



Ingenious Locking Technology for Cabinets and Enclosures

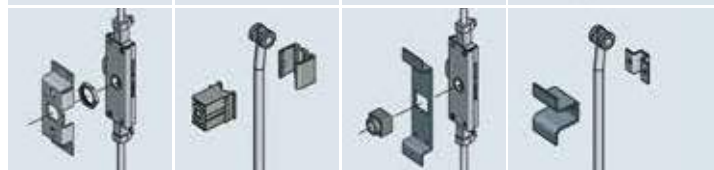
Introduction

List of contents

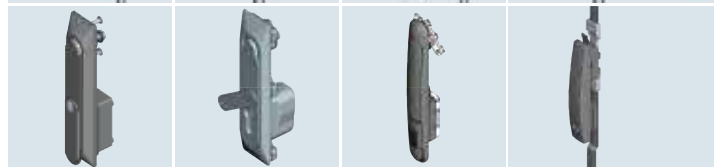
Quarter turns



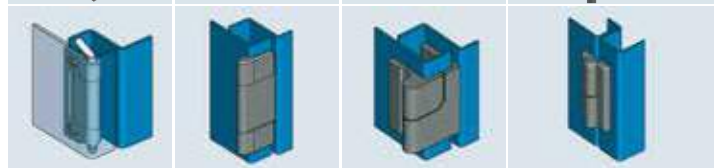
Rod controls



Locking systems



Hinges



Gasketing



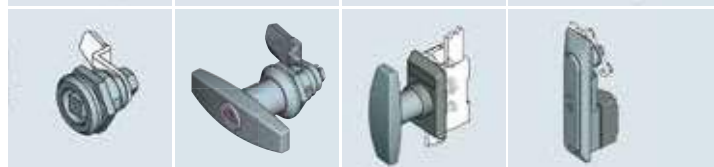
Handles



Aluminium windows



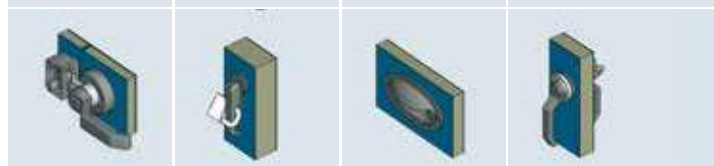
Stainless steel



Toggle latches



HVAC applications









Electronic Locking systems

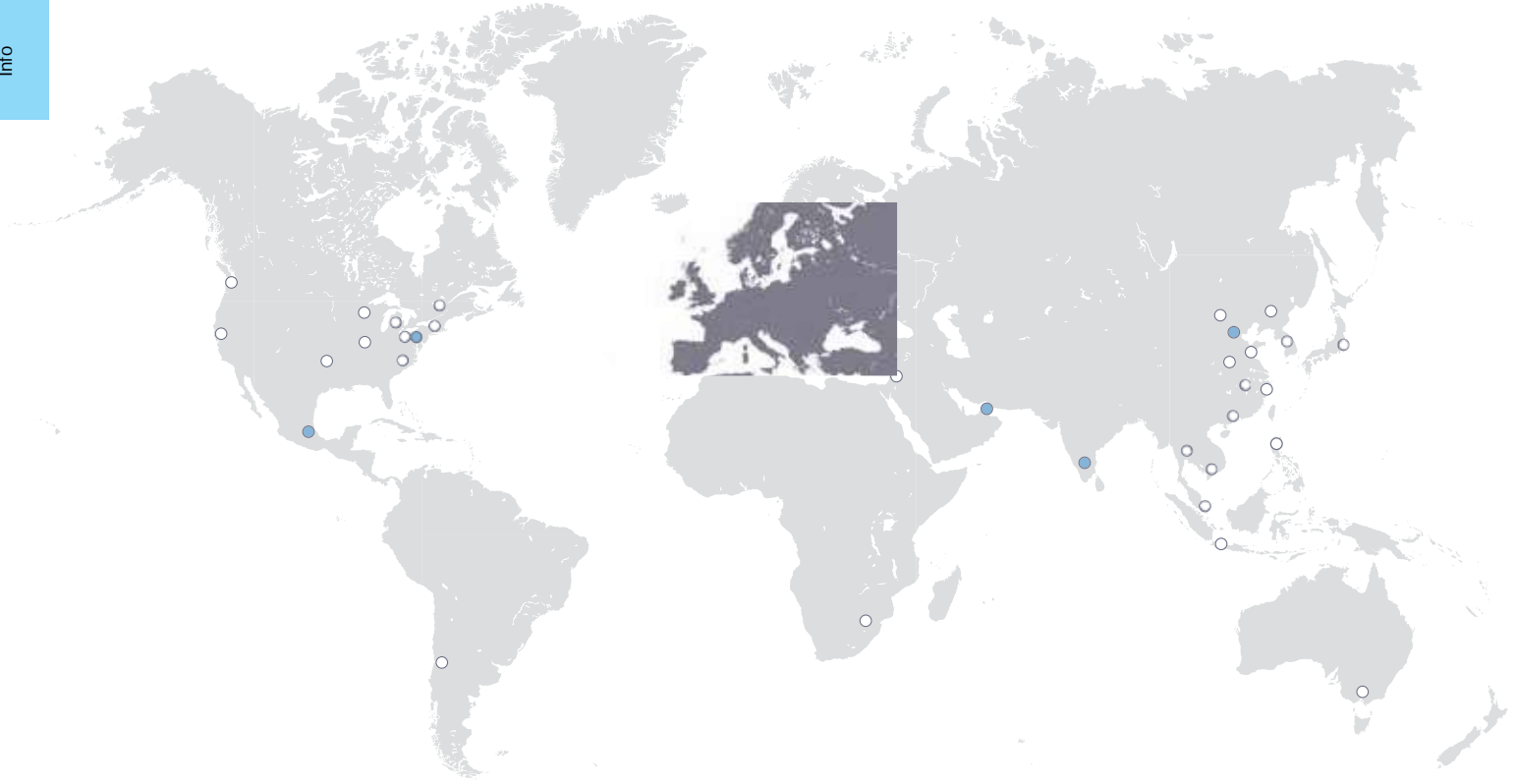


Miscellaneous



Index

				Introduction	EMKA worldwide Product Areas / Business Units Production from A to Z Meaning of icons / Online Product Search and CAD Download
				Quarter turns	Overview: 1-100 1A..... Quarter turns, small and medium version (Program 1012, 1022) 1B..... Quarter turns, standard version (Program 1000) 1C..... Accessories: cams, dust cap, rods, rod guides 1D..... Quarter turn (program 1500) 1E..... Quarter turns, different versions
				Rod controls	2A..... Latches for heavy duty, screw-on program 2B..... Latches for heavy duty, weld-on program
				Locking systems	Overview programs, matrix: 3-100 3A to 3N..... 1107 to 3000 3XA to 3XC..... Locking sets: modular sets, profile half cylinders 3YA up to 3YC... Rod controls, bearing bush, cams 3ZA up to 3ZC... Rods for rod control and rod gear outside or inside the gasketing; rod guides
				Hinges	Overview, matrix: 4-100 4A..... Hinges for prominent doors 4B..... Hinges for flush doors and aluminium profiles 4C..... Pin hinges
				Gasketing	5A..... Gasketing, closed cell sponge rubber, edge protection, window rubber profiles 5B..... Gasketing according to VDI 6022 5C..... EMC gasketing material
				Handles	6A..... Bow-type handles in different sizes, tube handles, hinged pattern handles (Program 1095) 6B..... Hinged pattern handles, with leaf spring, with insert piano wire torsion spring (Program 6040)
				Aluminium windows	7A..... Aluminium windows with or without frame (Program 1200) 7B..... EMKA PROflex: Aluminium window completely assembled or as kit for self assembly (Program 1210) 7C..... Aluminium doors (Program 1300)
				Stainless steel program	8A..... Locks: quarter turns, escutcheons, swinghandles, rods 8B..... Hinges for prominent or flush doors 8C..... Miscellaneous: bow-type handles, cover stays, door stops
				Toggle latches	9A..... Wire toggle latch, rigid wire toggle latch, spring loaded toggle latch, special toggle latch, adjustable toggle latch, catch plates (Program 6000)
				HVAC applications	10A..... Heavy duty latches, lift and turn latch, pull, pull with quarter turn, 180° hinge (Program 1091)
				EMKA Electronics	Separate brochure - NOT included in this catalog 11A..... ELM Security System: network solutions, 19" rack mount units, keypad, ELM combination handle with integrated keypad, sensors, accessories 11B..... Stand-alone Solutions: Keypad, combination handle with integrated keypad, accessories
				Miscellaneous	12A..... Locks/latches: Retractable handle, door lock, slam lock, snap lock 12B..... Keys 12C..... Cover stays and door stops 12D..... Accessories: panel mounting device, cable shunting ring, drawing pocket 12E..... Fixing material
				Index	Part numbers / pages represented worldwide



- Headquarters
- Production site
- Subsidiary
- Agencies



EMKA worldwide

Production in Europe



Company headquarters Velbert, Germany



Wuppertal, Germany



Henriville, France



Arnedo, Spain



Birmingham, UK



Goražde (Plant 1), Bosnia-Herzegovina



Goražde (Plant 2),
Bosnia and Herzegovina



Mionica, Serbia

Sales Worldwide



Kittsee, Austria



Interlaken, Switzerland



Bourré, France



Veghel, Netherlands



Bedzin (Katowice), Poland



Pastrengo, Italy



Arnedo, Spain



Coventry, UK



Jönköping, Sweden



Sibiu, Romania



Middletown, USA



Çerkesli-Dilovaşi (Istanbul),
Turkey



Tjanjin, China



Bangalore, India



Dubai, UAE

The EMKA GROUP is the world market leader for locking systems, hinges and gasketing that are used in switch and control cabinets. In the sectors HVAC, food technology and transport EMKA ranks among the leading manufacturers of locking technology.

Currently, the overall range comprises more than 15,000 articles, which are developed, manufactured, refined and assembled at eight production sites in Germany, France, Great Britain, Spain, Bosnia-Herzegovina and Serbia.

With 2,100 employees we serve over 30,000 customers in 52 countries worldwide.

Locking Systems



Locks/Latches



Hinges



Gasketing

Product areas

EMKA offers a comprehensive product range of ingenious locking technology from one source. The modular structure of the range facilitates a unique variety of products.

The high quality and product standards are guaranteed by an excellent manufacturing know-how and by the certified process control according to ISO 9001.



Industry

Transport

Electronics

Production

Business units

The EMKA group is divided into four business units which allow a clear focus on individual sectors and taylormade solutions for customers.

With its high level of in-house production, EMKA is in control of the entire production flow in every unit – from the concept to the finished product.



Injection Moulding



Punching, bending
and Metal Working



Zinc Die Casting



SST Precision Casting

Production from A to Z



PUR foam technology



Surface finishing



Extrusion of Profiles



Assembly of profiles

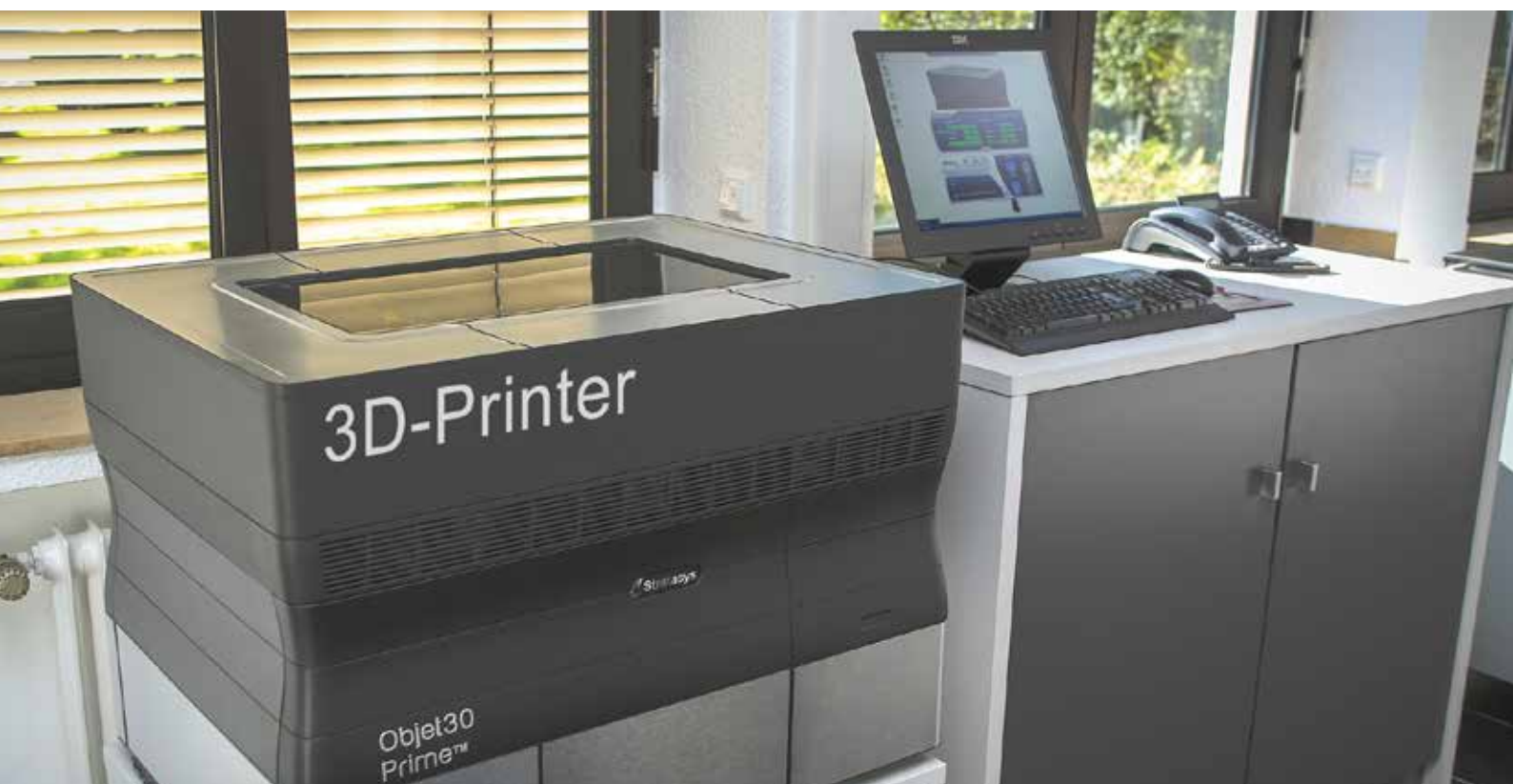
EMKA is an expert not only in stainless steel casting and in injection moulding of zinc and high performance plastics, but also in extruding rubber and plastic profiles.

Further production technologies include punching, bending, lathe machining, milling, coating and the final assembly of modular product solutions.

Thus, EMKA sets quality standards in locking technology.



Close communication
with the customer
from the idea to the product



In the EMKA Technology Centre the innovative products of tomorrow are created. 30 designers and design engineers convert ideas into finished products in close collaboration with the customer. Quite a few of these products are incorporated into the EMKA main catalogue which is thus strongly focused on the current market and customer needs. To this day round 20,000 additional special parts have been created in this way that were tailor-made for special customer requirements by our specialists, intensely tested in our internal test lab and finally produced by EMKA.

State-of-the-art CAD systems and development methods such as finite elements method, rapid prototyping and 3D print are only some of the processes that are used in this context. A powerful project management software completes the range of services.

You have got an idea?

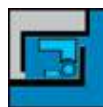
Together, let's make a product out of it!



Inside the gasketing



Outside the gasketing



Concealed hinge



Prominent hinge



Lift-off version hinge



Hinge limited lift-off version



Hinge for single cabinets



Hinge for in-line cabinets with single door



Hinge for in-line cabinets with double door



Door RH-version



Door LH-version



Door RH- and LH-version



IP-rating, such as IP 65



PUR-foamed seal



Compression specification of lock



With earthing or earthing possible



ELM Electronic Locking & Monitoring System application



Resistance class 2



2D nut in use



2D adjustable product



3D adjustable product



Assembly without tool



Clip-in assembling



Item with graffiti resistant paint



meets hygiene requirements acc. to DIN EN 1672-2



meets hygiene requirements acc. to DIN EN ISO 14159



Shock and vibration test according to DIN EN 61373



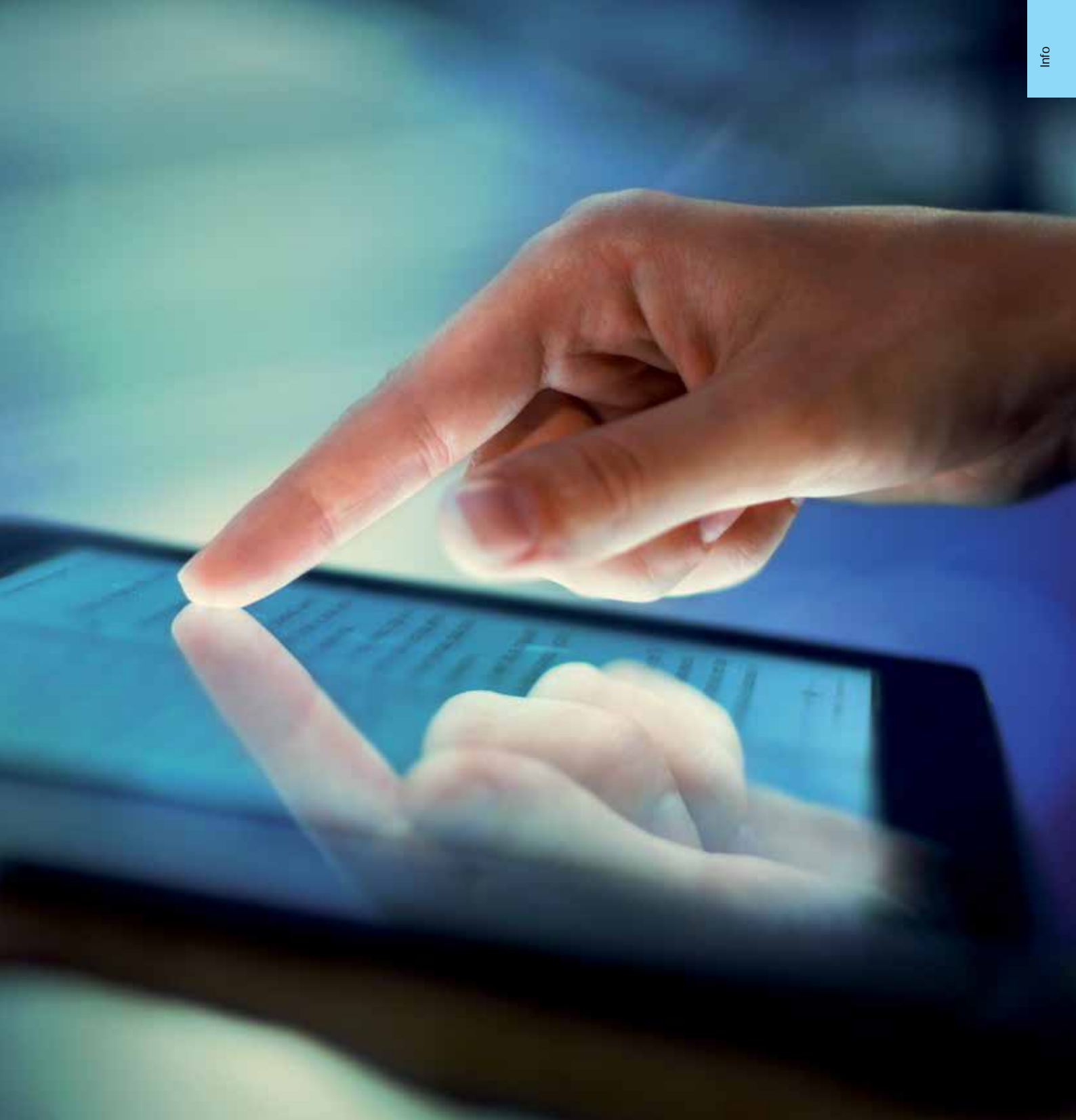
Plastic flame-resistant according to classification UL93



Stainless steel
AISI 303 resp. 1.4305
AISI 304 resp. 1.4301
AISI 316 resp. 1.4401
AISI 316 Ti resp. 1.4571

Meaning of the Icons

The icons on the catalogue pages show the special properties of the items presented there.



Online Product Search and CAD Download

Product search: Several methods lead to the catalogue page of the required item. Both the quick and direct way by entering the page number, item number or name and by using the extended search by means of selecting specific product properties.

CAD download: in the download area under www.emka.com, the CAD data of the EMKA products are made available in the international exchange formats STEP and IGES

General notes
All drawings are shown in right-hand version.
All dimensions mentioned are in mm.
Note for cut outs: All dimensions are final dimensions, please consider for surface coating.
All drawings are not to scale.
UL50 and UL94 HB listed products see chapter 5.
In case of weld-on part in the stainless steel area the material AISI 304 is can be welded on well.
With every round cylinder of zinc die, a key of nickel silver with handle polyamide GF black is supplied.
In case of assembling by the customer, the O-rings must be lubricated with O-ring suited grease.
Hardware maintenance: the high-quality EMKA hardware is going to work perfectly for decades if used appropriately. Complementarily, we recommend a regular use of lubricants suitable for the application, utilisation and material on all moving hardware components. This particularly applies for the outdoor use.
In case of self-adhesive items the surface to be used for attaching has to be free of grease and dirt.
The length of the profile half cylinder according to DIN 18252 is to be determined by the user corresponding to the lock.
We reserve the right to make changes in design and drawing.

Abbreviations	
A	= Distance
B	= Width
GH	= Length of housing
H	= Height
L	= Length
Th	= Door height
Ts	= Door gauge
T	= Material gauge
SW	= Width across flat
Fst	= Spring steel
Zinc die	= Die cast zinc
Ms	= Brass
m.s.	= Mild steel
GF	= Glass fibre
GTW	= malleable cast iron, white
PA	= Polyamide

Protection categories acc. to IEC 60 529

The IP protection category is characterised by 2 numbers. Example of protection category: e.g. IP 54.

First no.	Degrees of protection against contact and foreign bodies	Sec. no.	Degrees of protection against water
1	Protected against solid foreign objects Ø 50 mm and greater	1	Protected against vertically falling water drops
2	Protected against solid foreign objects Ø 12.5 mm and greater	2	Protected against vertically falling water drops when the enclosure is tilted up to 15
3	Protected against solid foreign objects Ø 2.5 mm and greater	3	Protected against spraying water
4	Protected against solid foreign objects Ø 1.0 mm and greater	4	Protected against splashing water
5	Dust-protected	5	Protected against water jets
6	Dust-tight	6	Protected against powerful water jets
		7	Protected against the effects of temporary immersion in water
		8	Protected against the effects of continuous immersion in water
		9K	Protected against high pressure and steam jet cleaning

Explanation of IP 69K

The IP Rating IP 69K was developed for the high pressure cleaning at high temperatures. The number "6" stands for the protection against the ingress of dust, the "9" for the protection in case of high pressure cleaning at small distances and the "K" for the high temperature of water used (hot water).

The protection class IP 69K was introduced in 1993 and is based on the standard DIN 40050-9.

The IP 69K test was initially developed to specify the protection of road vehicles against ingress of foreign substances as dust or dirt and against hot water jets.

The test conditions of the IP rating IP 69K require a pressure of 100 bar at a water flow rate of approx. 15 l/min and a temperature of 80°C.

The nozzle from which the water exits is at a distance of 10 cm to the object to be tested during the test.

The water jet is applied on the device under test at the angles of 0°, 30°, 60°, and 90°, for a duration of 30 seconds at each angle, while the device under test is rotated with 5 U/min on its own axis.

The paper of this catalogue is produced without chlorine bleaching.

Protection classes acc. to National Electrical Manufacturers Association (NEMA)

The UL classifications are not directly comparable with IP protection classes, since both the test conditions and the evaluation of the test results are different.

UL/NEMA	Description
1	Protection against the penetration of solid bodies.
3, 3R	Protection against the penetration of solid bodies, protection against the ingress of rain and dust and damage caused by icing.
3S	Protection against rain, snow and foreign bodies. External mechanisms remain usable despite being coated in ice.
4, 4X	Protection against rain, foreign bodies, splash water and hosed water and against damage caused by icing on the exterior of the enclosure.
12, 12K	Protection against dust deposits, foreign bodies and non-corrosive dripping liquids.
13	Protection against dust deposits, spray, oil, and non-corrosive coolants.

Stainless steel material specifications

Germany		USA	Japan	Unified Numbering System
W.-Nr.	DIN	AISI	JIS	UNS
1.4301	X5CrNi18-10	304	SUS 304	S 30400
1.4305	X8CrNiS18-9	303	SUS 303	S 30300
1.4310	X10CrNi18-8	301	SUS 301	S 30100
1.4401	X5CrNiMo17-12-2	316	SUS 316	S 31600
1.4571	X6CrNiMoTi17-12-2	316 Ti	SUS 316 Ti	S 31635

REACH, RoHS conformity and WEEE directive

Our company is represented worldwide and considers the protection of the environment and its natural resources to be a corporate duty. Not only before this background EMKA has been certified according to the environmental management standard DIN ISO 14001 for years.

Declaration regarding REACH conformity

Under the REACH regulation, EMKA is a manufacturer and supplier of products within the EEA (European Economic Area). EMKA does not manufacture or supply Substances or Preparations. All EMKA products do not involve the intentional release of substances. The compliance certificate is reviewed and eventually updated periodically according to the SVHCs new list published by ECHA.

EMKA products do not contain REACH Substances of Very High Concern (SVHC) in a concentration above the threshold value of 0.1%, as specified per ECHA Directive 1907/2006/EG (updated for SVHC candidates list from 15-June-2015).

Declaration regarding RoHS conformity

All products made by EMKA are RoHS compliant. This means that the substances restricted by the RoHS Directive 2011/65/EU (RoHS II) are not contained in finished products above the concentration limit at homogeneous material level stated in the RoHS Directive, unless the restricted substance is subject of an exemption contained in the RoHS Directive 2011/65/EU.

Declaration regarding WEEE directive

The products offered by EMKA are intended solely for B2B trade (in accordance with the WEEE-directive). After being used, they can be returned to us or disposed of by a commercial waste management company. A disposal through the municipal waste management system is not permitted! If products are returned to EMKA, we will see to their correct recycling or disposal.

Conflict Minerals Policy

EMKA is working towards ensuring that our products do not contain "conflict minerals 3TG (Tin, Tantalum, Gold and Wolfram)" that have been sourced from mines that support or fund conflict within the Democratic Republic of Congo or adjoining countries. We work closely with our suppliers to ensure the responsible sourcing of conflict minerals.

Tolerance of gaskets:

Gasket tolerance on the basis of DIN ISO 3302-1. Soft rubber usually according to "E2" and sponge rubber according to "E3".

PVC edge protection profile tolerance on the basis of DIN 16941-3B.

Some examples:

Nominal dimension		Tolerance class DIN ISO 3302-1 E2	Tolerance class DIN ISO 3302-1 E3
over	up to		
0	1,5	±0.25	±0.40
1,5	2,5	±0.35	±0.50
2,5	4,0	±0.40	±0.70
4,0	6,3	±0.50	±0.80
6,3	10	±0.70	±1.00
10	16	±0.80	±1.30
16	25	±1.00	±1.60
25	40	±1.30	±2.00
40	63	±1.60	±2.50

Nominal dimension		Tolerance class DIN 16941-3B
over	up to	
0	3	±0.40
3	6	±0.60
6	10	±0.70
10	18	±0.80
18	30	±1.00

The appropriate storage is important (optimal storage temperature +5°C to +20°C). For the storage of gaskets, attention should be paid to DIN 7716 (guidelines for storage, maintenance and cleaning of rubber products).

If possible, wrong storage in respect to long lay days or storing times should be avoided, since the mechanical characteristics may change.

Elastomers - operating temperatures and hardnesses:

Materials	Operating temperatures	Hardness(±5° Shore A)
EPDM	approx. -40°C to 100°C	25° (MG) to 90° (WG)
NBR	approx. -30°C to 100°C	25° (MG) to 90° (WG)
CR	approx. -25°C to 100°C	40° to 90°
PVC	approx. -40°C to 70°C	55° to 75°
Silicone	approx. -60°C to 180°C	10° to 90°

MG=sponge rubber / WG=soft rubber

Recommended compression for extruded sealing profile:

The compression of our sealing profiles should be 50% max., since otherwise the function (tightness) and the restoring forces are affected. In practice, the profiles are compressed between 30-50%.

It does not matter, whether it is a EPDM, NBR or a silicone profile. Here, the mechanical properties are (unlike the chemical resistances) quite comparable. If the gasket is deformed beyond these limits, there is the risk of the compression set (DVR) becoming too big, because the material deforms plastically as well.

Then the gasket would be designed too small.

Resistances:

Because of the large variety of possible chemicals, solvent (concentrations), operating temperatures and times, no evaluations concerning the possible resistances can be made at this point. In every individual case, a test under the present circumstances, like concentration, temperature and duration of the impact, is recommended.

Fire protection:

We supply materials certified according to the current fire protection standards for rail vehicles.

E. g. according to DIN EN 45545-2; NF F 16-101/ -102; NFPA 130

Whether the achieved categories fit to the respective requirements or vehicle classes has to be verified for the individual case.

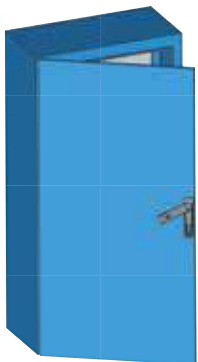
Generally speaking you can achieve higher fire protection classes with silicone profiles than with EPDM.

Disclaimer:

Communicated values are normally values determined at sample Sheets and correspond to our corresponding state of knowledge.



Explanation of the terms left hand/right hand door and locking direction



LH door
= Hinges are on the LH side

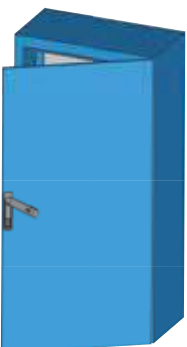


LH door with swing handle
= Opening direction is clockwise



LH door with escutcheon
= Opening direction is anti-clockwise

Illustration with closed door



RH door
= Hinges are on the RH side



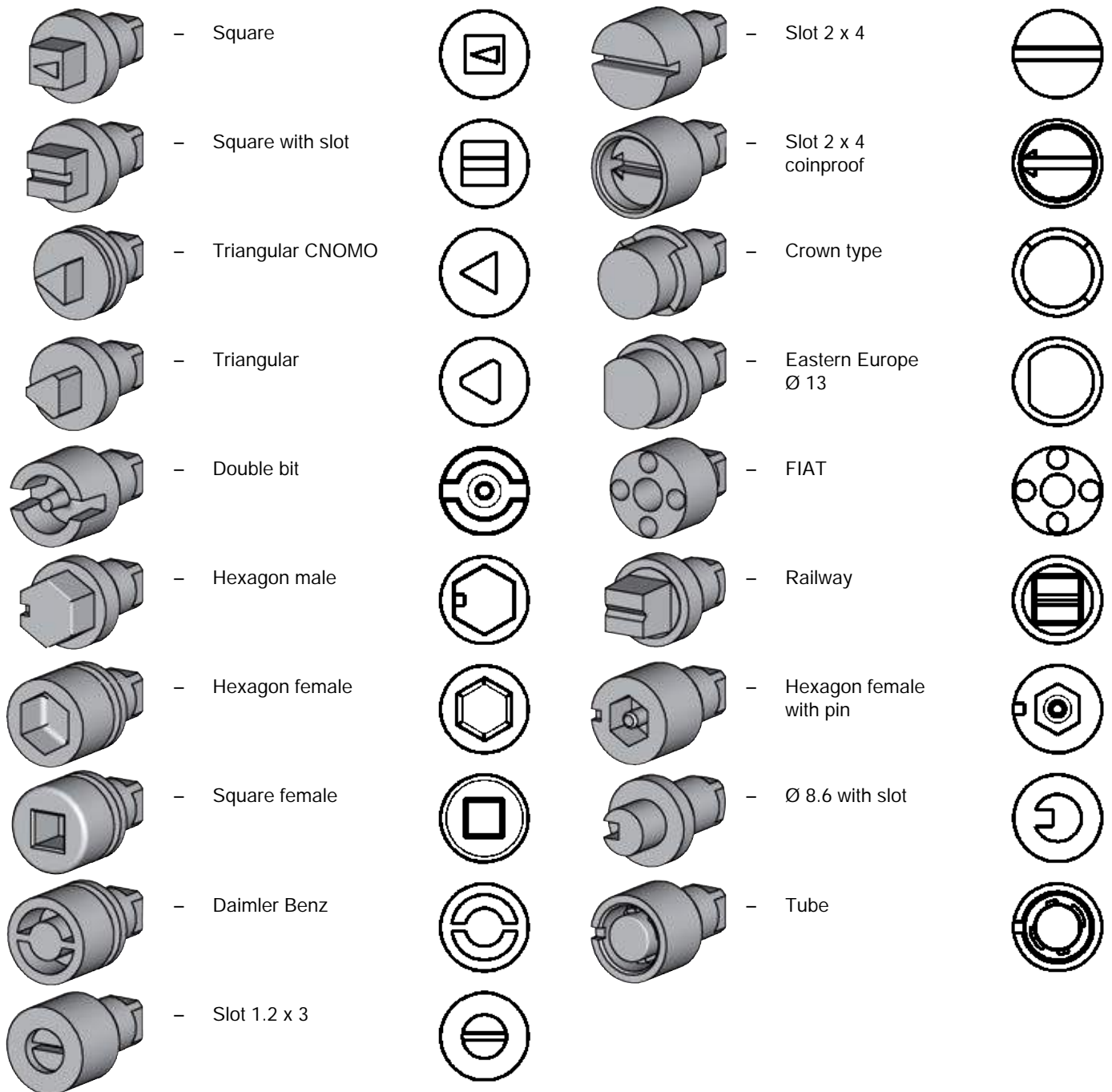
RH door with swing handle
= Opening direction is anti-clockwise



RH door with escutcheon
= Opening direction is clockwise

Overview of inserts

for quarter turns, escutcheons, swinghandles and further articles.

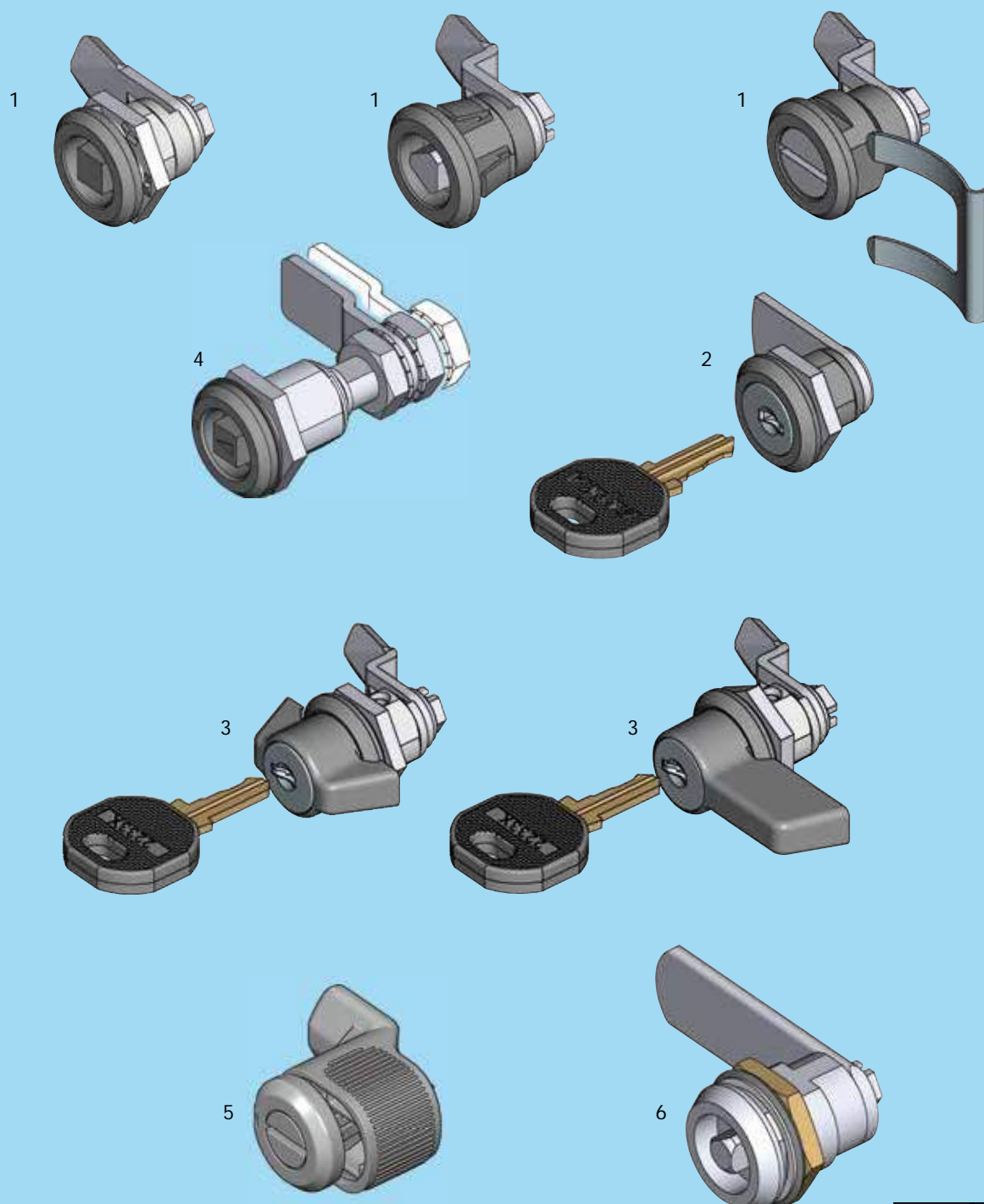


Further inserts on request!

Quarter turns

1022	1012	1000	1500	Beschlagteile
Quarter turn small version	Quarter turn medium version	Quarter turn standard version	Quarter turn plug-in version	
1A-100	1A-100	1B-100, 1C-100	1D-100	see page
•	•	•	•	Screw-in
•		•		Clip-in
•		•		With spring fixing
		•		Weld-on
			•	Clip-in
IP 65	IP 65	IP 65 / IP 66 / IP 69K	IP 65	Protection: IP
20 / 22	22	28 / 30 / 32 / □28	30	Head diameter
3	4	4 / 5 / 6 / 24	4 / 6	Head height
13,5	20	18-60	15 / 18	Housing length
•		•	•	Polyamide
•	•	•		Zinc die
		•		Mild steel
•		•		Stainless steel
•		•		Sealing separate
		•	•	Foamed sealing
		•	•	Cam polyamide
•	•	•	•	Cam m.s.
		•	•	Cam stainless steel
•	•	•	•	Insert
•		•	•	Round cylinder
•		•	•	Wing knob
		•	•	T-Handle
		•	•	L-Handle
		•		Radial cylinder
		•		Padlock
		•		Safety quarter turn
•		•		Compression latch
		•		Locking for fire brigade
		•		Railroad
		•		FIAT
		•		Quarter turn for Swedish power companies
		•		Slam cam
		•		Hooked lever assembly
•	•	•		Dust cap
		•		Finger pull
		•		Inside handle

Quarter turns small and medium version, Program 1012, 1022



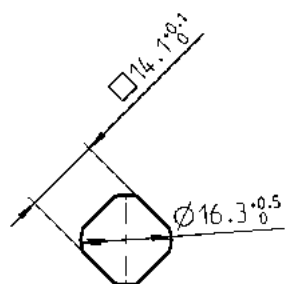
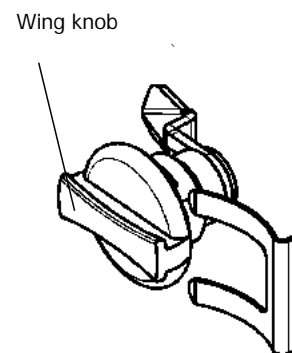
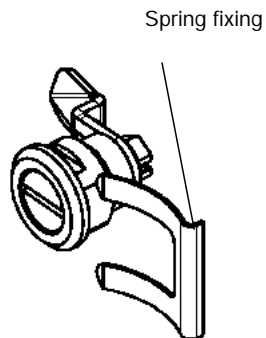
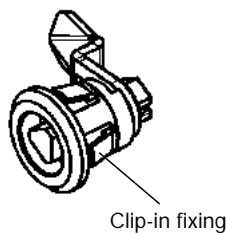
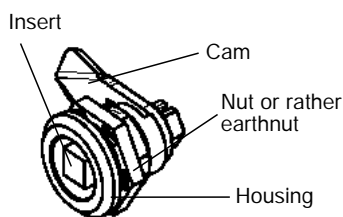
- | | | |
|---|------------------------------------|--------|
| 1 | Quarter turns with insert | 1A-120 |
| 2 | Quarter turn with cylinder | 1A-160 |
| 3 | Wing knob | 1A-140 |
| 4 | Compression latch | 1A-220 |
| 5 | Quarter turn assembly without tool | 1A-320 |
| 6 | Quarter turns with insert | 1A-420 |



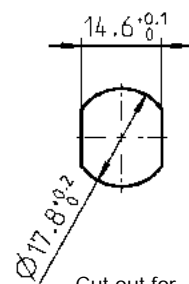
1A-100

Quarter turn, small version

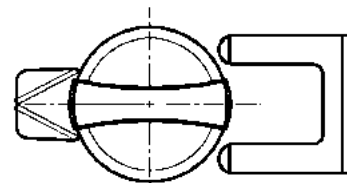
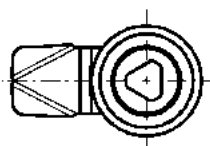
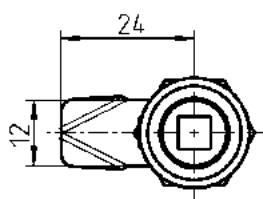
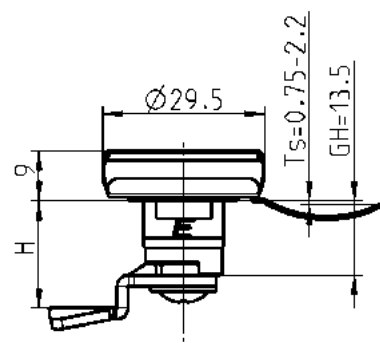
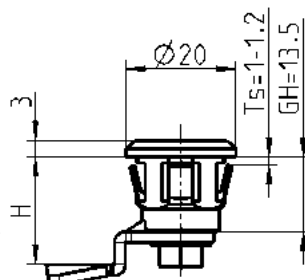
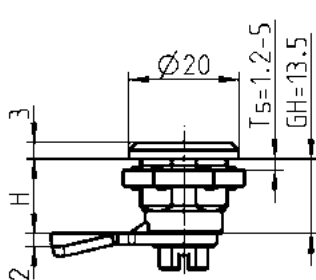
PROGRAM 1022



Cut out for nut and clip-in fixing



Cut out for spring fixing



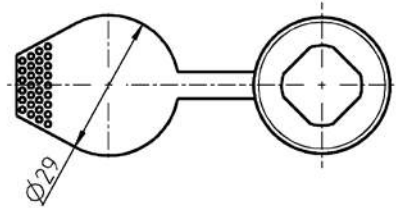
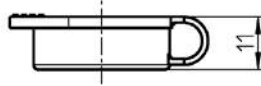
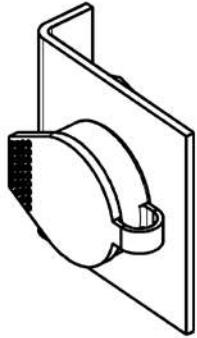
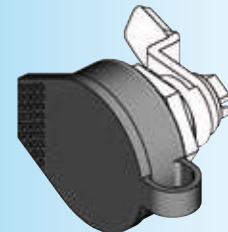
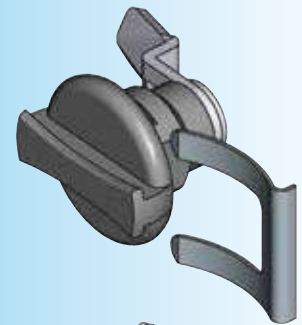
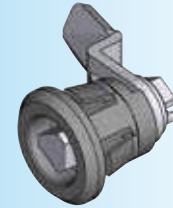
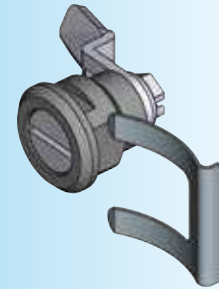
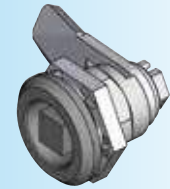
Housing zinc die, PA or stainl. st.; nut or spring fixing m.s. zinc plated or stainless steel;
with seal (only for stainless steel Version)

	Zinc die chrome plated	Zinc die black powder coated	Stainless steel AISI 303	Polyamide black	
with nut ¹⁾ m.s. ²⁾ AISI 303	1022-U8 ¹⁾	1022-U46 ¹⁾	1022-U60 ²⁾	1022-U71 ¹⁾	
with earthnut m.s.	1022-U9	1022-U47	-	-	
Clip-in fixing	-	-	-	1022-01-02	
With spring fixing	1022-U76	1022-U77	-	1022-U78	

Insert zinc die, Polyamide or stainless steel; fixing material m.s. zinc plated;
with seal (only for stainless steel version)

					Key zinc die black
Square 6	1022-U2	1022-U44	1022-U61	1022-U72	1004-20
Triangular 6,5	1022-U1	1022-U43	1022-U62	1022-U73	1004-21
Slot 1,5 x 3	1022-U3	1022-U45	1022-U63	1022-U74	-
Blank	1022-U4	-	1022-U64	1022-U75	-
Wing knob	-	-	-	1022-U82	-

Accessories



Attention:
Not suitable for housings with spring or clip-in fixing.

Cam on choice, t = 2

	m.s. zinc plated	AISI 304
H = 7,5	1022-20	1022-20-PC
13,5	1022-07	1022-07-PC
19,5	1022-08	1022-08-PC

IP 65 with:

- O-ring (included in case of stainless steel Version)		1022-09
- flat seal (only for screw-on housing, included in case of stainless steel version)		1022-10

Assembling on request

without O-ring		1022-990
with O-ring		1022-991

Accessories

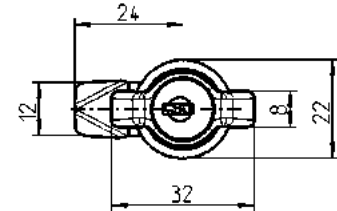
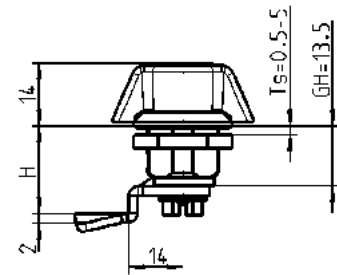
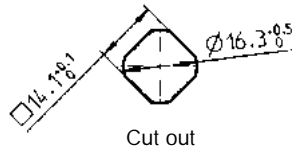
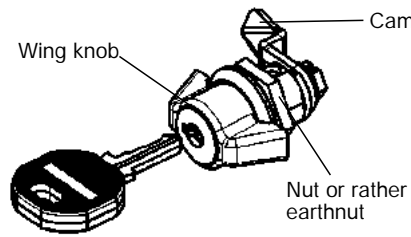
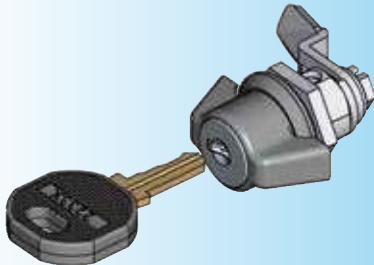
Dust cap polyethylene black		1022-23-01
-----------------------------	--	------------

Attention:
By using the dust cap 1022-23-01 dimension H will be reduced by 2 mm
Not suitable for housings with spring or clip-in fixing

Application area:
Small doors and panels

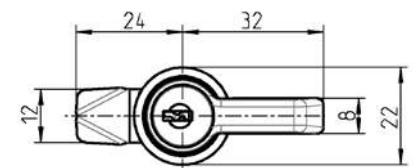
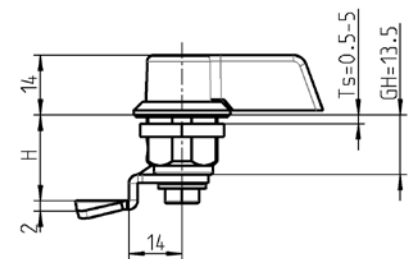
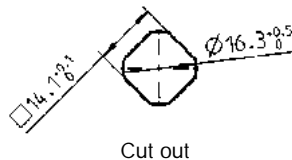
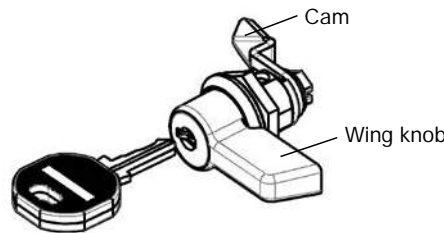
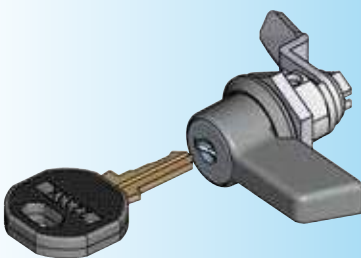
Wing knob quarter turn, small version PROGRAM 1022

Beschlagteile



Wing knob with housing zinc die, round cyl. zinc die with stainless steel cap, nut or earth nut and screw m.s. zinc plated.
Each round cylinder has one silver steel key with polyamide grip GF black.

non locking *	keyed alike 2233X	keyed different		non locking *	keyed alike 2233X	keyed different
chrome plated				black powder coated		
1022-U29	1022-U31	1022-U33	Nut	1022-U37	1022-U39	1022-U41
1022-U30	1022-U32	1022-U34	Earthnut	1022-U38	1022-U40	1022-U42
Cam m.s. zinc plated, t = 2						
H = 7.5	1022-20	H = 13.5	1022-07	H = 19.5	1022-08	



Wing knob with housing zinc die, round cyl. zinc die with stainless steel cap, nut or earth nut and screw m.s. zinc plated.
Each round cylinder has one silver steel key with polyamide grip GF black.

non locking *	keyed alike 2233X	keyed different		non locking *	keyed alike 2233X	keyed different
chrome plated				black powder coated		
1022-U48	1022-U50	1022-U52	Nut	1022-U54	1022-U56	1022-U58
1022-U49	1022-U51	1022-U53	Earthnut	1022-U55	1022-U57	1022-U59
Cam m.s. zinc plated, t = 2						
H = 7.5	1022-20	H = 13.5	1022-07	H = 19.5	1022-08	

* = IP 65

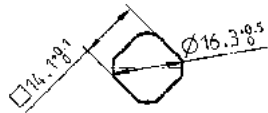
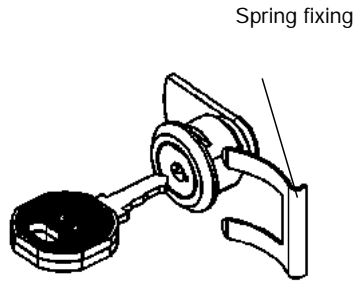
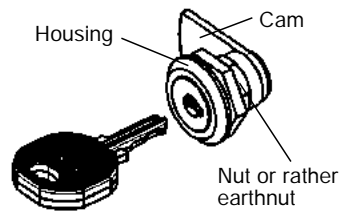
Application area:
Small doors and panels

Further parts see page
– Spare key 12B-140

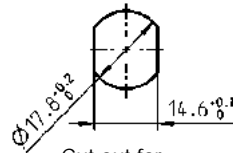
Cylinder quarter turn, small version

PROGRAM 1022

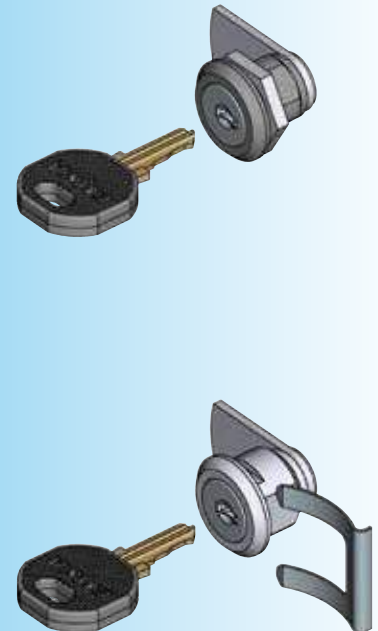
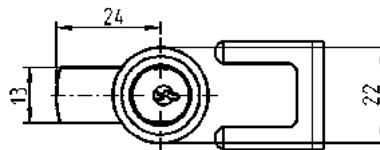
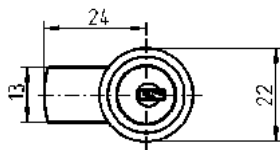
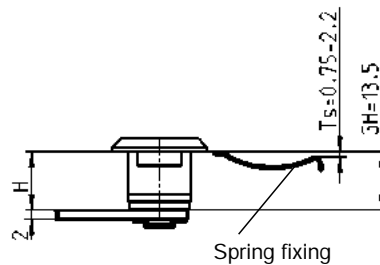
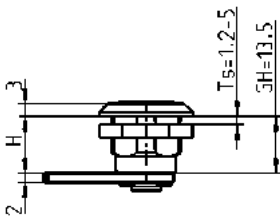
Beschlagteile



Cut out for nut fixing



Cut out for spring fixing

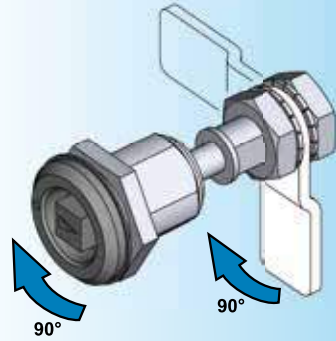


Cylinder quarter turn material on choice, zinc die chrome plated or polyamide GF black, round cylinder zinc die with stainless steel cap, nut or earthnut and safety washer m.s. zinc plated
 1) with one key silver steel and polyamide GF grip black
 2) with one key m.s. nickel plated

	H	Zinc die with nut	Zinc die with earthnut	Polyamide with nut
		1)	1)	2)
keyed 2233X	7,5	1022-U16	1022-U22	1022-U65
	13,5	1022-U17	1022-U23	1022-U66
	19,5	1022-U18	1022-U24	1022-U67
keyed different	7,5	1022-U19	1022-U25	1022-U68
	13,5	1022-U20	1022-U26	1022-U69
	19,5	1022-U21	1022-U27	1022-U70
	H	Zinc die with spring fixing		
		1)		
keyed 2233X	7,5	1022-U10		
	13,5	1022-U11		
	19,5	1022-U12		
keyed different	7,5	1022-U13		
	13,5	1022-U14		
	19,5	1022-U15		

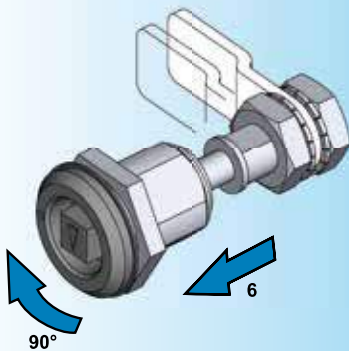
Application area:
Small doors and panels

Further parts see page
– Spare key 12B-140



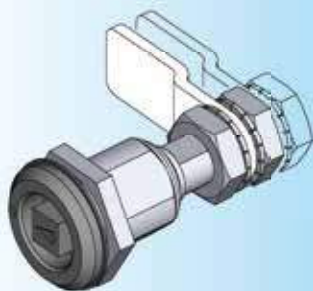
Open condition

The first 90° of rotation of the insert also turns the cam 90°.



Closed position

The second 90° of rotation of the insert draws the cam toward the door 6 mm axially.



Compressed condition

Unlock:

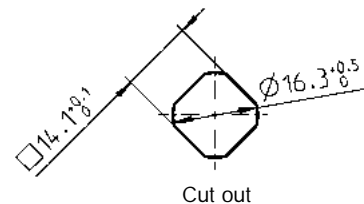
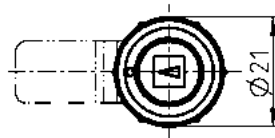
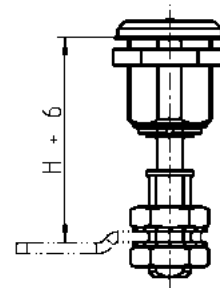
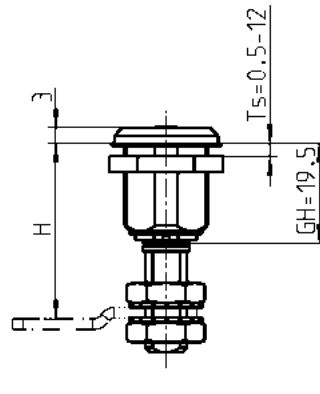
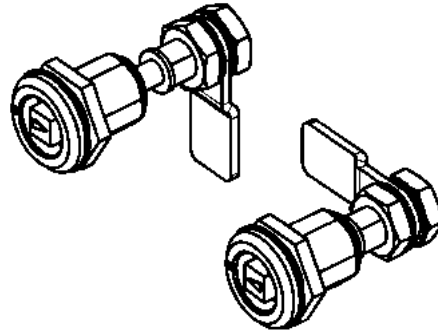
Reversed rotation

Further parts see page

- Dust cap 1A-120
- Cam 1A-240
- Key 12B-120

Vibration proof

These latches are designed to be vibration resistant with a distinct "over-center" action. There may be some cases of extreme vibration where this detent is overcome. Therefore we recommend rigorous testing.

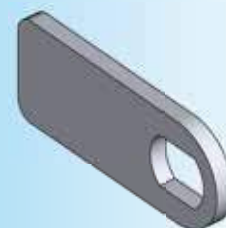
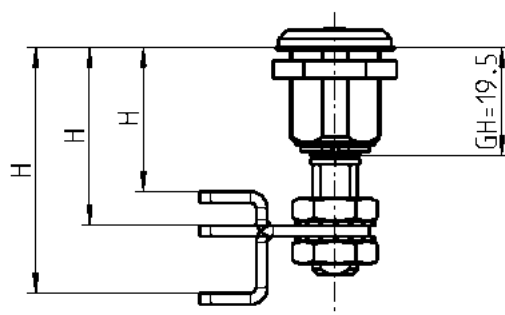
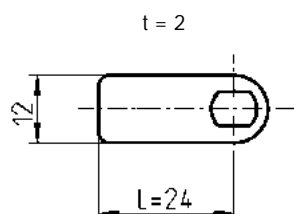


max. torque 2.5 Nm

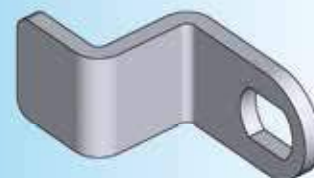
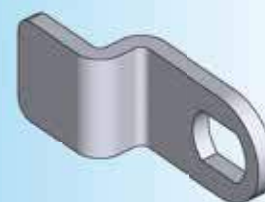
Housing and insert zinc die,
shaft and nut m.s. zinc plated,
with spring and seal

	black powder coated	chrome plated
Square 6	1022-U83	1022-U83-IA
Triangular 6.5	1022-U85	1022-U85-IA
Hexagon female SW 5	1022-U94	on request
Slot 1.5 x 3	1022-U84	1022-U84-IA

Cam m.s. zinc plated for compression latch PROGRAM 1022



straight cam



cranked cam

Cam m.s. zinc plated

for GH = 19.5

	H	GH = 19.5
straight	25.5 - 32.5	1022-49
cranked 6 mm	19.5 - 26.5; 31.5 - 38.5	1022-50
cranked 12 mm	13.5 - 20.5; 37.5 - 44.5	1022-51

Note:

Cranked cams are reversible

Further parts see page

– Compression latch 1A-220



Patented, self-sealing design

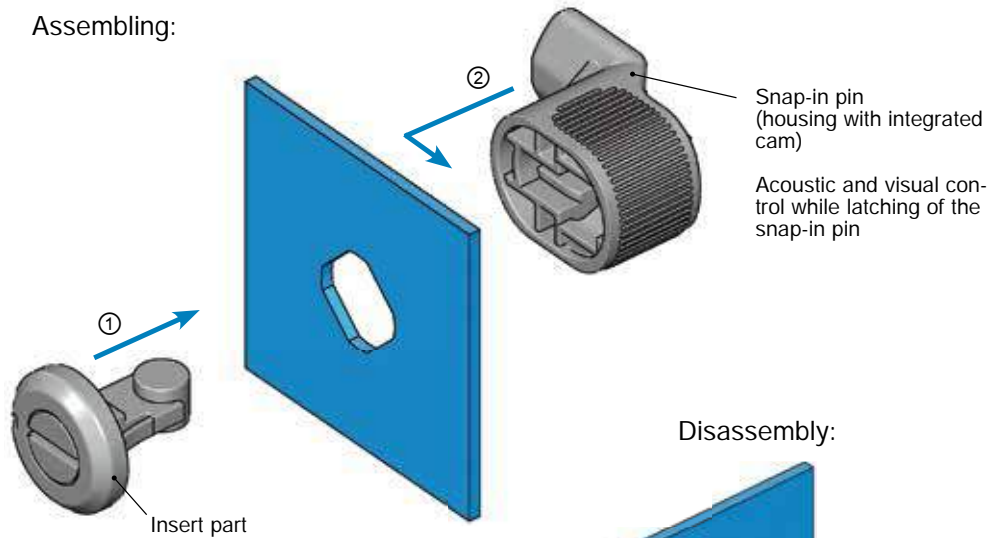
Assembly and disassembly without tools

Assembly note:

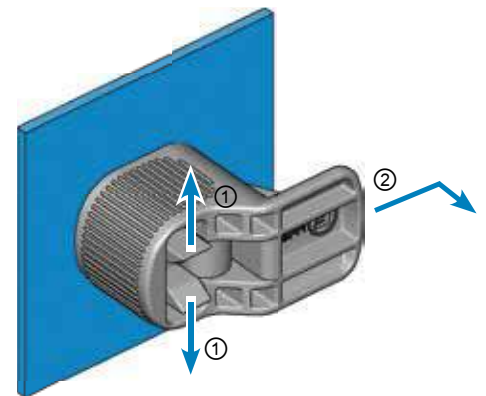
Assembly door stop on the right: Pre-mounted insert part is inserted in the cut out when closed. Then fixed with snap-in pin.

Assembly door stop on the left: Pre-mounted insert part is inserted in the cut out when opened. Then fixed with snap-in pin.

Assembling:

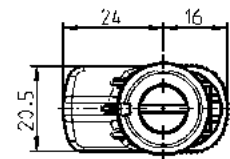
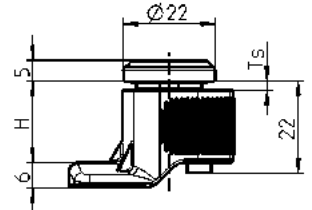
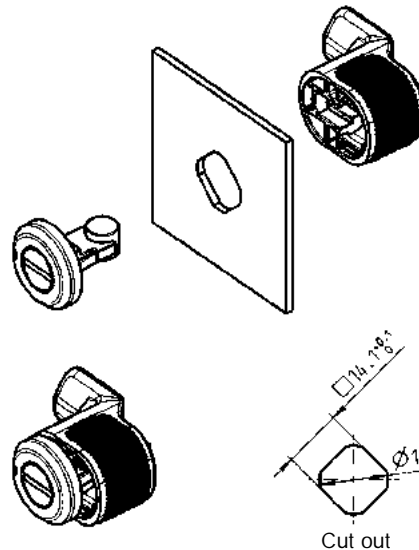


Disassembly:



Note! IP 69K test passed!

The basic principle of the patented solution is: the higher the closing force, the greater the tightness. The IP 69K Rating was achieved in the test with a cam pretension of ≥ 1 mm and ≥ 65 N



Insert part polyamide GF black; with seal

Square 6	1022-U89
Triangular 6.5	1022-U90
Slot 1.5 x 3	1022-U91

Snap-in pin polyamide GF black

Ts	H	
0.5 - 1.0 including surface coating	7,5	1022-56-01
	13,5	1022-56-02
	19,5	1022-56-03
1.0 - 1.5 including surface coating	7,5	1022-55-01
	13,5	1022-55-02
	19,5	1022-55-03
1.5 - 2.0 including surface coating	7,5	1022-54-01
	13,5	1022-54-02
	19,5	1022-54-03

Other door thickness on request!

Other snap-in pin on request!

Further parts see page

– Key 12B-120

Quarter turn with built-in options, medium version

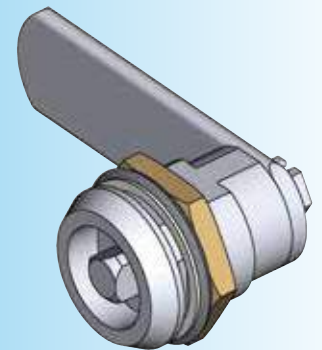
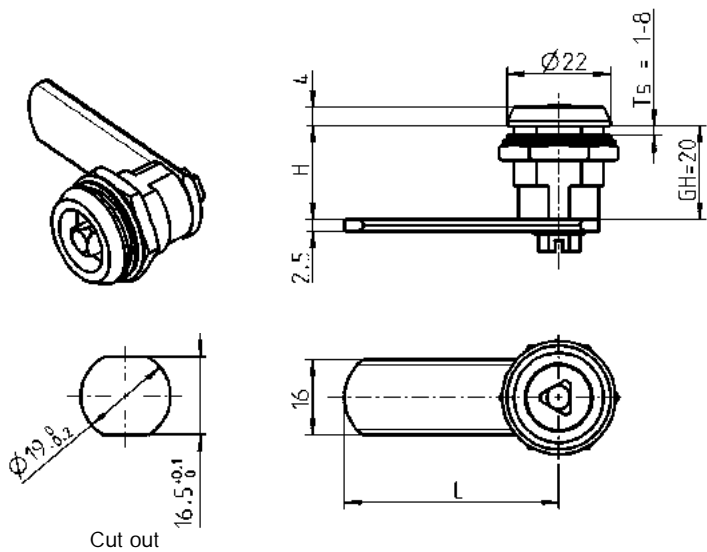
PROGRAM 1012

Beschlagteile



RL

IP 65



This quarter turn has two options.

Version A:

Push cam back using insert and turn. Cam snaps into place. Vibration proof op.

Version B:

Turn insert for standard quarter turn operation.

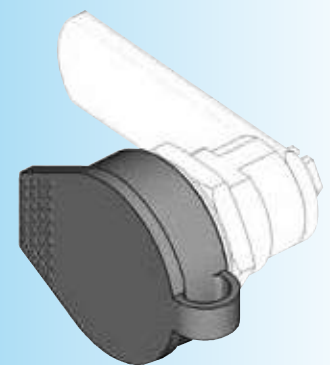
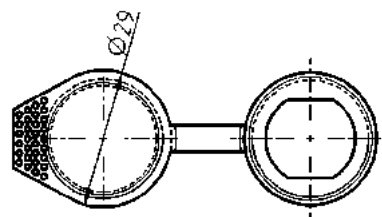
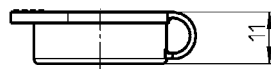
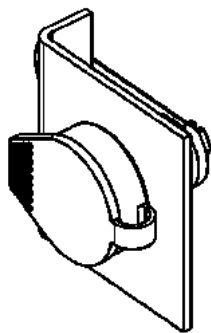
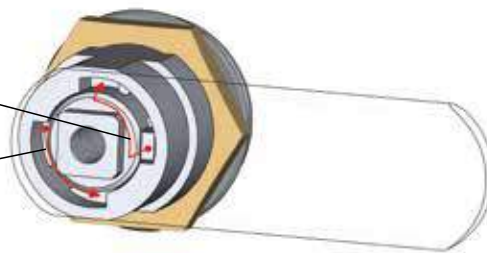
Note:

The quarter is of a vibration-proof design. This depends on the installation location and operational conditions. Specific checks are necessary and/or supplementary measures of fastening required.

2 in 1

Version A

Version B



Complete quarter turn:
Housing with insert zinc die nickel plated,
Nut brass, screw m.s.zinc plated
with spring and seal

Key

Square 7	1012-U2	1004-36
Triangular 6.5	1012-U1	1004-21
Double bit 3	1012-U3	1004-34
Slot 2 x 2.5 coinproof	1012-U4	-

Cam m.s. zinc plated

H = 20 ; L = 46 1012-05

Lock washer Fst zinc plated

1012-06-JG

Dust cap polyethylene black

1012-08

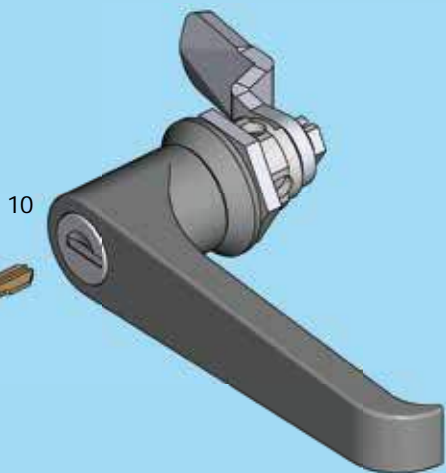
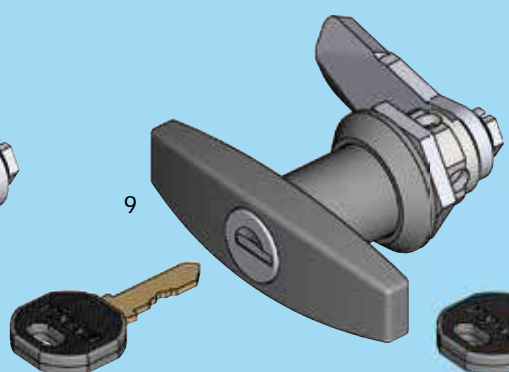
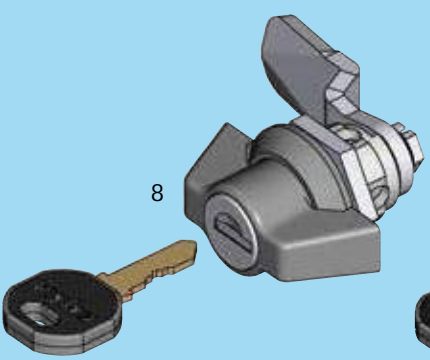
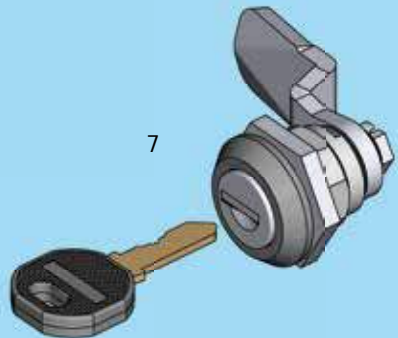
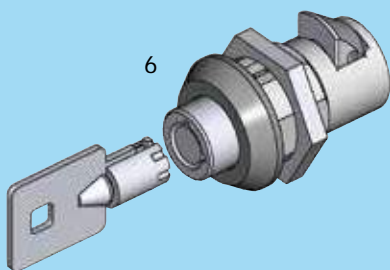
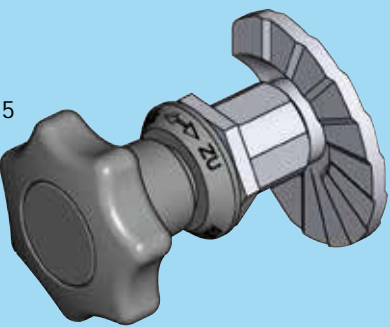
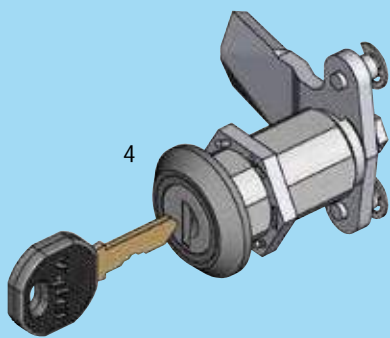
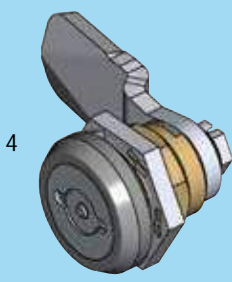
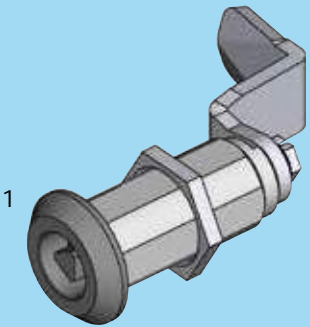
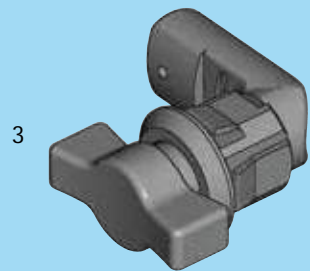
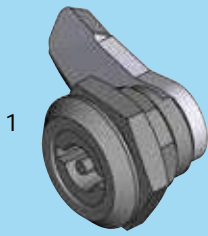
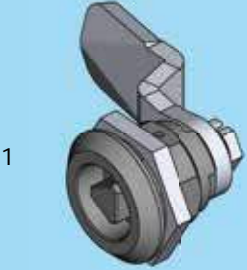
Attention:

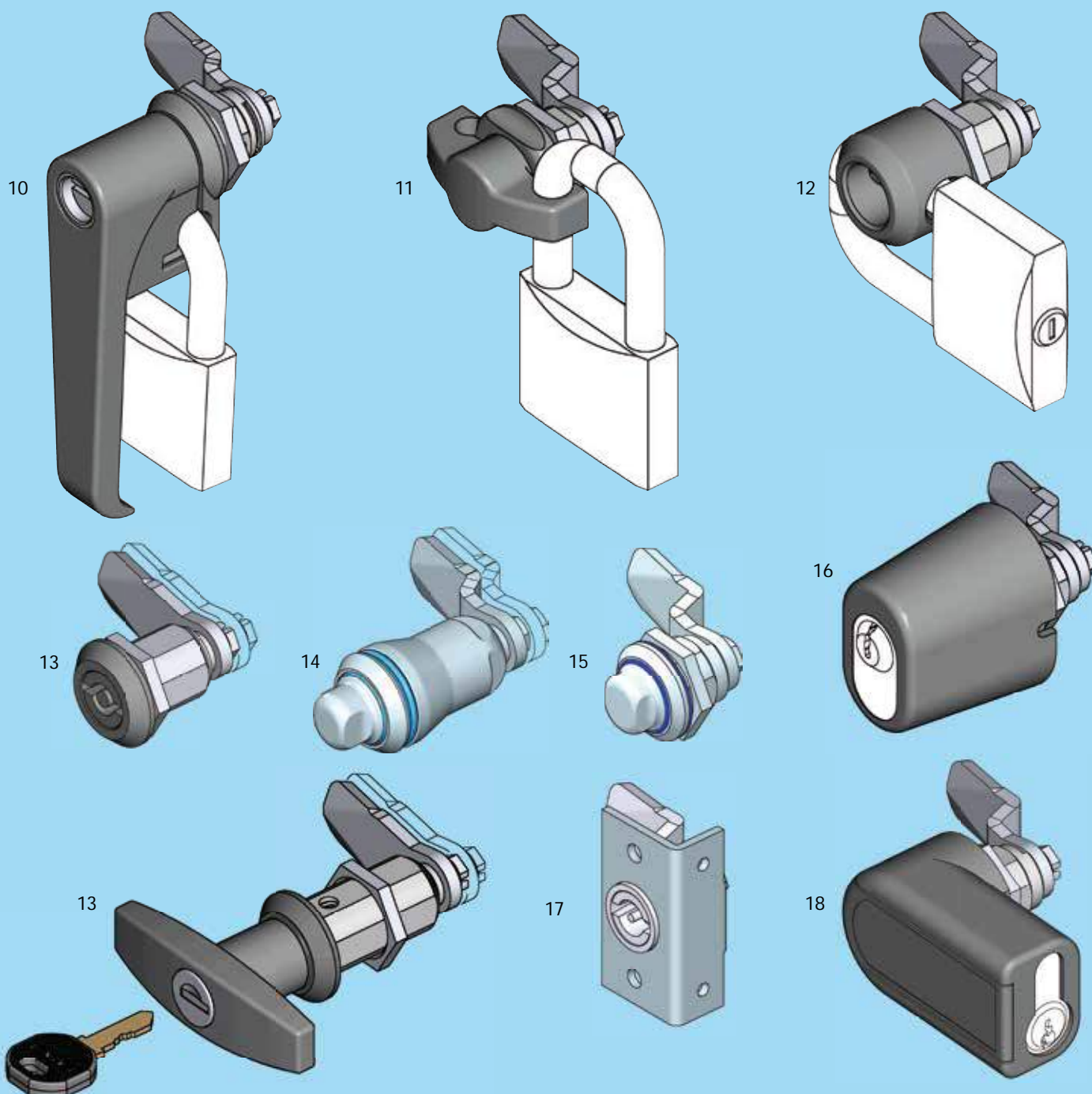
When using dust cap 1012-08, the H dimension is reduced by 2 mm

Other inserts on request!

Cams with other dimensions (H and L) on request.

Quarter turns large version, Program 1000

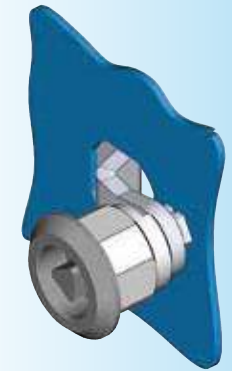
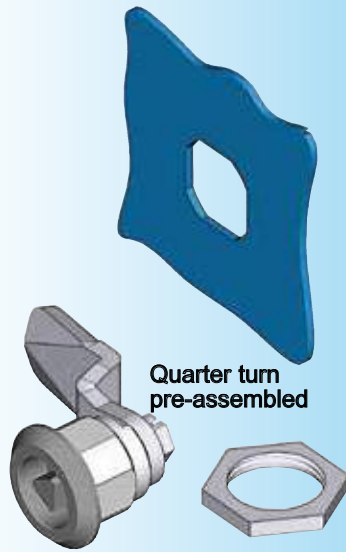




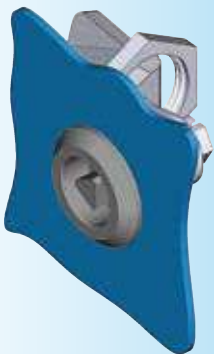
- | | | |
|----|--|--|
| 1 | Quarter turn screw-on e.g. with insert | 1B-120 up to 1B-360, 1B-680 up to 1B-860 |
| 2 | Quarter turn with spring fixing e.g. with insert | 1B-160 |
| 3 | Clip-in quarter turn e.g. with wing knob | 1B-160, 1B-760 |
| 4 | Safety quarter turn | 1B-320 up to 1B-360 |
| 5 | Quarter turn with stepped cam | 1B-240 |
| 6 | Radial pin-push cylinder | 1B-380 |
| 7 | Quarter turn with cylinder | 1B-420 |
| 8 | Wing knob | 1B-540 |
| 9 | T-Handle | 1B-520, 1B-560 |
| 10 | L-Handle | 1B-580 up to 1B-640 |
| 11 | Quarter turn for padlock | 1B-680 |
| 12 | Quarter turn with padlockable housing | 1B-680 |
| 13 | Compression latch | 1B-220 up to 1B-235 |
| 14 | Stainless steel compression latch for hygienic areas | 1B-837 |
| 15 | Quarter turn for hygienic areas | 1B-835 |
| 16 | Wing knob for ASSA-cylinder | 1B-840 |
| 17 | Quarter turn screw-on or weld-on | 1B-820 |
| 18 | Quarter turn for profile half cylinder | 1B-850 |



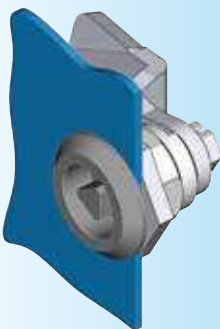
1B-100



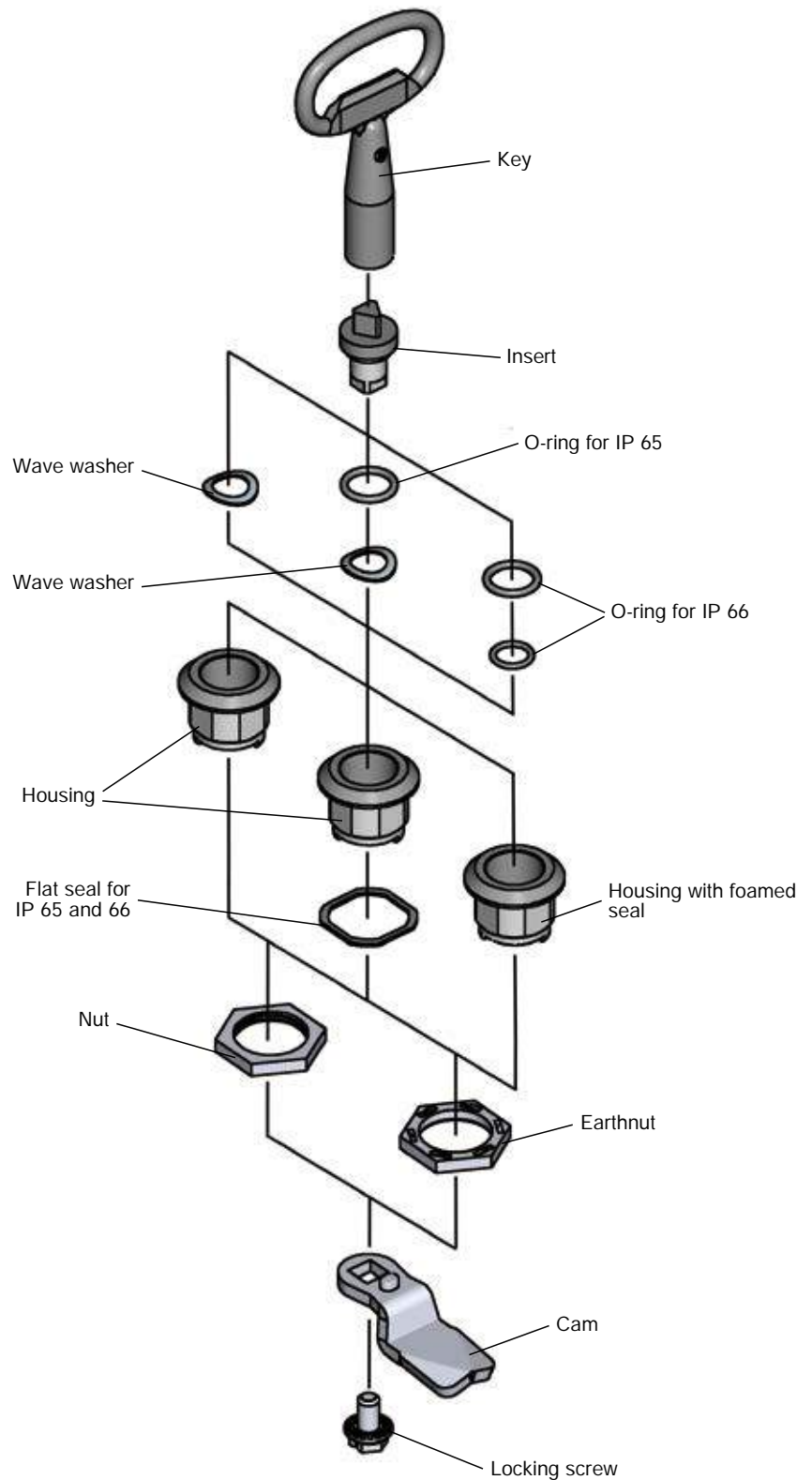
Pass through cut out



Assemble the nut



Ready for operating



Screw-in safety earthing quarter turn program

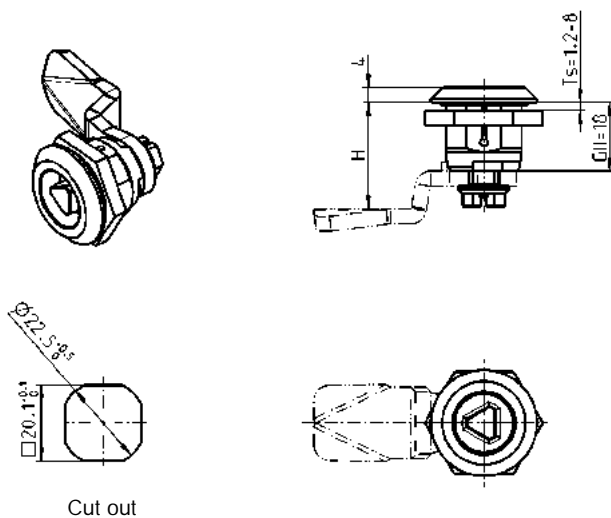
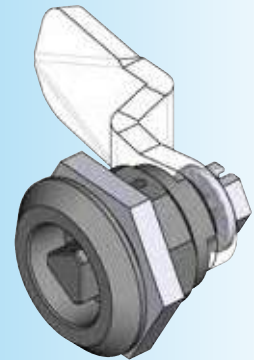
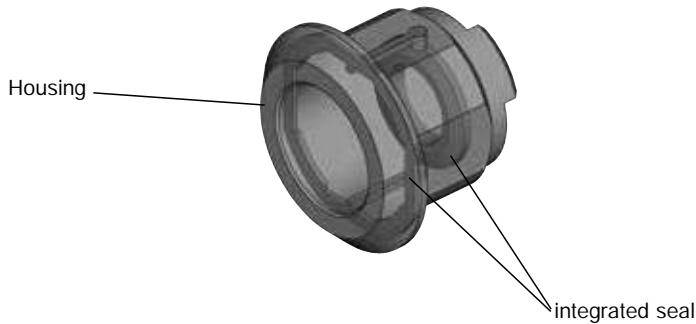
By use of the afore mentioned earthnut our screw-in quarter turn is in accordance to the standard VDE-regulation 0660/part 5.

The earthnut is produced with teeth, which under pressure removes the enamel in a limited way and ensure metallic continuity (earthing).

Standard nuts do not meet this requirement due to the high quality of the enamel.

Quarter turn with integrated IP 65 seals

PROGRAM 1000



Housing polyamide 6 GF 30 black with integrated TPE seal* with nut m.s. zinc plated

Head diameter	28	32
Head height	4	6
	1000-U155-D	1000-U46-D

Insert polyamide 66 GF 50 black with screw m.s. zinc plated

Square 7	1000-U184-N2
Square 8	1000-U185-N2
Triangular 8	1000-U186-N2
Double bit 3	1000-U187-N2
Double bit 5	1000-U188-N2
Slot 2 x 4	1000-U196-N2

Assembling on request

1000-990

* The TPE seal provides protection against penetration of water, aqueous solution (15 %), sulphuric acid (98 %), hydrochloric acid and caustic soda. A very good resistance against hydrolysis is provided. In case of prolonged contact with oil and fuel then the problem of swelling or hardening could arise. Occasional lubrication will not create problems.

Attention:

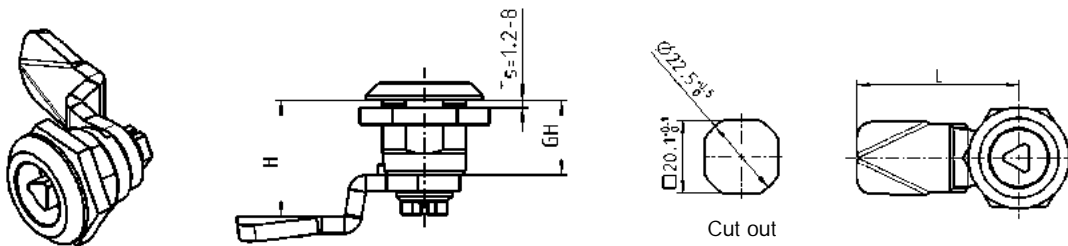
In case of assembling by the customers the insert must be lubricated (Vaseline).

Further parts see page

– cam with catch	up to	1C-120
– Accessories	from	1C-180
– Escutcheon		3B-140
– Key		12B-120

Quarter turn; Housing GH = 18 and 30 - 60; Insert; Seal

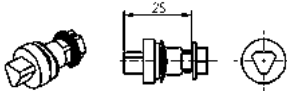
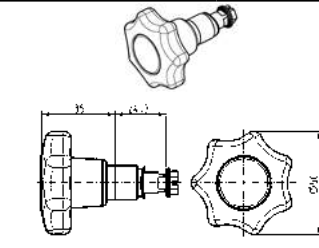
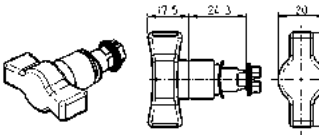
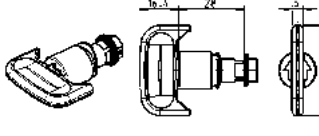
PROGRAM 1000

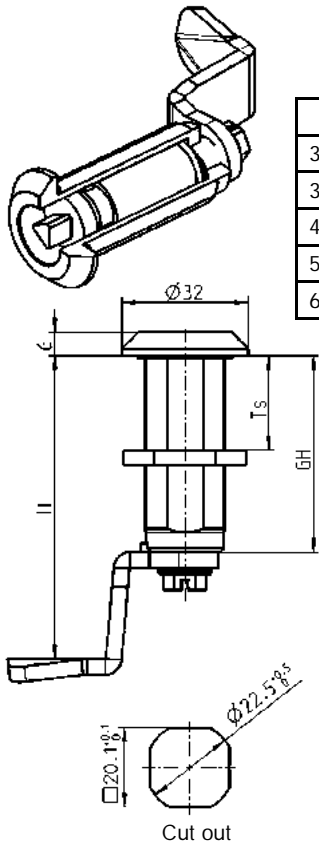


Housing with nut or earthnut m.s.zinc plated

Head diameter	Ø28		Ø30		Ø32		Ø28	
GH = 18 mm	4		4		6		4	
Head height	Nut	Earthnut	Nut	Earthnut	Nut	Earthnut	Nut	Earthnut
Zinc die chrome plated	1000-U45	1000-U56	1000-U47	1000-U55	1000-U7	1000-U54	1000-U330	1000-U332
Zinc die chrome plated (with foamed seal)	1000-U45-G	1000-U56-G	1000-U47-G	1000-U55-G	1000-U7-G	1000-U54-G	-	-
Zinc die black powder coated	1000-U223	1000-U224	1000-U221	1000-U222	1000-U219	1000-U220	1000-U331	1000-U333
Zinc die black powder coated (with foamed seal)	1000-U223-G	1000-U224-G	1000-U221-G	1000-U222-G	1000-U219-G	1000-U220-G	-	-
Polyamide GF V0 black	1000-U155	-	-	-	1000-U46	-	-	-
Polyamide GF V0 black (with foamed seal)	1000-U155-G	-	-	-	on request	-	-	-
Stainless steel AISI 303 (with foamed seal)	1000-U134	-	-	-	-	-	-	-
Stainless steel AISI 316 (with foamed seal)	1000-U530	-	-	-	-	-	-	-

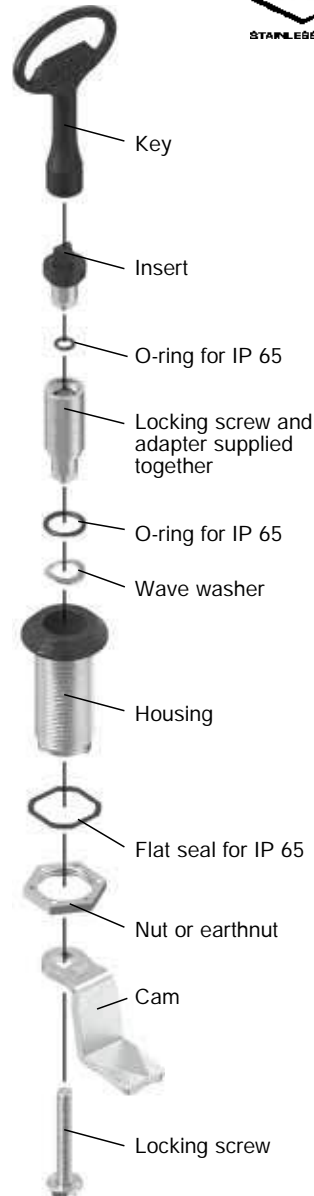
Insert zinc die, polyamide or stainless steel; Fixing material m.s. zinc plated or stainless steel; with seal (only for stainless steel version)

	Zinc die chrome plated	Zinc die black	Polyamide 66 GF 50 black	Stainless steel AISI 303	Stainl.steel AISI 316
 Insert	1000-U17	1000-U322	-	1000-U351	-
Square 6	1000-U1	1000-U323	1000-U184-N	1000-U135	1000-U531
Square 7	1000-U2	1000-U324	1000-U185-N	1000-U136	1000-U532
Square 8	1000-U18	-	-	1000-U352	-
Square 8 slotted	1000-U197	-	-	-	-
Triangular 6.5 CNOMO	1000-U3	1000-U325	-	1000-U334	1000-U536
Triangular 7	1000-U4	1000-U326	1000-U186-N	1000-U335	1000-U537
Triangular 8	1000-U194	-	-	-	-
Triangular 9	1000-U249	-	-	-	-
Triangular 10	1000-U5	1000-U327	1000-U187-N	1000-U183	1000-U533
Double bit 3	1000-U6	1000-U328	1000-U188-N	1000-U137	1000-U534
Double bit 5	1000-U96	-	-	-	-
Hexagon female 10	1000-U168	-	-	-	-
Square female 6	1000-U182	-	-	-	-
Square female 7	1000-U169	-	-	-	-
Square female 8	1000-U20	-	-	-	-
Daimler Benz	1000-U195	-	-	-	-
Slot 1,2 x 3	1000-U142	1000-U329	1000-U196-N	1000-U630	1000-U631
Slot 2 x 4	1000-U738	1000-U739	-	-	-
Slot 2 x 4 coinproof	1000-U336	-	-	-	-
Crown type	1000-U509	-	-	1000-U729	-
Eastern Europe Ø 13	1000-U757	-	-	1000-U757-01	-
Hexagon female 8 with pin		Zinc die black powder-coated	Polyamide GF / Zinc die black	Polyamide GF black / AISI 303	
 Star handle	-	-	1000-U13	1000-U138	-
 Wing knob ①	-	-	1000-U78	1000-U510	-
 Wing knob ②	-	1000-U910	-	-	-



GH	Ts
30 mm	1.5 up to 20 mm
36 mm	1.5 up to 26 mm
40 mm	1.5 up to 30 mm
50 mm	1.5 up to 40 mm
60 mm	1.5 up to 50 mm

Assembling instruction



IP 65 with:	
** Flat seal	1000-23
** O-ring	1000-24
IP 66 with:	
Seal-set	1000-U769
IP 69K with:	
* Seal set	1000-U841
Assembly on request:	
without O-ring	1000-990
with O-ring	1000-991

Housing material on choice; nut or earthnut m.s. zinc plated or nut stainless steel Adapter zinc die or AISI 303, screw m.s. zinc pl. or stainless steel

GH in mm	Zinc die chrome plated		Zinc die black powder coated		Polyamide black	AISI 316
	Nut	Earthnut	Nut	Earthnut	Nut	Nut
30	1000-U51	1000-U65	1000-U225	1000-U226	1000-U876	1000-U878
- adapter	1000-U164					1000-U879
36	1000-U246	1000-U248	1000-U317	1000-U318	-	-
- adapter	1000-U198					-
40	1000-U66	1000-U67	1000-U227	1000-U228	1000-U737	-
- adapter	1000-U165					-
50	1000-U68	1000-U69	1000-U229	1000-U230	1000-U736	-
- adapter	1000-U166					-
60	1000-U504	1000-U505	1000-U506	1000-U507	-	-
- adapter	1000-U535					-

** included in case of stainless st. version

* Seal-set only complete assembled with housing, insert and cam available

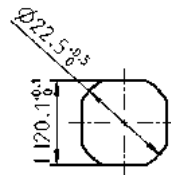
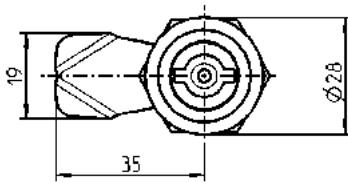
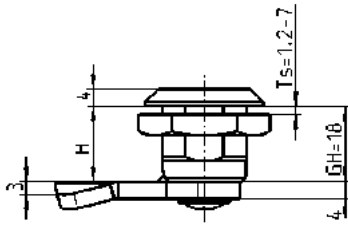
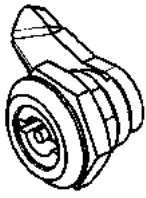
Note:
Quarter turn assembling 1B-105

Further parts see page

- Housing 1B-760, 1B-680, 1B-820
- Quarter turn with stepped cam 1B-240
- cam with catch 1C-120, up to 1C-180
- Accessories from 1C-170
- Insert with wing knob 1B-720
- Escutcheon 3B-140
- Door lock prominent 12A-220
- Key 12B-120

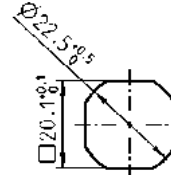
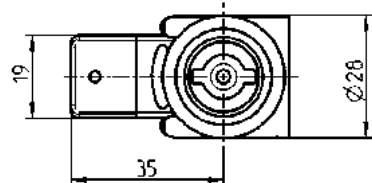
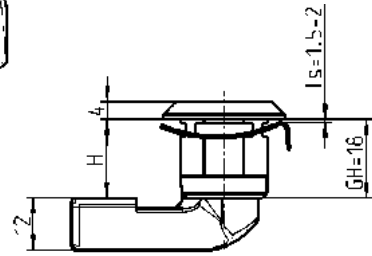
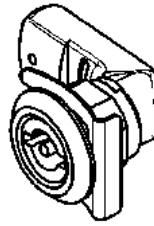
Plastic quarter turn PROGRAM 1000

Nut fixing

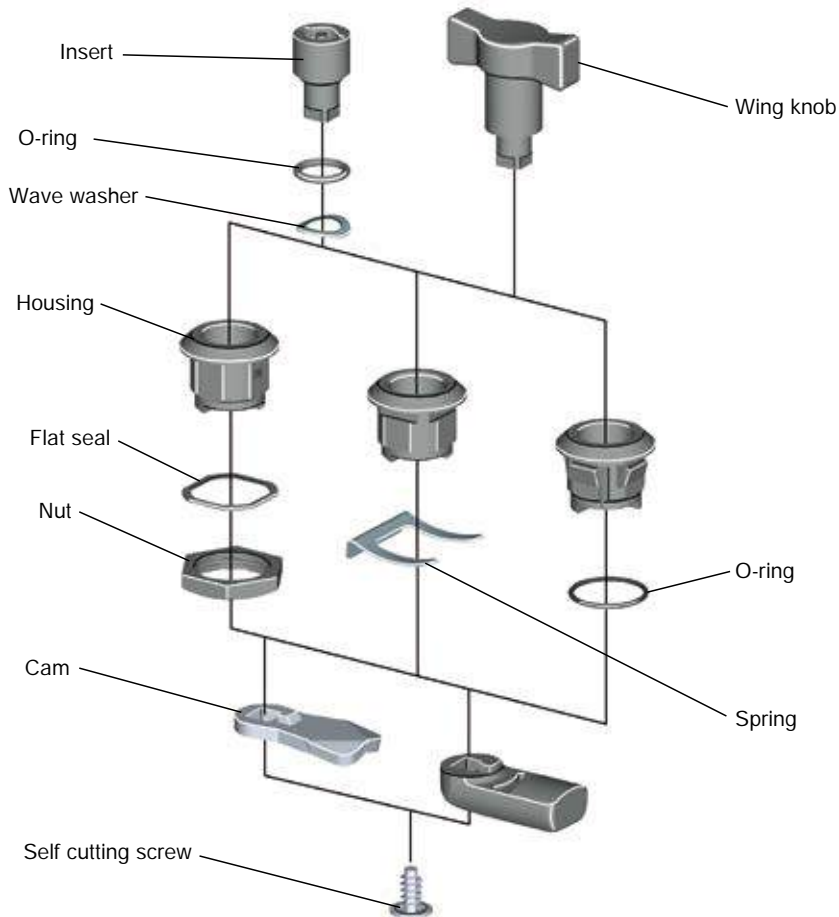


Cut out

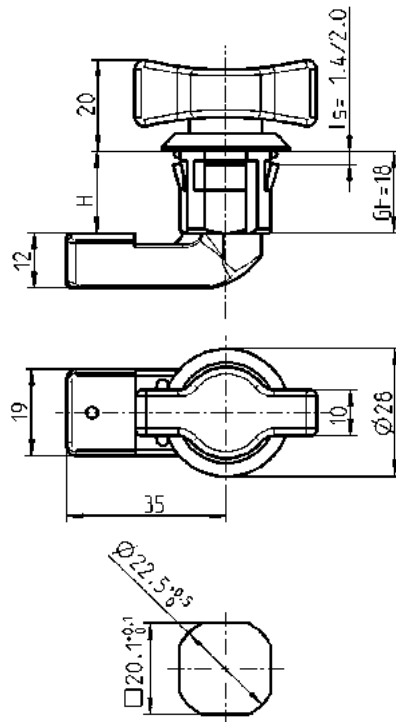
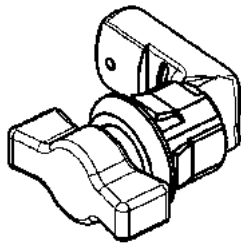
Spring fixing



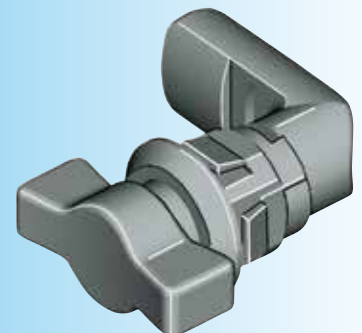
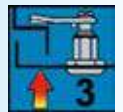
Cut out



Clip-in fixing



Cut out



Housing polyamide GF black with nut or spring fixing AISI 301

Housing polyamide black with O-ring

*nut fixing	Spring fixing	Ts	clip-in
1000-U675	1000-U709	1,4 *	1000-U695
		2,0	1000-U696

Insert polyamide black, wave washer and self cutting screw m.s. zinc plated

Square 7	1000-U666
Square 8	1000-U676
Triangular 8	1000-U667
Double bit 3	1000-U677
Double bit 5	1000-U678
Slot 2 x 4	1000-U679
Eastern Europe Ø 13	1000-U680
Wing knob insert (IP 50) IP 65 on request	1000-U711

Cam on choice

H	m.s. zinc plate, t=4	polyamide black
18	1000-5046	1000-386-18
20	1000-5161	1000-386-20
22	1000-5119	1000-386-22
24	-	1000-386-24
28	1000-5164	1000-386-28
30	-	1000-386-30

IP 65 (*see housing) with:

Flat seal (nut fixing only)	1000-23
O-ring	1000-24

Note:

Quarter turn assembling 1B-105

Further parts see page

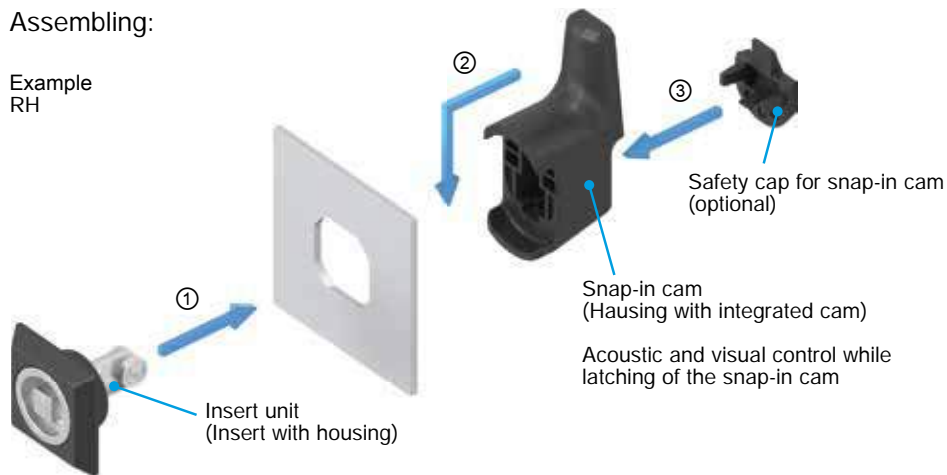
- Insert with wing knob 1B-720
- Handle (only nut fixing) 1C-320
- Dust cap (only nut fixing) 1C-320
- Key 12B-120

Quarter turn for assembly without tool

PROGRAM 1000

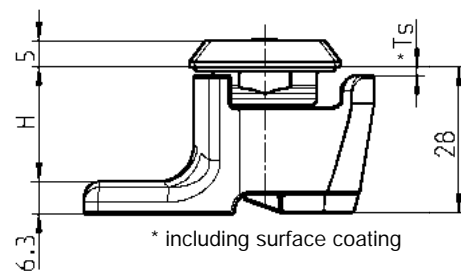
Assembling:

Example
RH

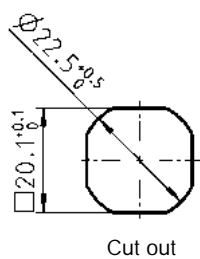
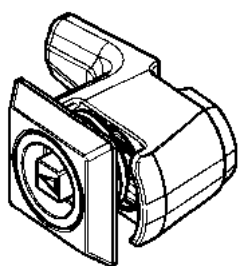


Product benefits

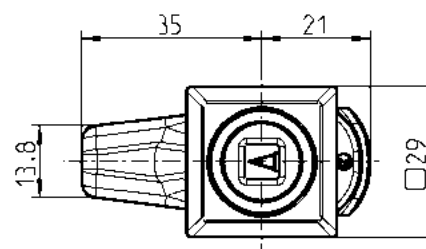
- cost savings due to toolless assembly within seconds
- smooth operation (no internal rotation due to design)
- safety cap optional
- self-sealing construction for highest protection requirements
- increased safeguarding against overwinding
- design foil available on customer request
- standard cutout
- patented



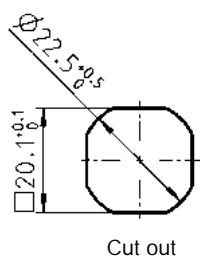
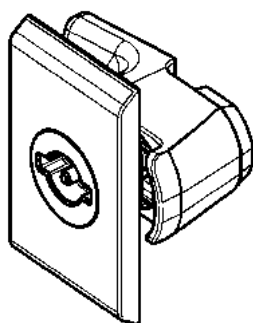
Version 1



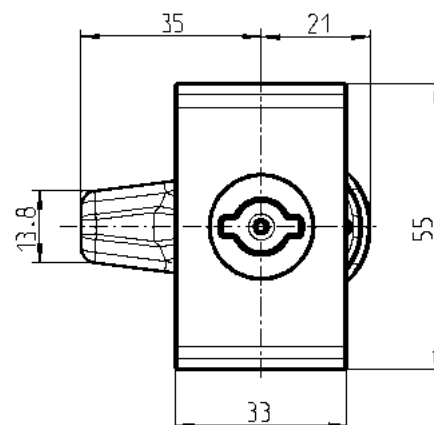
Version 1



Version 2



Version 2



Version 1
Assembly
instruction



Version 2
Assembly
instruction



Version 1



Version 2



Insert unit pre-assembled:
Insert zinc die with O-ring;

Version 1: housing polyamide GF black with foamed seal

Version 2: housing plate polyamide GF black or grey RAL 7004 with design foil on choice with integrated TPE seal;

90° hinge polyamide GF black;
design foil available on customer request

	Version 1 [Ⓐ]		Version 2 [Ⓑ]	
[Ⓐ] = foamed sealing [Ⓑ] = TPE sealing	black	black	Design foil matt chrome	Design foil brushed stainl. steel
Square 6	on request	on request	on request	on request
Square 7	1000-U902	1000-U914	1000-U918	1000-U922
Square 8	1000-U903	1000-U915	1000-U919	1000-U923
Square 8mm with M6 thread for wing knob	1000-U908	on request	on request	on request
Triangular 6.5 CNOMO	on request	on request	on request	on request
Triangular 7	on request	on request	on request	on request
Triangular 8	1000-U904	1000-U916	1000-U920	1000-U924
Double bit 3	1000-U905	1000-U913	1000-U912	1000-U909
Double bit 5	on request	on request	on request	on request
Hexagon female 8mm	on request	on request	on request	on request
Hexagon female 8mm with pin	on request	on request	on request	on request
Hexagon female 10mm	on request	on request	on request	on request
Square female 6mm	on request	on request	on request	on request
Square female 7	on request	on request	on request	on request
Square female 8	on request	on request	on request	on request
Daimler Benz	on request	on request	on request	on request
Slot 1.2 x 3	on request	on request	on request	on request
Slot 2 x 4	1000-U907	1000-U917	1000-U921	1000-U925
Slot 2 x 4 coinproof	on request	on request	on request	on request
Tube with indicator	on request	on request	on request	on request

Snap-in cam polyamide GF black

H	Ts = 1.0 - 1.5 *	Ts = 1.5 - 2.0 *	Ts = 2.0 - 2.5 *	Ts = 2.5 - 3.0 *
18	1000-590	1000-591	1000-592	1000-593
22	1000-594	1000-595	1000-602	1000-597
24	1000-598	1000-599	1000-600	1000-601

Safety cap for snap-in cam polyamide black

1000-603

* including surface coating

Further parts see page

– Wing knob for insert
– Key

1B-720
12B-120



Quarter turn with cam polyamide



Quarter turn with cam m. s. zinc-plated

Assembly note:

Assembly door stop on the right: Pre-mounted insert part is inserted in the cut out when closed. Then fixed with snap-in pin.

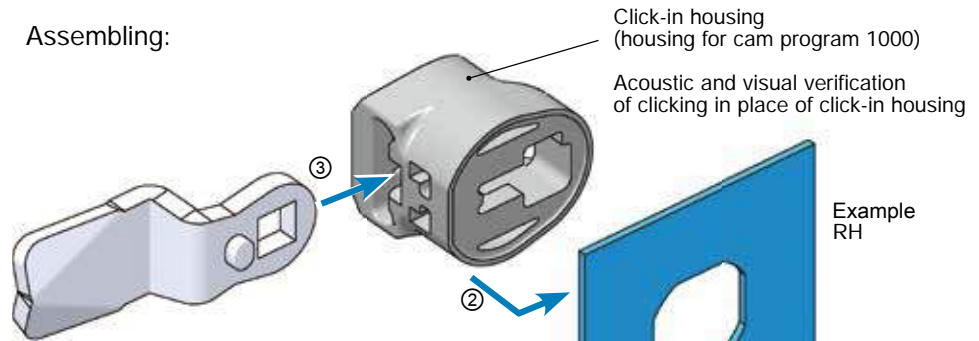
Assembly door stop on the left: Pre-mounted insert part is inserted in the cut out when opened. Then fixed with snap-in pin.

Other door thickness on request!

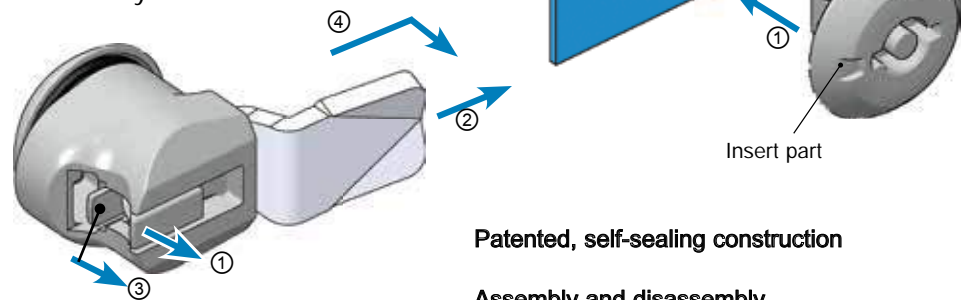
Further parts see page

- Cam (type 1; GH=18) 1C-120
- Key 12B-120

Assembling:



Disassembly:

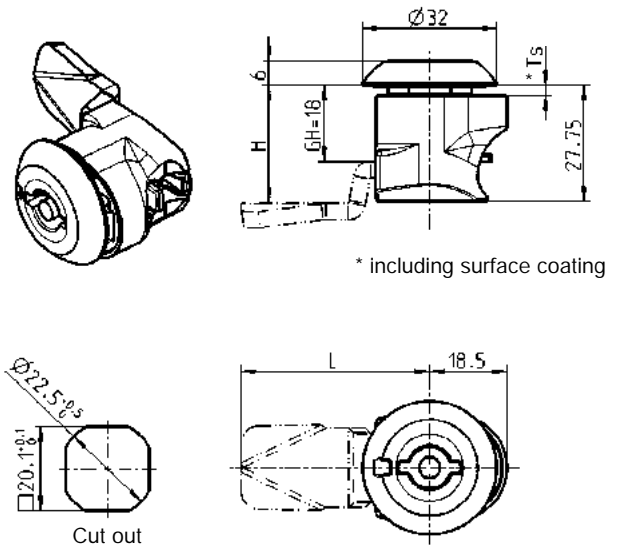


Patented, self-sealing construction

Assembly and disassembly without tools

Product benefits

- cost savings due to toolless assembly and disassembly within seconds
- alternatively available with polyamide or steel cam
- suitable for many standard cams
- closing force with cam of steel matches EMKA standard quarter-turn of zinc die cast
- smooth operation (no internal rotation due to design)
- self-sealing construction for highest protection requirements (design immanent)
- increased safeguarding against overwinding
- standard cutout
- patented



Insert part polyamide GF black; with seal

Square 7	1000-U883
Square 8	on request
Triangular 8	on request
Double bit 3	1000-U895
Double bit 5	1000-U873
Slot 1,5 x 3	on request

Click-in housing polyamide GF black for cam program 1000

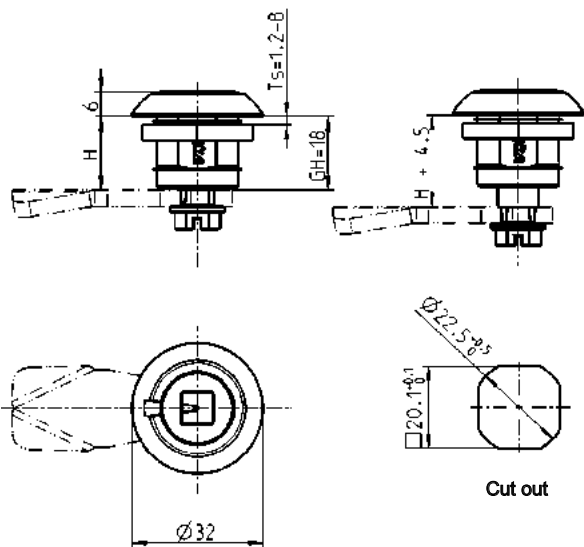
Ts = 0,5 - 1,0 including surface coating	1000-551-02
Ts = 1,0 - 1,5 including surface coating	1000-551-01
Ts = 1,5 - 2,0 including surface coating	1000-551

Compression latch

PROGRAM 1000

Vibration proof

These latches are designed to be vibration resistant with a distinct "over-center" action. There may be some cases of extreme vibration where this detent is overcome. Therefore we recommend rigorous testing.



for stainless steel version

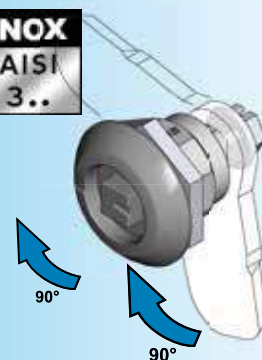
Product benefits

- compact design
- compatible with other quarter-turns with GH = 18 mm
- fire protection according to DIN EN 45545-2 with E20
- short housing GH = 18 mm
- foamed sealing
- standard cutout

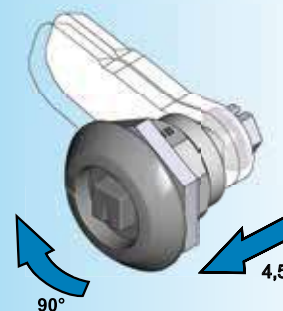
Housing and insert material acc. to customer's specifications, nut and screw m. s. zinc plated or stainless steel, with spring and seal

	Zinc die black powder coated	Zinc die chrome plated	AISI 316
Square 6	on request	on request	on request
Square 7	on request	1000-U859-IA	1000-U859-PH
Square 8	1000-U852	1000-U852-IA	1000-U852-PH
Triangular 6,5 CNOMO	on request	on request	on request
Triangular 7	on request	1000-U864-IA	1000-U864-PH
Triangular 8	1000-U853	on request	1000-U853-PH
Triangular 9	on request	on request	on request
Triangular 10	on request	on request	on request
Double bit 3	1000-U854	on request	1000-U854-PH
Double bit 5	1000-U855	on request	1000-U855-PH
Male hexagon 11mm with indicator	on request	on request	on request
Hexagon female 8mm	on request	on request	on request
Hexagon female 8mm with pin	on request	on request	on request
Hexagon female 10mm	on request	on request	on request
Square female 6	on request	on request	on request
Square female 7	on request	on request	on request
Square female 8	on request	on request	on request
Daimler Benz	on request	on request	on request
Slot 1,2 x 3	on request	on request	on request
Slot 2 x 4	on request	on request	on request
Slot 2 x 4 coinproof	on request	on request	on request
Crown type	on request	on request	on request
Railway	1000-U856	on request	1000-U856-PH
Tube with indicator	on request	on request	on request

Beschlagteile



Open condition
The first 90° of rotation of the insert also turns the cam 90°.



Closed position
The second 90° of rotation of the insert draws the cam toward the door 4.5 mm axially.



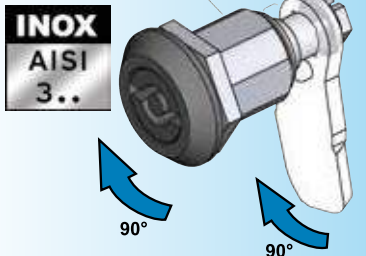
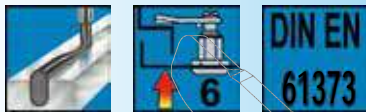
Compressed condition

Unlock:
Reversed rotation

Further parts see page
– Cam without catch from 1C-120
(not for cam with rod control)
– Accessories from 1C-320
– Escutcheon 3B-140
– Key 12B-120

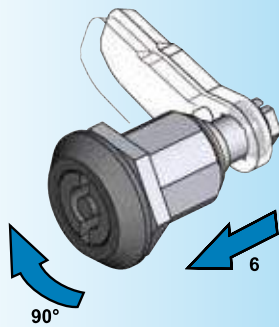
Compression latch PROGRAM 1000

Beschlagteile



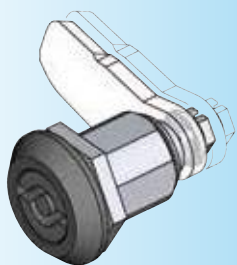
Open condition

The first 90° of rotation of the insert also turns the cam 90°.



Closed position

The second 90° of rotation of the insert draws the cam toward the door 6 mm axially.



Compressed condition

Unlock:
Reversed rotation

Further parts see page

- Cam with or without catch from 1C-120
- (not for cam with rod control)
- Accessories from 1C-320
- Escutcheon 3B-140
- Key 12B-120

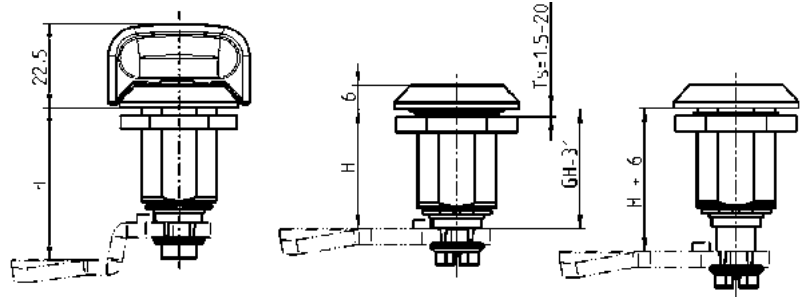


Vibration proof

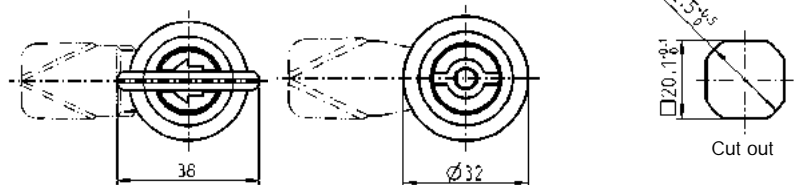
The compression latch is of a vibration-proof design. Depending on the installation location and operational conditions specific checks are necessary and/or supplementary measures of fastening required.



for stainless steel version



Housing with indicator on request



Housing and insert zinc die black p.c. or AISI 316, shaft and nut m.s. zinc plated, with spring and gasket

	Zinc die black powder coated	AISI 316
Square 6 with arrow	on request	on request
Square 7 with arrow	1000-U796	on request
Square 8 with arrow head	1000-U798	on request
Square 8 with indicator	on request	1000-U755-01
Triangular 6,5 CNOMO	on request	on request
Triangular 7	1000-U795	on request
Triangular 8	1000-U783	on request
Triangular 9	on request	on request
Triangular 10	on request	on request
Double bit 3	1000-U749	1000-U749-01
Double bit 5	1000-U748	1000-U748-01
Hexagon female 8mm	1000-U807	on request
Hexagon female 8mm with pin	1000-U805	on request
Hexagon female 10mm	1000-U809	on request
Square female 6mm	on request	on request
Square female 7	on request	on request
Square female 8	1000-U811	on request
Daimler Benz	on request	on request
Slot 1,2 x 3	on request	on request
Slot 2 x 4	1000-U777	1000-U777-01
Slot 2 x 4 coinproof	on request	on request
Crown type	on request	on request
Railway	1000-U831	1000-U831-01
Tube with indicator	on request	on request
Wing knob	1000-U882	on request

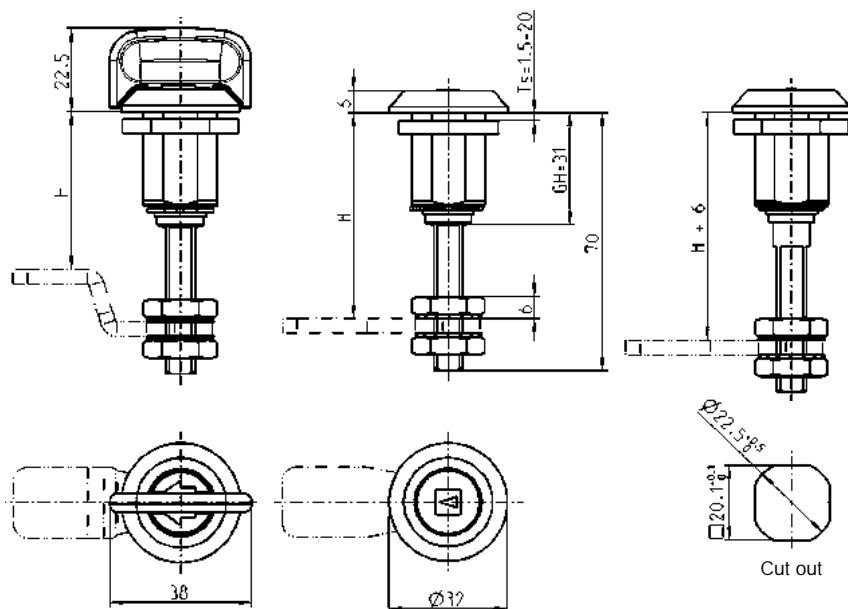
Compression latch with adjustable cam

PROGRAM 1000

Vibration proof

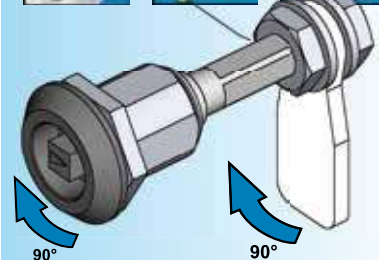
The compression latch is of a vibration-proof design.

Depending on the installation location and operational conditions specific checks are necessary and/or supplementary measures of fastening required.

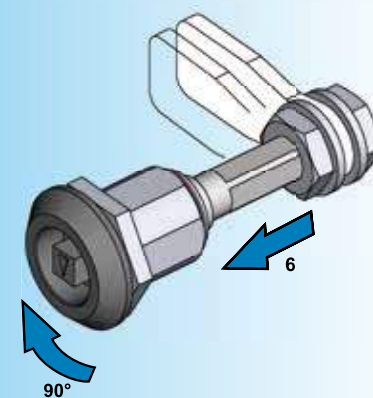


Housing and insert zinc die black p.c.; shaft zinc die or m.s. zinc plated; nut and washer m.s. zinc plated, with spring and gasket

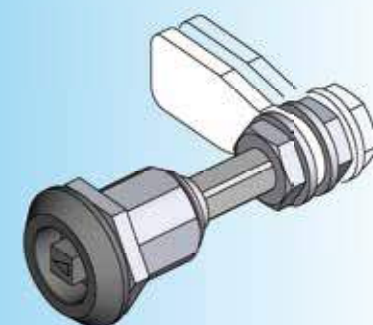
	shaft zinc die	shaft m.s. zinc plated
Square 6 with arrow	on request	on request
Square 7 with arrow	1000-U786	1000-SU720
Square 8mm with arrow	1000-U799	1000-SU861
Triangular 6,5 CNOMO	on request	on request
Triangular 7	1000-U794	1000-SU724
Triangular 8	1000-U802	1000-SU725
Triangular 9	on request	on request
Triangular 10	on request	on request
Double bit 3	1000-U803	1000-SU730
Double bit 5	1000-U804	1000-SU752
Male hexagon 11mm with indicator	1000-U816	1000-SU324
Hexagon female 8mm	1000-U808	1000-SU735
Hexagon female 8mm with pin	on request	1000-SU733
Hexagon female 10mm	on request	on request
Square female 6mm	on request	on request
Square female 7	on request	on request
Square female 8	1000-U812	on request
Daimler Benz	on request	on request
Slot 1,2 x 3	on request	on request
Slot 2 x 4	1000-U813	on request
Slot 2 x 4 coinproof	on request	on request
Crown type	on request	on request
Railway	on request	on request
Tube with indicator	1000-U830	1000-SU736
Wing knob	1000-U880	on request



Open condition
The first 90° of rotation of the insert also turns the cam 90°.



Closed position
The second 90° of rotation of the insert draws the cam toward the door 6 mm axially.



Compressed condition

Unlock:
Reversed rotation

Note:
Only cams without a stopper can be used.

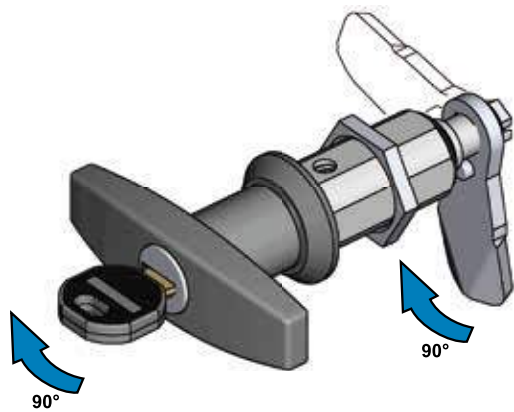
Further parts see page

- Stainless steel version 8A-232
- Cam (GH = 31) 1C-137
- Accessories from 1C-320
- Escutcheon 3B-140
- Key 12B-120

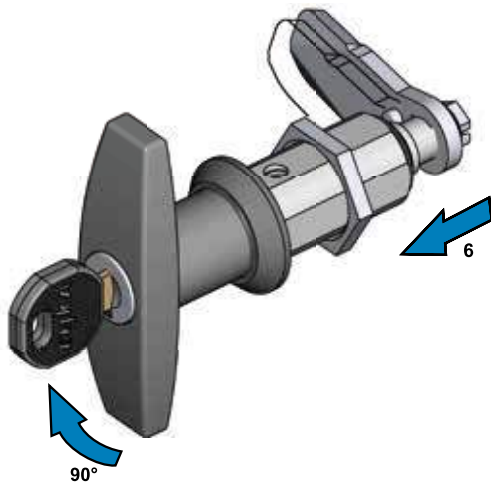
Compression latch with handle and fixed or adjustable cam height

PROGRAM 1000

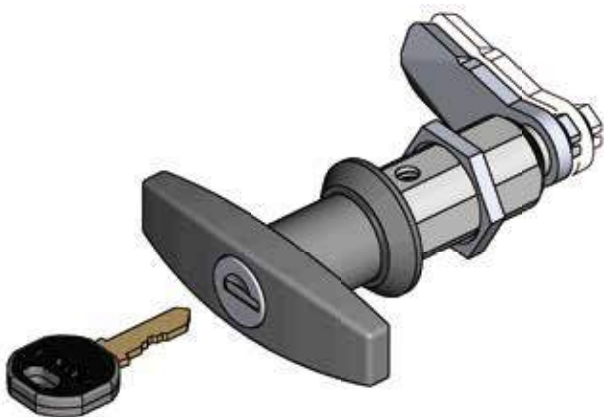
Compression T handle



Open condition
The first 90° of rotation of the handle turns the cam 90°.



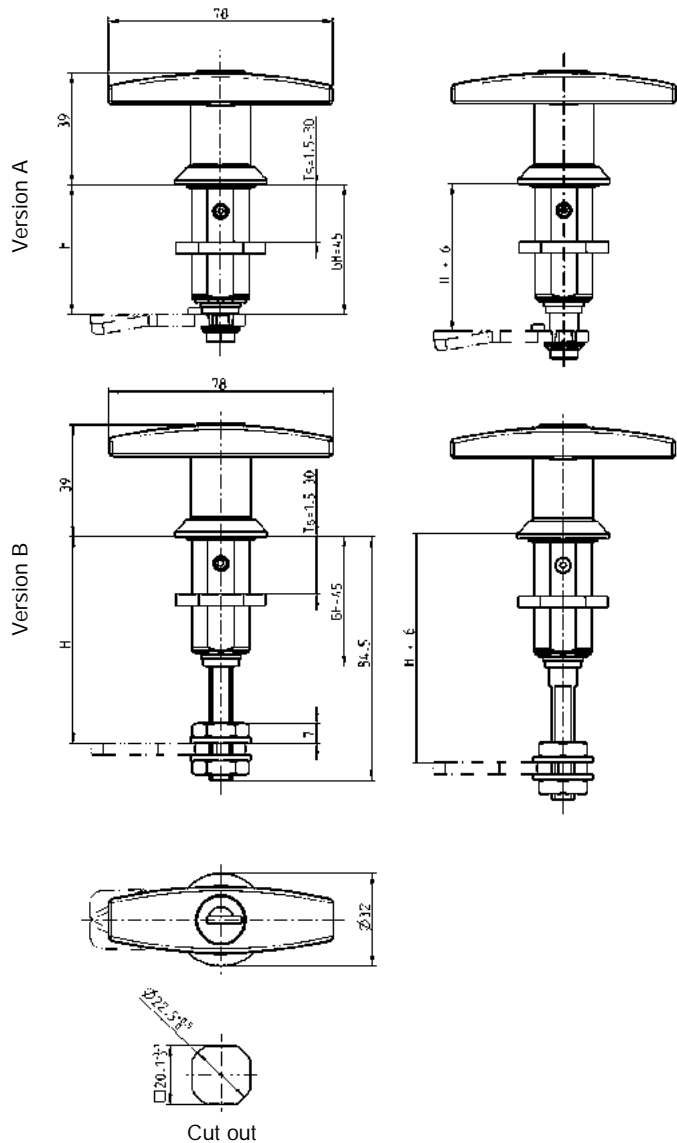
Closed position
The second 90° of rotation draws the cam 6mm axially towards the door.



Compressed condition
Key removable

Unlock:
Reversed rotation

Compression latch with T-handle



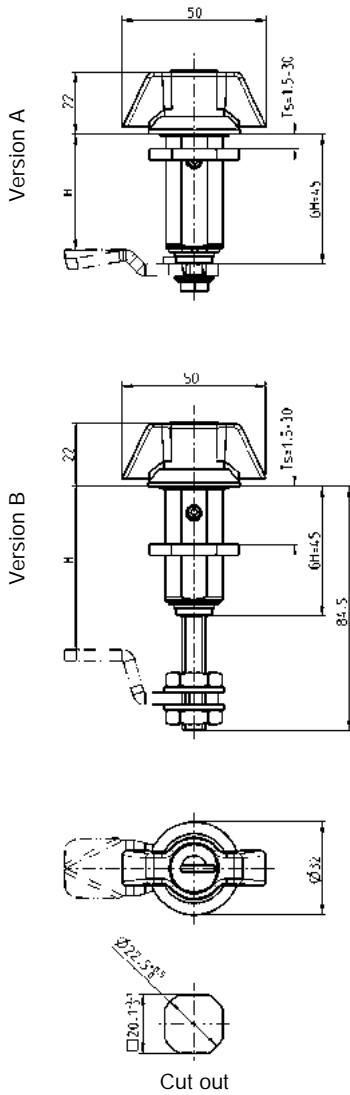
Note:

For version B only cams without catch can be used!

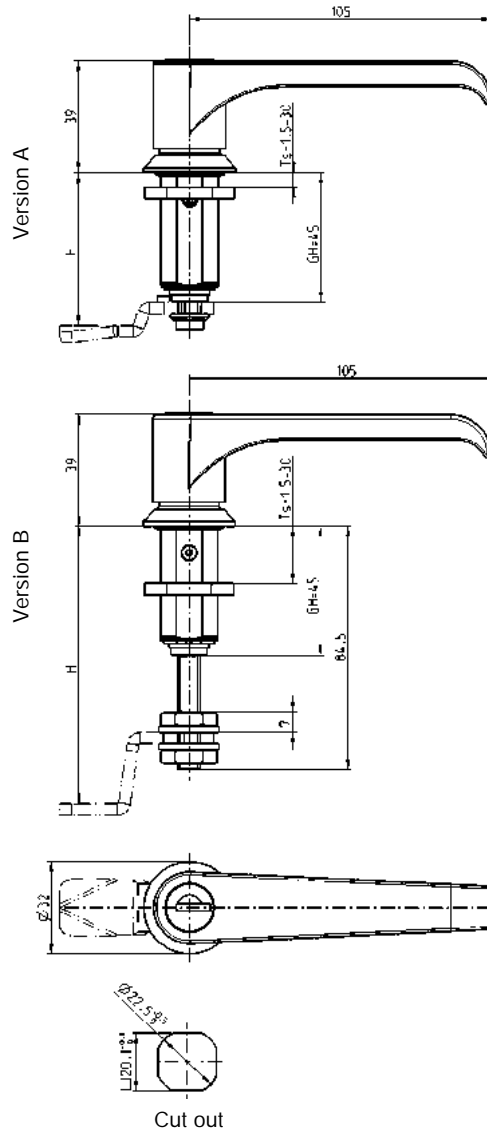
Vibration proof

The compression latch is of a vibration-proof design. Depending on the installation location and operational conditions specific checks are necessary and/or supplementary measures of fastening required.

Compression Wing knob



compression L handle



Stainless steel version on request.



Handle and housing zinc die, black powder coated; cylinder zinc die, with stainless steel cap and shutter; nut and screw or washer zinc plated m.s.; with spring and seal. Each cylinder has one silver steel key with polyamid grip. Key removable in both positions.

Version A: captive cam level	non locking	keyed EK 333	keyed different
Wing knob	1000-U826	1000-U827	1000-U828
T-Handle	1000-U820	1000-U821	1000-U822
L-Handle	1000-U823	1000-U824	1000-U825
Version B: for adjustable cam level			
Wing knob	1000-U790	1000-U789	1000-U791
T-Handle	1000-U785	1000-U784	1000-U792
L-Handle	1000-U788	1000-U787	1000-U793

Further parts see page for fixed cam height
– Cam with or without catch from 1C-120

(not for cam with rod control)
for adjustable cam level
– Cam (GH = 45) 1C-137

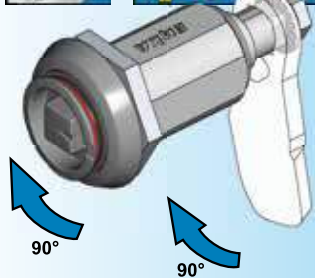
for both versions
– Dust cap for T-Handle 1C-340
– Spare key 12B-140

Vibration proof

The compression latch is vibration-proof as such. Depending on the installation location and the operating conditions specific checks are required and/or fastening measures necessary.

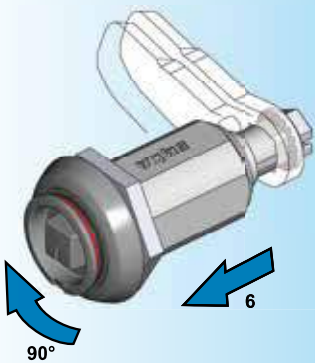
When the compression latch is used in combination with the dust cap (page 1C-330), another security aspect is added:

Additionally to the red ring being visible, the dust cap can not be locked.



Open condition

By turning the insert by 90° the cam is turned.



Closed position

The second 90° of rotation of the insert draws the cam toward the door 6 mm axially.



Compressed condition

Unlock:

Reversed rotation

Further parts see page

– Cam with or without catch from 1C-120

(not for cam with rod control)

– Accessories from 1C-320

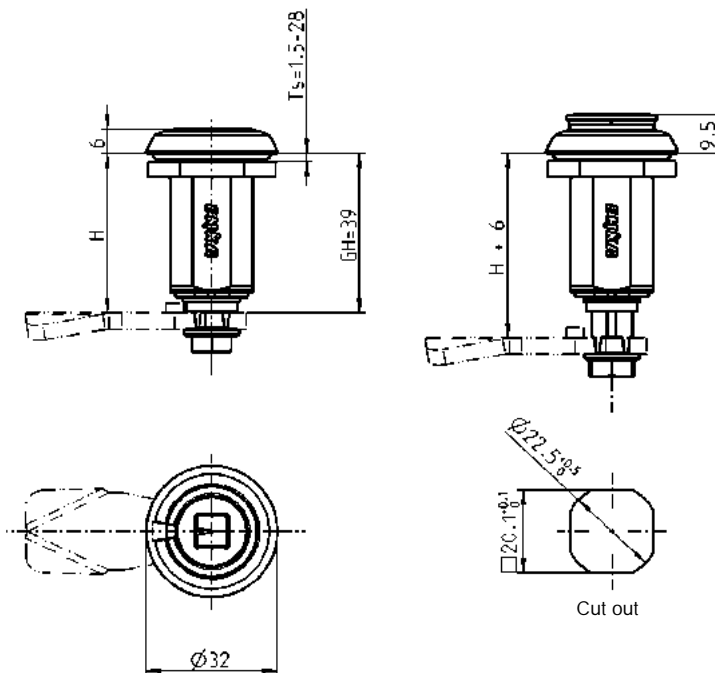
– Escutcheon 3B-140

– Key 12B-120

Compressed condition



Open condition



Housing and insert zinc die black powder coated, signal ring red, nut and screw m.s. zinc plated, with spring and seal

Square 8

1000-U846

National railway

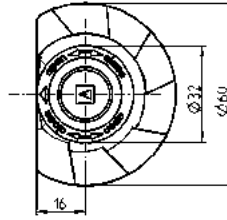
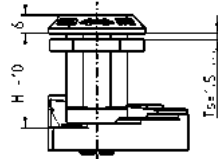
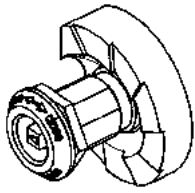
1000-U848

Quarter turn with stepped cam

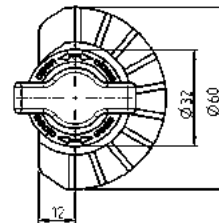
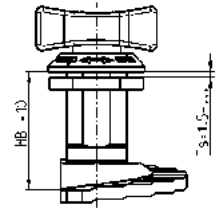
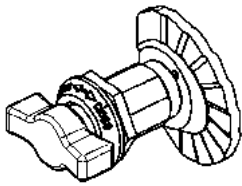
PROGRAM 1000

Beschlagteile

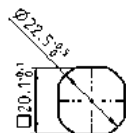
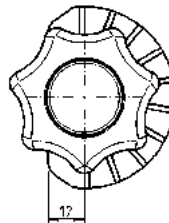
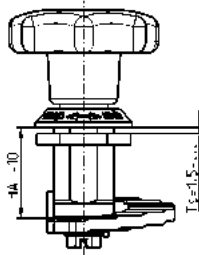
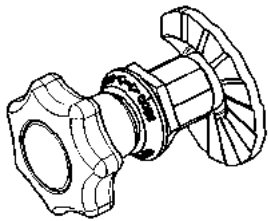
Version A



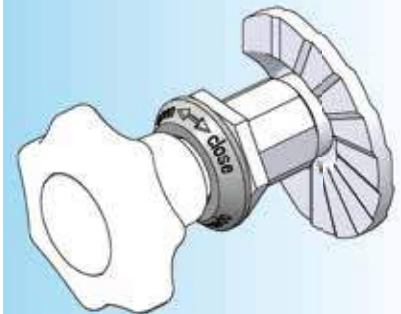
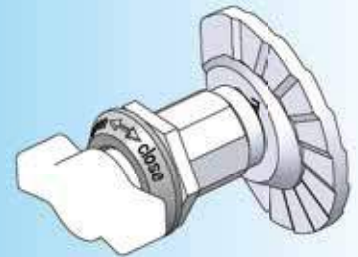
Version B



Version B



Cut out



Housing with 270° stop

Stepped cam

Version A	zinc plated m.s., no stop	1000-127
	zinc plated m.s., with stop	1000-244
Version B	zinc alloy, with stop	1000-387

Housing zinc die surface as requested; nut m.s. zinc plated; adapter and spacer zinc alloy; screw m.s. zinc plated

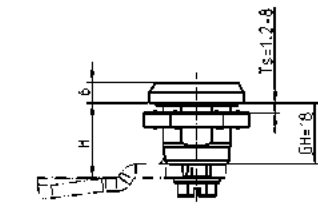
Ts	H	HA	HB	Zinc alloy housing		with zinc adapter (Flush mounted insert)	Spacer, zinc alloy for 5 mm tolerance and screw zinc plated
				Chrome plated	black powder coated		
1,5 –							
8	19	19	27	1000-U157	1000-U231	no need	1000-U539
20	31	31	39	1000-U158	1000-U232	1000-U164	1000-U540
26	37	37	45	1000-U247	1000-U250	1000-U198	1000-U541
30	41	41	49	1000-U159	1000-U233	1000-U165	1000-U542
40	51	51	59	1000-U160	1000-U234	1000-U166	1000-U543

Advice:
Quarter turn-Assembling 1B-105

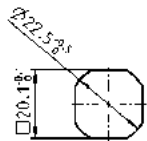
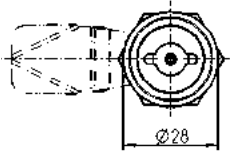
Further parts see page
 – Insert 1B-140
 – IP 65 or IP 66 1B-140
 – Accessories from 1C-320
 – Escutcheon 3B-140
 – Key 12B-120

Safety quarter turn

PROGRAM 1000

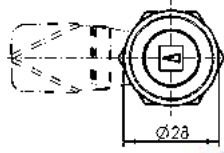
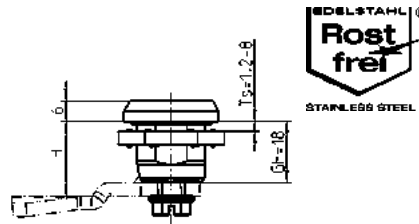


Right-hand version



Cut out

This lock is of a vibration-proof design. This depends on the installation location and operational conditions. Specific checks are necessary and/or supplementary measures of fastening may be required.



for version stainless steel

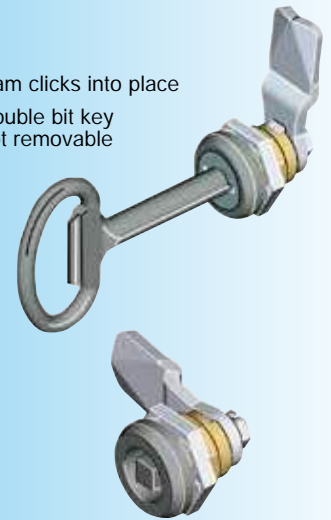
Beschlagteile



By pressing down the insert, the cam can be turned



Cam clicks into place
Double bit key
not removable



Housing brass, insert zinc die, screw and earthnut m.s. zinc plated, with seal	black powder coated		chrome plated	
	without	with	without	with
	Dust cap		Dust cap	
Double bit 3 mm RH version	1000-U252-01	1000-U687	1000-U202-01	1000-U691
Double bit 3 mm LH version	1000-U254-01	1000-U688	1000-U204-01	1000-U692
Double bit 5 mm RH version	1000-U256-01	1000-U689	1000-U206-01	1000-U693
Double bit 5 mm LH version	1000-U258-01	1000-U690	1000-U208-01	1000-U694
Square 6 mm RH/LH version	1000-U260-01	-	1000-U210-01	-
Square 7 mm RH/LH version	1000-U262-01	-	1000-U212-01	-
Square 8 mm RH/LH version	1000-U264-01	-	1000-U214-01	-
Triangular 7 mm RH/LH version	1000-U266-01	-	1000-U216-01	-
Triangular 8 mm RH/LH version	1000-U268-01	-	1000-U218-01	-
Slot 2x4 mm RH/LH version	1000-U652-01	-	1000-U655-01	-
Eastern Europe Ø 13 halfround, 90° and 180° stop, RH/LH version	1000-U713-01	-	-	-
Railroad, insert AISI 303 RH/LH	1000-U732-01	-	1000-U733-01	-
Housing with insert, screw and nut AISI 303, with seal			without	with
			Dust cap	
Double bit 3 mm RH version			1000-U714-01	1000-U725
Double bit 3 mm LH version			1000-U715-01	1000-U726
Double bit 5 mm RH version			1000-U716-01	1000-U727
Double bit 5 mm LH version			1000-U717-01	1000-U728
Square 6 mm RH/LH version			1000-U718-01	-
Square 7 mm RH/LH version			1000-U719-01	-
Square 8 mm RH/LH version			1000-U720-01	-
Triangular 7 mm RH/LH version			1000-U721-01	-
Triangular 8 version right/left			1000-U722-01	-
Slot 2x4 mm RH/LH version			1000-U723-01	-
Eastern Europe Ø 13 halfround, 90° and 180° stop, RH/LH version			1000-U724-01	-
Railroad RH/LH			1000-U710-01	-
Ø 8,6 with slot RH/LH			1000-U712-01	-

Safety quarter turn

Tamper and vibration-proof. With the double bit version the key is captive in the open position.

Hole for the double bit to DIN 43668.

Sealed against water and dust according to IP 65 DIN 40050.

Available with pre-assembled cam.

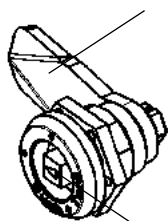
Further parts see page

- cam with catch 1C-120
- Accessories 1C-320
- (not for cam with rod control) 1C-360
- 1C-380
- Escutcheon 3B-140
- Key 12B-120

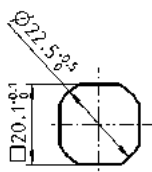


with stainless steel version

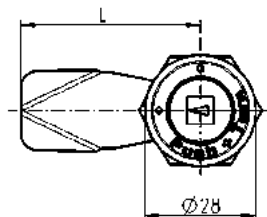
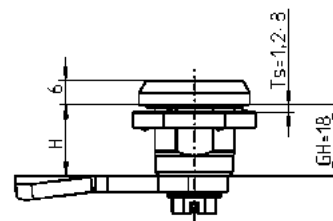
Cam



Insert



Cut out



Press down insert turn quarter turn!

Housing and insert material on choice, mask zinc die raw, screw and earthnut m.s. zinc plated and/or screw and nut stainless steel, with spring and seal

	zinc die chrome pl.	AISI 316
Square 6	on request	1000-U817-01PH
Square 7	1000-U817-02IA	on request
Square 8	1000-U817-03IA	1000-U817-03PH
Square 8 slotted	on request	on request
Triangular 6,5 CNOMO	on request	on request
Triangular 7	1000-U817-04IA	on request
Triangular 8	1000-U817-05IA	1000-U817-05PH
Triangular 9	on request	on request
Triangular 10	on request	1000-U817-07PH
Double bit 3	1000-U817-08IA	on request
Double bit 5	on request	on request
Hexagon female 8mm	on request	1000-U817-24PH
Hexagon female 10mm	on request	on request
Square female 6mm	on request	on request
Square female 7	on request	on request
Square female 8	on request	on request
Daimler Benz	on request	on request
Slot 1,2 x 3	1000-U817-16IA	on request
Slot 2 x 4	1000-U817-17IA	on request
Slot 2 x 4 coinproof	on request	on request
Crown type	on request	on request
Eastern Europe Ø 13	on request	on request
Hexagon female 8mm with pin	on request	on request
Railway version	1000-U817-23IA	on request

Safety quarter turn:
This lock is of a vibration proof design. Depending on the installation location and operational conditions, specific checks are necessary and/or supplementary measures of fastening required.

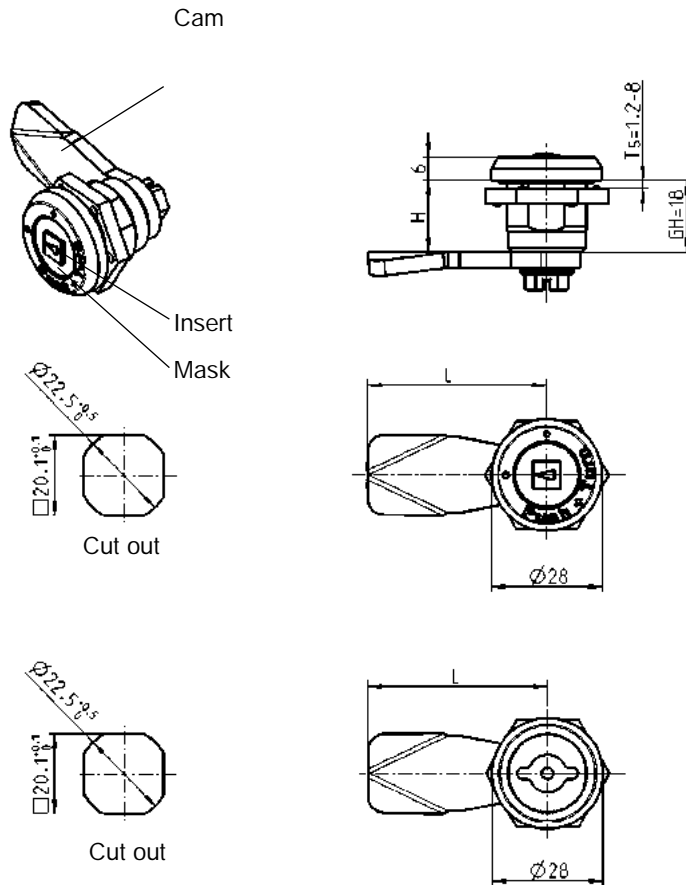
Note:
The H-dimension will be reduced by 2 mm when used with finger pull (see page 1C-320)

Further parts see page
 – Cam without catch 1C-120
 – Accessories 1C-320
 up to 1C-380
 – Key 12B-120

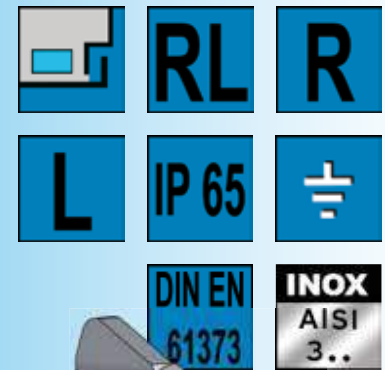
Safety quarter turn with mask

PROGRAM 1000

Beschlagteile



with stainless steel version



Insert square or triangular



Insert double bit

Press down insert and turn!

Housing and insert material on choice, mask zinc die raw, screw and earthnut m.s. zinc plated and/or sciew and nut stainless steel, with spring and seal

	zinc die chrome pl.	AISI 316
Square female 6mm	on request	on request
Square female 7mm	1000-U818-02IA	on request
Square female 8mm	1000-U818-03IA	on request
Square female 8mm slotted	on request	on request
Triangular 6,5 CNOMO	on request	on request
Triangular 7	1000-U818-04IA	on request
Triangular 8	1000-U818-05IA	on request
Triangular 9	on request	on request
Triangular 10	on request	on request

Housing and insert material on choice, mask zinc die raw, screw and earthnut m.s. zinc plated and/or screw and nut stainless steel, with spring and seal

	zinc die chrome pl.	AISI 316
Double bit 3 mm RH version	1000-U819-01IA	on request
Double bit 3 mm LH version	1000-U819-03IA	on request
Double bit 5 mm RH version	1000-U819-02IA	on request
Double bit 5 mm LH version	1000-U819-04IA	on request

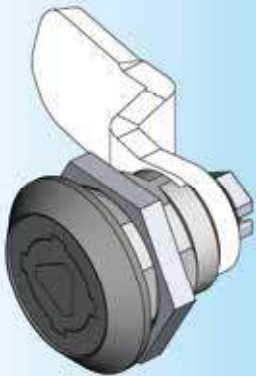
Safety quarter turn:
This lock is of a vibration proof design. Depending on the installation location and operational conditions, specific checks are necessary and/or supplementary measures of fastening required.

Version double bit: Key only removable in locked position

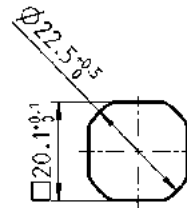
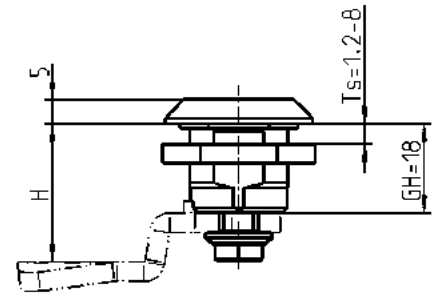
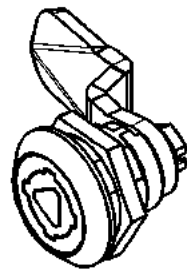
Keyhole for double bit according to DIN 43668.

Note:
The H-dimension will be reduced by 2 mm when used with finger pull (see page 1C-320)

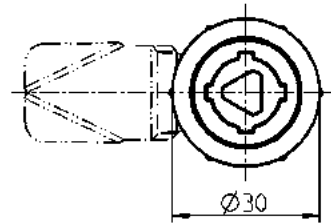
Further parts see page
 – Cam without catch 1C-120
 – Accessories 1C-320
 up to 1C-380
 – Key 12B-120



Press mask back
and
turn insert!



Cut out



Safety quarter turn:
This lock is of a vibration proof design. Depending on the installation location and operational conditions, specific checks are necessary and/or supplementary measures of fastening required.

The H-dimension will be reduced by 2 mm when used with finger pull (see page 1C-320)

Further parts see page

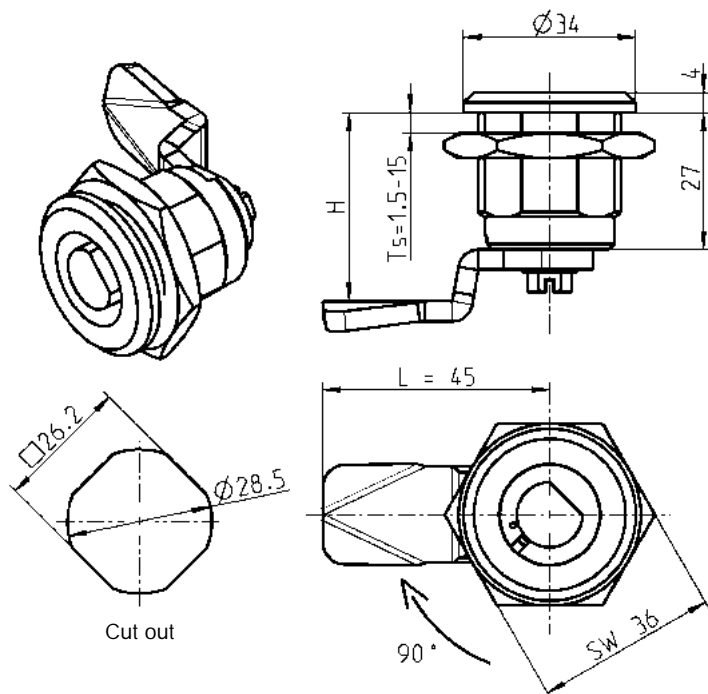
- cam with catch 1C-120
- 1C-160
- Accessories 1C-320
- up to 1C-380
- Key 12B-120

**Quarter turn zinc die black powder coated, screw and earthnut m.s. zinc plated, with seal
Key removable in both positions.**

Triangular 8 mm RH/LH version

1000-U835

Safety quarter turn Eastern Europe half-round PROGRAM 1000



Cut out

Attention:

Cut-out differs from standard

The spring loaded insert in the direction of arrow (type: Eastern Europe – Ø 13) can only be operated with a special key. Key only removable in the closed position.



Housing zinc die or polyamide; insert zinc die zinc plated; nut and Fixing material m.s. zinc plated

Zinc die black powder coated	1000-U746-01
Polyamide black	1000-U747

Key zinc die, raw

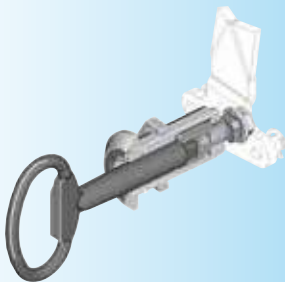
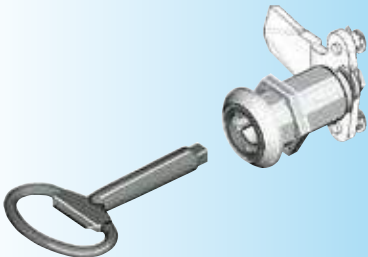
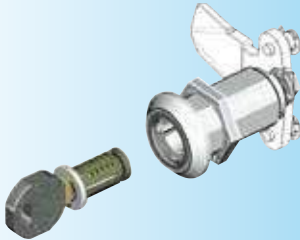
1004-45

Cam m.s. zinc plated

Dim.H in mm	Part-No.:	Dim.H in mm	Part-No.:
13	1000-112	29	1000-16
15	1000-22	31	1000-15
17	1000-113	33	1000-14
19	1000-21	34	1000-27
22	1000-20	35	1000-50
23	1000-19	37	1000-13
25	1000-18	39	1000-28
27	1000-17		

Further cams on request

Application area:
Electric power companies
in Eastern Europe

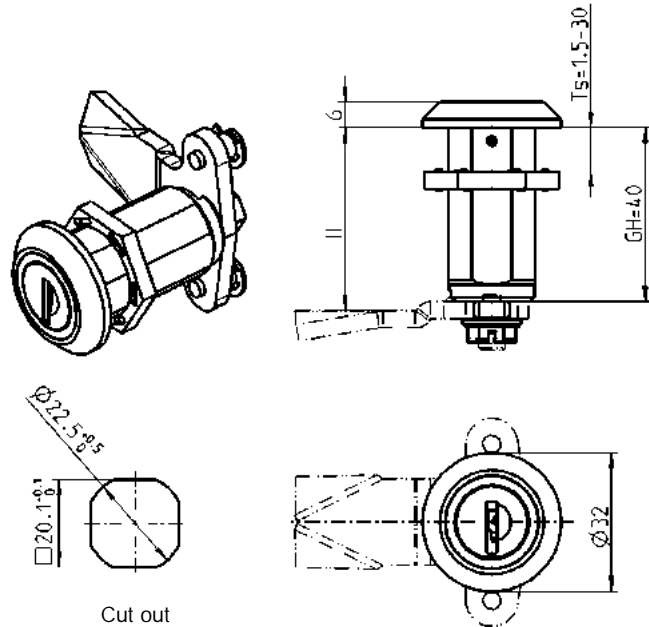


Combination of quarter turn and cylinder for 1- and 3-point latch system.

Note:
IP 65 and IP 66 only available factory pre-assembled

Further parts see page

- cam with catch up to 1C-120 from 1C-180
- Accessories 3B-140
- Escutcheon 12B-140
- Spare key



Safety quarter turn:

Removable cylinder, covered square insert, enables higher torque with square key.

Safety quarter turn housing zinc die black powder coated, cylinder with stainless steel cap and shutter, insert square female 6mm zinc die chrome plated, earthnut and fixing material m.s. zinc plated
 Each cylinder has one silver steel key with polyamide GF grip black.

keyed EK 333	1048-U22
keyed different	1048-U23
Key square 6 mm male	1004-29-01

IP 65 with:

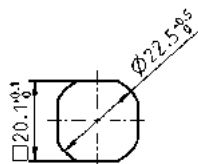
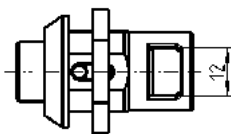
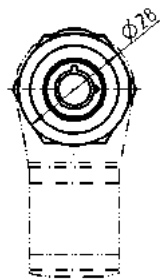
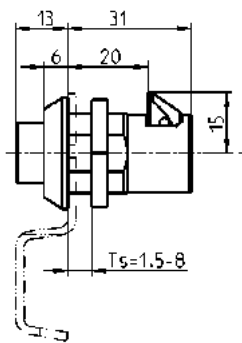
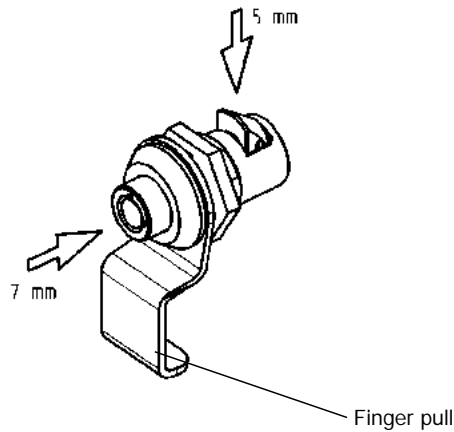
Flat seal	1000-23
O-ring	1000-24

IP 66 with:

Seal-set	1000-U769
----------	-----------

Radial pin-push cylinder

PROGRAM 1000

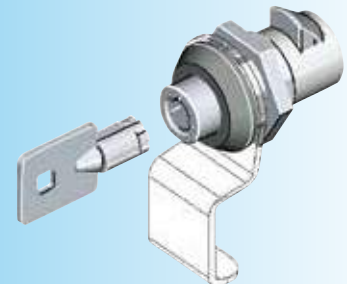


Cut out

Radial pin-push cylinder:

By turning the key 90° the push button is unlocked and can be operated.

The key is removable in both positions.



Application area:

Computer housings for German Railroad Company

Attention:

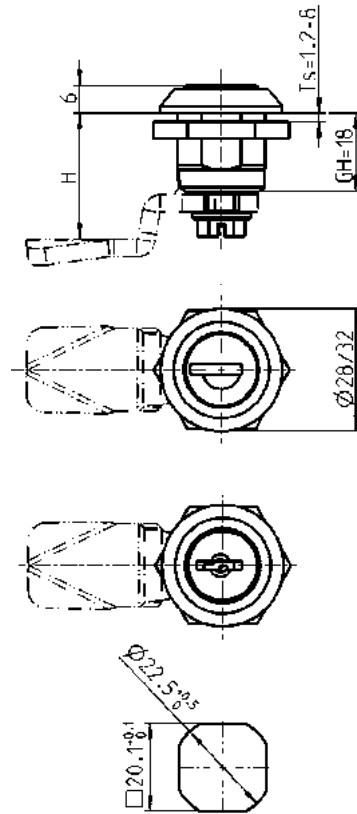
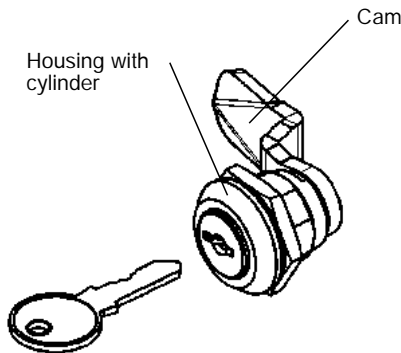
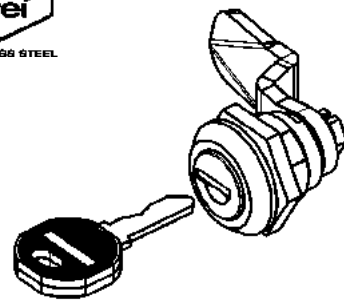
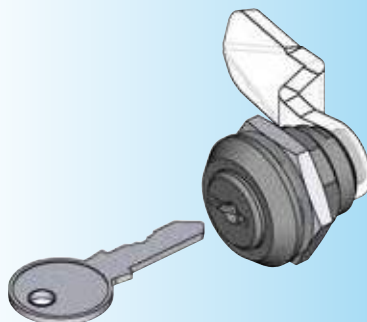
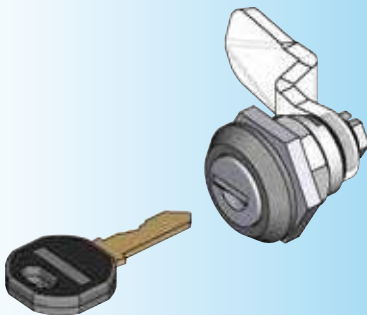
In case of using a finger pull the dimension will be changed from 20 to 18 mm and TS max will be 6 mm

Housing zinc die, pin cylinder brass/zinc die nickel plated, locking bolt zinc die plated, nut m.s. zinc plated

	chrome plated	black powder coated
keyed 20001	1000-U742	1000-U751
keyed different	1000-U743	1000-U752

Further parts see page

– Finger pull 1C-320
– Escutcheon 3B-140



Cut out

Cylinder-tumbuckle housing zinc die-cast zinc surface with your choice of round cylinder die-cast zinc, stainless steel dust cover and slide, screw and nut ms. Each cylinder has one silver steel key with polyamide GF grip black.

	Nut chrome plated	Earthenut	Nut black powder coated	Earthenut
D = 28 mm				
keyed EK 333	1048-U6	1048-U8	1048-U14	1048-U16
keyed different	1048-U7	1048-U9	1048-U15	1048-U17
D = 32 mm				
keyed EK 333	1048-U1	1048-U3	1048-U10	1048-U12
keyed different	1048-U2	1048-U4	1048-U11	1048-U13

Quarter turn with cylinder AISI 316, round cylinder, screw and serrated lock washer stainless steel.

Each cylinder has one silver steel key with polyamide GF grip black.

keyed EK 333 ; D = 28 mm	1048-U6-PH	-
keyed different ; D = 28 mm	1048-U7-PH	-

Quarter turn with cylinder, housing with cylinder polyamide GF black.

Screw m.s. zinc plated, nut m.s. zinc plated or polyamide black.

Each cylinder has one m.s. nickel plated key.

	Nut m.s. zinc plated	Earthenut	Nut polyamide black	Earthenut
D = 28 mm				
keyed EK 333	1048-U18	-	1048-U27	-
keyed different	1048-U19	-	1048-U28	-
D = 32 mm				
keyed EK 333	1048-U20	-	1048-U25	-
keyed different	1048-U21	-	1048-U26	-

Key removable in both positions

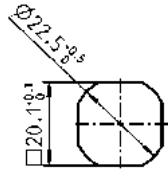
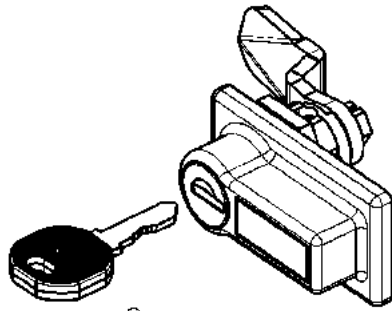
Further parts see page

- cam with catch from 1C-120
- (not for cam with rod control) 1C-160
- Slam cam 1C-180
- Accessories 1C-320
- 1C-360
- 1C-380
- Escutcheon 3B-140
- Spare key 12B-140

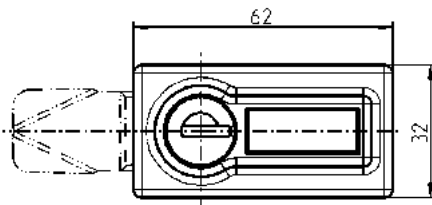
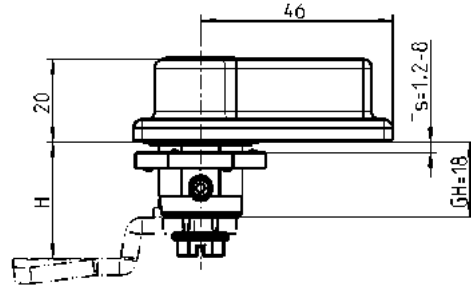
Panel handle quarter turn, T-handle quarter turn, small

PROGRAM 1000

Cylinder locking handle (quarterturn)



Cut out

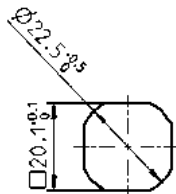
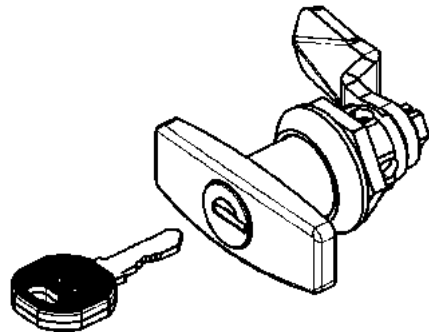


Handle polyamide GF black, housing black powder coated zinc die, round cylinder zinc die with stainless steel cap and shutter, nut, earthnut and fixing material ms zinc die, with seal. Each cylinder has one silver steel key with polyamid grip.

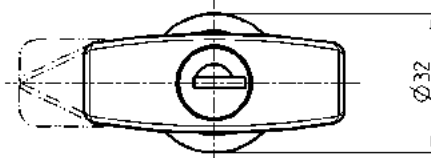
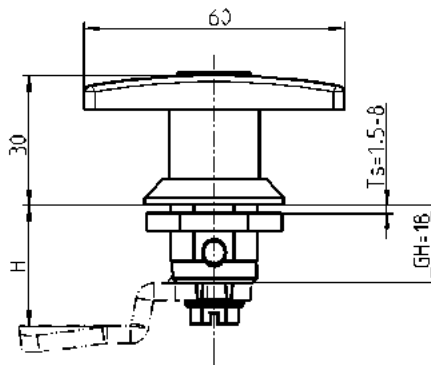
Key removable in both positions.

	Nut	Earthnut
keyed EK 333	-	1000-U844
keyed different	-	1000-U845

T-Handle, compact



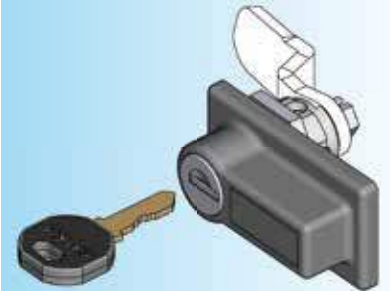
Cut out



Handle polyamide black, housing black powder coated zinc die, round cylinder zinc die with stainless steel cap and shutter, nut, earthnut and fixing material ms zinc round cylinder, with seal. Each cylinder has one silver steel key with polyamide GF grip black.

Key removable in both positions.

	Nut	Earthnut
non locking	1000-U775	1000-U775-01
* keyed EK 333	1000-U773	1000-U773-01
* keyed different	1000-U774	1000-U774-01



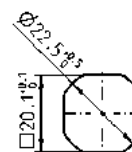
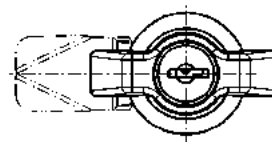
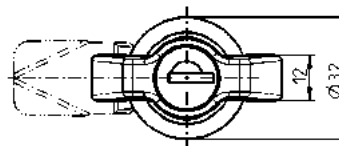
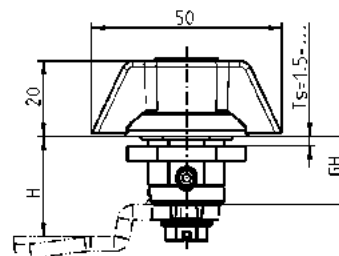
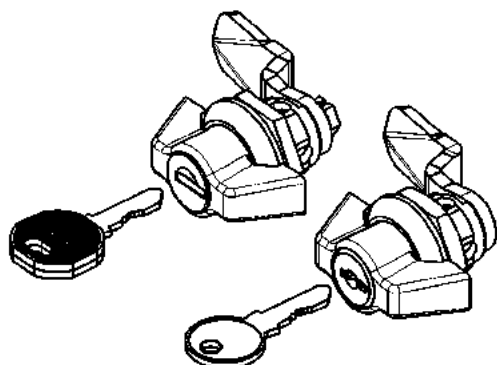
* IP 65

Further parts see page

- cam with catch up to 1C-120
- Accessories from 1C-180
- Escutcheon 1C-340
- Spare key 3B-140
- 12B-140

Wing knob

PROGRAM 1000



Cut out

Cylinder zinc die

Each cylinder has one silver steel key with polyamide GF grip black.
Screw and nut m.s. zinc plated.
Key removable in both positions.

Cylinder polyamide

Each cylinder has one m.s. nickel plated key.
Screw and nut m.s. zinc plated.
Key removable in both positions.

Wing knob

Handle, housing zinc die chrome pl., with sealing nut, earthnut and screw m.s. zinc plated
cylinder zinc die with stainless steel cap and shutter

IP 65

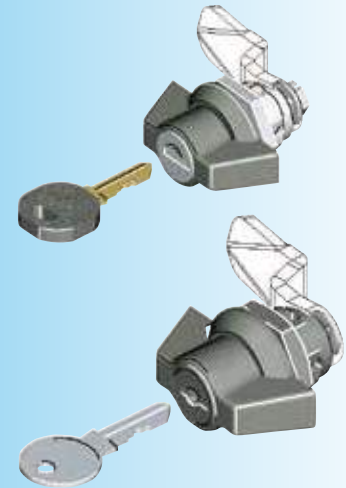
GH 18 mm	Ts 1,5 - 8 mm	non locking	keyed EK 333	Keyed different
	with nut	1000-U149	1000-U150	1000-U151
	with earthnut	1000-U152	1000-U153	1000-U154
30 mm	20 mm			
	with nut	1000-U269	1000-U271	1000-U273
	with earthnut	1000-U270	1000-U272	1000-U274
40 mm	30 mm			
	with nut	1000-U275	1000-U277	1000-U279
	with earthnut	1000-U276	1000-U278	1000-U280
50 mm	40 mm			
	with nut	1000-U281	1000-U283	1000-U285
	with earthnut	1000-U282	1000-U284	1000-U286
60 mm	50 mm			
	with nut	1000-U633	1000-U635	1000-U637
	with earthnut	1000-U634	1000-U636	1000-U638



Wing knob		Handle and housing zinc die black powder coated, earthnut and screw m.s. zinc plated, with seal cylinder zinc die, with stainless steel cap and shutter		
IP 65		non locking	keyed EK 333	keyed different
GH 18 mm	Ts 1,5 - 8 mm			
with nut		1000-U241	1000-U237	1000-U239
with earthnut		1000-U242	1000-U238	1000-U240
30 mm	20 mm			
with nut		1000-U403	1000-U405	1000-U407
with earthnut		1000-U404	1000-U406	1000-U408
40 mm	30 mm			
with nut		1000-U409	1000-U411	1000-U413
with earthnut		1000-U410	1000-U412	1000-U414
50 mm	40 mm			
with nut		1000-U415	1000-U417	1000-U419
with earthnut		1000-U416	1000-U418	1000-U420
60 mm	50 mm			
with nut		1000-U639	1000-U641	1000-U643
with earthnut		1000-U640	1000-U642	1000-U644

Wing knob		Handle, housing, nut and screw AISI 316, with seal		
IP 65		non locking	keyed EK 333	keyed different
GH 18 mm	Ts 1,5 - 8 mm			
with nut		1000-U665	1000-U150-PH	1000-U151-PH

Wing knob		Handle polyamide black, housing zinc die black p.c., earthnut and screw m.s. zinc plated, with seal, cylinder zinc die with stainless steel cap and shutter			Handle, housing, Cylinder and nut polyamide black (IP 40)	
IP 65		non locking	keyed EK 333	keyed different	keyed EK 333	keyed different
GH 18 mm	Ts 1.5 up to 8 mm					
with nut		1000-U343	1000-U345	1000-U347	1000-U754	1000-U753
with earthnut		1000-U344	1000-U346	1000-U348	-	-
30 mm	20 mm					
with nut		1000-U512	1000-U514	1000-U516	-	-
with earthnut		1000-U513	1000-U515	1000-U517	-	-
40 mm	30 mm					
with nut		1000-U518	1000-U520	1000-U522	-	-
with earthnut		1000-U519	1000-U521	1000-U523	-	-
50 mm	40 mm					
with nut		1000-U524	1000-U526	1000-U528	-	-
with earthnut		1000-U525	1000-U527	1000-U529	-	-
60 mm	50 mm					
with nut		1000-U645	1000-U647	1000-U649	-	-
with earthnut		1000-U646	1000-U648	1000-U650	-	-

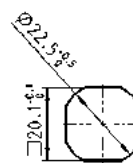
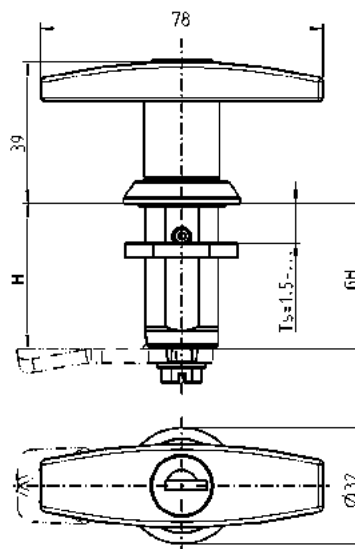
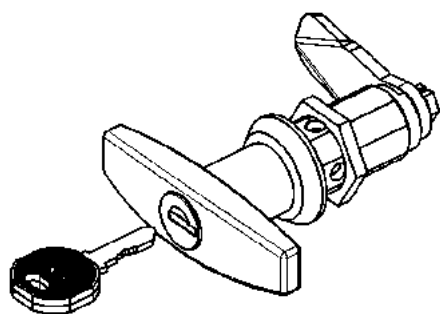


Further parts see page

- cam with catch up to 1C-120
- Accessories from 1C-180
- Escutcheon 3B-140
- Spare key 12B-140

T-Handle

PROGRAM 1000

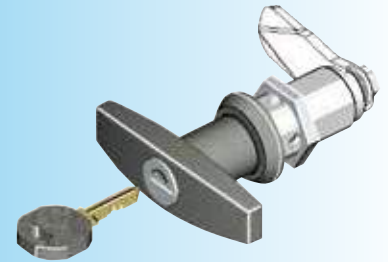


Cut out

Each cylinder has one silver steel key with polyamide GF grip black, screw and nut m.s. zinc plated. Key removable in both positions.

T-Handle, suitable for KABA-cylinder type 1036 for standard locking or master key system on request.

T-Handle		Handle and housing zinc die chrome plated, nut, earthnut and screw m.s. zinc plated, with seal cylinder zinc die with stainless steel cap and shutter		
IP 65		non locking	keyed EK 333	Keyed different
GH 18 mm	Ts 1.5 up to 8 mm			
	with nut	1000-U9	1000-U10	1000-U11
	with earthnut	1000-U60	1000-U61	1000-U62
30 mm	20 mm			
	with nut	1000-U116	1000-U118	1000-U120
	with earthnut	1000-U117	1000-U119	1000-U121
40 mm	30 mm			
	with nut	1000-U122	1000-U124	1000-U126
	with earthnut	1000-U123	1000-U125	1000-U127
50 mm	40 mm			
	with nut	1000-U128	1000-U130	1000-U132
	with earthnut	1000-U129	1000-U131	1000-U133
60 mm	50 mm			
	with nut	1000-U594	1000-U596	1000-U598
	with earthnut	1000-U595	1000-U597	1000-U599



T-Handle IP 65		Handle and housing zinc die black powder coated, nut, earthnut and screw m.s. zinc plated, with seal, cylinder zinc die with stainless steel cap and shutter		
GH 18 mm	Ts 1,5 - 8 mm	non locking	keyed EK 333	keyed different
with nut		1000-U337	1000-U338	1000-U339
with earthnut		1000-U340	1000-U341	1000-U342
30 mm	20 mm			
with nut		1000-U372	1000-U374	1000-U376
with earthnut		1000-U373	1000-U375	1000-U377
40 mm	30 mm			
with nut		1000-U378	1000-U380	1000-U382
with earthnut		1000-U379	1000-U381	1000-U383
50 mm	40 mm			
with nut		1000-U384	1000-U386	1000-U388
with earthnut		1000-U385	1000-U387	1000-U389
60 mm	50 mm			
with nut		1000-U600	1000-U602	1000-U604
with earthnut		1000-U601	1000-U603	1000-U605

T-Handle IP 65		Handle, housing, nut and screw AISI 316, with seal		
GH 18 mm	Ts 1,5 - 8 mm	non locking	keyed EK 333	keyed different
with nut		1000-U664	1000-U10-PH	1000-U11-PH

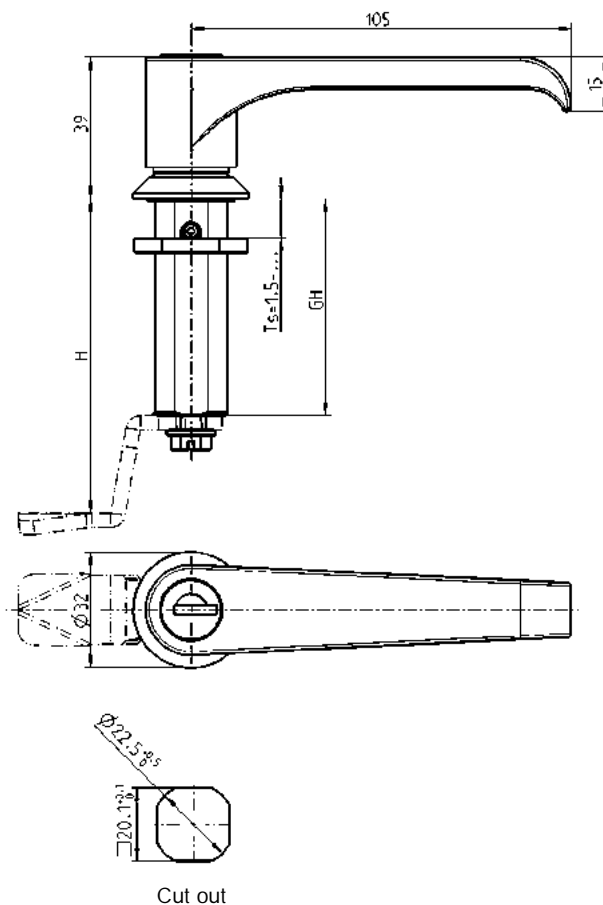
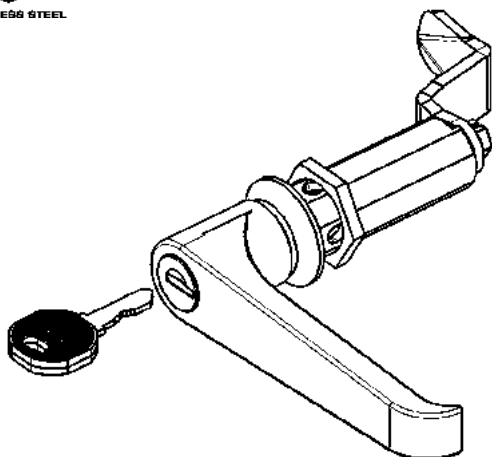
T-Handle IP 65		Handle polyamide black Housing zinc die black powder coated, nut, earthnut and screw m.s. zinc plated, with seal Cylinder zinc die with stainless steel cap and shutter		
GH 18 mm	Ts 1,5 - 8 mm	non locking	keyed EK 333	keyed different
with nut		1000-U546	1000-U548	1000-U550
with earthnut		1000-U547	1000-U549	1000-U551
30 mm	20 mm			
with nut		1000-U552	1000-U554	1000-U556
with earthnut		1000-U553	1000-U555	1000-U557
40 mm	30 mm			
with nut		1000-U558	1000-U560	1000-U562
with earthnut		1000-U559	1000-U561	1000-U563
50 mm	40 mm			
with nut		1000-U564	1000-U566	1000-U568
with earthnut		1000-U565	1000-U567	1000-U569
60 mm	50 mm			
with nut		1000-U606	1000-U608	1000-U610
with earthnut		1000-U607	1000-U609	1000-U611

Further parts see page

- cam with catch up to 1C-120
- Accessories from 1C-180
- Escutcheon 3B-140
- Spare key 12B-140

L-Handle

PROGRAM 1000



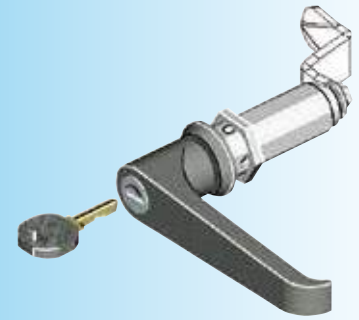
Each cylinder has one silver steel key with polyamide GF grip black, screw and nut m.s.zinc pl., key removable in both positions.

L-Handle, suitable for KABA-cylinder type 1036 for standard locking or master key system on request.

L-Handle		Handle and housing zinc die chrome plated, nut, earthnut and screw m.s. zinc plated, with seal, cylinder zinc die, with stainless steel cap and shutter		
IP 65		non locking	keyed EK 333	keyed different
GH	Ts 1,5 - 8 mm			
18 mm				
	with nut	1000-U14	1000-U15	1000-U16
	with earthnut	1000-U57	1000-U58	1000-U59
30 mm	20 mm			
	with nut	1000-U98	1000-U100	1000-U102
	with earthnut	1000-U99	1000-U101	1000-U103
40 mm	30 mm			
	with nut	1000-U104	1000-U106	1000-U108
	with earthnut	1000-U105	1000-U107	1000-U109
50 mm	40 mm			
	with nut	1000-U110	1000-U112	1000-U114
	with earthnut	1000-U111	1000-U113	1000-U115
60 mm	50 mm			
	with nut	1000-U612	1000-U614	1000-U616
	with earthnut	1000-U613	1000-U615	1000-U617



L-Handle IP 65		Handle, housing zinc die black powder coated, nut, earthnut and scew m.s. zinc plated, with seal, cylinder zinc die with stainless steel cap and shutter.		
GH 18 mm	Ts 1,5 - 8 mm	non locking	keyed EK 333	keyed different
with nut		1000-U353	1000-U390	1000-U391
with earthnut		1000-U392	1000-U393	1000-U394
30 mm	20 mm			
with nut		1000-U354	1000-U356	1000-U358
with earthnut		1000-U355	1000-U357	1000-U359
40 mm	30 mm			
with nut		1000-U360	1000-U362	1000-U364
with earthnut		1000-U361	1000-U363	1000-U365
50 mm	40 mm			
with nut		1000-U366	1000-U368	1000-U370
with earthnut		1000-U367	1000-U369	1000-U371
60 mm	50 mm			
with nut		1000-U618	1000-U620	1000-U622
with earthnut		1000-U619	1000-U621	1000-U623



L-Handle IP 65		Handle, housing, nut and screw AISI 316, with seal		
GH 18 mm	Ts 1,5 - 8 mm	non locking	keyed EK 333	keyed different
with nut		1000-U658	1000-U15-PH	1000-U16-PH

L-Handle IP 65		Handle polyamide black Housing zinc die black powder coated, nut, earthnut and screw m.s. zinc plated, with seal, cylinder zinc die, with stainless steel cap and shutter		
GH 18 mm	Ts 1,5 - 8 mm	non locking	keyed EK 333	keyed different
with nut		1000-U570	1000-U572	1000-U574
with earthnut		1000-U571	1000-U573	1000-U575
30 mm	20 mm			
with nut		1000-U576	1000-U578	1000-U580
with earthnut		1000-U577	1000-U579	1000-U581
40 mm	30 mm			
with nut		1000-U582	1000-U584	1000-U586
with earthnut		1000-U583	1000-U585	1000-U587
50 mm	40 mm			
with nut		1000-U588	1000-U590	1000-U592
with earthnut		1000-U589	1000-U591	1000-U593
60 mm	50 mm			
with nut		1000-U624	1000-U626	1000-U628
with earthnut		1000-U625	1000-U627	1000-U629

Further parts see page
 – cam with catch up to 1C-120
 – Accessories from 1C-180
 – Escutcheon 3B-140
 – Spare key 12B-140



RL

IP 65



IP 65 on request!

Insert is spring loaded
(2 hand operation)



IP 65

Attention:

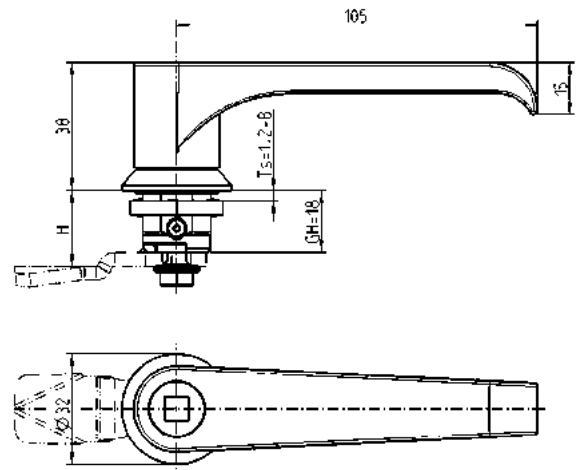
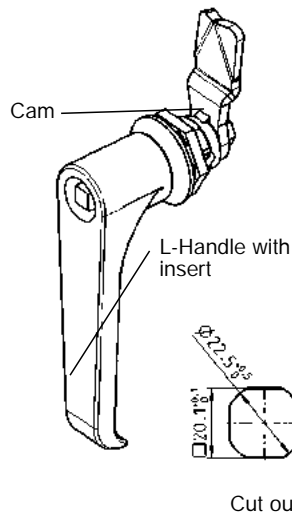
L-Handle is locked when a pad-lock is fitted.

Further parts see page

- cam with catch up to 1C-120
- 1C-180
- Accessories from 1C-340
- Escutcheon 3B-140
- Key 12B-120

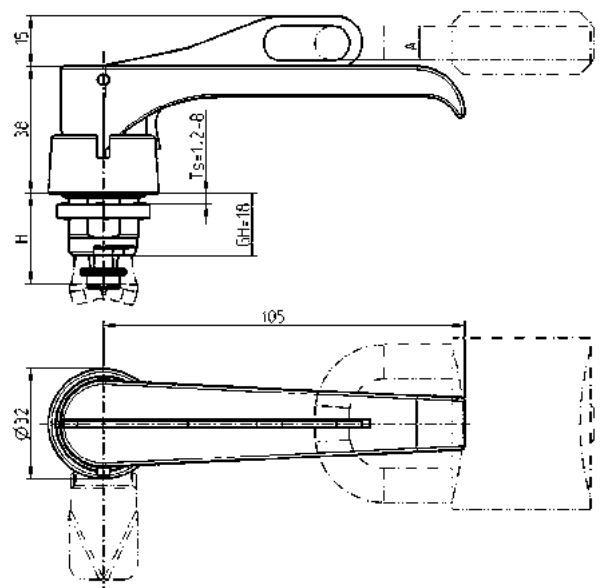
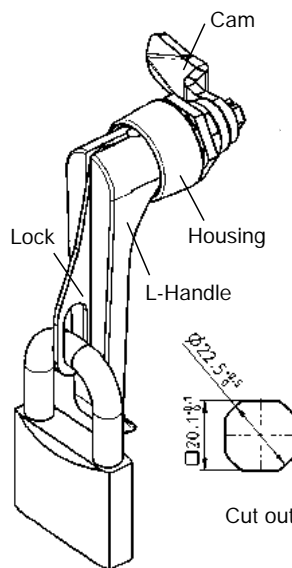
1B-620

(1B-290)



L-Handle with housing and insert zinc die, screw and earthnut m.s. zinc plated, with seal

	chrome pl.	black powder coated		chrome pl.	black powder coated
Square 7	1000-U89	1000-U395	Double bit 5	1000-U94	1000-U400
Square 8	1000-U90	1000-U396	Daimler Benz	1000-U95	1000-U401
Triangular 6,5 CNOMO	1000-U423	1000-U422	Slot 2 x 4	1000-U434	1000-U435
			Slot 1,2 x 3	1000-U656	1000-U657
Triangular 7	1000-U91	1000-U397	Eastern Europe half round Ø 13	1000-U659	1000-U660
Triangular 8	1000-U92	1000-U398			
Double bit 3	1000-U93	1000-U399			



L-Handle with housing zinc die, lock and spring stainless steel, screw and earthnut m.s. zinc plated, with seal

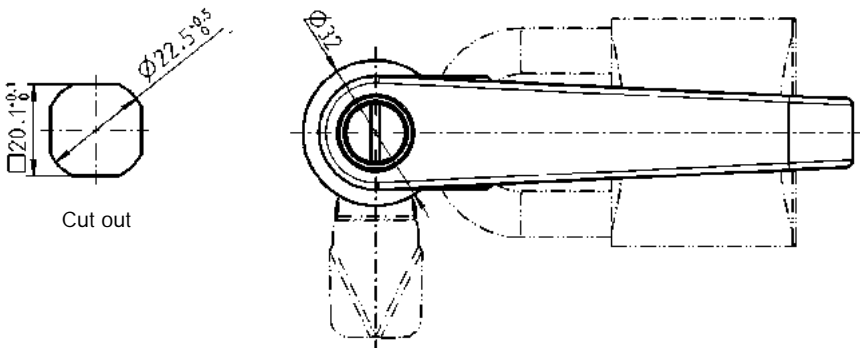
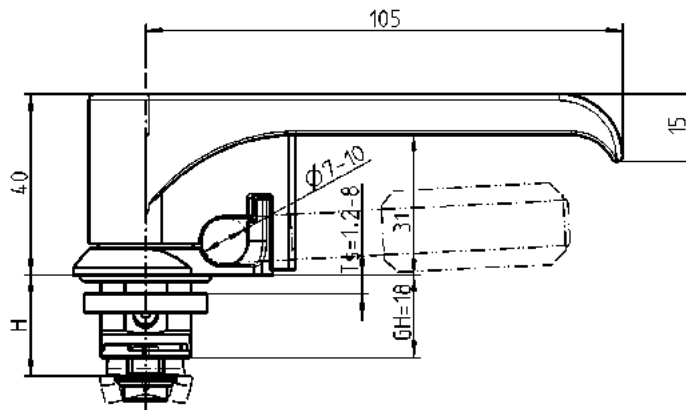
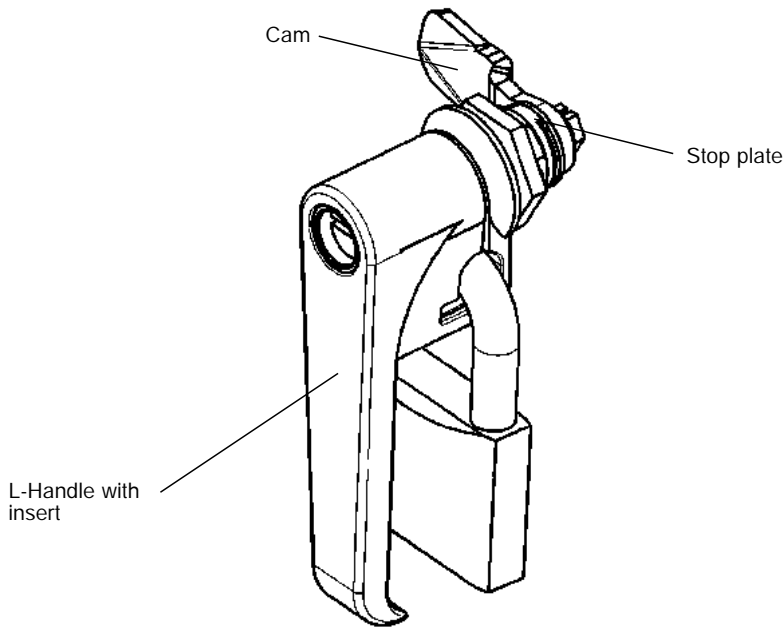
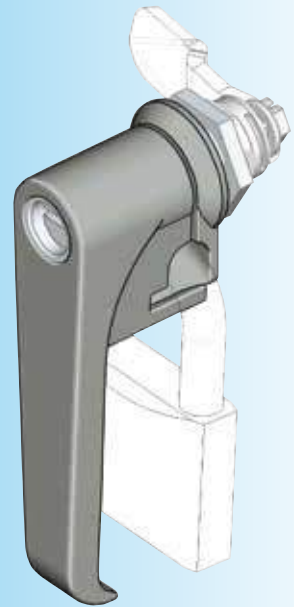
	chrome pl.	black powder coated		chrome pl.	black powder coated
Dim. A = 7	1000-U501	1000-U502	Dim. A = 10	1000-U189	1000-U402

L-Handle for padlock PROGRAM 1000



RL

IP 65



Insert is spring loaded
(2 hand operation)

Attention:
L-Handle is locked when a padlock is fitted.

Further parts see page
 – Cam without catch 1C-120
 – Accessories 1C-360
 1C-380

Further inserts
(see catalogue page 1B-620)
on request!

L-Handle with housing zinc die bl. p.c., stop plate zinc die for version RH and LH, screw and nut m.s. zinc plated, with seal

with insert 2x4 coinproof zinc die chrome plated	1000-U770
without insert	1000-U771



RL

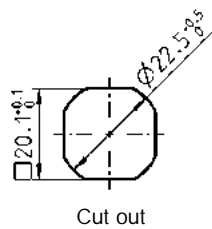
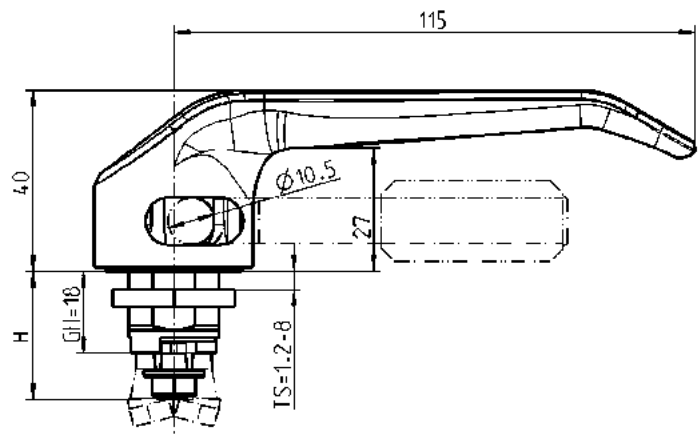
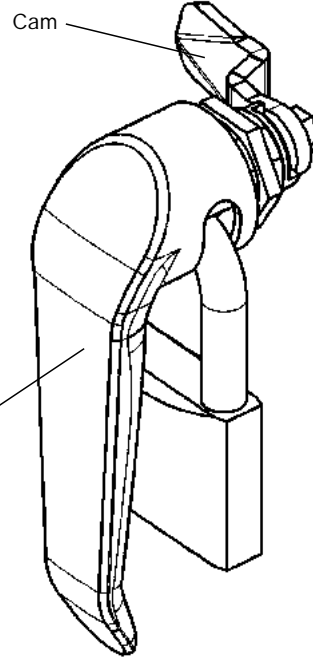
IP 65



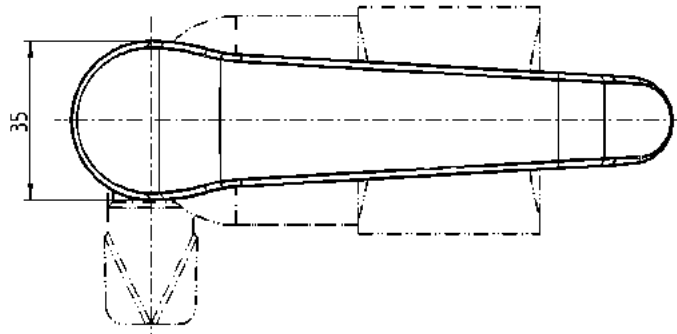
**INOX
AISI
3..**



STAINLESS STEEL



Cut out



Attention:
L-handle is locked when a padlock is fitted.

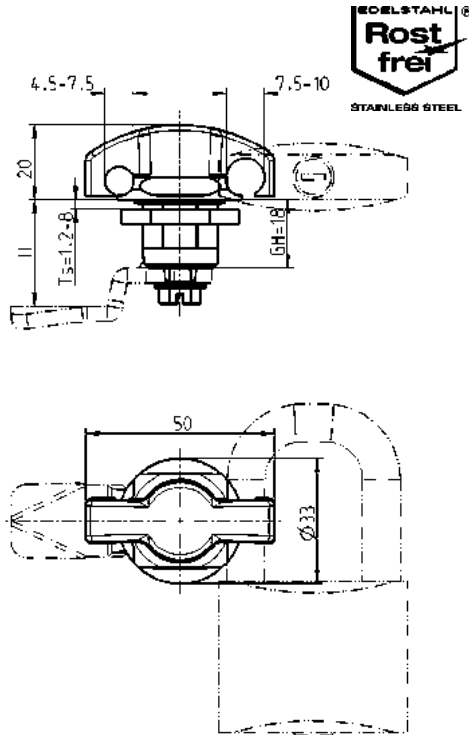
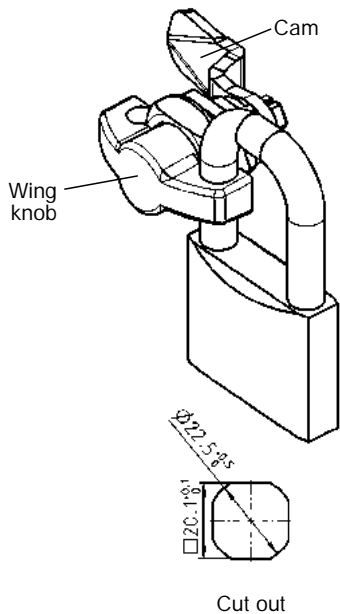
Further parts see page
– cam with pip 1C-120

L-Handle material of your choice
screw and nut m.s. zinc-plated or stainless steel; with seal

Zinc die black powder coated	1000-U860-01AA
Zinc die chrome plated	1000-U860-011A
AISI 316	1000-U860

Quarter turn for padlock

PROGRAM 1000

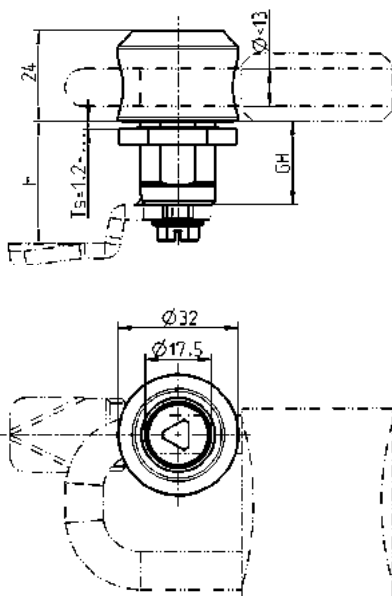
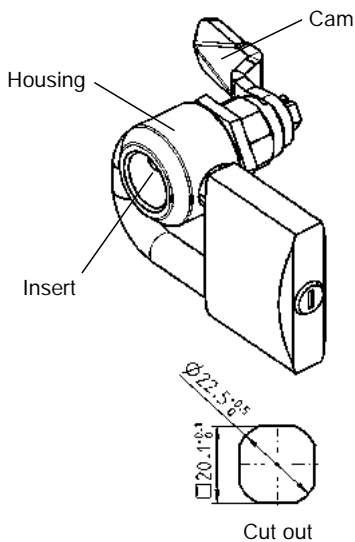


Wing knob and housing zinc die black powder coated, nut and screw m.s. zinc plated, with seal

1000-U429-01

Wing knob quarter turn AISI 316, with seal

1000-U429-01PH

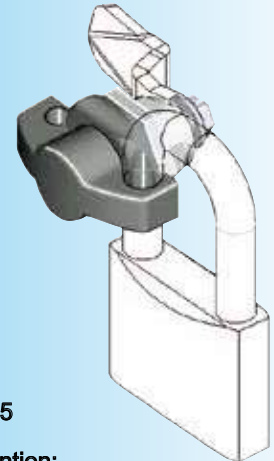


Housing of your choice, nut and earthnut m.s. zinc plated or AISI 303

GH	TS<	Zinc die black powder coated Nut	Zinc die black powder-coated Earthnut	AISI 303 Nut
22	13	1000-U436	1000-U438	1000-U436-PF
32	23	1000-U437	1000-U439	-
42	33	1000-U734	1000-U735	-

© EMKA Beschlagteile GmbH & Co. KG • 2018 • www.emka.com

Beschlagteile



IP 65

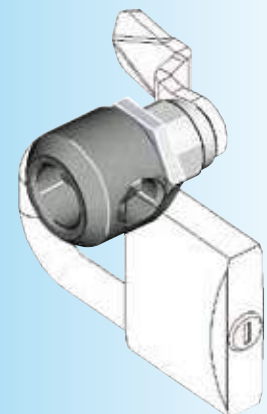
Attention:

In case of an attached padlock with suitable shackle Diameter, the wing knob cannot be moved.

For shackle \varnothing 4.5 to 10

Further parts see page

- Cam with catch up to 1C-120
- Accessories from 1C-180 to 1C-340



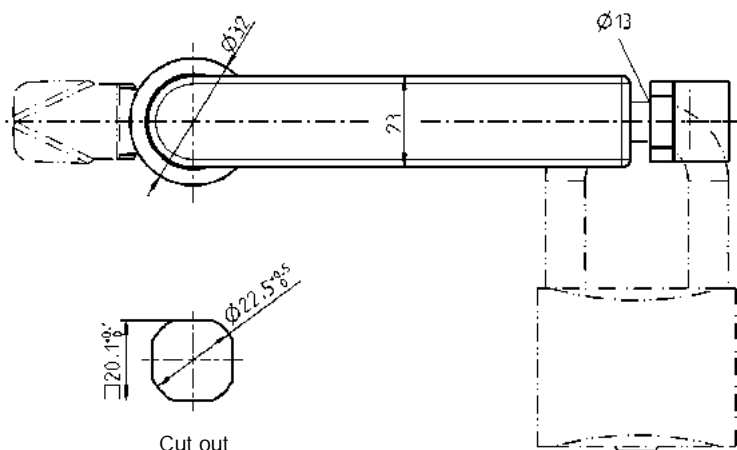
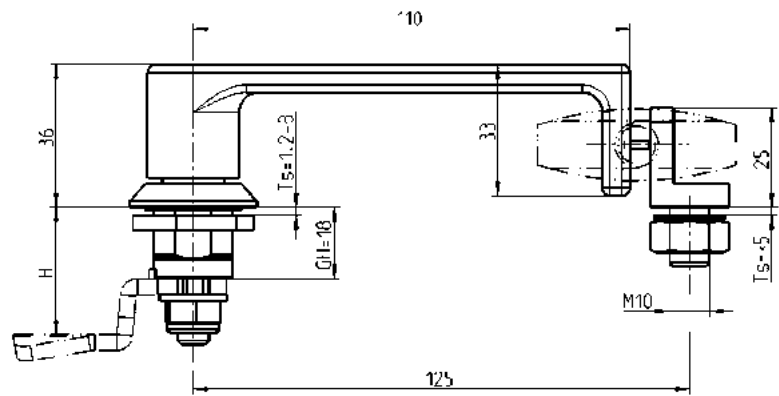
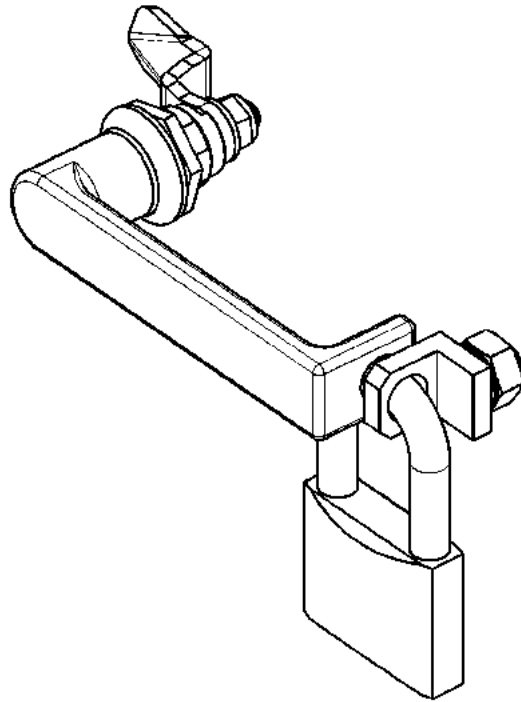
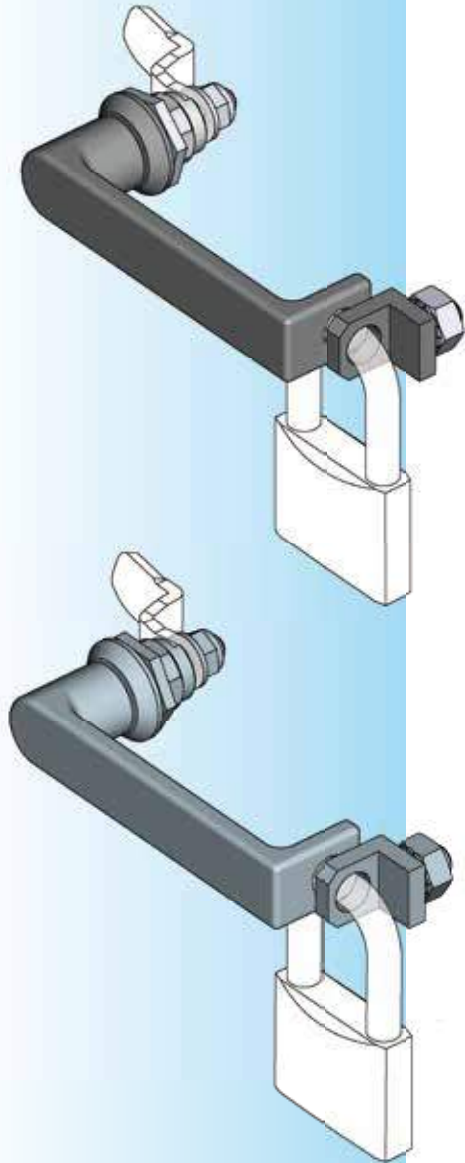
For shackle $\leq \varnothing$ 13

Note:

Quarter turn assembling 1B-105

Further parts see page

- Insert 1B-140
- IP 65 or IP 66 1B-140
- Cam with catch 1C-120
- Accessories from 1C-340
- Escutcheon 3B-140
- Key 12B-120



Further parts see page
– cam with catch

1C-120

Handle, housing and angle steel as requested; nut and washers m.s. zinc plated or stainless steel with seal

cast steel black powder coated

1000-U857

AISI 316

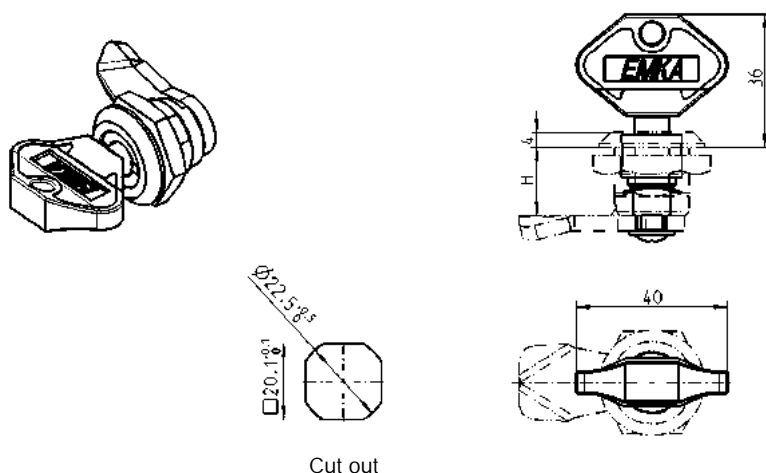
1000-U842

Clip-in key, wing knob for insert

PROGRAM 1000

Clip-in key

Key can be used as handle



The key clips into the insert with its clip-in arms and is captivated. The key cannot be removed without destruction unless lock is disassembled.

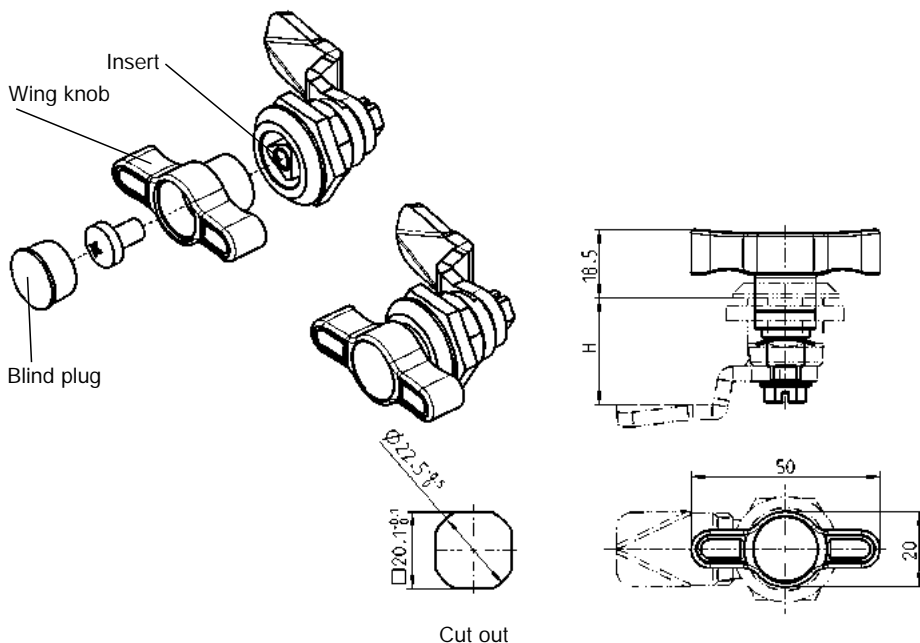
Insert Polyamide black; spring washer and self-cutting screw m.s. zinc plated

Double bit 3	1000-U745	Double bit 5	1000-U744
--------------	-----------	--------------	-----------

Key polyamide black

Key nat.rail. 3	1004-34-01	Key nat.rail. 5	1004-33-01
-----------------	------------	-----------------	------------

Wing knob for insert



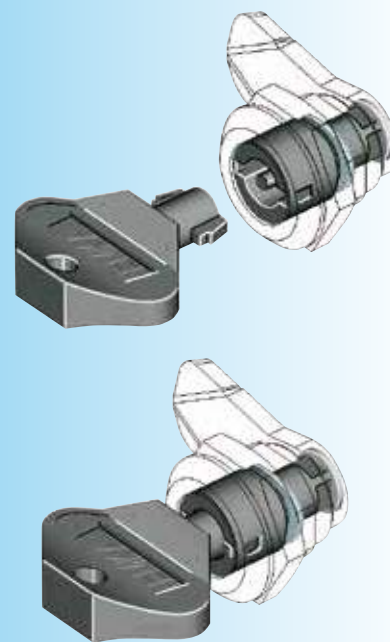
Wing knob polyamide GF black; blind plug PE black; Fixing material m.s. zinc plated

for square 8	1000-U764	for triangular 10	1000-U762
--------------	-----------	-------------------	-----------

Insert with M6 female thread zinc die zinc plated

Square 8	1000-U765	Triangular 10	1000-U763
----------	-----------	---------------	-----------

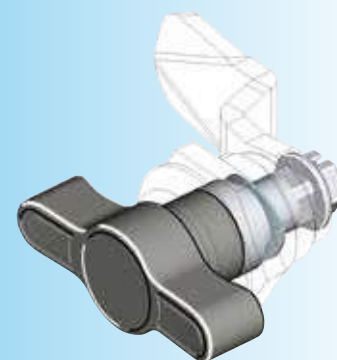
RL



Key can be used as handle

Further parts see page

– Housing and cam 1B-160



Note:

Quarter turn assembly 1B-105

Further parts see page

– Housing 1B-140
1B-160
– cam with catch 1C-120
up to 1C-180
– Accessories from 1C-340

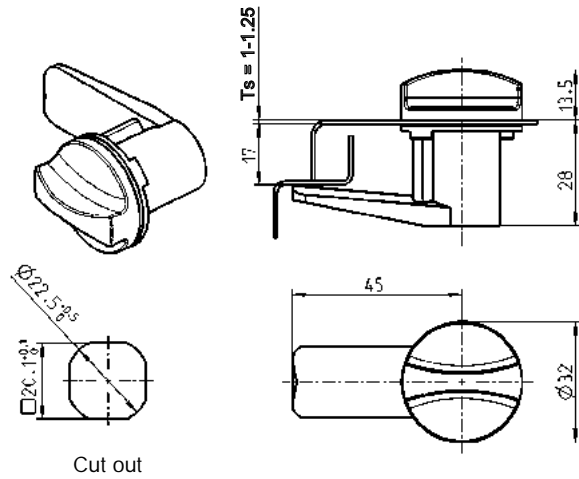


IP 40

Advantage:
Easy to install

Easy to assemble by using
plug in plastic parts

Clip in quarter turn



Clip in quarter turn polyamide GF, RH/LH version

black	1000-U349
grey RAL 7032	1000-U350

Housing for quarter turn

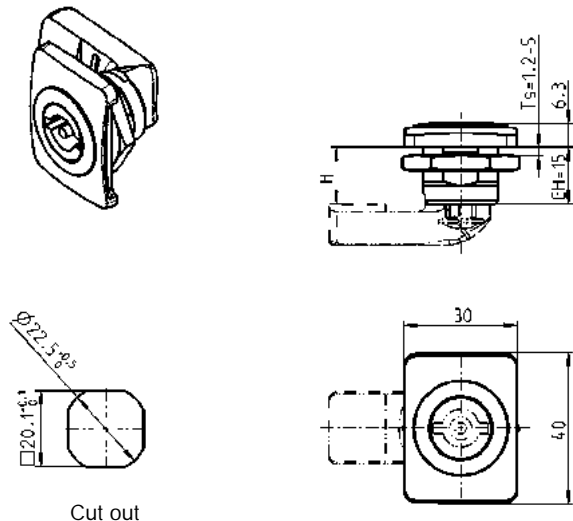


Attention:
When selecting a cam the
H-dimension reduced by 3 mm

Note:
Quarter turn assembling 1B-105

Further parts see page
– Insert 1B-140
– cam with catch 1C-120
(GH = 18)
Attention : When selecting
these cams, note the H-dimen-
sion is reduced by 3mm.

– Key 12B-120



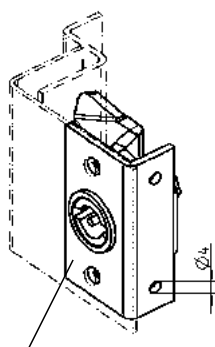
Housing polyamide GF black, nut m.s. zinc plated

RH version	1000-U740
LH version	1000-U740-01
IP 65 with:	
Flat seal	1000-23
O-ring	1000-24
IP 66 with:	
Sealing device	1000-U769

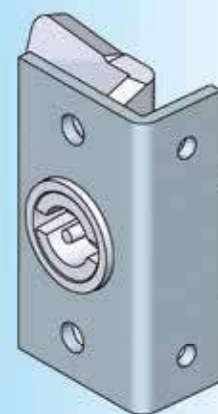
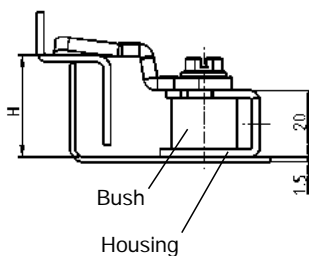
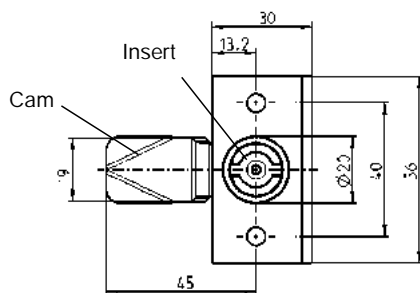
Quarter turn screw-on or weld-on

PROGRAM 1000

Beschlagteile

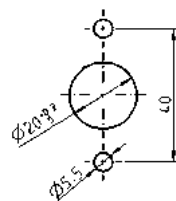


On request bush flush with housing



Cam m.s. zinc plated Dim. H in mm

6	1000-112
8	1000-22
10	1000-113
12	1000-21
15	1000-20
16	1000-19
18	1000-18
20	1000-17
22	1000-16
24	1000-15
26	1000-14
27	1000-27
28	1000-50
30	1000-13
32	1000-28
34	1000-26
36	1000-12
37	1000-11
38	1000-51
40	1000-52
42	1000-25
44	1000-53
46	1000-54
49	1000-55
52	1000-56



Cut out
No need for holes
Ø 5,5 when weld-
ed.

Housing m.s. raw with bush zinc die zinc pl.

RH version as drawn	1057-U1
LH version	1057-U2
Housing on request also zinc plated	

Further parts see page

– Insert 1B-140
– Key 12B-120

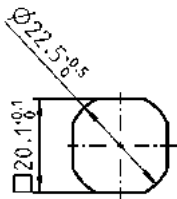
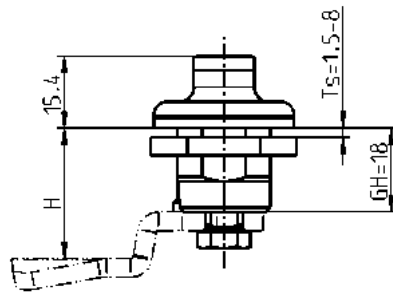
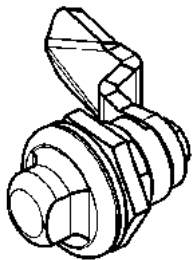
Quarter turn stainless steel for hygienic areas

PROGRAM 1000

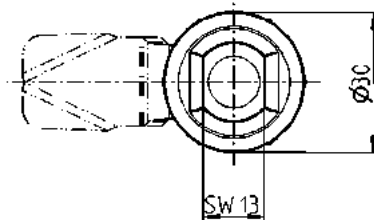
Quarter turn for hygienic areas for food and medical sector



Stainless steel quarter turns with flat gasket flush on the outside



Cut out



Note:

The quarter turns for hygienic areas meet the hygiene requirement acc. to DIN EN 1672-2, DIN EN 14159 and EHEDG Dok.8.

The gaskets meet the requirements of the FDA 21 CFR 177.2600 and VO 1935/2004.

Quarter turn for hygienic areas AISI 303 or 316, with seal

AISI 303 - for food sector	1000-U838-02PF
----------------------------	----------------

AISI 316 - for food and medical sector	1000-U838-02
--	--------------

Key zinc die

	1004-53
--	---------

Further parts see page

– Cam with catch 1C-120
(GH = 18)

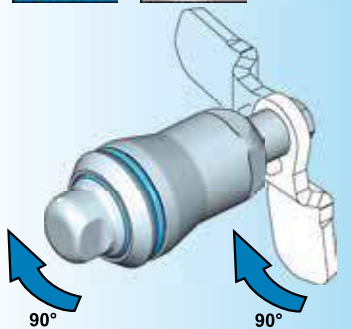


The quarter turn for hygienic areas meets the hygiene requirement acc. to DIN EN 1672-2 and DIN EN 14159

This item is completely IP 65, not only from outside to inside (common standard), but also within the application.

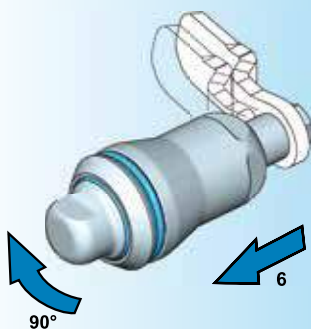
Tamper and vibration-proof

The compression latch is designed to be vibration-proof as such. Depending on the installation location and the operating conditions specific tests are required and/or supplementary measures for fixing necessary.



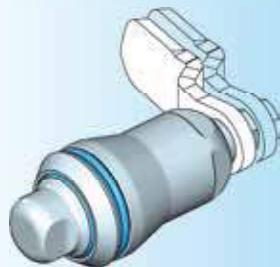
Open condition

By turning the insert by 90°, the cam is turn.



Closed condition

By turning the insert another 90°, the cam is axially drawn by 6 mm towards the door.

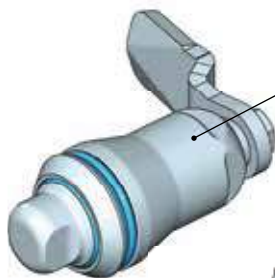


Compressed condition

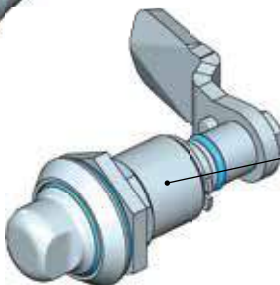
Open:
Reversed rotation

Further parts see page
– Cam with or without catch

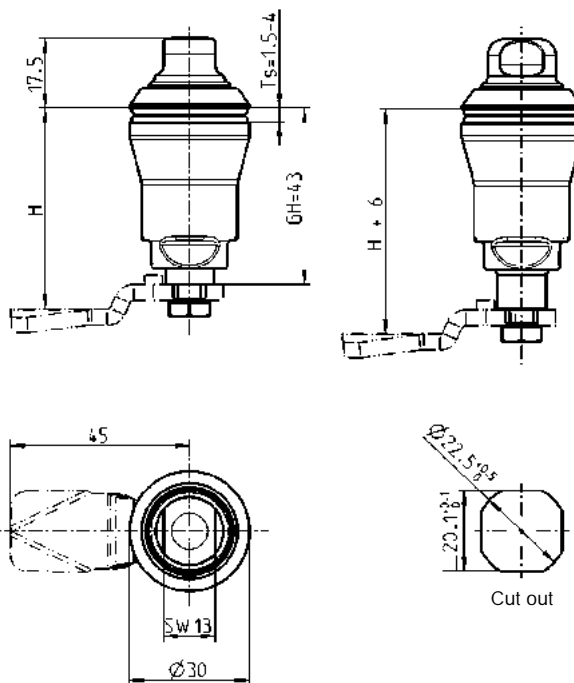
1C-120



1000-U861
Version for hygienic Areas for outside and inside the cabinet



1000-U862
Version for hygienic areas for outside the cabinet, not for inside



Compression latch for hygienic areas AISI 316L; with spring and seal

Version for hygienic areas for inside and outside of cabinet

on request

Version for hygienic areas for outside the cabinet, not for inside

1000-U862

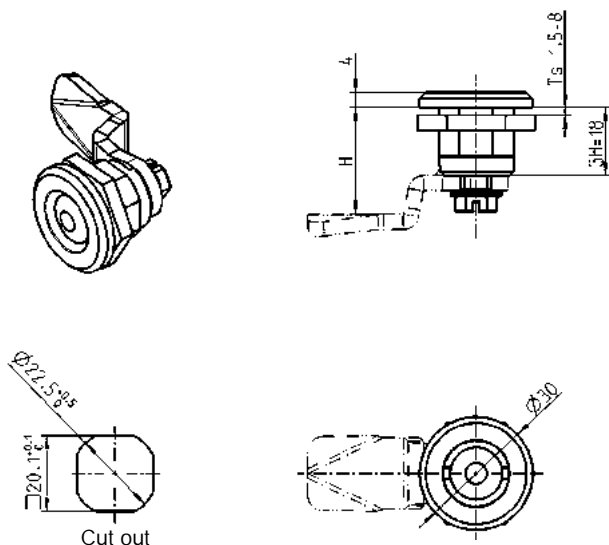
Key zinc die raw

1004-53

Quarter turns

PROGRAM 1000

Quarter turn for Swedish power companies
EBR-standard



Housing with insert zinc die chrome plated, screws and nut m.s. zinc plated

1000-U768

IP 65 achieved through:

Flat seal

1000-23

O-ring

1000-24

IP 66 is achieved by:

Seal set

1000-U769

Assembly on request:

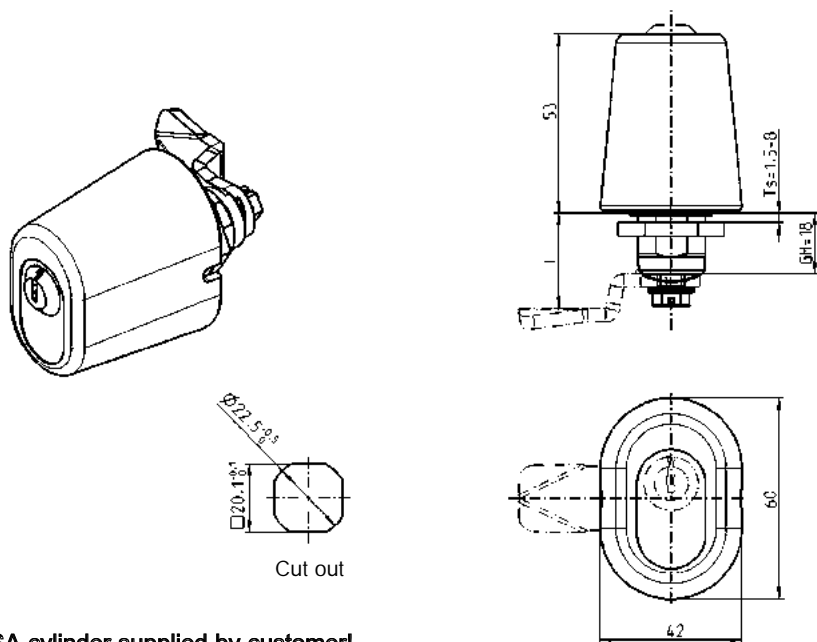
without O-ring

1000-990

with O-ring

1000-991

Wing knob quarter turn for ASSA-cylinder



ASSA cylinder supplied by customer!

Handle Polyamide black, housing zinc die zinc plated,
screws and nut m.s. zinc plated, with seal

1000-U653



Further parts see page

– cam with catch up to 1C-120
– Accessories from 1C-180



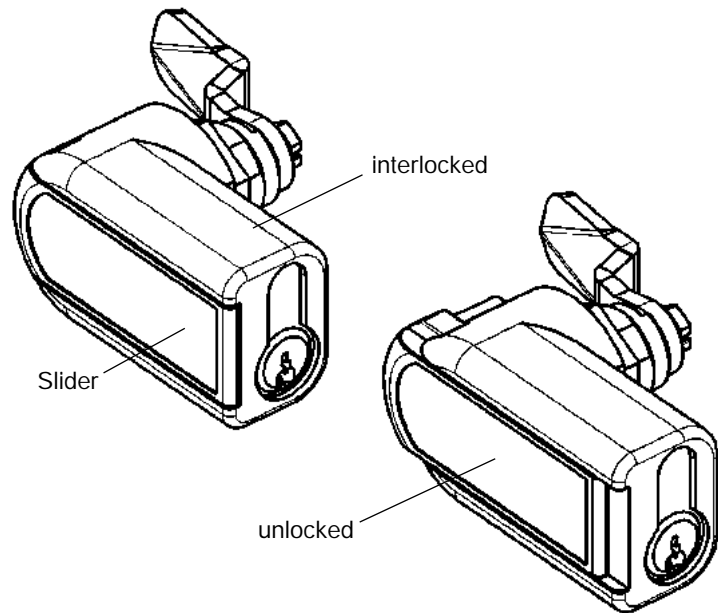
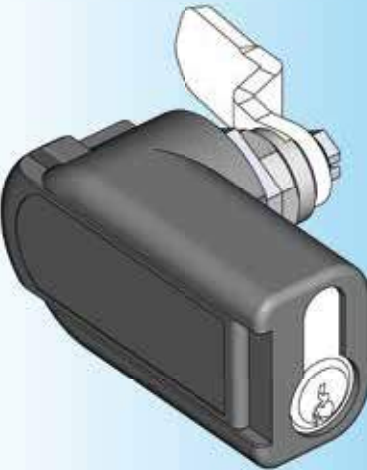
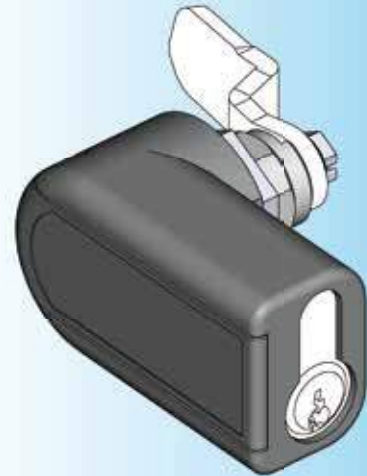
Further parts see page

– cam with catch up to 1C-120
– Accessories from 1C-180

Quarter turn for profile half cylinder

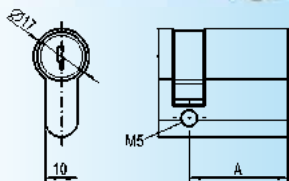
PROGRAM 1000

Tamper and vibration proof with profile half cylinder acc. to DIN 18252 (EN1303)



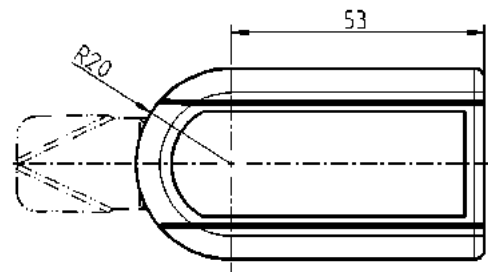
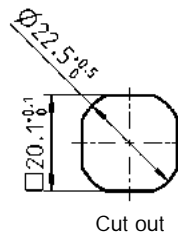
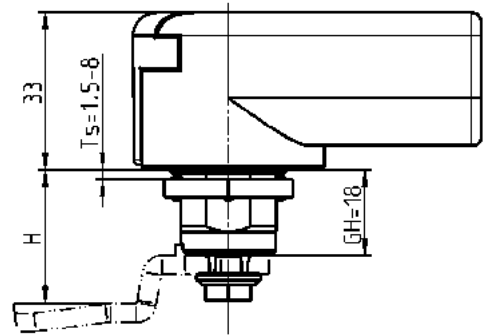
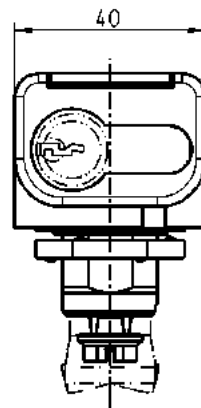
Locking with EMKA profile half cylinder
Locking possible without key.

Locking process with profile half cyl. acc. to DIN 18253
Locking only possible with key.



Profile half cyl. acc. to DIN 18252 (EN 1303)

The locking cam has to be between 3 and 5 o'clock locking position.



Further parts see page

- cam with catch 1C-120
 - Profile half cylinder 3XB-120
- (Attention: the use of push button profile half cylinder and blind plug is not possible)

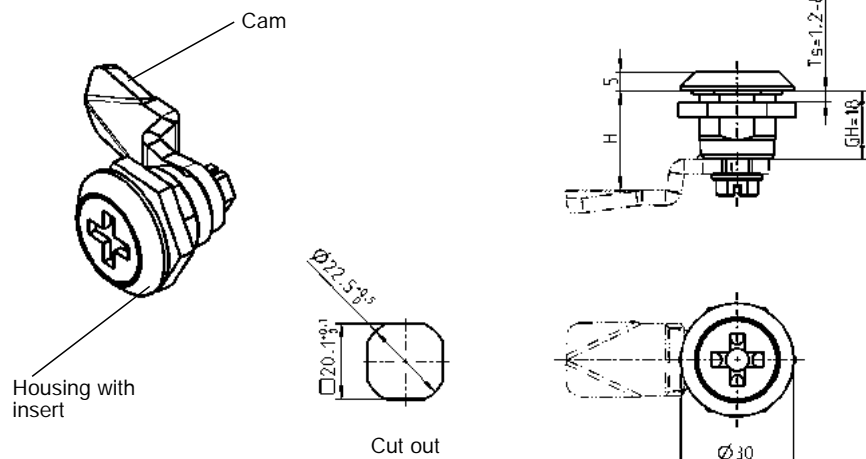
Housing zinc die, handle polyamide GF black, earthnut and screw m.s. zinc plated

1000-U837

FIAT and nat. railway quarter turns

PROGRAM 1000

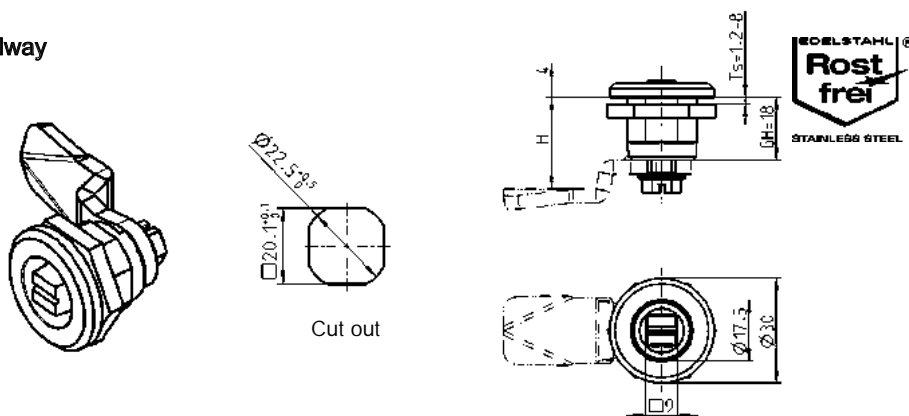
Fiat



Housing* with insert zinc die chrome plated, screw, nut and earth nut
m.s. zinc plated, with seal

	Nut	Earth nut
	1000-U426	1000-U427

Nat. railway



Housing zinc die surface as requested, screw, nut and earth nut m.s. zinc plated,
insert as requested

Insert m.s. zinc plated	Nut	Earth nut
Housing chrome plated	1000-U431	1000-U499
Housing black powder coated	1000-U432	1000-U500
Insert zinc die chrome plated	Nut	Earth nut
Housing Chrome plated	1000-U431-01	-
Housing with insert, screw and nut AISI 304	1000-U431-PF	-

IP 65 is achieved by

Flat seal		1000-23
O-ring		1000-24

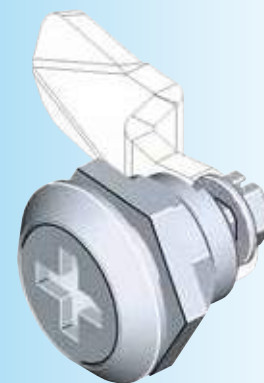
IP 66 is achieved by:

Seal-set		1000-U769
----------	--	-----------

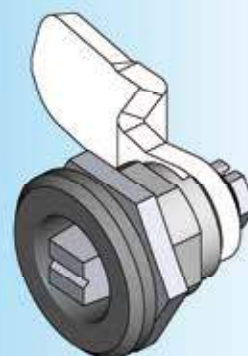
Assembly on request:

without O-ring		1000-990
with O-ring		1000-991

Beschlagteile



* = IP 65



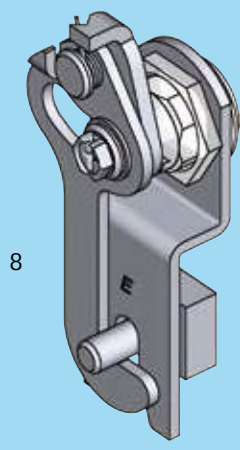
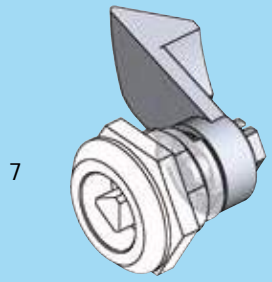
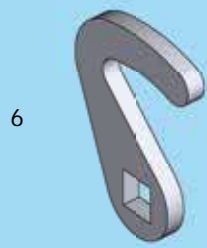
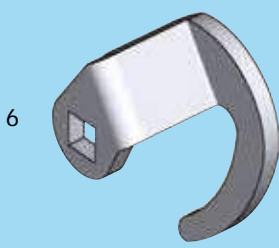
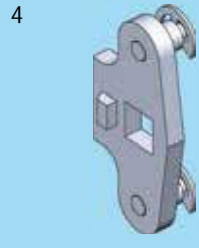
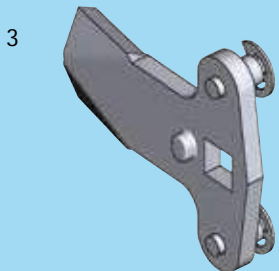
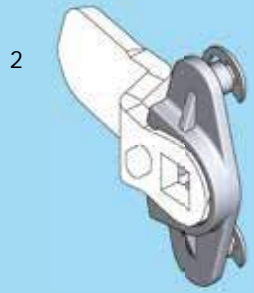
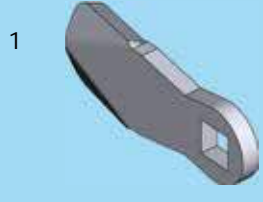
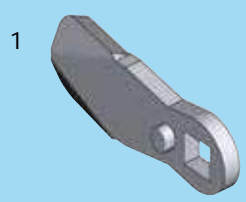
Note:

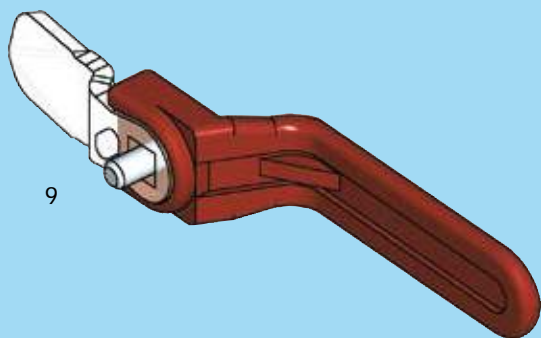
Quarter turn assembly 1B-105

Further parts see page

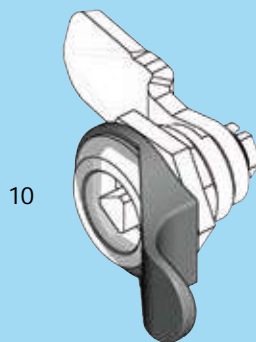
- cam with catch up to 1C-120
- Accessories from 1C-180
- Escutcheon 3B-140
- Key 12B-120

Quarter turn accessories standard version Program 1000

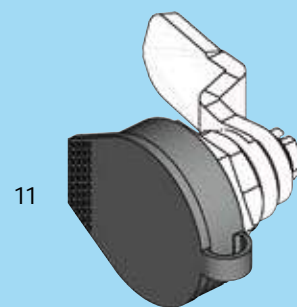




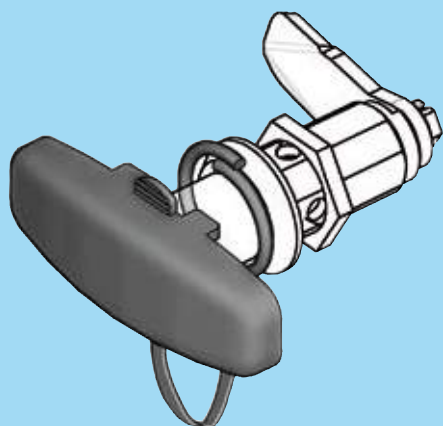
9



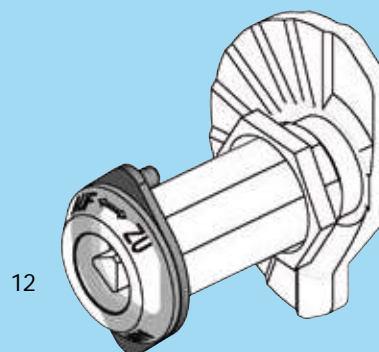
10



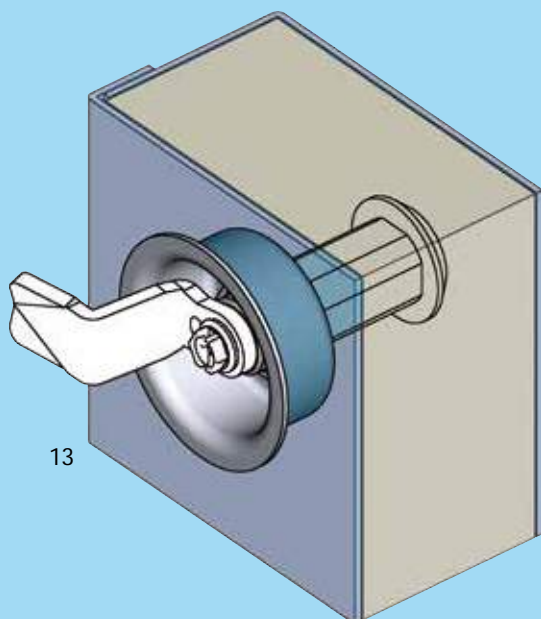
11



11



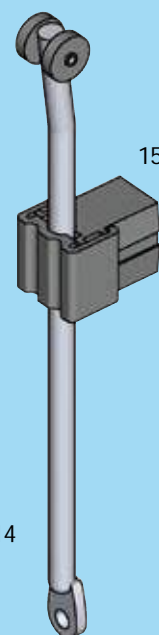
12



13



14



14

- | | | |
|----|-------------------------------------|----------------|
| 1 | Cam with and without pip | 1C-120, 1C-137 |
| 2 | Rod control for steel and stainless | 1C-120 |
| 3 | Cam with rod control | 1C-120 |
| 4 | Rod control | 1C-120 |
| 5 | Ramp | 1C-170 |
| 6 | Hooked cam | 1C-160 |
| 7 | Slam cam | 1C-180 |
| 8 | Hook lever assembly | 1C-180 |
| 9 | Internal handle for cams | 1C-170 |
| 10 | Finger pull | 1C-320 |
| 11 | Dust cap | 1C-320, 1C-340 |
| 12 | Rotation prevention | 1C-360 |
| 13 | Dish for quarter turn | 1C-380 |
| 14 | Rod | 1C-620 |
| 15 | Rod guide | 1C-630, 1C-640 |



1C-100

Cam with catch

Cam without catch

PROGRAM 1000

1 Quarter turns

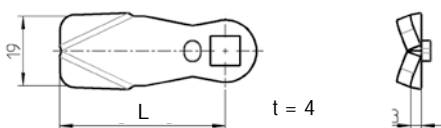


Cam with catch

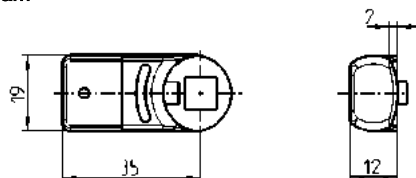


Cams without stopper on request.

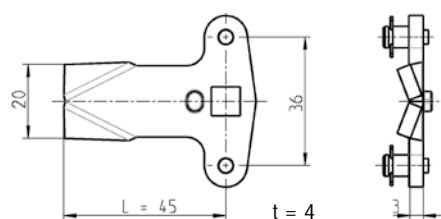
Version 1
Cam



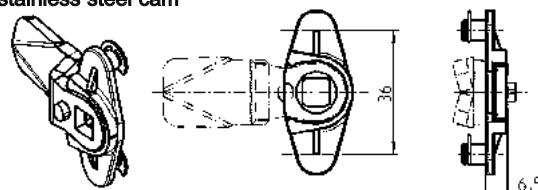
Version 2
Cam



*Version 3
Cam with rod control



*Version 4
Rod control for steel cam or stainless steel cam



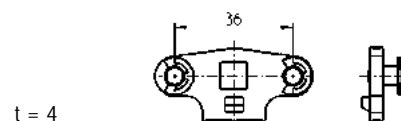
Rod control zinc die, zinc plated circlip m.s. zinc plated

1000-U776

Rod control AISI 316, circlip stainless steel

1000-U776-PH

*Version 5
Rod control



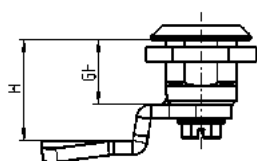
2-point rod control m.s. zinc plated

1000-U167

Cam with catch material as requested

H dimensions for GH ≡

H dimensions for GH ≡														Version 1	
18	22	28	30	31	32	36	39	40	42	43	45	50	60	L ≡ 45	m.s. zinc plated
4	8	14	16	17	18	22	25	26	28	29	31	36	46		1000-112
6	10	16	18	19	20	24	27	28	30	31	33	38	48		1000-22
8	12	18	20	21	22	26	29	30	32	33	35	40	50		1000-113
10	14	20	22	23	24	28	31	32	34	35	37	42	52		1000-21
13	17	23	25	26	27	31	34	35	37	38	40	45	55		1000-20
14	18	24	26	27	28	32	35	36	38	39	41	46	56		1000-19
15	19	25	27	28	29	33	36	37	39	40	42	47	57		-
16	20	26	28	29	30	34	37	38	40	41	43	48	58		1000-18
18	22	28	30	31	32	36	39	40	42	43	45	50	60		1000-17
20	24	30	32	33	34	38	41	42	44	45	47	52	62		1000-16
22	26	32	34	35	36	40	43	44	46	47	49	54	64		1000-15
24	28	34	36	37	38	42	45	46	48	49	51	56	66		1000-14
25	29	35	37	38	39	43	46	47	49	50	52	57	67		1000-27
26	30	36	38	39	40	44	47	48	50	51	53	58	68		1000-50
28	32	38	40	41	42	46	49	50	52	53	55	60	70		1000-13
30	34	40	42	43	44	48	51	52	54	55	57	62	72		1000-28
32	36	42	44	45	46	50	53	54	56	57	59	64	74		1000-26
34	38	44	46	46	48	52	55	56	58	59	61	66	76		1000-12
35	39	45	47	48	49	53	56	57	59	60	62	67	77		1000-11
36	40	46	48	49	50	54	57	58	60	61	63	68	78		1000-51
38	42	48	50	51	52	56	59	60	62	63	65	70	80		1000-52
40	44	50	52	53	54	58	61	62	64	65	67	72	82		1000-25
42	46	52	54	55	56	60	63	64	66	67	69	74	84		1000-53
44	48	54	56	57	58	62	65	66	68	69	71	76	86		1000-54
45	49	55	57	58	59	63	66	67	69	70	72	77	87		1000-10
47	51	57	59	60	61	65	68	69	71	72	74	79	89		1000-55
50	54	60	62	63	64	68	71	72	74	75	78	82	92		1000-56

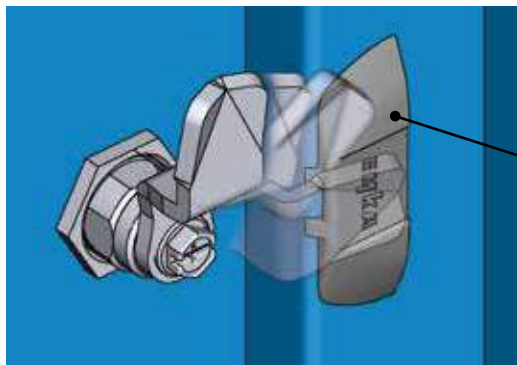


minus offset

↑
straight version

↓
plus offset

* When using cams for rod operation you must be aware that the rods travel in an axial direction.



The leading ramp increases the compression by 4 mm.
see catalogue page 1C-170



Note:

This catalogue page does not show all available cams.
Other versions such as:
– Cam without pip
– Cams with other H- and L- dimension
– Cams with spoon in the opposite direction
– etc.
please ask.

Version 1		Version 1		Version 2	Version 3
L ≙ 45 AISI 304	L ≙ 45 AISI 316	L ≙ 35 m.s. zinc plated	L ≙ 35 polyamide GF black ①	polyamide GF black	m.s. zinc plated
-	-	-	-	-	1000-U63
1000-221	1000-221-PD	-	-	-	1000-U21
-	-	-	-	-	1000-U64
1000-223	1000-223-PD	-	-	-	1000-U22
-	-	-	-	-	1000-U23
1000-225	1000-225-PD	-	-	-	1000-U24
-	-	-	1000-5043-SI	-	-
-	-	-	-	-	1000-U25
1000-227	1000-227-PD	1000-5046	1000-5046-SI	1000-386-18	1000-U26
1000-228	1000-228-PD	1000-5161	-	1000-386-20	1000-U27
1000-179	1000-179-PD	1000-5119	-	1000-386-22	1000-U28
1000-229	1000-229-PD	-	-	1000-386-24	1000-U29
-	-	-	-	-	1000-U30
1000-230	1000-230-PD	-	-	-	1000-U31
1000-180	1000-180-PD	1000-5164	-	1000-386-28	1000-U32
-	-	-	-	1000-386-30	1000-U33
-	-	-	-	-	1000-U34
-	-	-	-	-	1000-U35
-	-	-	-	-	1000-U36
-	-	-	-	-	1000-U37
-	-	-	-	-	1000-U38
-	-	-	-	-	1000-U39
-	-	-	-	-	1000-U40
-	-	-	-	-	1000-U41
-	-	-	-	-	1000-U42
-	-	-	-	-	1000-U43
-	-	-	-	-	1000-U44

① only for light doors and covers

Note:
The H dimension of the cam increases by 4mm when using the leading ramp (see page 1C-170)

The H dimension will be reduced by 2 mm when used with the finger pull (see page 1C-320)

Further parts see page

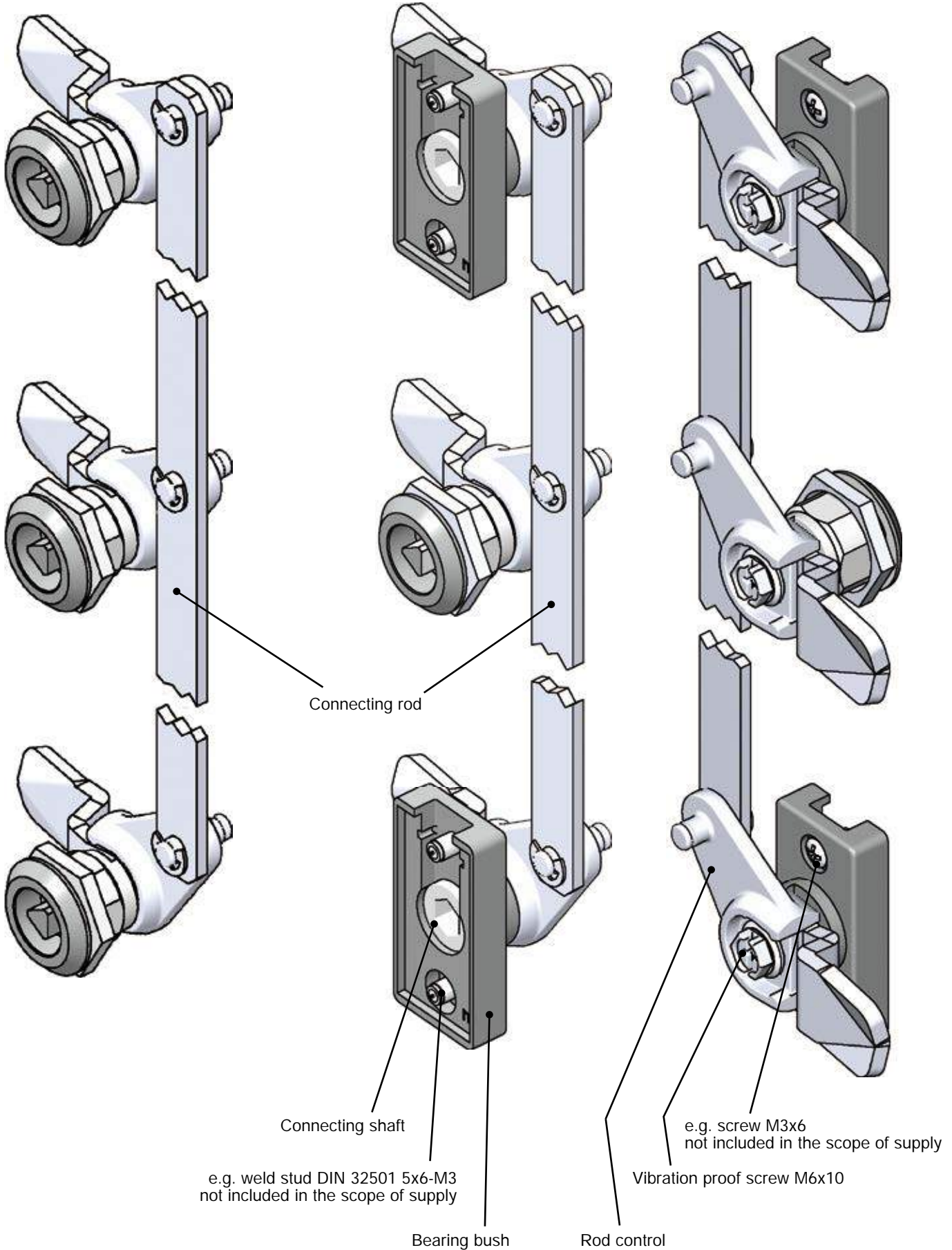
- Ramp 1C-170
- Rod 1C-620
- Quarter turns 1B-120
1B-140
1B-180
1B-220
1B-230
1B-320
up to 1B-335
1B-360
up to 1B-760
1B-835
up to 1B-860
1C-170
- Inside handle
- Swinghandle 1152 with compression 3C-540
- Swinghandle 3N-120
- Heavy duty latch 10A-620
10A-640

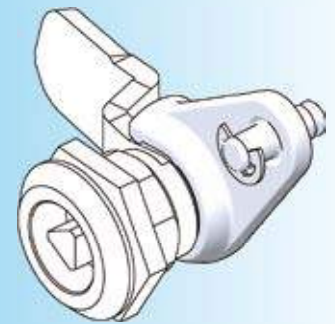
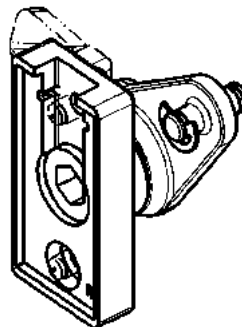
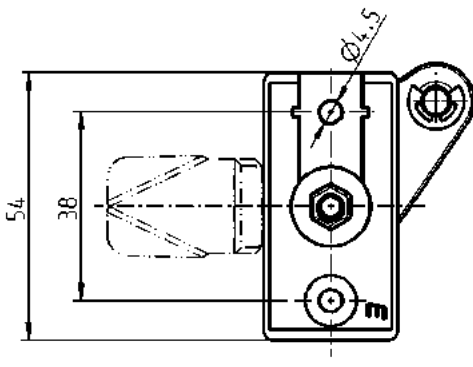
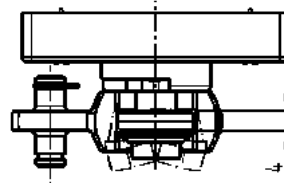
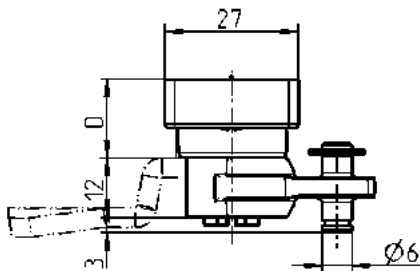
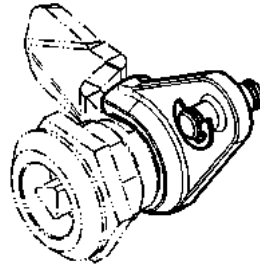
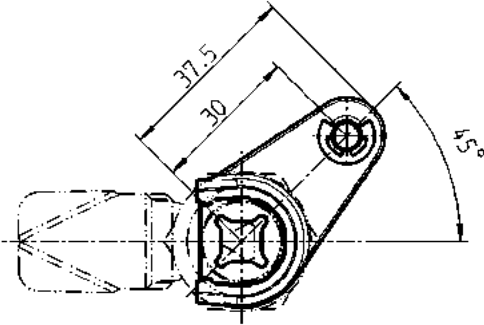
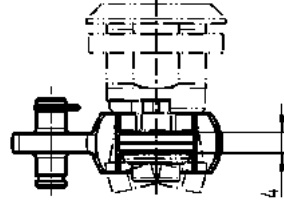
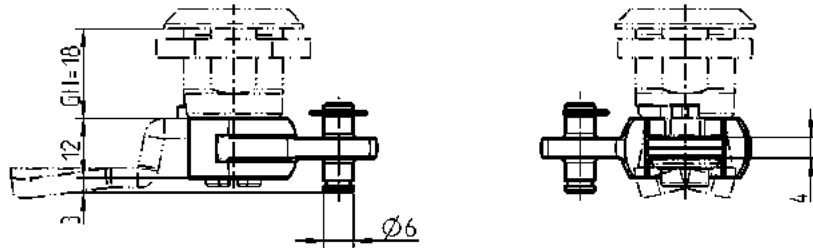
Rod control for multi-point locking

PROGRAM 1000

Example with three quarter turns

Example with one quarter turn and two bearing bushes





Rod control zinc die, zinc plated or AISI 316; circlip m.s. zinc plated or stainless steel

Zinc die zinc plated	1000-U874
AISI 316	1000-U874-VA

Bearing bush Polyamide GF black

door gauge	Dim. D	with stopper left	with stopper right
1,5	16,5	1125-83-015	1125-84-015
2,0	16,0	1125-83-020	1125-84-020

Connecting shaft zinc-die

1000-556-KA

Vibration-proof screw M6x10 for connecting shaft m.s. zinc-plated

1000-277-01JB

Connecting rod m.s. zinc-plated

Length, number of bore holes and spacing according to customer specifications on request

Note:

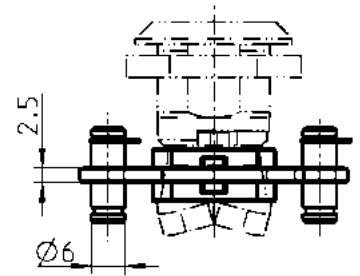
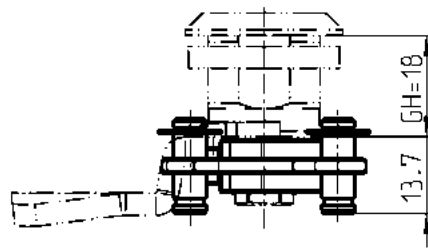
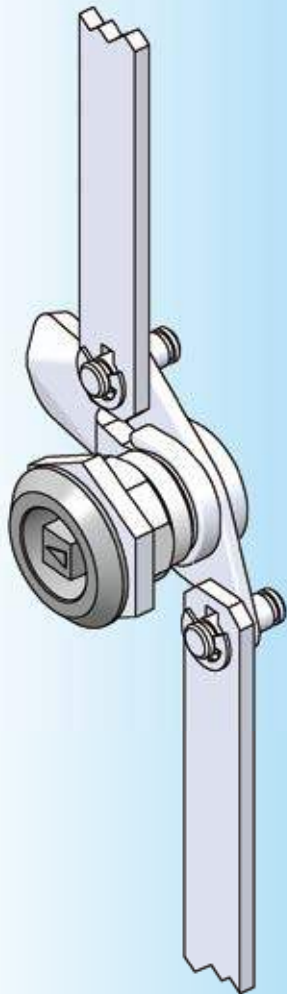
When using the rod control for multi-point locking, the screw-in depth of the screw is reduced by 4 mm

Further parts see page

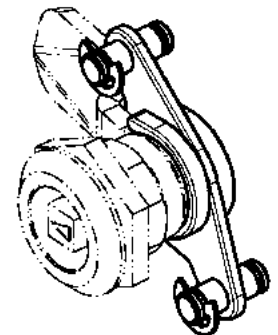
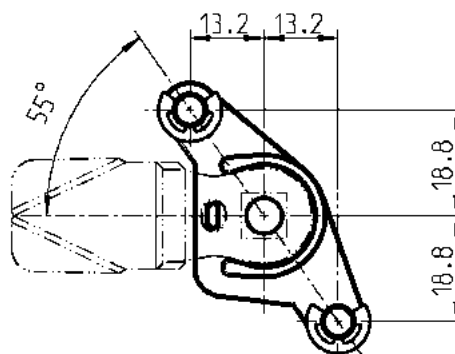
- Cam (Version 1)	1C-120
- Quarter turns	1B-120
(only for GH = 18)	1B-140
	1B-330
	1B-332
(only 1x lockable)	1B-520
(only 1x lockable)	1B-540
(only 1x lockable)	1B-560
(only 1x lockable)	1B-580
(bottom)	1B-720
(not with bearing bush)	1B-820
(bottom only 1x)	1B-840
(only 1x)	1B-850
(bottom)	1B-860



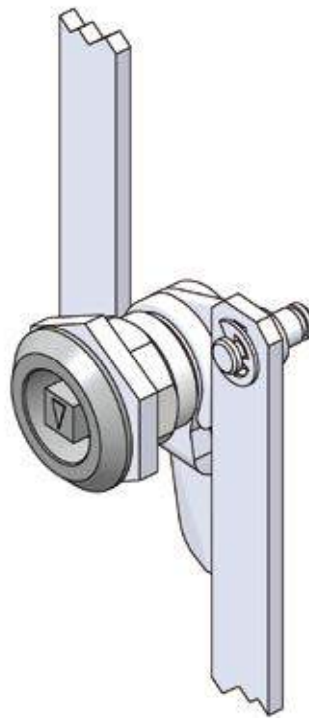
Only cams with stopper of steel and stainless steel can be used



Stroke 32 mm



Rod control in open position



Attention:
Only cams with stopper of steel and stainless steel can be used.

Note:
When using the rod control for cam, the screw-in depth of the screw is reduced by 2.5 mm

Further parts see page

- Cam (type 1) 1C-120
- Ramp 1C-170
- Quarter turns 1B-120
- 1B-140
- 1B-320
- 1B-335
- 1B-360
- 1B-520
- up to 1B-690
- (bottom) 1B-720
- 1B-820
- 1B-840
- 1B-850
- 1B-860
- Connecting rod 3ZB-420

Attention: The rod length is reduced by 5.8 mm, as the stroke amounts to 32 mm

Rod control zinc die zinc plated; retaining washer m.s. zinc plated

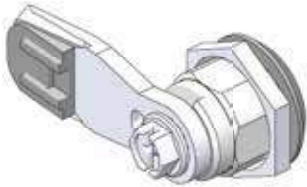
1150-U63

Slide shoe for cam

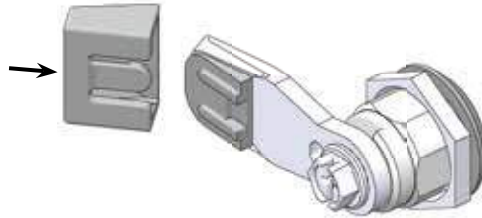
PROGRAM 1000

For cams of steel and stainless steel

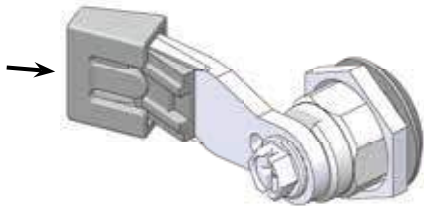
1.



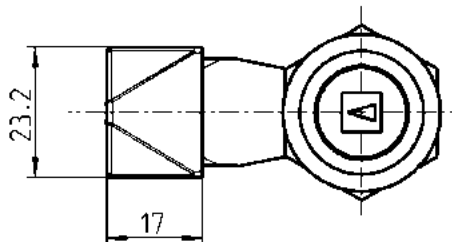
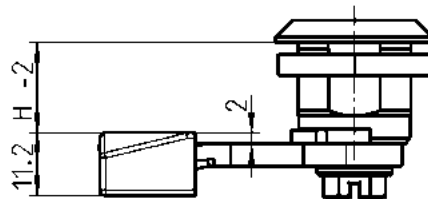
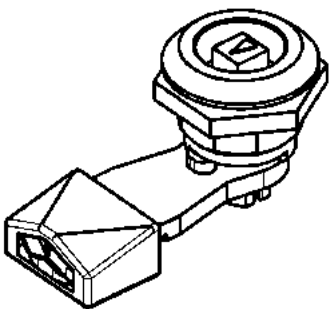
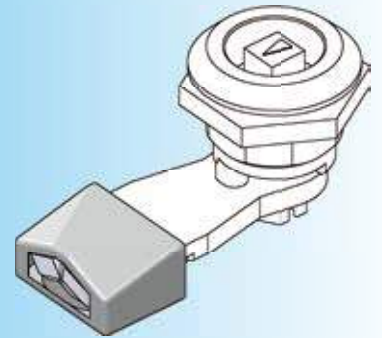
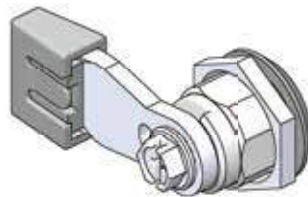
2.



3.



4.



Note:

For cams of steel and stainless steel

If the guiding shoe for the cam is used, the H dimension is reduced by 2 mm

Further parts see page

– Cam (type 1)

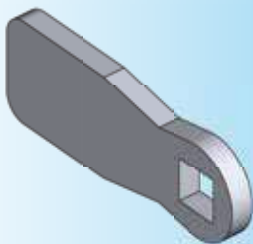
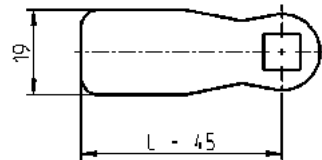
1C-120

Slide shoe POM black

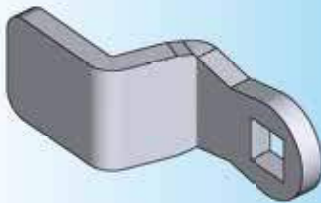
1000-U892



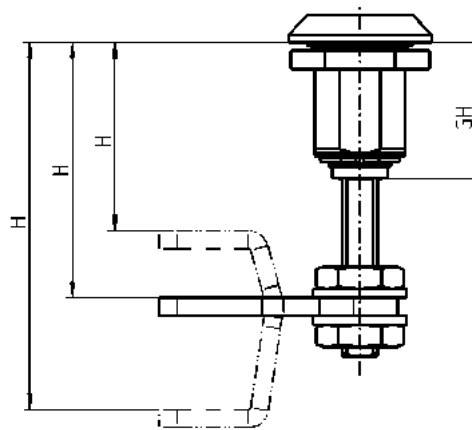
t = 4



straight cam



cranked cam



Note:
Insert of cranked cam optionally
positive or negative

Further parts see page

- Compression latch with insert 1B-222
- Compression latch with handle 1B-232
- Recess T-Handle with compression function 12A-135

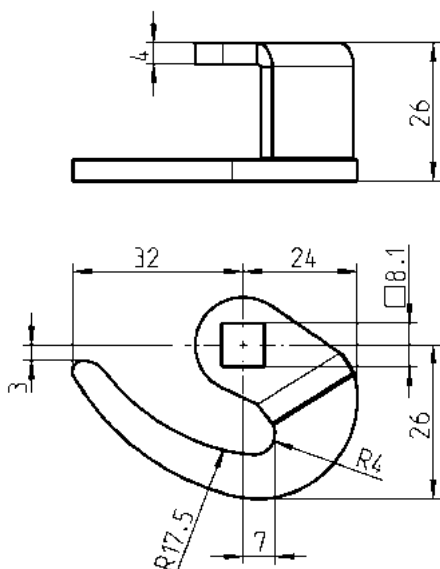
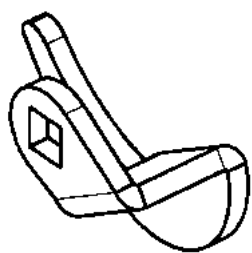
Cam m.s. zinc plated

for GH = 31	H	GH = 31
straight	38 - 58	1000-476
offset +/- 14 mm	24 - 44 ; 52 - 72	1000-478
offset +/- 26 mm	12 - 32 ; 64 - 84	1000-477
for GH = 45	H	GH = 45
straight	52 - 72	1000-476
offset +/- 14 mm	38 - 58 ; 66 - 86	1000-478
offset +/- 26 mm	26 - 46 ; 78 - 98	1000-477
for GH = 64	H	GH = 64
straight	71 - 91	1000-476
offset +/- 14 mm	57 - 77 ; 85 - 105	1000-478
offset +/- 26 mm	45 - 65 ; 97 - 117	1000-477

Cam

PROGRAM 1000

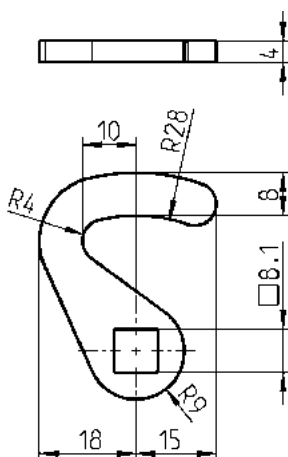
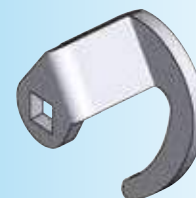
Beschlagteile



Hooked cam for desk lid, LH version

m.s. zinc plated

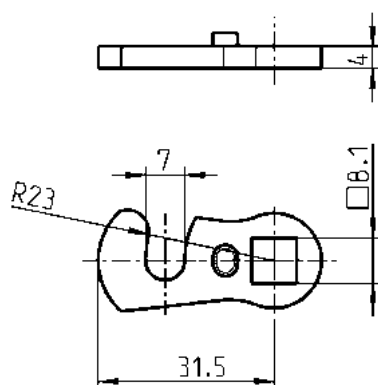
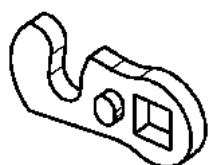
1000-91



Hooked cam, RH and LH version

m.s. zinc plated

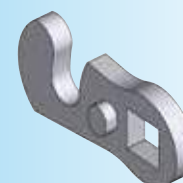
1000-93



Hooked cam, LH version

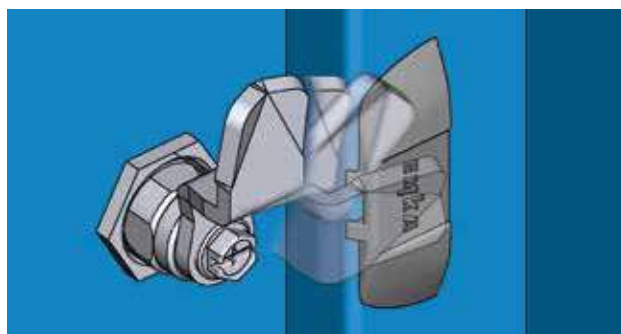
m.s. zinc plated

1000-61

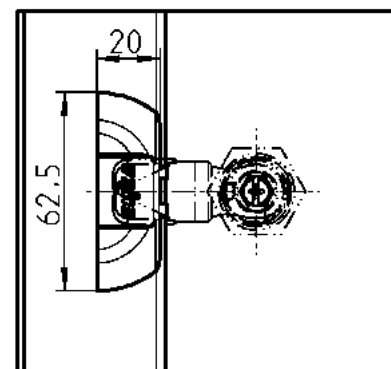
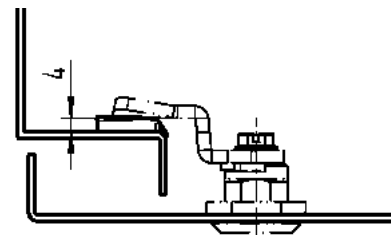
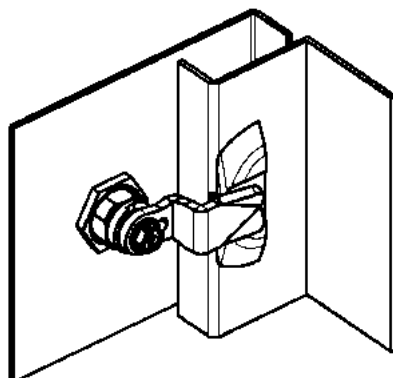


Further parts see page

- Quarter turns
 - 1B-120
 - 1B-140
 - 1B-320
 - up to 1B-335
 - 1B-360
 - up to 1B-760
 - 1B-835
 - up to 1B-860
- Swinghandle
 - 3N-120
- Heavy duty latch
 - 10A-620
 - 10A-640



Installation example: door and frame shown from the inside



Attention:

When using the Leading ramp the H-dimension of the tongue increases by 4 mm, and on page 3YA-820, the A-dimension of the tongue increases by 4 mm.

Further parts see page

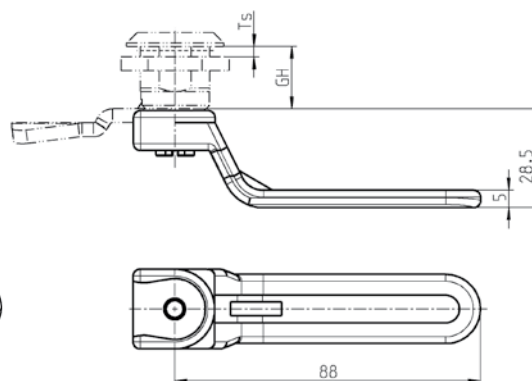
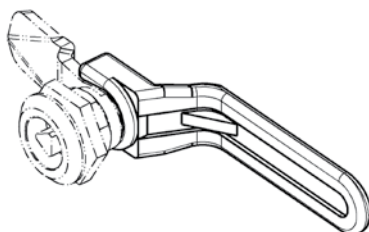
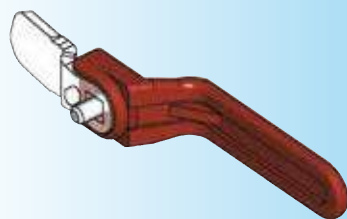
- Cam 1C-120
- 1C-130
- 1C-140
- 3YA-820
- 3YA-840
- 3YB-420
- 3YB-440
- 3YC-120
- 3YC-140

Product benefits

- the ramp increases the compression distance of the lock by 4 mm
- good positioning of the cam by small recess in the ramp
- prevents the scratching of the frame

Frame-sided leading ramp for cams polyamide black, self-adhesive

1000-U858



Further parts see page

- Cam 1C-120
- 1C-130
- Quarter turns 1B-120
- 1B-140
- 1B-360
- (non locking) 1B-520
- to (without lock) 1B-580
- 1B-720
- 1B-835
- 1B-860

Internal handle polyamide red, screw m.s. zinc plated, (cannot be used for lockable quarter turns)

GH	Ts 1,5-	M6x	
18	8	16	1000-U681
30	20	25	1000-U682
36	26	30	1000-U683
40	30	40	1000-U684
50	40	50	1000-U685
60	50	55	1000-U686

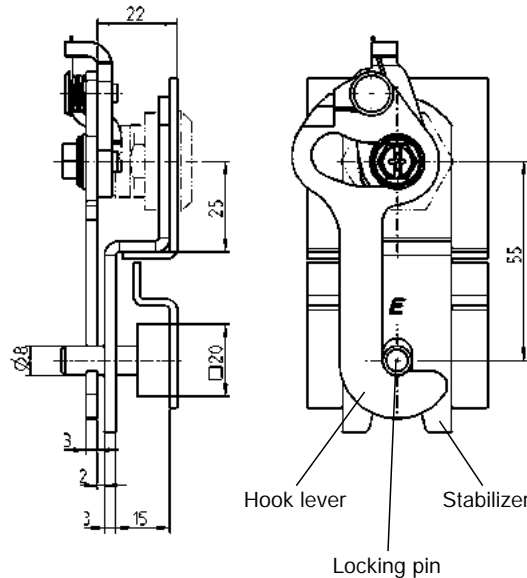
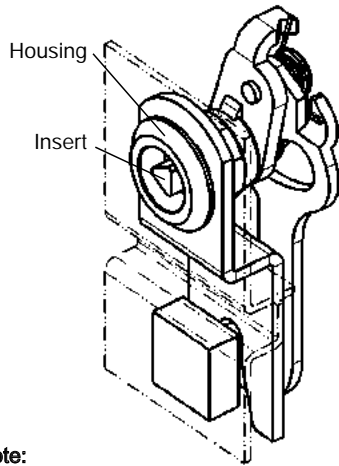
Hook lever lock, slam cam

PROGRAM 1000

Hook lever lock
with 90° locking stroke, turn and pull movement to the cam

Note: drawings and dimensions relate to quarter turns
with GH = 18 !

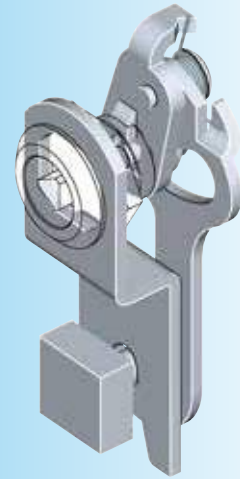
Hook stroke 5 mm



Note:
When using quarter turns with
GH-dimension >18 the length of
the screw has to be checked



Info
1 Quarter turns



Further parts see page
– Quarter turns

- 1B-120
- 1B-140
- 1B-335
- 1B-520
- up to 1B-720
- 1B-835
- up to 1B-860

Hook lever lock m.s. zinc plated:

Hook lever	1000-U12
Locking pin	1000-49
Stabilizer	1000-48



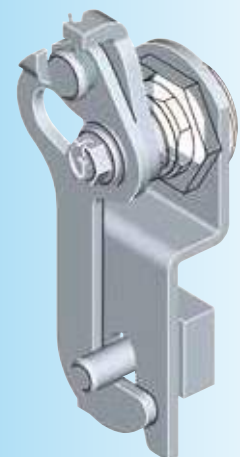
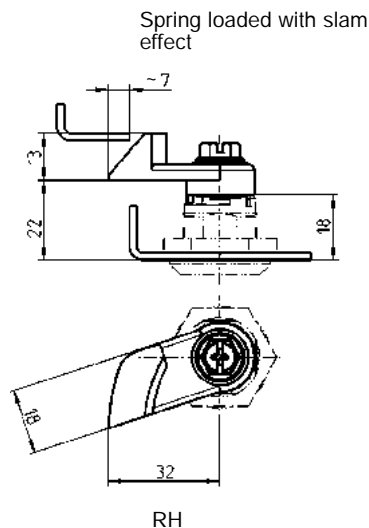
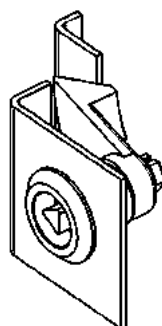
Slam cam

Note:
Slam cam is designed for quarter turn with GH = 18!
Other dimensions GH on request.

The wave washer (delivered with
the insert) has to be replaced by the
enclosed spacer.

With the following slam cams IP 54 up
to IP 69K is not possible!

- Item no.:
- 1000-U235-N
- 1000-U235-NPH
- 1000-U236-N
- 1000-U236-NPH

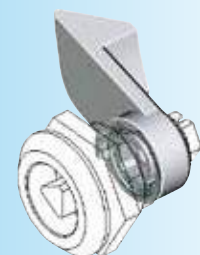


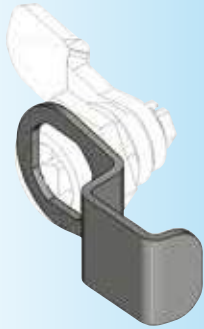
Slam cam zinc die chrome plated, spacer, screw m.s. zinc plated

for quarter turn see catalogue page	RH	LH
1B-120, 1B-140, 1B-360, 1B-830, 1B-835, 1B-860	1000-U235-N	1000-U236-N
1B-420 up to 1B-680	1000-U315-N	1000-U316-N

Slam cam AISI 316, spacer, screw stainless steel

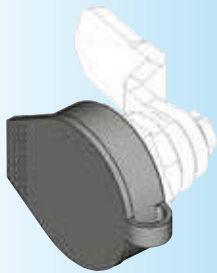
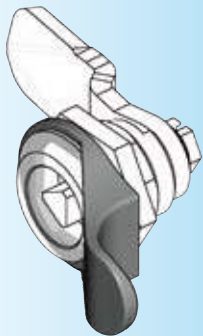
1B-120, 1B-140, 1B-360, 1B-830, 1B-835, 1B-860	1000-U235-NPH	1000-U236-NPH
--	---------------	---------------





Attention:

The H-dimension will be reduced by 2 mm with the finger pull installed.

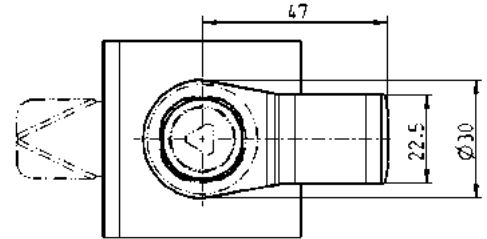
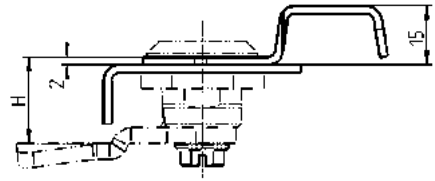
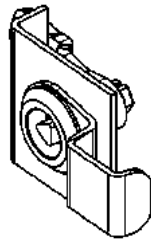


Attention:

The H-dimension will be reduced by 2 mm with this dust cap installed.

Further parts see page

- Quarter turns
- up to 1B-120
- up to 1B-222
- up to 1B-235
- up to 1B-335
- 1B-360
- 1B-420
- 1B-840
- 1B-860



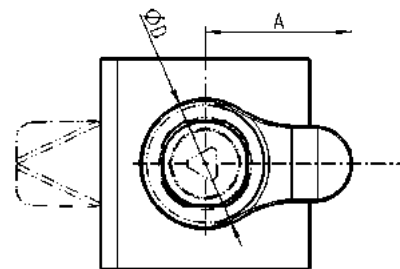
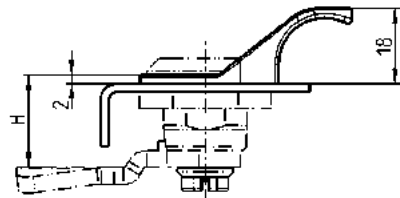
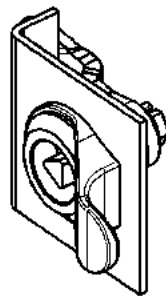
Finger pull m.s. black powder coated

1000-359

IP 65 with:

Flat seal

1000-23



Finger pull polyamide GF black

for housing with head diameter Ø 28

; D = 31, A = 35

1000-358

for housing with head diameter Ø 30 and 32

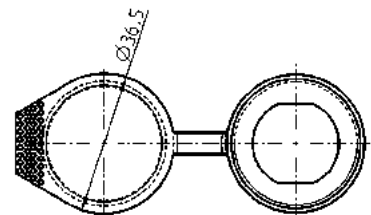
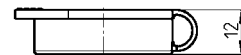
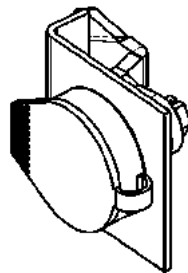
; D = 35, A = 36

1000-358-01

IP 65 with:

Flat seal

1000-23



Dust cap polyethylene black

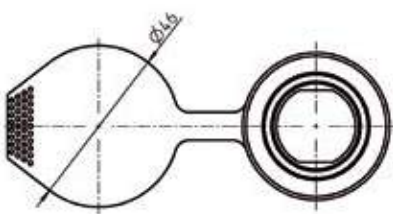
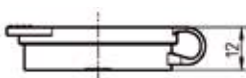
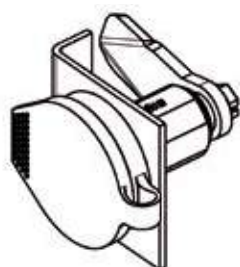
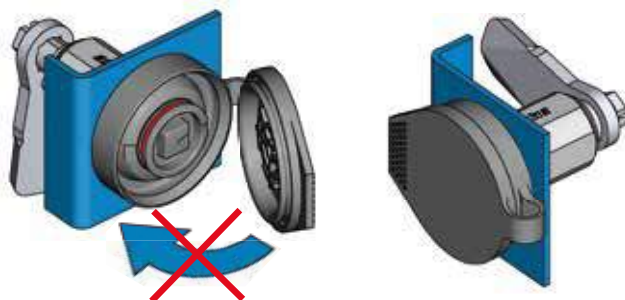
1000-97-01

Dust cap for high-speed trains, dust cap for T-Handle

PROGRAM 1000

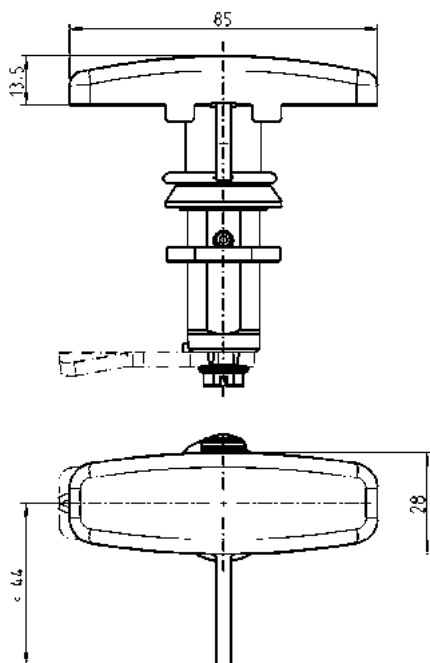
When combined use of dust cap and compression quarter turn with optical open indication (program 1000 / catalogue page 1B-237) an additional safety aspect is achieved.

In addition to the clearly visible red ring the dust cap cannot be closed and is thus open.



Dust cap TPE, UV resistant , black

1000-97-02



Also suitable for:

- Program 1000
(see page 1B-560)
- Program 1102
(see page 2A-140)
- Program 1005
(see page 2B-160)
- Program 1125
(see page 3B-180)
- Program 1225
(see page 3G-180)
- Program 2100
(see page 3H-220)

T-Handle-cap polypropylene black

1000-460

EMKA

Info
1 Quarter turns

Beschlagteile



Note

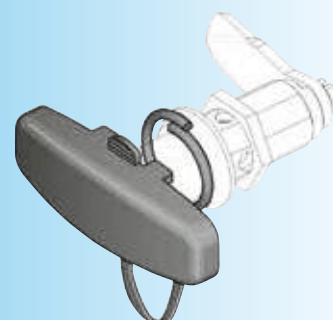
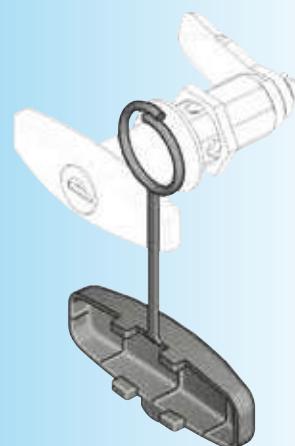
The dust cap was successfully tested by the Technical University of Dresden with respect to high-speed resistant class up to 450 km/h.

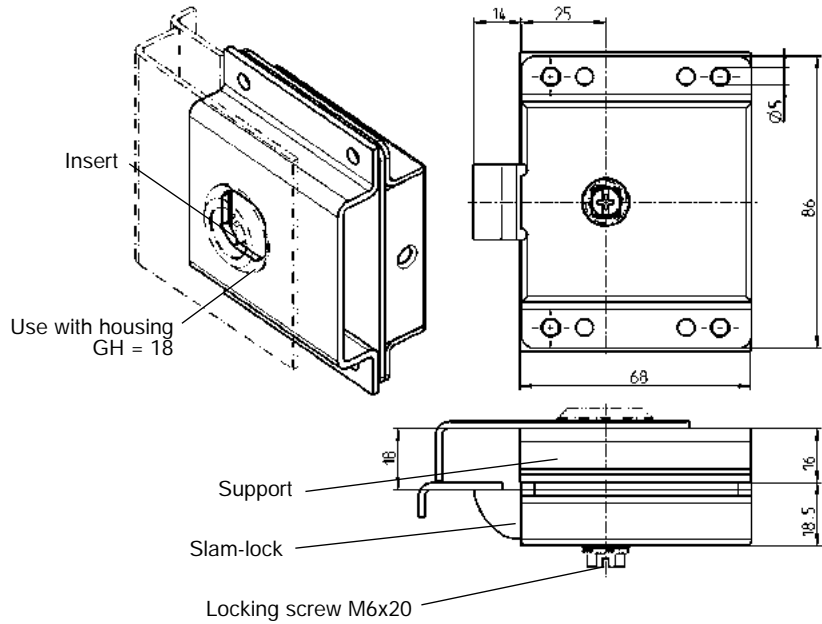
Attention:

The H-dimension will be reduced by 2 mm with this dust cap installed.

Further parts see page

- Quarter turns
- up to 1B-120
- up to 1B-222
- up to 1B-235
- up to 1B-335
- 1B-360
- 1B-420
- 1B-840
- 1B-860





Further parts see page

– Quarter turns

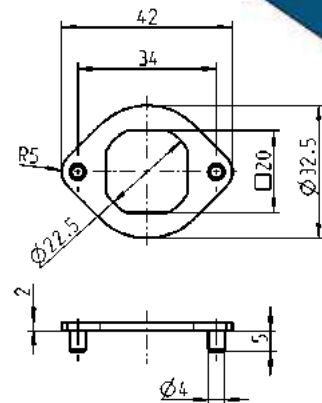
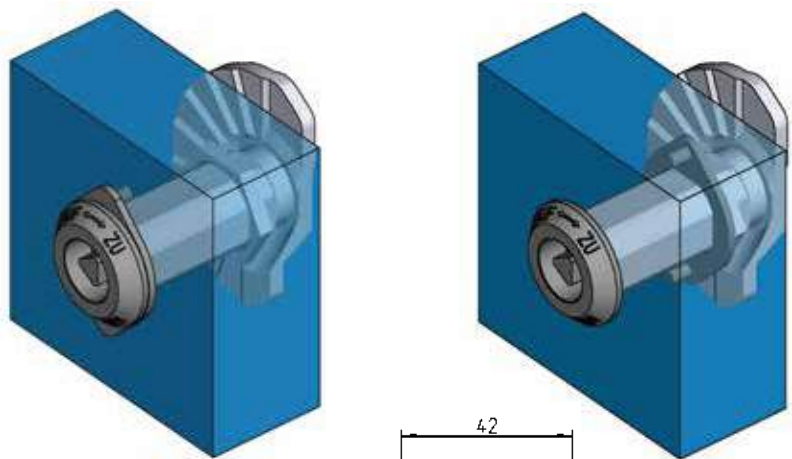
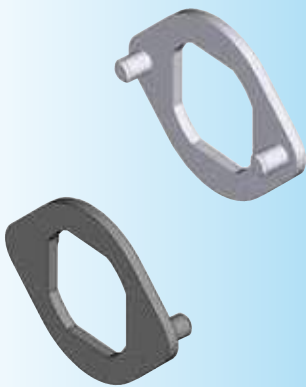
- 1B-120
- 1B-140
- 1B-330
- up to 1B-335
- 1B-520
- up to 1B-680
- 1B-835
- up to 1B-860

**Slam latch m.s. zinc pl., zinc die raw and spring steel
Support and vibration proof screw m.s. zinc plated**

Slam-lock	1034-U1
Support	1034-03
Locking screw M6x20	1000-277-04JB

Front mounted door device for preventing rotation, mounted under the housing head.

Rear mounted door device for preventing rotation, mounted under the nut.



Note:

The H-dimension will be reduced by 2 mm when used with this device fitted on the outside for preventing rotation.

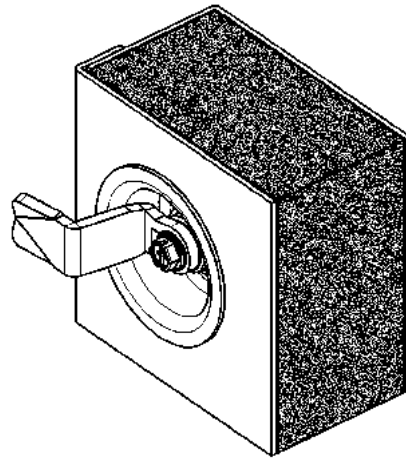
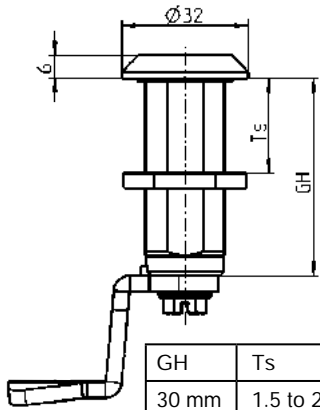
Further parts see page

– Quarter turns

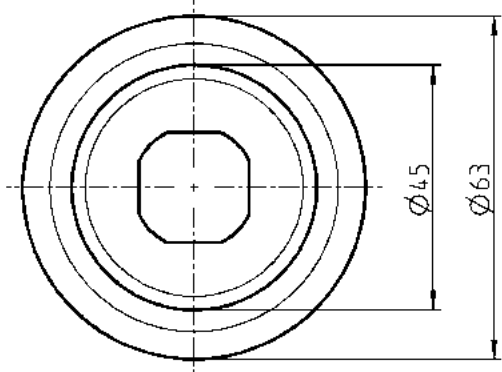
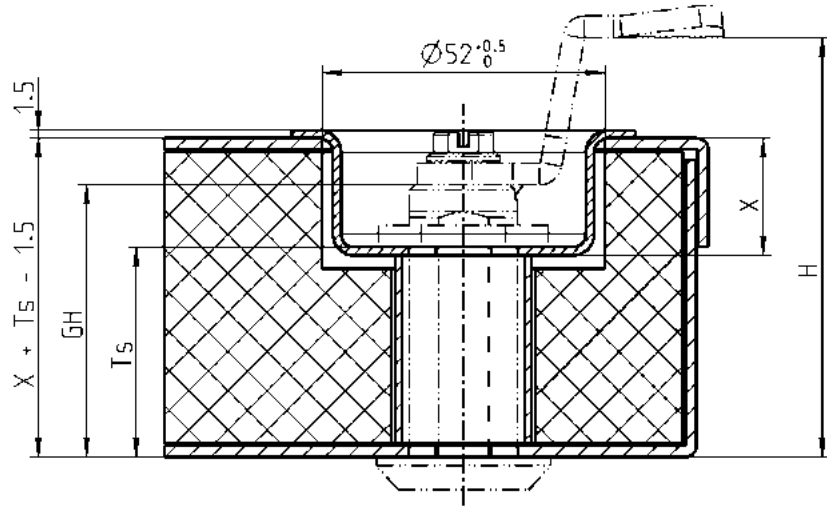
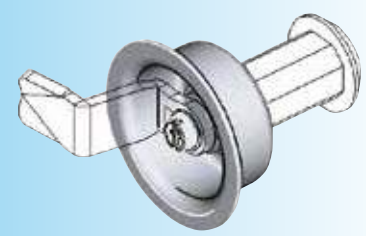
- 1B-120
- 1B-140
- 1B-220
- up to 1B-335
- 1B-360
- up to 1B-720
- 1B-835
- up to 1B-860

Device for preventing rotation zinc die, surface as requested

black powder coated	1000-456-AA
zinc plated	1000-456-JB



GH	Ts
30 mm	1.5 to 20 mm
36 mm	1.5 to 26 mm
40 mm	1.5 to 30 mm
50 mm	1.5 to 40 mm
60 mm	1.5 to 50 mm



Dish to decrease the door thickness in conjunction with quarter turns for insulated doors or to align cut outs for quarter turns.

Dish m.s. zinc plated	
Dimension X	
10,5 mm	1000-264
17,5 mm	1000-265
21,5 mm	1000-266

Further parts see page
– Quarter turns

- 1B-120
- 1B-140
- 1B-220
- up to 1B-235
- 1B-320
- up to 1B-335
- 1B-360
- up to 1B-720
- 1B-835
- up to 1B-860

Rod

PROGRAM UNIVERSAL

Minimum order quantity: 200 pieces
Lower quantities on request

Round rod
in fixed lengths

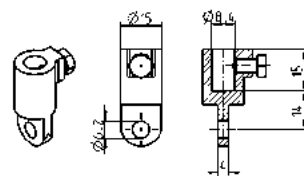
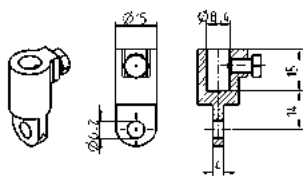
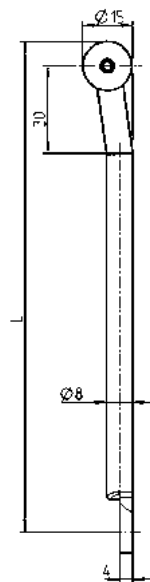
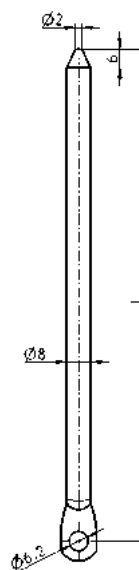
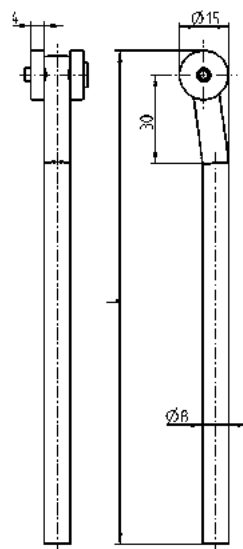
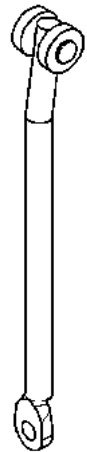
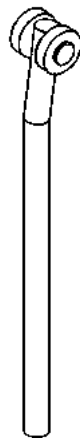
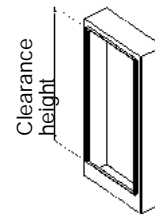
Program 1000

How to find dim. L
when pivot point is central

with adapter	Clearance height - 40 2
with eye	Clearance height - 12 2

L ≤ 1200

Order example: Part number for rod with rollers and a length L of 1034 mm = 1049-U18-L 1034



with eye m.s. zinc pl.
with rollers
polyamide black
(not suitable for program 1121
and 2121)

1000-U144-L mm
(1000-U144-01 to -17
see price list)

Chamfered end
m.s. zinc pl.

1049-19-L mm

(1049-19-01 to -17
see price list)

m.s. zinc pl., with rollers
polyamide black

1049-U18-L mm

(1049-U18-01 to -17
see price list)

with eye and pointed end,
m.s. zinc pl.

1000-211-L mm

(1000-211-01 bis -17
see price list)

with eye AISI 304
and rollers

polyamide black

(not suitable for program 1121
and 2121)

adapter

zinc die,
m.s. z.pl.

AISI 303

1000-U49

1000-U141

adapter

zinc die,
m.s. z.pl.

AISI 303

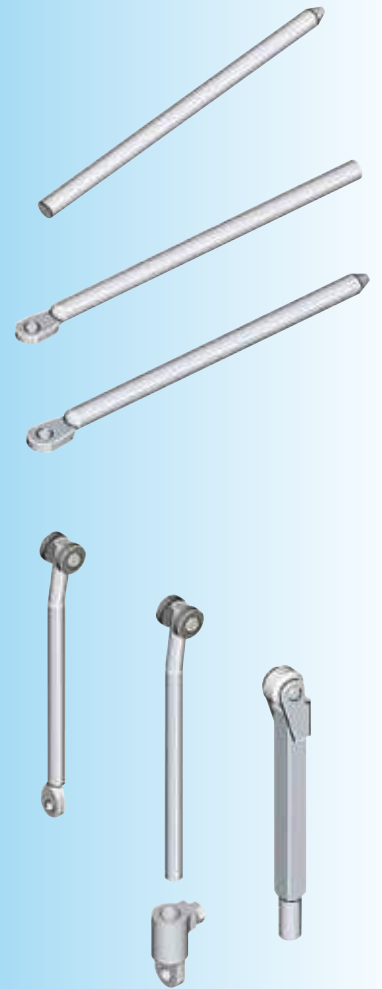
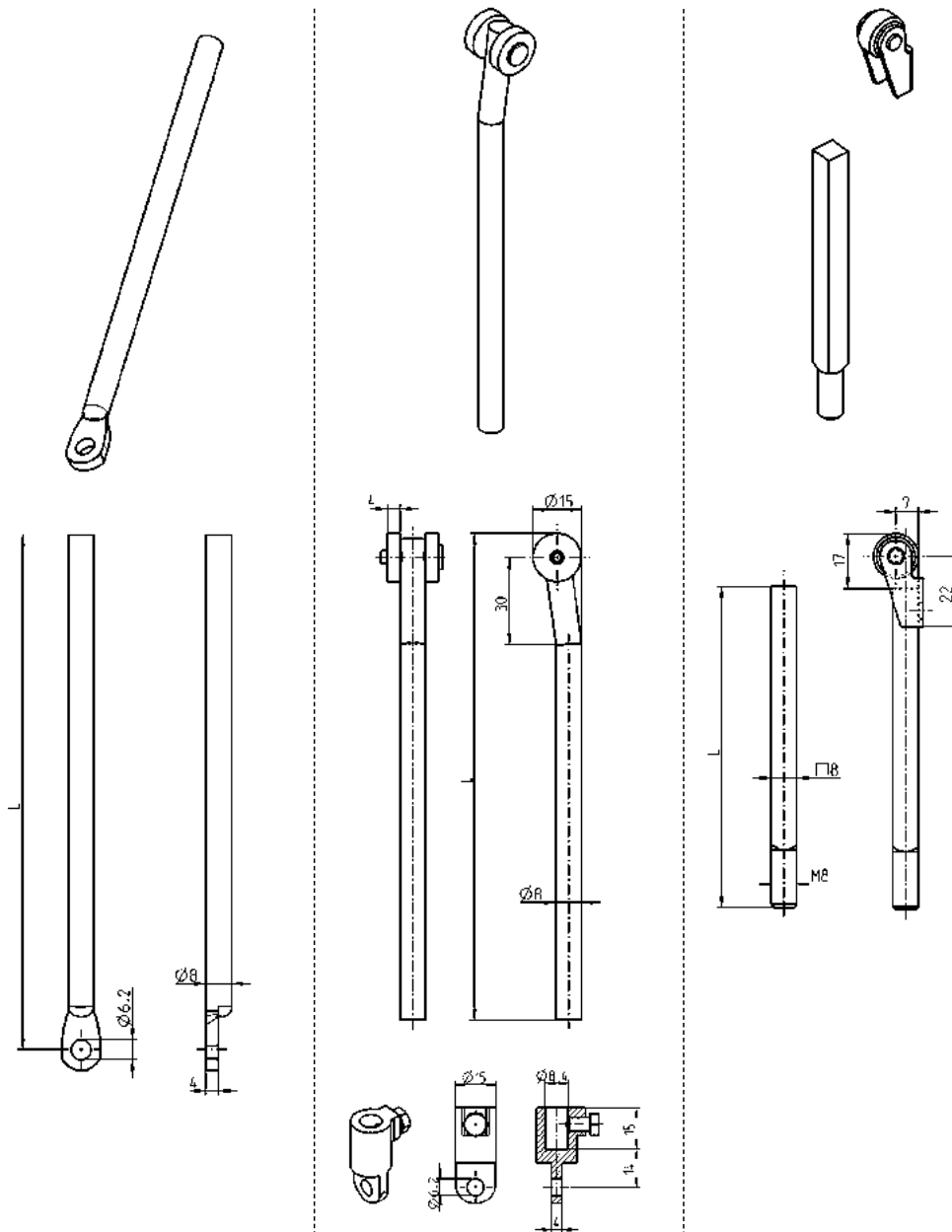
1000-U49

1000-U141

1000-U538-L mm

(1000-U538-01 bis -09
see price list)

Round- and square rods in available lengths



Round rod with eye, m.s. zinc plated

Round rod m.s. zinc pl. or AISI 304 with rollers polyamide black

Square rod m.s. zinc pl. suitable for catalogue page 2B-120

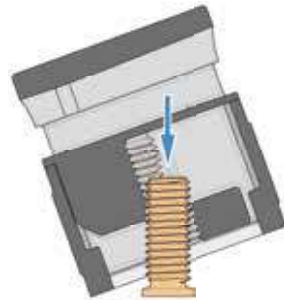
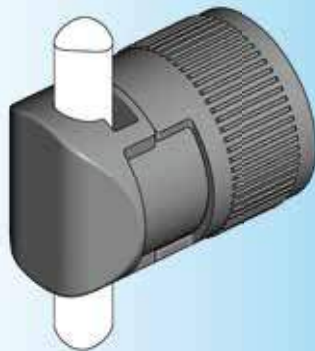
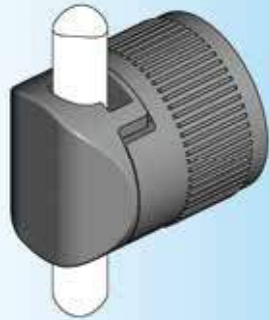
L in mm	
400	1000-33
500	1000-34
600	1000-35
700	1000-36
800	1000-37
900	1000-38
1000	1000-39
1100	1000-114
1200	1000-115

L in mm	m.s. z.pl.	AISI 304
600	1049-U3	1049-U12
700	1049-U4	1049-U13
800	1049-U5	1049-U14
900	1049-U6	1049-U15
1000	1049-U7	1049-U16
1100	1049-U8	1049-U17
1200	1049-U9	-
adapter	zinc die, m.s. z.pl.	AISI 303
	1000-U49	1000-U141

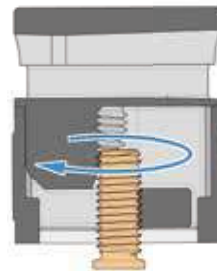
L in mm	
600	1001-11
700	1001-12
800	1001-13
900	1001-14
1000	1001-15
1100	1001-16
1200	1001-17
	Roller unit m.s. zinc pl., roller polyamide white
-	1019-U1

Further parts see page

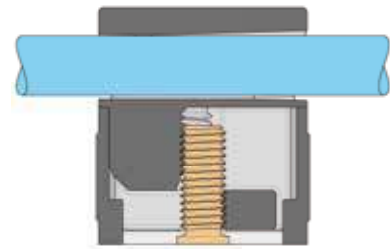
- Cam 1C-120
1C-160
- Rod control 2A-120
2B-120
up to 2B-140
- Rod guide 1C-630
1C-640



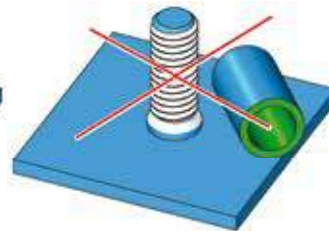
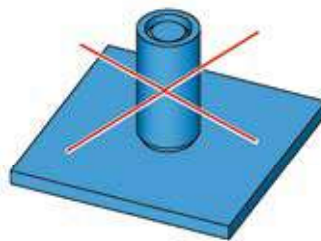
1. Place the rod guide on weld stud.
(Hereby the time-consuming screwing is reduced considerably.)



2. Straighten up the rod guide, noticeably and audibly locks in place and secured with only a few rotations.



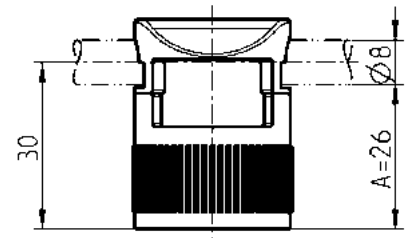
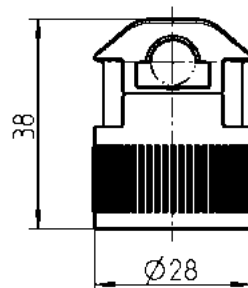
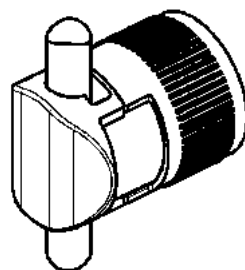
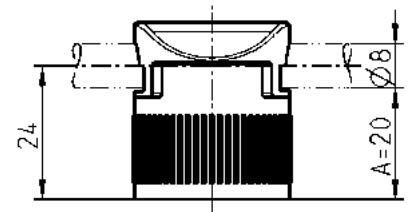
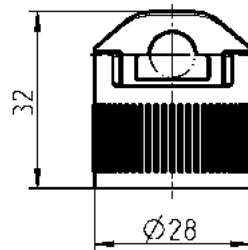
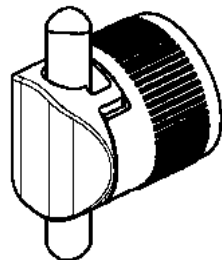
3. Rod guide completely mounted.



+ ADVANTAGE

This rod guide is suitable for raw and powder coated weld studs. The covering of the weld stud before powdering can be omitted, this results in process optimization and cost saving.

Note:
Rod guide suitable for dimensions of A=20 and A=26



Further parts see page
– Rod

1C-620
8A-360

Rod guide polyamide GF black

A for weld stud

20 M6x16

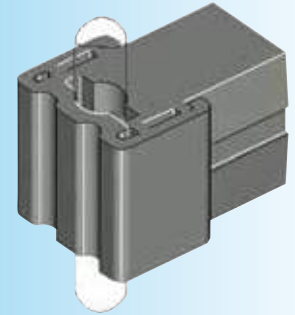
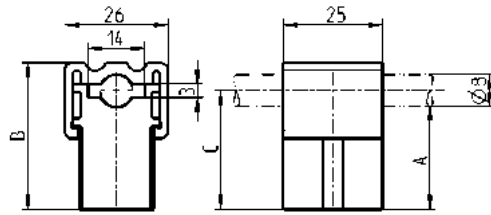
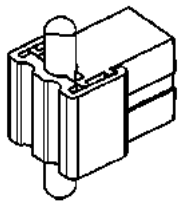
26 M6x20

1001-U47

Rod guide for round rods 8 mm

PROGRAM UNIVERSAL

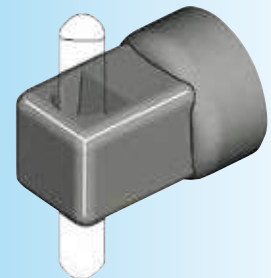
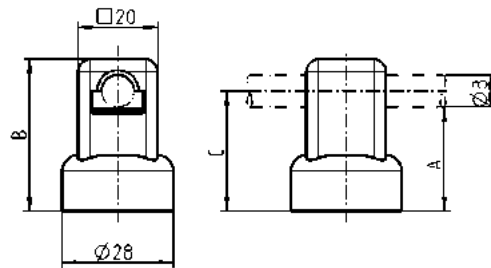
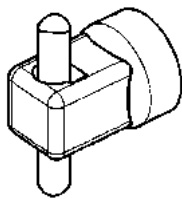
Beschlagteile



For round and flat rods

Rod guide polyamide black

A	B	C	for weld stud	
20	31	24	M6x12 - 20	1001-U40
26	37	30	M6x12 - 20	1001-U41

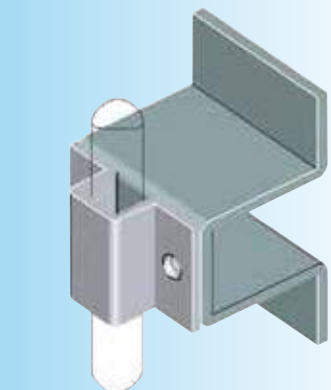
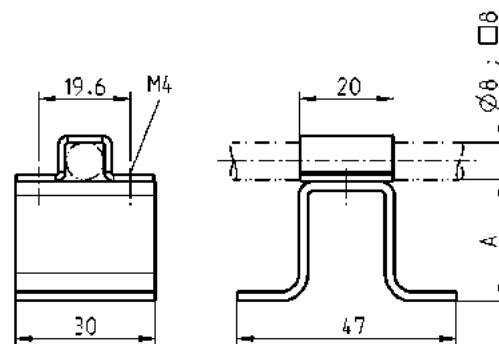
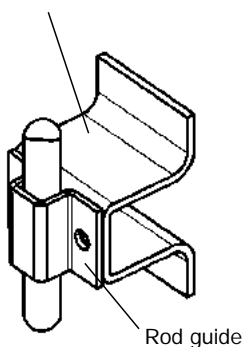


For round rods

Rod guide polyamide black with sunken nut m.s. zinc pl.

A	B	C	for weld stud	
20	32	24	M6x16	1001-U11
26	38	30	M6x20	1001-U12

Rod support



For round- and square rods

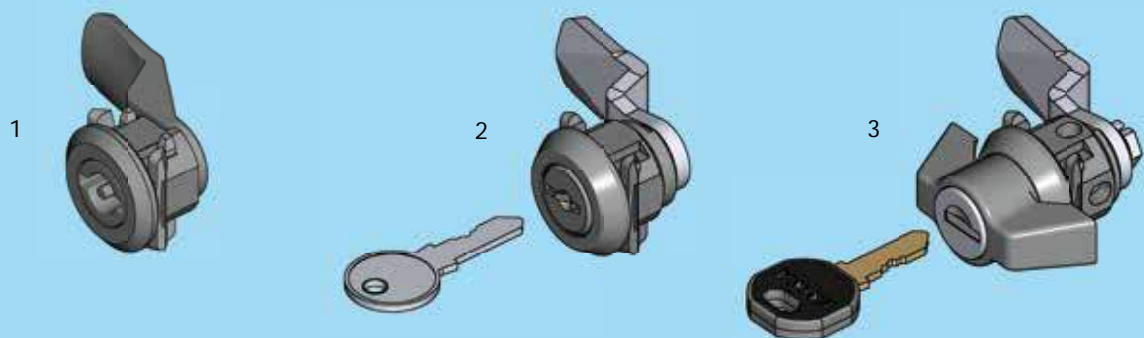
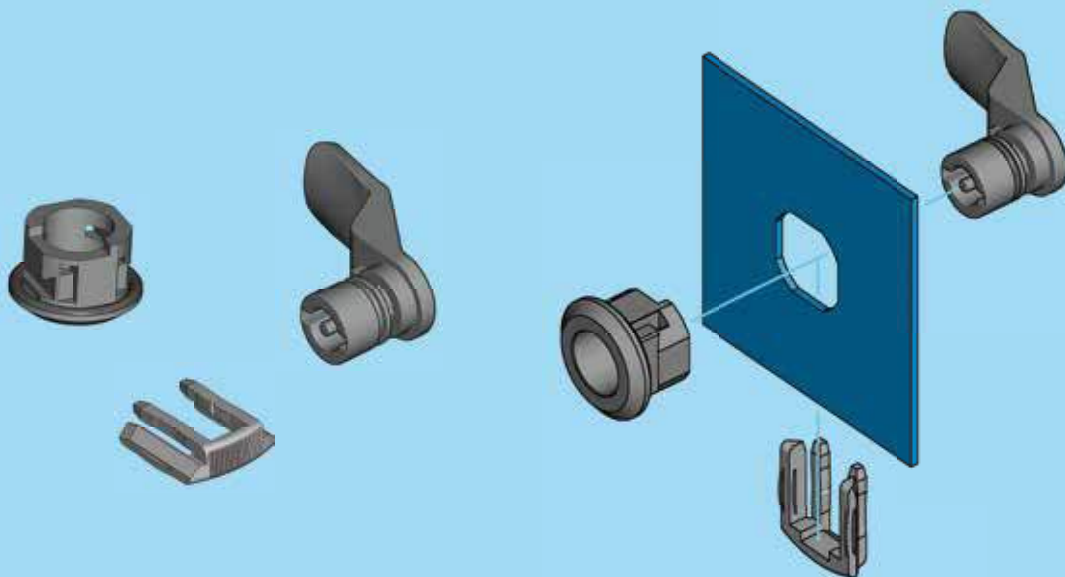
Rod guide m.s. zinc pl.

				1001-22
Rod support m.s. raw				
A = 20				1001-20
A = 26				1001-21

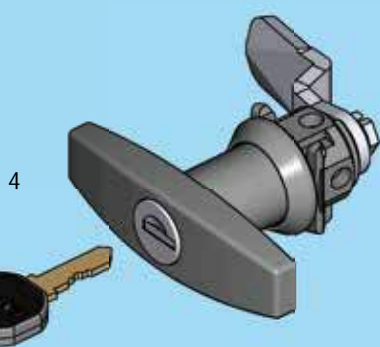
Further parts see page
– Rod

1C-620
8A-360

Quarter turn Program 1500



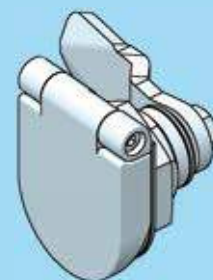
3



5



6



- 1 Quarter turn with insert cam clip fix
- 2 Quarter turn with cylinder
- 3 Wing knob
- 4 T-Handle
- 5 L-Handle
- 6 Compression latch with optical opening indicator

- 1D-140
- 1D-240
- 1D-220
- 1D-220
- 1D-220
- 1D-420



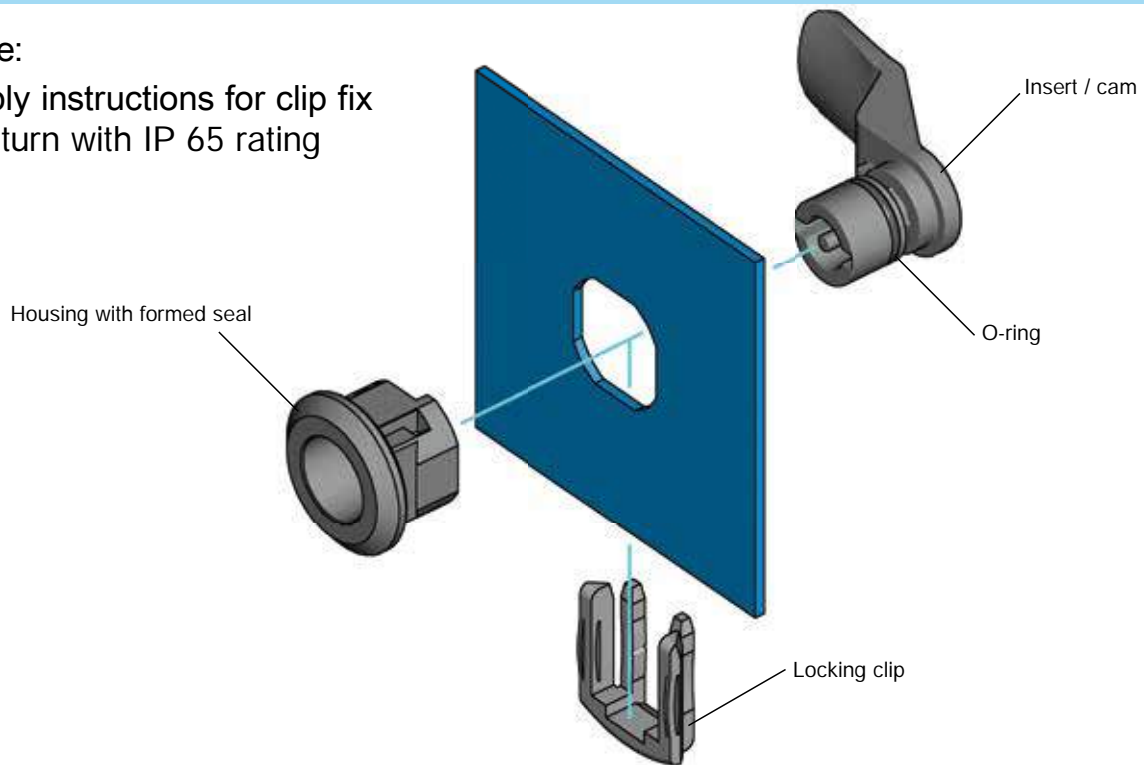
1D-100

Quarter turn; three piece, clip fix

PROGRAM 1500

Example:

Assembly instructions for clip fix quarter turn with IP 65 rating



Housing polyamide GF color on choice

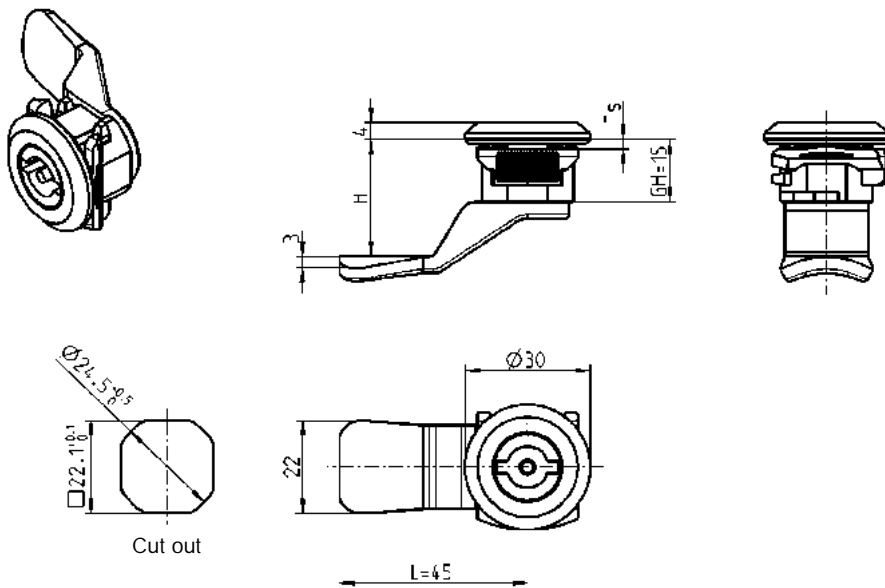
	black	silver
without seal	1500-01	1500-01-HW
with formed seal (for IP 65)	1500-01-G	1500-01-GHW

Locking clip polyamide GF colour depends door thickness

Ts = 1,0 - 1,5 including surface coating; pebble grey	1500-02-10
Ts = 1,5 - 2,0 including surface coating; black	1500-02-15
Ts = . . .	

Insert Cam polyamide GF colour of choice see ordering example; order with O-ring see ordering example (for IP 65)

	H ≙ 16	H ≙ 18	H ≙ 22	H ≙ 24
	without O-ring	without O-ring	without O-ring	without O-ring
Square 7mm ; black	1500-136-H16	1500-136-H18	1500-136-H22	1500-136-H24
Square 8mm ; black	1500-140-H16	1500-140-H18	1500-140-H22	1500-140-H24
Triangular 7mm ; black	on request	on request	on request	on request
Triangular 8mm ; black	1500-152-H16	1500-152-H18	1500-152-H22	1500-152-H24
Triangular 9mm ; black	on request	on request	on request	on request
Double bit 3mm ; black	1500-156-H16	1500-156-H18	1500-156-H22	1500-156-H24
Double bit 5mm ; black	1500-160-H16	1500-160-H18	1500-160-H22	1500-160-H24
Hexagon female BS 10 ; black	on request	on request	on request	on request
Square female 7mm ; black	on request	on request	on request	on request
Square female 8mm ; black	on request	on request	on request	on request
Daimler Benz ; black	on request	on request	on request	on request
Slot 1,2 x 3mm ; black	on request	on request	on request	on request
Slot 2 x 4mm ; black	1500-177-H16	1500-177-H18	1500-177-H22	1500-177-H24
Slot 2 x 4mm coinproof ; black	on request	on request	on request	on request



Purchase order sample insert cam in silver:

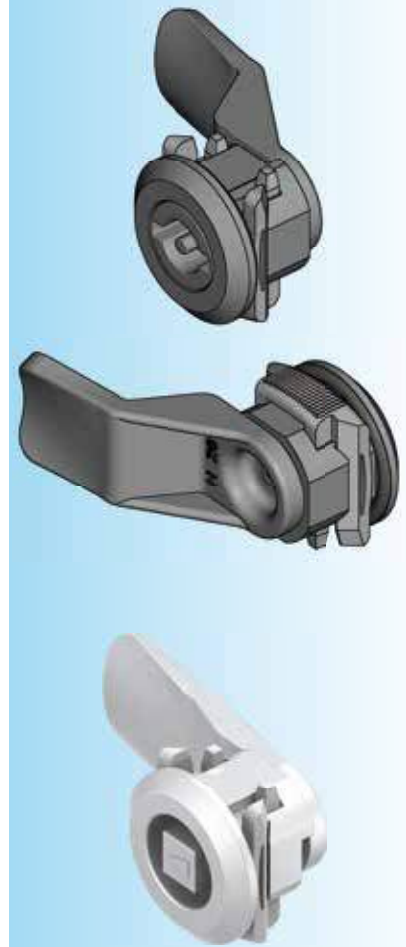
You require a silver insert cam in square 8 mm for the clearance H = 18 mm. Then add to the item no. in the table the letters 'HW' at the end.

e.g.:
1500-140-H18HW Insert cam polyamide GF; silver; H = 18 mm; square 8 mm

Purchase order sample insert cam with O-ring:

You require a black insert cam in double bit 3 mm for the clearance H = 28 mm with O-ring. Then add to the item no. in the table the letter 'B' after '1500-'.

e.g.:
1500-B156-H28 Insert cam Polyamide GF; black; H = 28 mm; double bit 3 mm with O-ring



Attention:
IP 65 is achieved by housing with foamed seal and insert cam with O-ring!

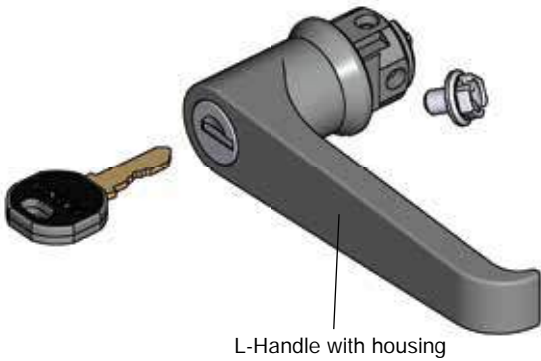
Note:
Further insert cams with other inserts or other H- and L- dimensions on request

Further parts see page
– Key 12B-120

H ≙ 28	H ≙ 30	
without O-ring	without O-ring	
1500-136-H28	1500-136-H30	
1500-140-H28	1500-140-H30	
on request	on request	
1500-152-H28	1500-152-H30	
on request	on request	
1500-156-H28	1500-156-H30	
1500-160-H28	1500-160-H30	
on request	on request	
on request	on request	
on request	on request	
on request	on request	
on request	on request	
1500-177-H28	1500-177-H30	
on request	on request	

Handle clip fix PROGRAM 1500

L-Handle clip fix



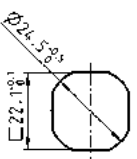
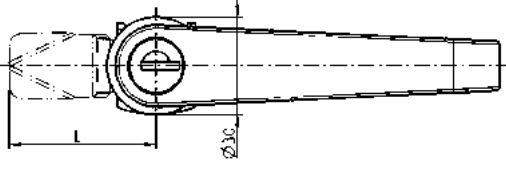
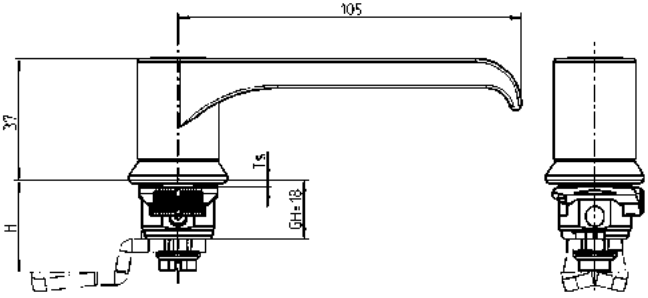
L-Handle with housing



Cam



Locking clip

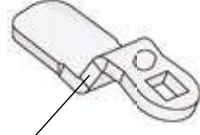


Cut out

T-handle quarter turn, clip fix



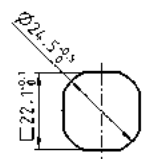
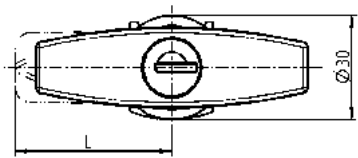
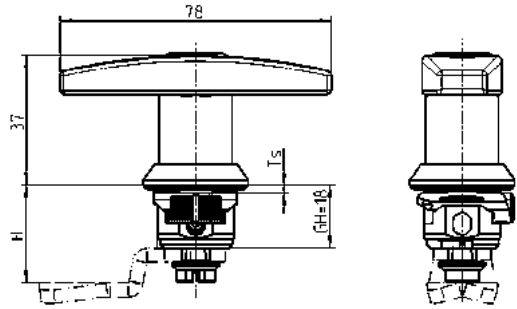
T-handle with housing



Cam

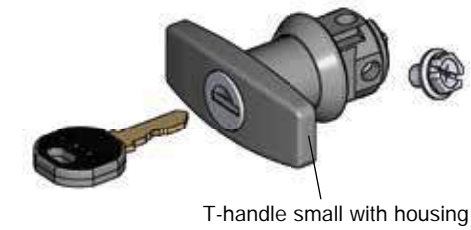


Locking clip



Cut out

T-handle quarter turn, small, clip fix



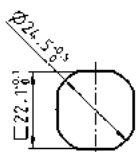
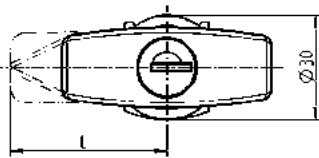
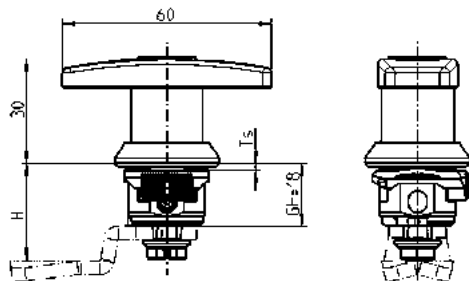
T-handle small with housing



Cam



Locking clip

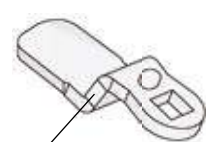


Cut out

Wing knob quarter turn clip fix



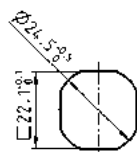
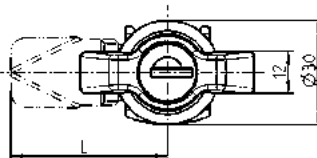
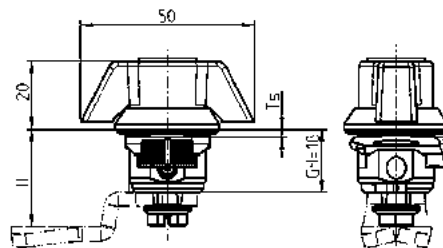
Wing knob handle with housing



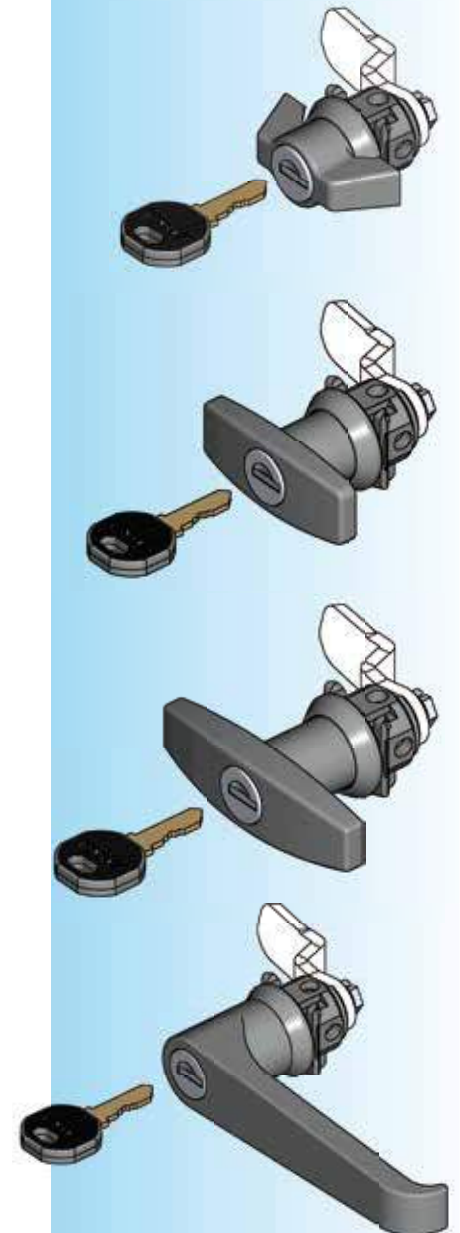
Cam



Locking clip



Cut out



Handle polyamide GF black / zinc die, housing polyamide GF black, round cylinder zinc die with stainless steel cap and dust cap, screw m.s. zinc plated, with seal. Each cylinder has one silver steel key with polyamid grip. Key removable in both positions.

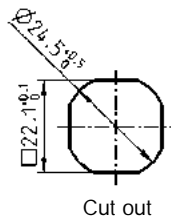
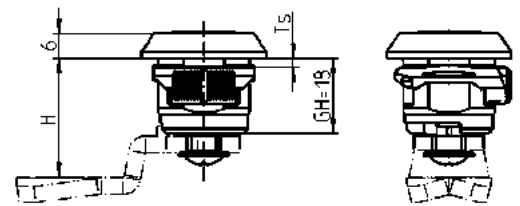
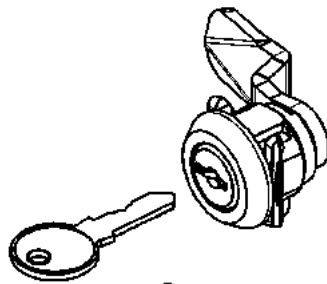
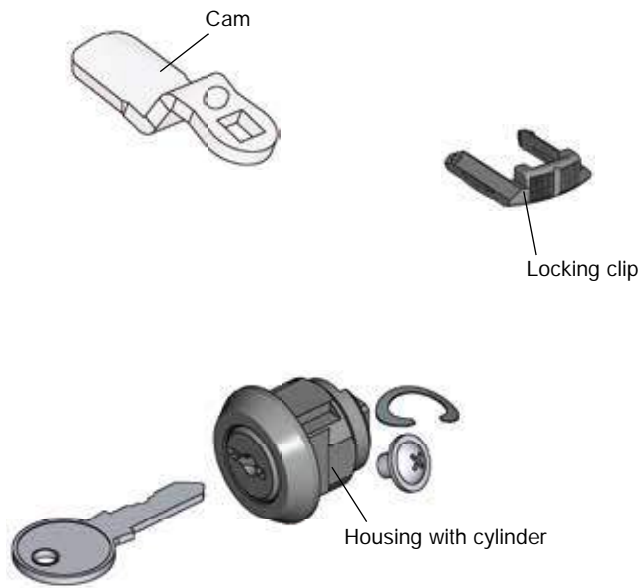
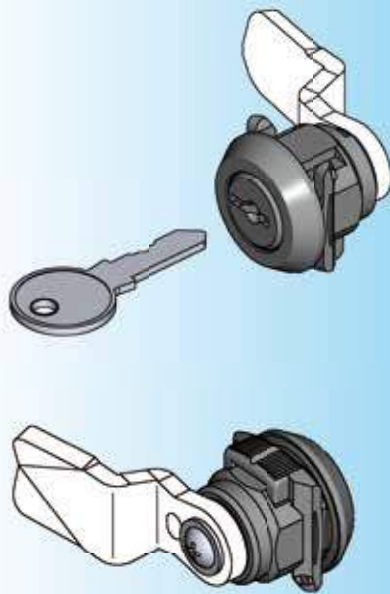
	non locking	keyed EK 333	keyed different
Wing knob	1500-U343	1500-U345	1500-U347
T handle small	1500-U775 (IP 40)	1500-U773	1500-U774
T-Handle	1500-U546	1500-U548	1500-U550
L-Handle	1500-U570	1500-U572	1500-U574

Locking fork polyamide GF colour according to article

Ts = 1.0 - 1.5 colour pebble grey	1500-05-10
Ts = 1.5 - 2.0 colour black	1500-05-15

Further parts see page

- Cam (GH=18)	1C-120
	1C-160
- Spare key	12B-140



Further parts see page

- cam (GH=18) 1C-120
- (without rod control) 1C-160
- spare key 12B-140

Housing and round cylinder polyamide GF black, screw m.s. zinc-plated.
Per round cylinder one key of m.s. nickel-plated.
Key removable in both positions.

keyed EK 333	1500-U18
keyed different	1500-U19

Locking clip polyamide GF, colour depending on item

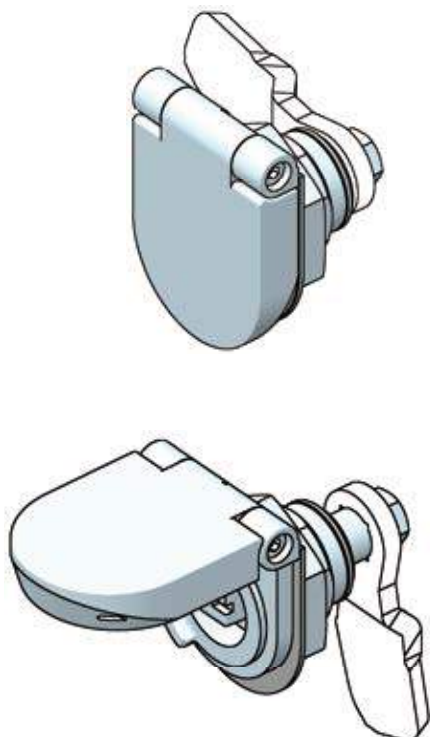
Ts = 1.0 - 1.5 colour pebble grey	1500-05-10
Ts = 1.5 - 2.0 colour black	1500-05-15

Compression latch with visual opening indicator

PROGRAM 1500

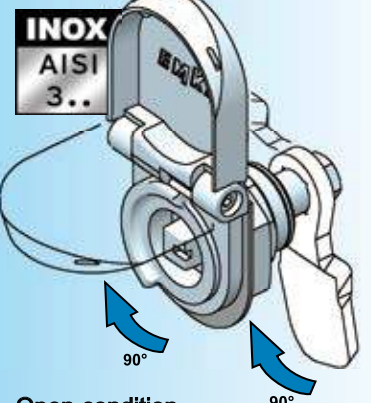
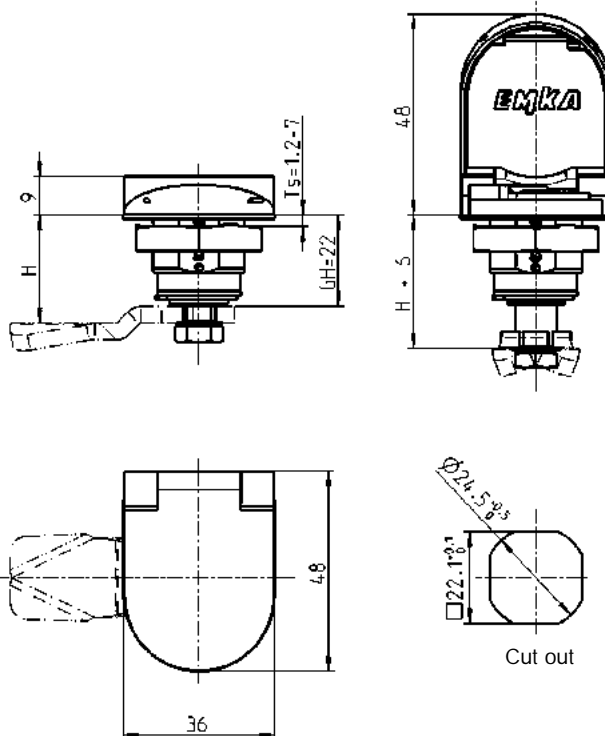
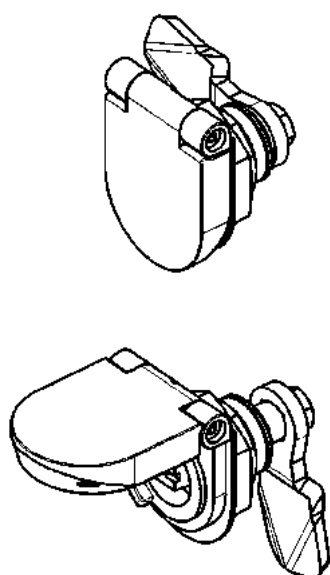
Vibration proof

The compression latch is vibration-proof as such. Depending on the installation circumstances and the application conditions specific tests and/or complementary measures for fixing are required.

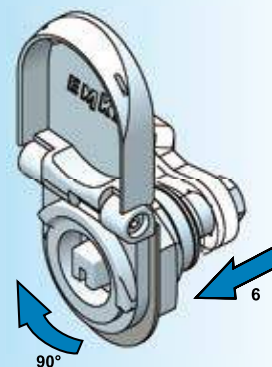


PRODUCT BENEFITS

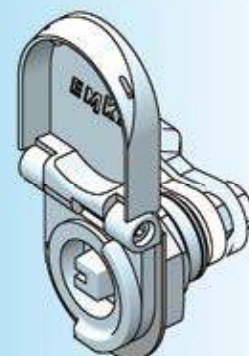
- Visual opening indicator clearly visible due to 90° open flap when uncompressed
- The flap closes automatically when compressed
- Integrated dust cap
- The flat seal cushions the flap and prevents damages to the door
- Standard cut out program 1500
- patented



Open condition
The first 90° of rotation of the insert also turns the cam 90°.



Closed position
The second 90° of rotation of the insert draws the cam toward the door 6 mm axially.



Compressed condition
Unlock:
Reversed movement

Further parts see page
– Cam without stop 1C-120
– Key 12B-120

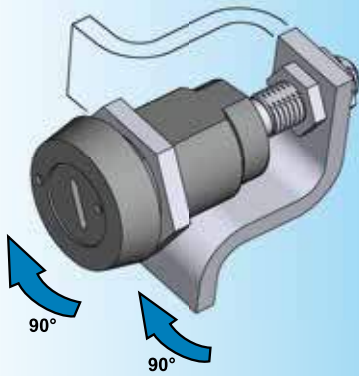
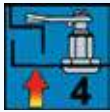
Compression latch with visual opening indicator AISI 316;
nut and earth nut AISI 316;
screw and lock washer stainless steel; with spring and seal

Square 8 with mark

1500-U776-LIPH

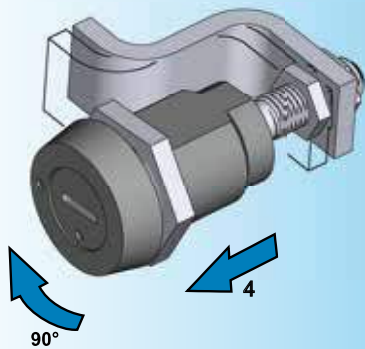
vibration proof

These latches are designed to be vibration resistant with a distinct "over-center" action. There may be some cases of extreme vibration where this detent is overcome. Therefore we recommend rigorous testing.



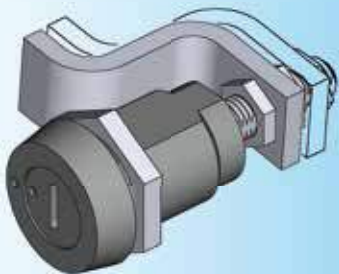
Open condition

The first 90° of rotation of the insert also turns the cam 90°.



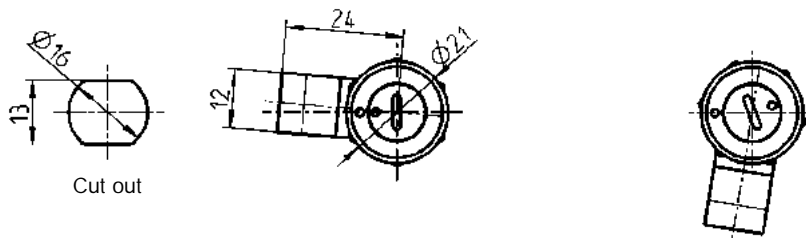
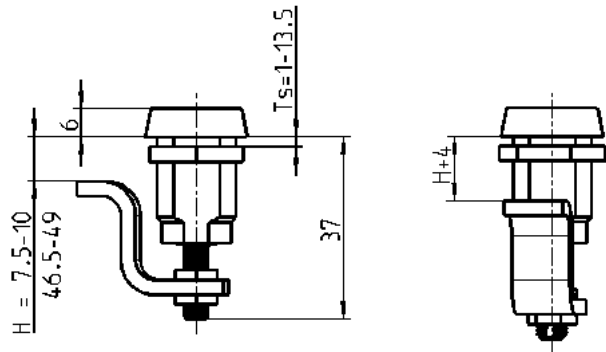
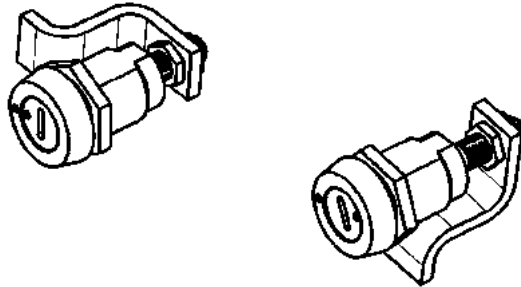
Closed position

If you continue with rotating the insert by another 90° the cam is moved by 4 mm in axial direction.



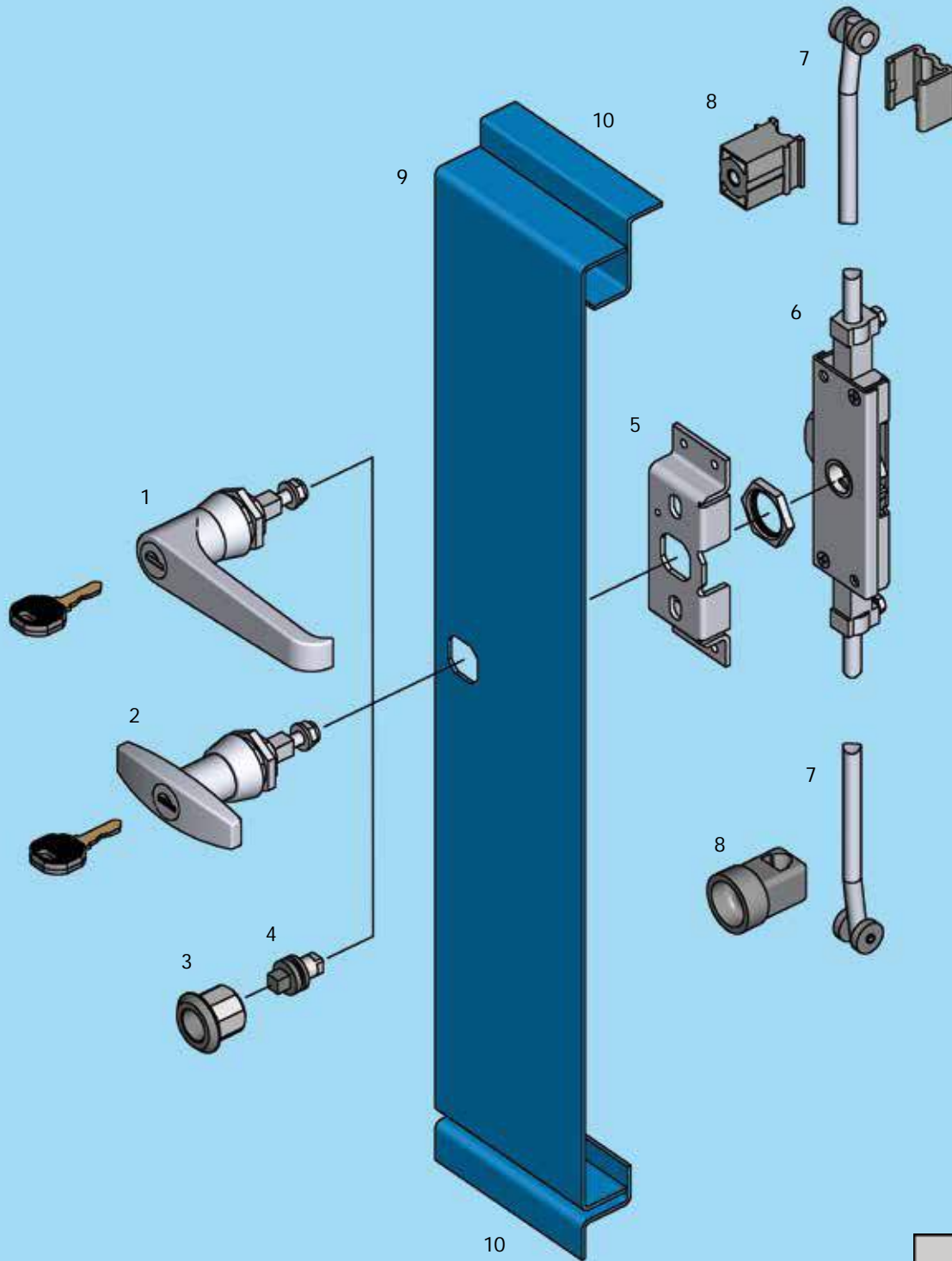
Compressed condition

Unlock:
Reversed rotation



Cut out

Latches for heavy duty Screw-on



- | | | |
|----|---------------|--------|
| 1 | L-Handle | 2A-140 |
| 2 | T-Handle | 2A-140 |
| 3 | Key guide | 2A-120 |
| 4 | Insert | 2A-120 |
| 5 | Support | 2A-120 |
| 6 | Rod control | 2A-120 |
| 7 | Rods | |
| 8 | Rod guide | |
| 9 | Door | |
| 10 | Cabinet/frame | |

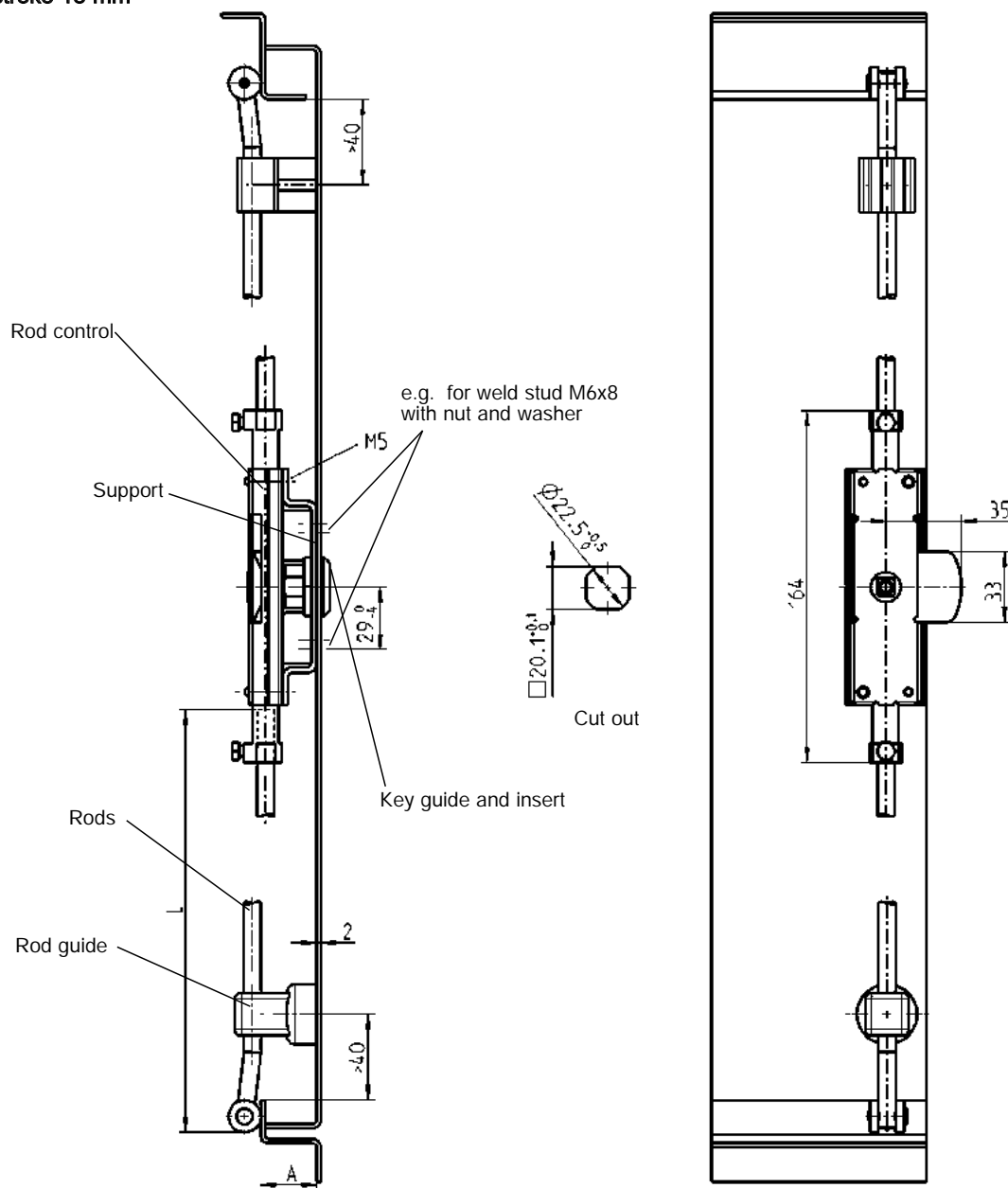


2A-100

3 point latches and inserts

PROGRAM SCREW ON

Stroke 13 mm
or stroke 18 mm



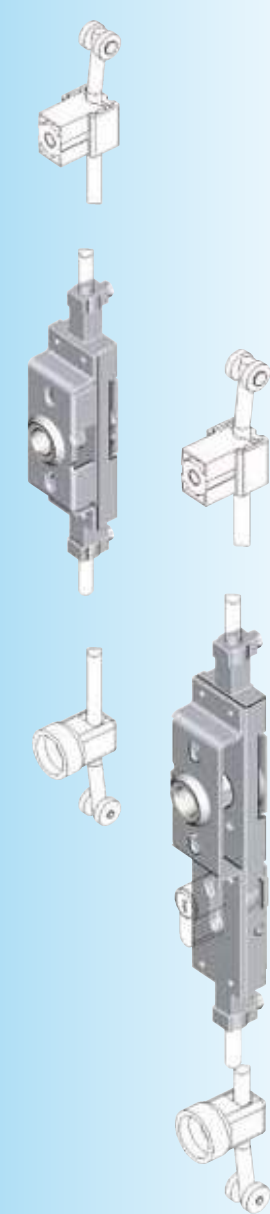
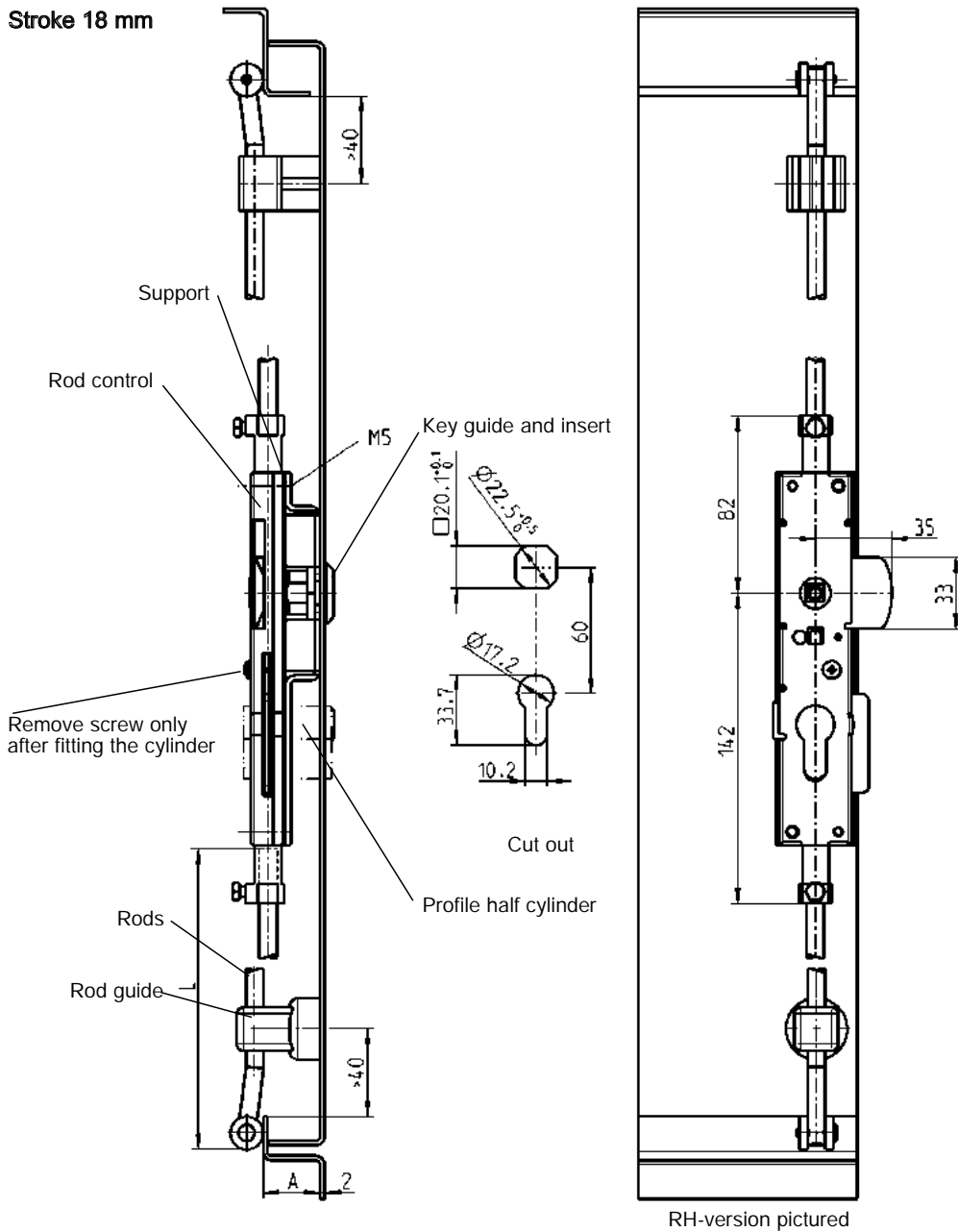
RH-version pictured

Dimensions of latches and
other versions see catalogue
pages 2B-120 to 2B-140

Latch m.s. zinc pl.			Latch m.s. zinc pl. for profile cylinder		
	Stroke 13	Stroke 18			Stroke 18
RH	1049-U1	1049-U19	RH	-	1068-U1
LH	1049-U2	1049-U20	LH	-	1068-U2
Support m.s. zinc plated			Support m.s. zinc plated		
	A20	A26		A20	A26
RH/LH	1001-47	1001-50	RH	1001-45	1001-48
			LH	1001-46	1001-49



Stroke 18 mm



Key guide zinc die chrome pl. or black powder coated with nut m.s. zinc pl.			Insert zinc die chrome pl.	
chrome plated	A20	A26	Square 6	1000-59
for square and triangular	1001-U13	1001-U14	Square 7	1000-04
for double bit	1001-U15	1001-U16	Square 8	1000-05
for Daimler Benz	1001-U17	1001-U18	Triangular 7	1000-06
for FIAT	1001-U32	-	Triangular 8	1000-07
black powder coated			Double bit 3	1000-08
for square and triangular	1001-U24	1001-U25	Double bit 5	1000-09
for double bit	1001-U26	1001-U27	Daimler Benz	1000-64
for Daimler Benz	1001-U28	1001-U29	FIAT	1000-352
for FIAT	1001-U33	-	IP 65 with:	
			Flat seal	1000-23
			O-ring	1000-24

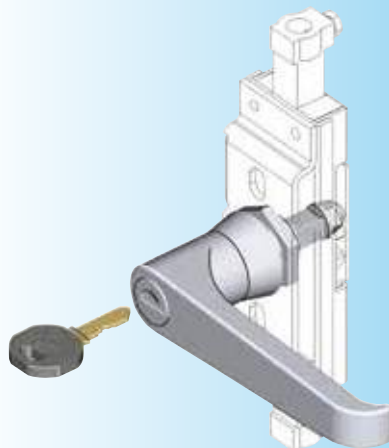
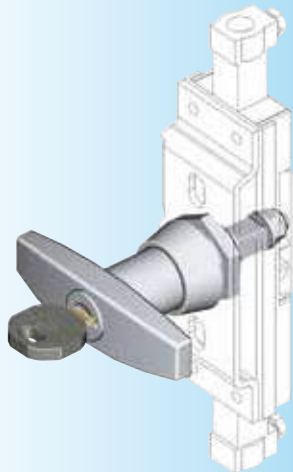
Further parts see page

- T-Handle 2A-140
- L-Handle 2A-140
- Rods 1C-620
- Profile half cylinder 2B-220
- Key 12B-120
- Escutcheon 12D-120
- Adapter system for insulated doors 2A-180

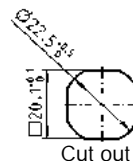
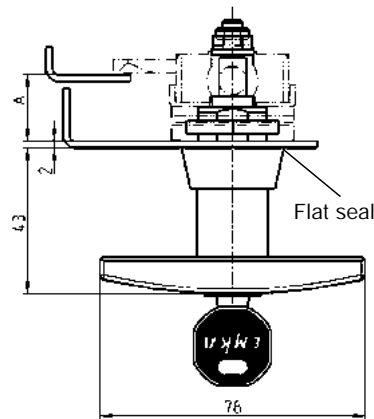
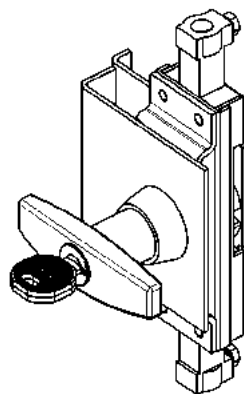
Handle PROGRAM SCREW ON



Info
1 Quarter turns
2 Rod controls

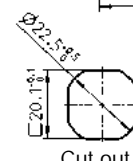
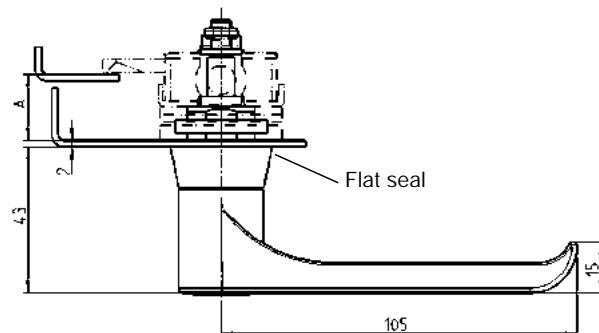
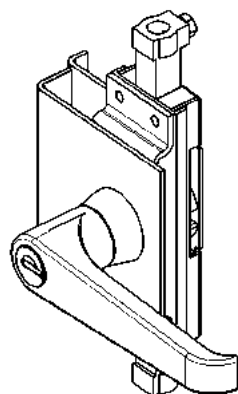


T-Handle



Cut out

L-Handle



Cut out

T-Handle zinc die with nut and washer m.s. zinc pl., with seal.
Each round cylinder has one silver steel key with polyamide grip GF black.

		non locking	Keyed EMKA 333	keyed different
A20	chrome plated	1102-U1	1102-U3	1102-U5
	black powder coated	1102-U7	1102-U9	1102-U11
A26	chrome plated	1102-U2	1102-U4	1102-U6
	black p.c.	1102-U8	1102-U10	1102-U12

L-Handle zinc die with nut and washer m.s. zinc pl., with seal.
Each round cylinder has one silver steel key with polyamide grip GF black.
– Insert spring loaded –

		chrome plated		black p.c.	
		A20	A26	A20	A26
non locking	(IP 65)	1103-U1	1103-U2	1103-U21	1103-U22
keyed EK 333	(IP 65)	1103-U3	1103-U4	1103-U23	1103-U24
keyed different	(IP 65)	1103-U5	1103-U6	1103-U25	1103-U26
Square	7	1103-U7	1103-U8	1103-U27	1103-U28
Square	8	1103-U9	1103-U10	1103-U29	1103-U30
Triangular	7	1103-U11	1103-U12	1103-U31	1103-U32
Triangular	8	1103-U13	1103-U14	1103-U33	1103-U34
Double bit	3	1103-U15	1103-U16	1103-U35	1103-U36
Double bit	5	1103-U17	1103-U18	1103-U37	1103-U38
Daimler Benz		1103-U19	1103-U20	1103-U39	1103-U40

Suitable for program:

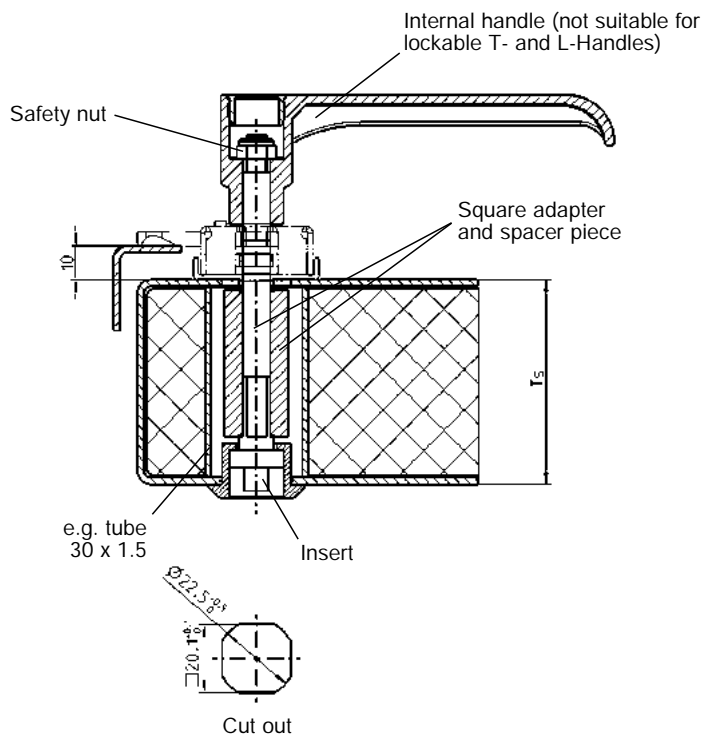
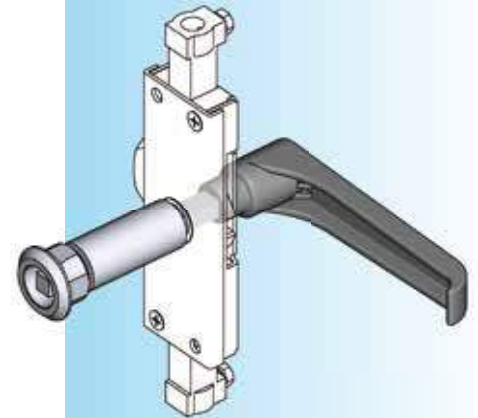
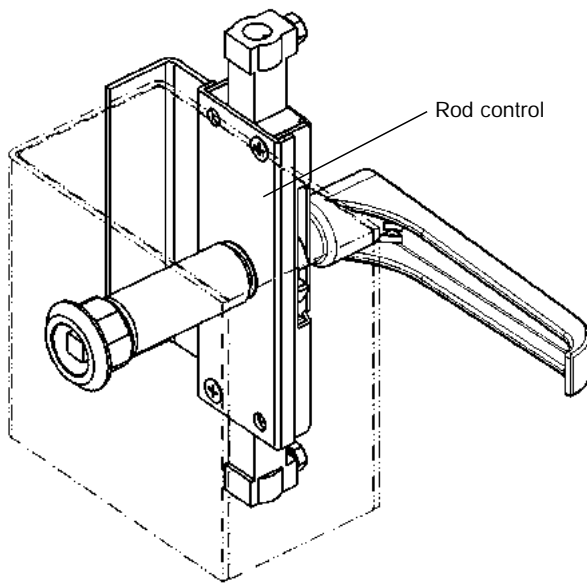
1001
1049
1068

Further parts see page

– Dust cap for T-Handle 1C-340
– Spare key 12B-140
– Adapter system for insulated doors 2A-180

Adapter system

PROGRAM SCREW ON



System can be pre-assembled with handle or insert and retained with M6 safety nut.

Insert, m.s. zinc plated Key guide zinc die chrome plated Safety nut m.s.zinc plated	Door gauge T_s	Square adapter m.s.z.pl.	Spacer piece aluminium
Square 7	20	-	-
Square 8	40	1x1001-65	1001-69
Double bit 5	50	1x1001-66	1001-70
Adapter for internal handle m.s.zinc plated	60	1x1001-67	1001-71
	80	2x1001-66	1001-72
Int. handle polyamide black	100	2x1001-67	1001-73
	1000-U829		

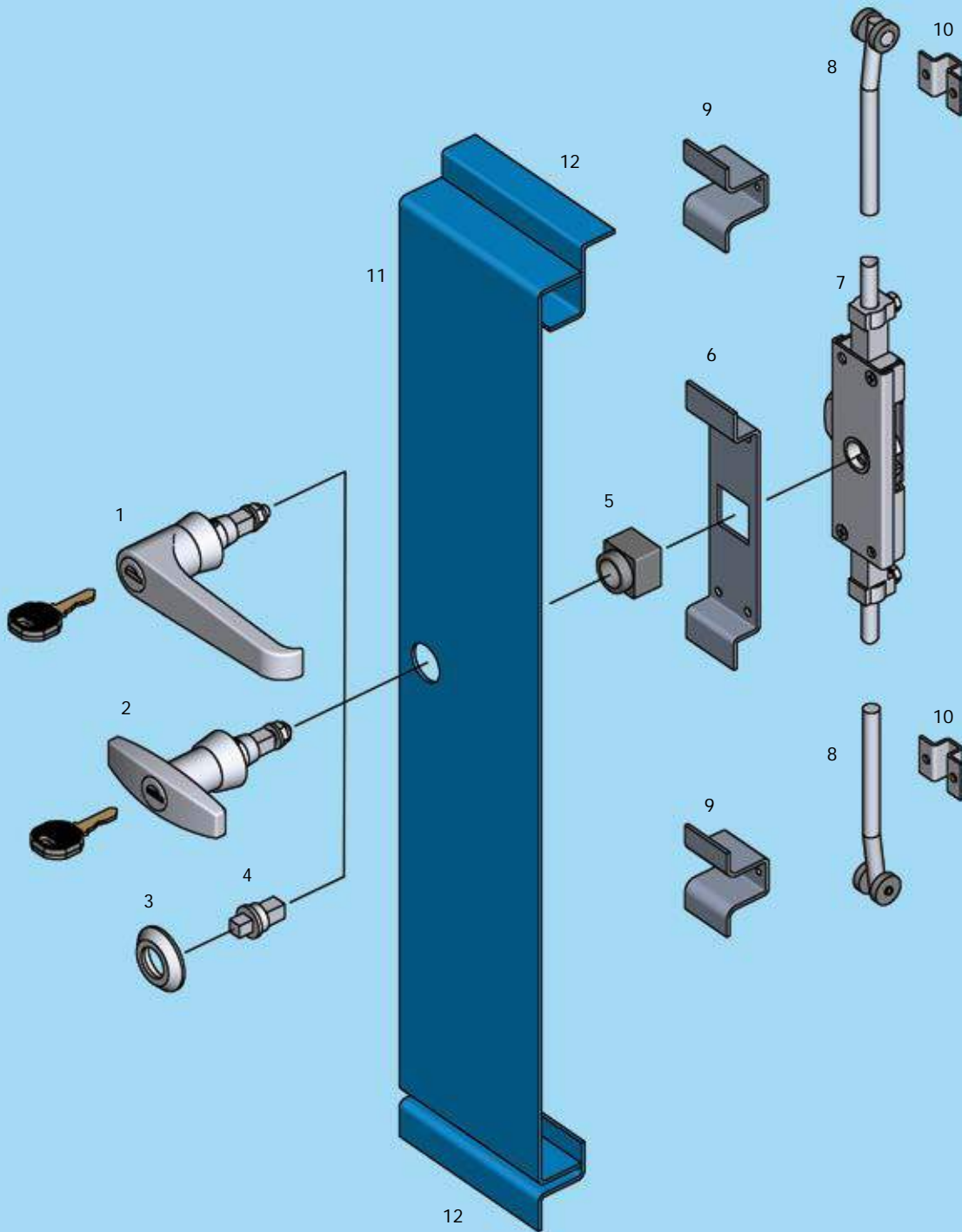
Further parts see page
– Rotation prevention
– Rod control

- 1C-360
- 2A-120
- 2B-120
- 2B-130
- 2B-180

– T- or L-Handle
A = 26

2A-140

Latches for heavy duty weld-on



- | | | |
|----|---------------|-----------------------------|
| 1 | L-Handle | 2B-160 |
| 2 | T-Handle | 2B-160 |
| 3 | Bezel | 2B-160 |
| 4 | Insert | 2B-160 |
| 5 | Key guide | 2B-160 |
| 6 | Support | 2B-120 up to 2B-140, 2B-180 |
| 7 | Rod control | 2B-120 up to 2B-140, 2B-180 |
| 8 | Rod | |
| 9 | Rod support | |
| 10 | Rod guide | |
| 11 | Door | |
| 12 | Cabinet/frame | |

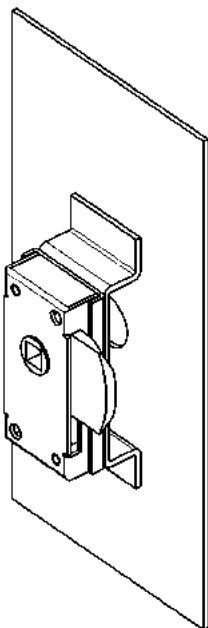


2B-100

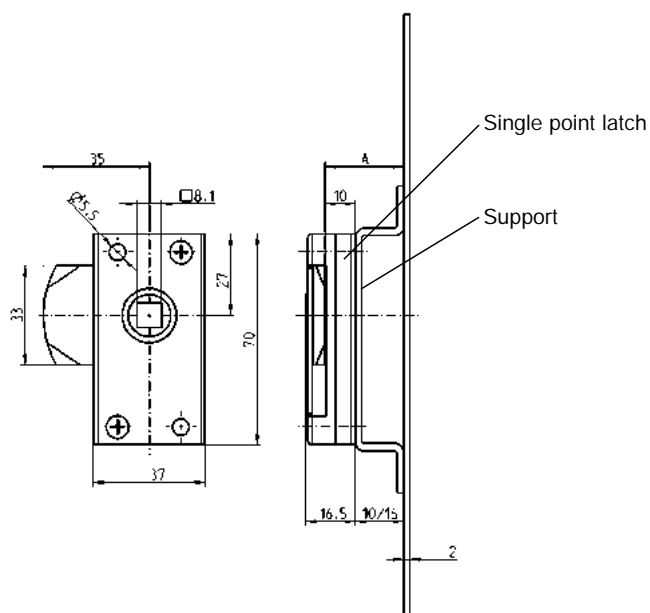
One / Two point latch and hooked latch

PROGRAM WELD ON

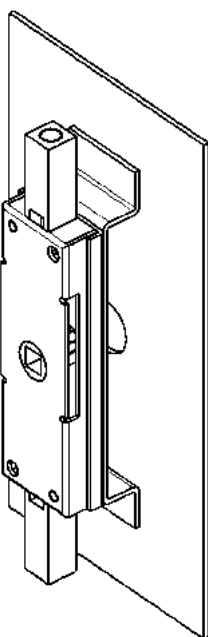
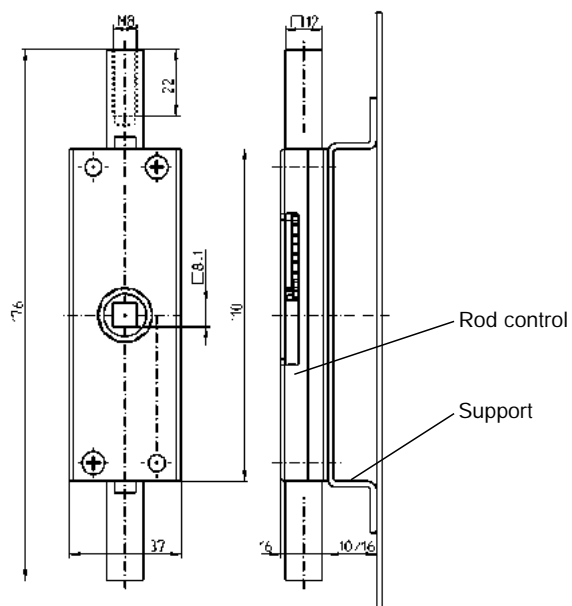
One point latch



90° Turn



Two point latch for screw-in rod

180° turn
stroke 32 mm

One point latch m.s. zinc pl., RH and LH-version

1002-U1

Support m.s. raw

A20

1002-04

A26

1002-05

Two point latch m.s. zinc pl.

RH

1001-U19

LH

1001-U20

Support m.s. raw

A20

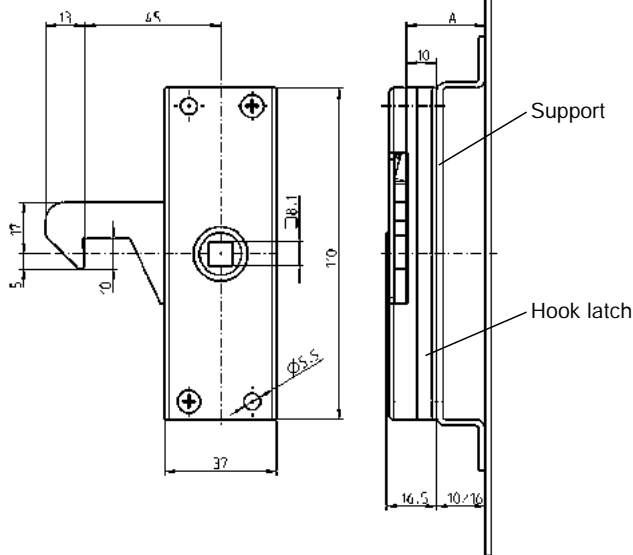
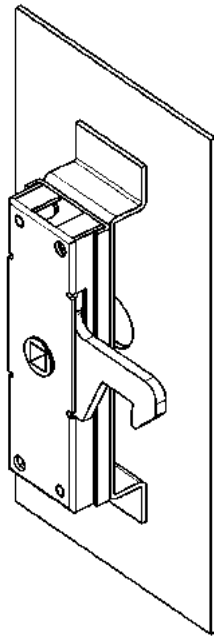
1001-18

A26

1001-19

Hook latch

Hook free running
(spring loaded)



Hook latch m.s. zinc pl.

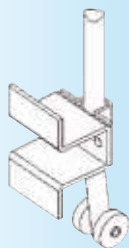
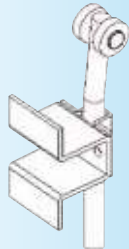
RH	1001-U30
LH	1001-U31

Support m.s. raw

A20	1001-18
A26	1001-19

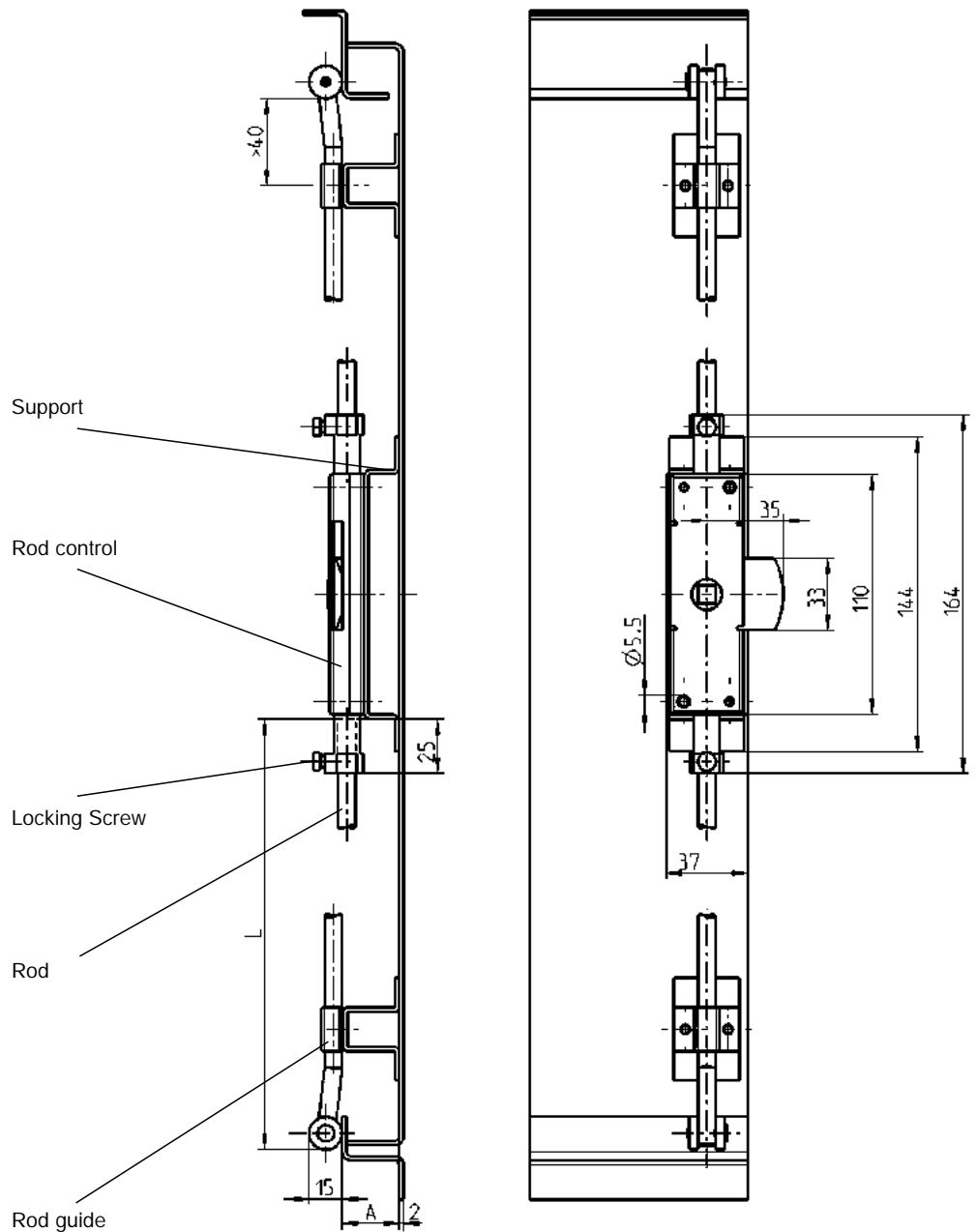
Further parts see page

- Insert	2B-160
- T-Handle	2B-160
- L-Handle	2B-160
- Ring-handle	2B-190
- Rod	1C-620
- Adapter system for insulated doors	2A-180



3 point latch for round rods, fixed with screw
Stroke 13 or 18 mm

90° Turn



Latch without insert can be operated with a male square key during assembly, see page 12B-120

Further parts see page

- Insert, bezel 2B-160
- L-Handle 2B-160
- T-Handle 2B-160
- Ring-handle 2B-190
- Rod 1C-620

- Program 1107**
- Swinghandle 3A-220

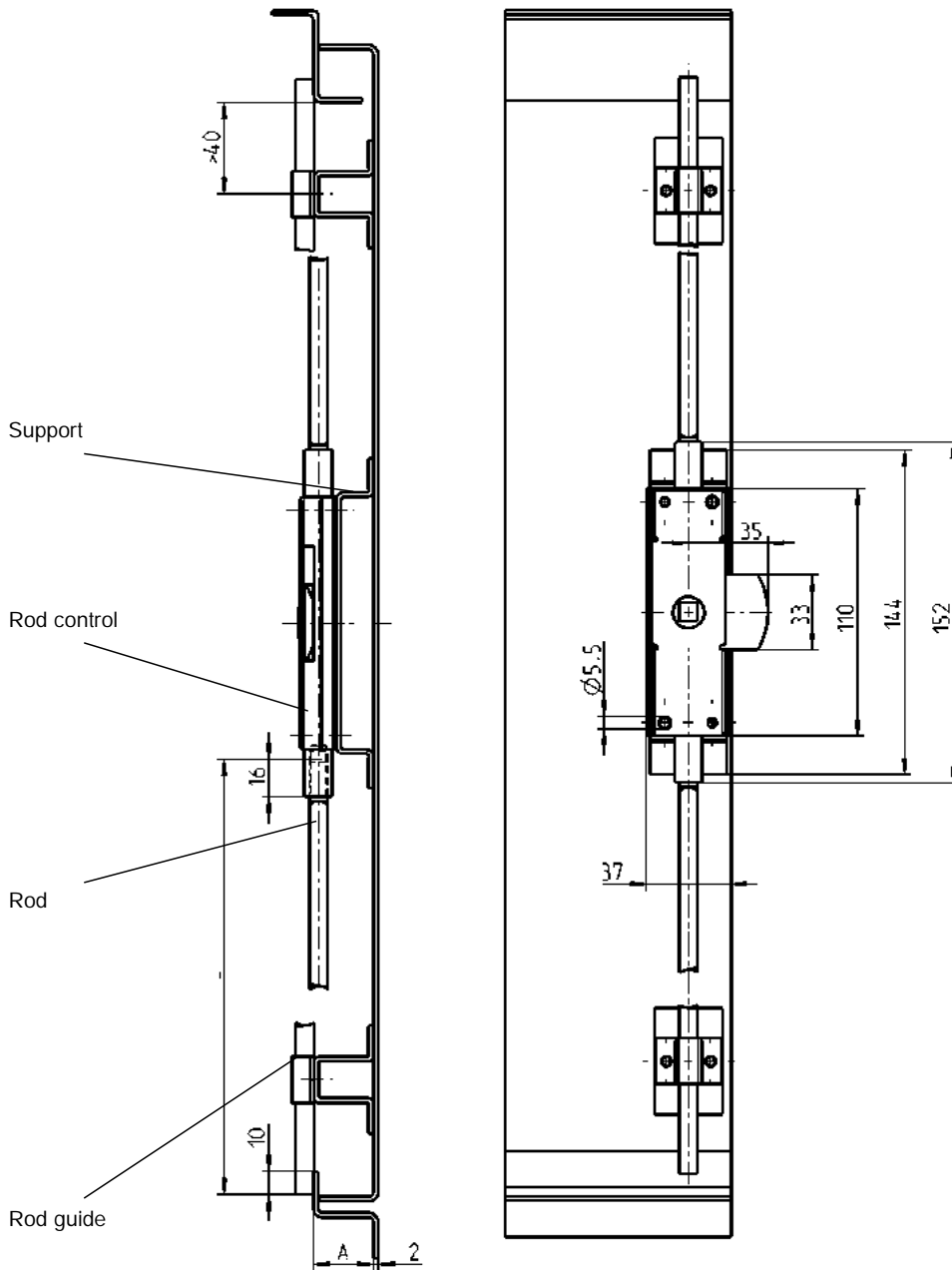
Latch m.s. zinc plated	Stroke 13	Stroke 18
RH	1049-U1	1049-U19
LH	1049-U2	1049-U20
Support m.s. raw	A20	A26
	1001-18	1001-19

Rod control

PROGRAM WELD ON

3 point latch for round rods.
Stroke 13 mm

90° Turn



Latch without insert can be operated with a male square key during assembly, see page 12B-120



Latch m.s. zinc plated	Stroke 13	
RH	1001-U1	
LH	1001-U2	
Support m.s. raw	A20	A26
	1001-18	1001-19

Further parts see page

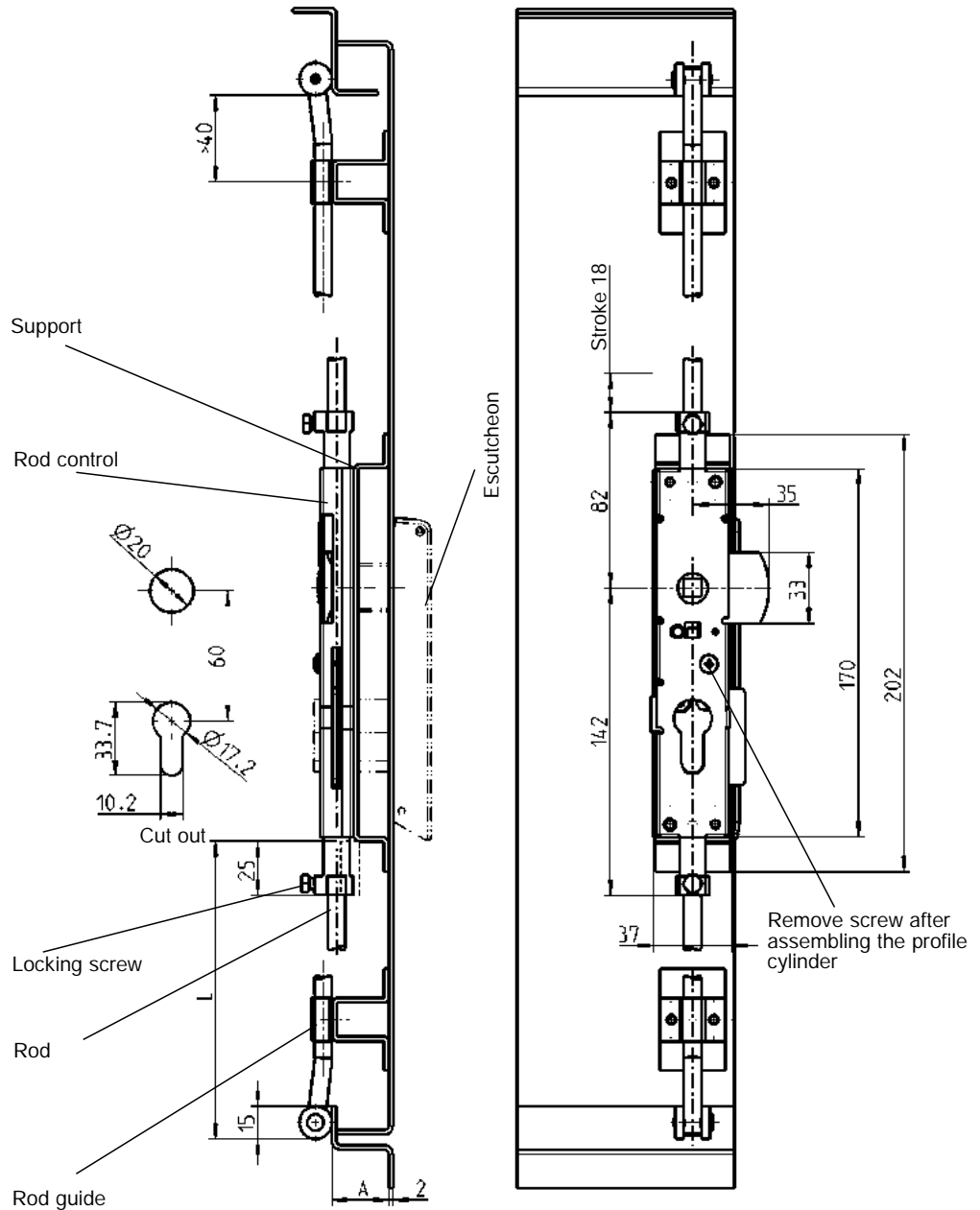
- Insert, bezel 2B-160
- L-Handle 2B-160
- T-Handle 2B-160
- Ring-handle 2B-190
- Rod 1C-620

Program 1107

- Swinghandle 3A-220



90° Turn
Stroke 18 mm



Further parts see page

- Insert, bezel 2B-160
- T-Handle 2B-160
- L-Handle 2B-160
- Ring-handle 2B-190
- Rod 1C-620
- Profile half cylinder 2B-220
- Escutcheon 12D-120

Latch m.s. zinc plated

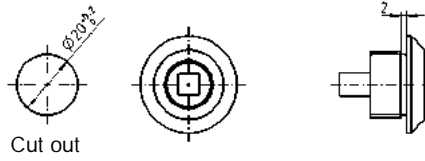
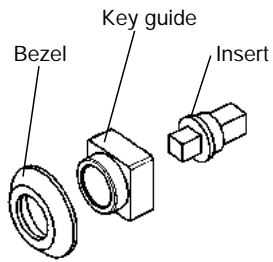
RH	1068-U1
LH	1068-U2

Support m.s. raw

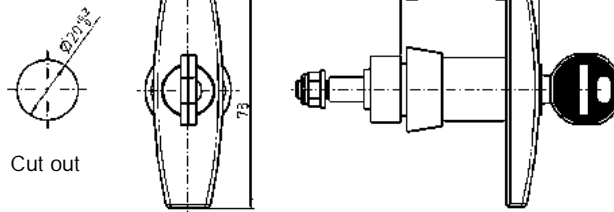
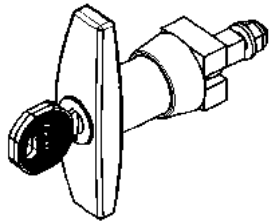
A20	1017-14
A26	1017-15

Blind plug for profile cylinder cut out

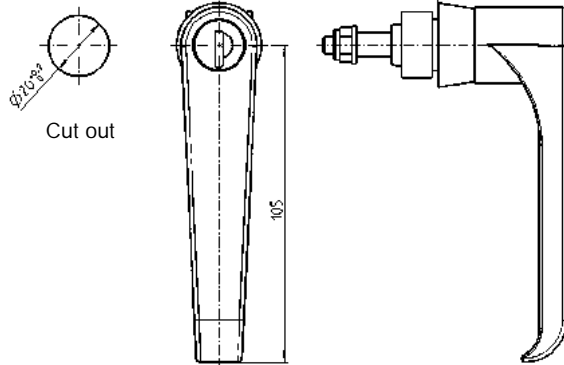
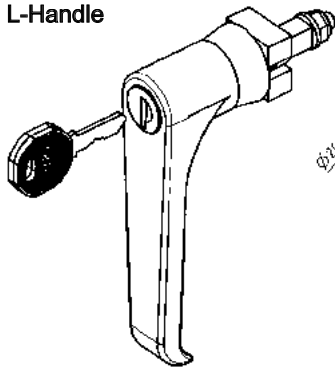
A20	1059-U1
A26	1059-U2



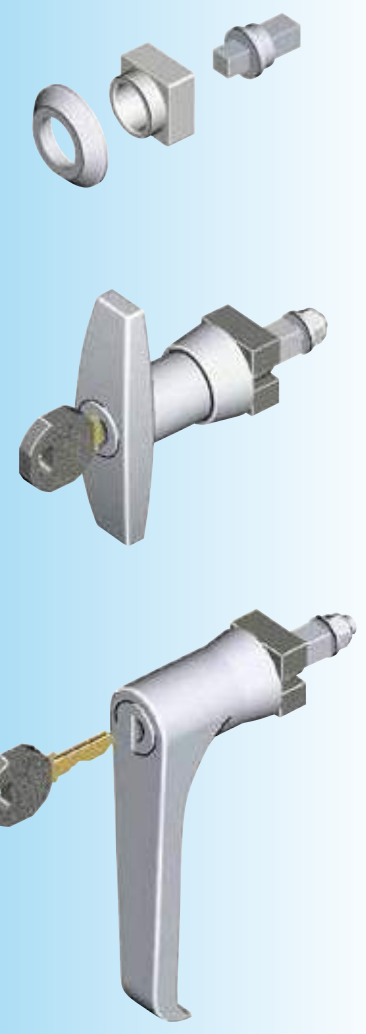
T-Handle



L-Handle



RL



Insert zinc die chrome plated

Square 7	1001-23
Square 8	1001-24
Triangular 7	1001-25
Triangular 8	1001-26
Double bit 3	1001-27
Double bit 5	1001-28
Daimler Benz	1001-34

Key guide ABS	A20	A26
Square and triangular	1001-31	1001-32
Double bit	1001-29	1001-30
Daimler Benz	1001-35	1001-36

Bezel, self-adhesive	
ABS chrome plated	1001-33
to achieve an optical look alike with quarter turn page 1B-140	

T-Handle zinc die chrome plated

Nut m.s. zinc pl.	A20	A26
non locking	1005-U1	1005-U4
keyed EK 333	1005-U2	1005-U5
keyed different	1005-U3	1005-U6

L-Handle, zinc die chrome plated

Nut m.s. zinc pl.	A20	A26
non locking	1044-U1	1044-U4
keyed EK 333	1044-U2	1044-U5
keyed different	1044-U3	1044-U6
Square 7	1044-U7	1044-U8
Square 8	1044-U11	1044-U12
Triangular 7	1044-U13	1044-U14
Triangular 8	1044-U15	1044-U16
Double bit 3	1044-U17	1044-U18
Double bit 5	1044-U19	1044-U20
Daimler Benz	1044-U9	1044-U10
Eastern Europe $\varnothing 13$	1044-U21	1044-U22

Note:

Spring loaded return (two handed operation)

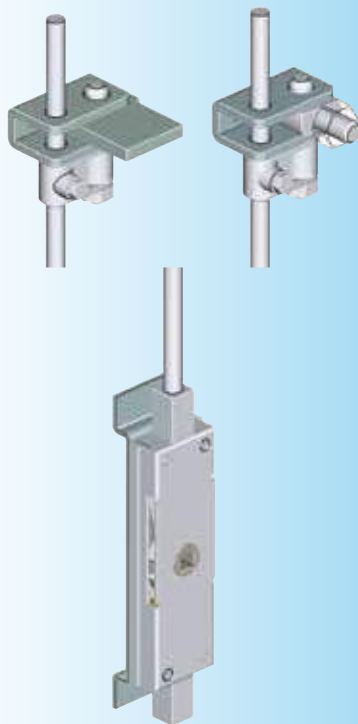
Further parts see page

- Dust cap for T-Handle 1C-340
- Key 12B-120
- Spare key 12B-140
- Hook latch 2B-120
- Rod control 2B-130
- up to 2B-140

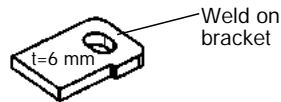
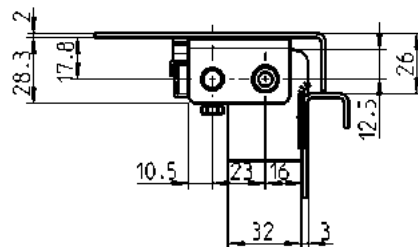
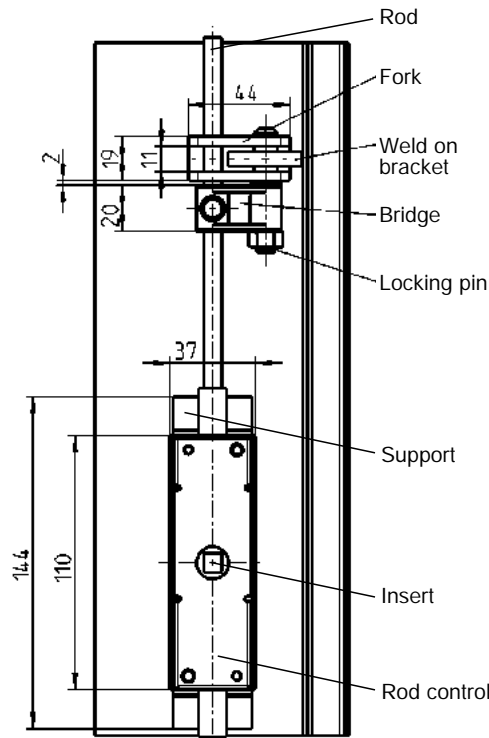


Version A

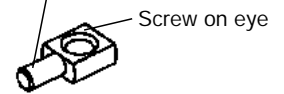
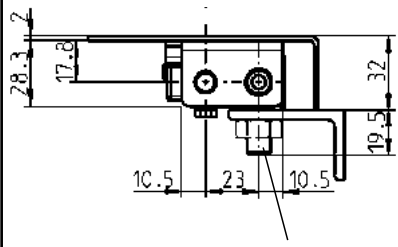
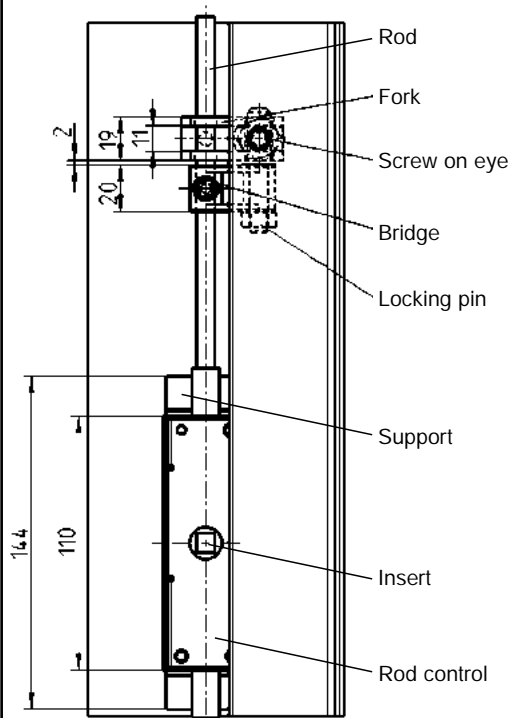
Version B



Version A



Version B



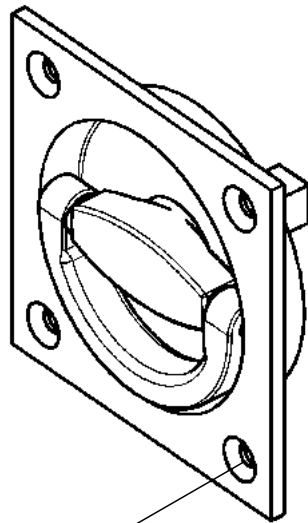
Individual parts on request

Further parts see page
– Screw-on hinge

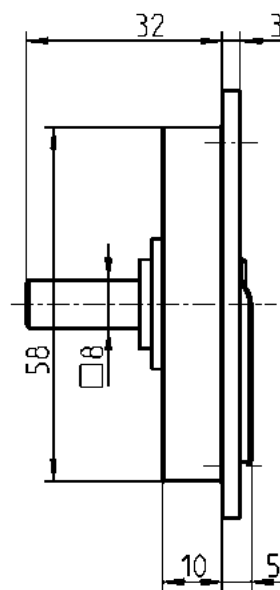
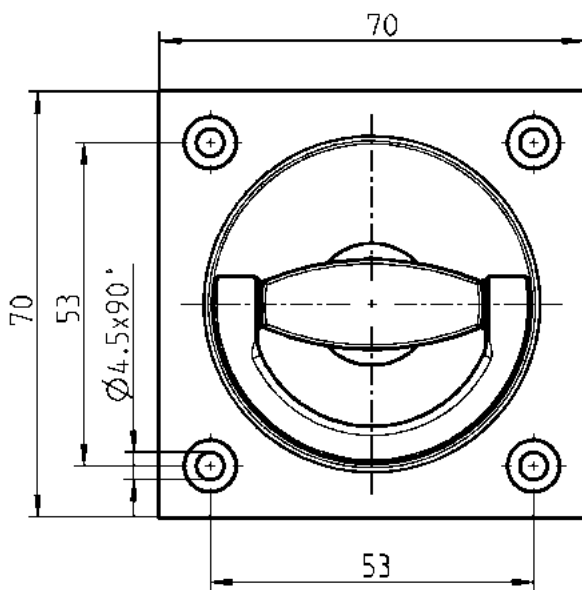
4A-260

Latch m.s. zinc plated	Stroke 18
RH	1001-U9
LH	1001-U10
Support m.s. raw	1001-18
Insert zinc die chrome pl.	
Double bit 5	1001-28
Key guide ABS	1001-29
Bezel ABS chrome pl.	1001-33
Rod m.s. zinc pl.	
L = 1000 mm	1092-03
Pressure tight link complete (consisting of see below):	
Fork m.s.raw, Bridge zinc die zinc pl., Locking stud m.s. zinc plated and	
Version A: Weld on bracket m.s.raw	1092-U03
Version B: Screw on eye m.s. zinc pl.	1092-U04

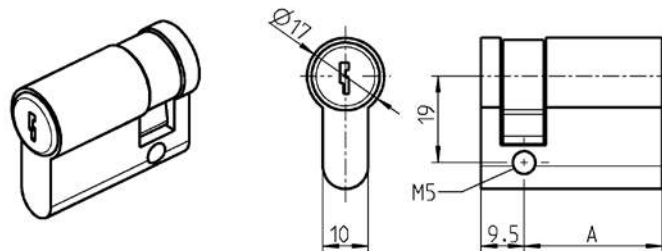
Ring-handle PROGRAM WELD ON



For countersunk
small head M4
DIN ISO 2009,
2010, 7046-1,
7046-2, 7047



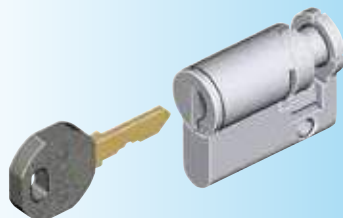
Profile half cylinder to DIN 18 252 (EN 1303)



**Profile half cylinder according to DIN 18 252
brass nickel pl. with 3 keys**

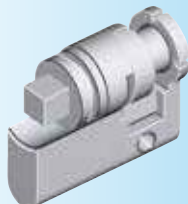
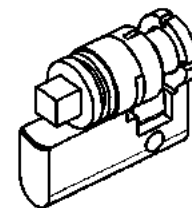
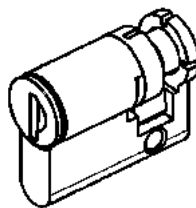
keyed different	A = 30	1089-U1
keyed 110319 N	A = 30	1089-U2
keyed different	A = 40	1089-U3
keyed 110319 N	A = 40	1089-U4

(Master key system on request)



**EMKA Profile half cylinder with round
cylinder, rotates 360°**

**EMKA Profile half cylinder with inserts,
rotates 360°**

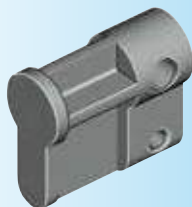


EMKA profile half cylinders with round cylinder zinc die with stainless steel cap and shutter with one silver steel key with polyamide grip black, rotates 360°.

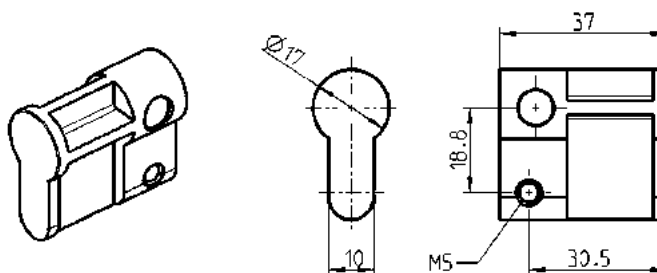
keyed different or keyed EK 333 on request

EMKA profile half cylinder with insert zinc die chrome pl., rotates 360°.

Insert, e.g. square, triangular, double bit, slotted and more on request



Blind plug



Blind plug polyamide GF black

1109-09-AA

Further parts see page

- Key 12B-120
- Spare key 12B-140
- Rod control 2A-120
- 2B-140

Blind plug for rod locking system program 1068

A20

A26

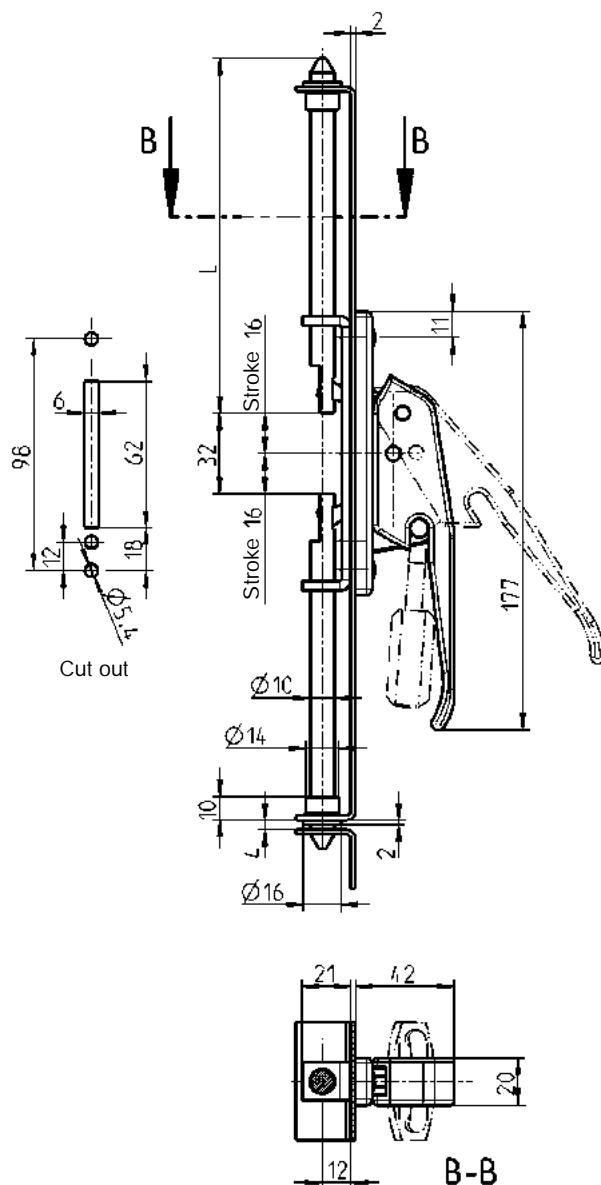
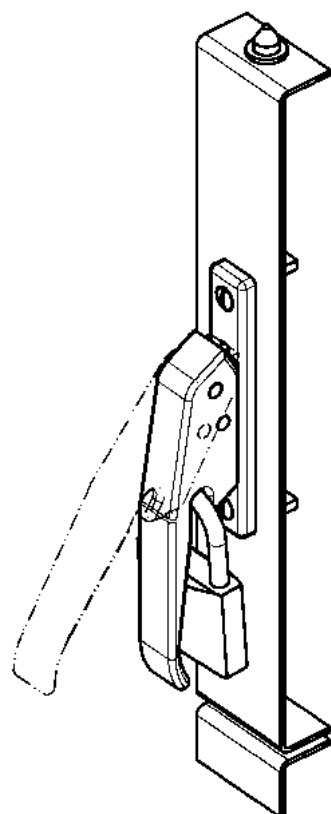
(illustration shown on bottom right of this page)

1059-U1

1059-U2

Lever locking system

PROGRAM 1099



**Lever version of choice, guiding bracket m.s. zinc plated
guiding bushes brass nickel plated, screws m.s. zinc plated**

Lever zinc die silver powder coated	1099-U1
Lever polyamide black	1099-U4
Lever for padlock zinc die silver powder coated	1099-U6

Rod m.s. zinc pl.

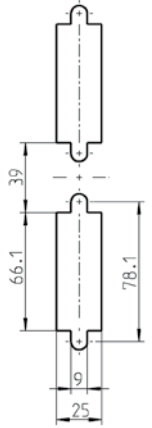
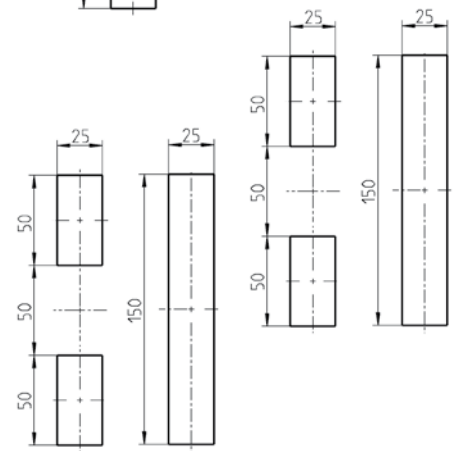
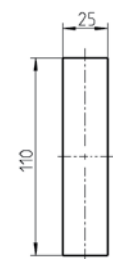
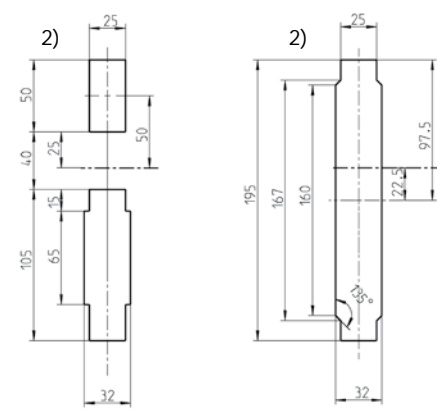
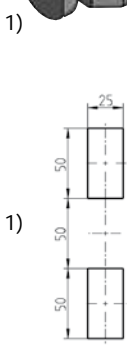
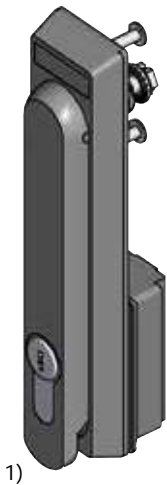
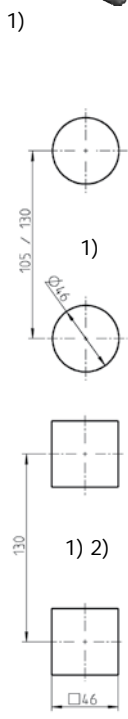
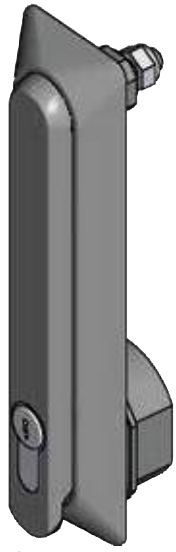
L = 1100 mm	1099-03
Other lengths on request	

Swinghandles, lift handles and escutcheons, Part 1

1 Quarter turns

2 Rod controls

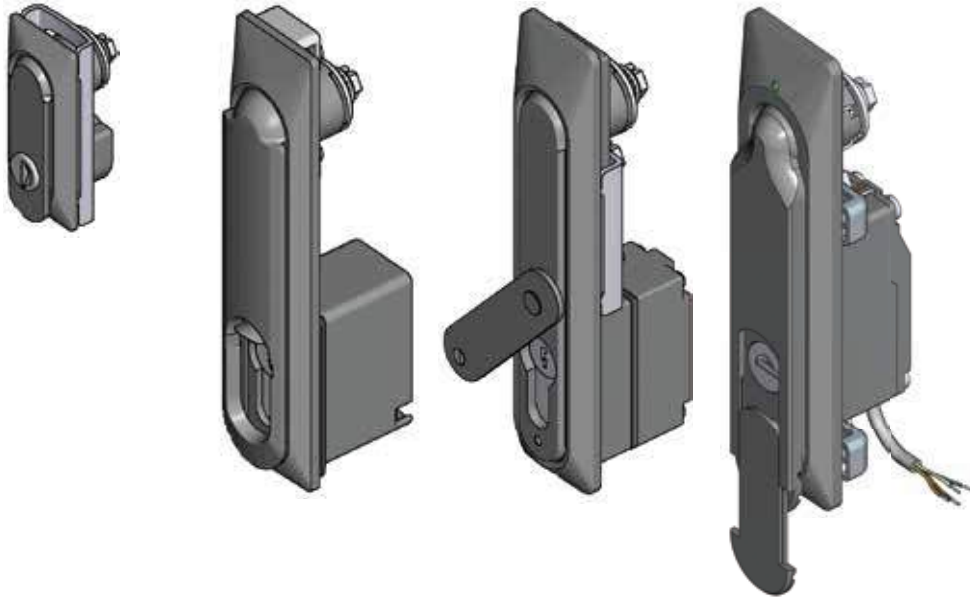
1107	1125	1125	1150	1150	1150
Swinghandle	Swinghandle	Double cylinder-swinghandle	Swinghandle 1150	Swinghandle 1150	Swinghandle 1151
3A-100	3B-100	3B-100	3C-100	3C-100	3C-100



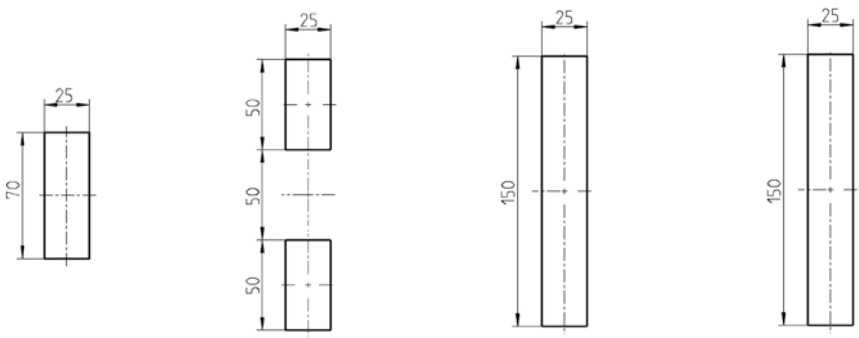
•	•	•	•	•	•
•	•	•	•	•	•
IP 65	IP 40/IP 65	IP 65	IP 65	IP 40	IP 54/IP 65
•	•	•	•	Emergency opening	•
•	•	•	•	•	•
•	•	•	•	•	•
•	•	•	•	•	•
•	•	•	•	•	•
•	•	•	•	•	•
•	•	•	•	•	•

1150	1150	1150	1150
Swinghandle 1152	Swinghandle 1153	Swinghandle 1154	Swinghandle 1154
3C-100	3C-100	3C-100	3C-100

Beschlagteile
see page



Please see next page for second part. Survey of further products.

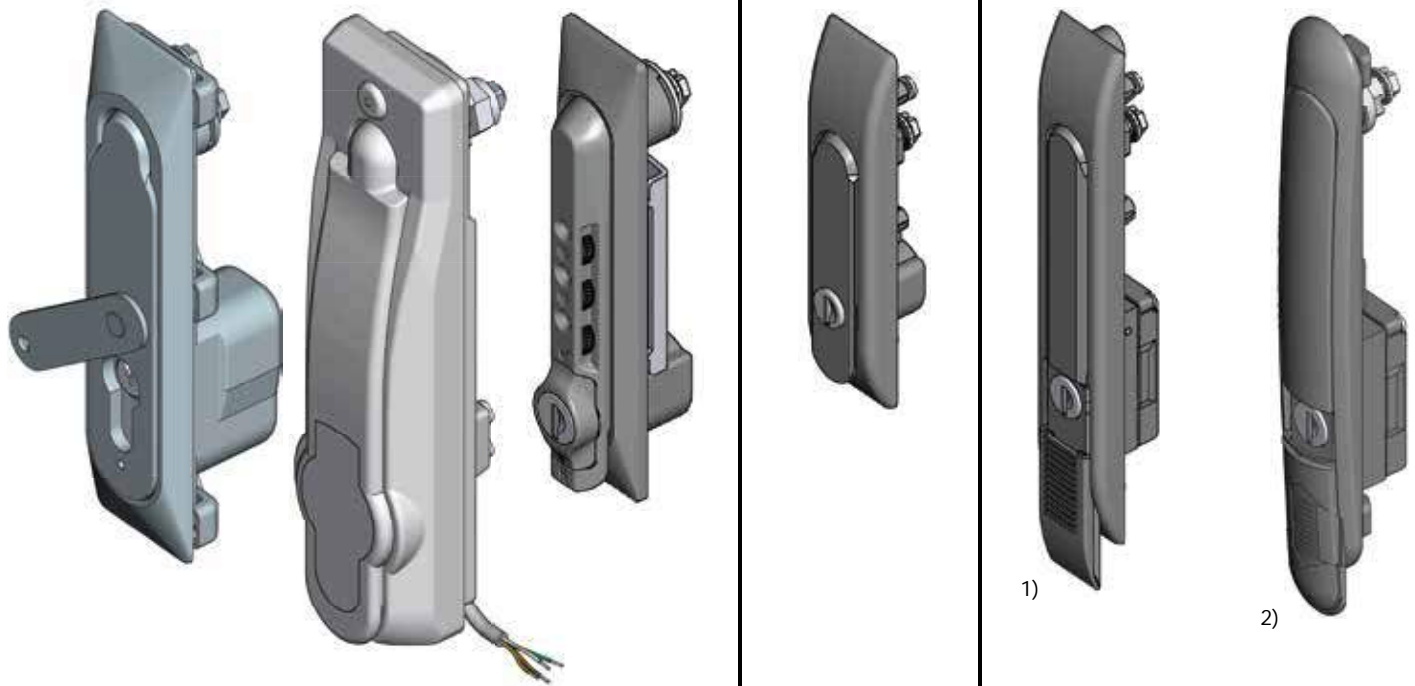


•	•	•	•	Assembling inside the gasketing
				Outside the gasketing
IP 40/IP 65	IP 65	IP 65	IP 65	Protection: IP
•				Unlocked with insert
	•	•	•	Unlocked with round cylinder
				Unlocked with profile half cylinder
	•	•	•	Unlocked electronically
•				Unlocked without key
•				Modular locking
	•	•	•	Handle and escutcheon polyamide
				Handle zinc die and escutcheon polyamide
•	•	•	•	Handle and escutcheon zinc die
		•		Handle and escutcheon stainless steel
				Fitting escutcheons

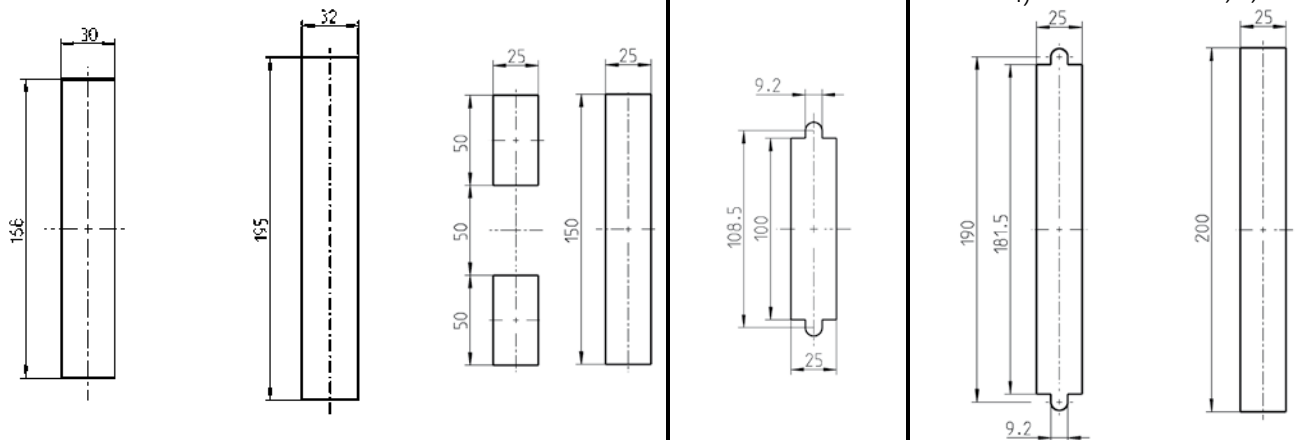
Swinghandles, lift handles, and escutcheons, part 2

	1150	1150	1150	1160	1180	1180
1 Quarter turns	Swinghandle 1154	Swinghandle 1154	Swinghandle 1155	Swinghandle 3D-100	Swinghandle 1180	Swinghandle 1185
	3C-100	3C-100	3C-100	3D-100	3E-100	3E-100

2 Rod controls



3 Locking systems

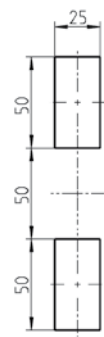
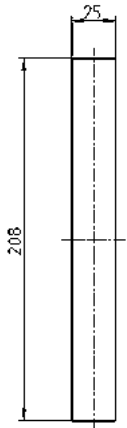
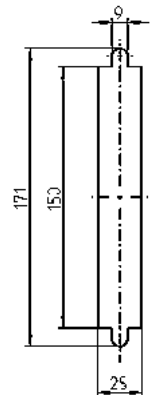
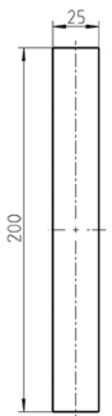
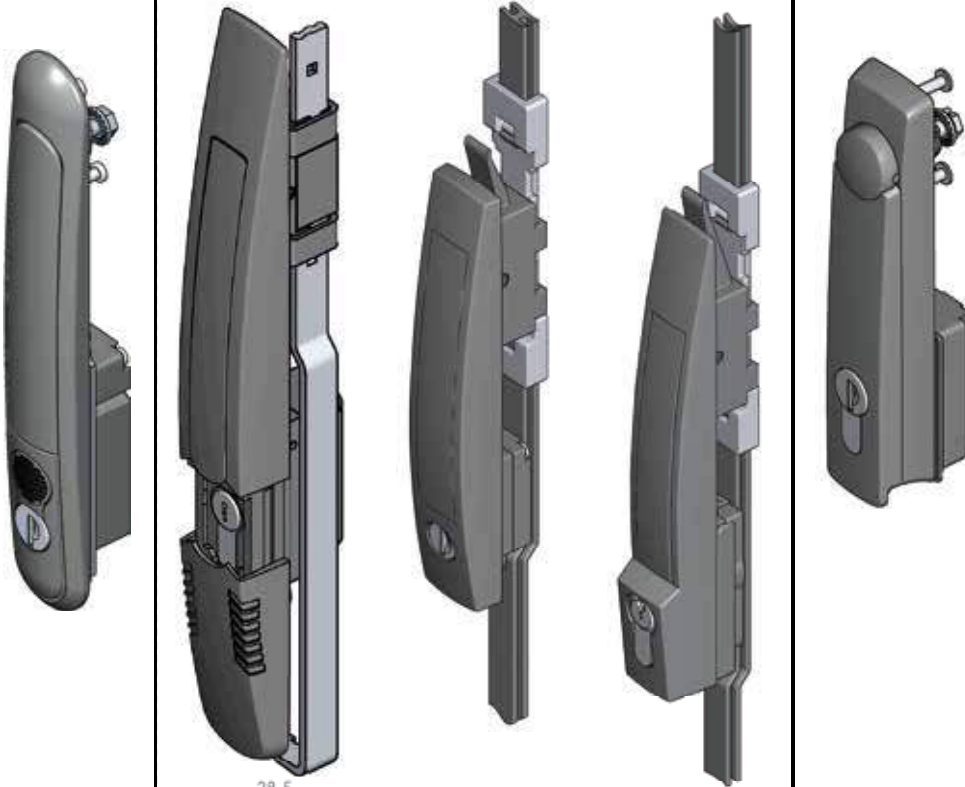


•	•	•	•	•	•
•	•	•	•	•	•
IP 65	IP 65	IP 65	IP 65	IP 54	IP 54
•	•	•	•	•	•
•	•	•	•	•	•
•	•	Combination lock	•	•	•
•	•	•	•	•	•
•	•	•	•	•	•
•	•	•	•	•	•

1180	1190	1190	1190	1225
Swinghandle 1185	Lifthandle	Lifthandle	Lifthandle	Swinghandle
3E-100	3F-100	3F-100	3F-100	3G-100

Beschlagteile

see page



Please see next page for second part. Survey of further products.



Please see previous page for first part. Survey of further products.

•				•
•	•	•	•	•
IP 65	IP 40	IP 40	IP 40	IP 40/IP 65
•	•	•	•	•
•	•	•	•	•
•	•	•	•	•
•	•	•	•	•
•	•	•	•	•
•	•	•	•	•
•	•	•	•	•
•	•	•	•	•

- Assembling inside the gasketing
- Outside the gasketing
- Protection: IP
- Unlocked with insert
- Unlocked with round cylinder
- Unlocked with profile half cylinder
- Unlocked electronically
- Unlocked without key
- Modular locking
- Handle and escutcheon polyamide
- Handle zinc die and escutcheon polyamide
- Handle and escutcheon zinc die
- Handle and escutcheon stainless steel
- Fitting escutcheons

Swing handle, lift handle, and escutcheon, part 3

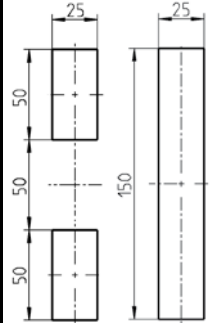
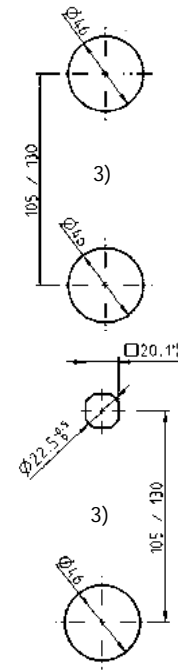
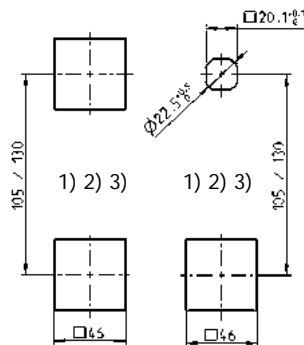
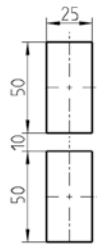
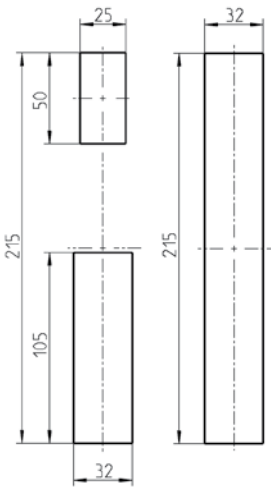
1225	1225	1317	1317	1317	1325
Double cylinder swing handle	Swing handle	Swing handle	Swing handle	Swing handle	Swing handle
3G-100	3G-100	3AB-100	3AB-100	3AB-100	3BA-100



1)

2)

3)

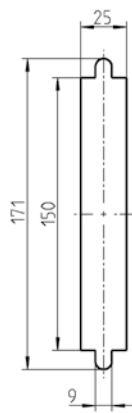
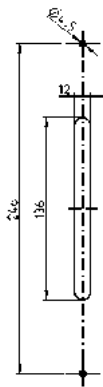
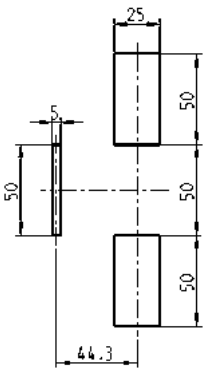


•	•	•	•	•	•
IP 65	IP 65	IP 65	IP 65	IP 65	IP 40/IP 65
•	•	•	•	•	•
•	•	•	•	•	•
•	•	•	•	•	•
•	•	•	•	•	•
•	•	•	•	•	•
•	•	•	•	•	•
•	•	•	•	•	•
•	•	•	•	•	•

1325	1390	2100	2400
Swing handle	Lifhandle	Swing handle	Swing handle
3BA-100	3FA-100	3H-100	3K-100

Beschlagteile

see page



Please see next page for second part. Survey of further products.



Please see previous page for first part. Overview of further products.

•		•		inside the gasketing
•	•	•	•	outside the gasketing
IP 65		IP 54	IP 40	IP rating
•	•	•	•	Unlocked with insert
•	•	•	•	Unlocked with round cylinder
•	•	•	•	Unlocked with profile half cylinder
		•	•	Unlocked electronically
•		•	•	Unlocked without key
•	•	•	•	Modular technology
•	•		•	Handle and dish polyamide
		•		Handle zinc die and dish polyamide
				Handle and dish zinc die
				Handle and dish stainless steel
		•		fitting escutcheons

Info
1 Quarter turns
2 Rod controls
3 Locking systems

Beschlagteile

3000

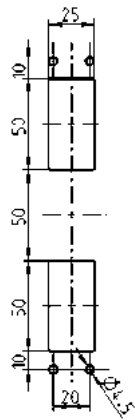
Swing handle

see page

3N-100



Please see previous page for first part. Overview of further products.



Assembling inside the gasketing



outside the gasketing



IP rating

Unlocked with insert

Unlocked with round cylinder

Unlocked with profile half cylinder

Unlocked electronically



Unlocked without key

Modular locking

Handle and dish polyamide

Handle zinc die and dish polyamide

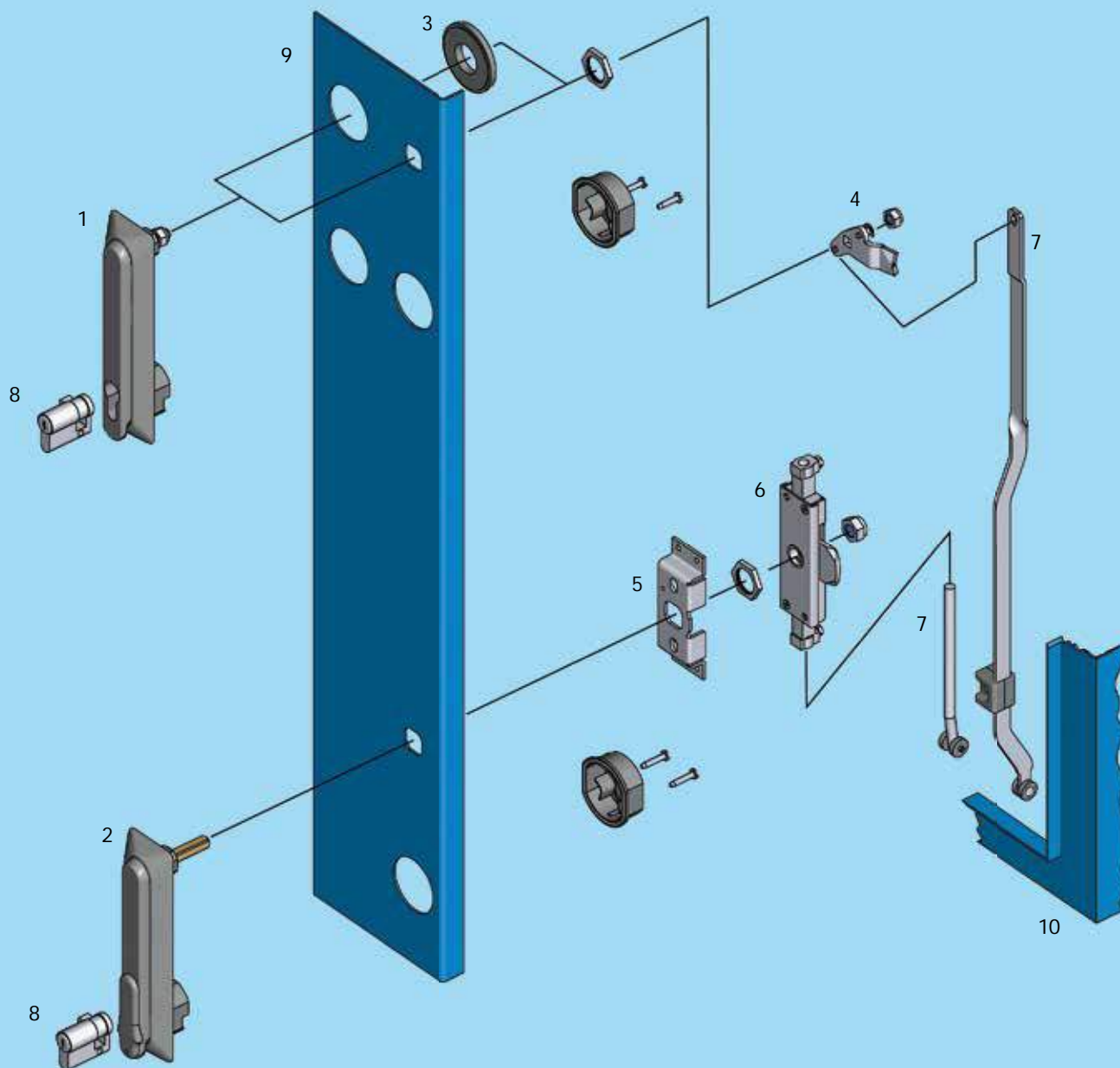


Handle and dish zinc die

Handle and dish stainless steel

Fitting escutcheons

Swinghandle Program 1107

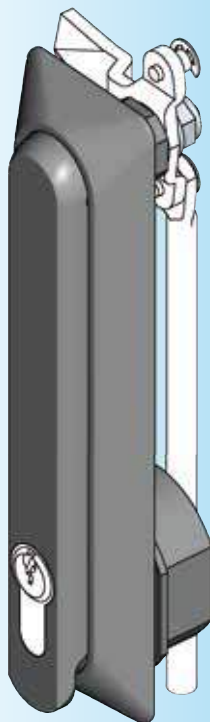


- 1 Swinghandle
- 2 Swinghandle
- 3 Adapter ring
- 4 Cam
- 5 Support
- 6 Rod control
- 7 Rod
- 8 Profile half cylinder
- 9 Door
- 10 Cabinet/frame

3A-120, 3A-140
3A-220

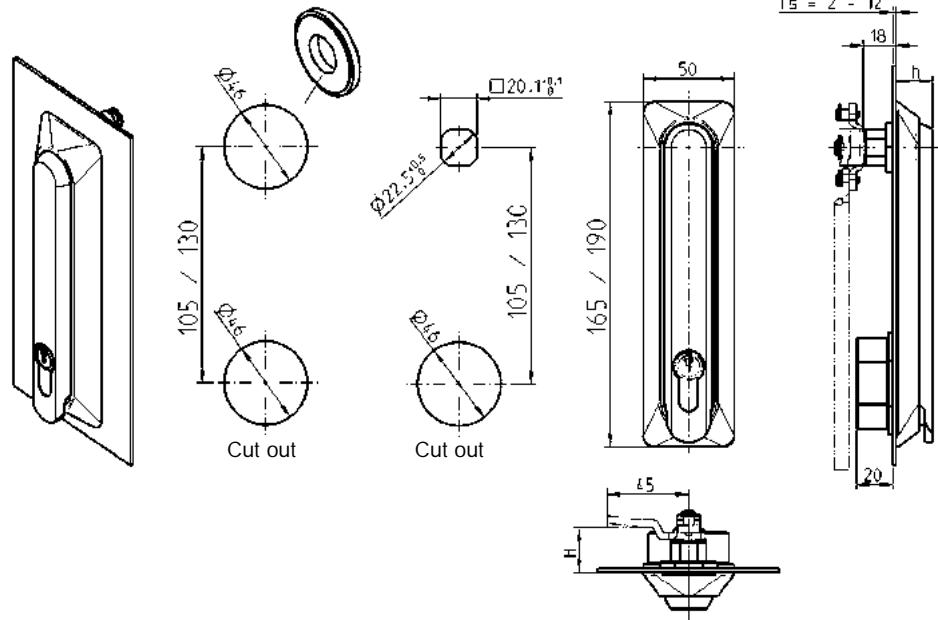


3A-100



Version A

Version B



Attention:

With adapter the maximum door gauge (TS) will be 6 mm

Note:

If door gauge (Ts) > 4 mm standard round rods cannot be used!

Swing handle "long" or "short" handle polyamide GF black; dish polyamide GF VO black; shaft brass; cylinder cover polyamide GF black; Fixing material m.s. zinc plated; with seal

Swing handle "long" (190) without cylinder cover

for 40 mm profile half cylinder (h = 20 mm)	1107-U1-G
---	-----------

Swing handle "long" (190) with cylinder cover sealable

for 40 mm profile half cylinder (h = 20 mm)	1107-U2-G
---	-----------

for 40 mm profile half cylinder (h=20 mm) (handle zinc die black powder coated)	1107-U102-G
---	-------------

for 45 mm profile half cylinder (h=25 mm)	1107-U32-G
---	------------

Swing handle "short" (165) without cylinder cover

for 40 mm profile half cylinder (h=20 mm)	1107-U158-G
---	-------------

Swing handle "short" (165) with cylinder cover sealable

for 40 mm profile half cylinder (h=20 mm)	1107-U159-G
---	-------------

for 45 mm Profile half cylinder (h=25 mm)	1107-U169-G
---	-------------

Adapter polyamide GF black required for cut out version A

	1107-53
--	---------

* Order screw set separately if Ts = 4-12 mm

1107-U170

Further parts see page

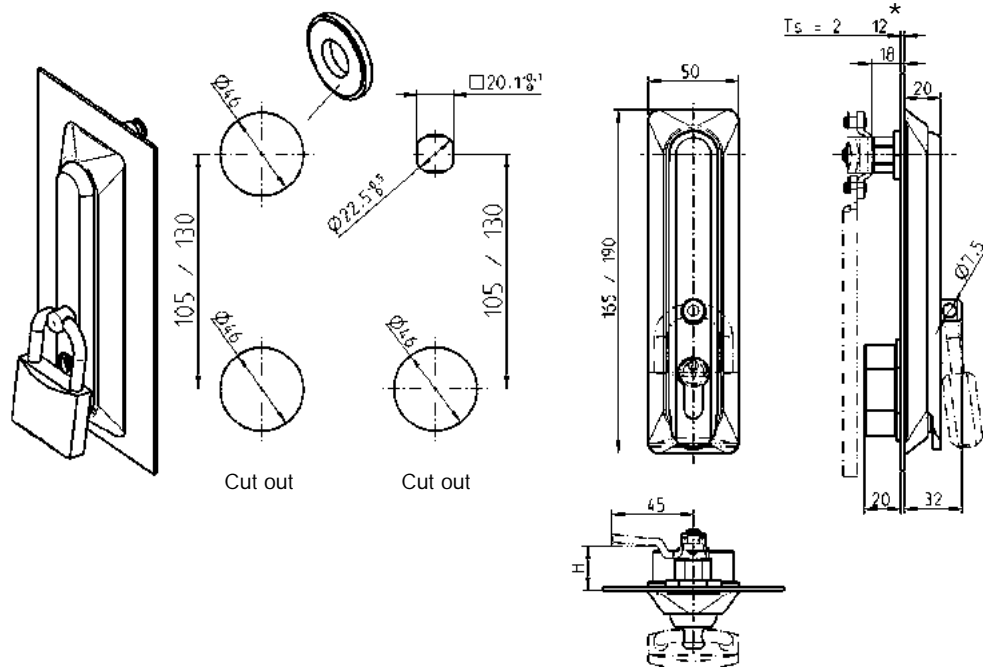
- Cam 3YC-120
- Rod control for cam 3YC-180
- Profile half cylinder 3XB-120

Swinghandle for padlock

PROGRAM 1107



Version A Version B

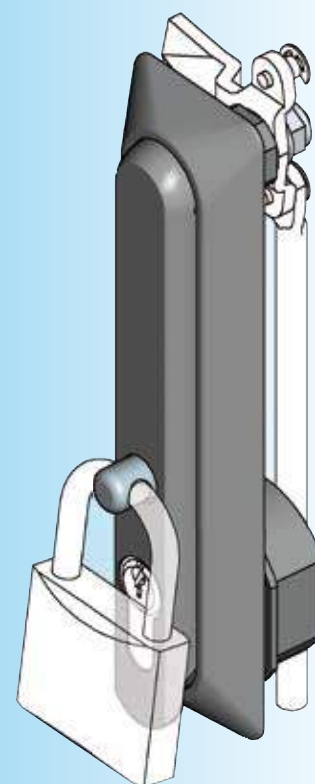


Attention:

With adapter the maximum door gauge (TS) will be 6 mm

Note:

If door gauge (Ts) > 4 mm standard round rods cannot be used!



Swing handle "long" or "short" handle polyamide GF black; dish polyamide GF V0 black; shaft brass; padlock shackle AISI 303; fixing material m.s. zinc plated; with seal

Swing handle "long" (190)

for 40 mm profile half cylinder

1107-U96-G

Swing handle "short" (165)

for 40 mm profile half cylinder

1107-U164-G

Adapter polyamide GF black required for cut out version A

1107-53

* Order screw set separately if $T_s = 4-12$ mm

1107-U170

Further parts see page

- Cam 3YC-120
- Rod control for cam 3YC-180
- Profile half cylinder 3XB-120

Info

1 Quarter turns

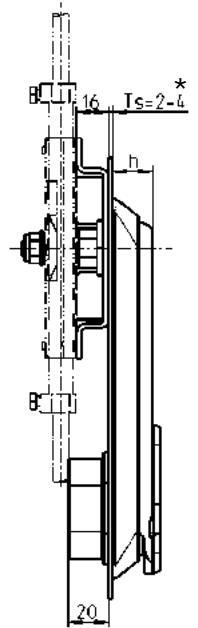
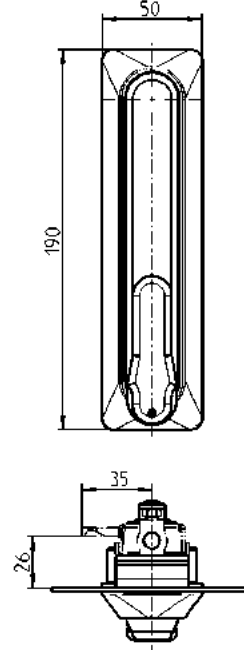
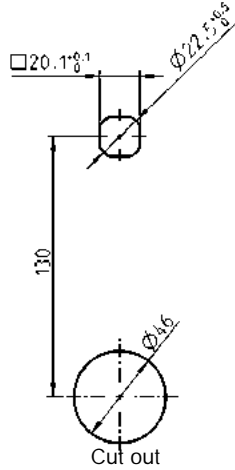
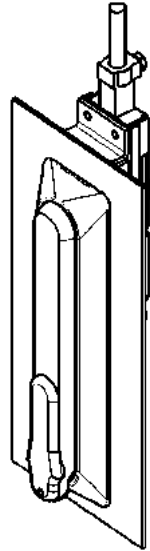
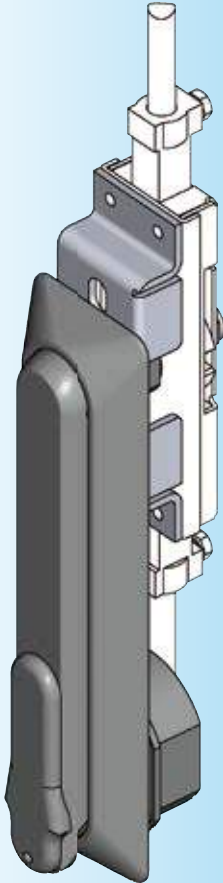
2 Rod controls

3 Locking systems



RL

IP 65



* Ts > 4-11 on request

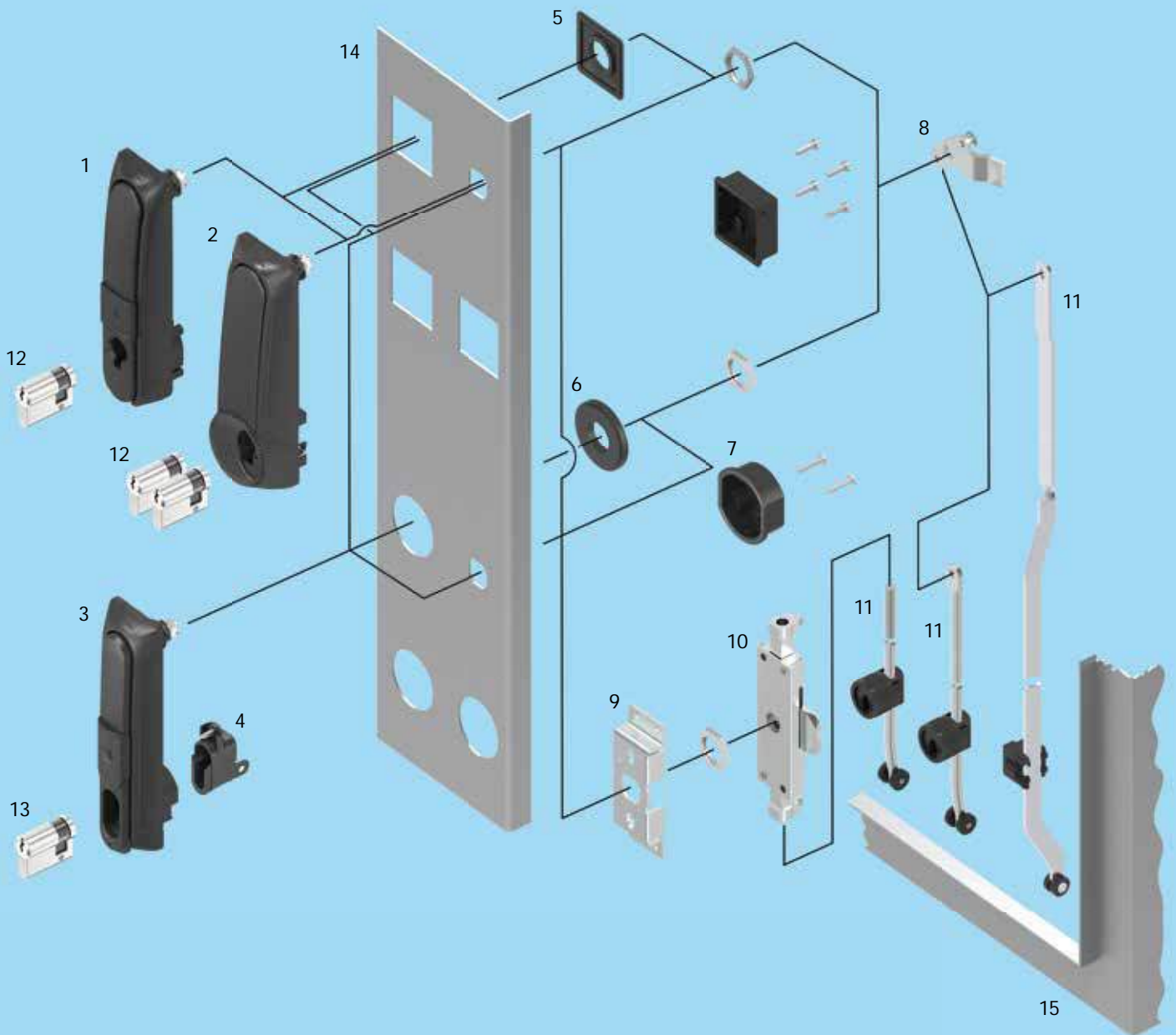
Further parts see page

- Rod control 2B-130
- 2B-135
- Profile half cylinder 3XB-120

Handle material as requested; dish polyamide GF V0 black;
cylinder cover sealable polyamide GF black;
shaft brass; fixing material m.s. zinc plated; with seal;
for 40 mm profile half cylinder (h=20 mm)

Handle polyamide GF black	1107-U14-G
Handle zinc die black p.c.	1107-U104-G
Support m.s. zinc plated	
RH and LH version	1001-50

Swinghandle Program 1317



- | | | |
|----|---|------------------|
| 1 | Swinghandle with RC2 | 3AB-120 |
| 2 | Double cylinder swinghandle with RC2 | 3AB-160; 3AB-220 |
| 3 | Swing handle with modular locking system | 3AB-140; 3AB-220 |
| 4 | Locking set | |
| 5 | Adapter frame | |
| 6 | Adapter ring (not included in the delivery) | |
| 7 | Dust cap (not included in the delivery) | |
| 8 | Cam | |
| 9 | Support | |
| 10 | Rod control | |
| 11 | Rod | |
| 12 | Profile half cylinder | |
| 13 | Locking options, e.g. profile half cylinder | |
| 14 | Door | |
| 15 | Cabinet/frame | |



3AB-100

Swinghandle with RC2; mechanical or electromechanical release

PROGRAM 1317

Resistance class: RC2 DIN EN 1630, achieved by profile half-cylinder according to DIN EN 18252-BZ or DIN EN 1303 with resistance class 2 with protection against drilling and pulling. The profile half-cylinder should be certified and monitored by PIV CERT or alternatively by a certifying body according to DIN EN ISO/IEC 17065.

Size: "long" (189,5 mm; cut out 130 mm) or "short" (164.5 mm; cut out 105 mm)
Material: Zinc die black powder coated or zinc die gray powder coated (RAL 7038) or GD-Zn grau gepulvert (RAL 7038) und antigriffit lackiert

Mechanical version:
Profile half cylinder: 40 mm and 45 mm; adjust locking cam on 6 or 7 o'clock.
 On 3 or 5 o'clock push-to-close is not possible
Sealable: yes

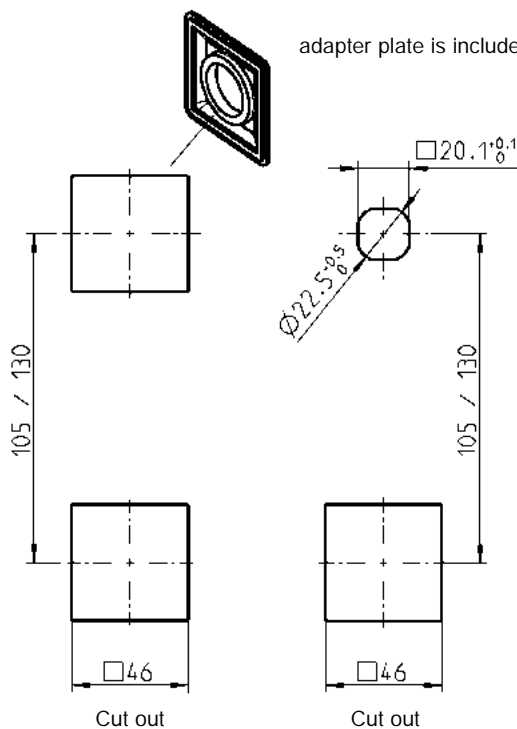
Electromagnetic version (EL):

Application: Indoor and outdoor at -30°C to +80°C
Release: by inputting a 48 V DC signal
Power-on time: up to 1 minute
Display: optional by LED
Telemonitoring: by reed contact
Close: press the handle in the escutcheon until the locking mechanism engages
Emergency opening: optional with 40 mm or 45 mm profile half cylinder

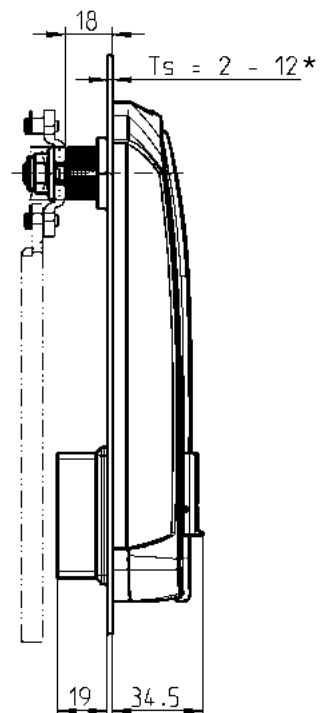
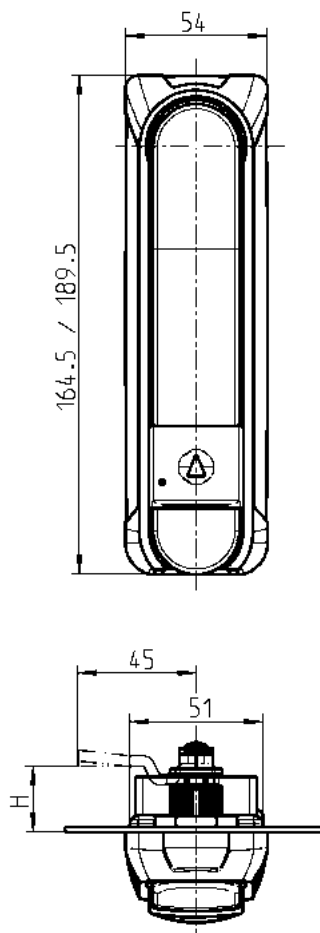
Version A

Version B

* $T_s > 6 \text{ mm} - 12 \text{ mm}$ on request



adapter plate is included in the delivery



Product benefits

- The swinghandle successfully passed the test in accordance with RC2 DIN EN 1630
- The test in accordance with protection level IK 10 following DIN EN 50102 was passed successfully
- Integrated scratch protection prevents surface damage (handle / dish)
- tested and approved by Deutsche Telekom

Attention:

With use of an adapter plate the maximum door gauge (T_s) is 6 mm.

Note:

The use of circular standard rod is not possible with a door gauge (T_s) > 6 mm!

Note:

Without profile half-cylinder, opening is only possible by temporary key 1004-44-01AA

** In case of the mechanical and the electromechanical model, only the profile half-cylinder according to DIN EN 18252 and DIN EN 1303 can be used.



Swing handle "long" or "short" dish and handle zinc die, surface on request shaft brass;
cylinder cover polyamide black or grey (RAL 7038);
cap zinc die black powder coated;
adapter plate polyamide GF black for cut out version A;
blind plug polyamide GF black (loose), spring, data sheet and assembling instruction included in the electromechanical version;
fixing m.s. zinc plated; with seal

**Swinghandle "long" (189.5)
zinc die black powder coated**

mechanical version for 40 mm profile half cylinder, with additional cam position 30°	1317-U122
mechanical version for 45 mm profile half cylinder	1317-U123
mechanical version for type KABA 1514	on request
electromechanical version optional for 40 and 45 mm profile half cylinder	1317-U161-02

**Swinghandle "long" (189.5)
zinc die grey powder coated (RAL 7038)**

mechanical version for 40 mm profile half cylinder, with additional cam position 30°	1317-U122-BO
mechanical version for 45 mm profile half cylinder	1317-U123-BO

**Swinghandle "long" (189.5)
zinc die grey powder coated (RAL 7038) and anti-graffiti coated**

mechanical version for 40 mm profile half cylinder, with additional cam position 30°	1317-U122-HJ
mechanical version for 45 mm profile half cylinder	1317-U123-HJ
mechanical version for type KABA 1514	on request
electromechanical version optional for 40 and 45 mm profile half cylinder	1317-U161-02HJ

**Swinghandle "short" (164.5)
zinc die black powder coated**

mechanical version for 40 mm profile half cylinder, with additional cam position 30°	1317-U102
mechanical version for 45 mm profile half cylinder	1317-U103
mechanical version for type KABA 1514	1317-U131
electromechanical version optional for 40 and 45 mm profile half cylinder	1317-U151-02

**Swinghandle "short" (164.5)
zinc die grey powder coated (RAL 7038)**

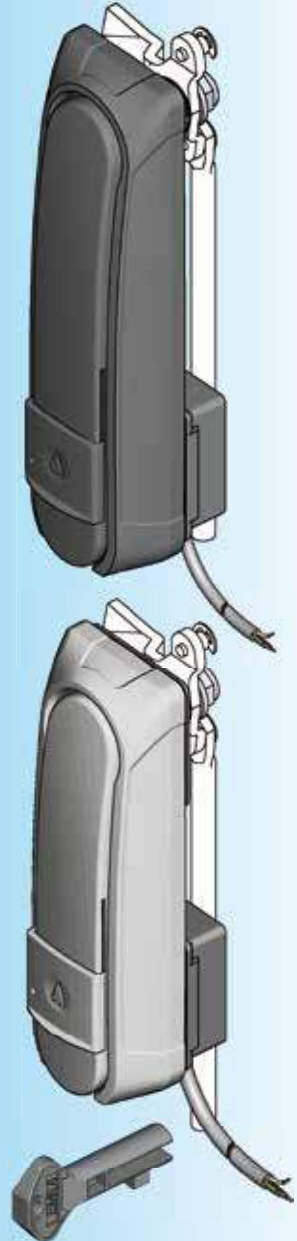
mechanical version for 40 mm profile half cylinder, with additional cam position 30°	1317-U102-BO
mechanical version for 45 mm profile half cylinder	1317-U103-BO

**Swinghandle "short" (164.5)
GD-Zn grey powder coated (RAL 7038) and anti-graffiti coated**

mechanical version for 40 mm profile half cylinder, with additional cam position 30°	1317-U102-HJ
mechanical version for 45 mm profile half cylinder	1317-U103-HJ
mechanical version for type KABA 1514	1317-U131-HJ
electromechanical version optional for 40 and 45 mm profile half cylinder	1317-U151-02HJ

Construction key polyamide black

1004-44-01AA



Note:
The electromechanical version is also available in 12 V DC on request.

Further parts see page

- Cam 3YC-120
- 3-point cam 3YC-180
- ** Profile half cylinder 3XB-120

Swing handle with modular locking system

PROGRAM 1317

Single cylinder-swinghandle

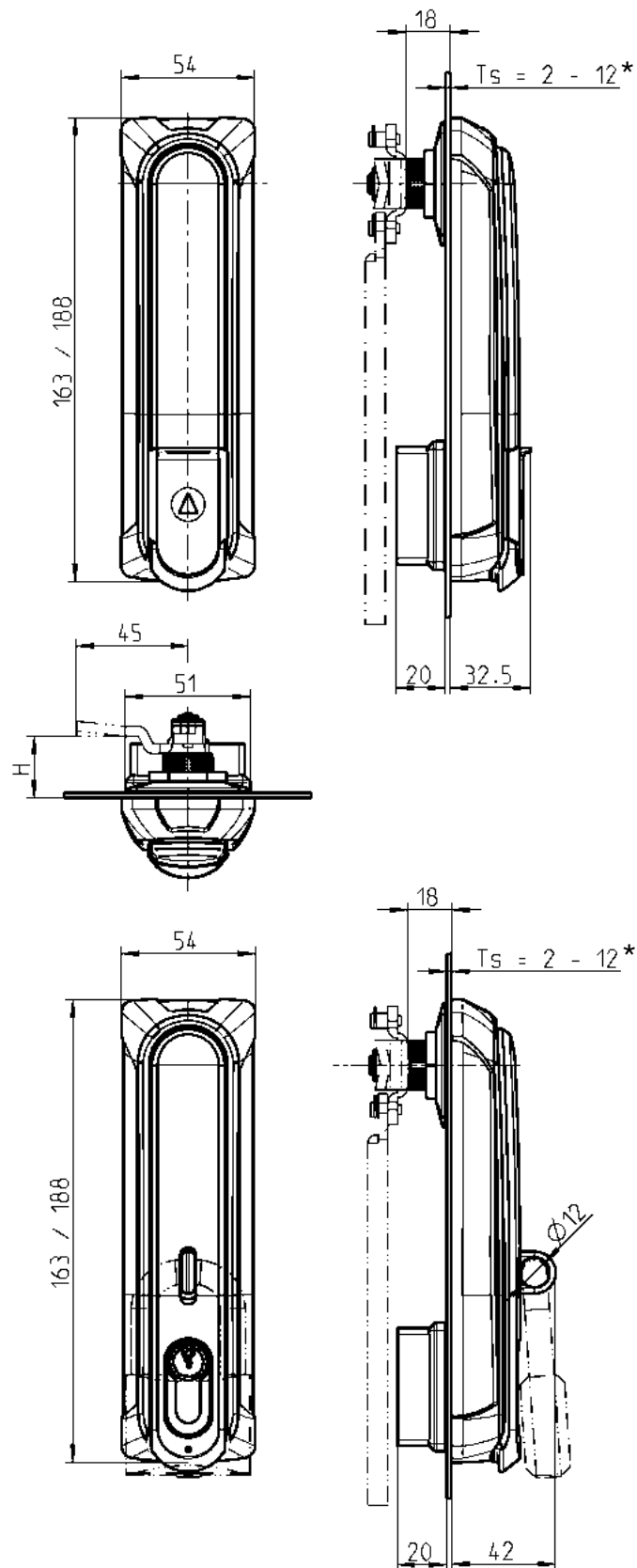
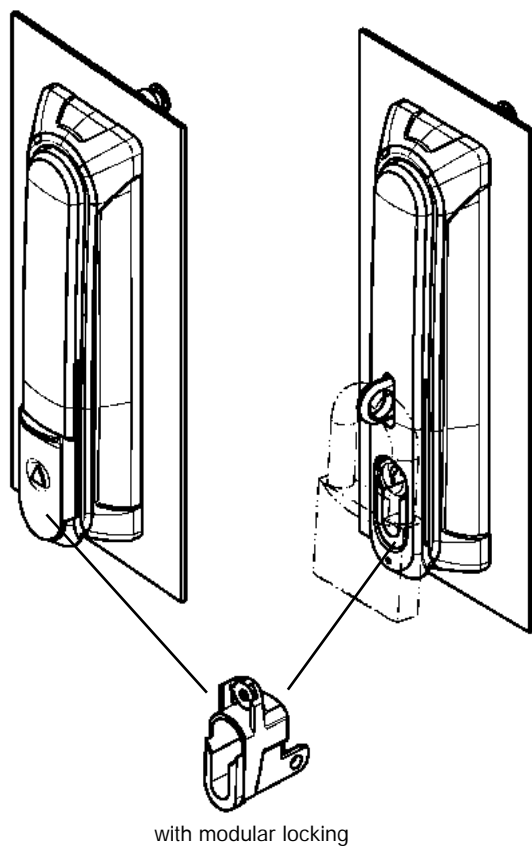
Size: "long" (188 mm; cut out 130 mm)
or "short" (163 mm; cut out 105 mm)

Material: polyamide black

Profile half cylinder: 40 mm
45 mm

Sealable: yes, bore hole in dish necessary

* Ts > 6 mm -12 mm on request



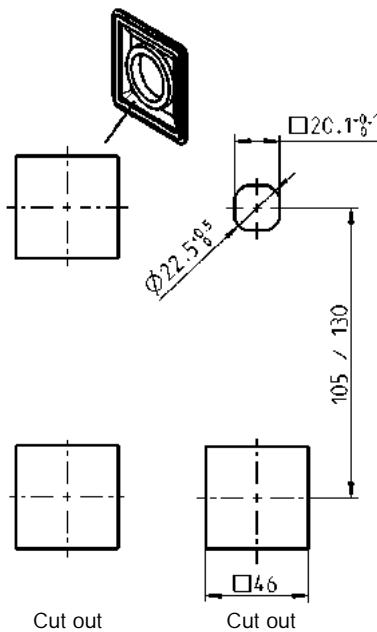
Attention:

If the adapter plate or the adapter ring is used, the maximum door gauge (Ts) is 6 mm (with cut out version A and C)

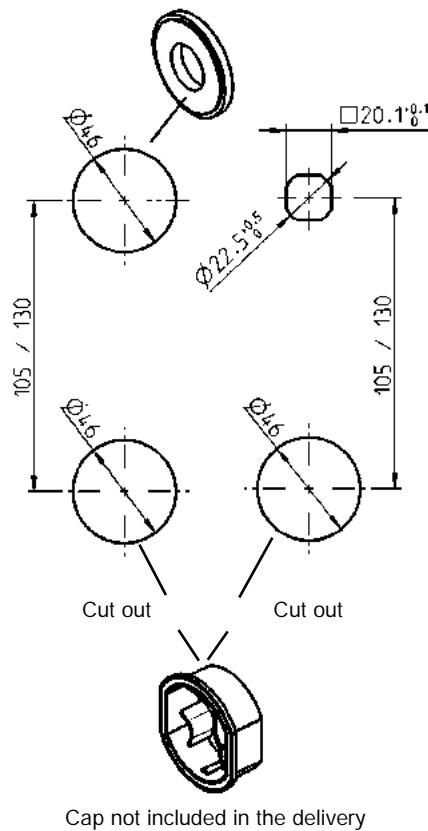
Note:

If door gauge (Ts) > 4 mm standard round rods cannot be used!

Version A **Version B**
Adapter plate is included in the delivery



Version C **Version D**
Adapter ring not included in the delivery



New defined standards

- ergonomic surface feel
- variable locking options
- integrated scratch protection prevents surface damage (handle / dish).

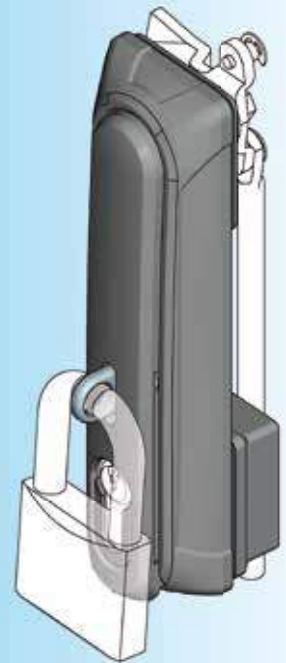
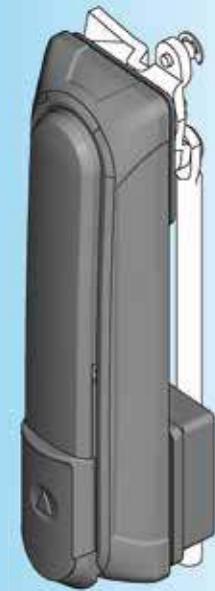
Swing handle "long" or "short"
handle polyamide GF black; dish polyamide GF black;
cylinder cover polyamide GF black (not for swing handle for padlock);
shaft brass and POM GF black;
padlock shackle AISI 316 (for swing handle for padlock);
cap polyamide GF V0 black;
adapter plate polyamide GF V0 black for cut out Version A;
fixing material m.s. zinc plated; with seal

	without locking system ❶	with locking set for profile half cylinder ❷	
		40 mm (A = 30 mm)	45 mm (A = 35 mm)
❶ (please order locking system separately)			
❷ (in case of profile half cylinder, the locking cam has to be set at 90°)			
Swinghandle "long"	1317-U421	1317-U421-01	1317-U423-01
Swing handle "long" for padlock	1317-U426	1317-U426-01	on request
Swinghandle "short"	1317-U401	1317-U401-01	1317-U403-01
Swing handle "short" for padlock	1317-U406	1317-U406-01	on request

needed for cut out C and D

Adapter ring polyamid GF V0 black	1107-53
Cap polyamid V0 black	1107-11-03AA

* Order screw set separately if Ts = 4-12 mm 1107-U170



Locking set for different key systems (see catalogue page 3BA-220)

Further parts see page

- Profile half cylinder 3XB-120
- Locking set 3XC-120
- Cams 3YC-120
- 3-point cam 3YC-180

Double cylinder swinghandle with RC2

PROGRAM 1317

Double cylinder-swinghandle

Resistance class: RC2 DIN EN 1630, achieved by profile half-cylinder according to DIN EN 18252-BZ or DIN EN 1303 with resistance class 2 with protection against drilling and pulling. The profile half-cylinder should be certified and monitored by PIV CERT or alternatively by a certifying body according to DIN EN ISO/IEC 17065.

Size: "long" (189.5 mm; cut out 130 mm)
or "short" (164.5 mm; cut out 105 mm)

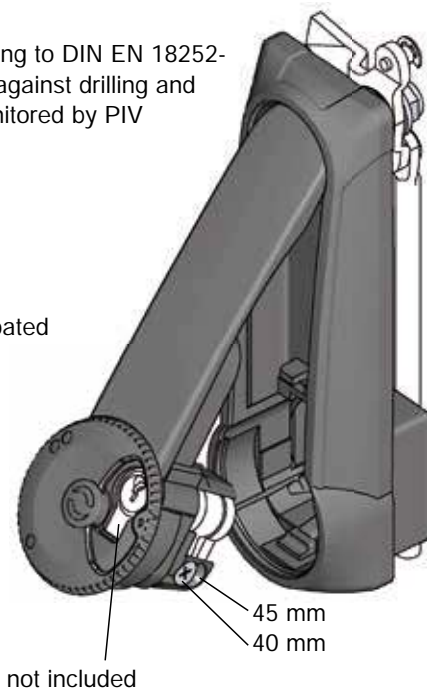
Material: Zinc die black powder coated
or Zinc die grey powder coated (RAL 7038) and anti-graffiti coated
or Polyamide black
or Polyamide GF grey (RAL 7038)
or Polyamide anti-graffiti coated on request

RC2: Swinghandle from zinc die

Profile half cylinder: 40 mm and 45 mm; adjust locking cam on 6 o'clock.
Profile half cylinder on the right hand also possible on 5 o'clock.

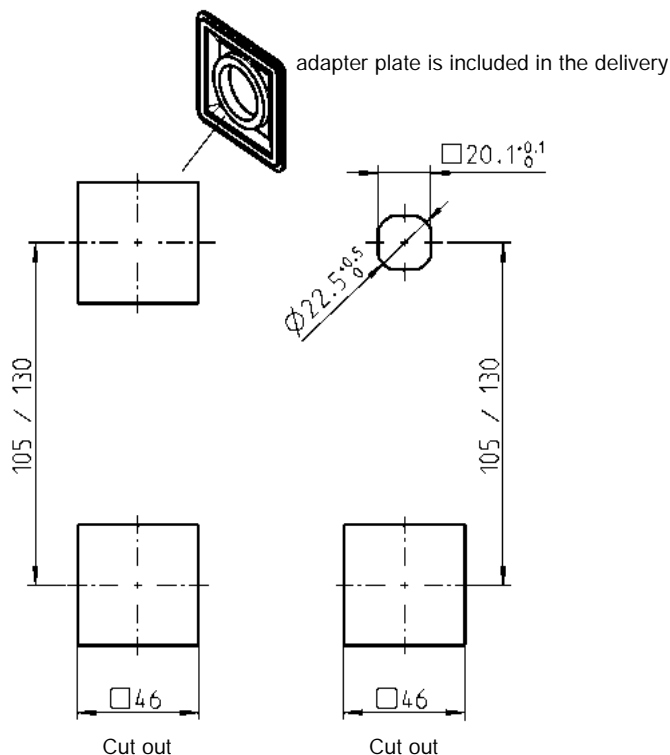
key removable: always removable or when the handle is put in

Sealable: yes, hole $\varnothing 2$ mm in the handle is necessary

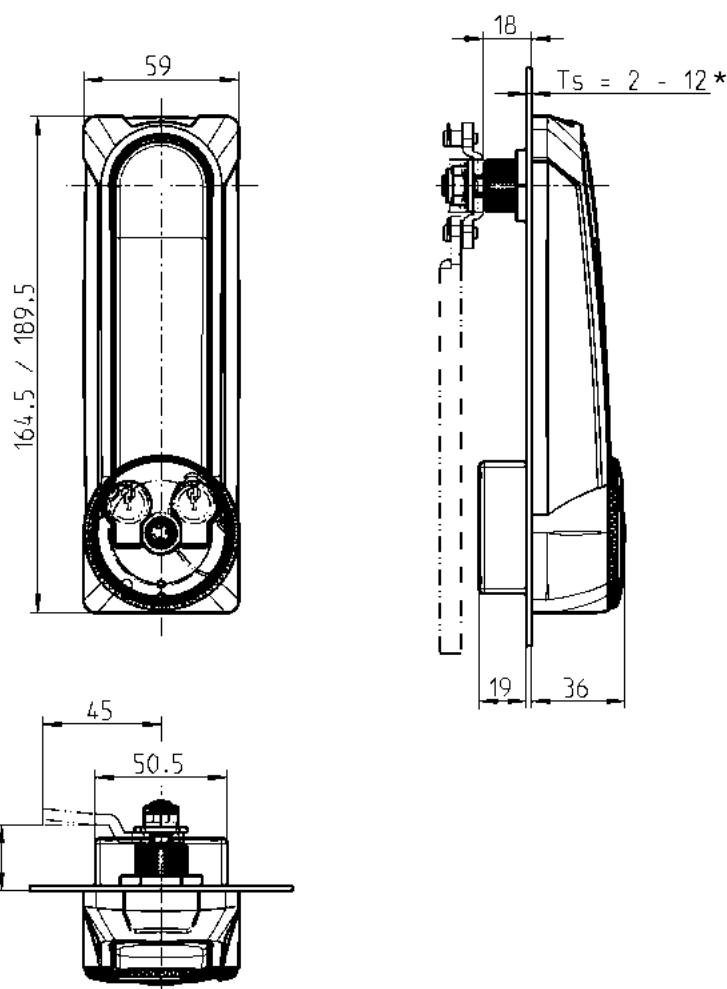


Version A

Version B



* $T_s > 6$ mm -12 mm on request



Product benefits

- Zinc die type fulfills the requirements of resistance level RC2 (protection against vandalism) according to DIN EN 1630
- great flexibility regarding price-performance ratio due to variety of types
- tested and approved by Deutsche Telekom

Attention:

With use of an adapter plate the maximum door gauge (T_s) is 6 mm.

Note:

The use of circular standard rod is not possible with a door gauge (T_s) > 6 mm!

New defined standards

The swinghandle successfully passed the test in accordance with RC2 DIN EN 1630
The protection level test IK 10 following the DIN EN 50102 was passed successfully with the swinghandles from zinc die.
Integrated scratch protection prevents surface damage (handle / dish)



Swing handle "long" or "short" dish and handle type as requested;
shaft brass or brass and POM GF black;
cylinder cover zinc die black powder coated or grey powder coated (RAL 7038);
cap zinc die black powder coated or polyamide GF V0 black;
adapter plate Polyamide GF V0 black for cut out version A;
fixing material m.s. zinc die; with seal and spring

Swinghandle "long" (189.5)

Version of choice:

1. Zinc die black powder coated; cap zinc die black powder coated; shaft brass
2. Polyamide GF black; cap polyamide GF V0 black; shaft brass and POM GF black

1. Zinc die (RC2); key always removable	1317-U221
1. Zinc die (RC2); key removable when the handle is put in	1317-U222
2. Polyamide; key always removable	1317-U321
2. Polyamide; key removable when the handle is put in	1317-U322

Swinghandle "long" (189.5)

Version of choice:

1. Zinc die grey powder coated (RAL 7038) and anti-graffiti coated; cap zinc die black powder coated; shaft brass
2. Polyamide GF grey (RAL 7038); cap polyamide GF V0 black; shaft m.s. zinc plated

1. Zinc die (RC2); key always removable	1317-U221-HJ
1. Zinc die (RC2); key removable when the handle is put in	1317-U222-HJ
2. Polyamide; key always removable	1317-U321-BO
2. Polyamide; key removable when the handle is put in	1317-U322-BO

Swinghandle "short" (164.5)

Version of choice:

1. Zinc die black powder coated; cap zinc die black powder coated; shaft brass
2. Polyamide GF black; cap polyamide GF V0 black; shaft brass and POM GF black

1. Zinc die (RC2); key always removable	1317-U201
1. Zinc die (RC2); key removable when the handle is put in	1317-U202
2. Polyamide; key always removable	1317-U301
2. Polyamide; key removable when the handle is put in	1317-U302

Swinghandle "short" (164.5)

Version of choice:

1. Zinc die grey powder coated (RAL 7038) and anti-graffiti coated; cap zinc die black powder coated; shaft brass
2. Polyamide GF grey (RAL 7038); cap polyamide GF V0 black; shaft brass and POM GF black

1. Zinc die (RC2); key always removable	1317-U201-HJ
1. Zinc die (RC2); key removable when the handle is put in	1317-U202-HJ
2. Polyamide; key always removable	1317-U301-BO
2. Polyamide; key removable when the handle is put in	1317-U302-BO

Construction key polyamide black

1004-44-01AA



Further parts see page

- Cam 3YC-120
- 3-point cam 3YC-180
- Profile half cylinder 3XB-220

Swinghandle for rod control

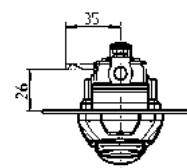
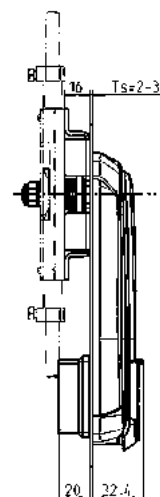
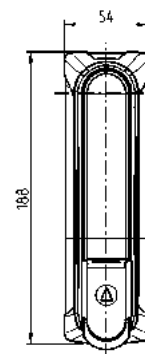
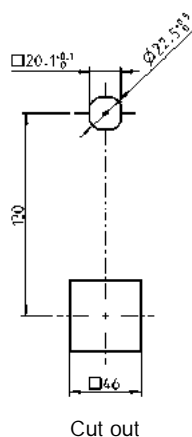
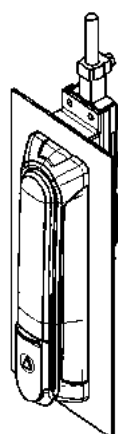


Info

1 Quarter turns

2 Rod controls

3 Locking systems



Swing handle 'long' with modular locking system
handle and escutcheon polyamide GF black; cylinder cover polyamide GF black;
shaft brass; cap polyamide GF V0 black;
locking set for profile half cylinder; with seal

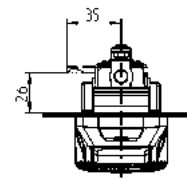
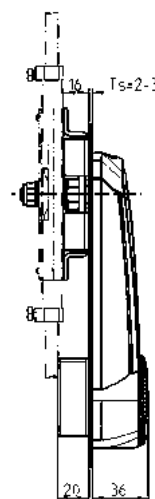
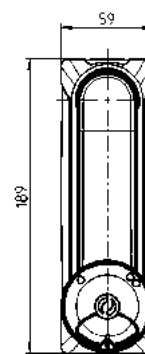
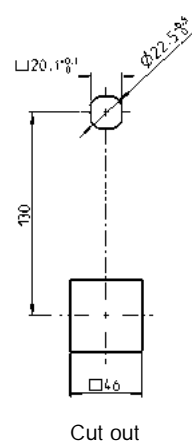
1317-U421-02

Support m.s. zinc plated

1001-50



Double cylinder-swinghandle for rod control



Swing handle 'long'
handle and escutcheon polyamide GF black; cylinder cover zinc die black powder coated;
shaft brass; cap polyamide GF V0 black;
fixing material m.s. zinc die; with seal and spring

1317-U321-01

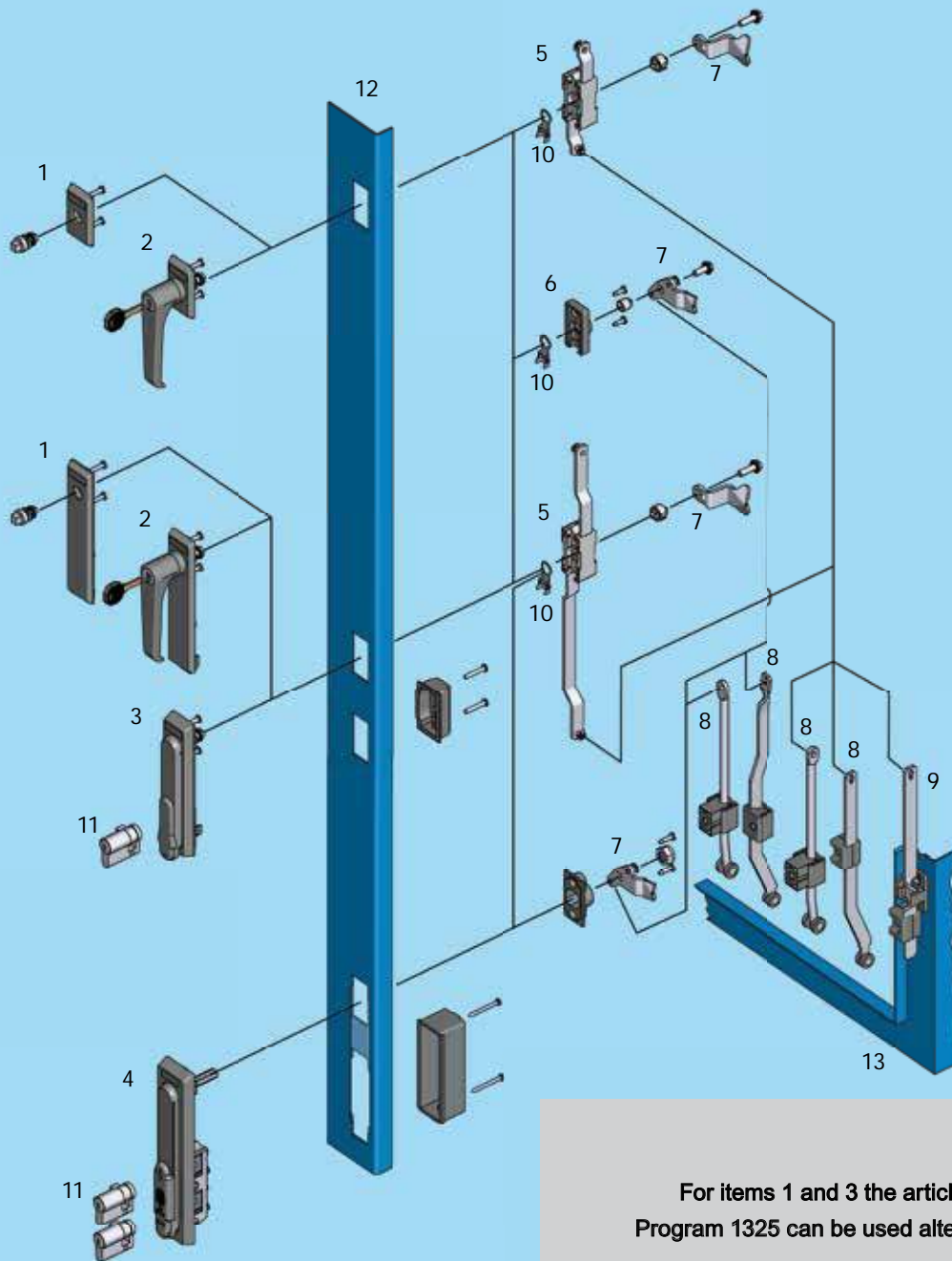
Support m.s. zinc plated

1001-50

Further parts see page

- Rod control 2B-130
- 2B-135
- Profile half cylinder 3XB-120
- Locking set 3XC-120

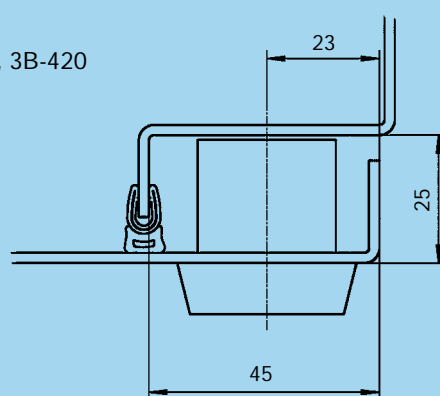
Swinghandle and escutcheon Program 1125



For items 1 and 3 the articles of Program 1325 can be used alternatively.

- 1 Escutcheon 1121 with insert
- 2 Escutcheon 1123 with handle
- 3 Swinghandle
- 4 Swinghandle (double cylinder)
- 5 Rod control
- 6 Bearing bush
- 7 Cam
- 8 Rod (inside the gasketing)
- 9 Rod (outside the gasketing)
- 10 Earthing device
- 11 Profile half cylinder
- 12 Door
- 13 Cabinet/frame

- 3B-120
- 3B-180
- 3B-220, 3B-420
- 3B-320



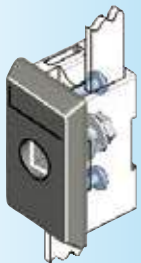
3B-100

Info

1 Quarter turns

2 Rod controls

3 Locking systems



* Logo recess: 27 x 8 x 0,5
Multicolour print possible

** in Polyamide on request

Further parts see page

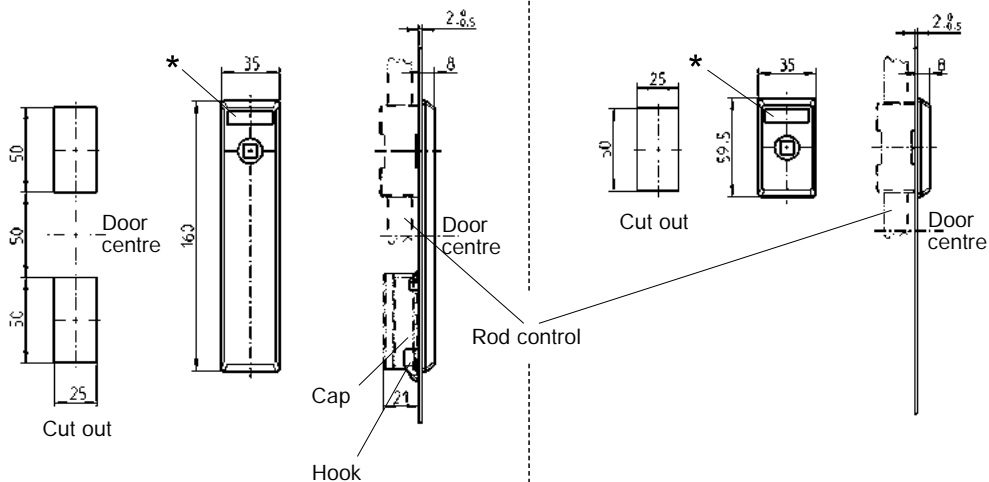
- Key 12B-120
- Rod control for long version 3YA-110
- 3YA-120
- 3YA-140
- (only with hook) 3YA-190
- Short version 3YA-115
- 3YA-160
- Bearing bush 3YB-120

Escutcheon long



STAINLESS STEEL

Escutcheon short



Escutcheon long material on choice, screws m.s. zinc plated or stainless steel, with seal

	hook IP 40	clip-in cap IP 40	screw-on cap IP 65	Escutcheon short material on choice, screws m.s. zinc plated or stainless steel with seal IP 65
polyamide black				
for square, triangular Daimler-Benz, slot	1121-U19-6	1121-U19-N6	1121-U133-6	1121-U22-6
for double bit	1121-U20-6	1121-U20-N6	1121-U134-6	1121-U23-6
for railroad, square 9	1121-U19A-6	-	1121-U135-6	1121-U22A-6
for FIAT	1121-U63-6	1121-U63-N6	1121-U132-6	1121-U62-6
AISI 316				
for square, triangular Daimler-Benz, slot	-	-	1121-U133-6PH	1121-U22-6PH

Insert material on choice, fixing material m.s. zinc plated or stainless steel

	zinc die chrome pl.	AISI 316
Square 6	1121-U11	on request
Square 7	1121-U12	1121-U12-PH
Square 8	1121-U13	on request
Triangular 6,5 CNOMO	1121-U169	on request
Triangular 7	1121-U14	1121-U14-PH
Triangular 8	1121-U15	on request
Double bit 3**	1121-U16	1121-U16-PH
Double bit 5**	1121-U17	1121-U17-PH
Square female 8	1121-U167	on request
Daimler Benz	1121-U18	on request
Slot 2 x 4	1121-U123	on request
FIAT	1121-U24	on request
Railroad square 9	1121-U72	on request

Accessories



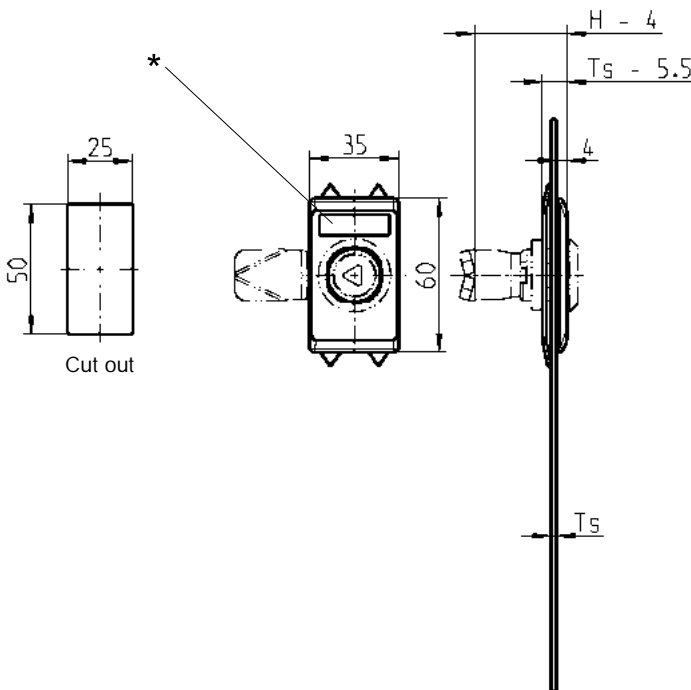
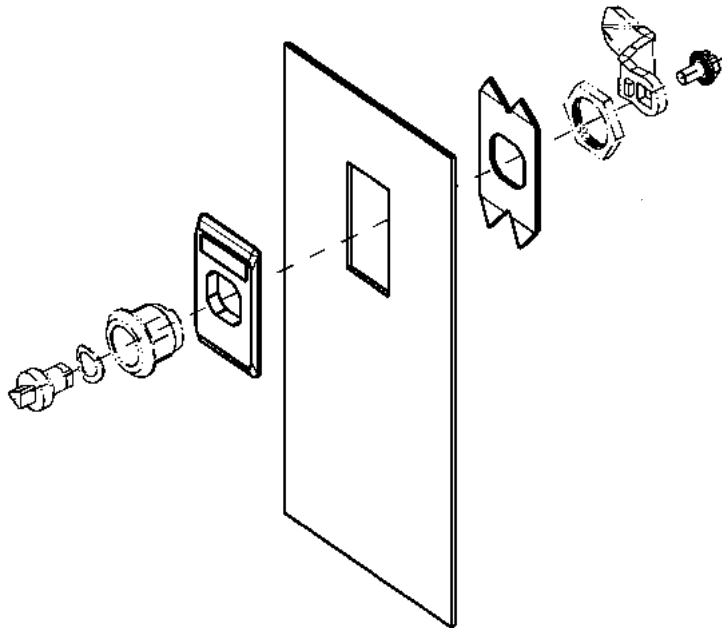
Transport safety device polyamide GF black for double bit insert

1121-32

Escutcheon for quarterturn, program 1000

PROGRAM 1125

Beschlagteile



* Logo recess: 27 x 8 x 0,5
Multicolour print possible

Attention:
H-dimension of cam is 4 mm less, TS is 5,5 mm less

Note:
IP 65 will be achieved by quarter turn with IP 65 protection

Further parts see page

- Quarter turn
- 1B-120
- 1B-140
- 1B-210
- up to 1B-320
- 1B-360
- up to 1B-620
- 1B-680
- 1B-860

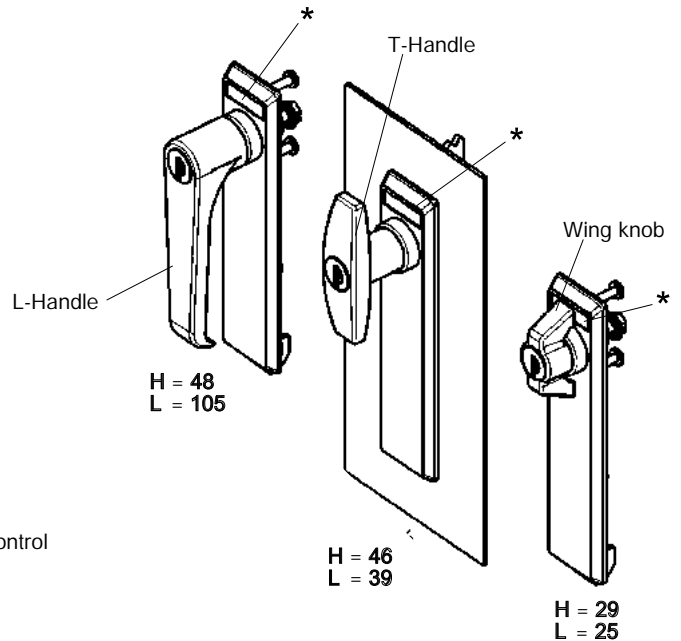
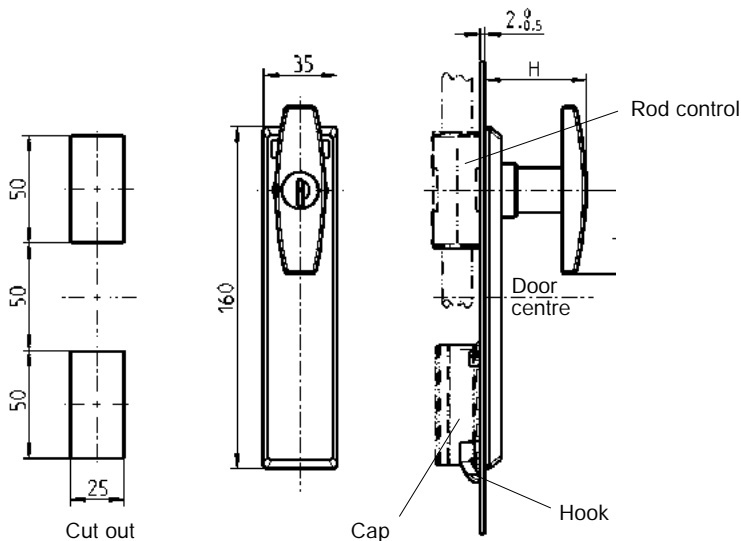
Escutcheon polyamide black, earthing plate m.s. zinc plated, with seal

1121-U168

Escutcheon 1123 with handle

PROGRAM 1125

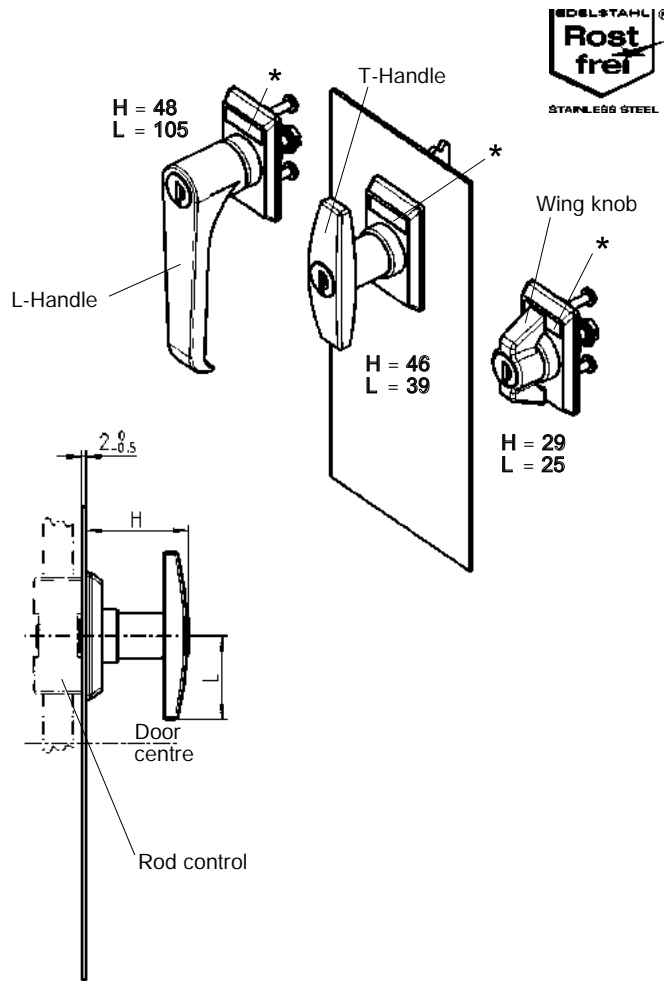
Escutcheon long



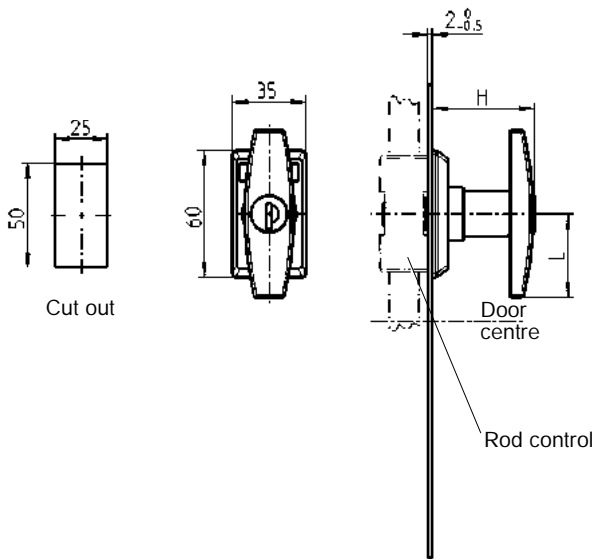
Each round cylinder has one silver steel key with polyamide grip GF black.

Escutcheon long polyamide GF black, fixing material m.s. zinc pl. or stainless steel, with seal

	hook IP 40	snap on cap IP 40	screw on cap IP 65
Wingknob zinc die black powder coated			
non locking	1123-U1-6	1123-U1-N6	1123-U25-6
keyed EK 333	1123-U2-6	1123-U2-N6	1123-U26-6
keyed different	1123-U3-6	1123-U3-N6	1123-U27-6
Wing knob AISI 316			
non locking	1123-U41-6	1123-U41-N6	1123-U42-6
T-Handle zinc die black powder coated			
non locking	1123-U7-6	1123-U7-N6	1123-U28-6
keyed EK 333	1123-U8-6	1123-U8-N6	1123-U29-6
keyed different	1123-U9-6	1123-U9-N6	1123-U30-6
prepared for KABA 1036	1123-U21-6	-	-
T-handle AISI 316			
non locking	1123-U38-6	1123-U38-N6	1123-U39-6
L-Handle zinc die black powder coated			
non locking	1123-U13-6	1123-U13-N6	1123-U31-6
keyed EK 333	1123-U14-6	1123-U14-N6	1123-U32-6
keyed different	1123-U15-6	1123-U15-N6	1123-U33-6
prepared for KABA 1036	1123-U19-6	-	-
L-handle AISI 316			
non locking	1123-U34-6	1123-U34-N6	1123-U35-6



Escutcheon short



Escutcheon short polyamide Gf black, fixing material m.s. zinc pl. or stainless steel, with seal IP 65

Wing knob zinc die black powder coated

non locking	1123-U4-6
keyed EK 333	1123-U5-6
keyed different	1123-U6-6

Wing knob AISI 316

non locking	1123-U40-6
-------------	------------

T-Handle zinc die black powder coated

non locking	1123-U10-6
keyed EK 333	1123-U11-6
keyed different	1123-U12-6
prepared for KABA 1036	1123-U22-6

T-handle AISI 316

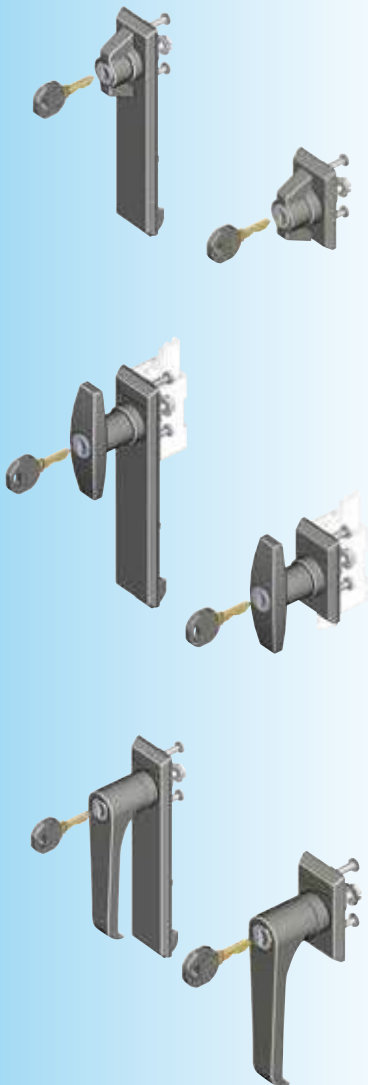
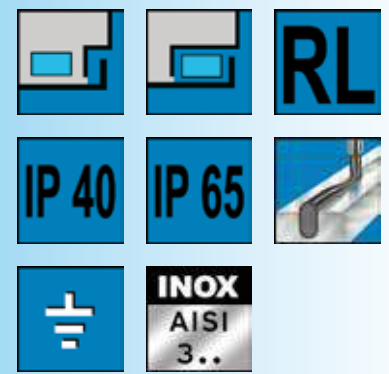
non locking	1123-U37-6
-------------	------------

L-Handle zinc die black powder coated

non locking	1123-U16-6
keyed EK 333	1123-U17-6
keyed different	1123-U18-6
prepared for KABA 1036	1123-U20-6

L-handle AISI 316

non locking	1123-U36-6
-------------	------------



* Logo recess: 27 x 8 x 0,5
Multicolour print possible

Further parts see page

- Key	12B-120
- Spare key	12B-140
- Rod control for long version	3YA-110
	3YA-120
	3YA-140
(only with hook)	3YA-190
Short version	
	3YA-115
	3YA-160
- Bearing bush	3YB-120
- Dust cap for T-Handle	1C-340

Swinghandle

PROGRAM 1125

Example:

³⁾ (21/26 mm)

Swinghandle polyamide black for profile half cylinder, shaft zinc die zinc plated, fixing material m.s. zinc plated, with seal

	snap on cap IP 40		screw on cap IP 65		hook IP 40	
	with dust cap	non dust cap	with dust cap	non dust cap	with dust cap	non dust cap
for cylinder 40 mm ³⁾ (21)	1125-U191-NA	1125-U190-NA	1125-U191-A	1125-U190-A	1125-U186-A	1125-U185-A
for cylinder 45 mm ³⁾ (26)	1125-U196-NA	1125-U195-NA	1125-U196-A	1125-U195-A	1125-U194-A	1125-U193-A
insert for padlock	(only swinghandle 1125-U190-A)			1125-73	-	-
with cylinder (Berlin version)	-	-	-	-	1125-U276-A	1125-U275-A
for ASSA cylinder	-	-	1125-U198-A	-	-	-

Swinghandle for profile half cylinder zinc die black powder coated, cap polyamide black, with seal

for cylinder 40 mm ³⁾ (21)	-	-	1125-U191-AQA	on request	-	-
---------------------------------------	---	---	---------------	------------	---	---

Swing handle for profile half cylinder AISI 316, shaft AISI 303, cap polyamide black, with seal (IP 66)

for cylinder 40 mm ³⁾ (21)	-	-	1125-U191-APH	on request	-	-
---------------------------------------	---	---	---------------	------------	---	---

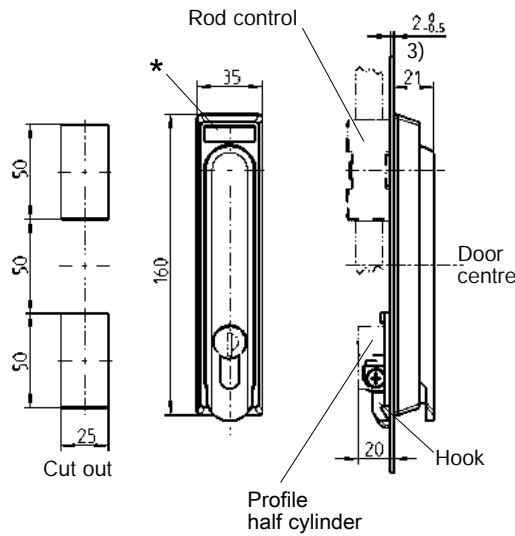
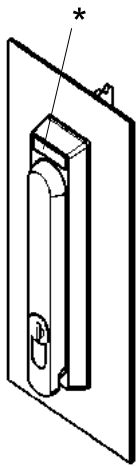
Swinghandle polyamide GF black with insert double bit, zinc die chrome plated, shaft zinc die zinc plated, fixing material m.s. zinc plated, with seal

	snap on cap IP 40	screw on cap IP 65
Double bit 3 (Key 1004-05) ^{1) 2)}	1125-U236-NA	1125-U236-A
Double bit 5 (Key 1004-06) ^{1) 2)}	1125-U239-NA	1125-U239-A

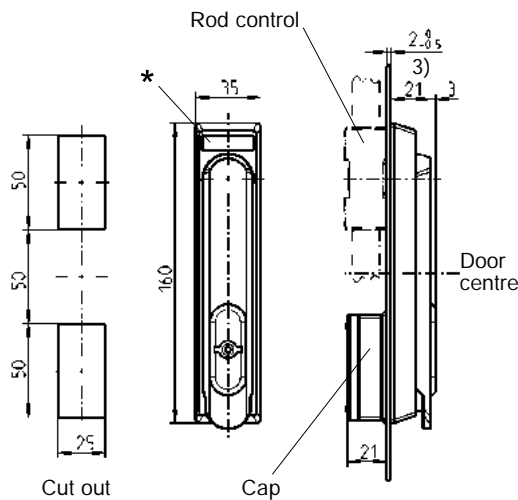
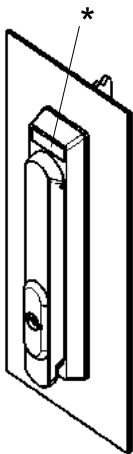
Swinghandle polyamide GF black, with round cylinder incl. stainless steel cap and shutter or insert m.s. zinc plated, shaft zinc die chrome plated, fixing material m.s. zinc plated, with seal. Each round cylinder with one key silver steel with black polyamide GF grip

	snap on cap IP 40		screw on cap IP 65		hook IP 40
	with dust cap	non dust cap	with dust cap	non dust cap	non dust cap
round cylinder keyed EK 333	1125-U206-NA	1125-U202-NA	1125-U206-A	1125-U202-A	1125-U268-A
round cylinder keyed different	1125-U207-NA	1125-U203-NA	1125-U207-A	1125-U203-A	1125-U269-A
Square 6 ¹⁾	1125-U242-NA	1125-U210-NA	1125-U242-A	1125-U210-A	on request
Square 7 ^{1) 2)}	1125-U243-NA	1125-U211-NA	1125-U243-A	1125-U211-A	on request
Square 8 ^{1) 2)}	1125-U244-NA	1125-U212-NA	1125-U244-A	1125-U212-A	on request
Square 8 slotted	1125-U245-NA	1125-U213-NA	1125-U245-A	1125-U213-A	on request
Triangular 6,5 CNOMO	1125-U246-NA	1125-U214-NA	1125-U246-A	1125-U214-A	on request
Triangular 7 ¹⁾	1125-U247-NA	1125-U215-NA	1125-U247-A	1125-U215-A	on request
Triangular 8 ^{1) 2)}	1125-U248-NA	1125-U216-NA	1125-U248-A	1125-U216-A	on request
Triangular 9	1125-U249-NA	1125-U217-NA	1125-U249-A	1125-U217-A	on request
Triangular 10	1125-U250-NA	1125-U218-NA	1125-U250-A	1125-U218-A	on request
Hexagon female 10 SW 10	1125-U251-NA	1125-U219-NA	1125-U251-A	1125-U219-A	on request
Female Square 6	1125-U252-NA	1125-U220-NA	1125-U252-A	1125-U220-A	on request
Female Square 8	1125-U253-NA	1125-U221-NA	1125-U253-A	1125-U221-A	on request
Daimler Benz	1125-U254-NA	1125-U222-NA	1125-U254-A	1125-U222-A	on request
Slot 1,2 x 3	1125-U255-NA	1125-U223-NA	1125-U255-A	1125-U223-A	on request
Slot 2 x 4 ^{1) 2)}	1125-U256-NA	1125-U224-NA	1125-U256-A	1125-U224-A	on request
Crown type	1125-U257-NA	1125-U225-NA	1125-U257-A	1125-U225-A	on request
Eastern Europe Ø 13	1125-U282-NA	1125-U283-NA	1125-U282-A	1125-U283-A	on request

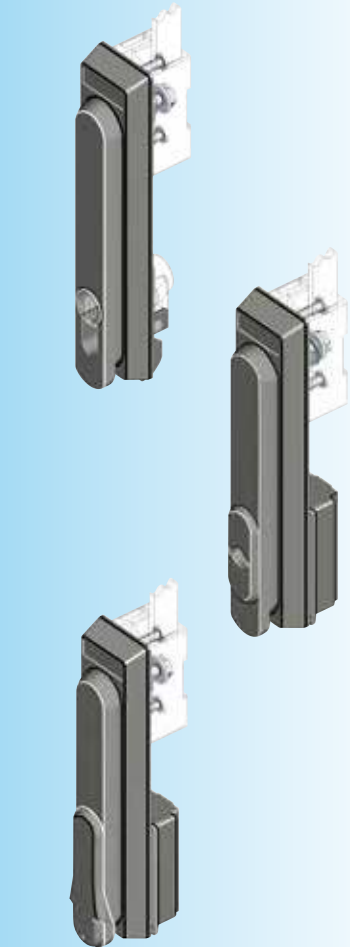
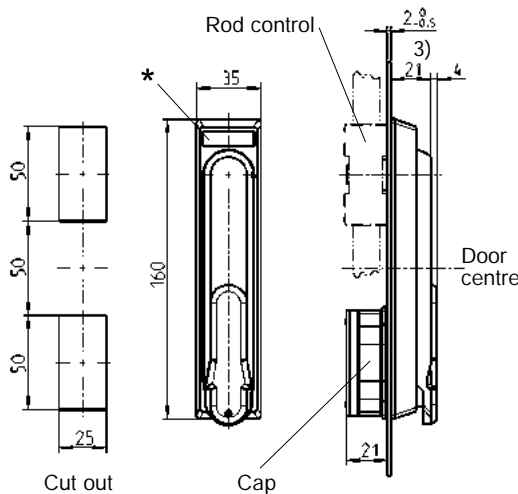
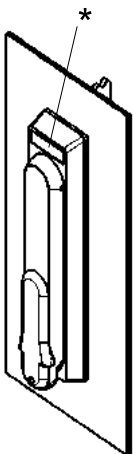
Swinghandle for profile half cylinder



Swinghandle with double bit



Swinghandle with round cylinder or insert



* Logo recess: 27 x 8 x 0,5
Multicolour print possible

Further parts see page

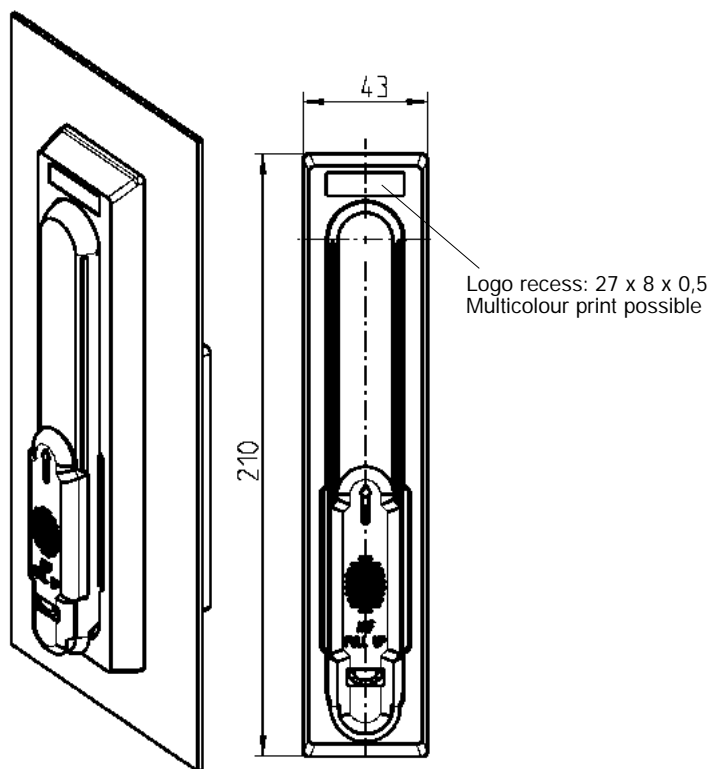
- Key 12B-120
- Rod control 3YA-110
- 3YA-120
- 3YA-140
- (only with hook) 3YA-190
- Bearing bush 3YB-120
- Profile half cylinder 3XB-120

On request insert in

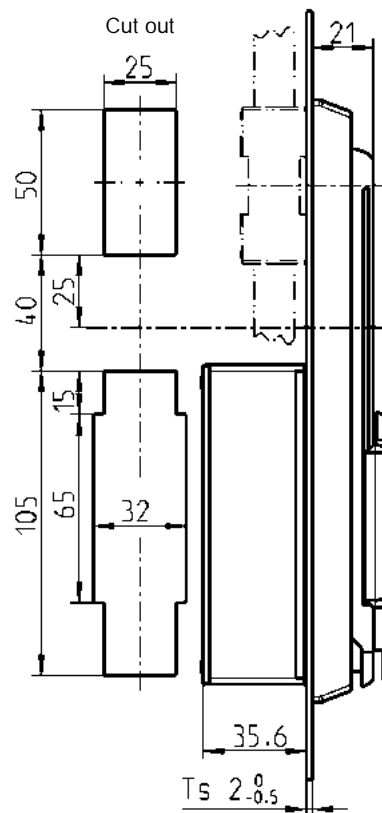
- ¹⁾ Zinc die black p.c.
- ²⁾ polyamide black
- Cap without foamed seal for small bending area on request
- EMC-version

Swinghandle PROGRAM 1125

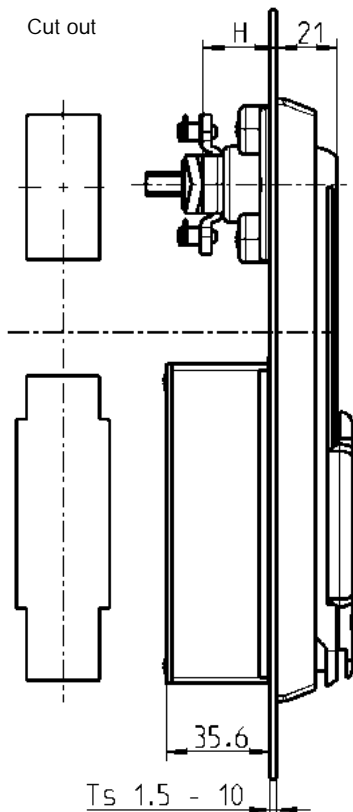
Double and single profile half cylinder swinghandle



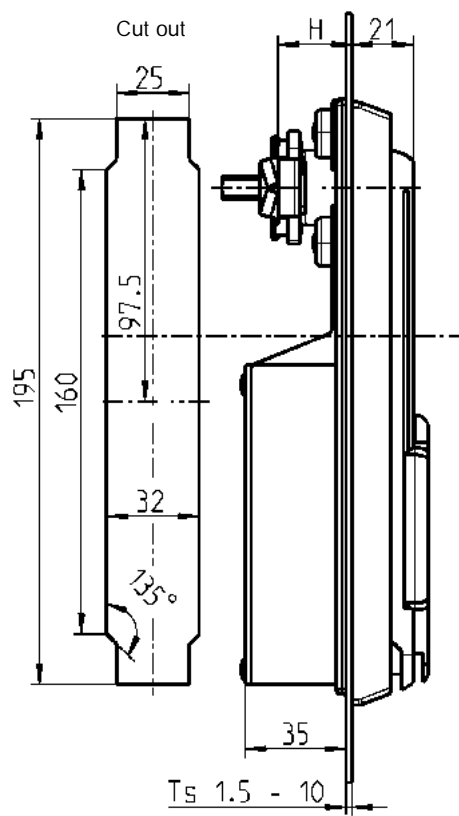
Version A

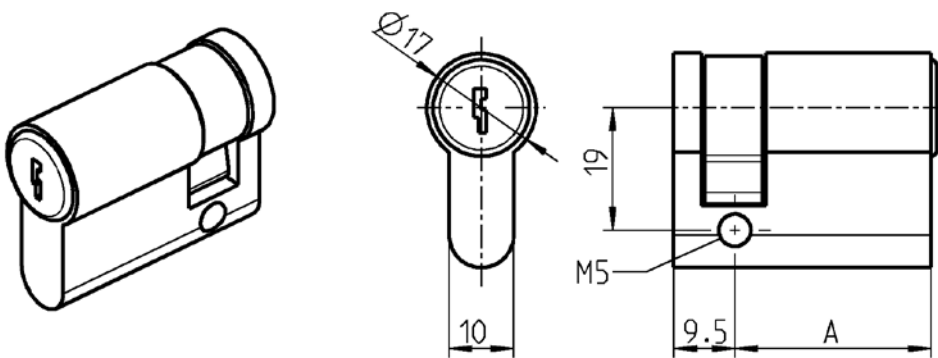


Version B



Version C

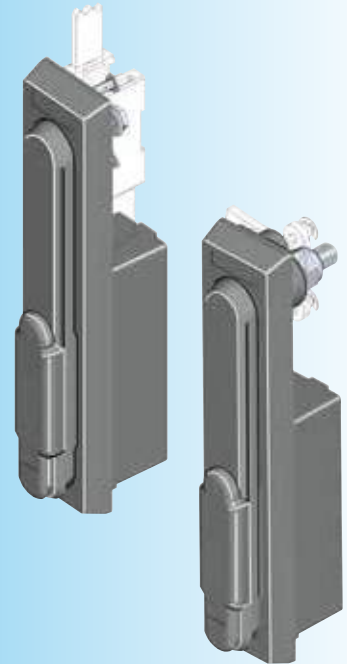




Double and single profile half cylinder swinghandle suitable for profile half cylinder with A = 30 and 35.



Earthing with version A possible!



Swinghandle profile half cylinder, polyamide GF black, shaft brass, interlock zinc die, spring zinc plated. fixing material m.s. zinc plated or stainless steel, with seal

Version A for rod control

Double cylinder-swinghandle with one-key operation Key always removable	1125-U51-A
Single cylinder-swinghandle Key always removable	1125-U55-A
Double cylinder-swinghandle with one-key operation Key removable when the handle is put in	1125-U53-A

Version B with bearing bush

Double cylinder-swinghandle with one-key operation Key always removable	1125-U57-A
Single cylinder-swinghandle Key always removable	1125-U58-A
Double cylinder-swinghandle with one-key operation Key removable when the handle is put in	1125-U56-A
Double cylinder-swinghandle with 2-key operation Key removable when the handle is put in	1125-U289

Version C with bearing bush

Double cylinder-swinghandle with one-key operation Key always removable	1125-U60-A
Single cylinder-swinghandle Key always removable	1125-U61-A
Double cylinder-swinghandle with one-key operation Key removable when the handle is put in	1125-U59-A

One-key operation

Handle can be opened when one cylinder is unlocked. Removal of key on choice

2-key operation

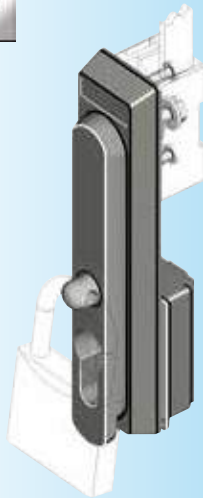
The handle can only be opened when both cylinders are unlocked.

Removal of key on choice

The 2-key operation is a RH version. For profile half cylinder A = 30.

Further parts see page

- Rod control for Version A 3YA-220
3YA-240
- Cam for Version B 3YC-120
- Rod control vor cam for version B 3YC-180
- Cam for Version C 3YC-140
(H = 25 + Ts = 2)
- Profile half cylinder 3XB-220



Further parts see page

- Bearing bush 3YB-120
- Rod control 3YA-110
- 3YA-120
- 3YA-140
- Profile half cylinder 3XB-120

* Logo recess: 27 x 8 x 0.5
Multicolour pad print possible

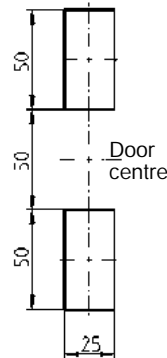
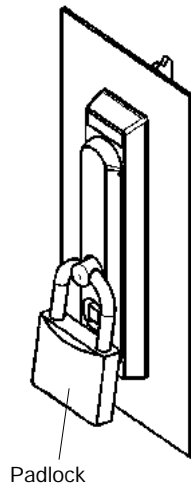


Note:
CNOMO swinghandle can only be used outside the gasketing!

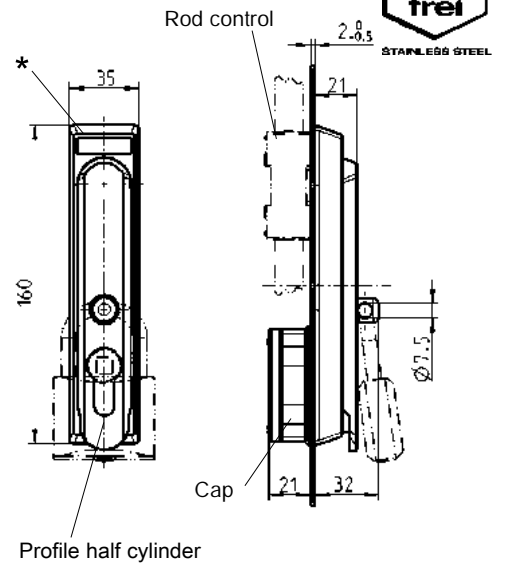
Further parts see page

- Rod control 3YA-110
- 3YA-120
- Profile half cylinder 3XB-120

Swinghandle for padlock



Cut out



Profile half cylinder

Swing handle for 40 mm profile half cylinder polyamide GF black; shaft zinc die zinc plated; padlock shackle AISI 303; fixing material m.s. zinc die; with seal

1125-U184-A

Swing handle for 40 mm profile half cylinder AISI 316; shaft and padlock shackle AISI 303; cap polyamide black, with seal

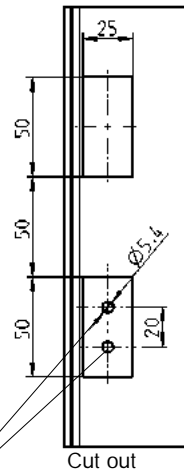
1125-U184-APH

Ford-Version realised by

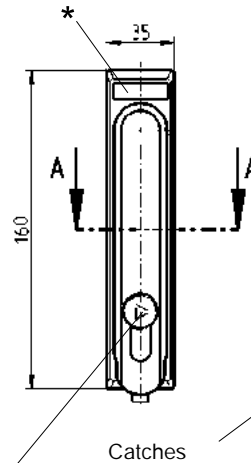
profile half cylinder (square 7 mm)

1109-U5-N

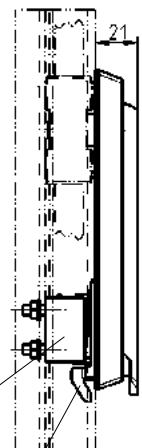
Swinghandle for CNOMO



Cut out



Catches



Catch plate

Holes symetrical to swing handle cut out

CNOMO standard Typ1 realised by snap cylinder (triangular 6.5)
1109-U17-NC

Handle is spring loaded and can only be locked if the door is completely closed.

Swing handle for 40 mm profile half cylinder polyamide GF black; catch and shaft zinc die zinc plated; fixing m.s. zinc plated

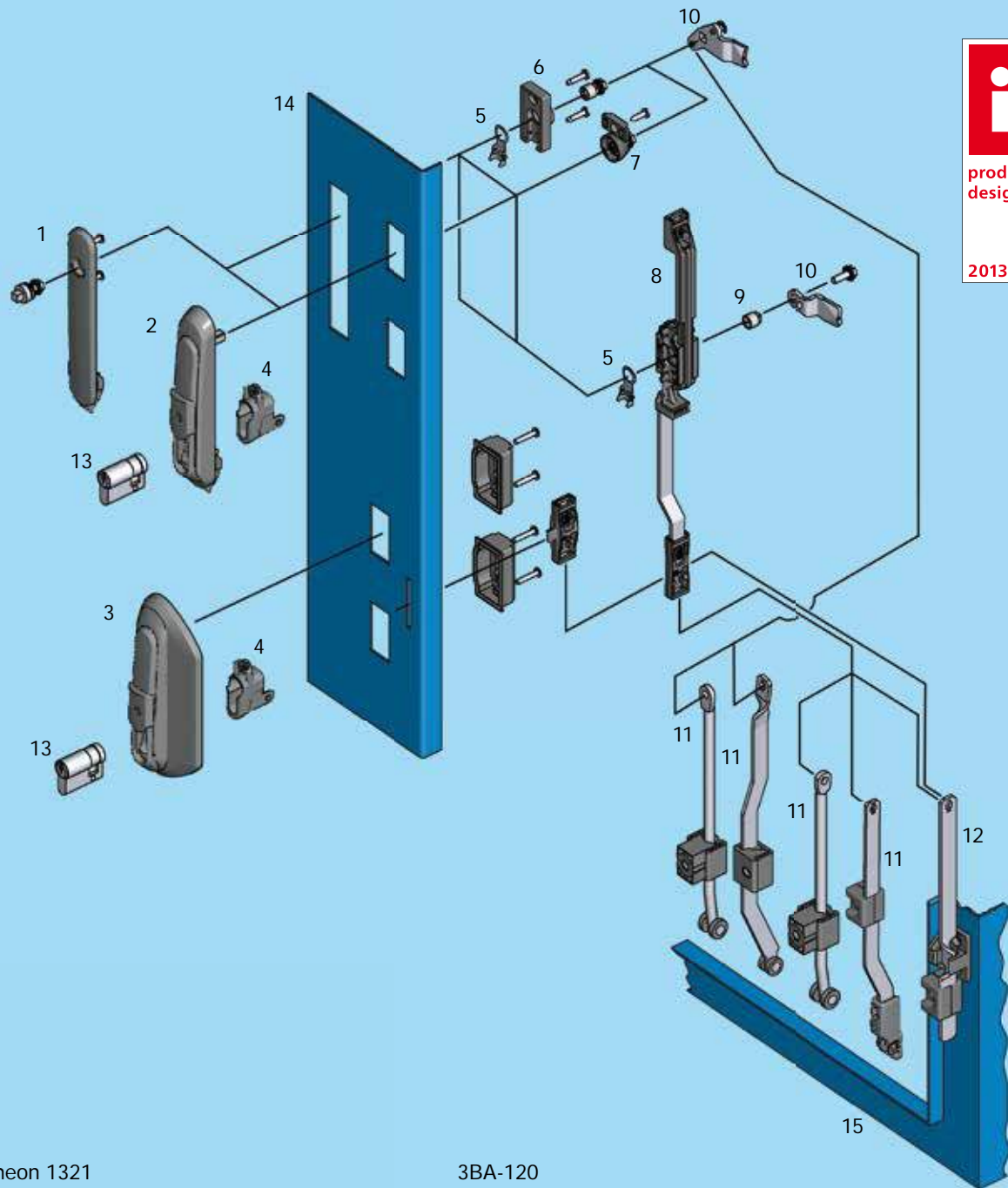
without dust cap

1125-U200-A

with dust cap

1125-U201-A

Swing handle and escutcheon Program 1325

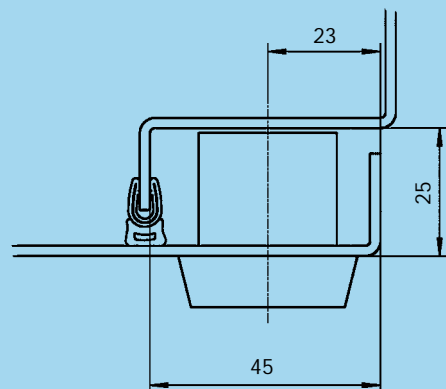


product
design award

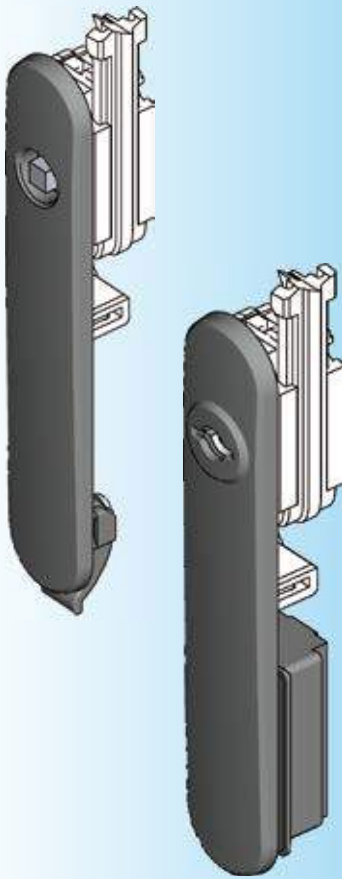
2013

- 1 Escutcheon 1321
- 2 Swinghandle
- 3 Swing handle for narrow door return
- 4 Locking set
- 5 Earthing device
- 6 Bearing bush for escutcheon
- 7 Adapter for swing handle
- 8 Rod control
- 9 adapter
- 10 Cam
- 11 Rod (inside the gasketing)
- 12 Rod (outside the gasketing)
- 13 Locking options, e.g. profile half cylinder
- 14 Door
- 15 Cabinet/frame

- 3BA-120
- 3BA-220
- 3BA-320



3BA-100



Multicolour print possible

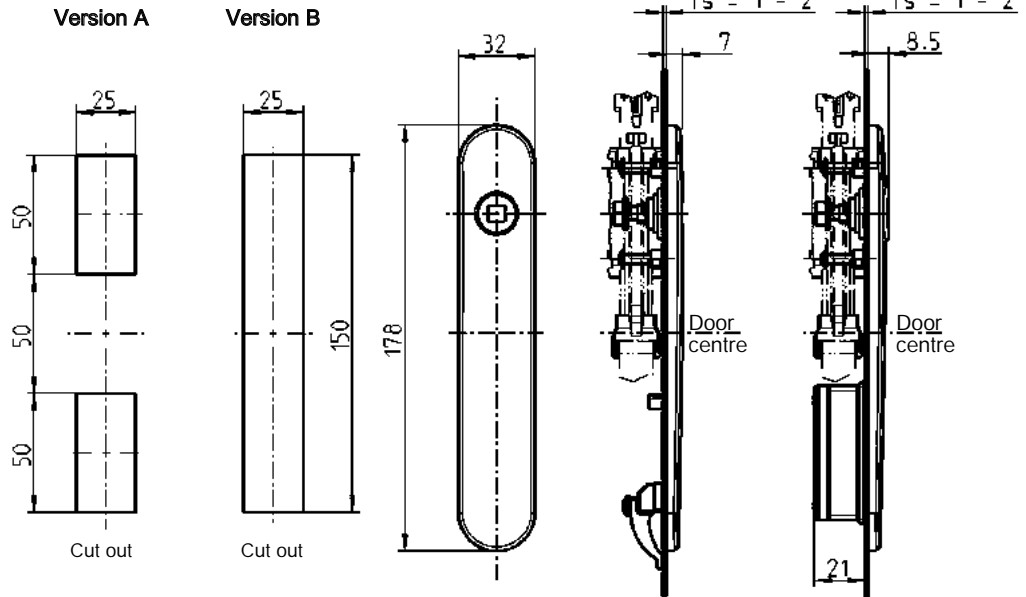
** in Polyamide on request

Further parts see page

- Key 12B-120
- Rod control 3YA-110
- 3YA-120
- 3YA-140
- (only with hook and cut out version A) 3YA-190
- Bearing bush 3YB-120

for square, triangular, Daimler-Benz, slot

for double bit



Examples of combinations

Escutcheon polyamide GF black; hook or cap polyamide GF black; zinc plated screws

	Hook; IP 40	Cap; IP 65 with cut out version A
for square, triangular, Daimler-Benz, slot	1321-U1	1321-U3
for double bit	1321-U2	1321-U4
for railroad square 9	on request	on request
for FIAT	on request	on request

Insert zinc die chrome plated; fixing material m.s. zinc plated

Square 6	1121-U11
Square 7	1121-U12
Square 8	1121-U13
Triangular 6,5 CNOMO	1121-U169
Triangular 7	1121-U14
Triangular 8	1121-U15
Double bit 3 **	1121-U16
Double bit 5 **	1121-U17
Square female 8	1121-U167
Daimler Benz	1121-U18
Slot 2 x 4	1121-U123
FIAT	1121-U24
Railroad square 9	1121-U72

Accessories



Transport safety device polyamide GF black for double bit insert

1121-32

Swing handle short with variable use of locking set

PROGRAM 1325

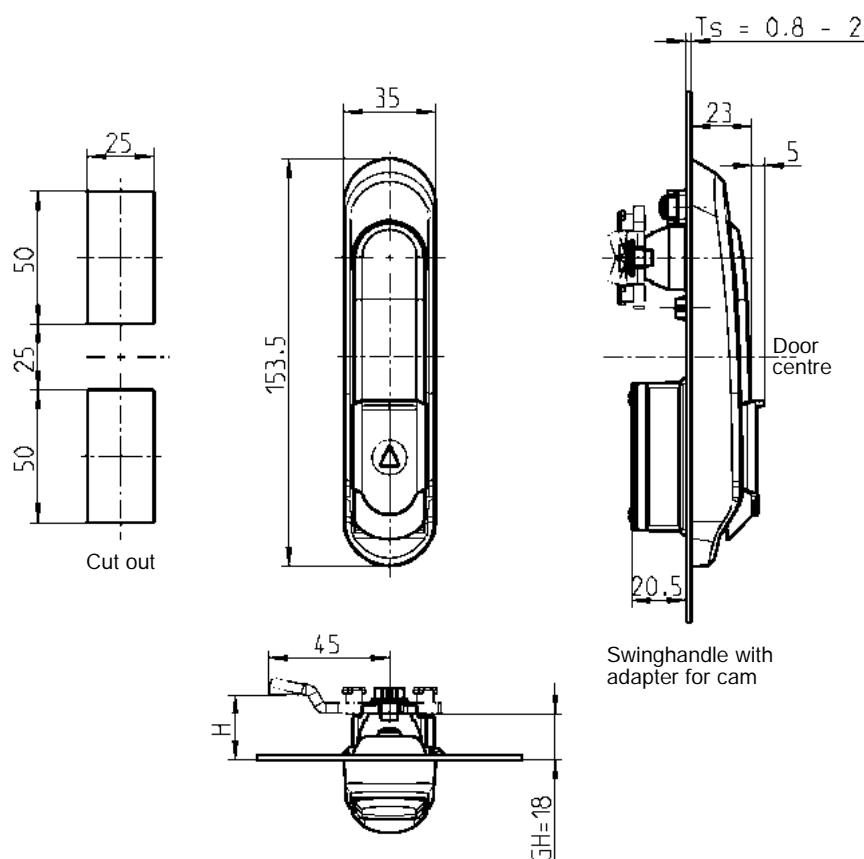
Beschlagteile



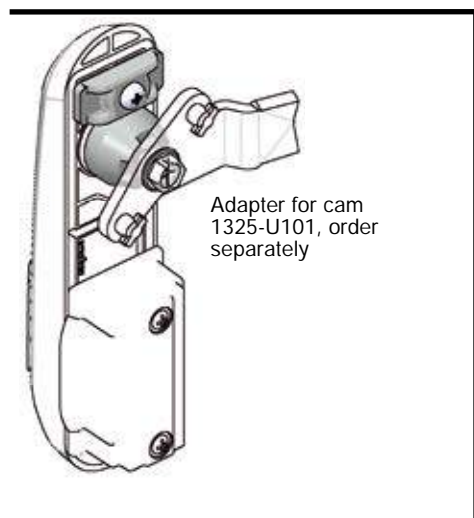
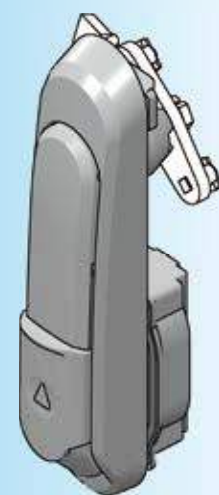
IP 65



RL



Swinghandle with adapter for cam



Adapter for cam 1325-U101, order separately

Product benefits

- flat design (23 mm + 5 mm dust protection slider)
- pre-assembled swinghandle and escutcheon
- locking systems can be exchanged easily
- spring-mounted handle
- Plastic parts protruding into the cabinet are of low flammability (PA 6 GF 30 V0)
- patented

Rod control on request

Swinghandle
Handle and escutcheon polyamide GF black;
cylinder cover polyamide GF black;
shaft zinc die zinc plated;
circlip m.s. zinc plated;
cap polyamide GF black;
fixing material m.s. zinc plated;
with spring and seal

(please order locking set separately)	without locking set
Swing handle with cap ; IP 65	1325-U22
Adapter for cam PBT GF V0 black; bridge bar polyamide GF V0 black; fixing material m.s. zinc plated	
	1325-U101

Multicolour print possible

Swing handle without cylinder cover on request

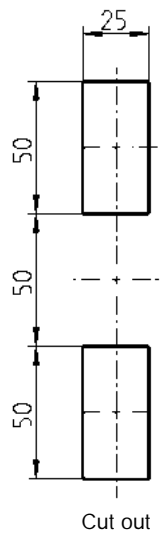
Further parts see page

- Locking set 3XC-120
- Cams (for adapter) 3YC-120
- Rod control on request
- Cam for rod control (2-point latch system) 3YA-840

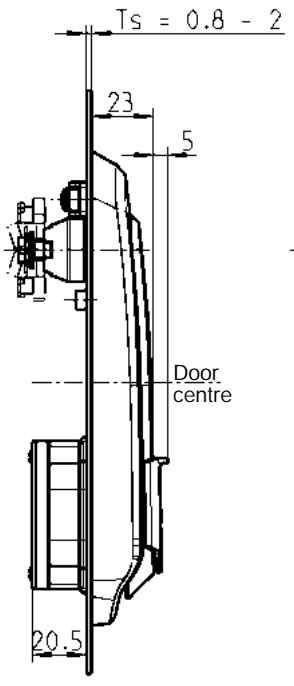
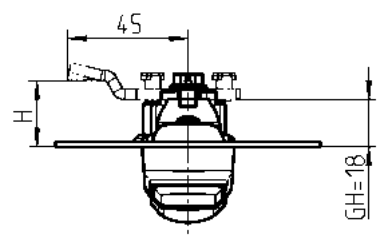
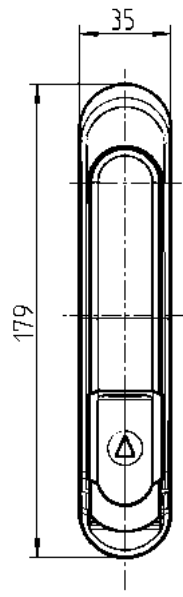
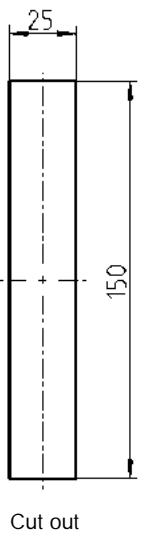
Swinghandle with variable use of locking

PROGRAM 1325

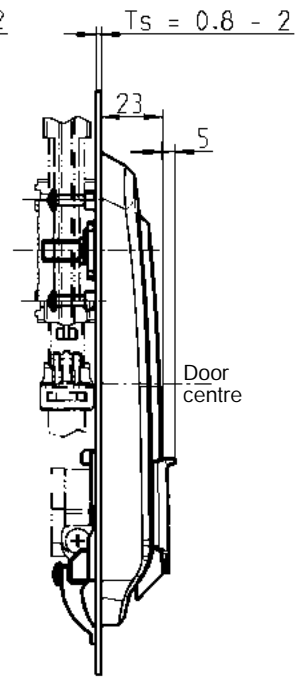
Version A



Version B



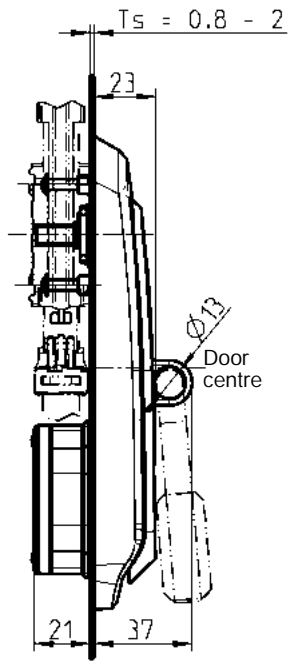
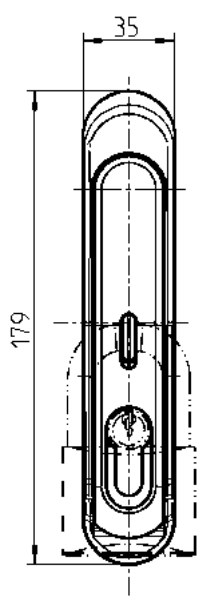
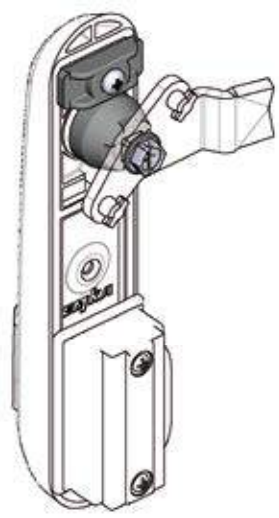
Swing handle with cap adapter for cam



Swing handle with hook for rod control

Examples of combinations

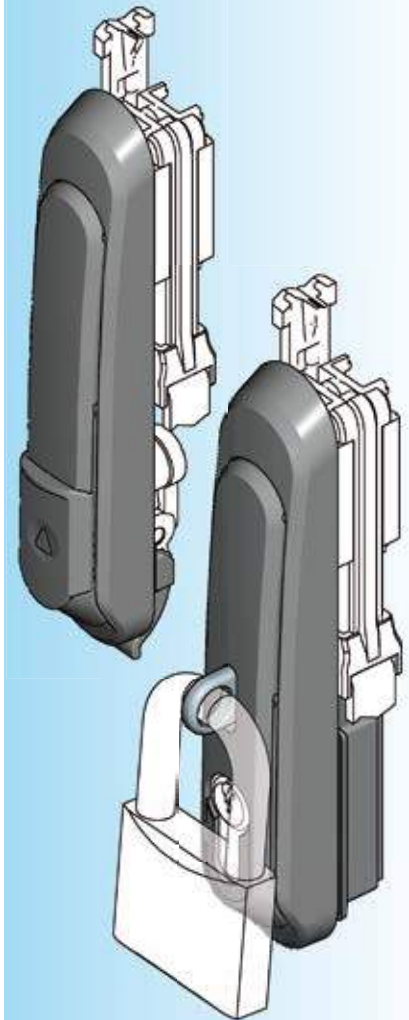
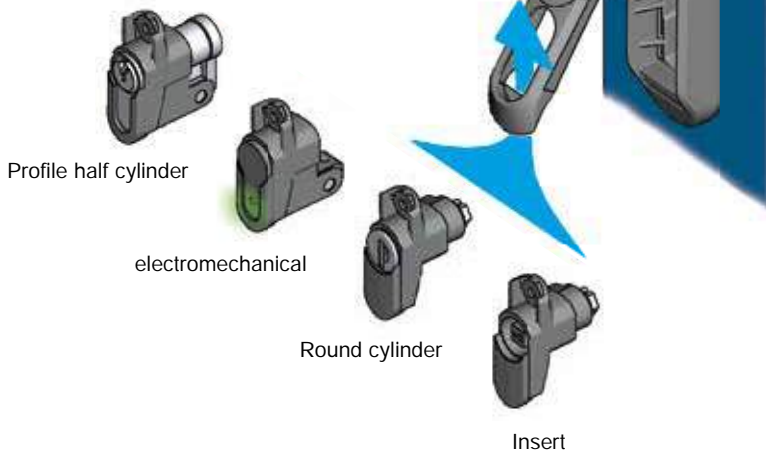
Adapter for cam 1325-U101, order separately



Swing handle with cap and for padlock and for rod control



Unit for different locking sets



Product benefits

- flat housing (23 mm + 5 mm dust protection slider)
- IP 65 when fixed with cap, IP 40 when fixed with hook
- for standard cutout
- pre-assembled swinghandle and escutcheon
- locking systems can be exchanged easily
- spring-mounted handle
- Plastic parts protruding into the cabinet are of low flammability (PA 6 GF 30 V0)
- patented

Swing handle for rod control
handle and dish polyamide GF black;
cylinder cover polyamide GF black (not for swing handle for padlock);
shaft zinc die zinc plated; circlip m.s. zinc plated;
hook or cap polyamide GF black; padlock device AISI 316;
fixing material m.s. zinc plated; with spring and seal

(¹) (please order locking set separately)	without locking set ⁽¹⁾	with locking set for profile half cylinder 40 mm (A = 30 mm) ⁽³⁾
(²) (with cut out version A)		
(³) (In case of profile half cylinder the locking cam has to be at 90°)		
Swing handle with hook; IP 40	1325-U1	1325-U1-01
Swinghandle with cap; IP 65 ⁽²⁾	1325-U2	1325-U2-01
Swing handle with hook and for padlock; IP 40	1325-U3	1325-U3-01
Swinghandle with cap and for padlock; IP 65 ⁽²⁾	1325-U4	1325-U4-01

Adapter for cam PBT GF V0 black; bridge bar polyamide GF V0 black;
fixing material m.s. zinc plated

1325-U101

Multicolour print possible

Swing handle without cylinder cover on request

Further parts see page

- Profile half cylinder 3XB-120 (Blind plug without spring loaded ball not usable)
- Locking set 3XC-120
- Cams (for adapter) 3YC-120
- Rod control 3YA-110, 3YA-120, 3YA-140
- (only with hook and cut out version A) 3YA-190
- Cam for rod control (3-point latch system) 3YA-840

Swing handle with variable use of locking sets

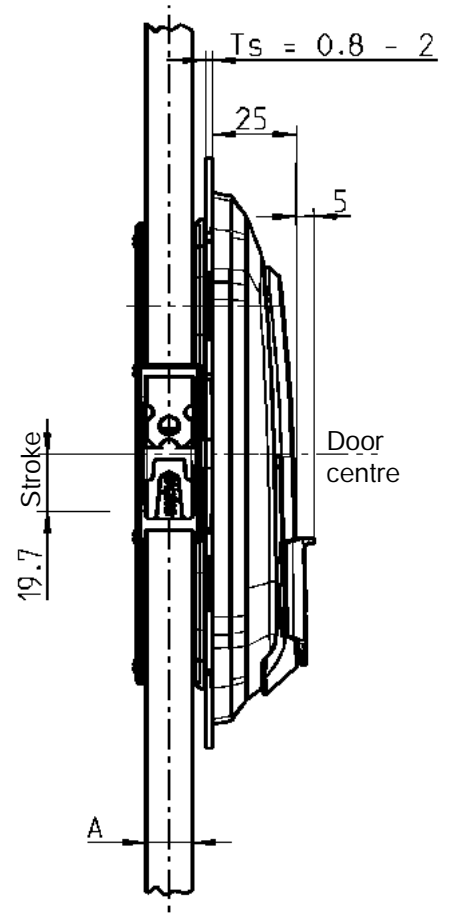
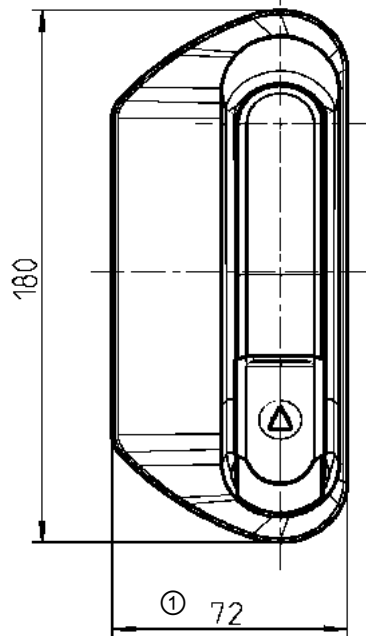
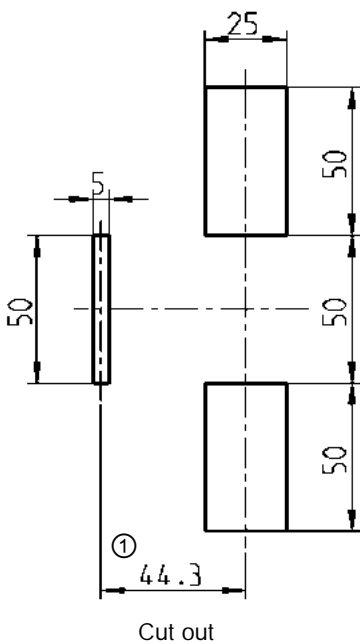
PROGRAM 1325

Info

1 Quarter turns

2 Rod controls

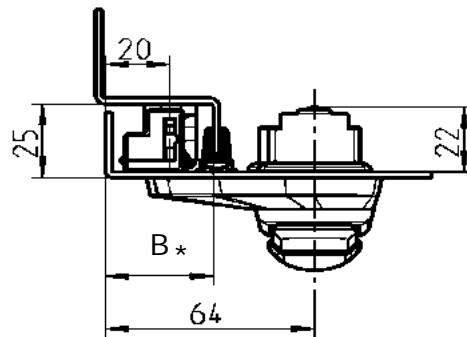
3 Locking systems



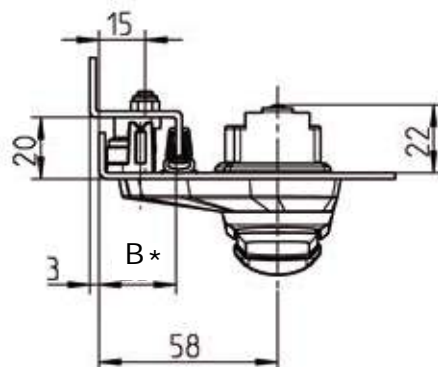
Stroke of rod one direction

Product benefits

- innovative award-winning design
- ergonomic surface feel
- variable locking options
- quick assembly and simple right-left change
- integrated scratch protection prevents surface damage (handle / dish)
- rattle-free rod connection by patented clip-in connection
- make small clearance possible 33 x 25 mm or 37 x 25 mm



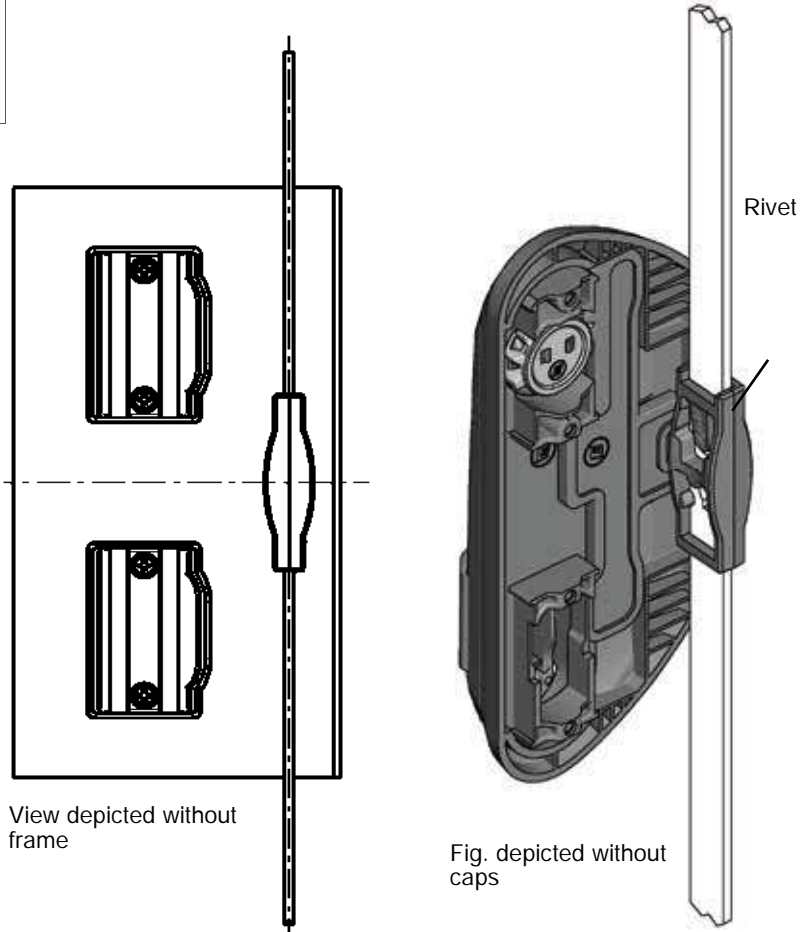
Example of an installation



Dimension A	Flat rod 14x3	
Locking type (see right)	Dimension B	
	without seal	with sealing *
1	30	33
2	30	33
3	34	37

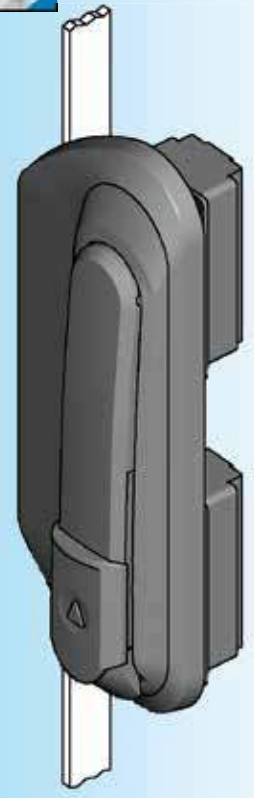
Dimension A	Flat rod 10x3	
Locking type (see right)	Dimension B	
	without seal	with sealing *
4	22	25

* The values in the table for dimension B with seal refer to the seal 1011-10. Other seals result in different values for dimension B.

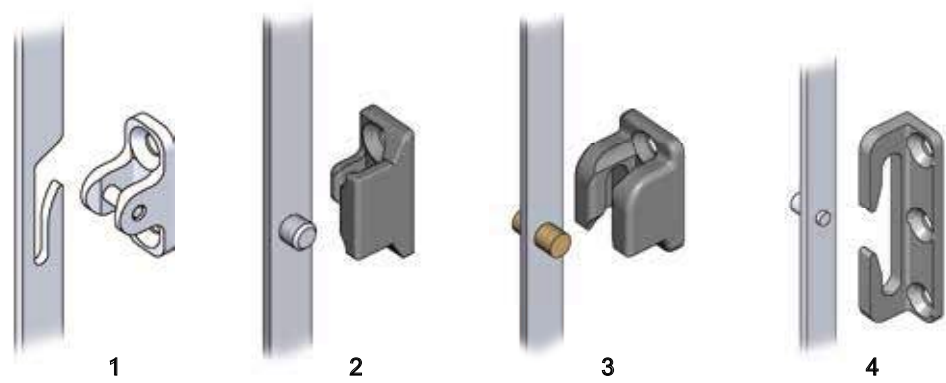


View depicted without frame

Fig. depicted without caps



Locking types



1 rod with cut out

2 rod with single roll

3 rod with double roll

4 rod with single roll

Locking set for different locks (see catalogue page 3BA-220)

① = Articles in other dimensions on request

Catch and hinge have the same fixing points

Multicolour print possible

- Further parts see page**
- Locking set 3XC-120
 - Rod controls Chamfering 25 3ZA-600
 - Chamfering 20 3ZA-605

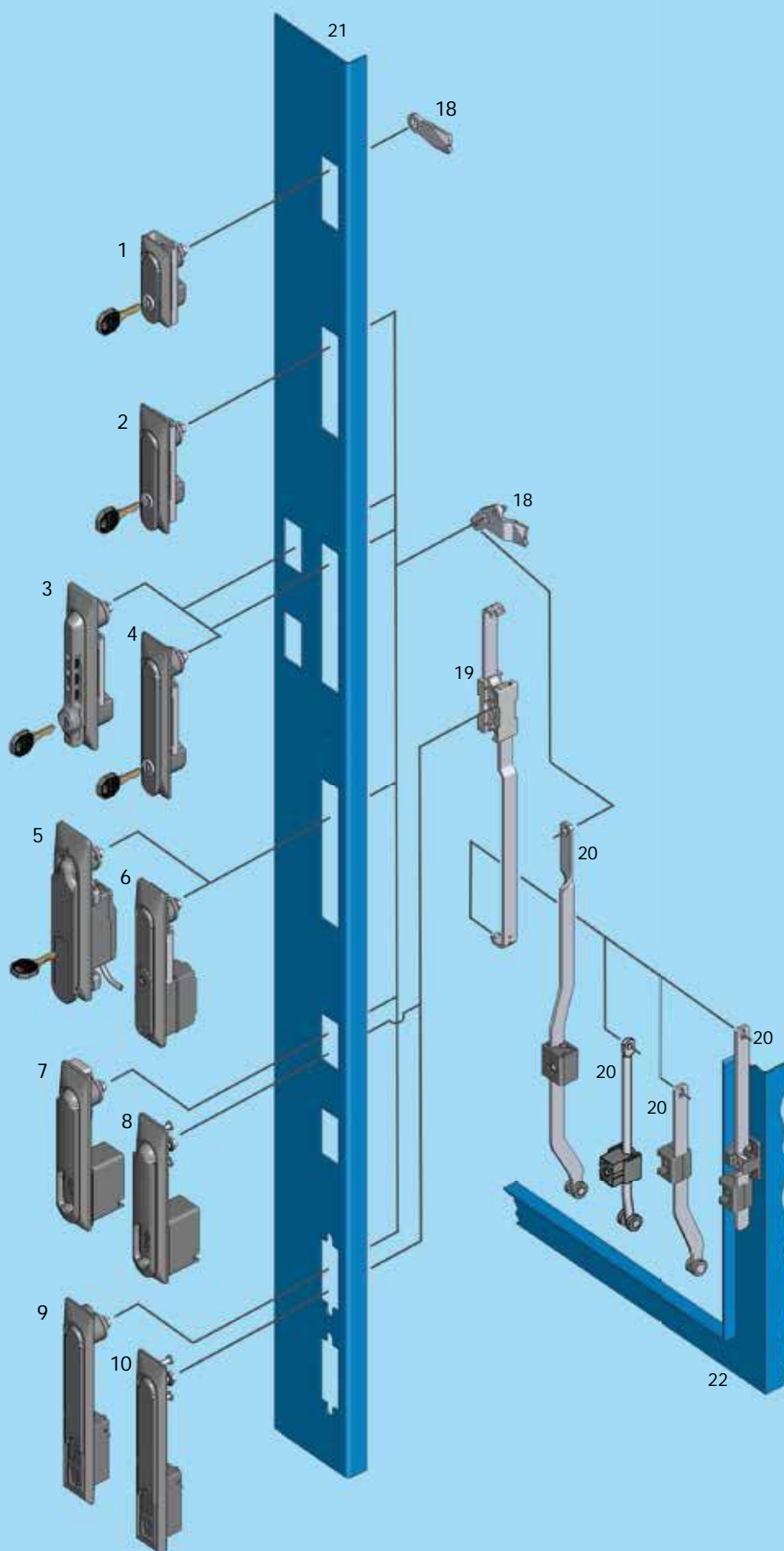
- Hinge suitable for the locking types 1, 2 and 3**
- 125° hinge 4A-136
 - 180° hinge (bottom) 4A-140
 - 180° hinge 4A-145

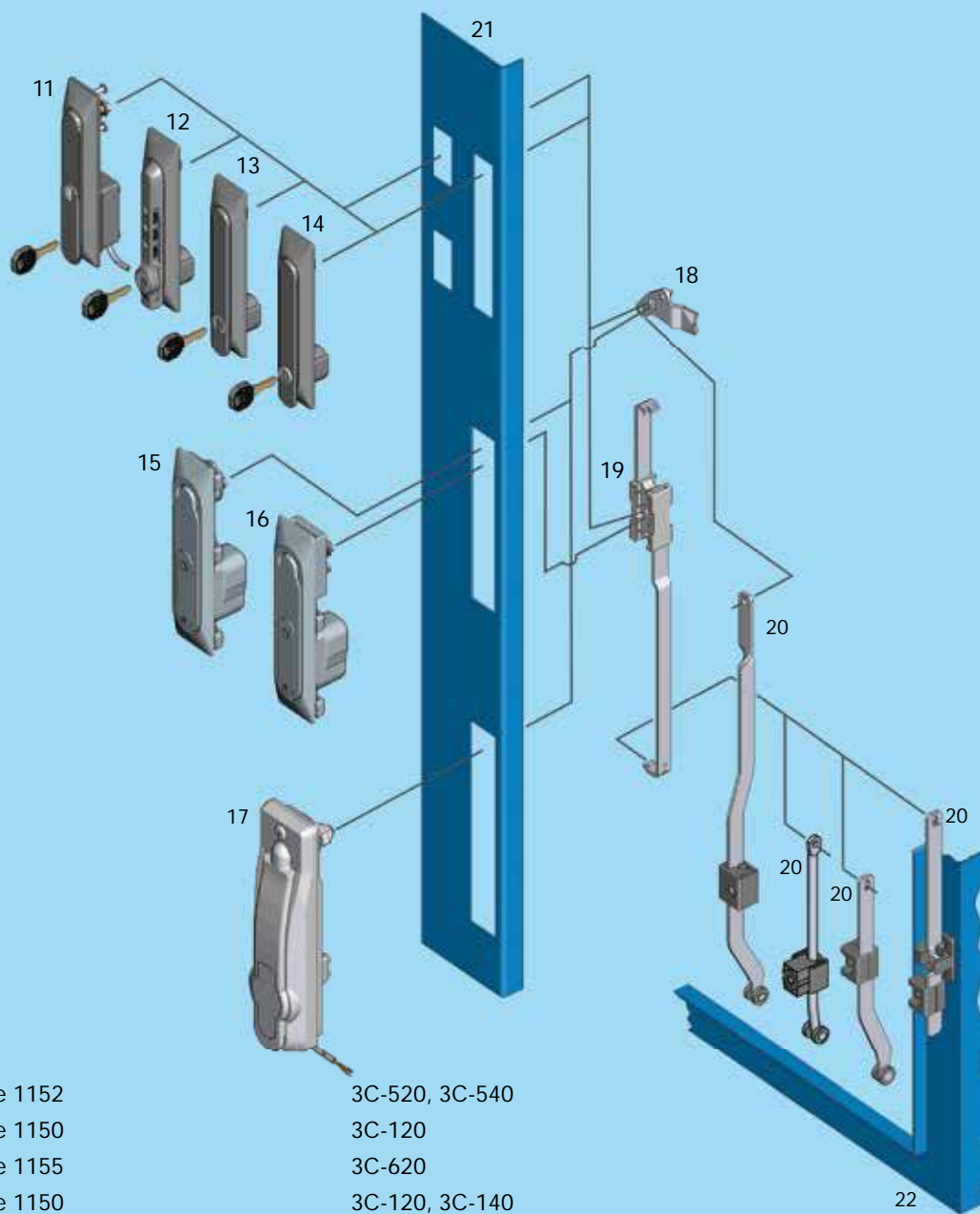
- also suitable for locking type 3**
- 180° hinge (26 mm door return) 4A-170
 - 180° hinge (26 mm door return) 4A-210

Swinghandle, catch and caps polyamide GF black; rack polyamide 66 GF 50 black; shaft with pinion zinc die zinc-plated; fixing material m. s. zinc-plated; with spring and seal without lock set (please order lock set separately)

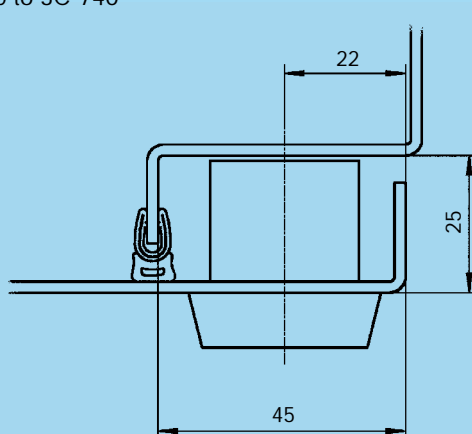
for flat rod 14x3; chamfering 25	1325-U201
for flat rod 10x3; chamfering 20	1325-U202

Swinghandle 1150





1	Swinghandle 1152	3C-520, 3C-540
2	Swinghandle 1150	3C-120
3	Swinghandle 1155	3C-620
4	Swinghandle 1150	3C-120, 3C-140
5	Swinghandle 1154 electromechanically	3C-240
6	Swinghandle 1154	3C-220
7	Swinghandle 1153 for cam	3C-320
8	Swinghandle 1153 for rod control	3C-320
9	Swinghandle 1151 for cam	3C-420
10	Swinghandle 1151 for rod control	3C-440
11	Swinghandle 1150 electromechanical	3C-160
12	Swinghandle 1155 with universal dish	3C-750
13	Swinghandle 1150 with universal dish and "Push to Lock"-action	3C-740
14	Swinghandle 1150 with universal dish	3C-720 up to 3C-740
15	Swinghandle 1154 with WK2 for cam	3C-260
16	Swinghandle 1154 with WK2 for rod control	3C-260
17	Swinghandle 1154 electromechanical with WK2	3C-280
18	Cam	
19	Rod control	
20	Rods	
21	Door	
22	Cabinet/frame	

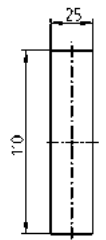
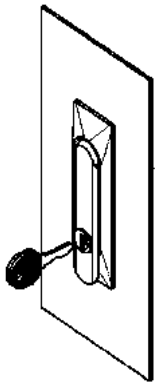


3C-100

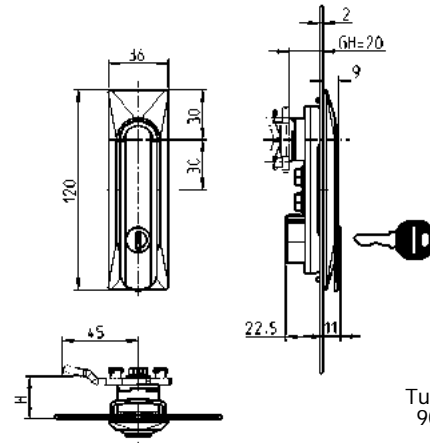
Swinghandle 1150

PROGRAM 1150

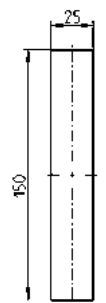
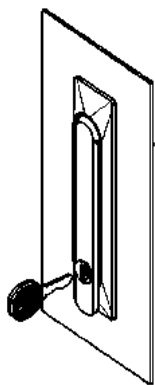
Version A (small)



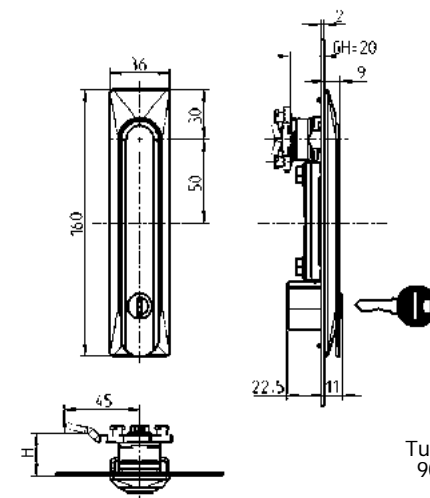
Cut out

Turn = Stroke
90° = 26 mm

Version B (normal)



Cut out

Turn = Stroke
90° = 26 mm

* EMC-Version 1150-U2-E

Swinghandle zinc die black powder coated, round cylinder with stainless steel cap and shutter, fixing material m.s. zinc pl., shaft zinc die zinc pl., with seal, swinghandle is earthed

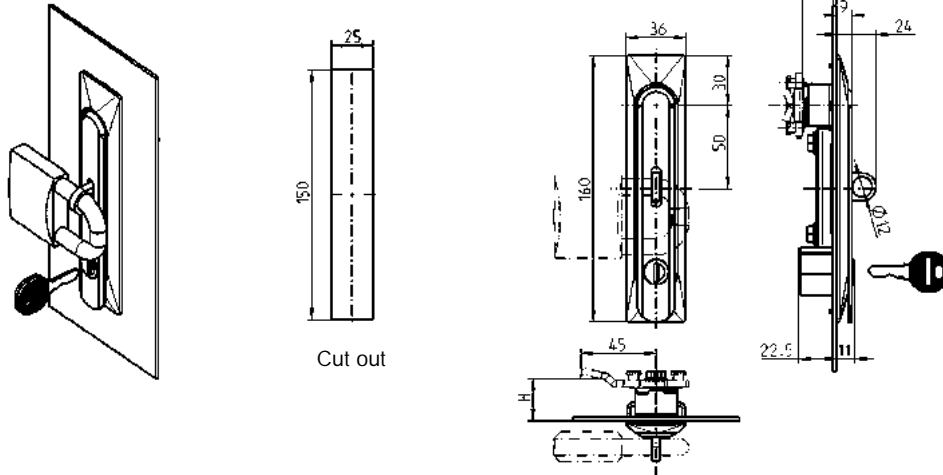
Swinghandle polyamide GF black, round cylinder with stainless steel cap and shutter, fixing material m.s. zinc plated, shaft zinc die zinc plated, with seal

Swing handle zinc die black powder coated and dish polyamide GF black, round cylinder with stainless steel cap and dust cap, fixing material m.s. zinc plated, shaft zinc die zinc plated, with seal

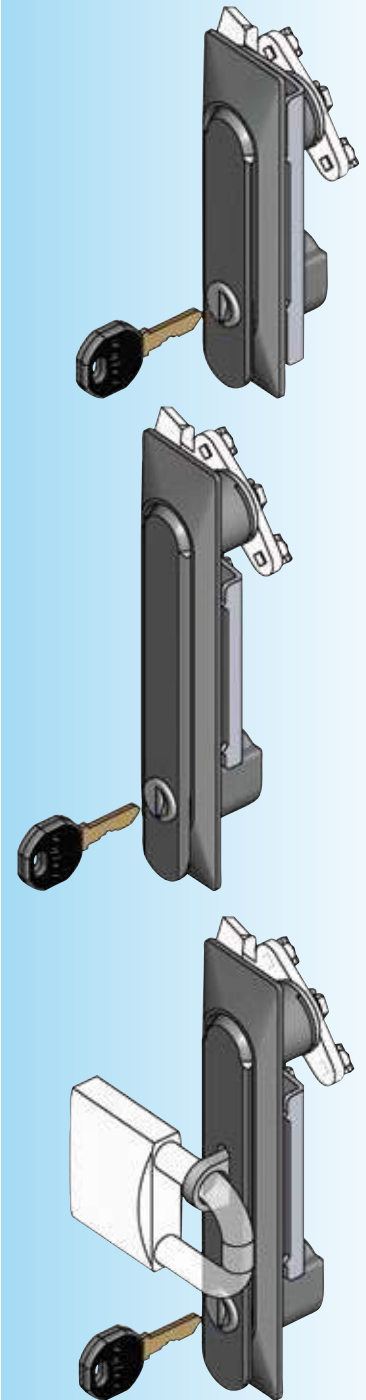
Version	A	B	A	B	A	B
keyed EK 333	1150-U1	1150-U2*	1150-U1-02	1150-U2-02	1150-U1-03	1150-U2-03
keyed different	1150-U3	1150-U4	1150-U3-02	1150-U4-02	1150-U3-03	1150-U4-03
Insert zinc die chrome plated						
Square 6	1150-U20	1150-U9	1150-U20-02	1150-U9-02	1150-U20-03	1150-U9-03
Square 7	1150-U21	1150-U10	1150-U21-02	1150-U10-02	1150-U21-03	1150-U10-03
Square 8	1150-U22	1150-U11	1150-U22-02	1150-U11-02	1150-U22-03	1150-U11-03
Triangular 6,5 CNOMO	1150-U32	1150-U31	1150-U32-02	1150-U31-02	1150-U32-03	1150-U31-03
Triangular 7	1150-U23	1150-U12	1150-U23-02	1150-U12-02	1150-U23-03	1150-U12-03
Triangular 8	1150-U24	1150-U13	1150-U24-02	1150-U13-02	1150-U24-03	1150-U13-03
Double bit 3	1150-U25	1150-U14	1150-U25-02	1150-U14-02	1150-U25-03	1150-U14-03
Double bit 5	1150-U26	1150-U15	1150-U26-02	1150-U15-02	1150-U26-03	1150-U15-03
Daimler Benz	1150-U27	1150-U16	1150-U27-02	1150-U16-02	1150-U27-03	1150-U16-03
Slot 2x4	1150-U28	1150-U17	1150-U28-02	1150-U17-02	1150-U28-03	1150-U17-03
Hexagon 8 mm female with pin	1150-U29	1150-U18	1150-U29-02	1150-U18-02	1150-U29-03	1150-U18-03
Male hexagon 11 mm	1150-U30	1150-U19	1150-U30-02	1150-U19-02	1150-U30-03	1150-U19-03
Push button	on request	on request	on request	on request	1150-U55-03	on request



Version B for padlock



Each round cylinder has one silver steel key with polyamide grip GF black.



Swinghandle zinc die black powder coated, round cylinder with stainless steel cap and dust cap, padlock shackle AISI 316, shaft zinc die zinc plated, with seal, fixing material m.s. zinc plated, swing handle earthed

Version B for padlock

keyed EK 333	1150-U2-01
keyed different	1150-U4-01

Insert zinc die chrome plated

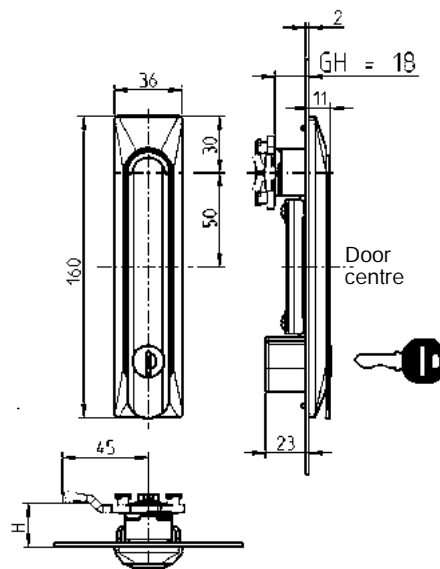
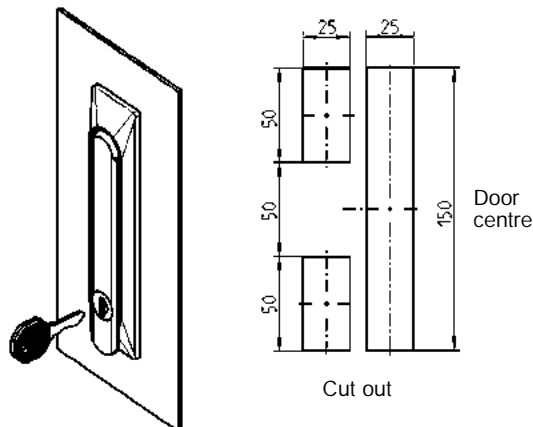
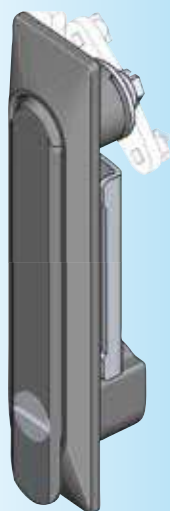
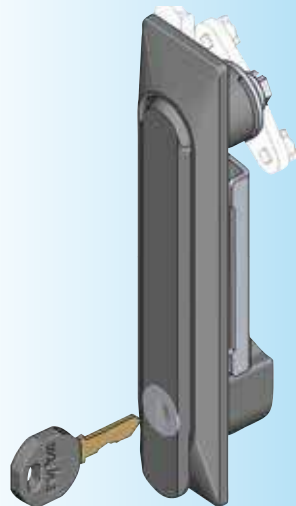
Square 6	1150-U9-01
Square 7	1150-U10-01
Square 8	1150-U11-01
Triangular 6,5 CNOMO	1150-U31-01
Triangular 7	1150-U12-01
Triangular 8	1150-U13-01
Double bit 3	1150-U14-01
Double bit 5	1150-U15-01
Daimler Benz	1150-U16-01
Slot 2x4	1150-U17-01
Hexagon 8 female with pin	1150-U18-01
Hexagon 11 male	1150-U19-01
Push button	on request

Further parts see page

- Key 12B-120
- Spare key 12B-140
- Cam (GH = 20) 3YC-140

On request:

- handle blank (no locking system)



* can be assembled in cut out of 1125/1225

Further parts see page

- Key 12B-120
- Spare key 12B-140
- Cam (GH = 18) 3YC-120

On request:

- Key retained in the open position of the cylinder
- Other inserts

Swinghandle zinc die black powder coated, dish polyamide black, fixing material m.s. zinc plated, shaft zinc die zinc plated, round cylinder with stainless steel cap and shutter, with seal.

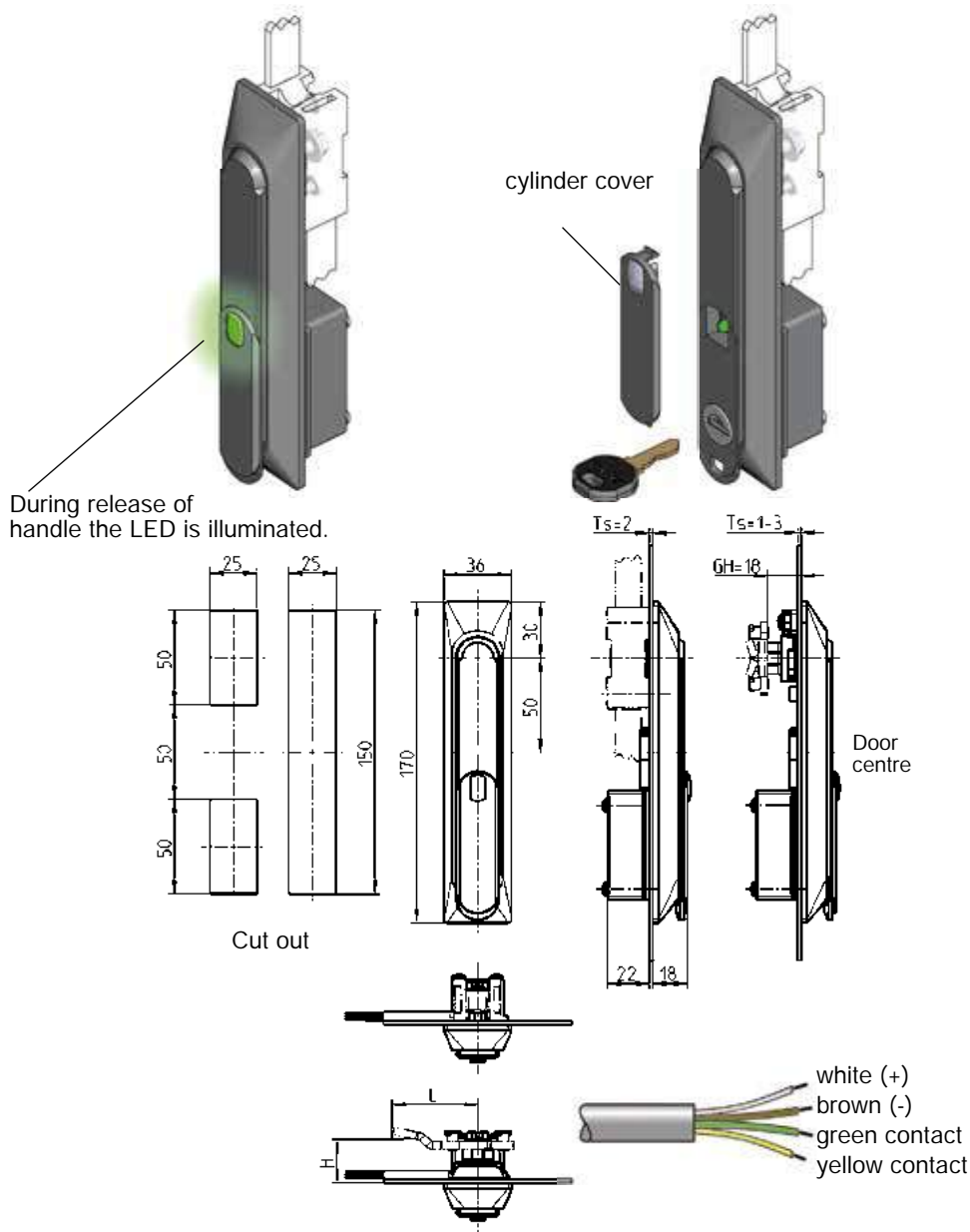
Each round cylinder has one silver steel key with polyamide grip GF black.

keyed EK 333	1150-U33-03
keyed different	1150-U34-03
Inserts: Chrome plated zinc alloy	
Square 6	1150-U36-03
Square 7	1150-U37-03
Square 8	1150-U38-03
Triangular 6,5 CNOMO	1150-U39-03
Triangular 7	1150-U40-03
Triangular 8	1150-U41-03
Double bit 3	1150-U42-03
Double bit 5	1150-U43-03
Daimler Benz	1150-U44-03
Slot 2x4	1150-U35-03
Hexagon female 8 with pin	1150-U45-03
Hexagon 11 male	1150-U46-03

Swinghandle 1150 with electromechanical release and emergency opening

PROGRAM 1150

This handle is suitable for locking of indoor cabinets. It is released by applying a voltage signal of 12 V or 24 V DC. After the handle has been pressed briefly into the dish, it can be opened. The integrated reed contact indicates the handle status. To lock the handle it must be pressed into the dish until the closing mechanism engages. The key provided is used to open the handle in case of power failure. For this the cover over the locking cylinder must be removed. The cover will be destroyed thereby and must be replaced.



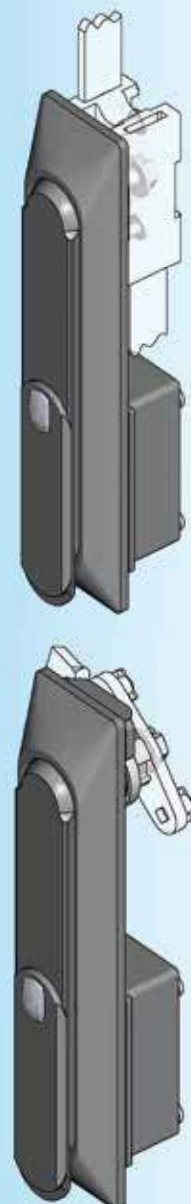
Handle zinc die black powder coated; dish and cap polyamide GF black; cylinder cover Bio-Flex black; shaft AISI 303, round cylinder with stainless steel cap and dust cap; solenoid with electronics; reed contact and LED; connecting cable (4 m); fixing material m.s. zinc plated.

Each round cylinder has one silver steel key with polyamide grip GF black.

Switching power contact: 48 VDC, 0.5 A

	keyed EK 333	keyed different
Solenoid 12 V, for rod control	1150-U56	1150-U56-V
Solenoid 24 V, for rod control	1150-U56-01	1150-U56-01V
Solenoid 12 V, for cam	1150-U58	1150-U58-V
Solenoid 24 V, for cam	1150-U58-01	1150-U58-01V
Cylinder cover Bio-Flex black (spare part)		
		1150-B33

Beschlagteile



Note:
This handle can be connected to the modules 3000-U32-02 and 3000-U47-02 or 3000-U47-07.

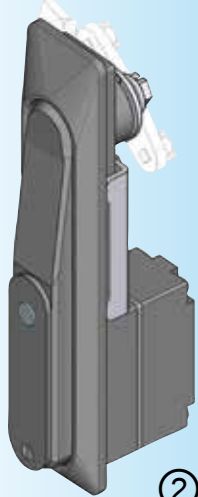
Further parts see page

– Cams (GH = 18) 3YC-120
– Rod control 3YA-110
3YA-120
3YA-140
– Spare key 12B-140

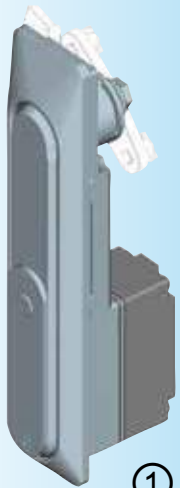


Resistance class:

RC2 DIN EN 1630, in case of the swinghandle 1154-U2 achieved by profile half-cylinder according to DIN EN 18252-BZ or DIN EN 1303 with resistance class 2 with protection against drilling and pulling.

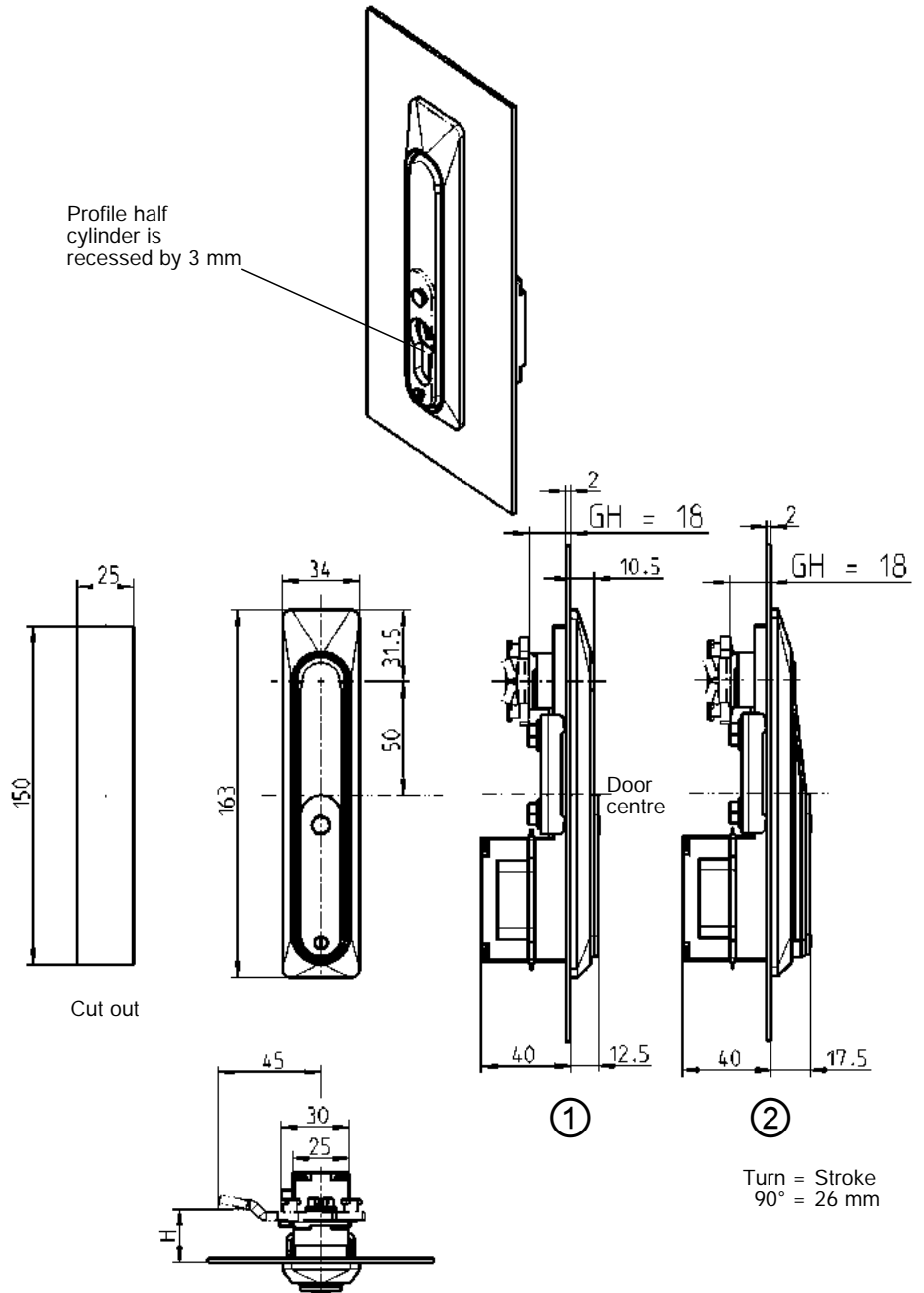


②



①

Profile half cylinder is recessed by 3 mm



Cut out

Turn = Stroke
90° = 26 mm

Suitable for profile half cylinder
(length A = 30 or A = 35)
DIN 18252 (EN 1303)

Further parts see page
– Cam (GH = 18) 3YC-120
– Profile half cylinder 3XB-120

Swinghandle zinc die black powder coated, cap polyamide black, shaft zinc die zinc plated, fixing material m.s. zinc plated, with seal

① for profile half cylinder 40

1154-U1

② for profile half cylinder 45

1154-U3

Swing handle AISI 316, shaft AISI 303, cap polyamide black, fixing material stainless steel, with seal

① for profile half cylinder 40; with RC2

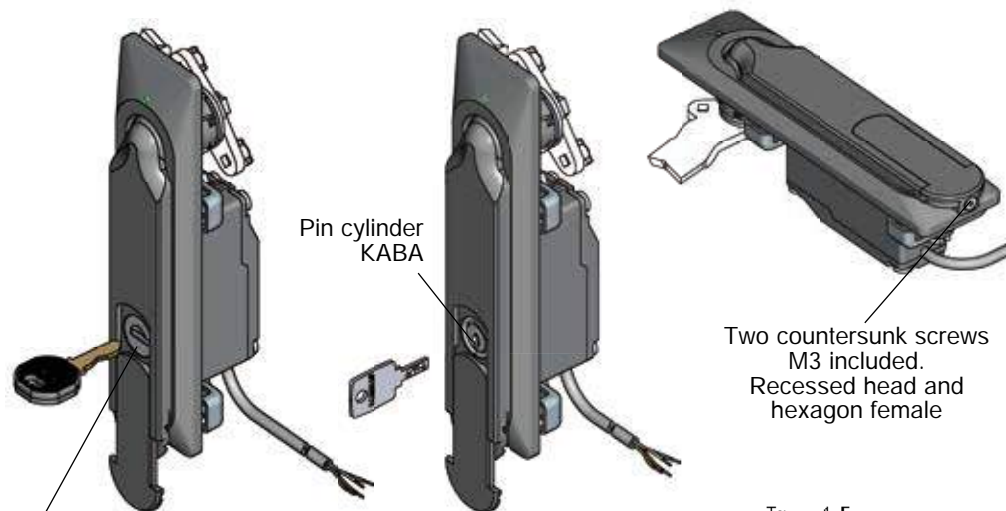
1154-U2

Swinghandle 1154 with electromechanical release and emergency opening

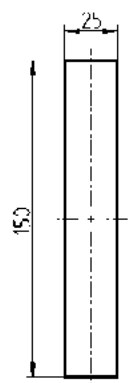
PROGRAM 1150

This handle is suitable for locking outdoor cabinets. By applying a 12 V, 24 V or 48 V DC Signal, the handle can be released. After pushing the handle briefly into the dish, it can be opened.

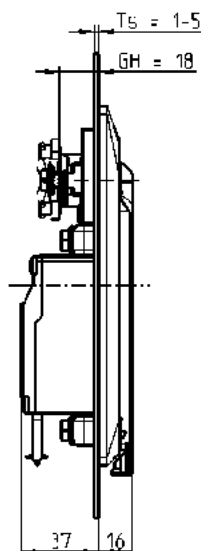
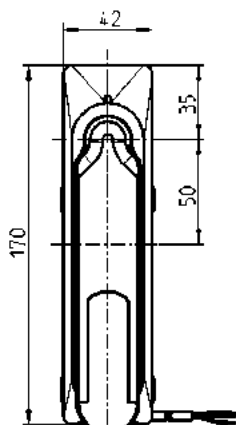
The integrated reed contact serves as remote control of the handle Status. For locking the handle has to be pushed into the dish until the lock mechanism latches. The supplied key is used for opening the handle in case of power failure. To open the cylinder cover the screw M3 has to be removed. Then it is possible to unlock by means of round / pin cylinder.



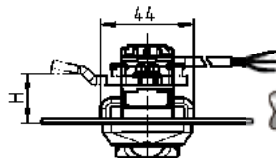
Round cylinder EK



Cut out



H-dimension starting at 33 mm



white (+)
brown (-)
green contact
yellow contact

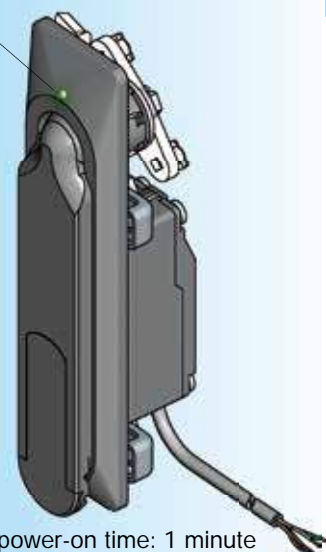
Swinghandle zinc die black powder coated, cap and dust cap polyamide GF black, shaft zinc die zinc plated, holder AISI 304, round cylinder EK with stainless steel cap and shutter, brass pin, solenoid with electronics, reed contact and LED, cable (4 m), screw M3 for cylinder cover AISI 304, fixing material m.s. zinc plated, with seal.

Each cylinder EK with one key silver steel with grip polyamide GF black
switching power contact: 48 VDC, 0.5 A

	keyed EK 333	keyed different
Round cylinder EK; 48V	1154-U6	1154-U6-V
Round cylinder EK, 24V	1154-U6-02	1154-U6-02V
Round cylinder EK; 12V	1154-U6-03	1154-U6-03V
	keyed EH6993	keyed different
Pin KABA Micron Plus; 48V	1154-U6-01	1154-U6-01V
Pin KABA Micron Plus; 24V	1154-U6-04	1154-U6-04V
Pin KABA Micron Plus; 12V	1154-U6-05	1154-U6-05V

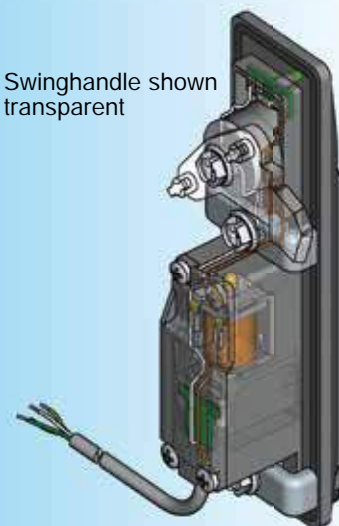


During release of handle the LED is illuminated.



max. power-on time: 1 minute

Swinghandle shown transparent



Further parts see page

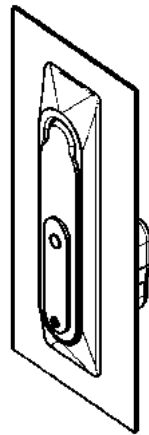
- Cam (stroke 26) H-dimension as of 33 mm 3YC-120 on request
- Rod 12B-140 on request
- Spare key EK KABA

Stainless steel swinghandle 1154 with WK2

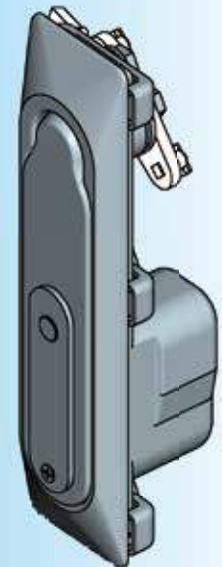
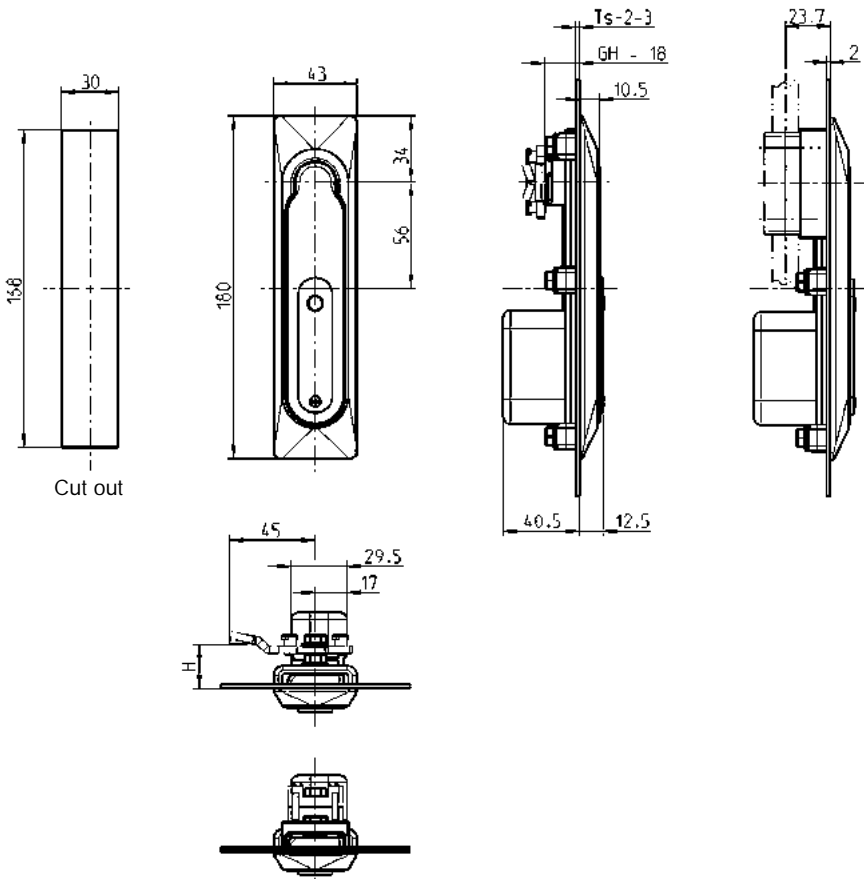
PROGRAM 1150

Beschlagteile

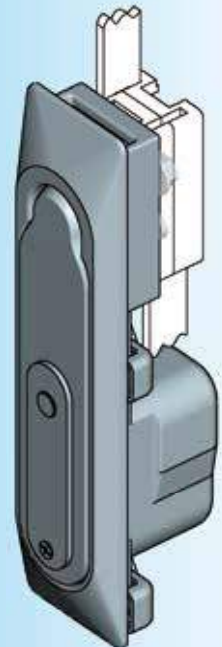
Suitable for profile half cylinder
(Length A=30) DIN 18252 (EN 1303)



PIV Test certificate 20-15/07
The swinghandle has successfully passed the test according to WK 2 DIN V ENV 1630. The test was approved by the Test Institute for Locks and Fittings Velbert



Turn 90° with cam



Swinghandle AISI 316, shaft AISI 303,
fastening material stainless steel, with seal

for cam	1154-U4
for rod control	1154-U5

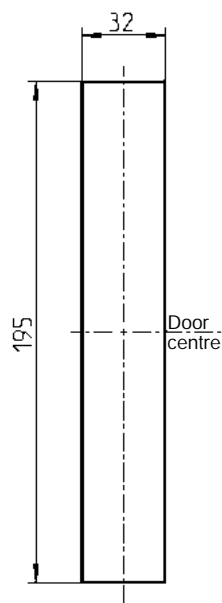
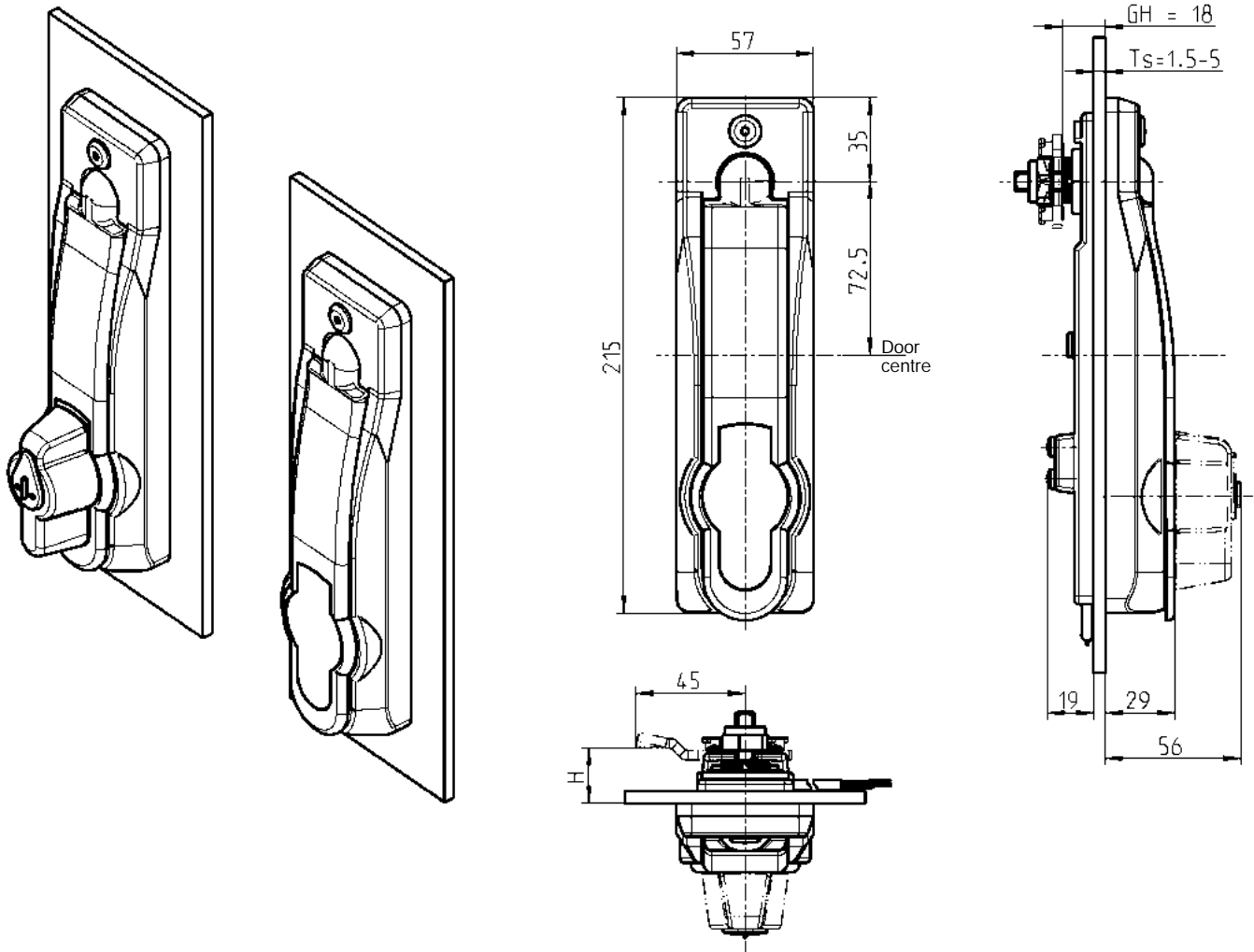
Further parts see page

- Cam (GH=18)	3YC-120
- Rod control for cam	3YC-180
- Rod control	3YA-440
- Profile half cylinder	3XB-120

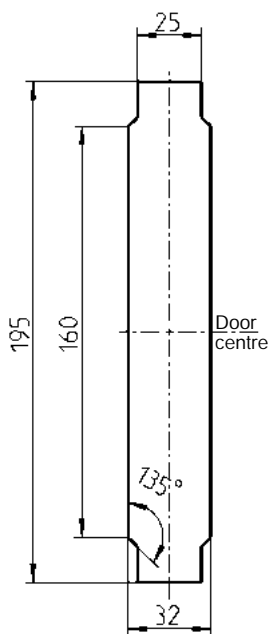
Swinghandle 1154 with RC2 and electromechanical release; limited emergency opening

PROGRAM 1150

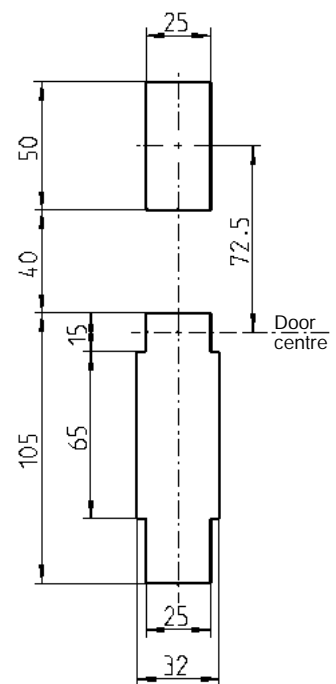
Info
1 Quarter turns
2 Rod controls
3 Locking systems



Cut out

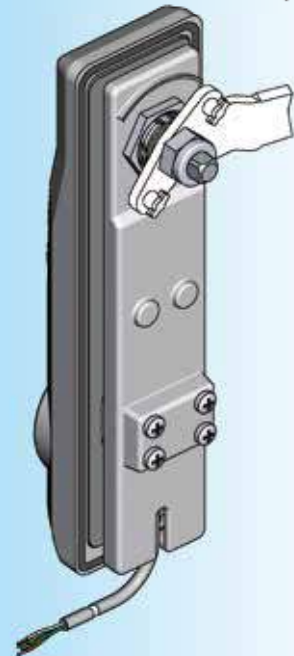
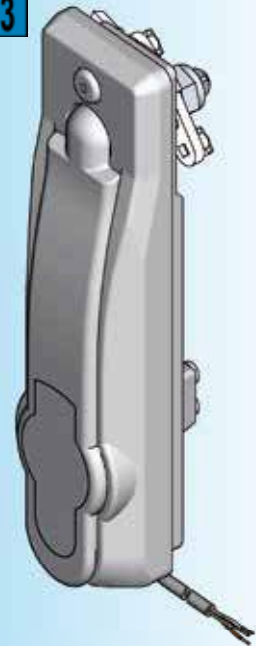
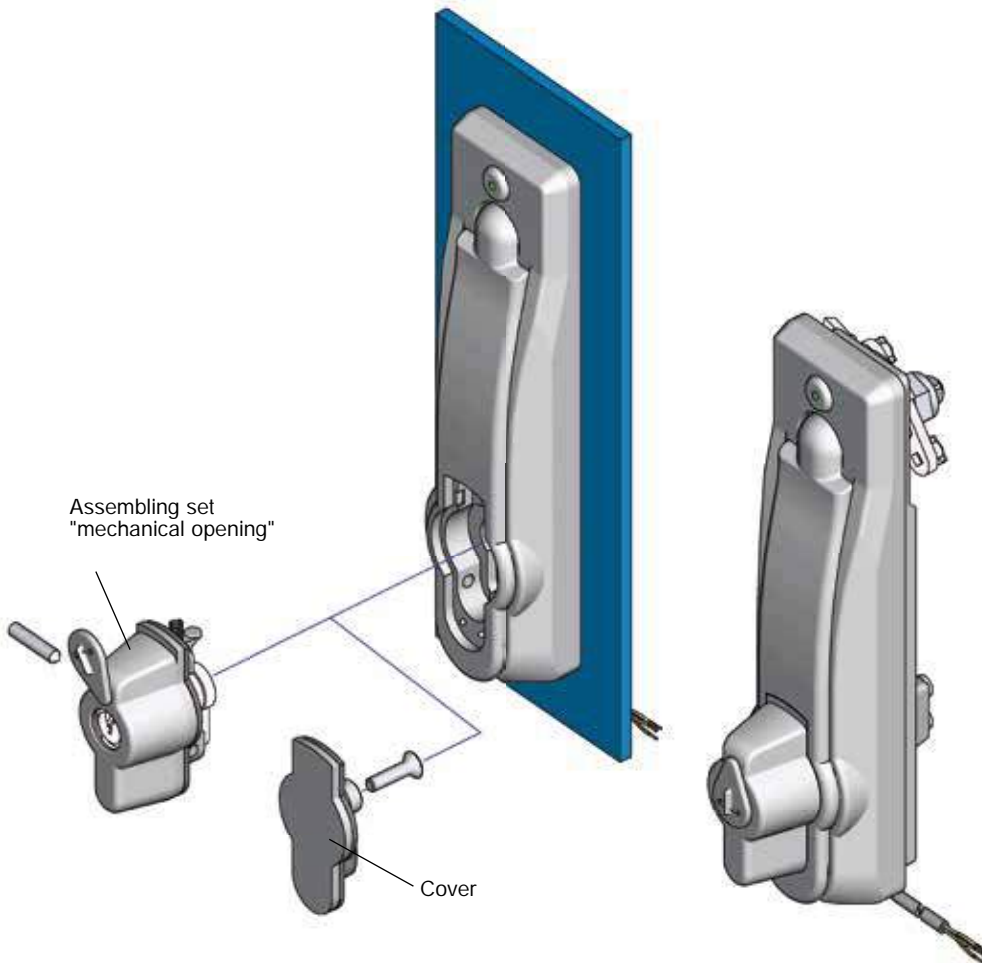


alternative cut out



alternative cut out

This handle is suitable for indoor and outdoor applications from -30°C to +80°C. It is released by applying a 48 V DC signal. On release of the handle, the LED is illuminated. After the handle has been pressed into the dish, it will open. The integrated reed contact indicates the handle status. To lock the handle must be pressed into the dish until the locking mechanism engages. The ready-assembled swinghandle with cover is IP65 on the front and IP42 on the back; with the assembling set „mechanical opening“ it is IP54. With cover in place, the handle is vibration and shock tested and complies to resistance class standard "RC2". It is not possible to open the handle nondestructively after mounting the cover.



PIV Certificate 20-28/09

The swinghandle has successfully passed the test according to WK 2 DIN V ENV 1630 (RC2). The test was approved by the official Test Institute for Locks and Fittings in Velbert, Germany.

Swinghandle zinc die light grey powder coated (RAL 7035),
Cover AISI 316 light grey powder coated (RAL 7035), shaft AISI 303, solenoid with electronics,
reed contact, LED and cable (4m), fixing material m.s. zinc plated, with seal.

1154-U12

Assembling set "mechanical opening" polyamide light grey (RAL 7035),
trigger zinc die zinc plated, spring stainless steel,
fixing material m.s. zinc plated, with seal.

for profile half zylinder

1154-U11

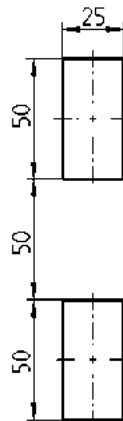
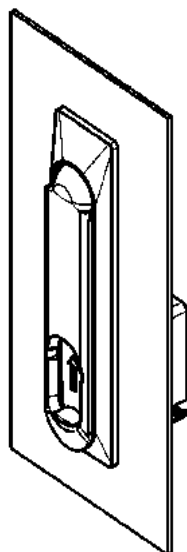
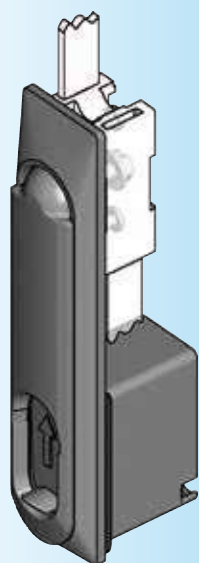
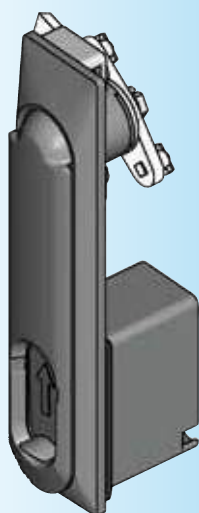
Assembly kit "mechanical opening" in stainless steel on request!

Further parts see page

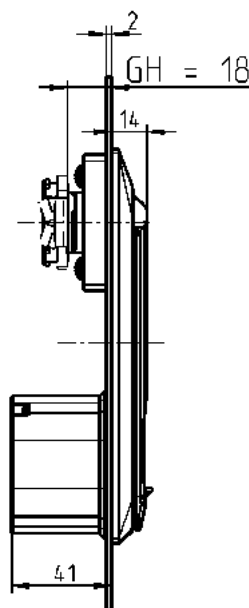
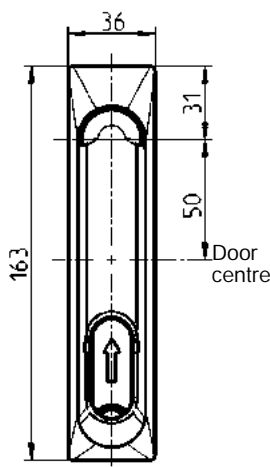
- Cam (stroke 26) 3YC-120
- Rod 3ZB-540
- Profile half cylinder 3XB-320



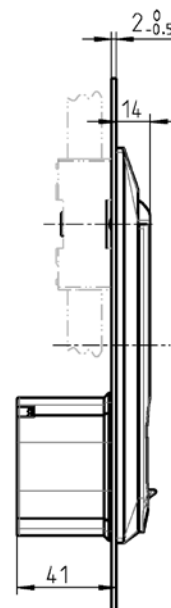
suitable for profile half cylinder (length A = 30)
DIN 18252 (EN 1303)



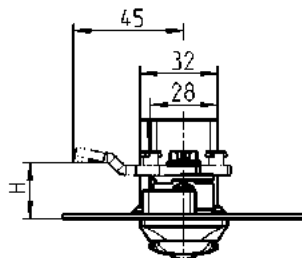
Cut out



Version A



Earthing with version B



Attention: Housing length GH = 18 mm

* can be assembled in cut out of 1125/1225

Further parts see page for version A

- Cam (GH = 18) 3YC-120

for version B

- Rod control only inside of the seal 3YA-110

3YA-120

3YA-140

for version A and B

- Profile half cylinder 3XB-120

Swinghandle zinc die black powder coated, fixing material m.s. zinc plated, shaft zinc die zinc plated, with seal

Version A for cam

1153-U1

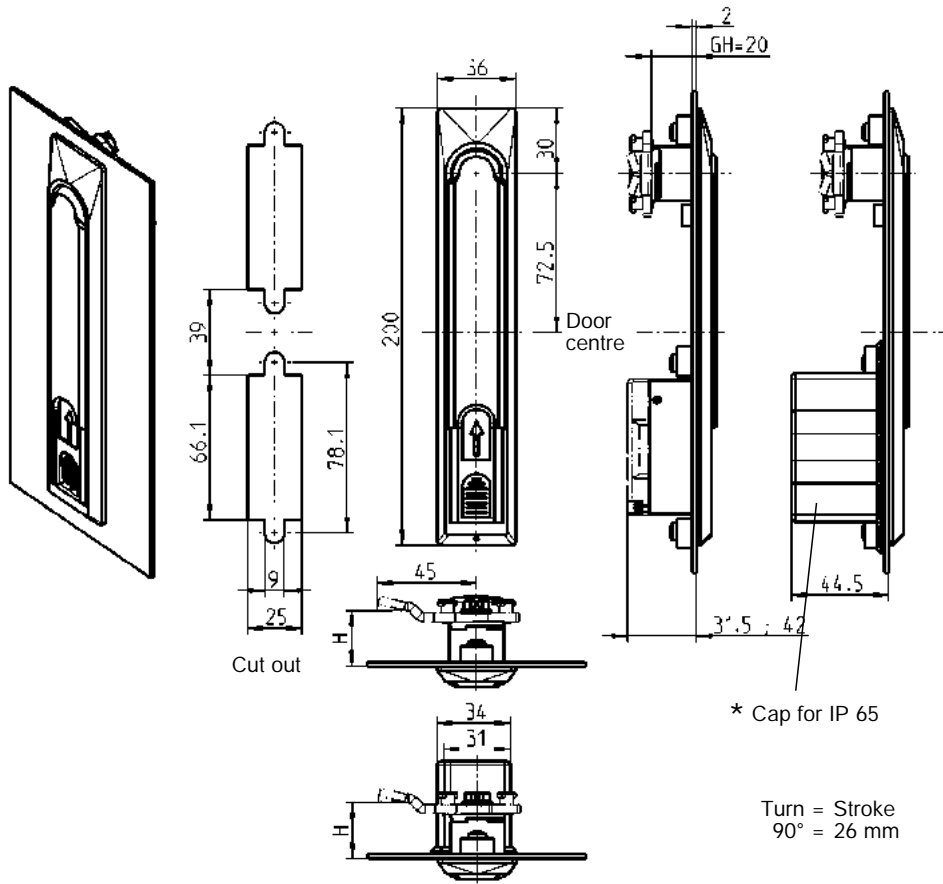
Rod control and earthing with version B

1153-U2

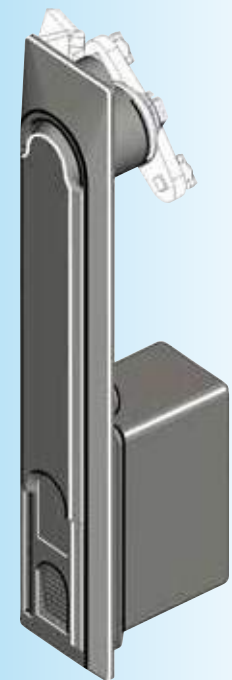
Swinghandle 1151

PROGRAM 1150

Beschlagteile



* Dimension:
38,5 (wide) x 97 (length), cap for profile half cylinder
35 (wide) x 97 (length), cap for insert and round cylinder

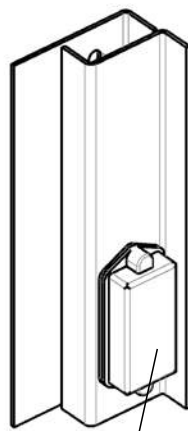
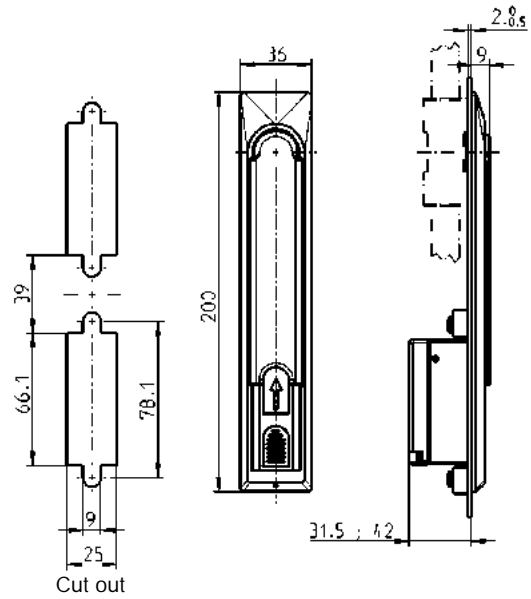
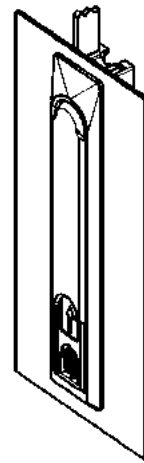
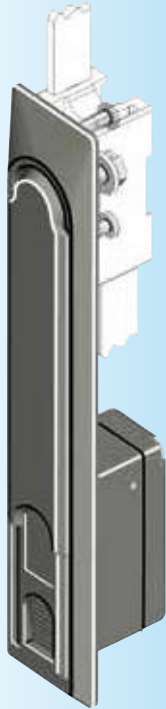


Note:
Swinghandle without locking set

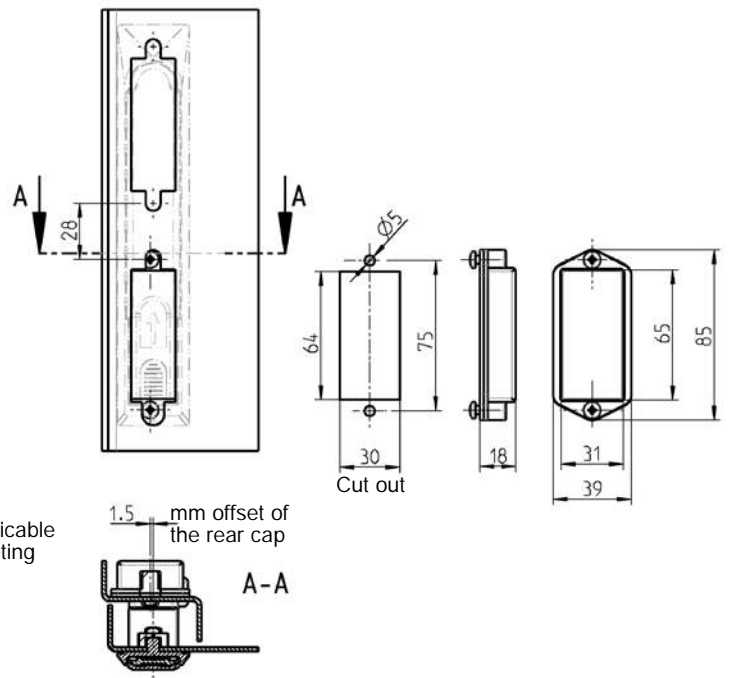
Swinghandle zinc die black powder coated, fixing material m.s. zinc plated, shaft zinc die zinc plated, with seal

IP-Rating: IP 54	1151-U1
IP 65 with:	
cap for profile half cylinder	1151-05
cap for insert and round cylinder	1151-05-01

Further parts see page
 – Locking set 3XA-120
 3XA-140
 – Locking set ELM chapter 11
 – Cam (GH = 20) 3YC-140



Frame cover applicable outside the gasketing



Note:
Swinghandle without locking set

Further parts see page
 – Locking set 3XA-120
 3XA-140
 – Locking set ELM Kapitel 11
 – Rod control 3YA-420

Swinghandle zinc die black powder coated,
 fixing material m.s. zinc plated,
 shaft zinc die zinc plated,
 with seal

1151-U3

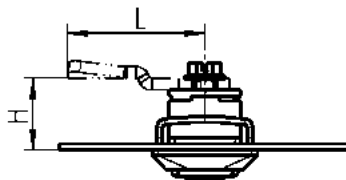
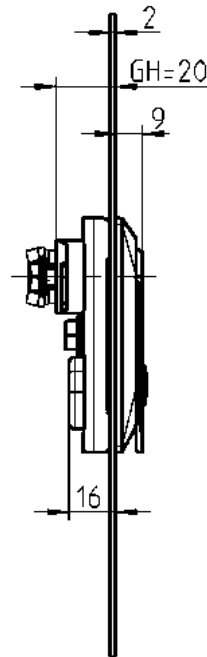
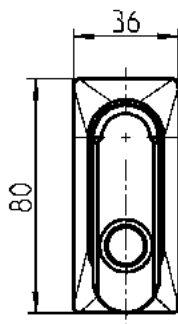
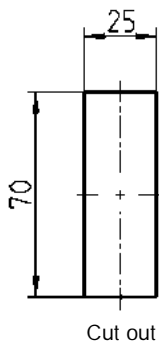
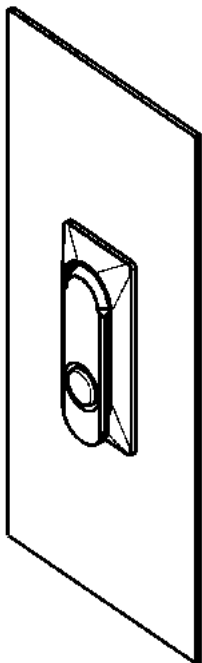
Frame cover polyamide black,
 fixing material m.s. zinc plated for LH and RH application,
 with seal

2100-U31

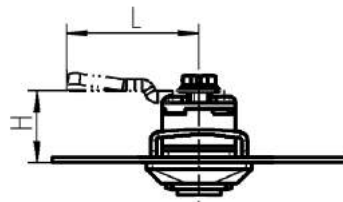
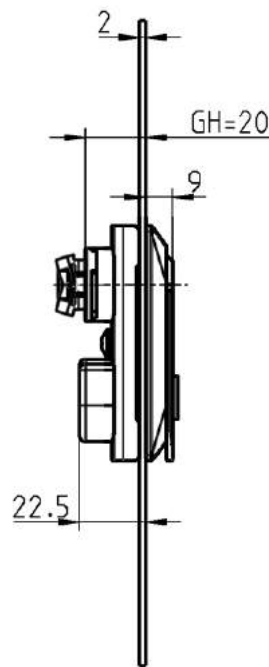
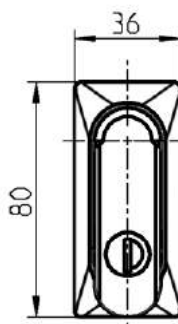
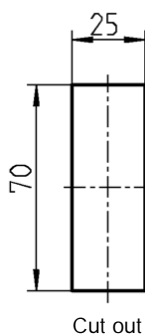
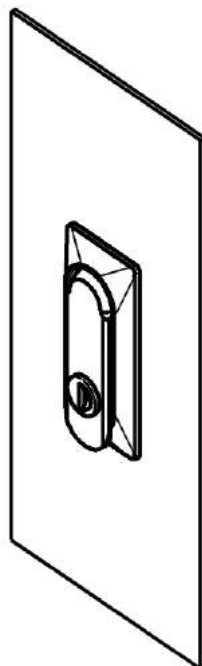
Swinghandle 1152

PROGRAM 1150

Swinghandle with push button or blind



Swinghandle with round cylinder

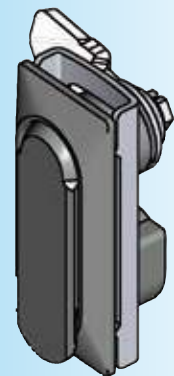
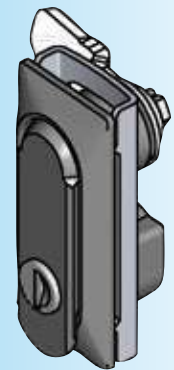
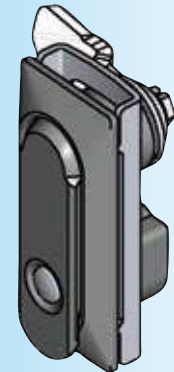


Swinghandle zinc die black powder coated, round cylinder with stainless steel cap and shutter, fixing material m.s. zinc plated, shaft zinc die zinc plated, push button polyamide silver, with seal.

Each round cylinder has one silver steel key with polyamide grip GF black.

Push button	1152-U1
keyed EK 333	1152-U2
keyed different	1152-U4
Blank	1152-U3

Beschlagteile



Turn 90°

Note:

Version in polyamide on request.

Further parts see page

- Cam without catch 1C-120
(not for cam with rod control)
- Spare key 12B-140

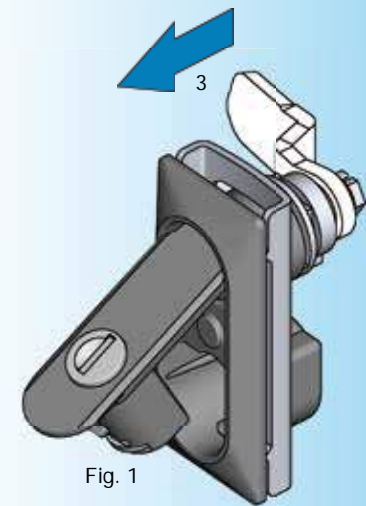


Fig. 1

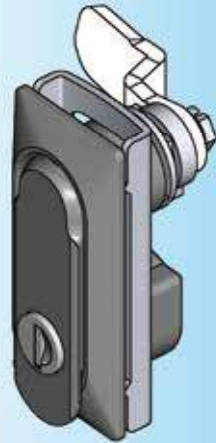


Fig. 2

Turn 90°

Note:

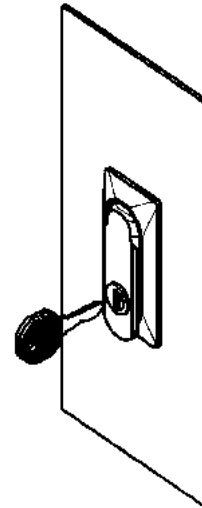
Suitable for door thickness from 1 – 3 mm (18, 16, 14, and 12 ga. steel).

Further types on request

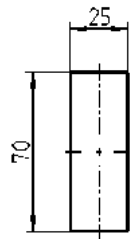
- Company logos may be printed or embossed
- This handle has an "over-center" action and so is vibration resistant

Further parts see page

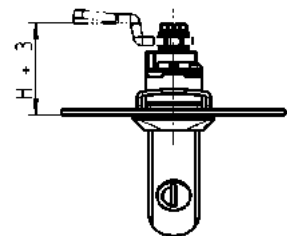
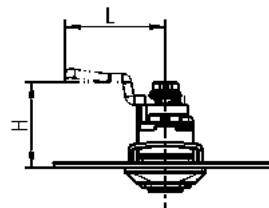
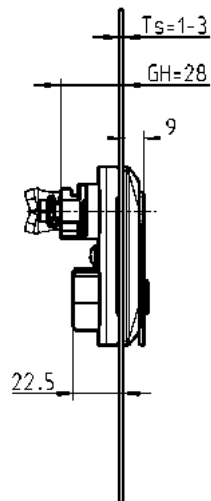
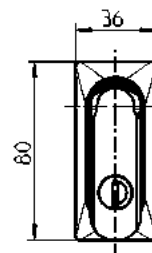
- Cam 1C-120
- Spare key 12B-140



As the handle is pushed into the escutcheon (see fig 2) the cam moves 3 mm axially towards the door.



Cut out



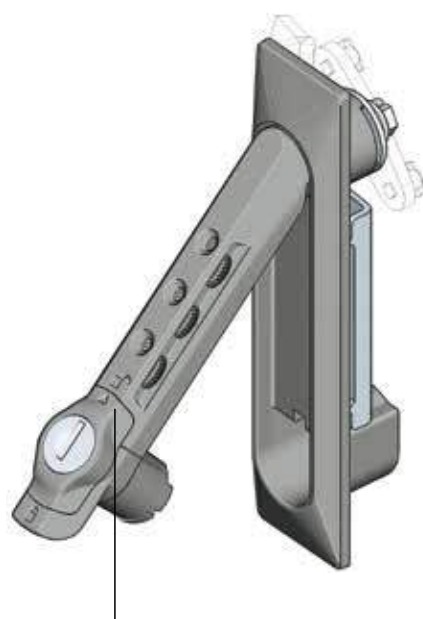
Swinghandle polyamide GF black powder coated, round cylinder with stainless steel cap and shutter, fixing material m.s. zinc plated, shaft zinc die zinc plated, push button polyamide silver. Each round cylinder has one silver steel key with polyamide grip GF black.

	without seal (IP 40)	with seal (IP 65)
Push button	1152-U9	1152-U9-01
keyed EK 333	1152-U10	1152-U10-01
keyed different	1152-U12	1152-U12-01
Blank	1152-U11	1152-U11-01

Swinghandle* 1155

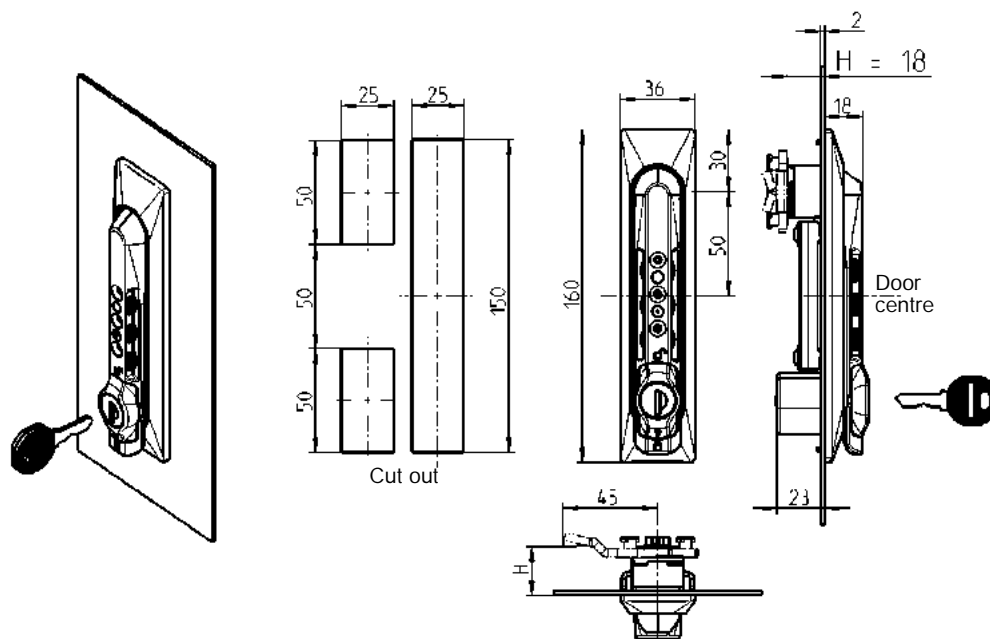
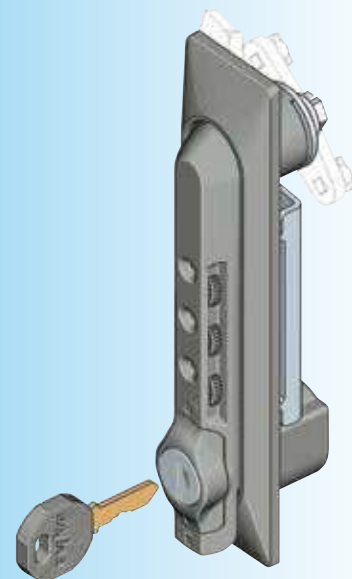
PROGRAM 1150

Swinghandle with two locking options. For single point or multiple point locking system



Option 1:
Release using round cylinder, operation as with usual swinghandles of program 1150. The combination lock remains untouched.

Option 2:
Release using combination lock and wing knob. The round cylinder remains locked. The arrow on the wing knob indicates the opened or closed position.



Swinghandle polyamide GF black powder coated, shaft zinc die zinc plated, round cylinder with stainless steel cap and shutter, fixing material m.s. zinc plated, with seal.

Each round cylinder has one silver steel key with polyamide grip GF black.

keyed EK 333

1155-U1

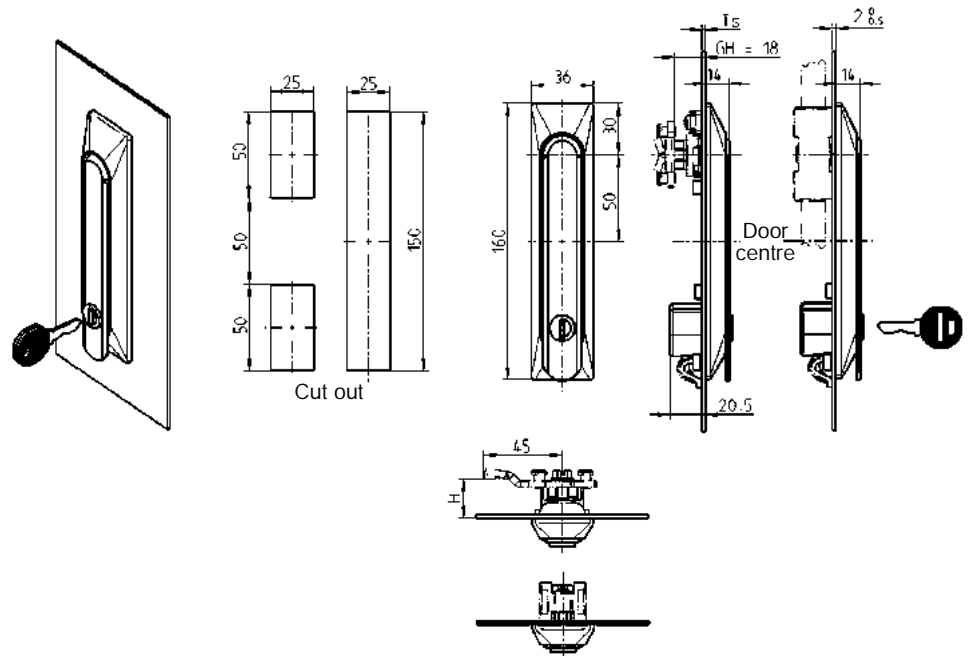
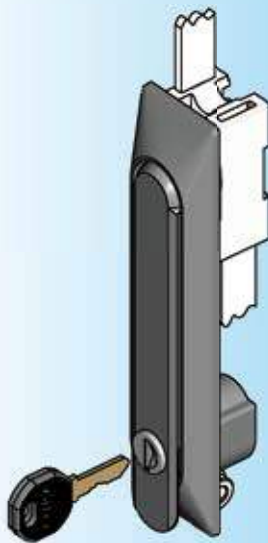
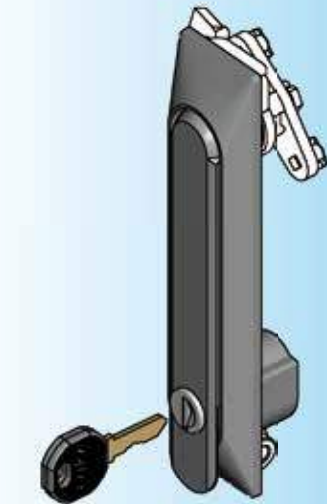
keyed different

1155-U2

* can be assembled in cut out of 1125/1225

Further parts see page

– Cam (GH = 18) 3YC-120
– Spare key 12B-140



Attention:
Please order fixing material separately.

Ts = 1,0 up to 3,0 mm depending on choice of fixing material

Swinghandle material on choice, dish polyamide black, shaft zinc die zinc plated, with seal, round cylinder zinc die with stainless steel cap and shutter.
Each round cylinder has one silver steel key with polyamide grip GF black.

	Swinghandle polyamide GF black	Handle: Black powder coated zinc alloy
keyed EK 333	1150-U2-11	1150-U2-12
keyed different	1150-U4-11	1150-U4-12
Inserts: Chrome plated zinc alloy		
Square 6	1150-U9-11	1150-U9-12
Square 7	1150-U10-11	1150-U10-12
Square 8	1150-U11-11	1150-U11-12
Triangular 6,5 CNOMO	1150-U31-11	1150-U31-12
Triangular 7	1150-U12-11	1150-U12-12
Triangular 8	1150-U13-11	1150-U13-12
Double bit 3	1150-U14-11	1150-U14-12
Double bit 5	1150-U15-11	1150-U15-12
Daimler Benz	1150-U16-11	1150-U16-12
Slot 2x4	1150-U17-11	1150-U17-12
Hexagon 8 mm female with pin	1150-U18-11	1150-U18-12
Male hexagon 11 mm	1150-U19-11	1150-U19-12
Push button	1150-U20-11	1150-U20-12

* can be assembled in cut out of 1125/1225

Further parts see page

- Fixing material 3C-780
- Cam (GH = 18) 3YC-120
- Rod control 3YA-110
- 3YA-120
- 3YA-140
- Key 12B-120
- Spare key 12B-140

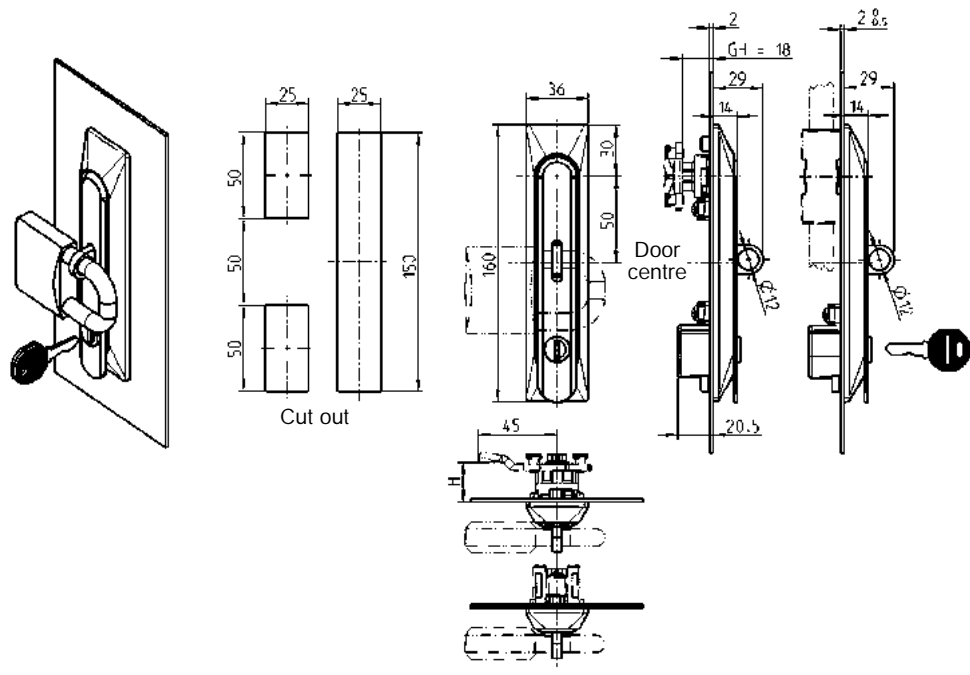
On request:

- Key retained in the unlocked position
- Other inserts
- handle blank (no locking system)

Swinghandle* 1150 for padlock with universal dish

PROGRAM 1150

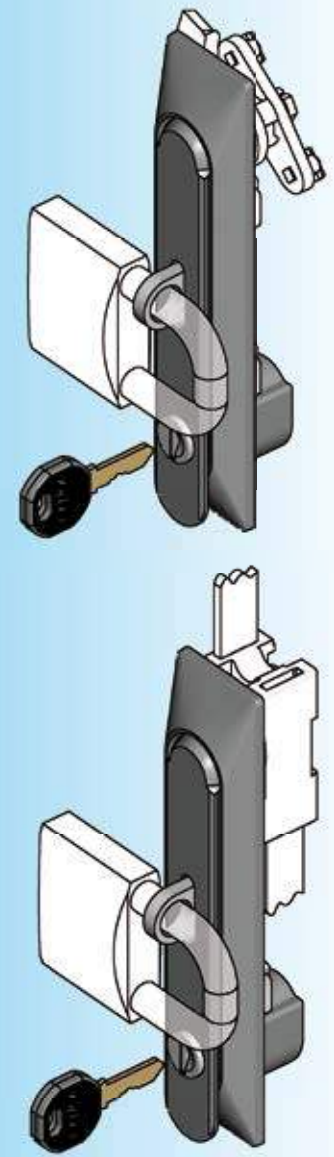
Beschlagteile



Attention:

Please order fixing material separately.

Ts = 1,0 up to 3,0 mm depending on choice of fixing material



Swinghandle zinc die black powder coated; dish polyamide black;
padlock shackle AISI 316;
shaft zinc die zinc plated, with seal;
round cylinder zinc die with stainless steel cap and dust cap.
Each round cylinder has one silver steel key with polyamide grip GF black.

keyed EK 333	1150-U2-13
keyed different	1150-U4-13

Inserts: Chrome plated zinc alloy

Square 6	1150-U9-13
Square 7	1150-U10-13
Square 8	1150-U11-13
Triangular 6,5 CNOMO	1150-U31-13
Triangular 7	1150-U12-13
Triangular 8	1150-U13-13
Double bit 3	1150-U14-13
Double bit 5	1150-U15-13
Daimler Benz	1150-U16-13
Slot 2x4	1150-U17-13
Hexagon 8 mm female with pin	1150-U18-13
Male hexagon 11 mm	1150-U19-13
Push button	1150-U20-13

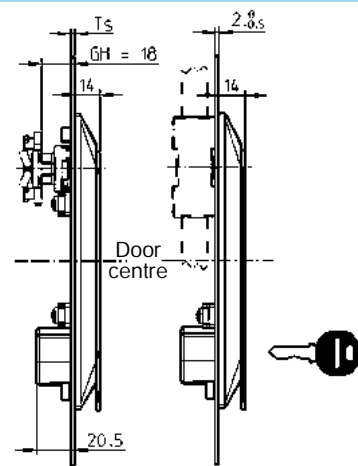
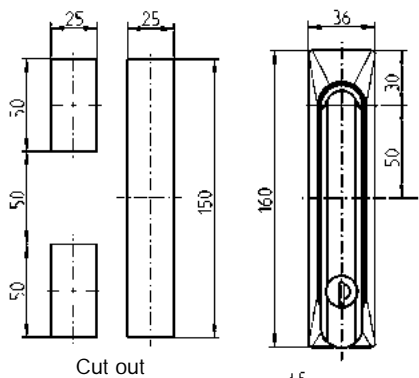
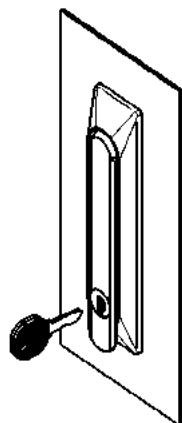
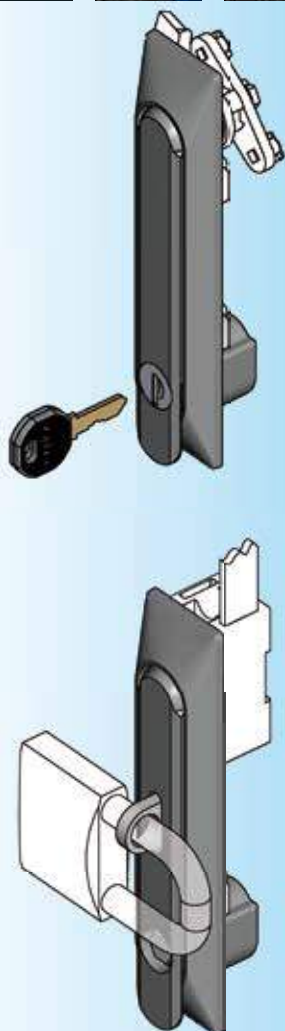
* can be assembled in cut out of 1125/1225

Further parts see page

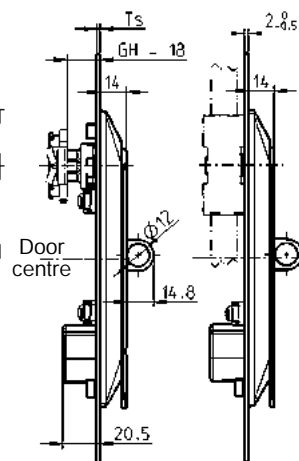
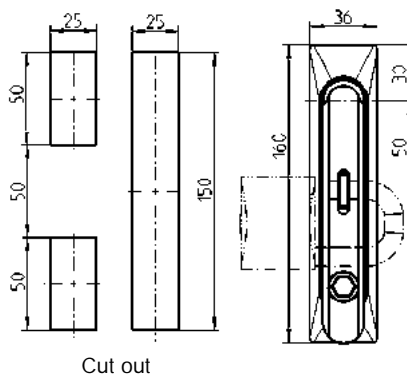
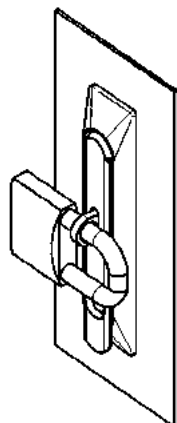
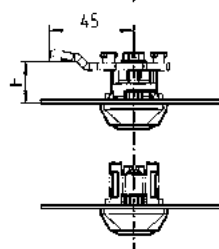
- Fixing material 3C-780
- Cam (GH = 18) 3YC-120
- Rod control 3YA-110
- 3YA-120
- 3YA-140
- Key 12B-120
- Spare key 12B-140

On request:

- Key retained in the unlocked position
- Other inserts
- handle blank (no locking system)



Attention:
Fixing material must be ordered separately!
Ts = 1,0 to 3,0 on choice of fixing material



Swinghandle zinc die black powder coated, dish polyamide black, shaft zinc die zinc plated, with seal, round cylinder zinc die with stainless steel cap and shutter. Each round cylinder has one silver steel key with polyamide grip GF black.

* can be assembled in cut out of 1125/1225

Stainless steel version see page 8A-630 to 6A-634

Further parts see page

- Fixing material 3C-780
- Cam (GH = 18) 3YC-120
- Rod control 3YA-110
- 3YA-120
- 3YA-140
- Key 12B-120
- Spare key 12B-140

On request:

- Key retained in the unlocked position
- Other inserts

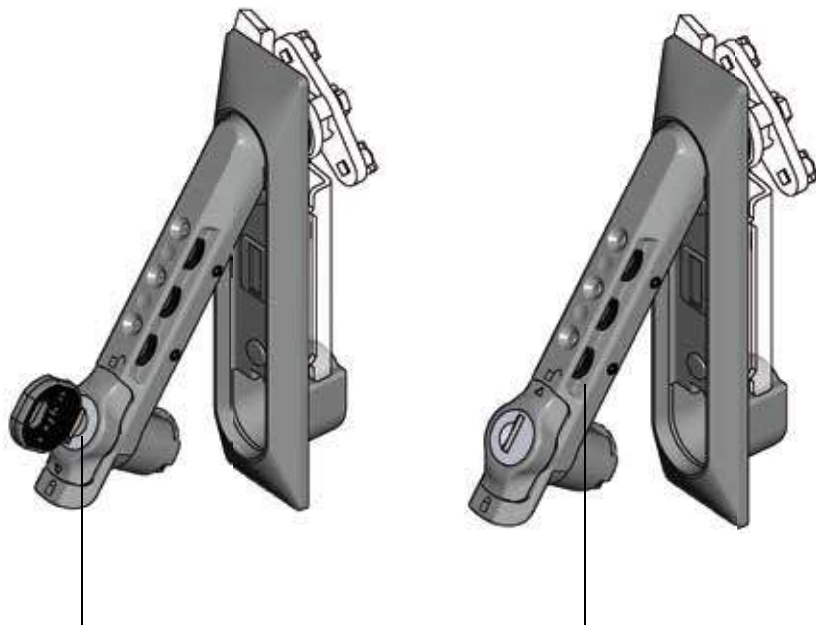
		Push to lock	Push to lock for padlock
keyed EK 333	1150-U33-22	-	-
keyed different	1150-U34-22	-	-
Inserts: Chrome plated zinc alloy			
Square 6	1150-U36-22	1150-U36-30	1150-U36-31
Square 7	1150-U37-22	1150-U37-30	1150-U37-31
Square 8	1150-U38-22	1150-U38-30	1150-U38-31
Triangular 6,5 CNOMO	1150-U39-22	1150-U39-30	1150-U39-31
Triangular 7	1150-U40-22	1150-U40-30	1150-U40-31
Triangular 8	1150-U41-22	1150-U41-30	1150-U41-31
Double bit 3	1150-U42-22	1150-U42-30	1150-U42-31
Double bit 5	1150-U43-22	1150-U43-30	1150-U43-31
Daimler Benz	1150-U44-22	1150-U44-30	1150-U44-31
Slot 2x4	1150-U35-22	1150-U35-30	1150-U35-31
Hexagon 8 mm female with pin	1150-U45-22	1150-U45-30	1150-U45-31
Hexagon male SW 11	1150-U46-22	1150-U46-30	1150-U46-31

Swinghandle* with combination lock for universal dish

PROGRAM 1150

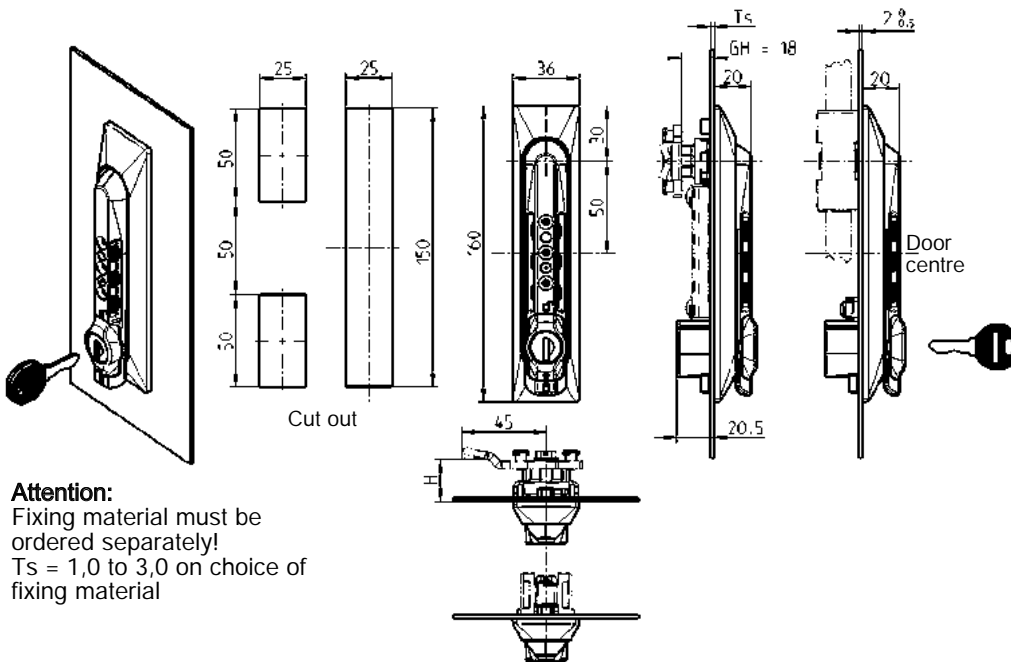
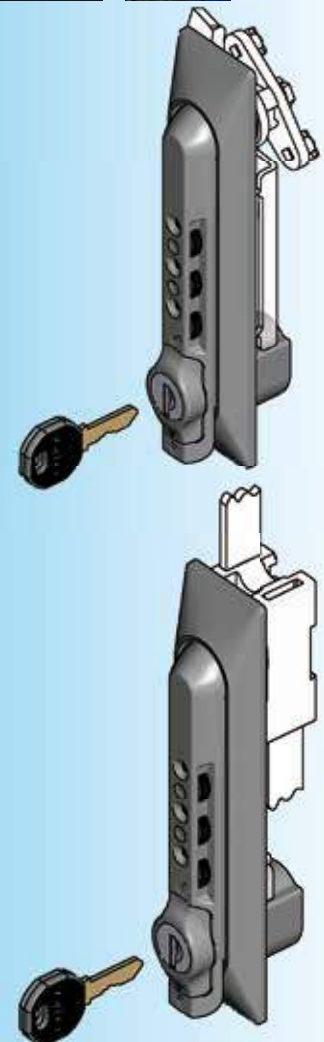
Beschlagteile

Swinghandle with two locking options. For single point or multiple point locking system



Option 1:
Release using round cylinder, operation as with usual swinghandles of program 1150. The combination lock remains untouched.

Option 2:
Release using combination lock and wing knob. The round cylinder remains locked. The arrow on the wing knob indicates the opened or closed position.



Attention:
Fixing material must be ordered separately!
Ts = 1,0 to 3,0 on choice of fixing material

* can be assembled in cut out of 1125/1225

Further parts see page

- Fixing material 3C-780
- Cam (GH = 18) 3YC-120
- Rod control 3YA-110
- 3YA-120
- 3YA-140
- Spare key 12B-140

On request:

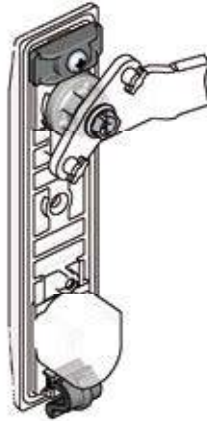
- Key retained in the unlocked position
- Other inserts

Swinghandle polyamide GF black, shaft zinc die zinc plated, with seal, round cylinder with stainless steel cap and shutter. Each round cylinder has one silver steel key with polyamide grip GF black.

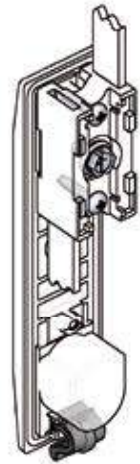
keyed EK 333	1155-U1-11
keyed different	1155-U2-11



Fixing material for swing handle with cam



Fixing material for swing handle with rod control



Hook and fastening module polyamide black, adapter zinc die zinc plated, fixing material m.s. zinc plated

Ts = 1,0	1150-U50-01
Ts = 2,0	1150-U50-02
Ts = 3,0	1150-U50-03

Hook polyamide GF black
Fixing material m.s. zinc plated

Ts = 1,0	-
Ts = 2,0 _{-0.5}	1150-U51-02
Ts = 3,0	-



Fastening module polyamide GF black, adapter zinc die zinc plated, fixing material m.s. zinc plated

Ts = 1,0 to 3,0	1150-U52
-----------------	----------

Fastening module polyamide GF black, fixing material m.s. zinc plated

Ts = 2,0 _{-0.5}	1150-U53
--------------------------	----------



Adapter zinc die zinc plated, fastening plate and fixing material m.s. zinc plated

Ts = 1,0 to 2,0	1150-U54
-----------------	----------

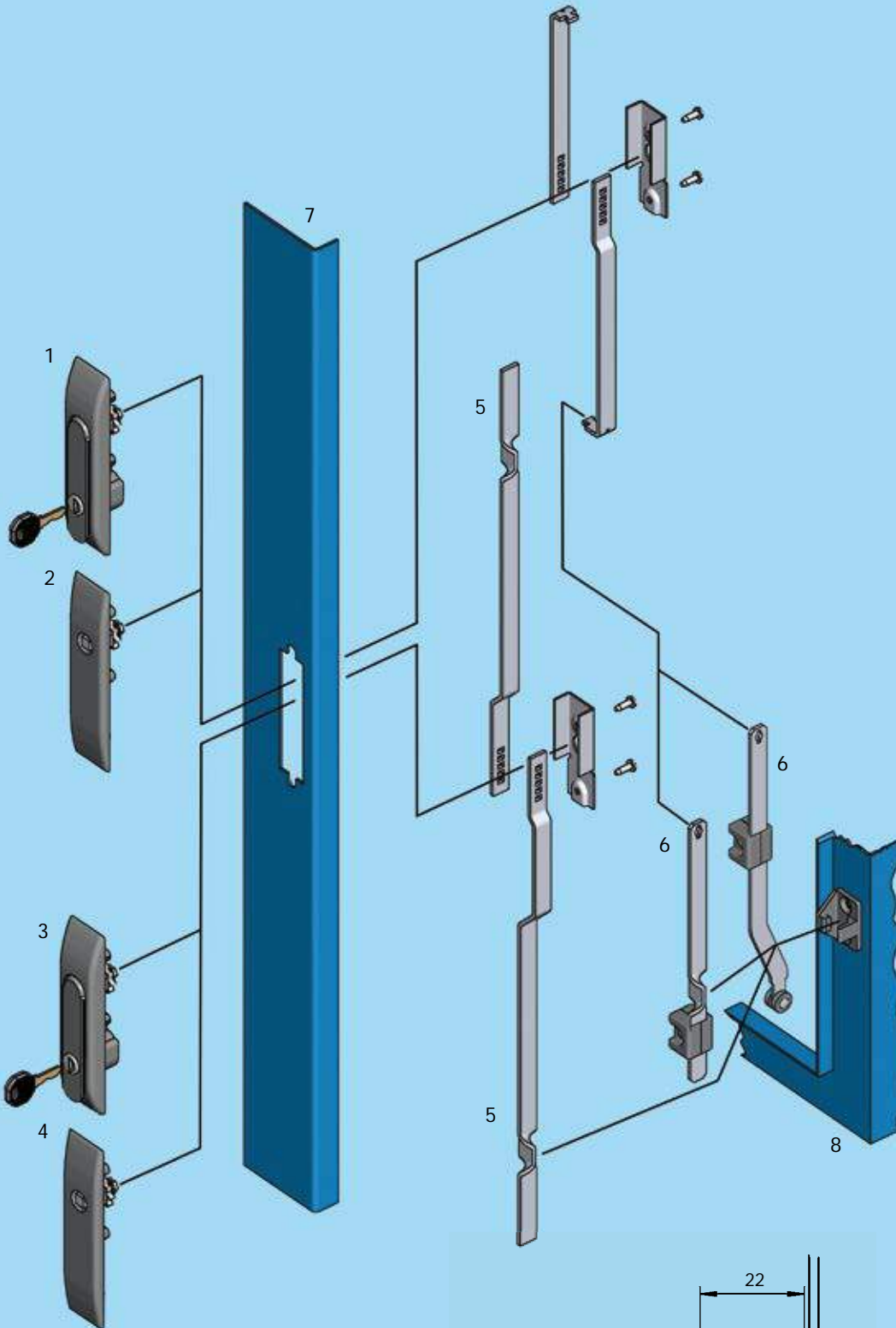
Further parts see page

- Swinghandle with universal escutcheon 3C-720 to 3C-750
- Cam (GH = 18) 3YC-120
- Rod control 3YA-110, 3YA-120, 3YA-140

On request:

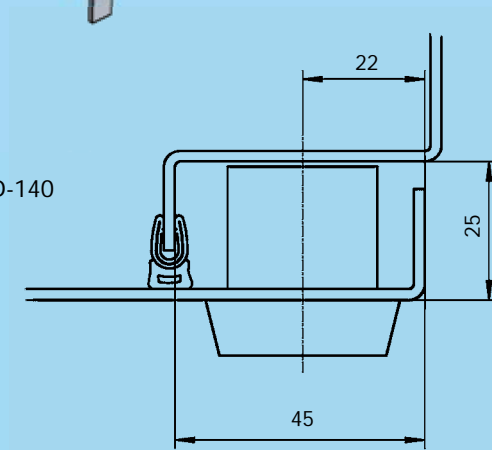
- Other door thicknesses

Swinghandle and escutcheon Program 1160

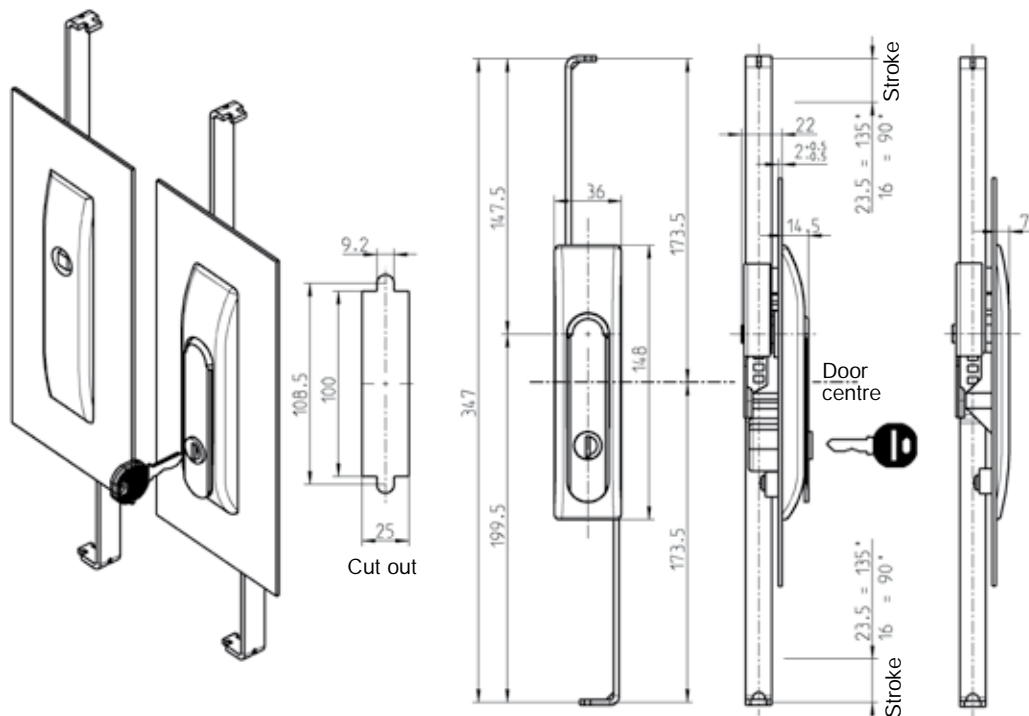


- 1 Swinghandle
- 2 Escutcheon
- 3 Swinghandle
- 4 Escutcheon
- 5 Rod
- 6 Rod
- 7 Door
- 8 Cabinet/frame

3D-120, 3D-140
3D-120
3D-220
3D-220



3D-100



Turn = Stroke
135° = 23,5 mm
90° = 16 mm

Swinghandle zinc die black powder coated, shaft material on choice, rods m.s. zinc plated, fixing material m.s. zinc plated, shaft zinc die zinc plated, with seal, round cylinder zinc die with stainless steel cap and shutter, insert zinc die chrome plated, push button housing polyamide black, push button polyamide grey. Each round cylinder has one silver steel key with polyamide grip GF black.

Escutcheon polyamide GF black, insert zinc die chrome plated, rods m.s. zinc plated, fixing material m.s. zinc plated, with seal

	Escutcheon			
	polyamide	zinc die		
keyed EK 333	1160-U1	1160-U3	with mask	
keyed different	1160-U2	1160-U4	Double bit 3	1160-U52
			Double bit 5	1160-U53
			FIAT	1160-U64
			without mask	
Square 6	1160-U9	1160-U20	Square 6	1160-U54
Square 7	1160-U10	1160-U21	Square 7	1160-U55
Square 8	1160-U11	1160-U22	Square 8	1160-U56
Triangular 6,5 CNOMO	1160-U32	1160-U31	Triangular 6,5 CNOMO	1160-U65
Triangular 7	1160-U12	1160-U23	Triangular 7	1160-U57
Triangular 8	1160-U13	1160-U24	Triangular 8	1160-U58
Double bit 3	1160-U14	1160-U25	Square female 8	1160-U63
Double bit 5	1160-U15	1160-U26	Daimler Benz	1160-U59
Daimler Benz	1160-U16	1160-U27	Slot 2x4	1160-U60
Slot 2x4	1160-U17	1160-U28	Double bit 3	1160-U61
Hexagon female 8 with pin	1160-U18	1160-U29	Double bit 5	1160-U62
Hexagon 11 male	1160-U19	1160-U30	Eastern Europe Ø 13	1160-U66
Push button	1160-U35	1160-U36		

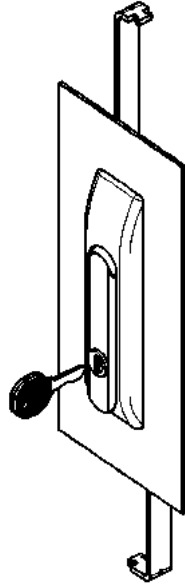
Further parts see page

- Rod
- outside 3ZA-120
- inside 3ZA-320
- 3ZB-120
- 3ZB-220
- Spare key 12B-140

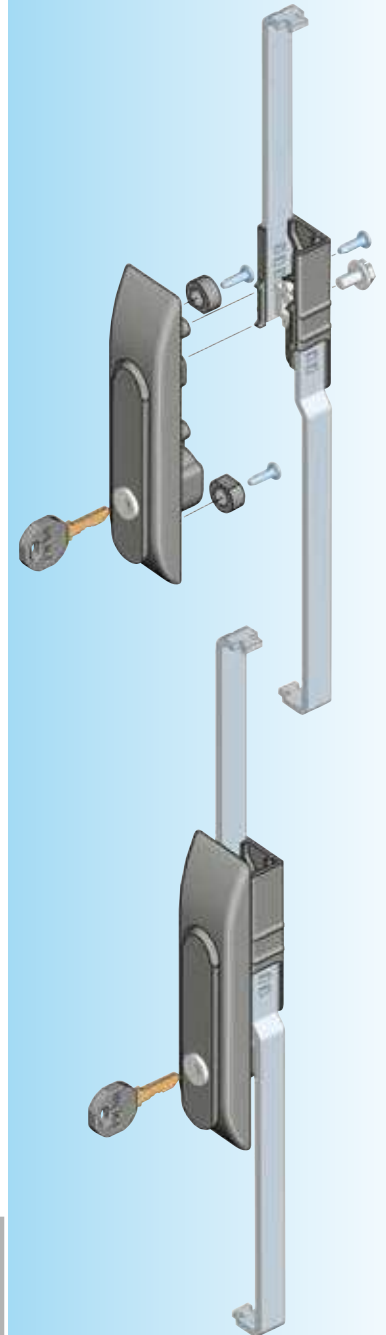
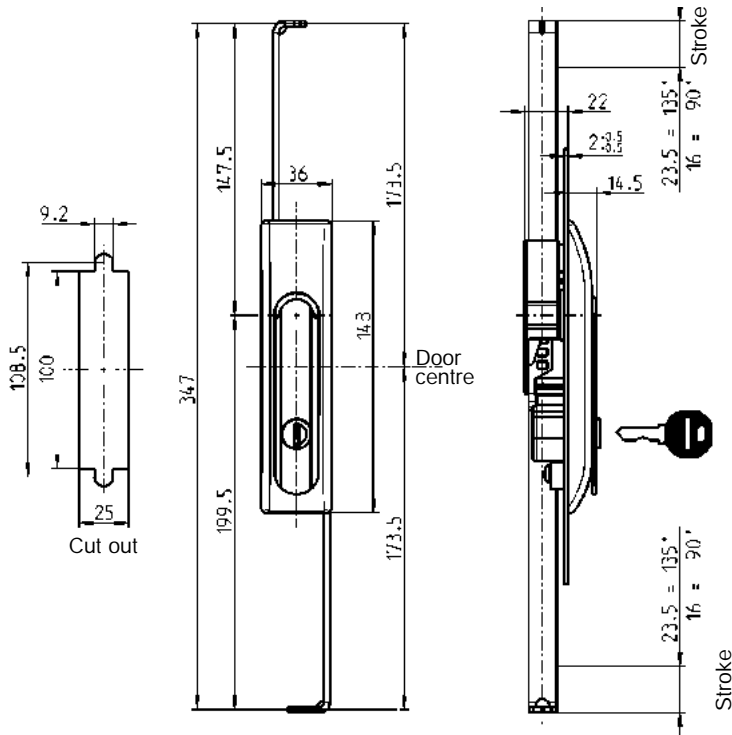
Swinghandle with rods

PROGRAM 1160

Swinghandle for assembled rod control



Turn = Stroke
135° = 23,5 mm
90° = 16 mm



Swinghandle zinc die black powder coated, shaft material on choice, rods m.s. zinc plated, fixing material m.s. zinc plated, shaft zinc die zinc plated, with seal, round cylinder zinc die with stainless steel cap and shutter, insert zinc die chrome plated, push button housing polyamide black, push button polyamide grey.
Each round cylinder has one silver steel key with polyamide grip GF black.

	Escutcheon	
	polyamide	zinc die
keyed EK 333	1160-U201	1160-U203
keyed different	1160-U202	1160-U204
Push button	1160-U235	1160-U236
Rod control polyamide GF black, rods m.s. zinc plated		
RH version		1160-U200-RE
LH version		1160-U200-LI

Further parts see page

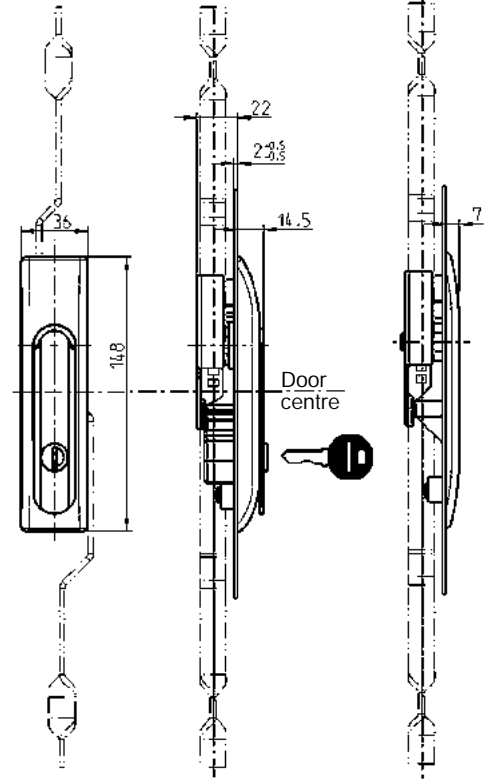
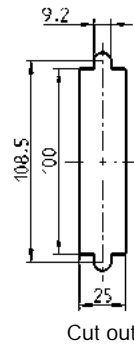
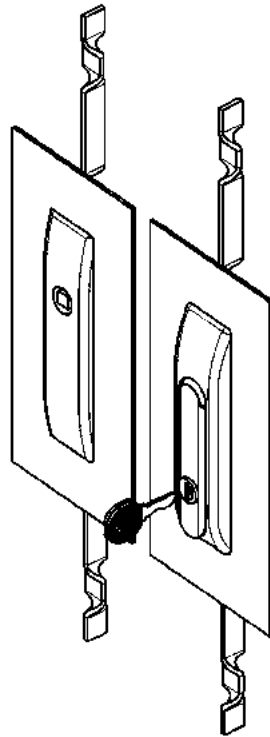
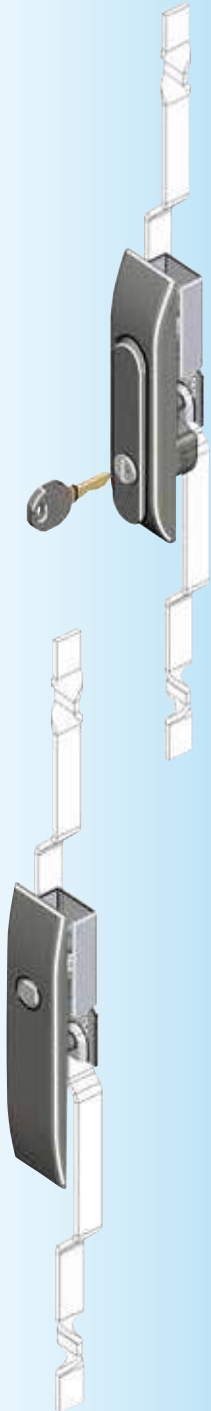
- Rod
- outside 3ZA-120
- inside 3ZA-320
- inside 3ZB-120
- inside 3ZB-220
- Spare key 12B-140

Info

1 Quarter turns

2 Rod controls

3 Locking systems



Swinghandle zinc die black powder coated, escutcheon material on choice, fixing material m.s. zinc plated, shaft zinc die zinc plated, with seal, round cylinder zinc die with stainless steel cap and shutter, insert zinc die chrome plated, push button housing polyamide black, push button polyamide grey. Each round cylinder has one silver steel key with polyamide grip GF black.

Escutcheon polyamide GF black, insert zinc die chrome plated, rods m.s. zinc plated, fixing material m.s. zinc plated, with seal

Further parts see page

- Rod 3ZA-420
- Spare key 12B-140

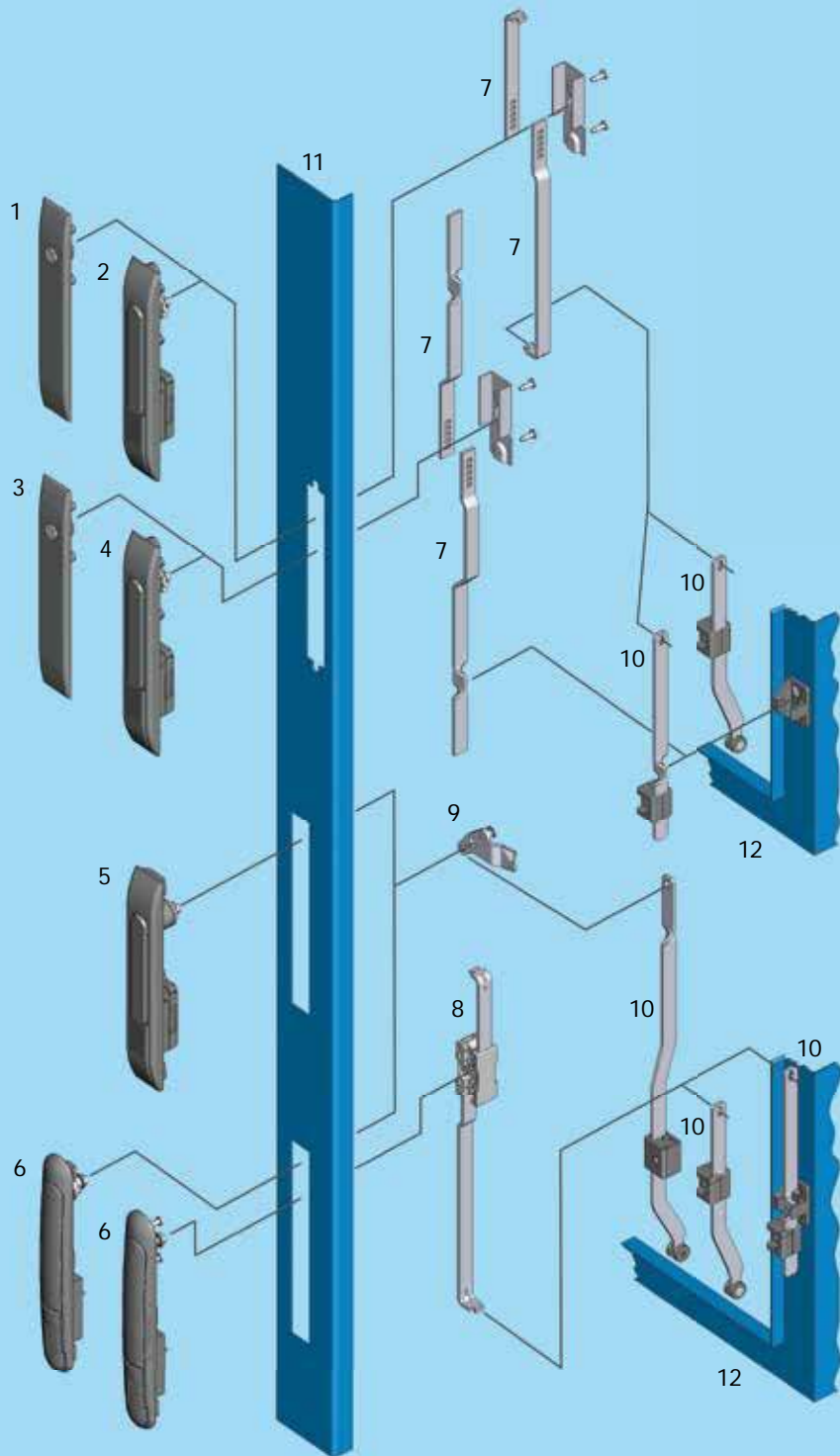
	Escutcheon	
	polyamide	zinc die
keyed EK 333	1160-U101	1160-U103
keyed different	1160-U102	1160-U104

with mask	
Double bit 3	1160-U152
Double bit 5	1160-U153
FIAT	1160-U164

Square 6	1160-U109	1160-U120
Square 7	1160-U110	1160-U121
Square 8	1160-U111	1160-U122
Triangular 6,5 CNOMO	1160-U132	1160-U131
Triangular 7	1160-U112	1160-U123
Triangular 8	1160-U113	1160-U124
Double bit 3	1160-U114	1160-U125
Double bit 5	1160-U115	1160-U126
Daimler Benz	1160-U116	1160-U127
Slot 2x4	1160-U117	1160-U128
Hexagon female 8 with pin	1160-U118	1160-U129
Hexagon 11 male	1160-U119	1160-U130
Push button	1160-U135	1160-U136

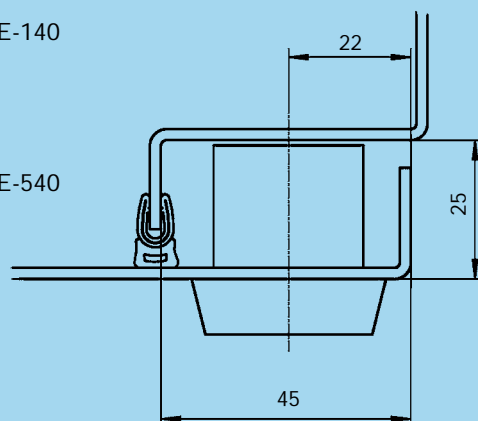
without mask	
Square 6	1160-U154
Square 7	1160-U155
Square 8	1160-U156
Triangular 6,5 CNO-MO	1160-U165
Triangular 7	1160-U157
Triangular 8	1160-U158
Square female 8	1160-U163
Daimler Benz	1160-U159
Slot 2x4	1160-U160
Double bit 3	1160-U161
Double bit 5	1160-U162
Eastern Europe Ø 13	1160-U166

Swinghandle and escutcheon Program 1180

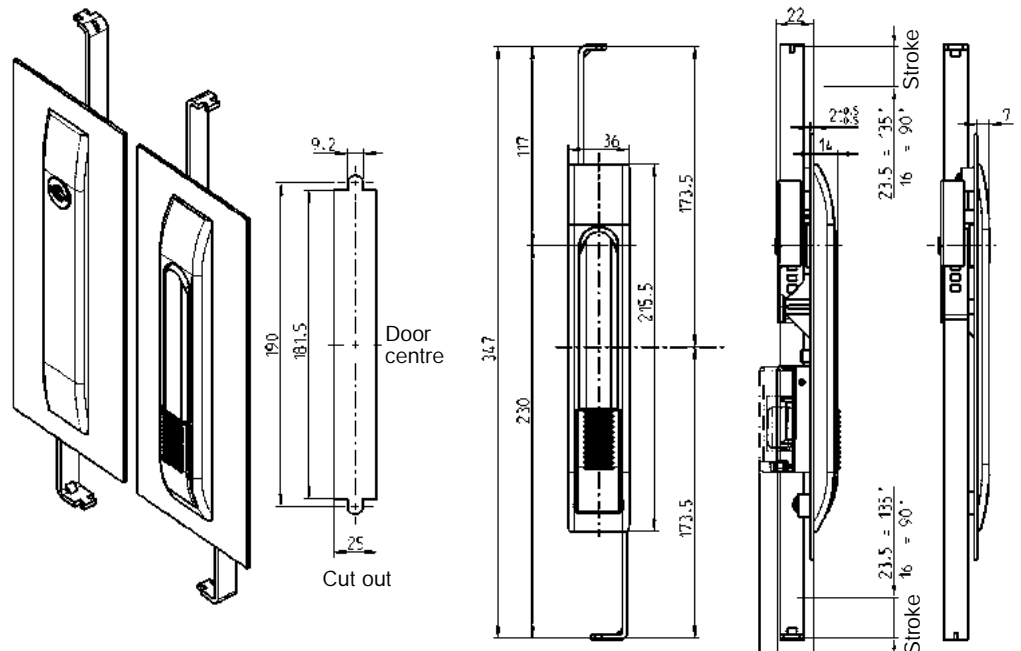
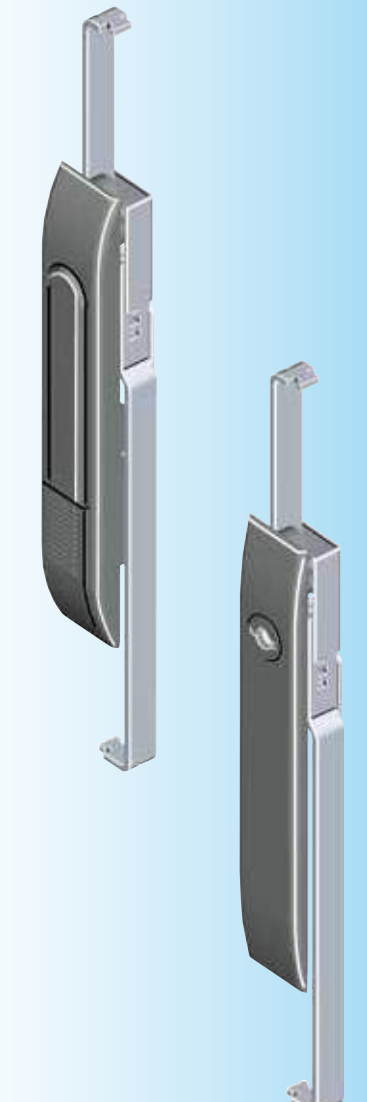


- 1 Escutcheon
- 2 Swinghandle 1180
- 3 Escutcheon
- 4 Swinghandle 1180
- 5 Swinghandle 1180
- 6 Swinghandle 1185
- 7 Rod
- 8 Rod control
- 9 Cam
- 10 Rod
- 11 Door
- 12 Cabinet/frame

- 3E-120
- 3E-120, 3E-140
- 3E-220
- 3E-220
- 3E-320
- 3E-520, 3E-540



3E-100



Turn = Stroke
135° = 23,5 mm
90° = 16 mm

Swinghandle polyamide GF black with push button (2100-U57), handle zinc die black, shaft zinc die zinc plated, rods m.s. zinc plated, fixing material m.s. zinc plated, with seal

1180-U1

Escutcheon polyamide GF black, insert zinc die chrome plated, rods m.s. zinc plated, fixing material m.s. zinc plated, with seal

with mask

Double bit 3

1180-U2

Double bit 5

1180-U3

FIAT

1180-U14

without mask

Square 6

1180-U4

Square 7

1180-U5

Square 8

1180-U6

Triangular 6,5 CNOMO

1180-U15

Triangular 7

1180-U7

Triangular 8

1180-U8

Square female 8

1180-U13

Daimler Benz

1180-U9

Slot 2x4

1180-U10

Double bit 3

1180-U11

Double bit 5

1180-U12

Eastern Europe Ø 13

1180-U16

Further parts see page

- Key 12B-120

- Locking set 3XA-120

3XA-240

- Locking set ELM Chapter 11

- Rod

outside 3ZA-120

3ZA-320

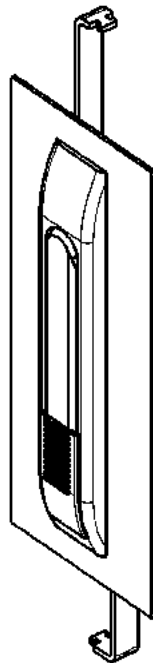
inside 3ZB-120

3ZB-220

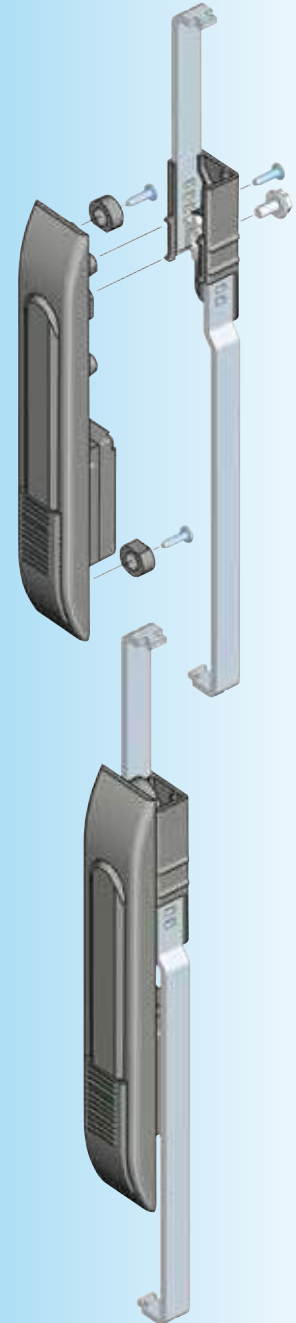
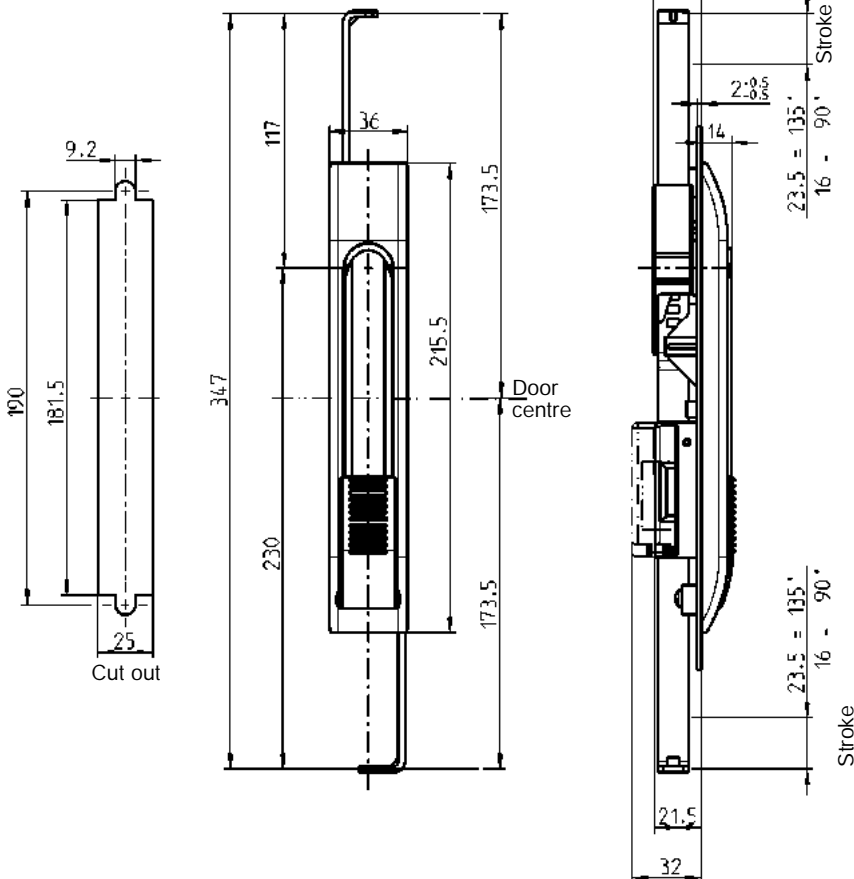
Swinghandle 1180 with rods

PROGRAM 1180

Swinghandle for assembled rod control



Turn = Stroke
135° = 23,5 mm
90° = 16 mm



Swinghandle polyamide GF black with push button (2100-U57), handle zinc die black powder coated, shaft zinc die zinc plated, fixing material m.s. zinc plated, with seal

1180-U301

Rod control polyamide GF black, rods m.s. zinc plated

RH version

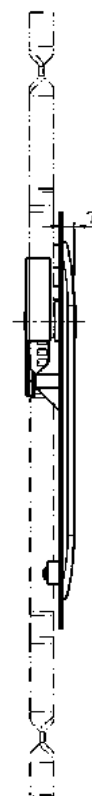
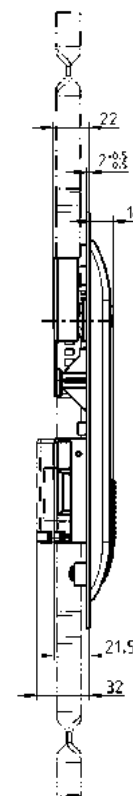
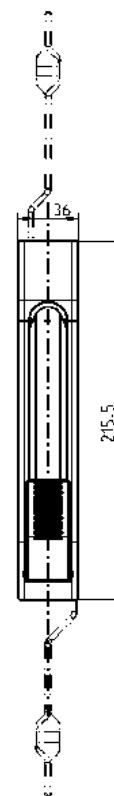
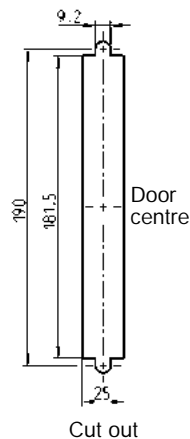
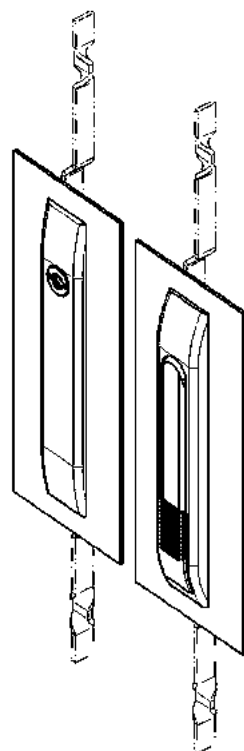
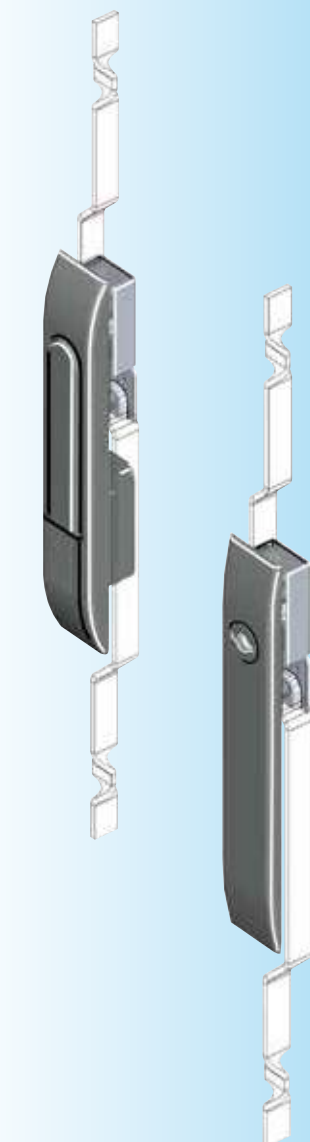
1180-U200-RE

LH version

1180-U200-LI

Further parts see page

- Locking set 3XA-120
3XA-240
- Locking set ELM Chapter 11
- Rod
- outside 3ZA-120
3ZA-320
- inside 3ZB-120
3ZB-220



Swinghandle polyamide GF black with push button (2100-U57), handle zinc die black powder coated, shaft zinc die zinc plated, fixing material m.s. zinc plated, with seal

1180-U101

Escutcheon polyamide black, insert zinc die chrome plated, fixing material m.s. zinc plated, with seal

with mask

Double bit 3

1180-U102

Double bit 5

1180-U103

FIAT

1180-U114

without mask

Square 6

1180-U104

Square 7

1180-U105

Square 8

1180-U106

Triangular 6,5 CNOMO

1180-U115

Triangular 7

1180-U107

Triangular 8

1180-U108

Square female 8

1180-U113

Daimler Benz

1180-U109

Slot 2x4

1180-U110

Double bit 3

1180-U111

Double bit 5

1180-U112

Eastern Europe Ø 13

1180-U116

Further parts see page

- Key 12B-120

- Locking set 3XA-120

3XA-240

- Locking set ELM Chapter 11

- Rod

outside

3ZA-520

Swinghandle 1180 for 3-point-locking system

PROGRAM 1180

EMKA



Info

1 Quarter turns

2 Rod controls

3 Locking systems

Beschlagteile

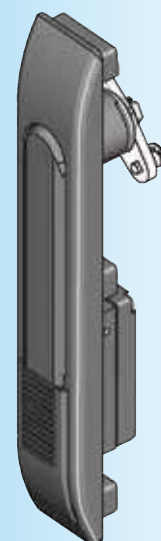
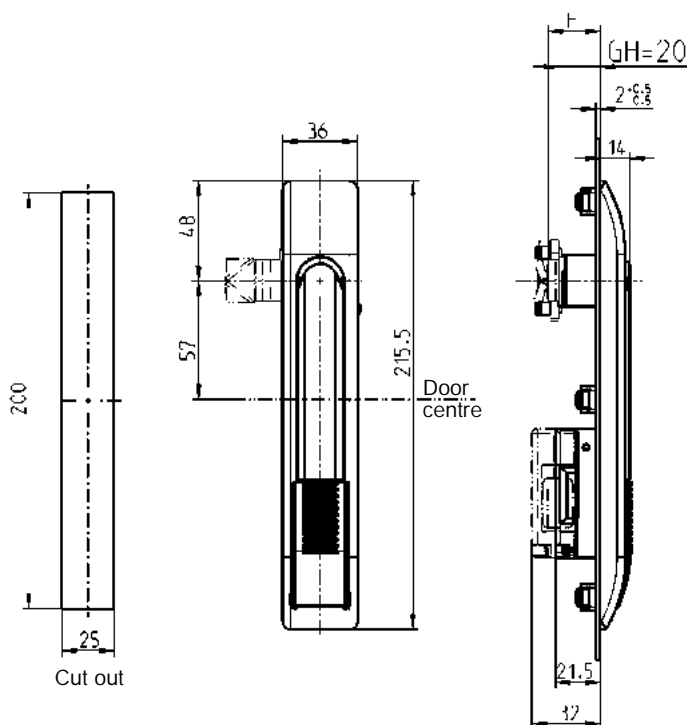
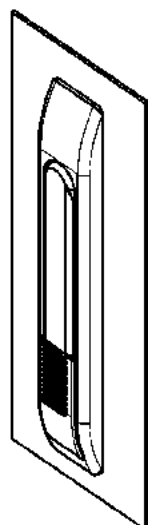


RL

IP 54



ELM



Swinghandle polyamide GF black with push-button (2100-U57), handle zinc die black, powder coated shaft zinc die zinc plated, fixing material m.s. zinc plated, fixing bridges polyamide GF. black, with seal.

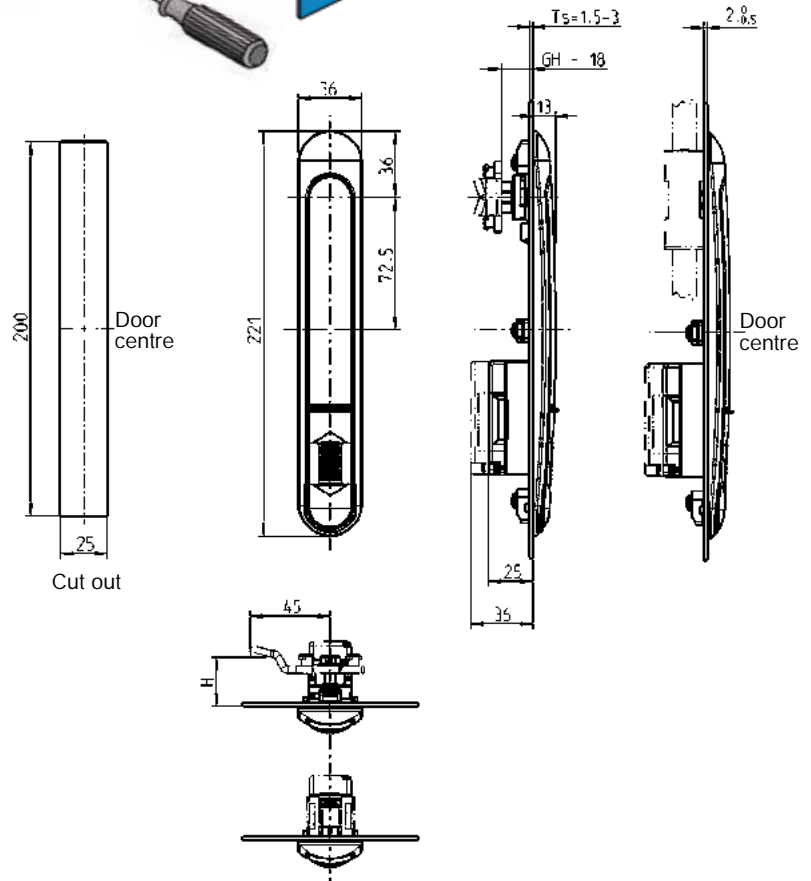
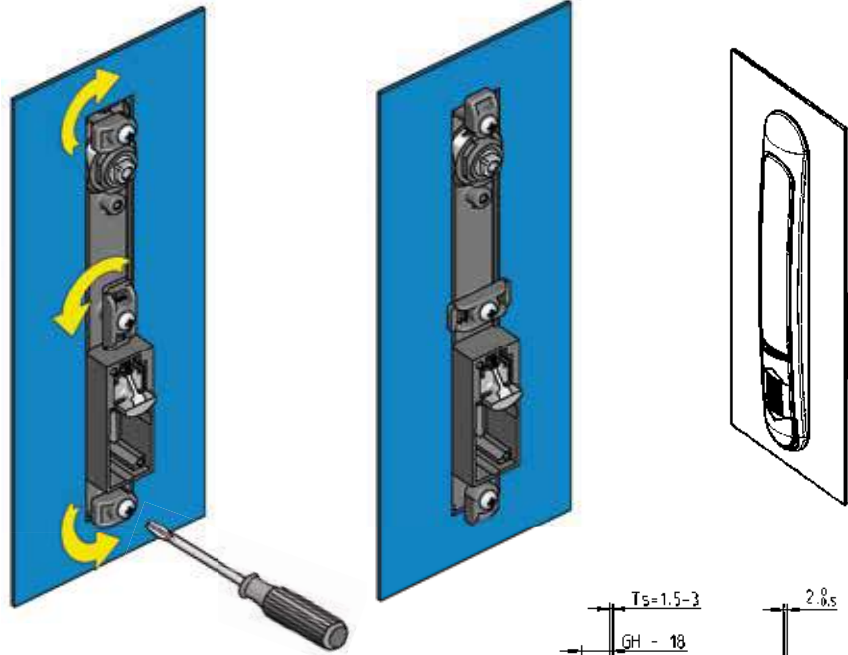
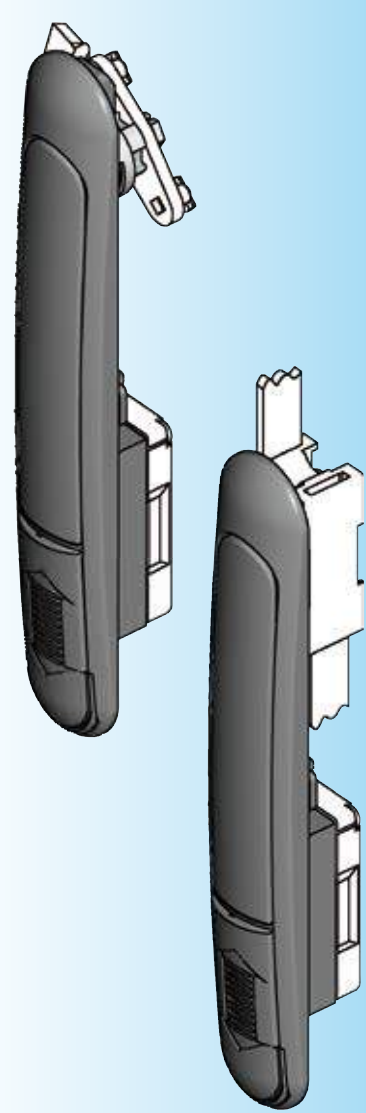
1180-U201

Further parts see page

- Locking set 3XA-120
- 3XA-240
- Locking set ELM Chapter 11
- Cam (GH = 20) 3YC-140

Swinghandle 1185 for cam or rod control PROGRAM 1180

A 90° turn with pre-assembled fixing bridges will secure handle



Note:
Swinghandle without locking set

Further parts see page

- Locking set 3XA-120
- 3XA-140
- Locking set ELM Chapter 11
- cam (stroke = 26) 3YC-120
- Rod control 3YA-480

Swinghandle polyamide GF black, shaft zinc die zinc plated,
fixing material m.s. zinc plated, with seal

for cam	1185-U1
for rod control	1185-U2

Swinghandle with push button 1185 for cam or rod control

PROGRAM 1180

EMKA

®

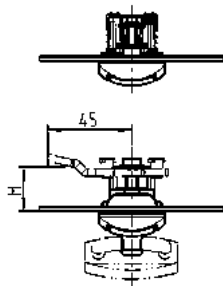
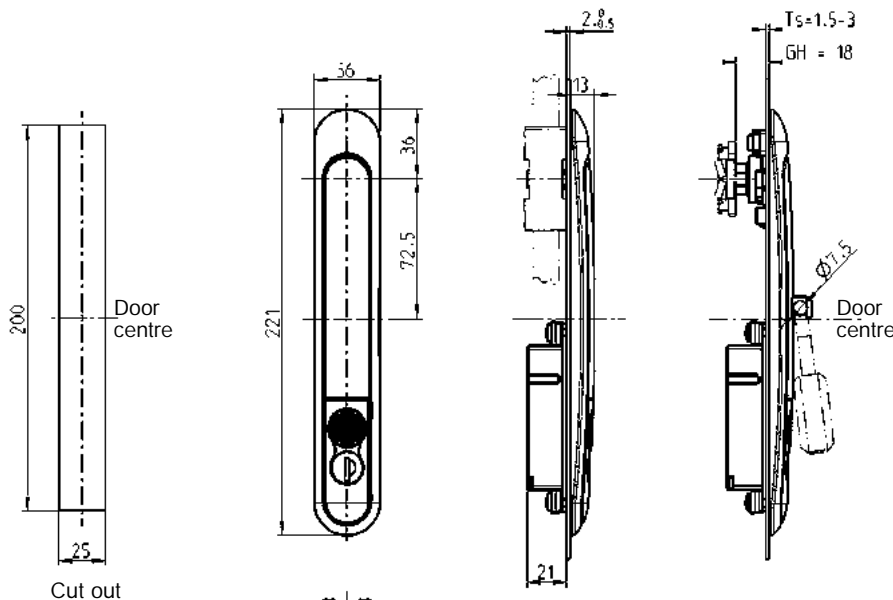
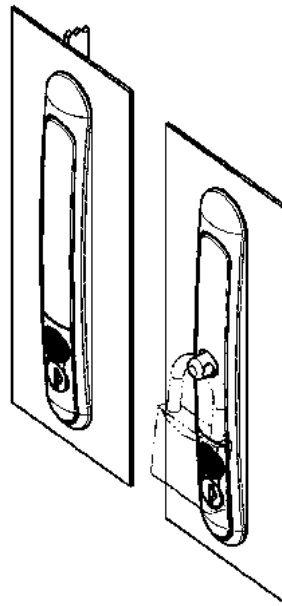
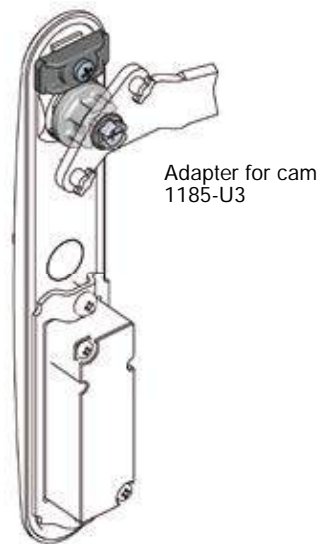
Info

1 Quarter turns

2 Rod controls

3 Locking systems

Beschlagteile



Product benefits

- Use of rod control or cam possible
- Protection against vandalism by recessed operating elements
- Additional locking possible by means of a padlock

Swinghandle for rod control
Handle, escutcheon and pushbutton zinc die black powder coated;
padlock stud AISI 303;
shaft zinc die; round cylinder zinc die with stainless steel cap and dust cap;
fixing material stainless steel; with seal.
Each round cylinder has one key m.s. nickel plated.

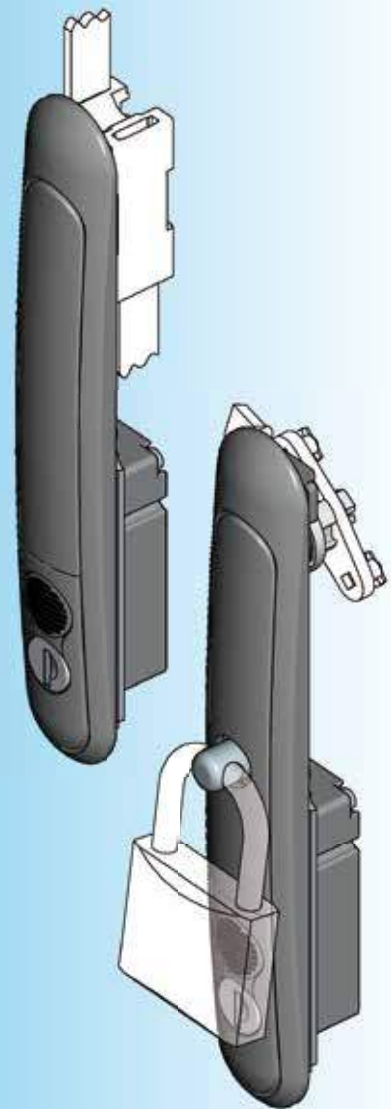
keyed EK 333	1185-U4
keyed different	1185-U4-V
keyed EK 333 and for padlock	1185-U5
different closing and for padlock	1185-U5-V

Adapter for cam zinc die zinc plated; bridge polyamide GF VO black;
with fixing material

1185-U3

Further parts see page

– cam (stroke = 26) 3YC-120
– Rod control 3YA-480



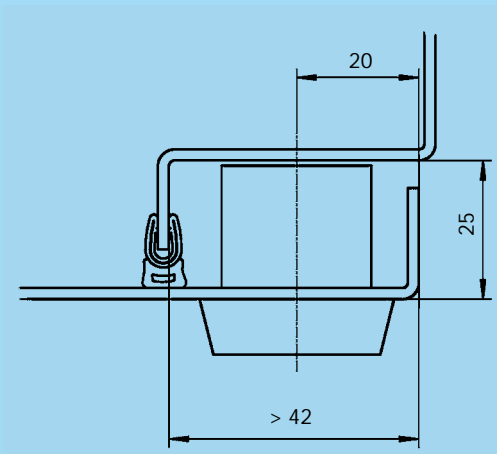
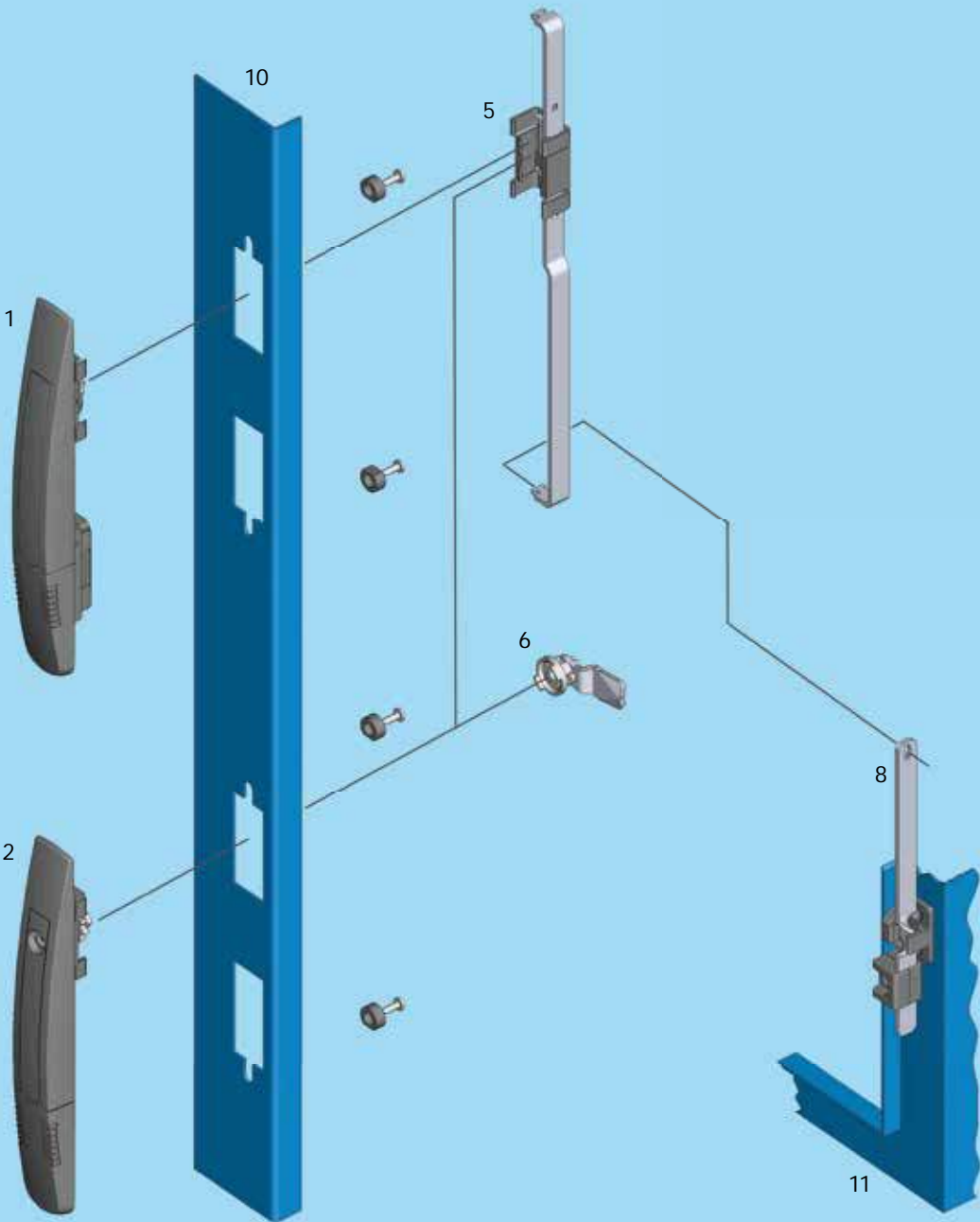
Lifthandle and escutcheon Program 1190

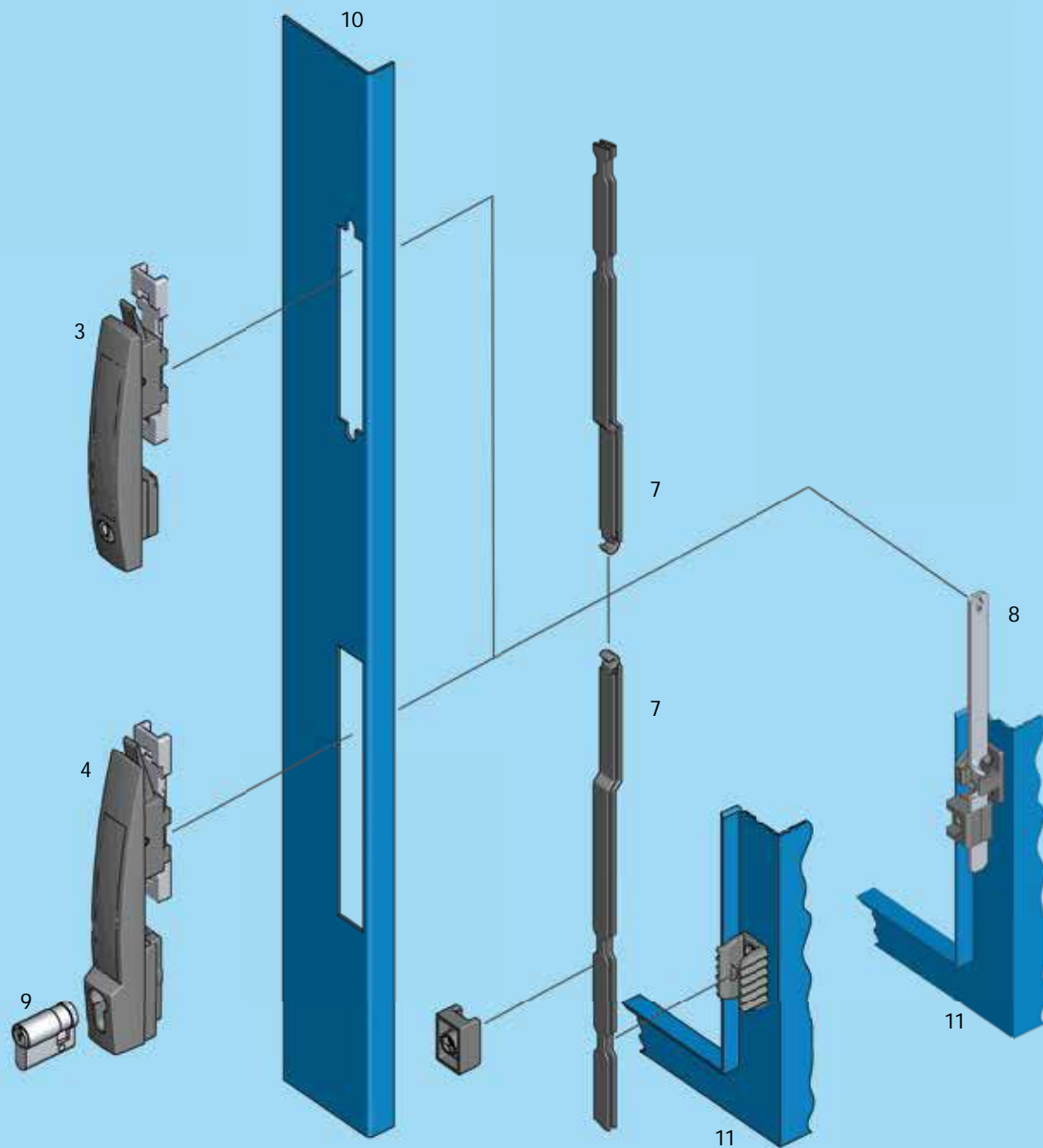
Info

1 Quarter turns

2 Rod controls

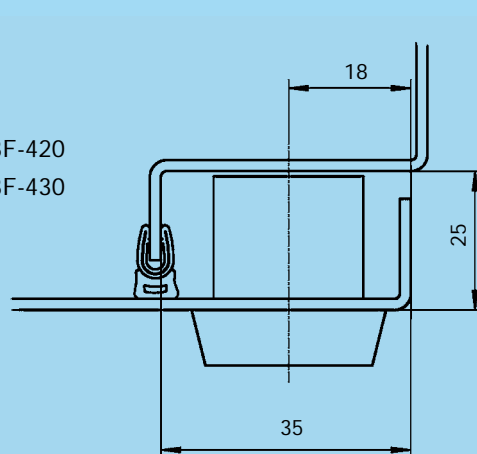
3 Locking systems





- 1 Lifthandle
- 2 Escutcheon
- 3 Lifthandle
- 4 Lifthandle
- 5 Rod
- 6 Cam
- 7 Rod
- 8 Rod
- 9 Profile half cylinder
- 10 Door
- 11 Cabinet/frame

3F-120
 3F-220
 3F-320, 3F-420
 3F-330, 3F-430



3F-100

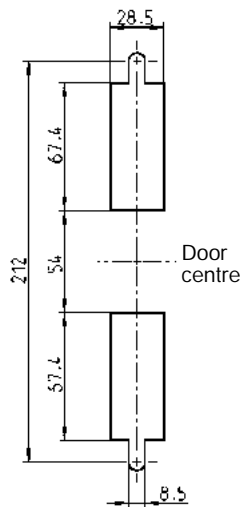
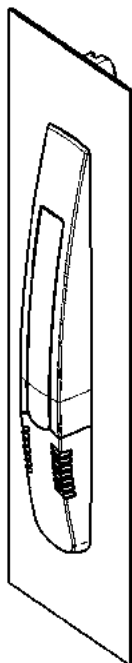
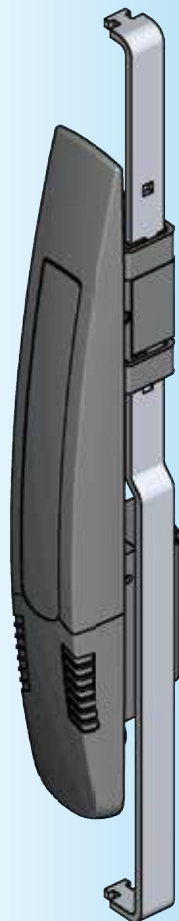


Info

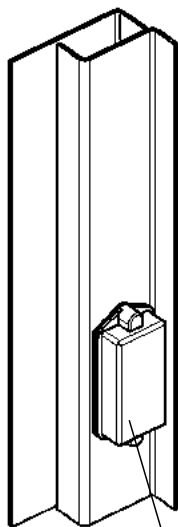
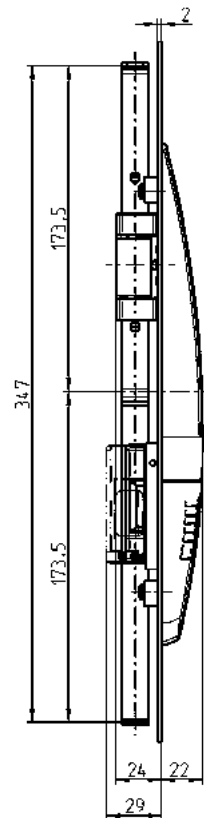
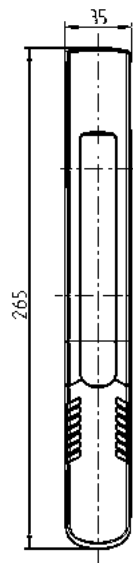
1 Quarter turns

2 Rod controls

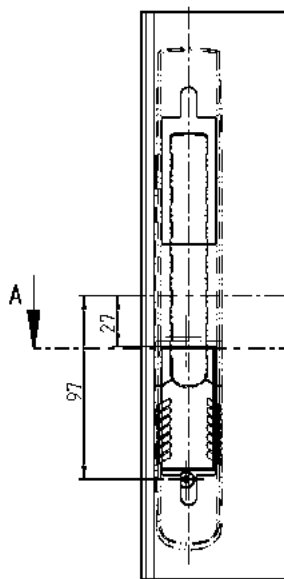
3 Locking systems



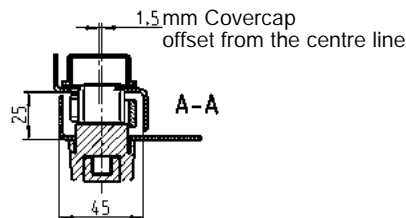
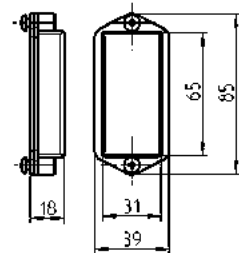
Cut out



Frame-cover suitable for use outside the seal



Cut out



Note:
Frame-cover necessary only for kit see catalogue page 3XA-120

Stroke of rod one direction

Stroke 18 mm

Further parts see page

– Locking set 3XA-120
3XA-240

– Rod

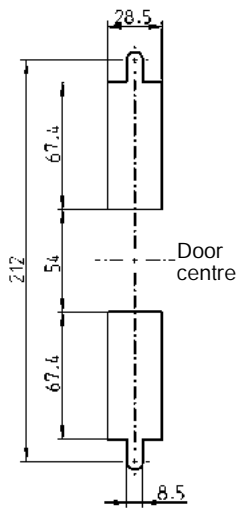
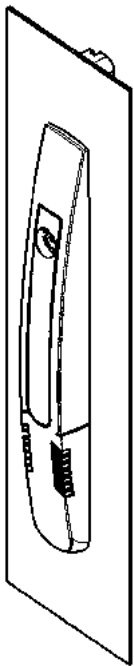
outside 3ZA-120
3ZA-320

Lifthandle polyamide GF black, flat rod m.s. zinc plated, push button polyamide black, fixing material m.s. zinc plated

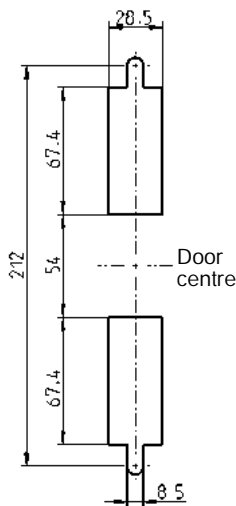
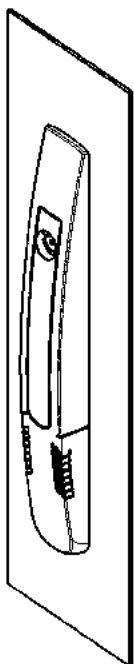
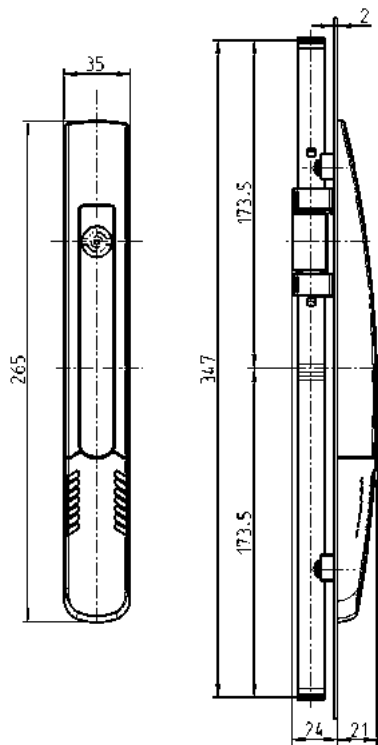
1190-U1

Frame-cover polyamide GF black, screws m.s. zinc pl., for door LH and RH version, with seal

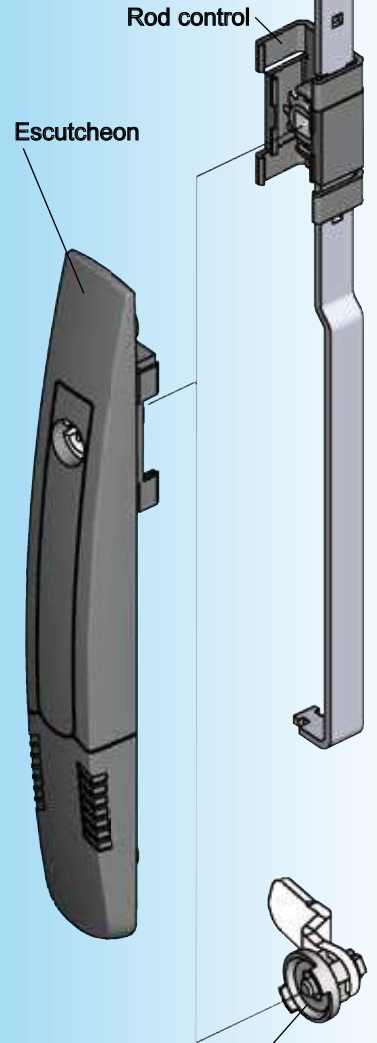
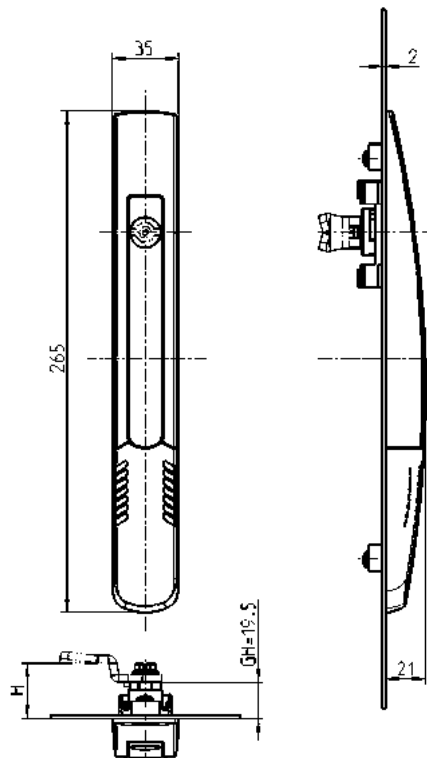
2100-U31



Cut out



Cut out




Adapter for cam m.s.

Stroke of rod one direction

Stroke 23,5 mm

Further parts see page

– Rod

 outside

3ZA-120

3ZA-320

– Insert

1B-140

– Cam (GH=18)

1C-120

Note:

When using an adapter for cam the H-dimension is 1,5 mm larger

Escutcheon polyamide GF black, fixing material m.s. zinc plated

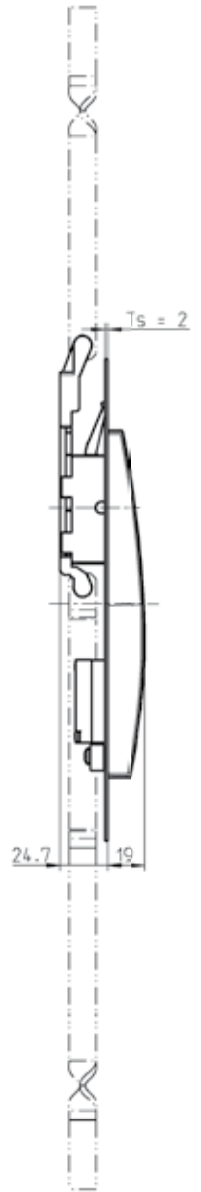
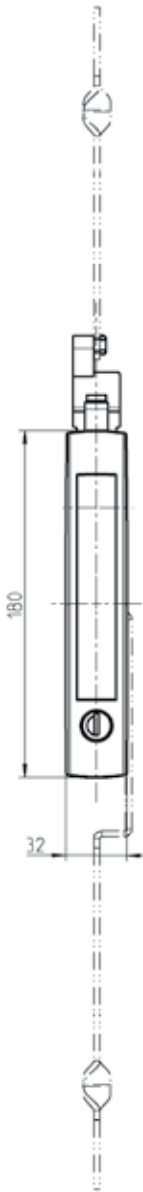
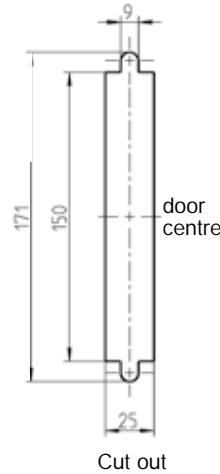
1190-U3

Rod control polyamide GF black, rods m.s. zinc plated

1190-U4

Adapter for cam Zinc die m.s. die cast, screw m.s. zinc plated

1190-U5




Rod movement is unidirectional

Stroke 18 mm

Further parts see page

– Rod

 outside

3ZA-560

Lift handle polyamide GF black,
rod control zinc die,
screw m.s. zinc plated, round cylinder with stainless steel cap and dust cap.
Each round cylinder has one silver steel key with polyamide grip GF black.

keyed EK 333

1190-U206

keyed different

1190-U206-V

Insert zinc die chrome plated

Square 6

1190-U209

Square 7

1190-U210

Square 8

1190-U211

Triangular 6.5 CNOMO

1190-U231

Triangular 7

1190-U212

Triangular 8

1190-U213

Double bit 3

1190-U214

Double bit 5

1190-U215

Daimler Benz

1190-U216

Slot 2x4

1190-U217

Hexagon female SW 8 with pin

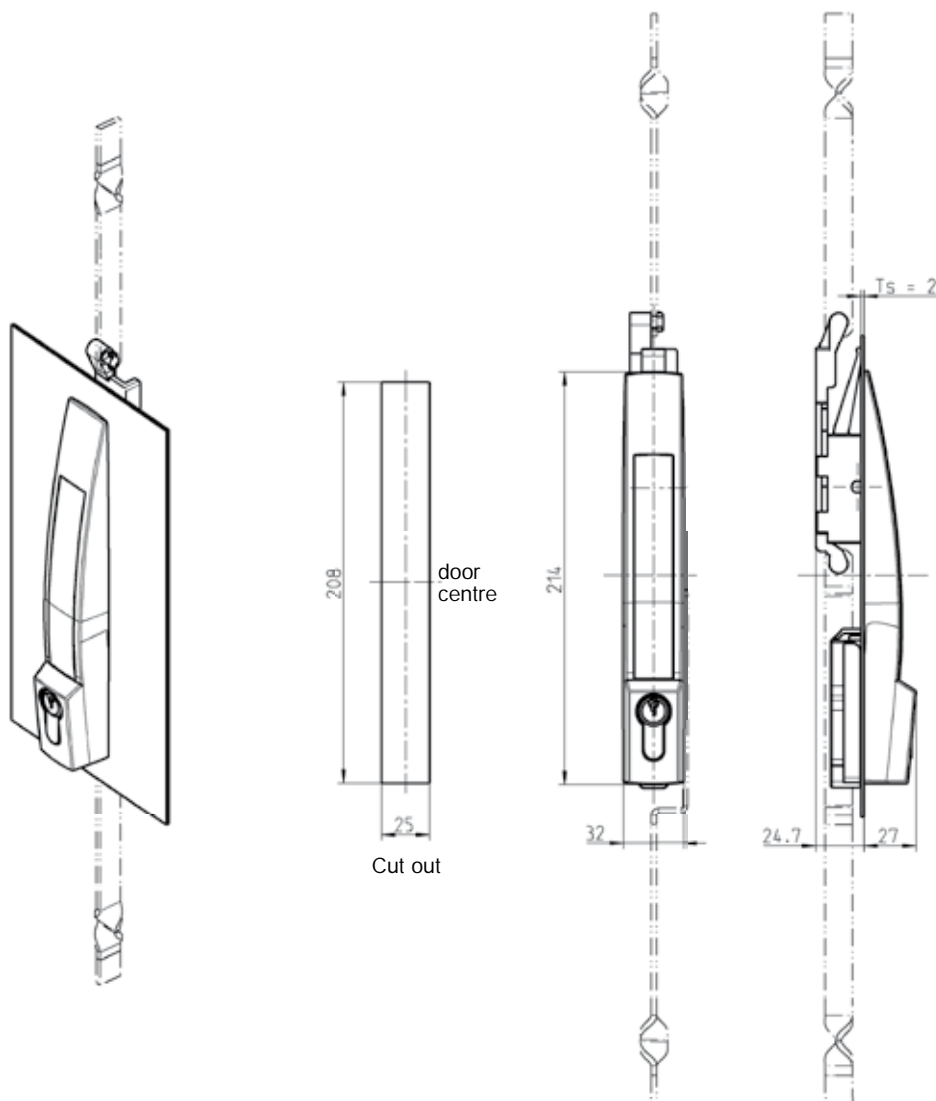
1190-U218

Hexagon male SW 11

1190-U219

Lift handle lock

PROGRAM 1190



Note:
 profile half cylinder 40 mm (A = 30mm),
 set cam at 11 o'clock.

Rod movement is unidirectional

Stroke 18 mm

Further parts see page

– Rod

outside

3ZA-560

– Profile half cylinder

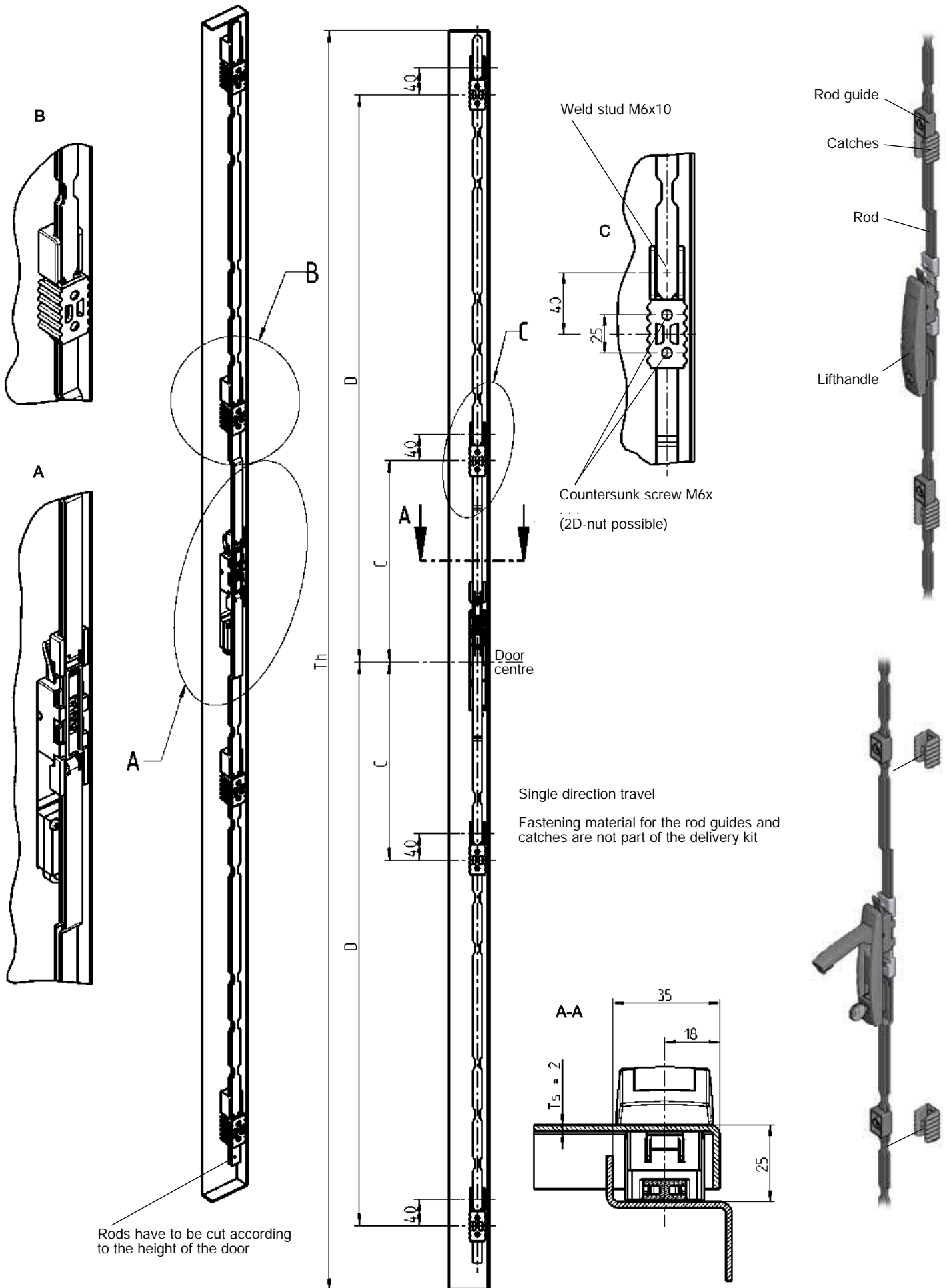
3XB-320

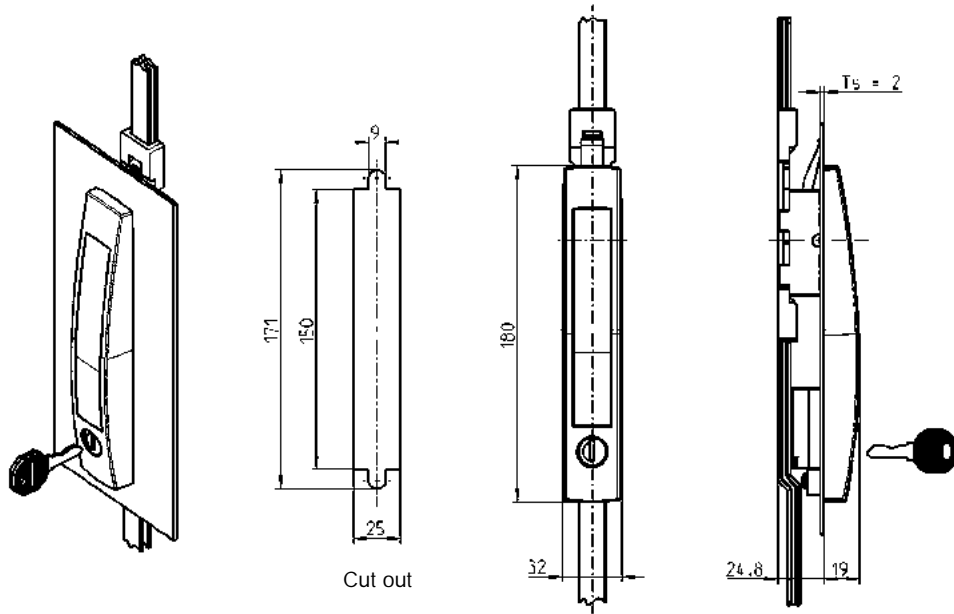
Lift handle polyamide GF black,
 rod control zinc die, screw m.s. zinc plated

1190-U306

Complete lifthandle locking system

PROGRAM 1190





Cut out

Lifthandle polyamide GF black, rod control zinc die, 2 rods polyamide GF black, number on choice, clip in rod guide plastic black for weld stud M6x10, number on choice, catch polyamide GF black for countersunk screw M6, screw m.s. zinc plated, round cylinder with stainless steel cap and dust protection.

Each round cylinder has one silver steel key with polyamide grip GF black.

Quantity rod guides and catches	2	4
keyed EK 333	1190-U7	1190-U6
keyed different	1190-U7-V	1190-U6-V

Inserts: Chrome plated zinc alloy

Square 6	1190-U20	1190-U9
Square 7	1190-U21	1190-U10
Square 8	1190-U22	1190-U11
Triangular 6,5 CNOMO	1190-U32	1190-U31
Triangular 7	1190-U23	1190-U12
Triangular 8	1190-U24	1190-U13
Double bit 3	1190-U25	1190-U14
Double bit 5	1190-U26	1190-U15
Daimler Benz	1190-U27	1190-U16
Slot 2x4	1190-U28	1190-U17
Hexagon 8 mm female with pin	1190-U29	1190-U18
Male hexagon 11 mm	1190-U30	1190-U19

Height of the door Th	Dim. C	Dim. D
800 - 1200	-	300
1200 - 1600	-	450
1600 - 1900	300	700
1900 - 2200	300	850



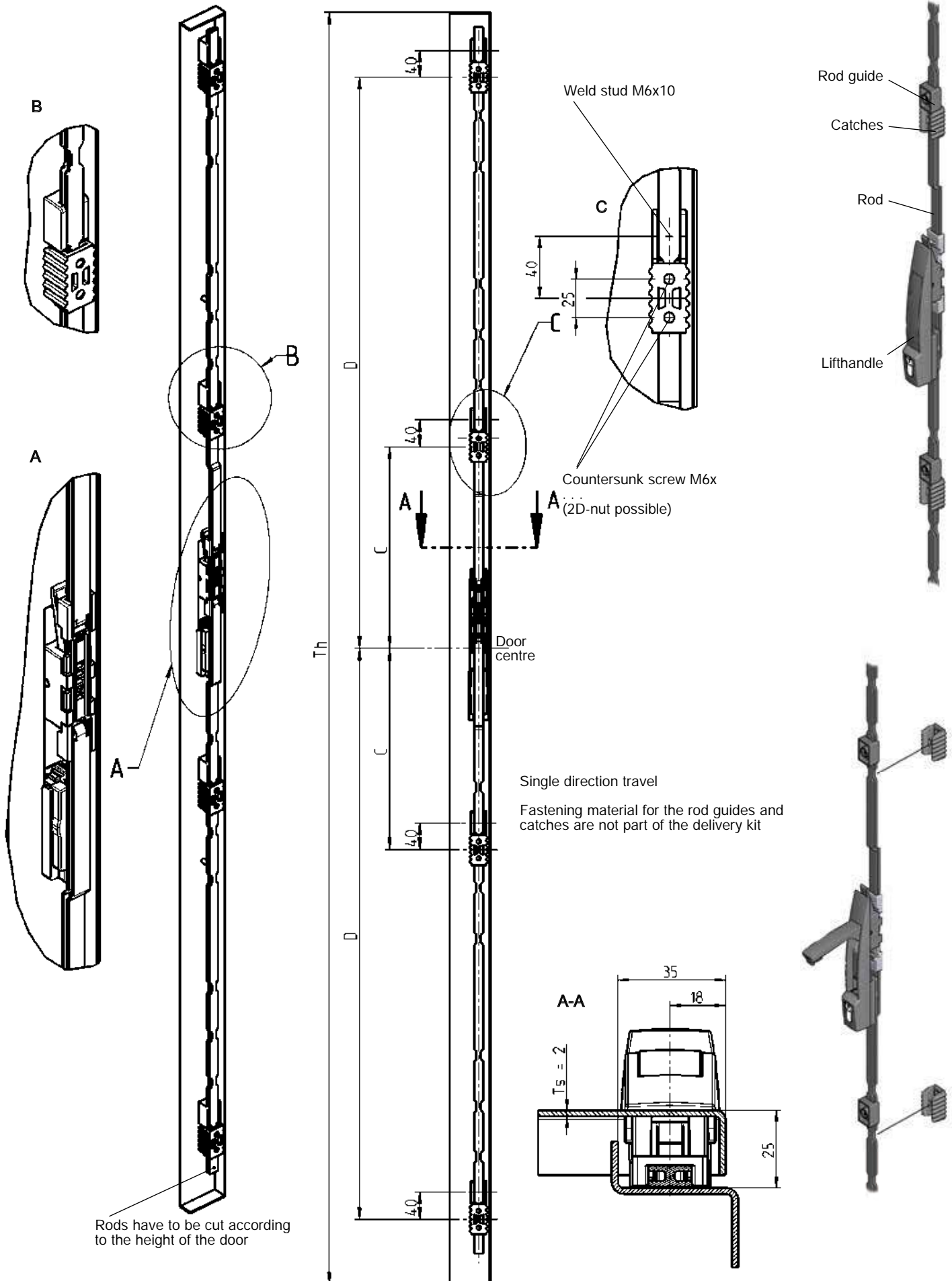
Stroke 18 mm

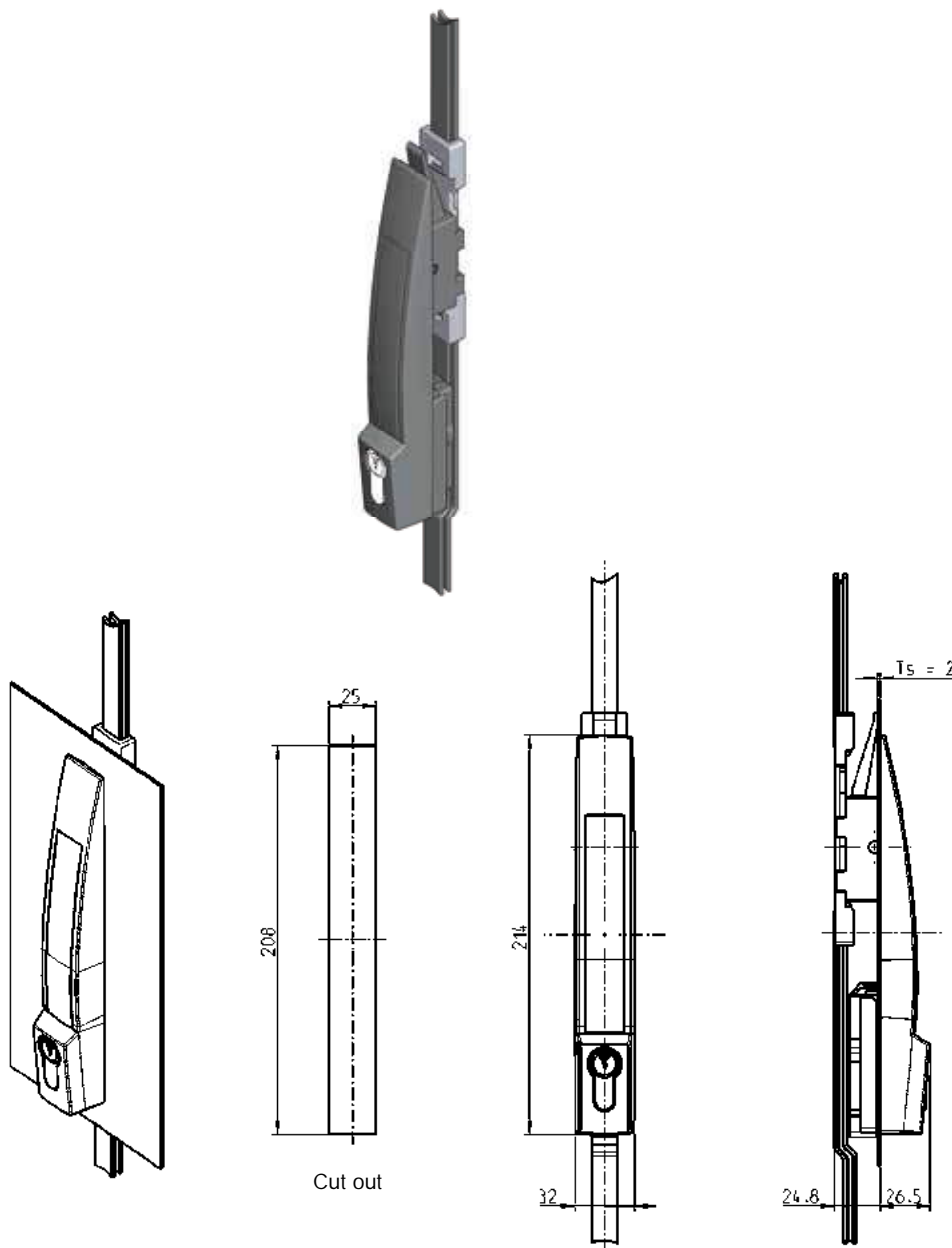
Further parts see page
Assembly instruction

3F-440

Complete lifthandle locking system

PROGRAM 1190

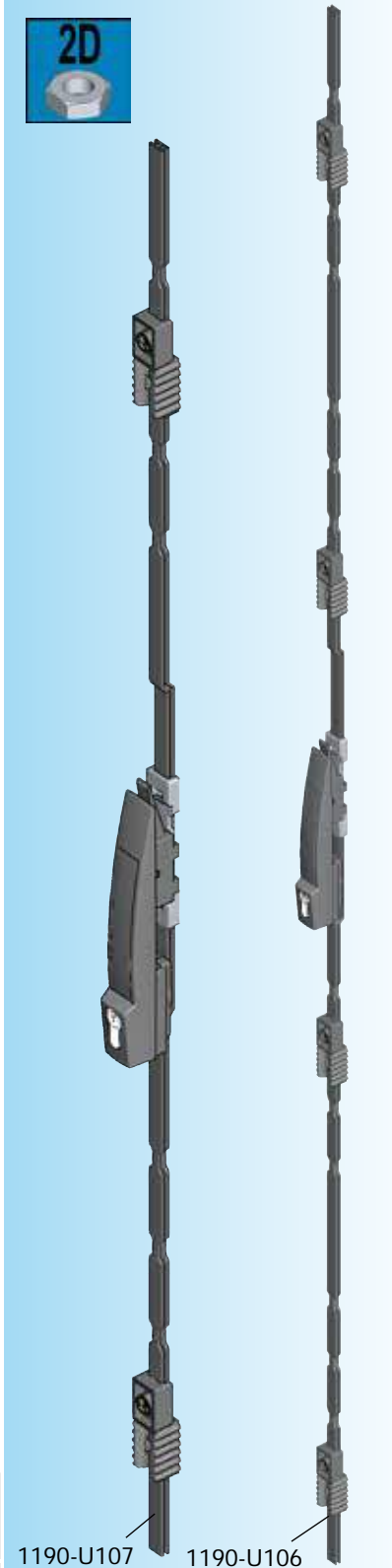




Note:
 profile half cylinder 40 mm (A = 30 mm),
 Set cam at 11 o'clock.

Lifthandle polyamide GF black, rod control zinc die, 2 rods polyamide GF black, number on choice, clip-in rod guide plastic black for weld stud M6x10, number on choice, catch polyamide GF black for countersunk screw M6, screw m.s. zinc plated

Quantity rod guides and catches	2	4
	1190-U107	1190-U106
Height of the door Th	Dim. C	Dim. D
800 - 1200	-	300
1200 - 1600	-	450
1600 - 1900	300	700
1900 - 2200	300	850



Stroke 18 mm

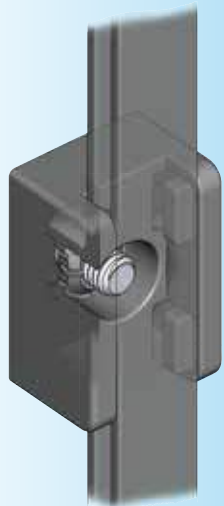
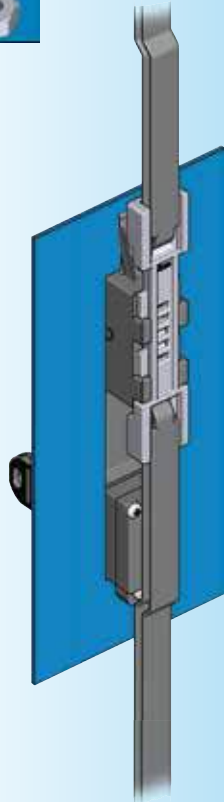
Further parts see page
 – Assembly instruction 3F-440
 Profile half cylinder 3XB-320

Info

1 Quarter turns

2 Rod controls

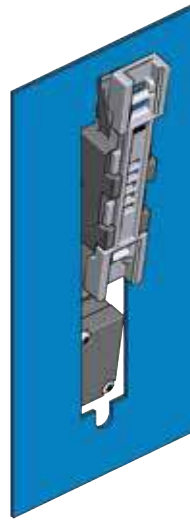
3 Locking systems



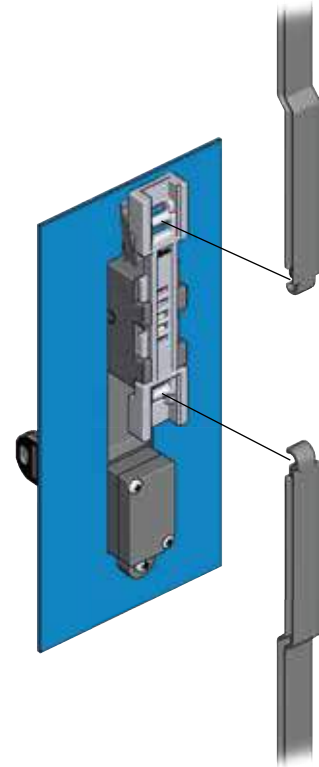
Rod guide with rod pictured transparent

Further parts see page
– Further parts

3F-420
3F-430



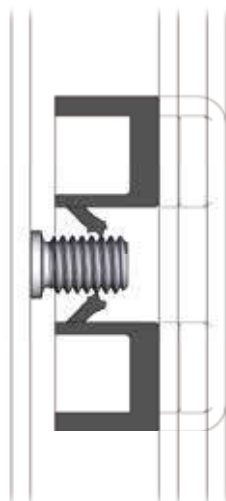
- Insert lifthandle through cut-out
- Fastening of the handle by use of the plastic washer and screw



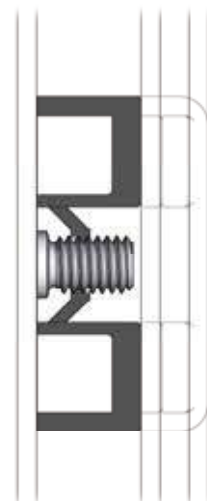
- Rod guides to be slid on to the rods
- Clip-in the rods

Pull-out force: $F_{min.} = 350 \text{ N}$
Application force: Typical factor $F \approx 135 \text{ N}$

These factors refer to a thread with surface raw or zinc plated and degreased.

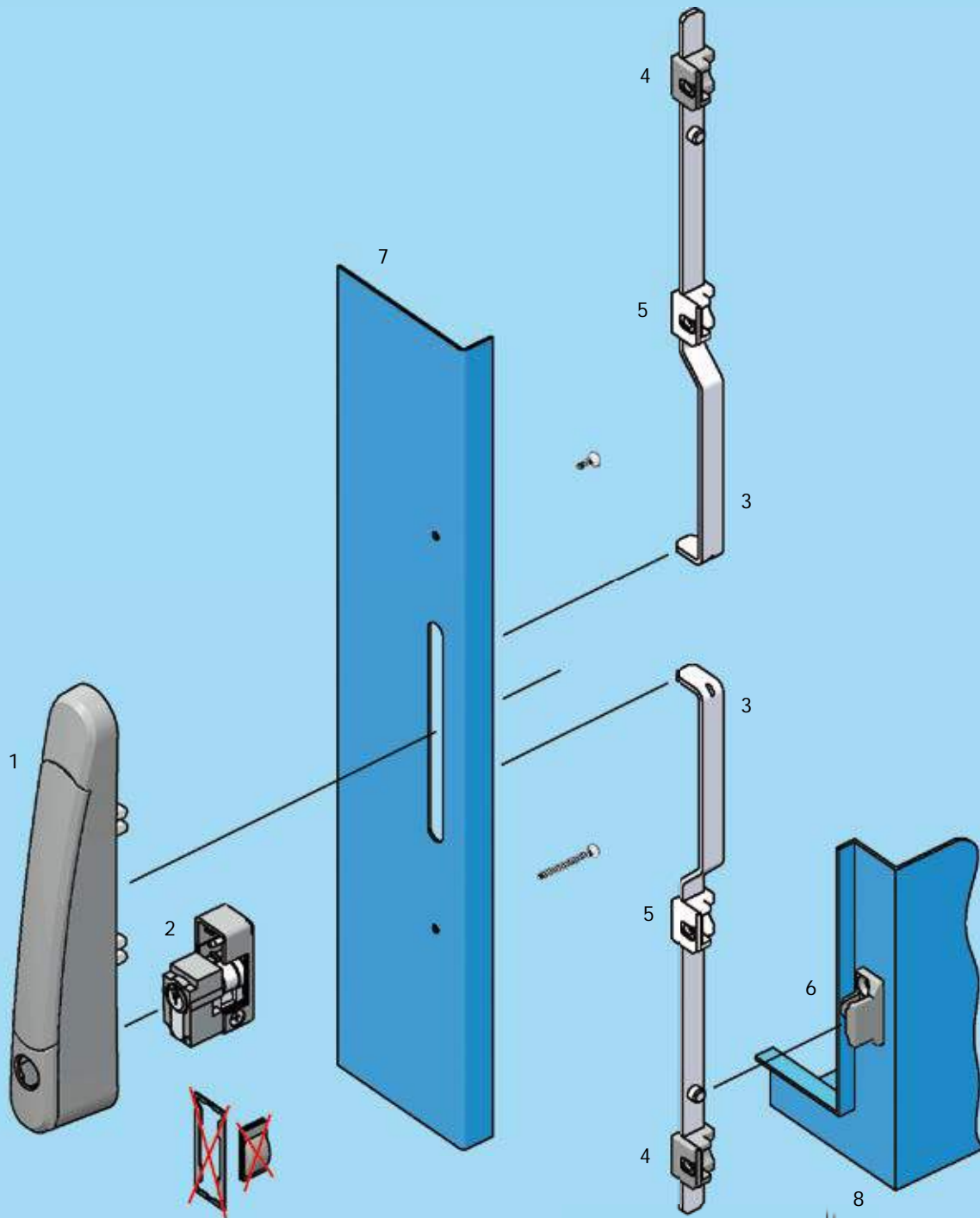


Rod guide can be pre-assembled on rod

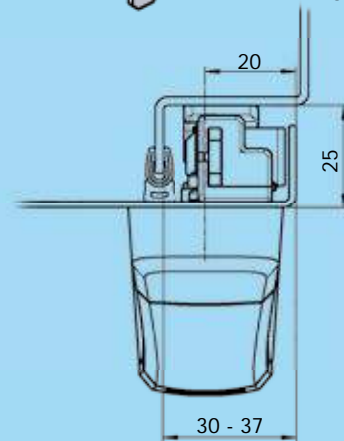


Rod guide pre-assembled

Lift handle for small clearance Program 1390



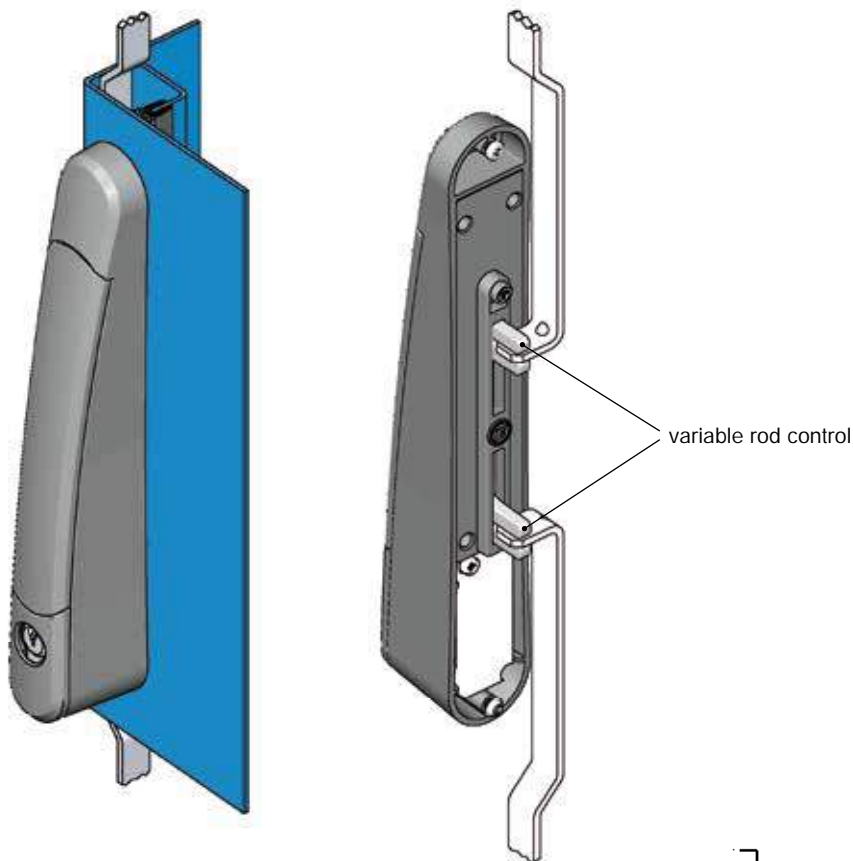
- 1 Lifthandle 3FA-120
- 2 Locking set
- 3 Rod (outside the gasketing)
- 4 Rod guide
- 5 Rod guide (necessary up to door height 1600)
- 6 Catches
- 7 Door
- 8 Cabinet/frame



3FA-100

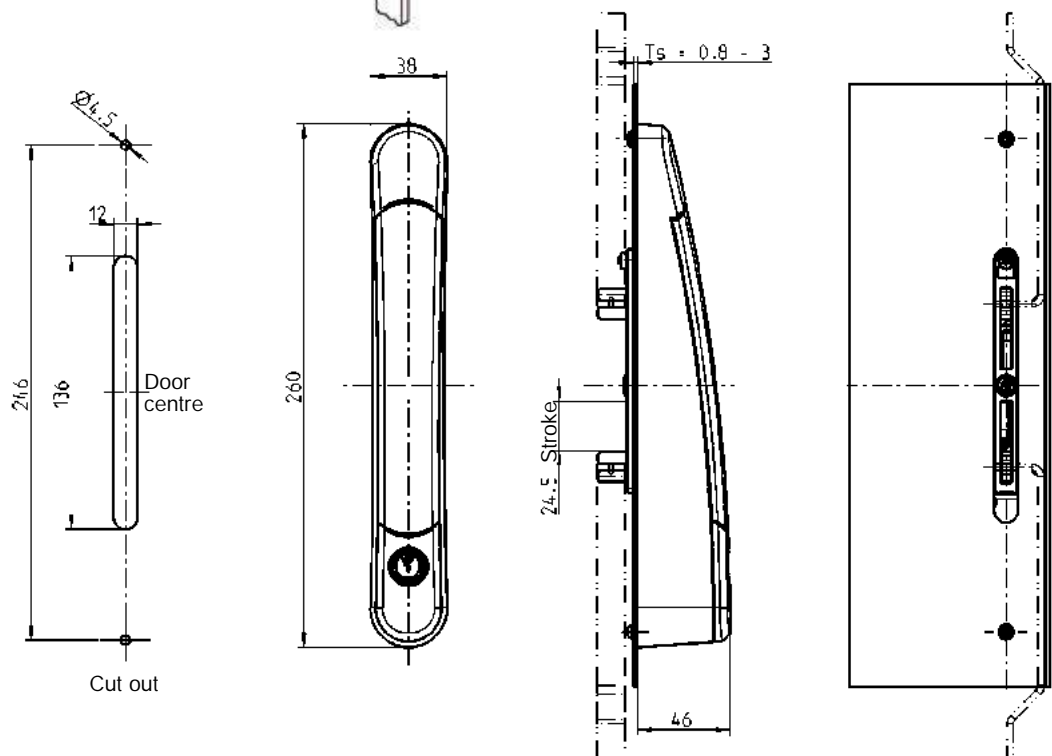
Lifthandle for small clearance

PROGRAM 1390



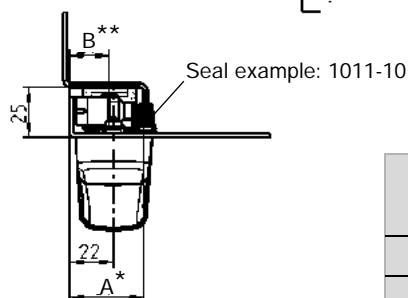
Product benefits

- two-directional lifthandle
- variable positioning of rod controls matching hinge fixing
- small cut out due to outside handle mechanism
- innovative new low-priced technology
- attractive design
- makes small clearance possible
33 x 25 mm or 37 x 25 mm
- patented!



* The values in the table for dimension A with seal refer to seal 1011-10. Other seals lead to other values for dimension A.

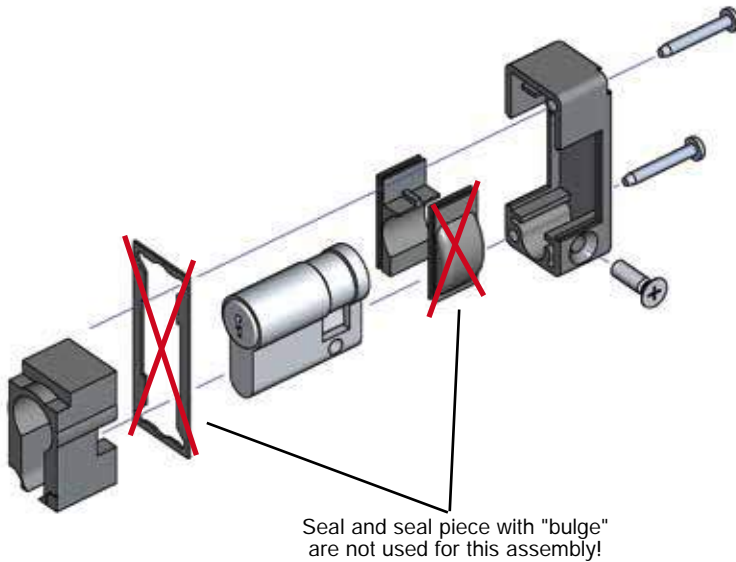
** Dimension B should have the same value as the fixing dimension of the frame part if the door is to be used right or left.



Locking type (see right)	Dimension A	
	without seal	with seal*
1	30	33
2	30	33
3	33	37



Note for locking set with profile half cylinder

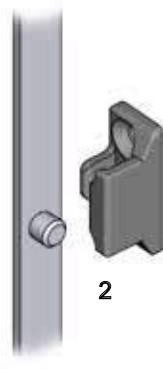


Locking types



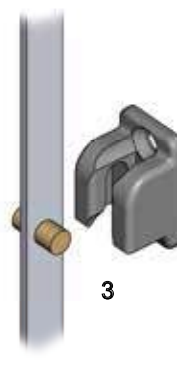
1

Rod with cut out



2

Rod with single roller



3

Rod with double roller

Stroke of rods is bi-directional

Note: dimension B depending on the hinge used

Attention:
Locking set for ASSA cylinder, KABA cylinder and push button cannot be installed!

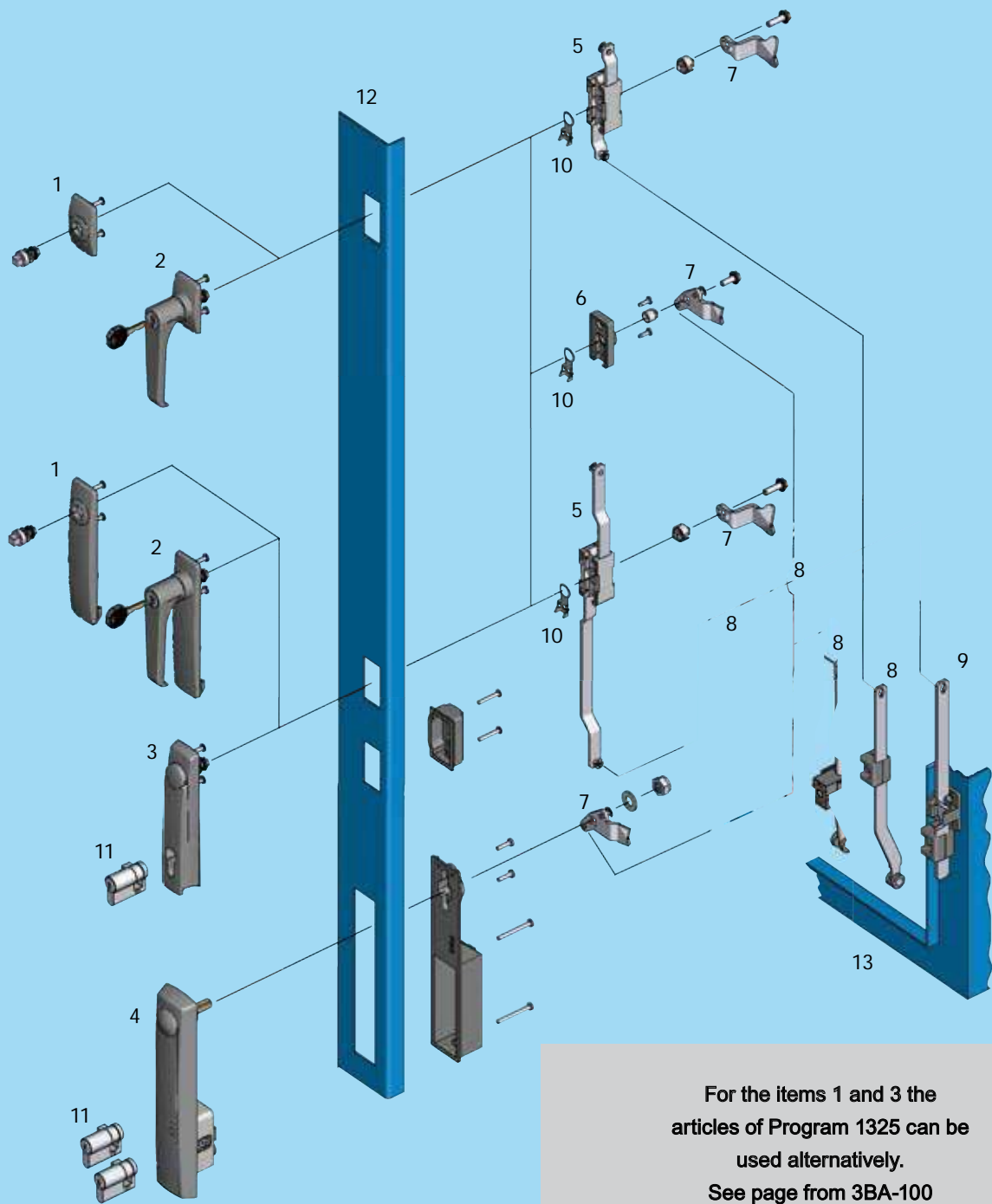
Further parts see page

- Locking set 3XA-120
- 3XA-140
- Rods 3ZA-610

Lifthandle polyamide GF black;
rack zinc-die;
fixing material m.s. zinc plated;
with spring

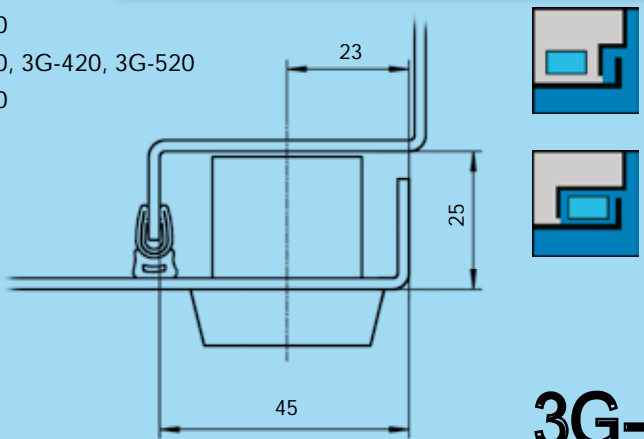
1390-U1

Swinghandle and escutcheon Program 1225



For the items 1 and 3 the articles of Program 1325 can be used alternatively.
See page from 3BA-100

- | | |
|---------------------------------|------------------------|
| 1 Escutcheon 1221 with insert | 3G-120 |
| 2 Escutcheon 1223 with handle | 3G-180 |
| 3 Swinghandle | 3G-220, 3G-420, 3G-520 |
| 4 Swinghandle (double cylinder) | 3G-320 |
| 5 Rod control | |
| 6 Bearing bush | |
| 7 Cam | |
| 8 Rod (inside the gasketing) | |
| 9 Rod (outside the gasketing) | |
| 10 Earthing device | |
| 11 Profile half cylinder | |
| 12 Door | |
| 13 Cabinet/frame | |



3G-100

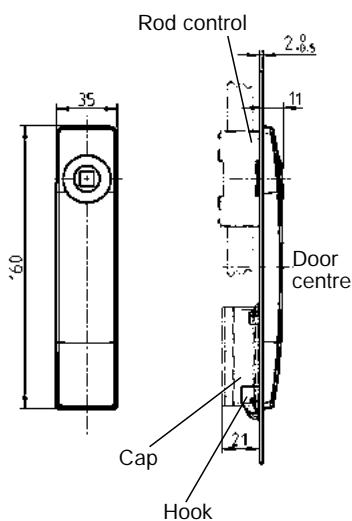
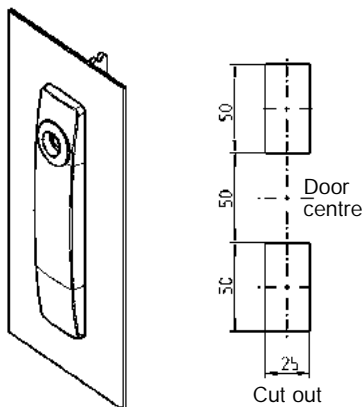


* in Polyamide on request

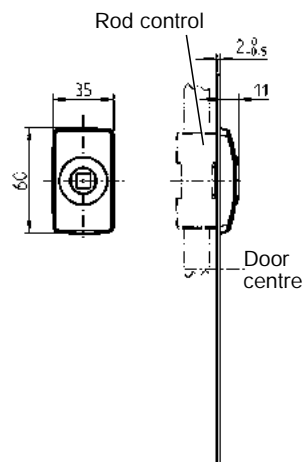
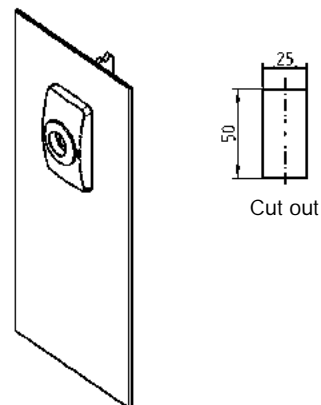
Further parts see page

- Key 12B-120
- Rod control for long version 3YA-110
- 3YA-120
- 3YA-140
- (only with hook) 3YA-190
- Short version 3YA-115
- 3YA-160
- 3YB-120
- Bearing bush

Escutcheon, long



Escutcheon, short



Escutcheon long polyamide GF black, screw m.s. zinc plated, with seal

Escutcheon short polyamide GF black, screws m.s. zinc pl., with seal IP 65

	hook IP 40	screw on cap IP 65	
for square, triangular			
Daimler-Benz, slot	1221-U19	1221-U133	1221-U22
for double bit	1221-U20	1221-U134	1221-U23
for railroad square 9	1221-U19A	1221-U135	1221-U22A

Insert, zinc die chrome plated, fixing material m.s. zinc plated

Square 6	1121-U11	Double bit 3*	1121-U16
Square 7	1121-U12	Double bit 5*	1121-U17
Square 8	1121-U13	Square female 8	1121-U167
Triangular 6,5 CNOMO	1121-U169	Slot 2 x 4	1121-U123
Triangular 7	1121-U14	Railroad square 9	1121-U72
Triangular 8	1121-U15	Daimler Benz	1121-U18

Accessories



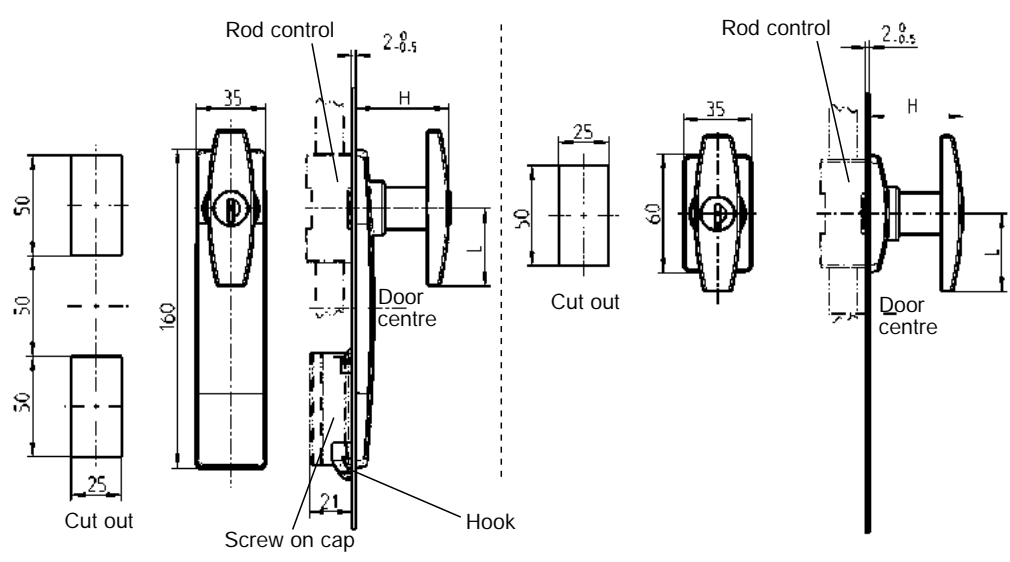
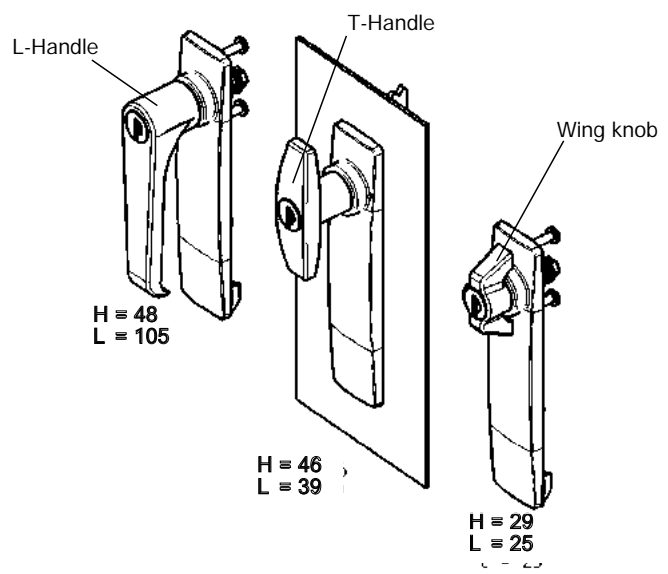
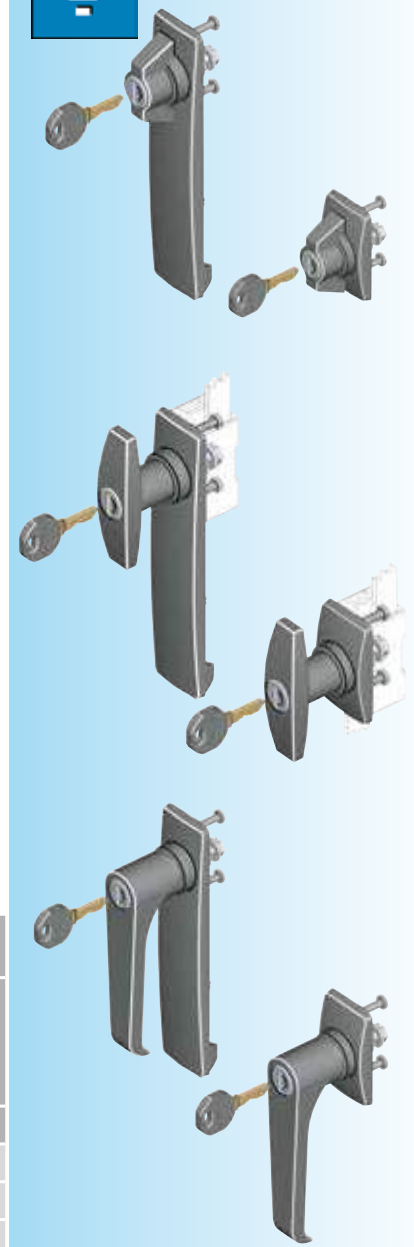
Transport safety device polyamide GF black for double bit insert

1121-32

Escutcheon 1223 with handle

PROGRAM 1225

Beschlagteile



Each round cylinder has one silver steel key with polyamide grip GF black.

Escutcheon polyamide GF black, round cylinder with stainless steel cap and shutter, fixing material m.s. zinc plated, with seal

	Escutcheon long		Escutcheon short IP 65
	hook	screw on cap	
	IP 40	IP 65	
Wing knob zinc die black powder coated			
non locking	1223-U1	1223-U25	1223-U4
keyed EK 333	1223-U2	1223-U26	1223-U5
keyed different	1223-U3	1223-U27	1223-U6
T-Handle zinc die black powder coated			
non locking	1223-U7	1223-U28	1223-U10
keyed EK 333	1223-U8	1223-U29	1223-U11
keyed different	1223-U9	1223-U30	1223-U12
prepared for KABA 1036	1223-U21	-	1223-U22
L-Handle zinc die black powder coated			
non locking	1223-U13	1223-U31	1223-U16
keyed EK 333	1223-U14	1223-U32	1223-U17
keyed different	1223-U15	1223-U33	1223-U18
prepared for KABA 1036	1223-U19	-	1223-U20

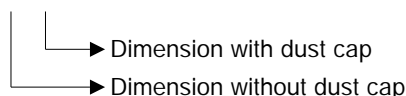
- Further parts see page**
- Key 12B-120
 - Spare key 12B-140
 - Rod control for long version 3YA-110
3YA-120
3YA-140
(only with hook) 3YA-190
 - Short version 3YA-115
3YA-160
 - Bearing bush 3YB-120
 - Dust cap for T-Handle 1C-340

Swinghandle

PROGRAM 1225

Example:

*(22/24 mm)


Swinghandle for profile half cylinder, polyamide GF black, shaft zinc die zinc plated, fixing material m.s. zinc plated, with seal

	screw on cap IP 65		hook IP 40	
	with sliding dust cover	without sliding dust cover	with sliding dust cover	without sliding dust cover
for 40 mm half cylinder *(22/24 mm)	1225-U191	1225-U190	1225-U186	1225-U185
for 40 mm half cylinder *(22/24 mm) lead-sealable	1225-U191-01	-	1225-U186-01	-
for 45 mm half cylinder *(28/30 mm)	1225-U196	1225-U195	1225-U194	1225-U193
with cylinder (Berlin version)	-	-	1225-U276	1225-U275

Swinghandle for profile half cylinder polyamide GF black, handle zinc die black powder coated, shaft zinc die zinc plated, fixing material m.s. zinc plated, with seal

for 40 mm half cylinder *(22/24 mm)	-	1225-U190-01	-	1225-U185-01
-------------------------------------	---	--------------	---	--------------

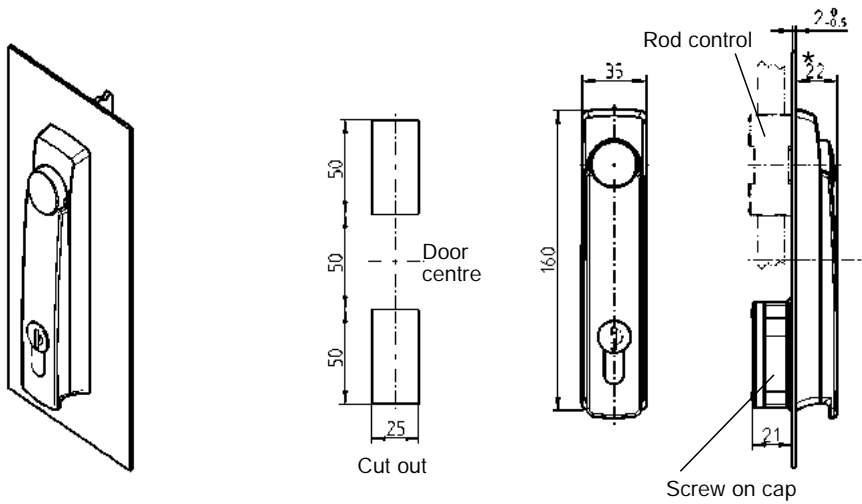
Swinghandle polyamide GF black with EMC-shielding for profile half cylinder, shaft zinc die zinc plated, fixing material m.s. zinc plated, with seal

for 40 mm half cylinder *(22/24 mm)	1225-U191-E	-	-	-
-------------------------------------	-------------	---	---	---

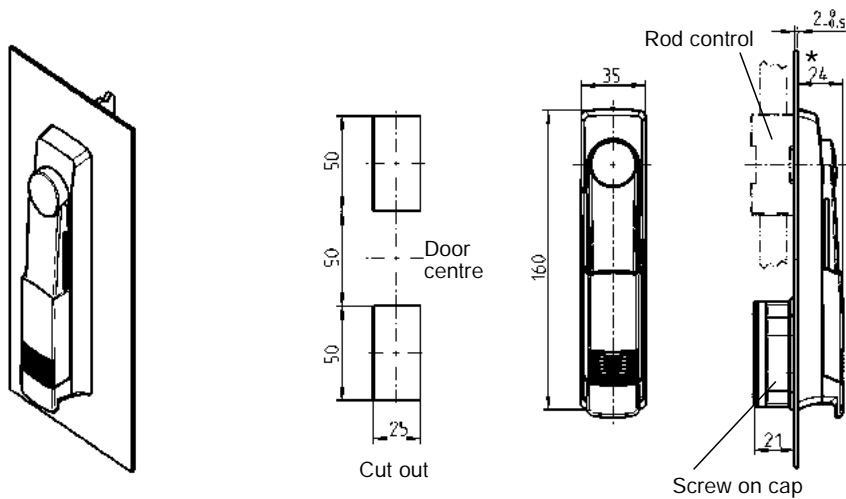
Swinghandle polyamide GF black with round cylinder including stainless steel cap and dust cap or insert zinc die chrome plated, shaft zinc die zinc plated, fixing material m.s. zinc plated, with seal. Each round cylinder has one silver steel key with polyamide grip GF black.

	screw on cap		hook	
	with sliding dust cap	without sliding dust cap	with sliding dust cap	without sliding dust cap
Round cylinder keyed EK 333	1225-U206	1225-U202	on request	1225-U268
Round cylinder keyed different	1225-U207	1225-U203	on request	1225-U269
Square 6 ¹⁾	1225-U242	1225-U210	on request	on request
Square 7 ^{1) 2)}	1225-U243	1225-U211	on request	on request
Square 8 ^{1) 2)}	1225-U244	1225-U212	on request	on request
Square 8 slotted	1225-U245	1225-U213	on request	on request
Triangular 6,5 CNOMO	1225-U246	1225-U214	1225-U201	1225-U200
Triangular 7 ¹⁾	1225-U247	1225-U215	on request	on request
Triangular 8 ^{1) 2)}	1225-U248	1225-U216	on request	on request
Double bit 3	1225-U249	1225-U236	on request	on request
Double bit 5	1225-U250	1225-U239	on request	on request
Hexagon female 10	1225-U251	1225-U219	on request	on request
Female Square 6	1225-U252	1225-U220	on request	on request
Square female 8	1225-U253	1225-U221	on request	on request
Daimler Benz	1225-U254	1225-U222	on request	on request
Slot 1,2 x 3	on request	on request	on request	on request
Slot 2 x 4 ^{1) 2)}	1225-U256	1225-U224	on request	on request
Crown type	1225-U257	1225-U225	on request	on request
Eastern Europe Ø 13	1225-U282	1225-U283	on request	on request
Prepared for padlock and profile cylinder	-	1225-U184	-	on request

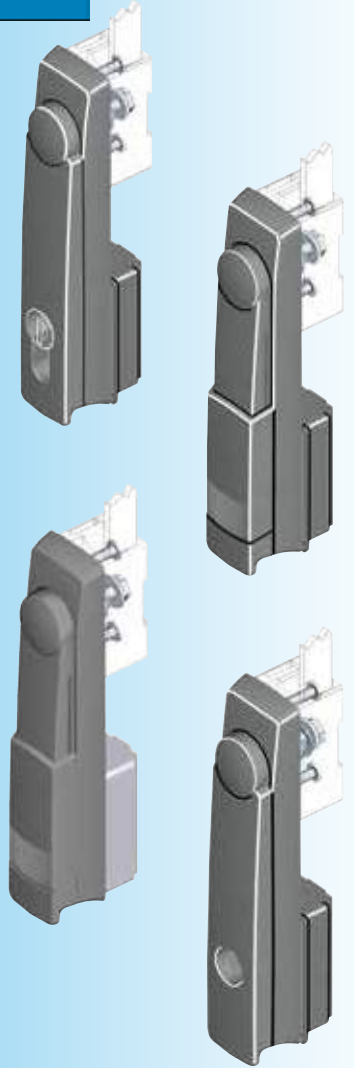
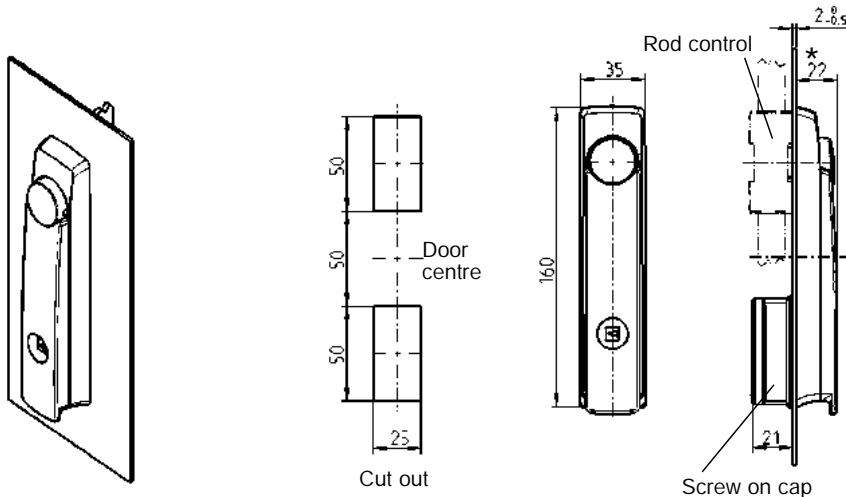
Swinghandle for profile half cylinder



Swinghandle with sliding dust cover



Swinghandle with round cylinder or insert

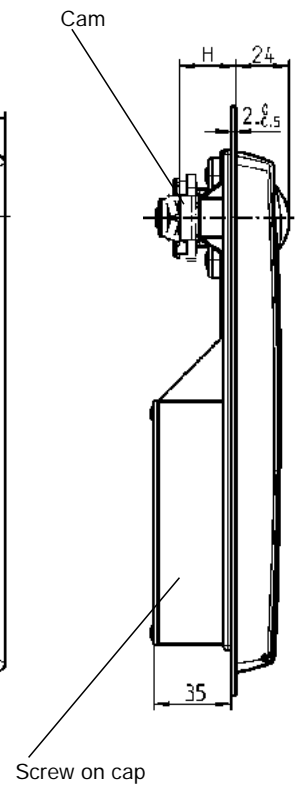
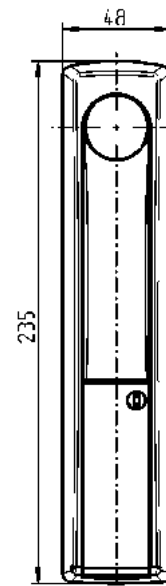
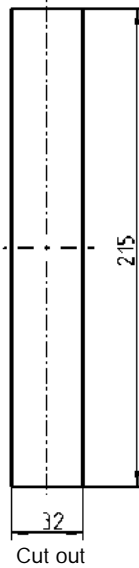
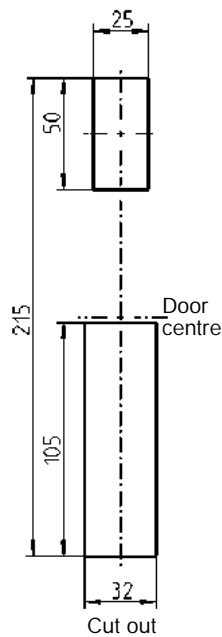
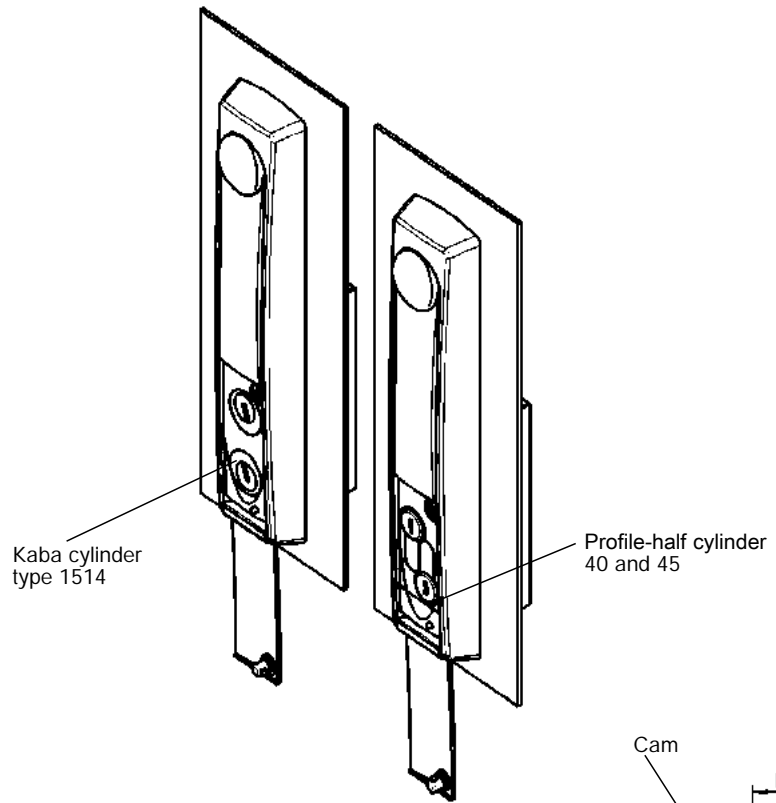
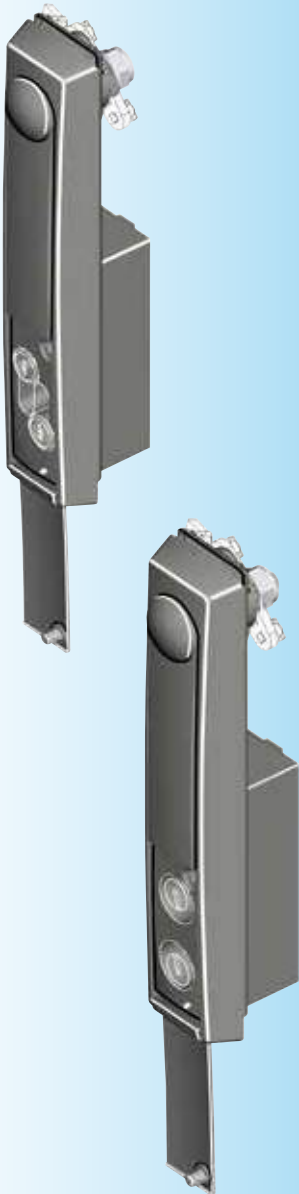


Further parts see page

- Key 11B-120
- Rod control 3YA-110
- 3YA-120
- 3YA-140
- (only with hook) 3YA-190
- Bearing bush 3YB-120
- Profile half cylinder 3XB-120

On request:

- Insert in
- 1) Zinc die black p.c.
- 2) polyamide black
- Cap without foamed seal for small bending area
- EMC-version
- Swinghandle lead-sealable
- Handle in zinc die



Further parts see page

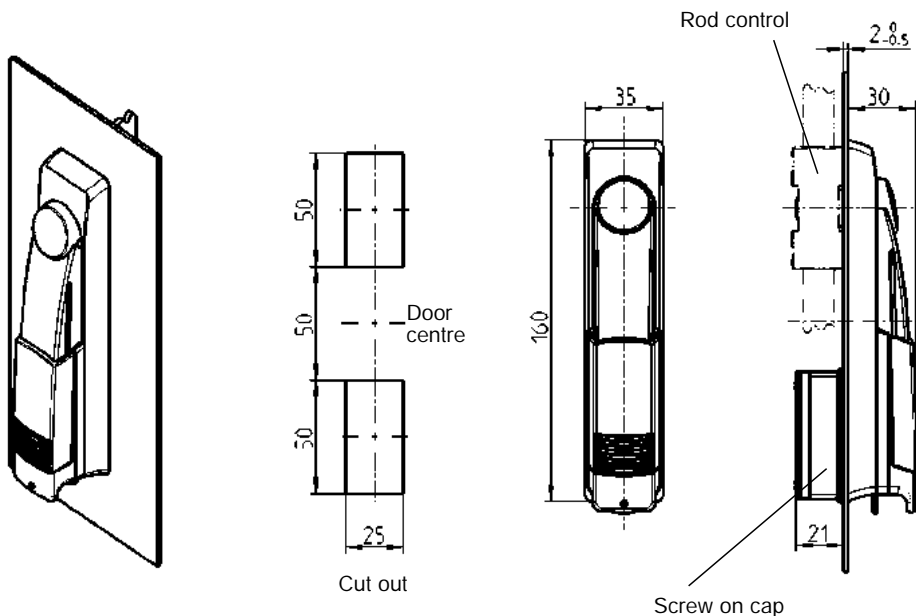
- Cam 3YC-140
- Profile half cylinder 3XB-220
(please only use 1089-U1 or 1089-U2)

Swinghandle and escutcheon zinc die black powder coated, shaft brass, fixing material m.s. zinc pl., with seal

Double cylinder swinghandle for profile half cylinder	1225-U60
Blank for using only one profile half cylinder	1109-09-AA
Double cylinder swinghandle for type KABA 1514	1225-U62

Swinghandle KABA and ASSA

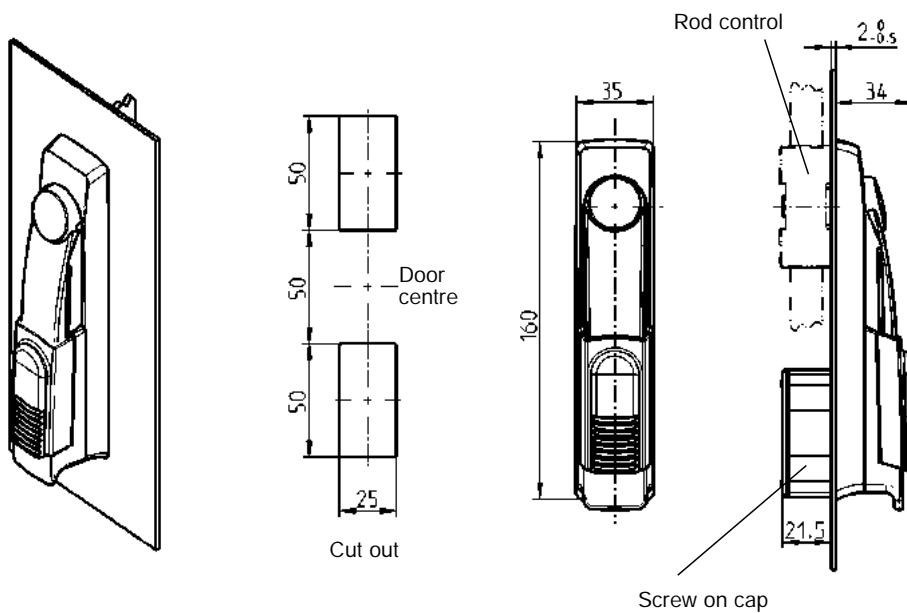
PROGRAM 1225



Note: Customer to supply own KABA Cylinder

Swinghandle for KABA-cylinder,
polyamide black, lead-sealable
Fixing material m.s. Zinc platet with seal

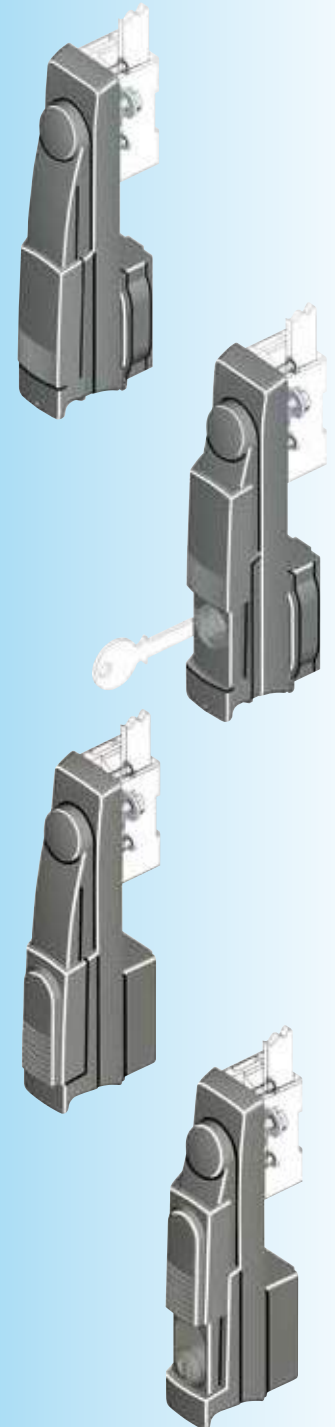
1225-U291



Note: Customer to supply own ASSA Cylinder

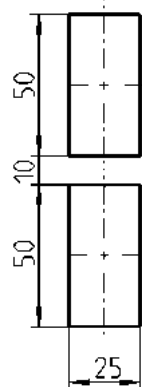
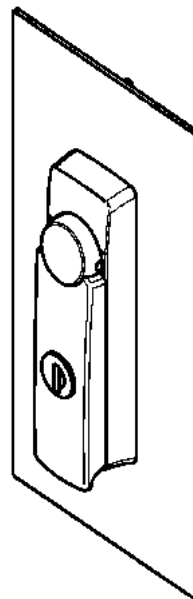
Swinghandle for ASSA-cylinder,
polyamide black, shaft zinc die zinc pl., fixing material m.s. zinc pl., with seal

1225-U198

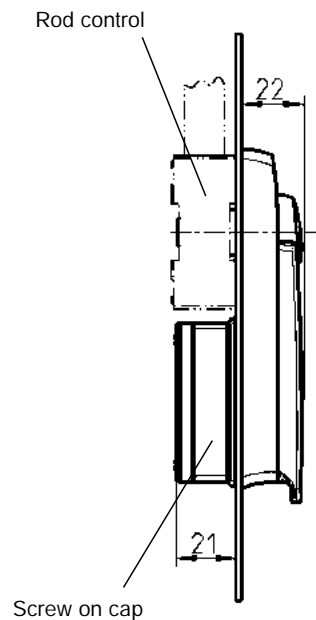
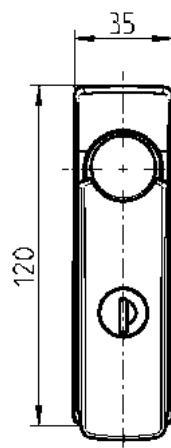


Further parts see page

- Rod control 3YA-110
- 3YA-120
- 3YA-140
- Bearing bush 3YB-120



Cut out



Further parts see page

- Rod control (1121-U60-C or 1121-U61-C) 3YA-160
- Bearing bush (H-dimension Cam > 23) 3YB-120
- Spare key 12B-140

Swinghandle and escutcheon polyamide black, with round cylinder with stainless steel cap and shutter, shaft zinc die zinc plated, fixing material m.s. zinc plated, with seal

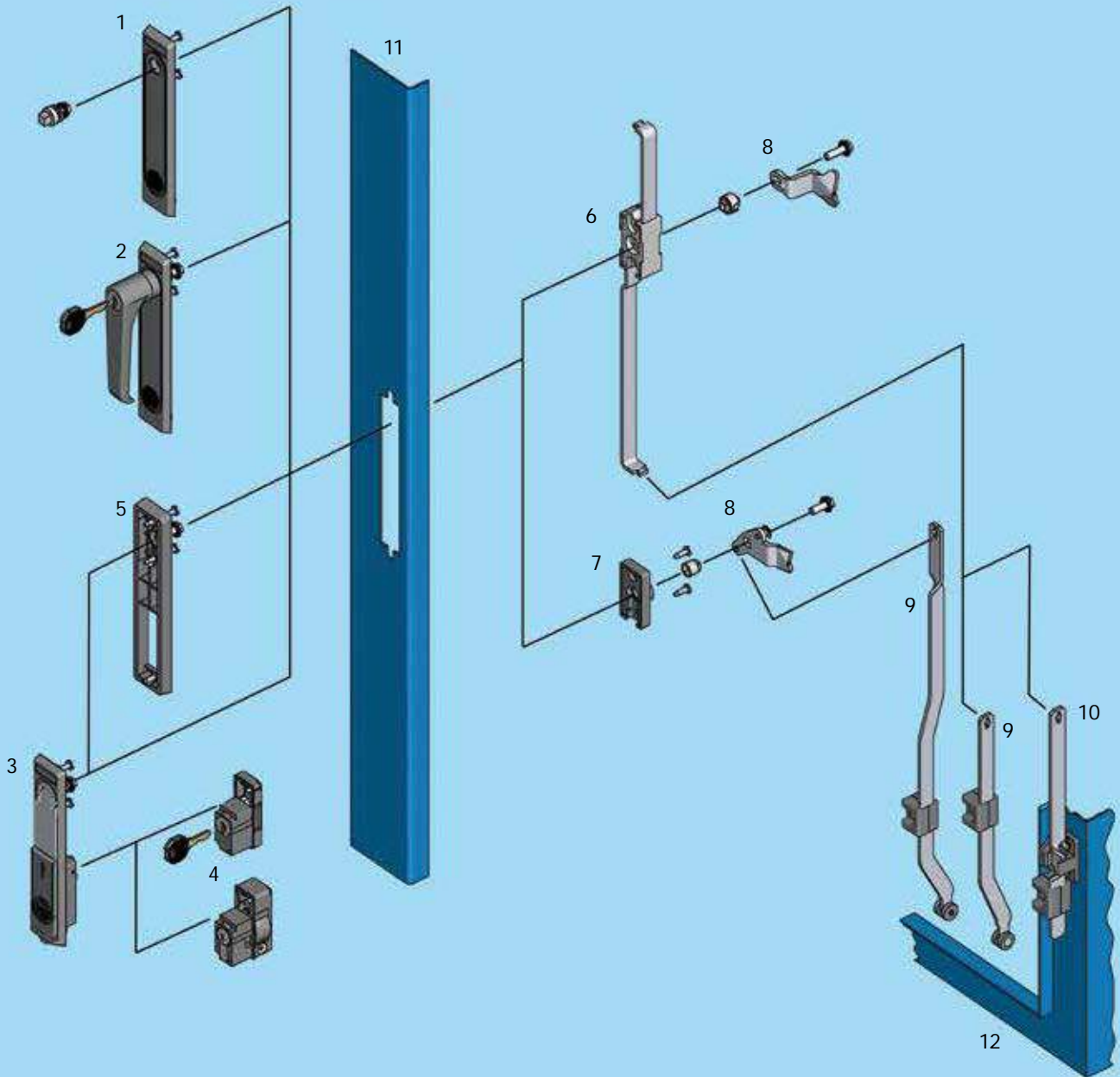
keyed EK 333

1240-U1

keyed different

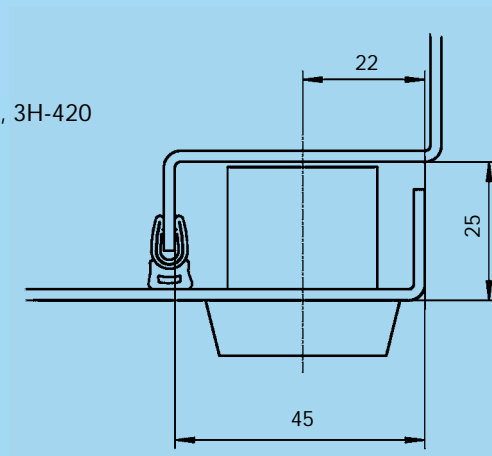
1240-U2

Swinghandle and Escutcheon Program 2100

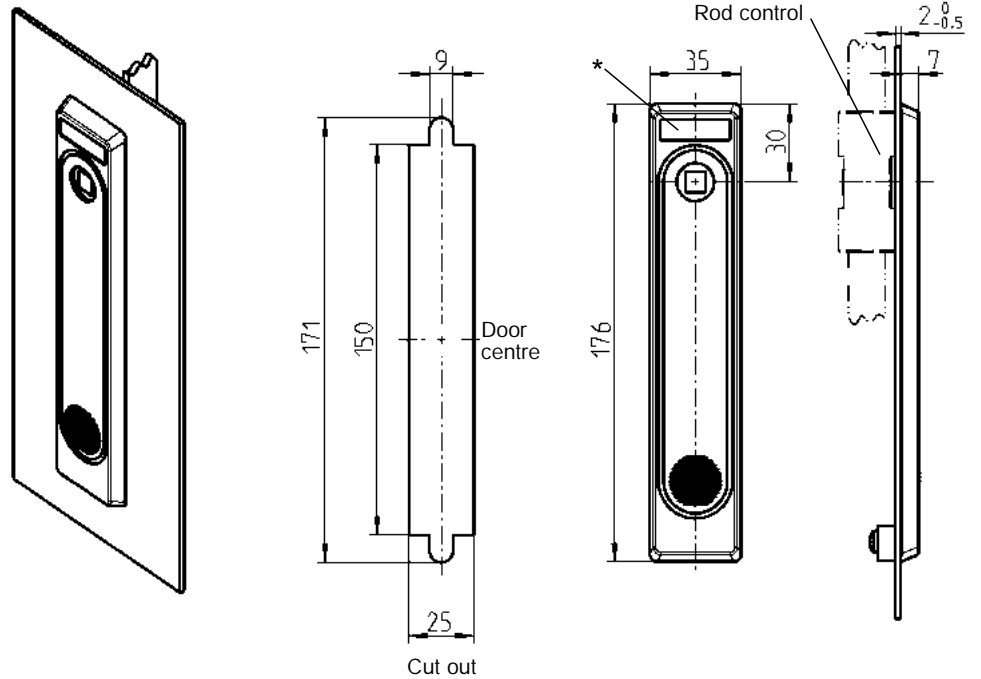
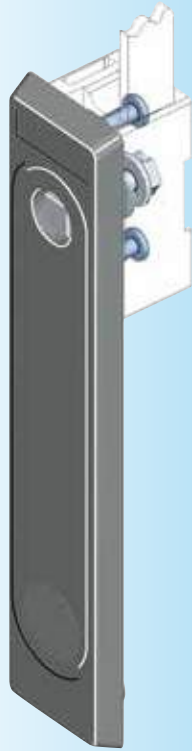


- 1 Escutcheon 2150 with insert
- 2 Escutcheon 2153 with handle
- 3 Swinghandle
- 4 Locking set
- 5 Adapter frame
- 6 Rod control
- 7 Bearing bush
- 8 Cam
- 9 Rod (inside the gasketing)
- 10 Rod (outside the gasketing)
- 11 Door
- 12 Cabinet/frame

- 3H-120
- 3H-220
- 3H-320, 3H-420



3H-100



Escutcheon polyamide black, fixing material m.s. zinc plated, with seal

for square, triangular, Daimler-Benz, slot	2150-U1
for double bit with mask	2150-U2
for FIAT	2150-U3

Insert zinc die chrome pl., fixing material m.s. zinc pl.

Square 6	1121-U11	Double bit 3**	1121-U16
Square 7	1121-U12	Double bit 5**	1121-U17
Square 8	1121-U13	Square female 8	1121-U167
Triangular 6,5 CNOMO	1121-U169	Daimler Benz	1121-U18
Triangular 7	1121-U14	FIAT	1121-U24
Triangular 8	1121-U15	Slot 2 x 4	1121-U123

* Logo recess: 27 x 8 x 0,5
Multicolour print possible

** in polyamide on request

Further parts see page

- Key 12B-120
- Rod control 3YA-520
- 3YA-540
- Bearing bush 3YB-140

Accessories



Transport safety device polyamide black
for double bit insert

1121-32

Escutcheon 2150

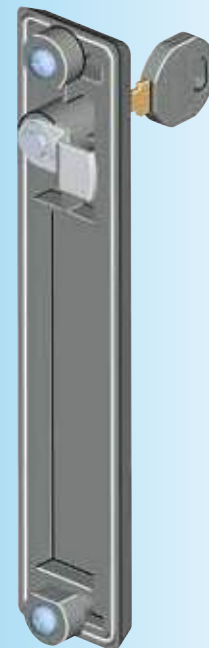
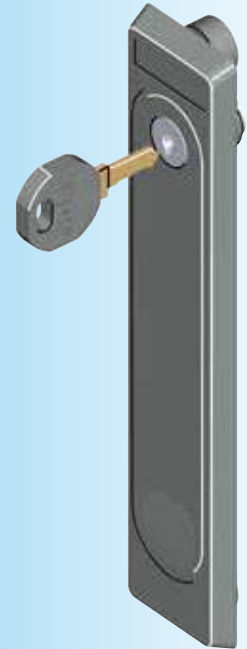
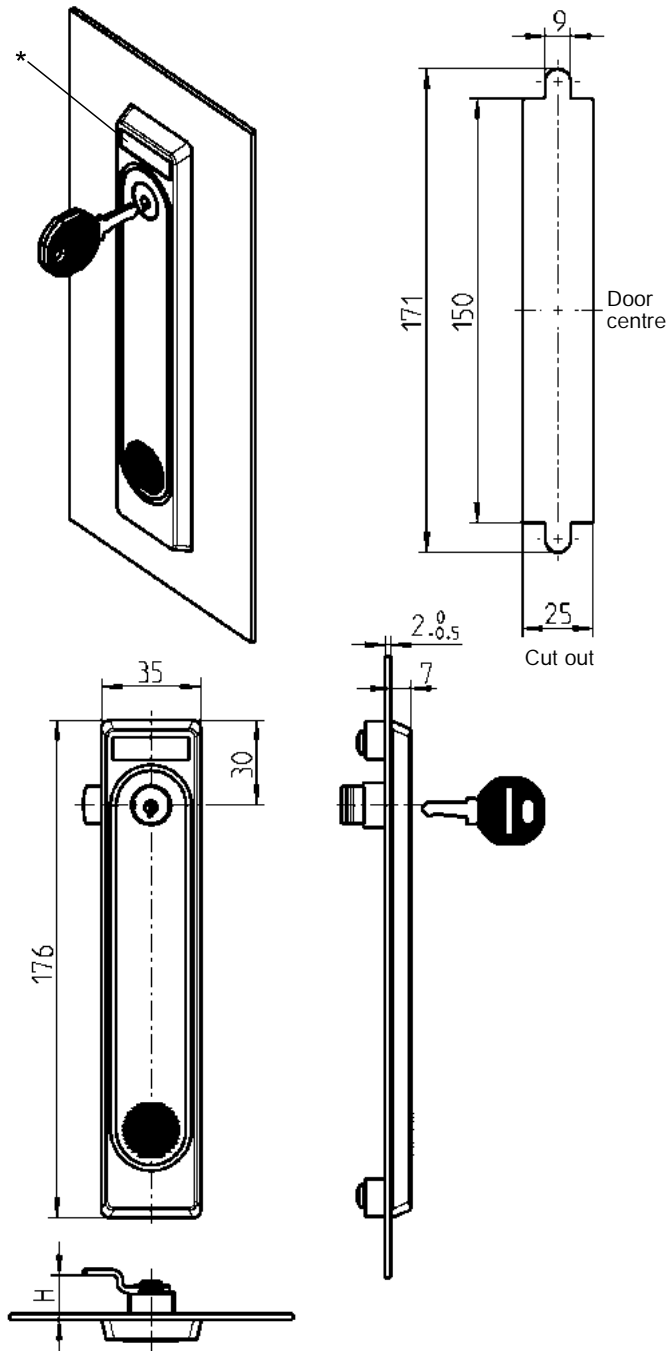
PROGRAM 2100

Beschlagteile



RL

IP 40



Escutcheon polyamide GF black, round cylinder zinc die with stainless steel cap, fixing material m.s. zinc plated, with seal.

Each round cylinder has one silver steel key with polyamide grip GF black.

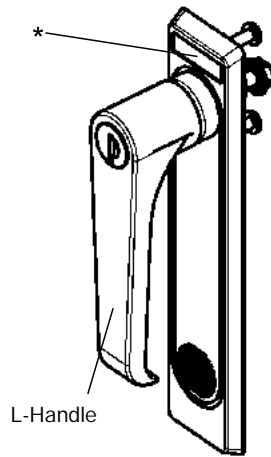
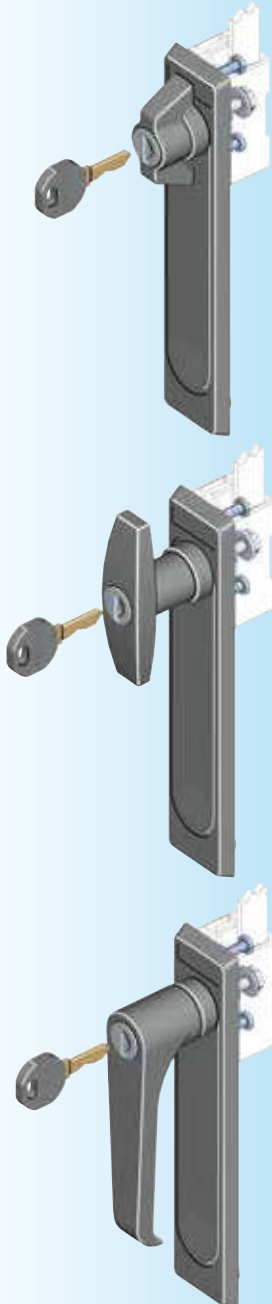
H-dimension 4	LH version	RH version
keyed different	2150-U4	2150-U4-01
keyed alike 2233X	2150-U5	2150-U5-01
H-dimension 10	LH version	RH version
keyed different	2150-U6	2150-U6-01
keyed alike 2233X	2150-U7	2150-U7-01
H-dimension 16	LH version	RH version
keyed different	2150-U8	2150-U8-01
keyed alike 2233X	2150-U9	2150-U9-01

* Logo recess: 27 x 8 x 0,5
Multicolour print possible

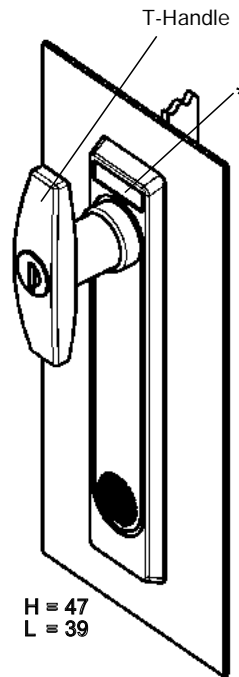
Turn \approx 90°

Further parts see page
– Spare key

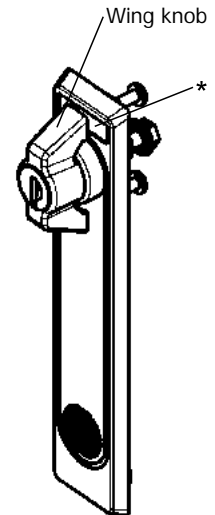
12B-140



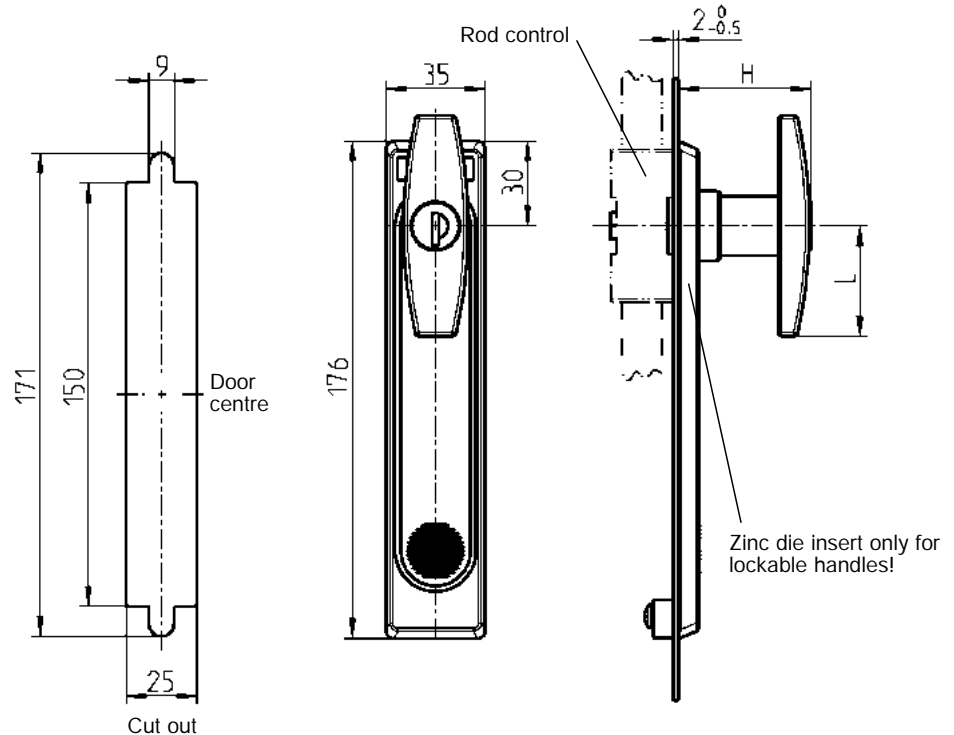
H = 47
L = 105



H = 47
L = 39



H = 29
L = 25



* Logo recess: 27 x 8 x 0,5
Multicolour print possible

** in polyamide on request

Further parts see page

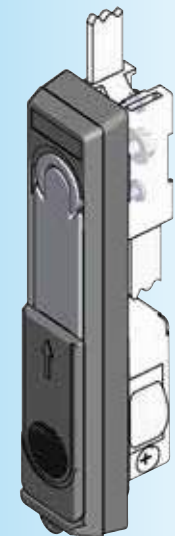
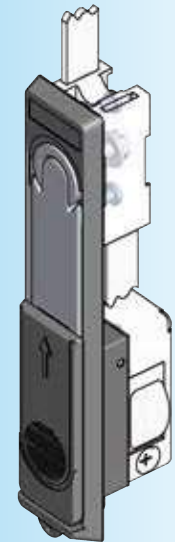
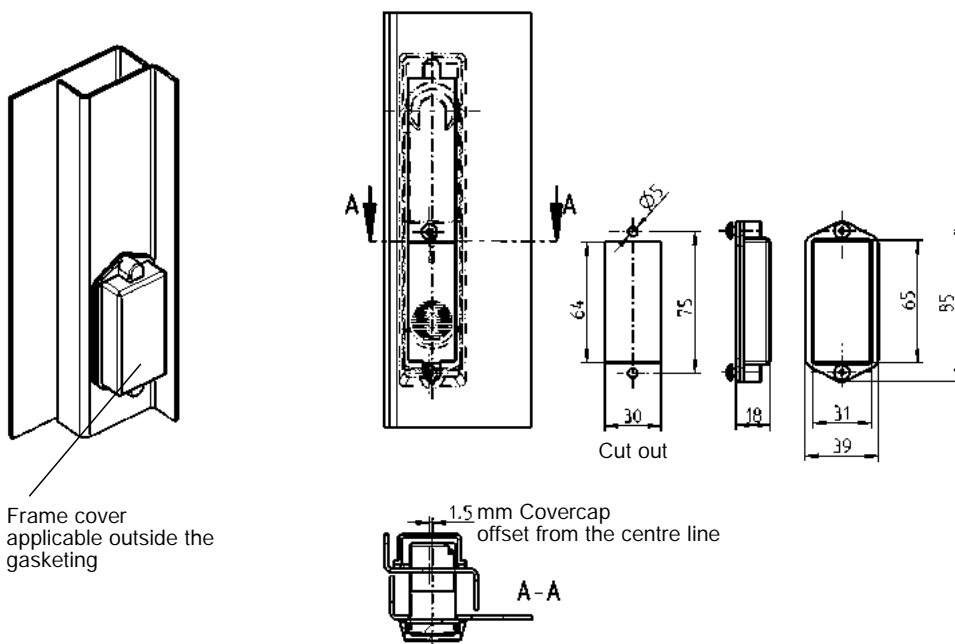
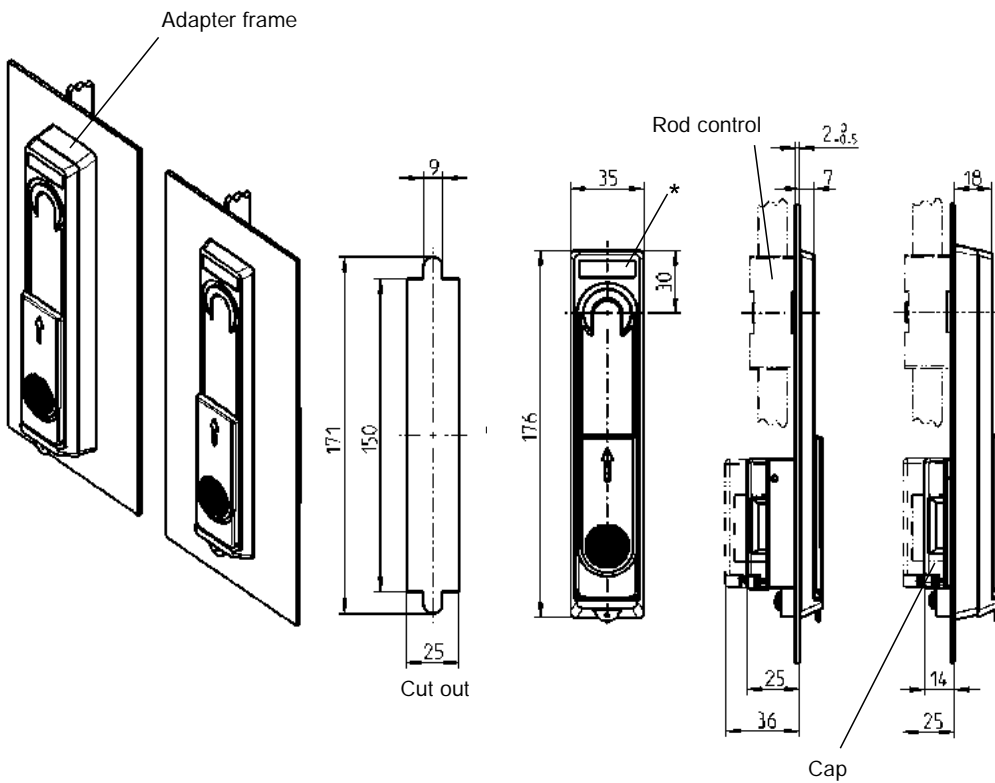
- Spare key 12B-140
- Rod control 3YA-520
- 3YA-540
- 3YB-140
- Bearing bush 3YB-140
- Dust cap for T-handle 1C-340

Escutcheon polyamide GF black; handle zinc die black powder coated, round cylinder with stainless steel cap and dust cap, fixing material m.s. zinc plated, with seal. Each round cylinder has one silver steel key with polyamide grip GF black.

	non locking	keyed EK 333	keyed different
Wing knob	2153-U9	2153-U10	2153-U11
T-Handle	2153-U6	2153-U7	2153-U8
L-Handle	2153-U3	2153-U4	2153-U5
Prepared for KABA-cylinder type 1036 with standard locking and / or locking systems			on request

Swinghandle PROGRAM 2100

Beschlagteile



Note:
Swinghandle without locking set

* Logo recess: 27 x 8 x 0,5
Multicolour print possible

Further parts see page

- Locking set 3XA-120
- 3XA-140
- Locking set ELM Chapter 11
- Rod control 3YA-520
- 3YA-540
- Bearing bush 3YB-140

**Swinghandle polyamide black, handle zinc die chrome pl.,
fixing material m.s. zinc pl., with seal**

Sliding dust cap polyamide black 2100-U1

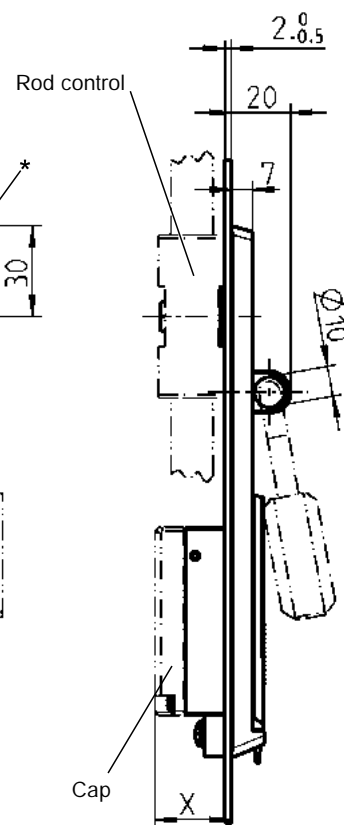
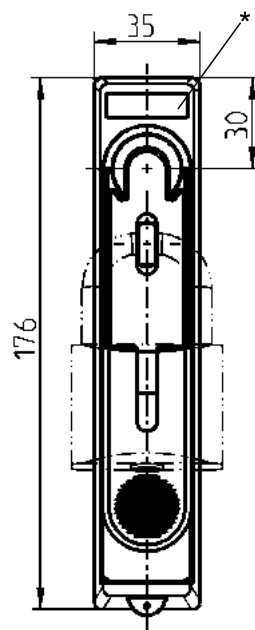
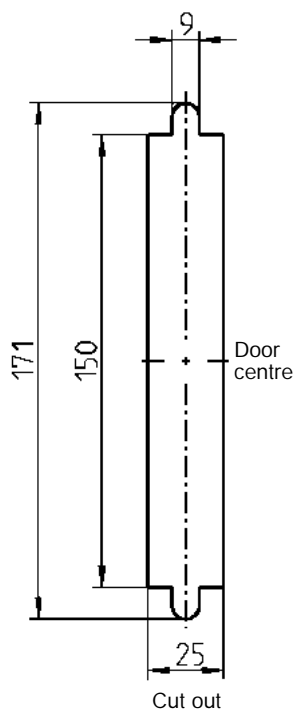
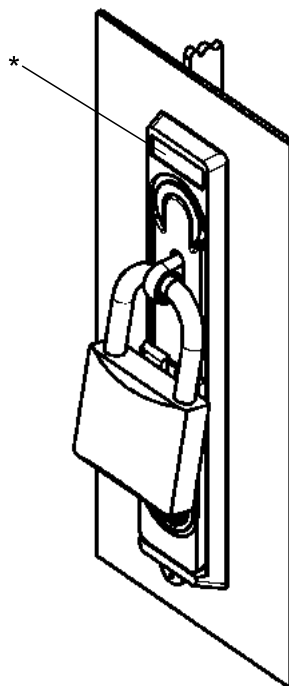
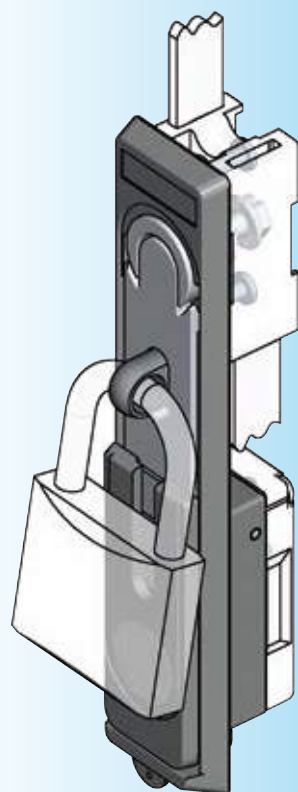
Sliding dust cap zinc die black powder coated 2100-U2

**Adapter frame polyamide black, adapter cast steel
fixing material m.s. zinc pl.**

2100-U59

**Frame cover polyamide black, fixing material m.s. zinc pl.
for RH and LH version, with seal**

2100-U31



* Logo recess: 27 x 8 x 0,5
Multicolour print possible

Further parts see page

- Locking set 3XA-120
3XA-140
- Locking set ELM Chapter 11
- Rod control 3YA-520
3YA-540
- Bearing bush 3YB-140

Swing handle polyamide GF black; handle zinc die matt chrome plated;
sliding cover zinc die black powder coated; padlock shackle AISI 303;
Fixing material m.s. zinc plated, with seal

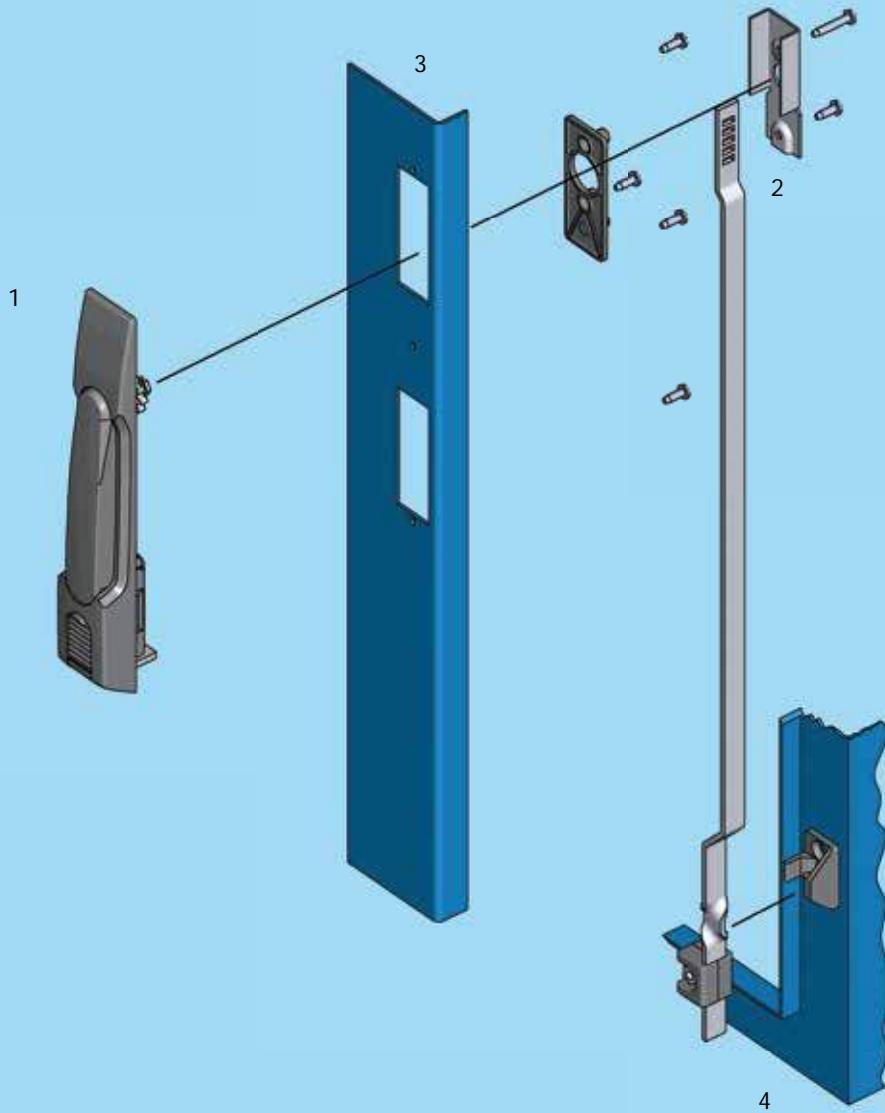
Ford version with:

Locking set square 7

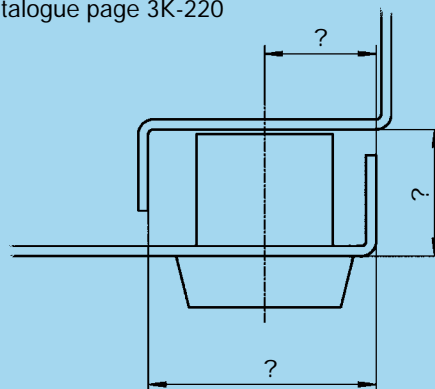
2100-U9

2100-U33

Swinghandle Program 2400



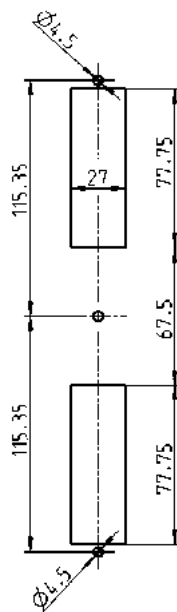
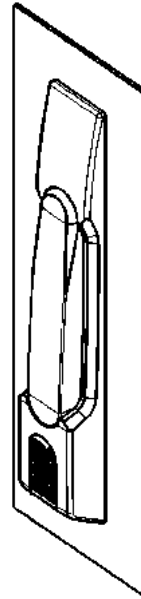
Dimensions for door return
for 1 = see catalogue page 3K-220



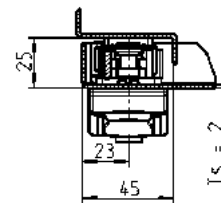
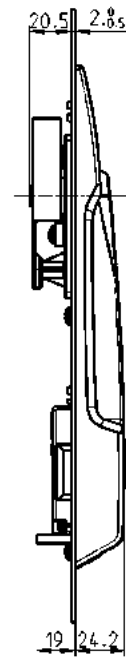
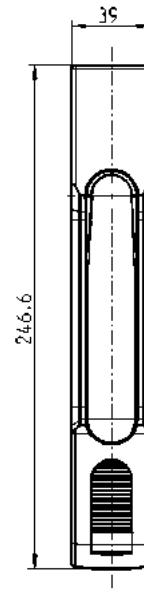
- 1 Swinghandle
- 2 Rod
- 3 Door
- 4 Cabinet/frame

3K-220

3K-100



Cut out



Bending area

Turn = Stroke
90° = 16 mm

Multicolour print possible

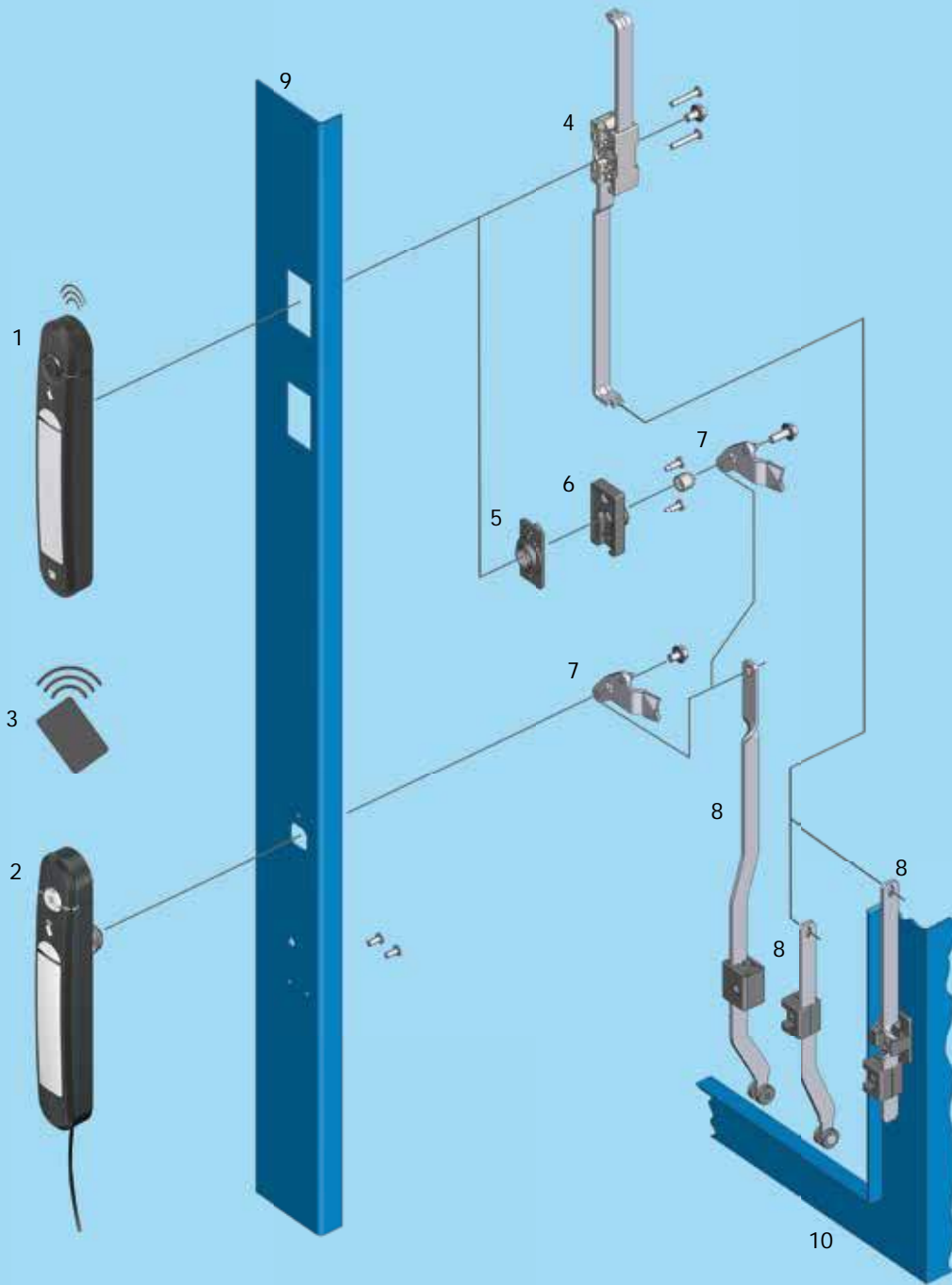
Further parts see page

- Locking set 3XA-120
- without push button 3XA-140
- with push button 3XA-240
- Locking set ELM Chapter 11

Swinghandle with pushbutton (2100-U56) polyamide GF black, lock zinc die, fixing material m.s. zinc plated, with seal

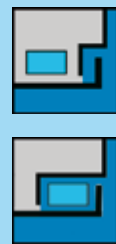
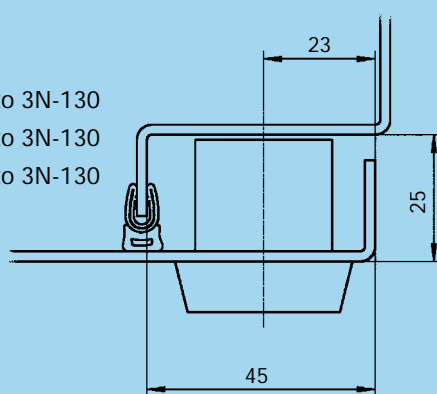
with push button	2400-U3
without push button	2400-U4

Swinghandle AGENT E Program 3000



- 1 Swinghandle for rod control or bearing bush
- 2 Swinghandle with quarter turn for cam
- 3 RFID Card
- 4 Rod control
- 5 Adapter plate for bearing bush
- 6 Bearing bush
- 7 Cam
- 8 Rod
- 9 Door
- 10 Cabinet/frame

3N-110 up to 3N-130
3N-110 up to 3N-130
3N-110 up to 3N-130



3N-100

Agent E Wired is the wired version of the electromechanical swinghandle program. It enables a central and complete logging of events. The authentication is done via RFID cards.

Features

- Authentication by 125 kHz or 13.25 MHz RFID cards. Remote opening is always possible in addition
- Handle type Wired Slave does not have its own authentication and is released in combination with master handle, zentral keypad/central card reader or by remote opening. The opening is effected by touching the sensor field
- 4 eyes principle for authentication with 2 authorised RFID cards
- The handle has one connection option for one door contact
- In combination with the Access Unit the centre LED in the sensor field can be actuated in order to signal possible malfunctions in the rack such as increased temperature
- Two handles Agent E Wired can be connected to one Access Unit
- Max. 32 Access Units can be administered by one Control Unit Wireless
- An emergency opening is possible by using the integrated USB port
- The installation in cabinets / racks of different manufacturers is solved with various adapters. On request



Swinghandle AGENT E consisting of:
 dish polyamide GF black;
 handle and shaft zinc-die powder-coated white aluminium;
 cable with RJ45 plug 4 m;
 mounting and operating instructions

	for rod control or bearing bush	for cam
Wired with RFID 125 kHz	on request	on request
Wired mit RFID 13.56 MHz	3000-U900-41	3000-U900-42
Wired Slave	on request	on request
RFID card		
125 kHz		3000-87
13.56 MHz		3000-88
Adapter set for bearing sleeve; adapter plate polyamide GF black; adapter m.s. precision casting zinc plated; fixing material m.s. zinc plated		
for door thickness 1.0 - 3.0		3000-U104-01
Adapter set for retrofitting		
various cabinet types		on request
USB adapter cable		
USB Standard-A on USB Micro-B		3000-U102

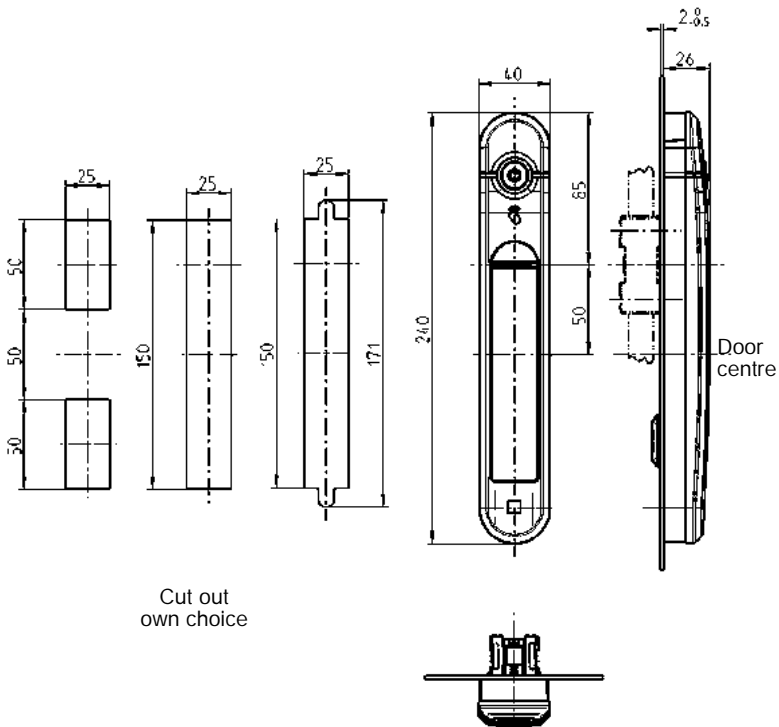
Further parts see page

- Access Unit 11A-230
- Door contact 11A-400
- Rod control 3YA-120
- 3YA-140
- Bearing bush 3YB-120
- Cam (GH=18) 1C-120

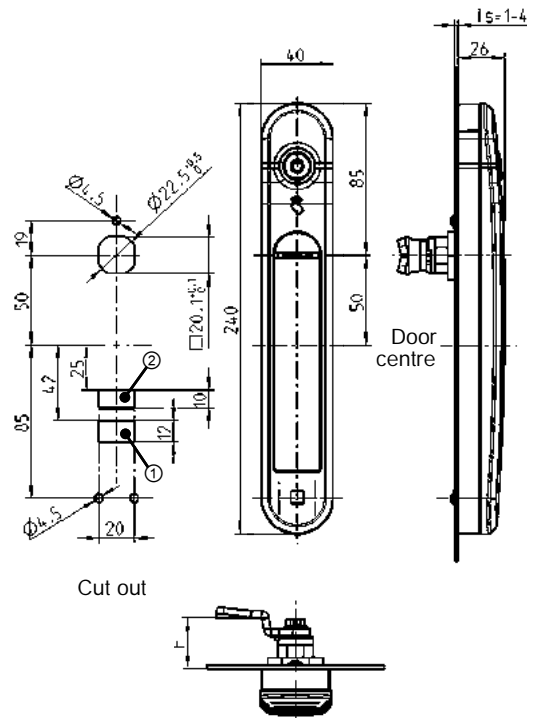
Schwenkgriff AGENT E Wireless

PROGRAM 3000

Swinghandle for rod control or bearing bush



Swinghandle for cam



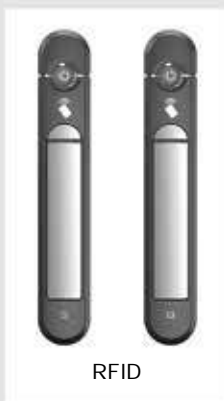
Required for
 ① = door contact
 ② = is not needed

Swinghandle Agent E Wireless - functions

TK = door contact

Mode of operation	Authentication	Power	Opening Standard	Opening Optional	Contact
Wireless (wireless network)	RFID Card (125 kHz or 13.56 MHz)	battery	immediately	--	Tk

per Control Unit Wireless max. 16 Access Units Wireless \cong max. 1,200 handles Agent E Wireless



Agent E Wireless



Access Unit Wireless



Control Unit Wireless

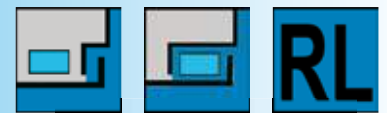


Control Cockpit

The Agent E Wireless is still the only swinghandle with wireless communication.
 Due to its wireless and thus cost-saving mounting it is most suitable for retrofitting in data centres.
 The authentication is done via RFID cards.
 A highly-efficient power management guarantees a long battery life.

Features

- Wireless communication for data exchange via wireless network with Access Units Wireless (industry standard depending on country regulation)
- One Control Unit Wireless can actuate up to 1,200 handles Agent E Wireless using Access Units Wireless in one wireless network
- The authentication can be effected by RFID cards with 125 kHz or 13.56 MHz. Remote opening is always possible in addition
- Extremely energy-efficient battery operation (running life battery min. 3 years)
- 4 eyes principle for authentication with 2 authorised RFID cards
- The handle has one connection option for one door contact
- An emergency power function is possible with the integrated USB port
- Agent E Wireless is most suitable for retrofitting due to its wireless mounting
- The installation in cabinets by different manufacturers is solved by means of various adapters. On request



Swinghandle AGENT E consisting of:
 dish polyamide GF black;
 handle and shaft zinc-die powder-coated white aluminium;
 2 batteries;
 mounting and operating instructions

③ Wireless type for all EU countries plus Switzerland and Norway	for rod control or bearing bush	for cam
Wireless with RFID 125 kHz	on request	on request
Wireless with RFID 13.56 MHz	3000-U911-41	3000-U911-42
RFID card		
125 kHz		3000-87
13.56 MHz		3000-88
Adapter set for bearing bush; adapter plate polyamide GF black; adapter m.s. precision casting zinc plated; fixing material m.s. zinc plated		
for door thickness 1.0 - 3.0		3000-U104-01
Adapter set for retrofitting		
various cabinet types		on request

③ **Note:**
 Wireless types for other countries on request

Other card systems such as e.g. Legic® or Mifare Desfire EV1 available on request

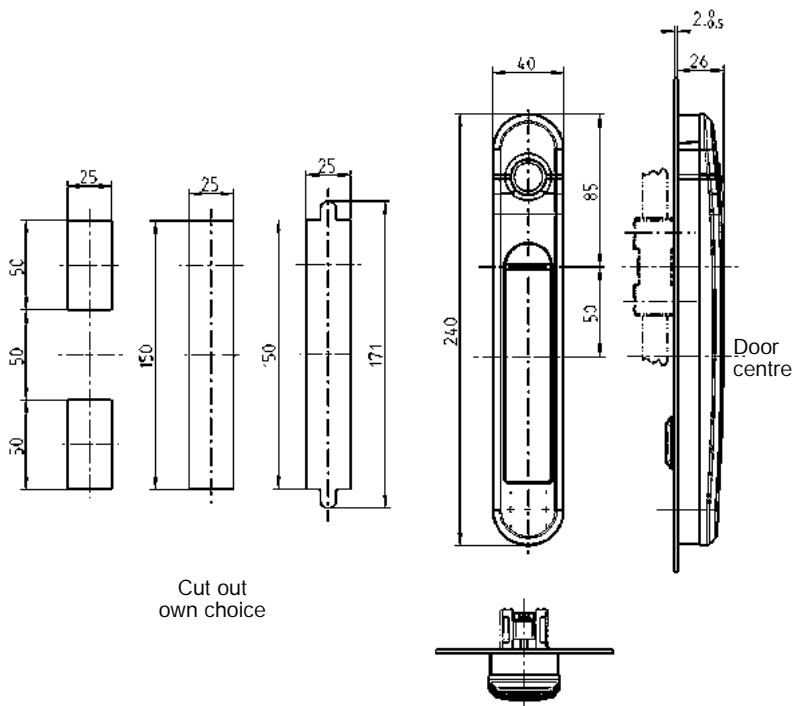
Further parts see page

- Access Unit Wireless 11A-220
- Door contact 11A-400
- Rod control 3YA-120
- 3YA-140
- Bearing bush 3YB-120
- Cam (GH=18) 1C-120

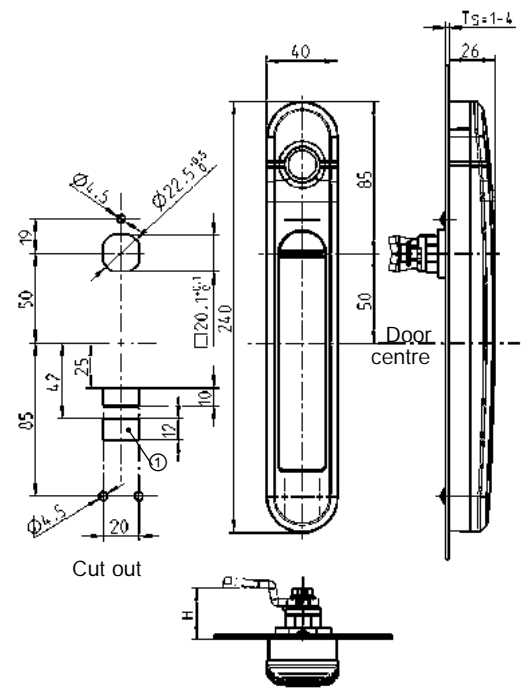
Swinghandle AGENT E RFID Stand-alone

PROGRAM 3000

Swinghandle for rod control or bearing bush



Swinghandle for cam



Required for
Ⓢ = door contact

Schwenkgriff Agent E RFID Stand-alone - functions

Tk = door contact; SA = status display

Mode of operation	Authentication	Power	Opening Standard	Opening Optional	Connection option
Stand-alone	RFID card (125 kHz or 13.56 MHz)	battery	immediately		Tk

max. 128 transponder cards per handle
Card management via USB with software tool



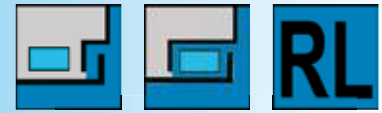
Agent E RFID Stand-alone

This version consist of a battery-operated AGENT E handle with integrated card reader for 125 kHz or 13.56 MHz transponder cards. By presenting an authorised card the handle will spring open. Easy to configure using software.

This handle does not require any external wiring for working.

Features

- Battery-operated handled with integrated RFID reader
- Authentication by 125 kHz or 13.56 MHz transponder cards
- Extremely energy-efficient battery operation (running life battery min. 3 years)
- Configuration via USB port with Agent E configuration software (card administration, time profiles, reading out event logs)
- All handles have a connection option for one door contact
- Data storage for 2,000 events
- Emergency power function and emergency opening via USB port
- The installation in cabinets by different manufacturers is solved by means of various adapters. On request



Swinghandle Agent E consisting of:
 dish polyamide GF black;
 handle and shaft zinc die white aluminium powder-coated;
 2 batteries, instructions

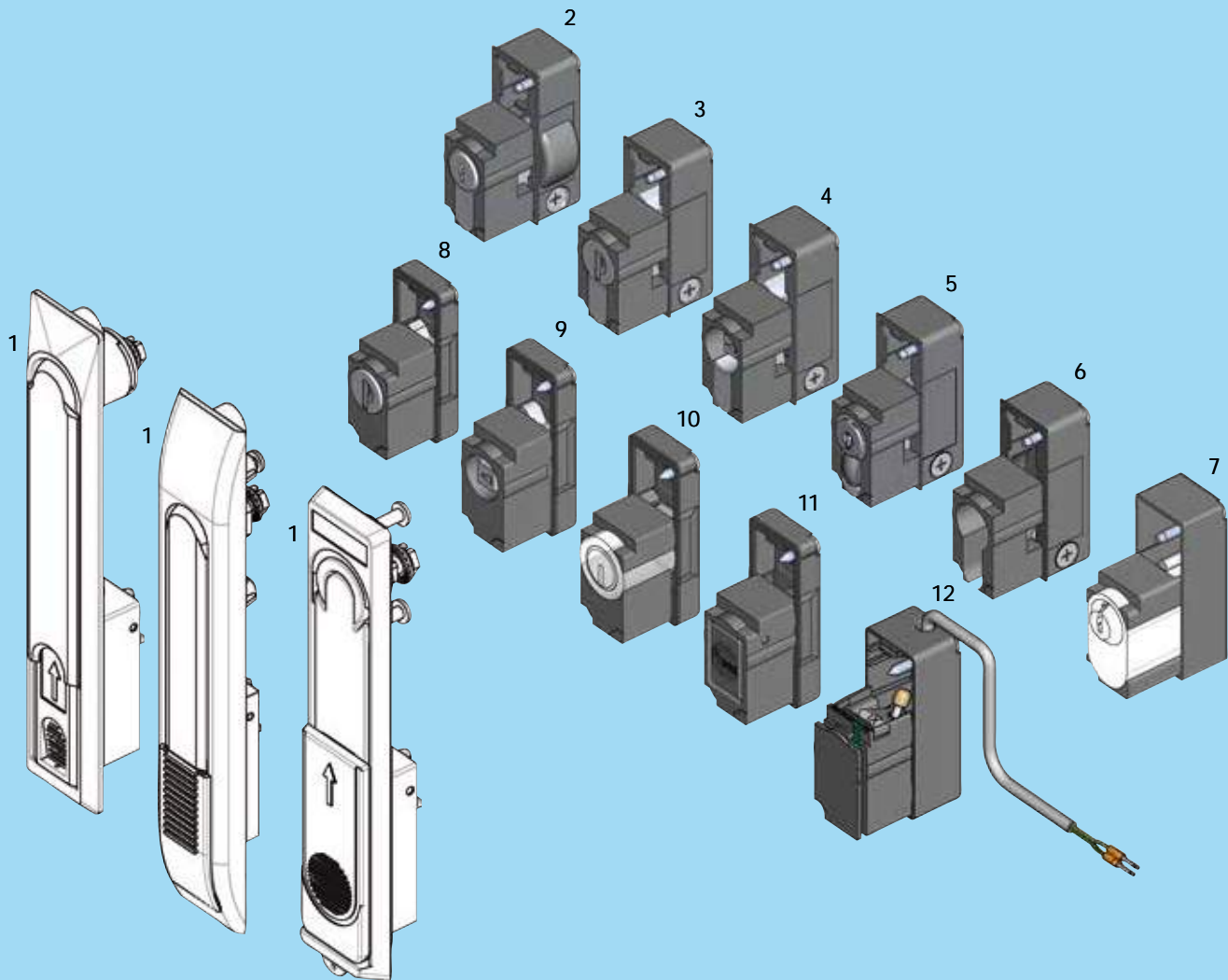
	for rod control or bearing bush	for cams
Stand-alone with RFID 125 kHz	on request	on request
Stand-alone with RFID 13.56 MHz	3000-U900-21	3000-U900-22
Transponder card		
125 kHz		3000-87
13.56 MHz		3000-88
Adapter set for bearing bush; adapter plate polyamide GF black; adapter m.s. precision casting zinc plated; fixing material m.s. zinc plated		
for door thickness 1.0 - 3.0		3000-U104-01
Adapter set for retrofitting		
various cabinet types		on request
USB adapter cable		
USB Standard-A on USB Micro-B		3000-U102

Further parts see page

- Rod control 3YA-120
- 3YA-140
- Bearing bush 3YB-120
- Cam (GH=18) 1C-120
- Door contact 11A-400

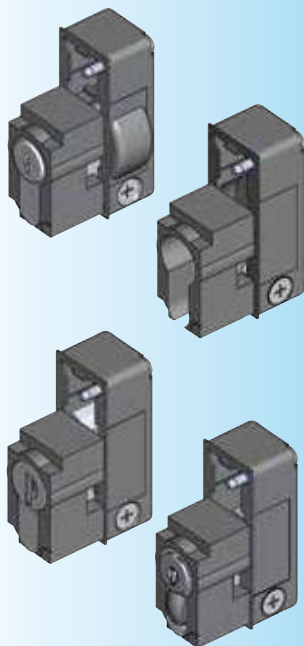
Locking sets

Program 1107, 1150, 1180, 1190, 1390, 2100, 2400

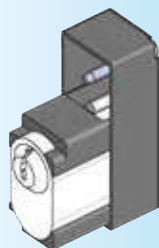


- 1 Swinghandle program 1107, 1150, 1180, 1190, 1390, 2100, 2400
- 2 Locking set with profile half cylinder according to DIN 18252
- 3 Locking set with profile half cylinder with round cylinder
- 4 Locking set with profile half cylinder with insert
- 5 Locking set with profile half cylinder with round cylinder and push button
- 6 Locking set for profile half cylinder according to DIN 18252 is provided by the customer
- 7 Locking set for ASSA-cylinder is provided by the customer
- 8 Locking set with round cylinder
- 9 Locking set with insert
- 10 Locking set for KABA-cylinder is provided by the customer
- 11 Locking set with push button
- 12 Locking set ELM see chapter 11

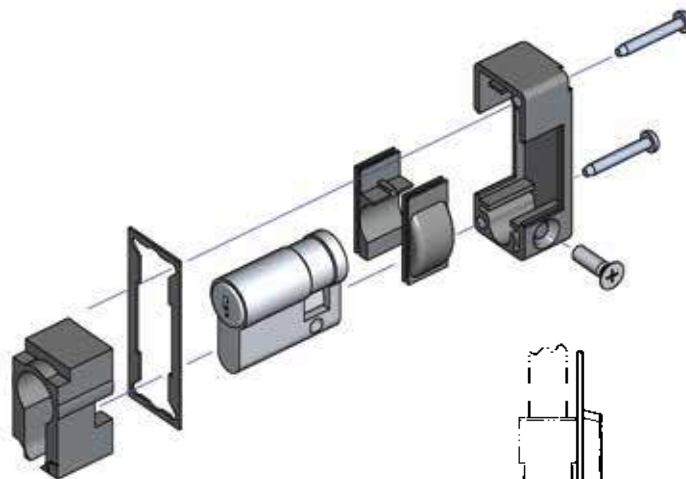
3XA-100



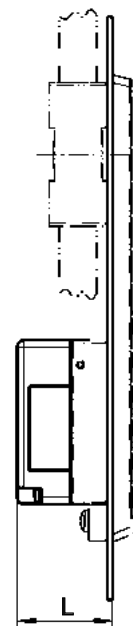
1109-U52 and 1109-U53.
In the unlocked position the handle operates by pressing the push button



2100-U6
for ASSA-cylinder. Attention!
ASSA-cylinder and 2 fixing screws
M5x8 are not included



PROGRAM	Dimension L
1150	.42
1180	.32
1190	.29,5
1390	-
2100	.36
2400	.23



Further parts see page
– Key 12B-120

Program 1150
– Swinghandle 1151 3C-420
3C-440

Program 1180
– Swinghandle 3E-120
up to 3E-520

Program 1190
– Lifthandle 3F-120

Program 1390
– Lifthandle 3FA-120

Program 2100
– Swinghandle 3H-320
up to 3H-420

Program 2400
– Swinghandle 3K-220

Locking set polyamide black with or without profile half cylinder or ASSA-cylinder, fixing material m.s. zinc pl., with seal

Locking set profile half cylinder according to DIN 18252, brass nickel plated with 3 keys

keyed different	1089-U5	keyed alike 110319 N	1089-U6
for 40 mm Profile half cylinder (A=30 mm) to be supplied by the customer			2100-U11

Locking set profile half cylinder with round cylinder zinc die with stainless steel cap and dust cap.

Each cylinder has one silver steel key with polyamide GF grip black.

keyed different	1109-U50	keyed EK333	1109-U51
-----------------	----------	-------------	----------

Locking set profile half cylinder with push button, round cylinder zinc die chrome plated.

Each cylinder has one silver steel key with polyamide GF grip black.

keyed different	1109-U52	keyed alike 2233X	1109-U53
-----------------	----------	-------------------	----------

Locking set profile half cylinder with insert zinc die chrome plated

Square 6	1109-U18	Double bit 3	1109-U34
Square 7	1109-U19	Double bit 5	1109-U35
Square 8	1109-U20	Hexagon female 10	1109-U27
Square 8 slotted	1109-U21	Square female 6	1109-U28
Triangular 6,5 CNOMO	1109-U22	Square female 8	1109-U29
Triangular 7	1109-U23	Daimler Benz	1109-U30
Triangular 8	1109-U24	Slot 1,2 x 3	1109-U31
Triangular 9	1109-U25	Slot 2 x 4	1109-U32
Triangular 10	1109-U26	Crown type	1109-U33
		Eastern Europe Ø 13	1109-U58

Locking set for ASSA-cylinder is provided by the customer (without seal)

2100-U6

Locking set

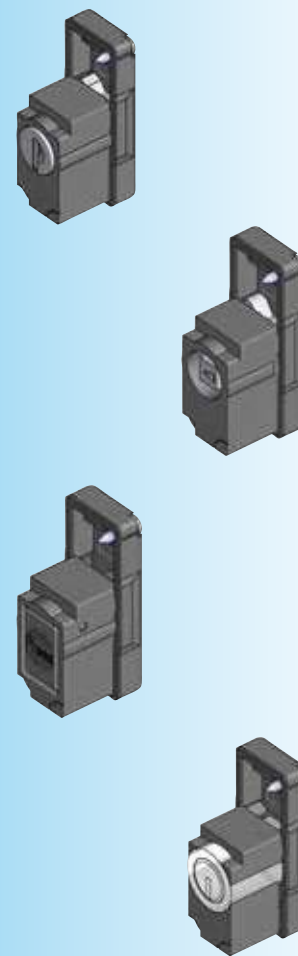
PROGRAM 1107, 1150, 1180, 1390, 2100, 2400

Beschlagteile

All round cylinders and inserts are spring loaded

PROGRAM Dimension L

1150	31,5
1180	21,5
1390	-
2100	25
2400	20



2100-U54
Prepared for KABA cylinder.
Attention! KABA-cylinder and 2 counter sunk screws M2,3x8 are not included!

Locking set polyamide black with round cylinder or insert, fixing material m.s. zinc plated, with seal			
Locking set round cylinder zinc die with stainless steel cap and dust cap. Each cylinder has one silver steel key with polyamide GF grip black.			
keyed EK333	2100-U48	keyed different	2100-U49
Assembling set for KABA cylinder type 1036 (cylinder from customer)			2100-U54
Locking set insert zinc die chrome plated			
Square 6	2100-U32	Hexagon female 10	2100-U41
Square 7	2100-U33	Square female 6	2100-U42
Square 8	2100-U34	Square female 8	2100-U43
Square 8 slotted	2100-U35	Daimler Benz	2100-U44
Triangular 6,5 CNOMO	2100-U36	FIAT version	2100-U53
Triangular 7	2100-U37	Slot 1,2 x 3	2100-U45
Triangular 8	2100-U38	Slot 2 x 4	2100-U46
Triangular 9	2100-U39	Crown type	2100-U47
Triangular 10	2100-U40	Eastern Europe Ø 13	2100-U58
Double bit 3	2100-U50	Push button	2100-U57
Double bit 5	2100-U51		

Further parts see page
– Key 12B-120

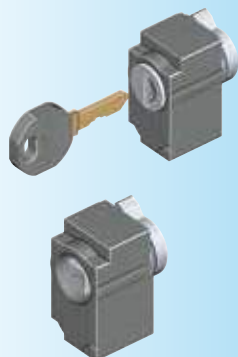
Program 1150
– Swinghandle 1151 3C-420
3C-440

Program 1180
– Swinghandle 1185 3E-520

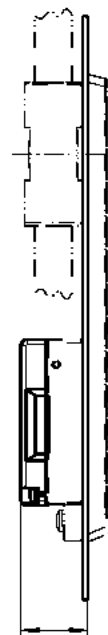
Program 1390
– Lifthandle 3FA-120

Program 2100
– Swinghandle 3H-320
up to 3H-420

Program 2400
– Swinghandle 3K-220



All round cylinders and inserts are spring loaded



PROGRAM.	Dimension L
1180 21,5
1190 29,5
2400 20

Locking set polyamide GF black, fixing material m.s. zinc plated

**Round cylinder zinc die with stainless steel cap and dust cap.
Each cylinder has one silver steel key with polyamide GF grip black.**

keyed EK 333	2100-B30
keyed different	2100-B31

Inserts: Chrome plated zinc alloy

Square 6	2100-B14
Square 7	2100-B15
Square 8	2100-B16
Square 8 slotted	2100-B17
Triangular 6,5 CNOMO	2100-B18
Triangular 7	2100-B19
Triangular 8	2100-B20
Triangular 9	2100-B21
Triangular 10	2100-B22
Double bit 3	2100-B32
Double bit 5	2100-B33
Hexagon female 10	2100-B23
Square female 6	2100-B24
Square female 8	2100-B25
Daimler Benz	2100-B26
FIAT version	2100-B34
Slot 1,2 x 3	2100-B27
Slot 2 x 4	2100-B28
Crown type	2100-B29
Eastern Europe Ø 13	2100-B36
Push button	2100-U56

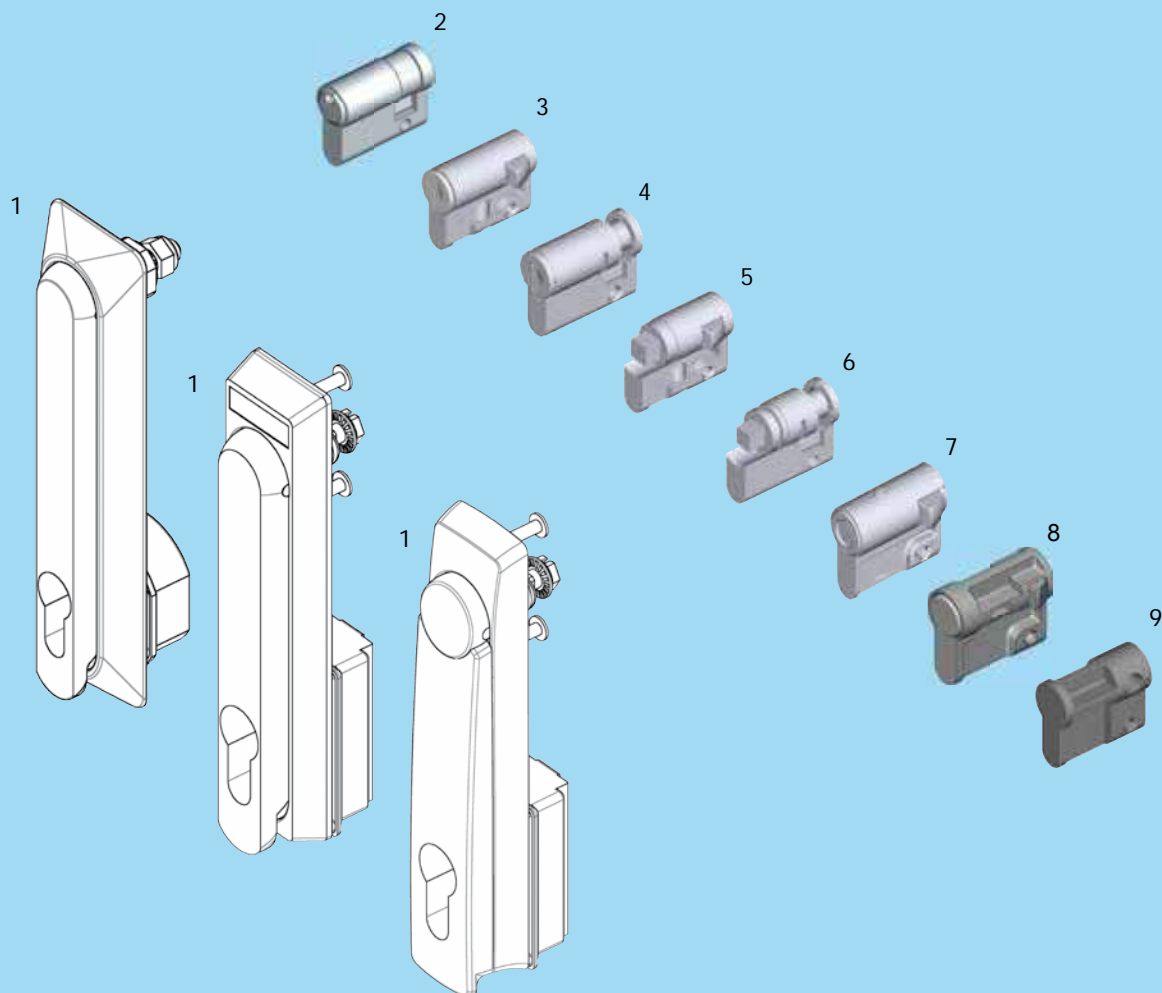
Further parts see page
– Key 12B-120

Program 1180
– Swinghandle 1180 3E-120
up to 3E-320

Program 1190
– Swinghandle 3F-120

Program 2400
– Swinghandle 3K-220

Locking set profile half cylinder



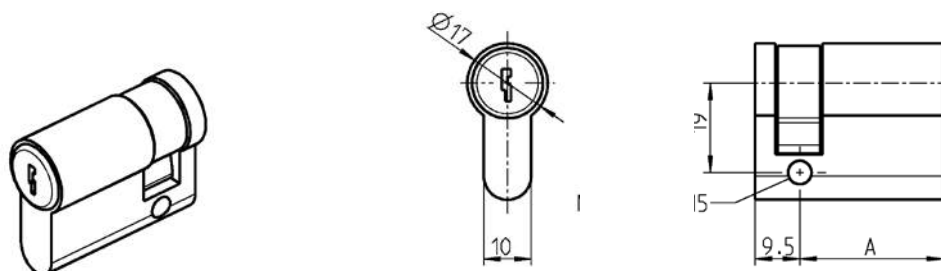
- 1 Swing handle Program 1107, 1125, 1150, 1225, 1190, 1317, 1325
- 2 Profile half cylinder DIN 18252
- 3 Profile half cylinder with spring loaded round cylinder
- 4 Profile half cylinder with round cylinder
- 5 Profile half cylinder with spring loaded insert
- 6 Profile half cylinder with insert
- 7 Profile half cylinder with spring loaded radial pin-push cylinder
- 8 Profile half cylinder with push button
- 9 Blind plug

3XB-100

Profile half cylinder

PROGRAM 1107, 1125, 1150, 1225, 1317, 1325

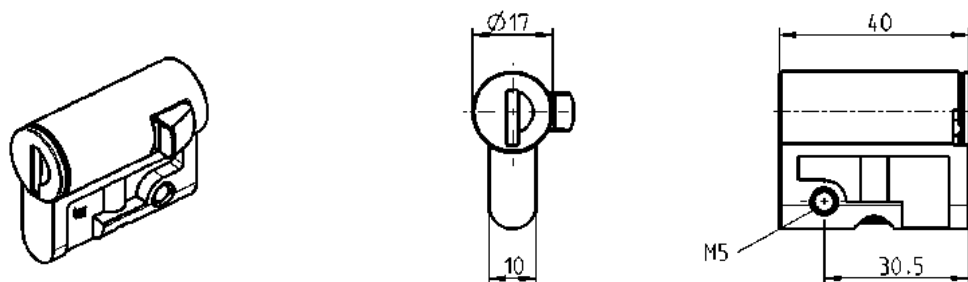
Profile half cylinder according to DIN 18252 (EN 1303)



Profile half cylinder according to DIN 18 252 brass nickel plated with 3 keys

keyed different	A = 30	1089-U1
keyed 110319 N	A = 30	1089-U2
(Master key system on request)		

EMKA profile half cylinder



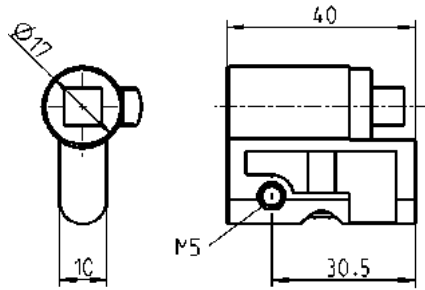
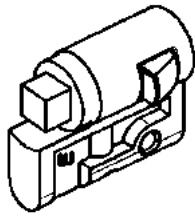
EMKA profile half cylinder with round cylinder zinc die with stainless steel cap and dust cap, one key made of nickel silver per round cylinder with grip polyamide GF black.

keyed different	1109-U1-N
keyed EK 333	1109-U2-N

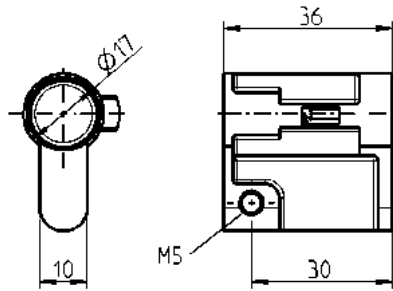
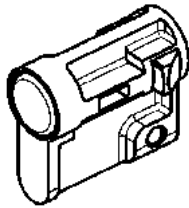
EMKA profile half cylinder with insert zinc die chrome plated, locking catch of slam type.

Square 6	1109-U4-N
Square 7	1109-U5-N
Square 8	1109-U6-N
Square 8 slotted	1109-U7-N
Triangular 6,5 CNOMO	1109-U17-N
Triangular 7	1109-U8-N
Triangular 8	1109-U9-N
Double bit 3	1109-U10-N
Double bit 5	1109-U11-N
Hexagon female 8	1109-U12-N
Hexagon female 10	1109-U13-N
Square female 8	1109-U55-N
Slot 2 x 4	1109-U14-N
Daimler Benz	1109-U15-N
Eastern Europe Ø 13	1109-U54-N

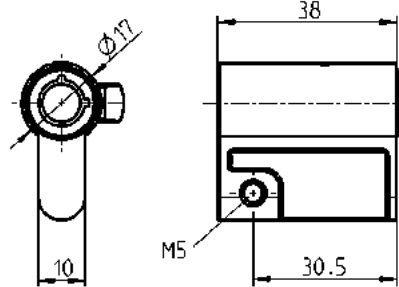
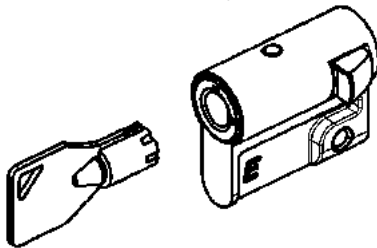
EMKA profile half cylinder with insert



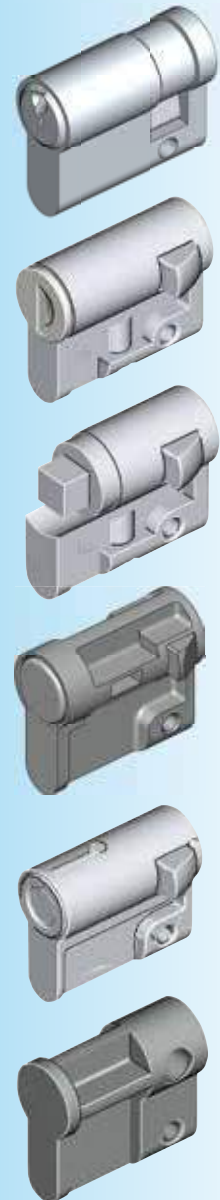
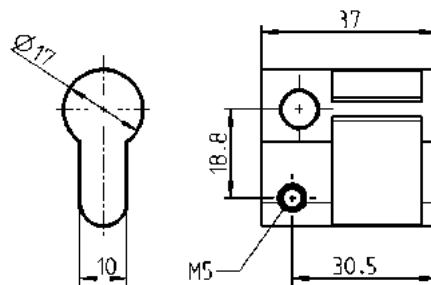
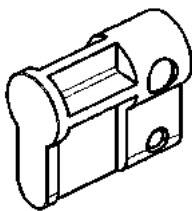
Push button-profile half cylinder



Radial pin-push half cylinder



Blind plug



Further parts see page

- Key 12B-120
- Spare key 12B-140
- Locking set 3XC-120

Program 1107

- Swinghandle 3A-120
- up to 3A-320

Program 1125

- Swinghandle 3B-220
- 3B-420

Program 1150

- Swinghandle 1153 3C-320
- Swinghandle 1154 3C-220
- 3C-260

Program 1190

- Swing handle 3F-330

Program 1225

- Swinghandle 3G-220

Program 1317

- Swinghandle 3AB-120
- 3AB-140

Program 1325

- Swinghandle 3BA-220

Push button profile half cylinder polyamide GF black

1109-U59

Radial pin-push cylinder zinc die Chrome plated, spring loaded

keyed 20001 1109-U60

keyed different 1109-U61

Spare key 20001 1108-U52

Spare key keyed different 1108-U52-V

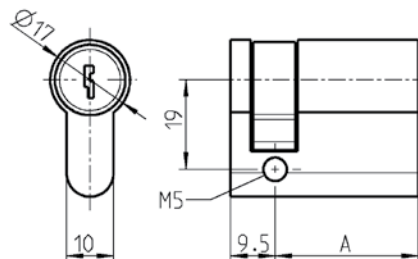
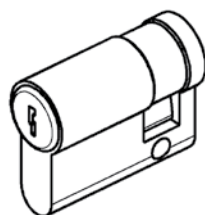
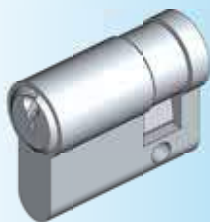
Blind plug polyamide black, spring loaded ball m.s. blacked

with spring loaded ball 1109-U3

without spring loaded ball 1109-09-AA

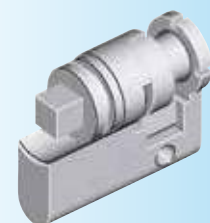
Profile half cylinder PROGRAM 1125, 1225, 1317

Profile half cylinder according to DIN 18 252 (EN 1303)

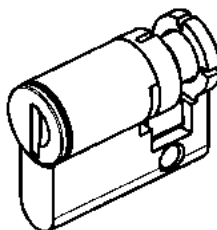


Profile half cylinder acc. to DIN 18 252 brass nickel plated with 3 keys;
Catch can be set at every 45°

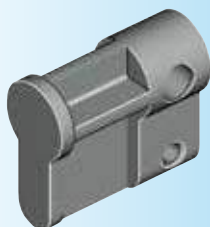
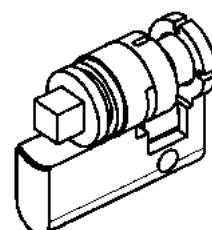
keyed different	A = 30	1089-U1
keyed 110319 N	A = 30	1089-U2
(Master key system on request)		



EMKA profile cylinder
with round cylinder
360° turn



EMKA profile half cylinder
with insert
360° turn



EMKA profile half cylinder with round cylinder zinc die with stainless steel cap and shutter with one key silver steel with grip polyamide GF black, turn 360°.

keyed different or keyed EK 333 on request

EMKA profile half cylinder with insert zinc die chrome pl., rotates 360°.

Inserts, e.g. square, triangular, double bit, slotted and more on request

Note:
For the swinghandles
1225-U60 (3G-320) only the
profile half cylinders
1089-U1 or 1089-U2 can be
used!

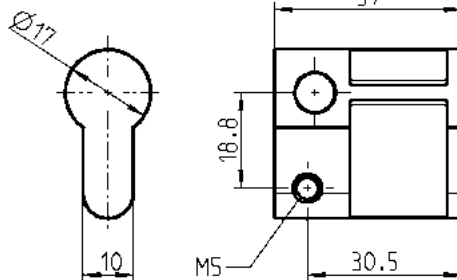
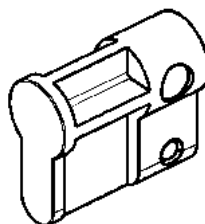
Further parts see page
– Key 12B-120
– Spare key 12B-140

Program 1125
– Swinghandle 3B-320

Program 1225
– Swinghandle 3G-320

Program 1317
– Swinghandle 3AB-160

Blind plug



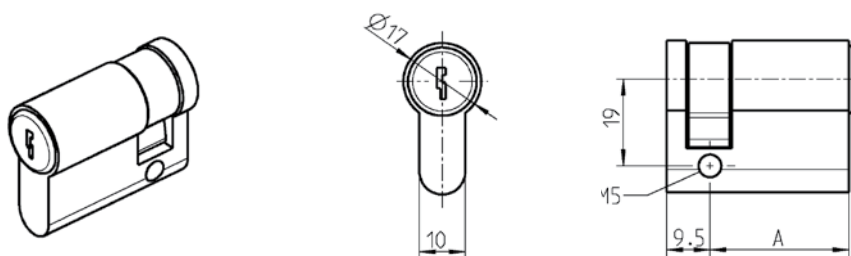
Blind plug polyamide GF black

1109-09-AA

Profile half cylinder

PROGRAM 1150, 1190

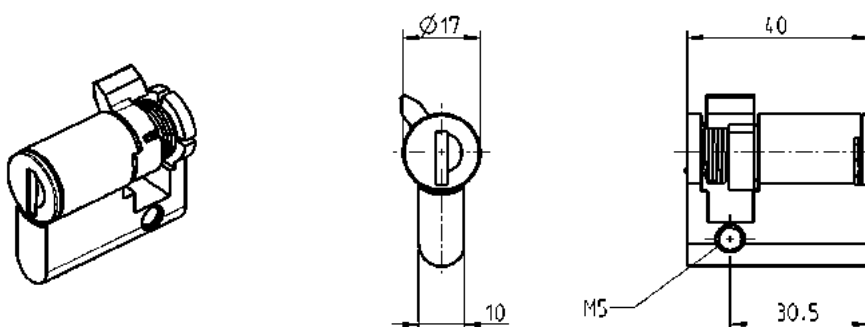
Profile cylinder according to DIN 18252 (EN 1303)



Profile half cylinder according to DIN 18 252 brass nickel plated with 3 keys
Cam can be turned every 45°

keyed different	A = 30	1089-U1
keyed 110319 N	A = 30	1089-U2
(Available as master key system)		

EMKA profile half cylinder

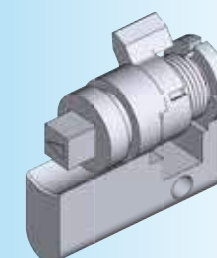
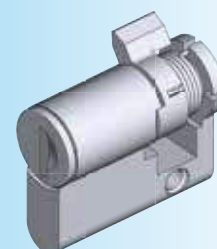


EMKA profile half cylinder with round cylinder zinc die with stainless steel cap and dust cap, key only removable in locked position, spring loaded return of catch into locked position. Each round cylinder has one silver steel key with polyamide grip GF black.

keyed different	1109-U50-01
keyed EK 333	1109-U51-01

EMKA profile half cylinder with insert zinc die chrome plated, spring loaded return of catch into locked position.

Square 6	1109-U18-01
Square 7	1109-U19-01
Square 8	1109-U20-01
Square 8 slotted	1109-U21-01
Triangular 6,5 CNOMO	1109-U22-01
Triangular 7	1109-U23-01
Triangular 8	1109-U24-01
Triangular 9	1109-U25-01
Triangular 10	1109-U26-01
Double bit 3	1109-U34-01
Double bit 5	1109-U35-01
Hexagon female 10	1109-U27-01
Square female 6	1109-U28-01
Square female 8	1109-U29-01
Daimler Benz	1109-U30-01
Slot 1,2 x 3	1109-U31-01
Slot 2 x 4	1109-U32-01
Crown type	1109-U33-01
Eastern Europe Ø 13	1109-U58-01



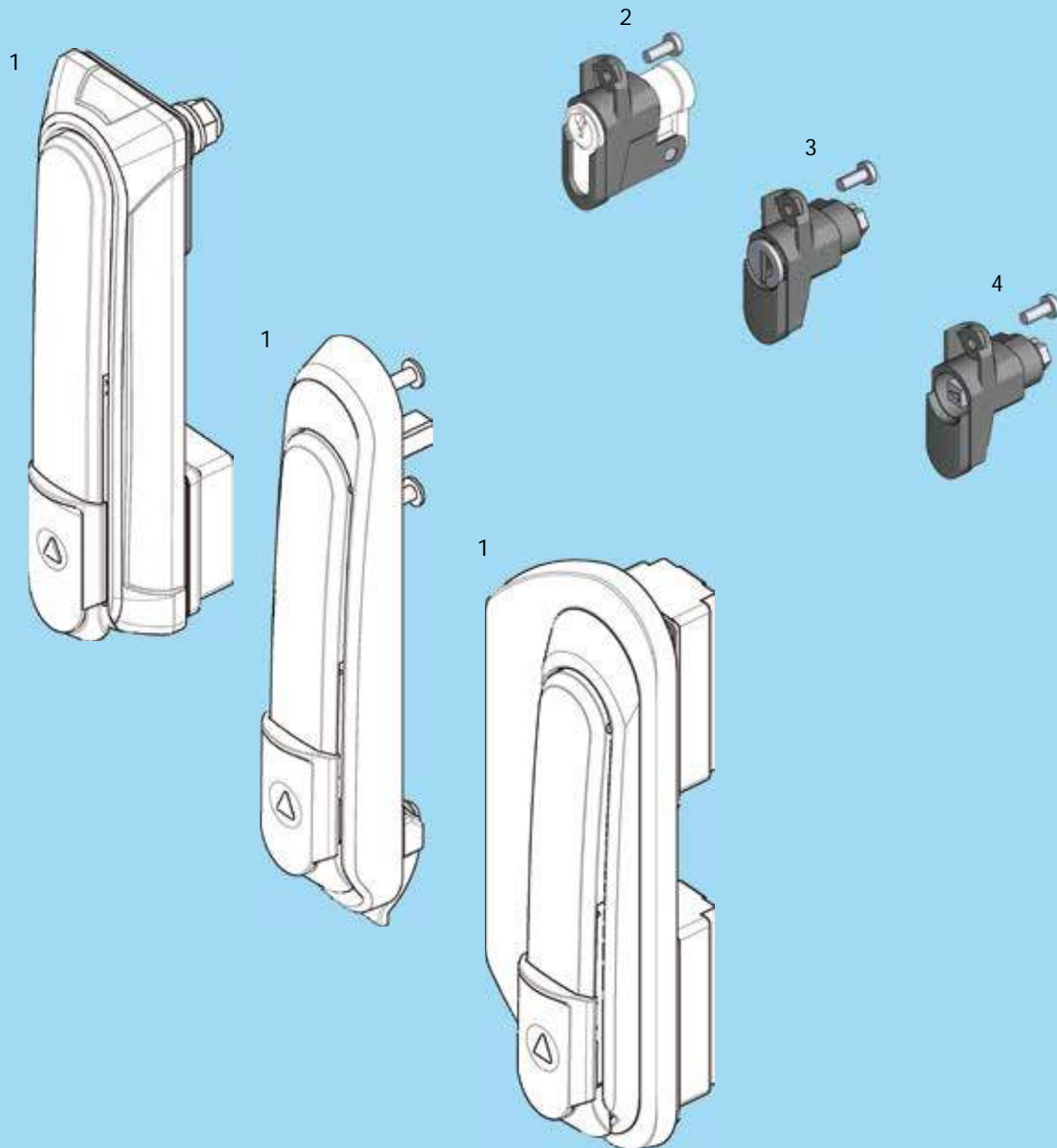
Further parts see page

– Key 12B-120
– Spare key 12B-140

Program 1150
– Swinghandle 1154 3C-280

Program 1190
– Swinghandle 3F-430

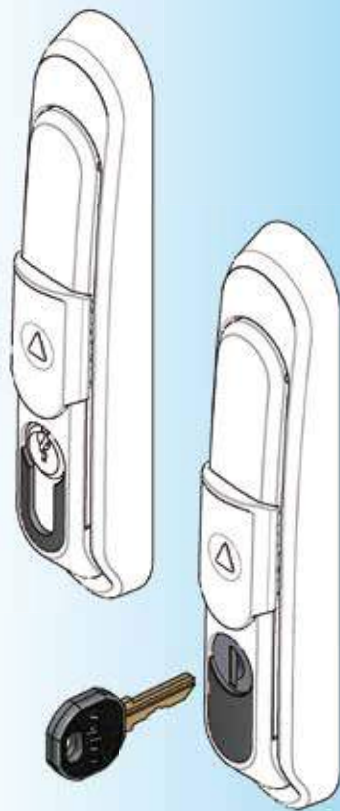
Locking sets



- 1 Swing handle Program 1317, 1325
- 2 Locking set for profile half cylinder DIN 18252
- 3 Locking set with round cylinder
- 4 Locking set with insert

3XC-100

(1) (In case of profile half cylinder the catch has to be set at 90°)

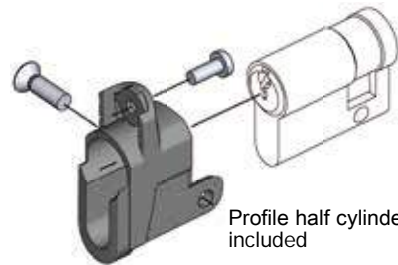


Further parts see page
 – Profile half cylinder 3XB-120
 (Blind plug without spring loaded ball not usable)

– Key 12B-120
 – Spare key 12B-140

Program 1317
 – Swinghandle 3AB-140

Program 1325
 – Swinghandle 3BA-220
 3BA-320



Profile half cylinder not included

Locking set polyamide GF black; screws m.s. zinc plated

for 40 mm profile half cylinder (A = 30 mm) (1)	1109-U101
---	-----------



Locking set polyamide GF black; round cylinder GD-Zn with stainless steel cap and shutter; screws m.s. zinc plated.

Each round cylinder has one nickel silver key with polyamide grip GF black.

keyed EK 333	1109-U103
keyed different	1109-U104

Assembly of swinghandle and locking set on request

1109-990



Locking set polyamide GF black; insert zinc die Chrome plated, screws m.s. zinc plated

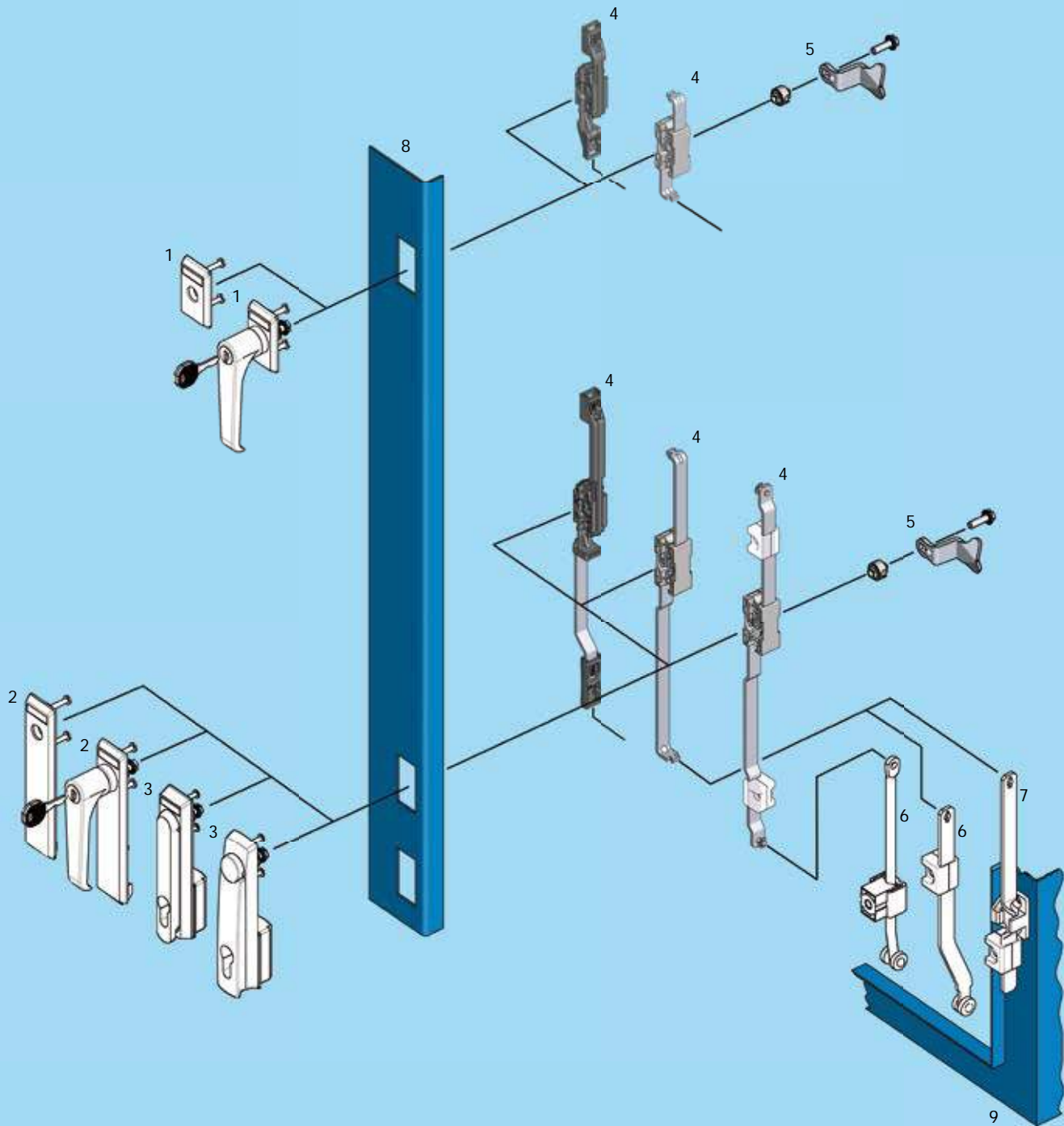
Square 6	1109-U105
Square 7	1109-U106
Square 8	1109-U107
Square 8 slotted	1109-U108
Triangular 6.5 CNOMO	1109-U109
Triangular 7	1109-U110
Triangular 8	1109-U111
Triangular 9	1109-U112
Triangular 10	1109-U113
Double bit 3	1109-U114
Double bit 5	1109-U115
Hexagon female 10	1109-U116
Square female 6	1109-U117
Square female 8	1109-U118
Daimler Benz	1109-U119
Slot 1.2 x 3	1109-U120
Slot 2 x 4	1109-U121
Crown type	1109-U122
Eastern Europe Ø 13 half-round	1109-U123

Assembly of swinghandle and locking set on request

1109-990

Rod control

Program 1125, 1150, 1225, 1325, 2100, 3000



- 1 Escutcheon short
- 2 Escutcheon long
- 3 Swinghandle
- 4 Rod control
- 5 Cam
- 6 Rod (inside the gasketing)
- 7 Rod (outside the gasketing)
- 8 Door
- 9 Cabinet/frame

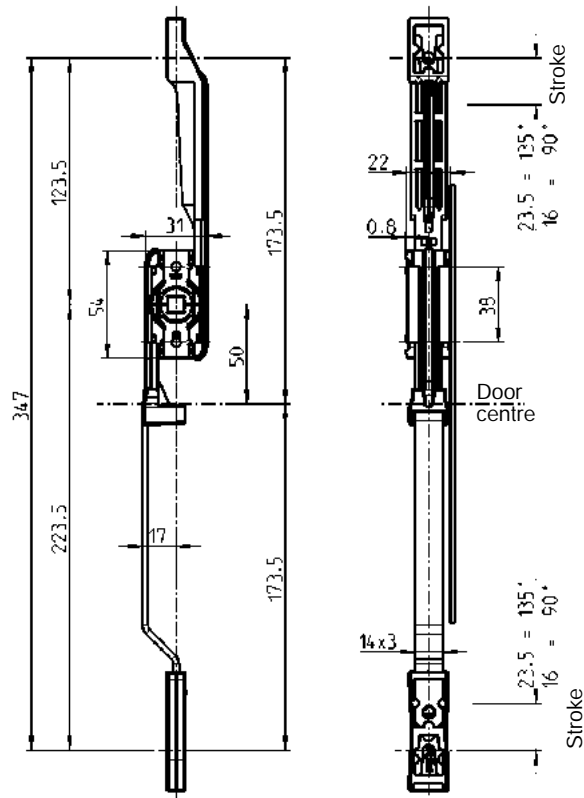
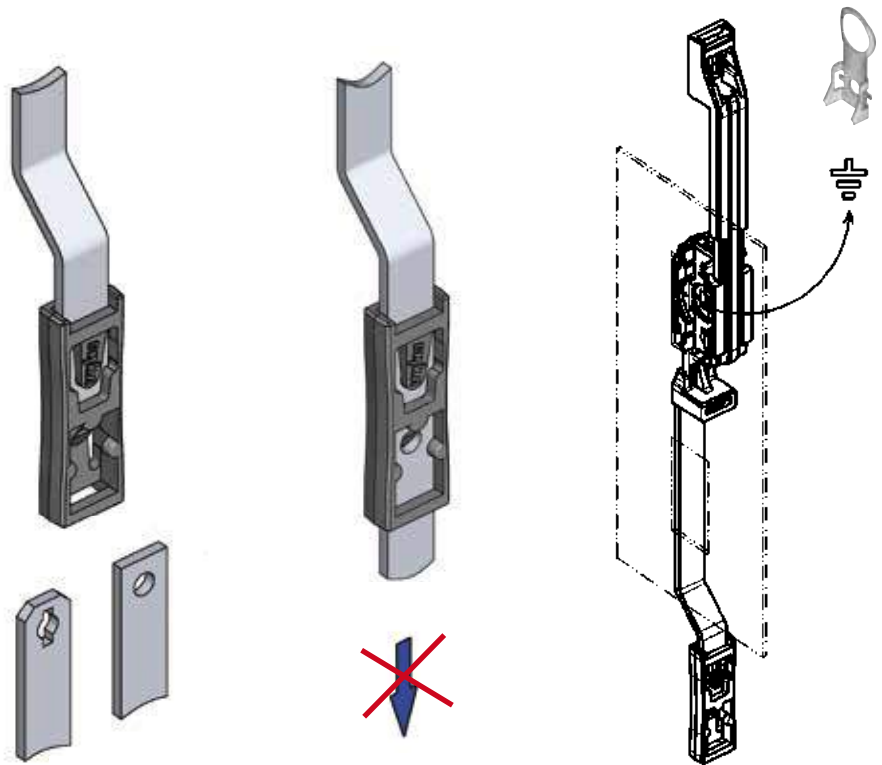
Program 1125, 1225
Program 1125, 1225, 1325, 2100
Program 1125, 1150, 1225, 1325, 2100, 3000
 3YA-110 to 3YA-540
 3YA-820, 3YA-840



3YA-100



Quick assembly of the rod



Further parts see page

- Rods
 - outside 3ZA-120
 - inside 3ZB-120 (only flat rods possible)
 - 3ZB-200
 - 3ZB-220
- Earthing device 3YA-720
- Cam 3YA-820 (Swing handle 1325) 3YA-840

- Program 1125**
- Escutcheon long 3B-120
 - 3B-180
 - Swinghandle 3B-220
 - 3B-420

- Program 1150**
- Swinghandle 1150 3C-160
 - 3C-720
 - up to 3C-750
 - Swinghandle 1153 3C-320

- Program 1225**
- Escutcheon long 3G-120
 - 3G-180
 - Swinghandle 3G-220
 - 3G-420

- Program 1325**
- Escutcheon 3BA-120
 - Swinghandle 3BA-220

- Program 3000**
- Swinghandle 3N-120

Rod control made of high performance plastics

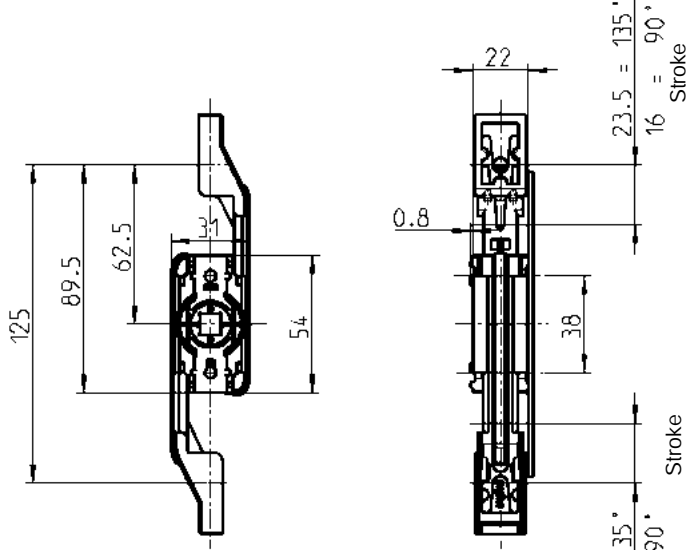
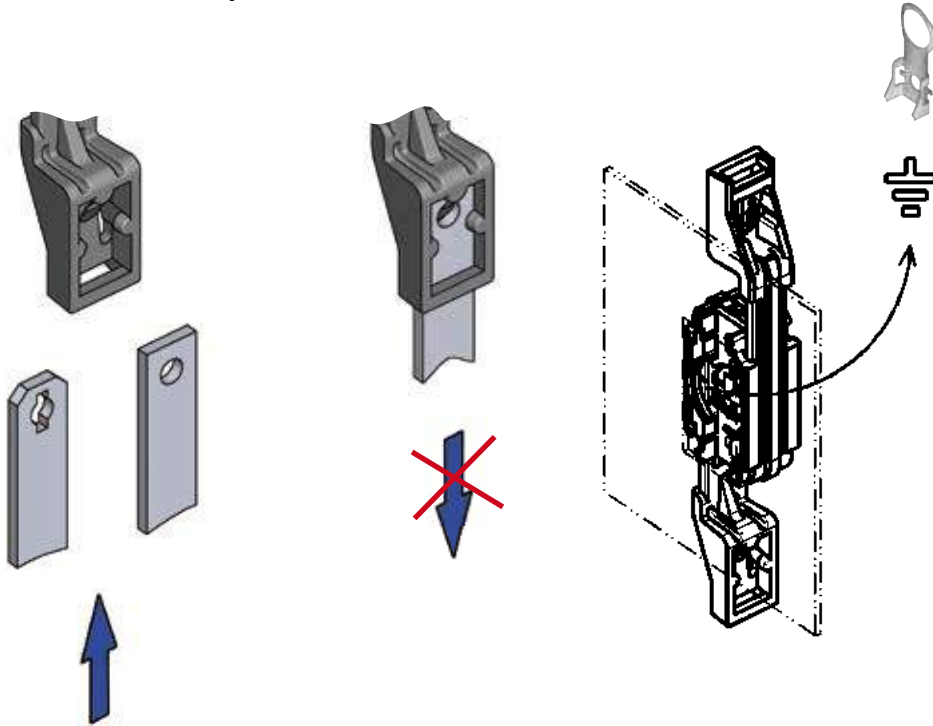
1121-U26-K

Rod control for flat rods

PROGRAM 1125, 1225



Quick assembly of the rod

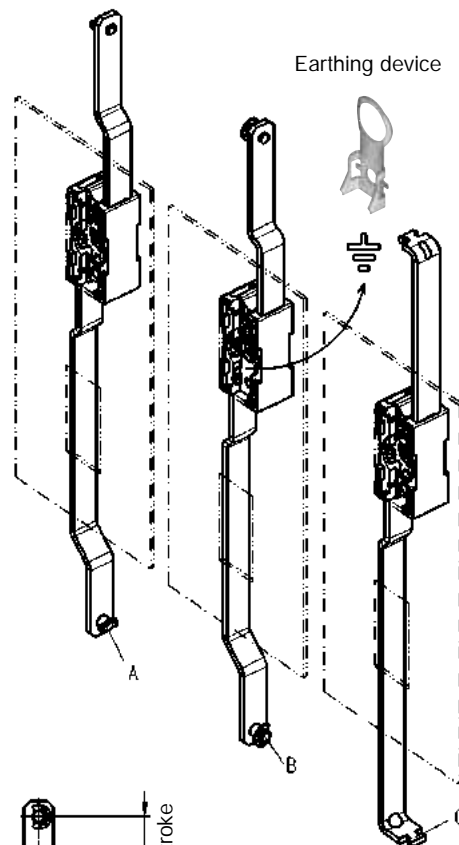
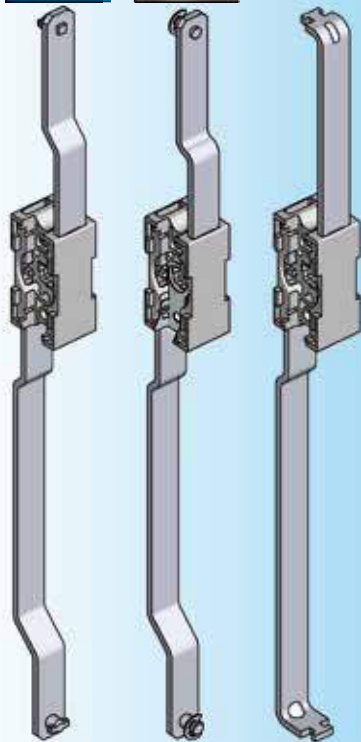


Further parts see page

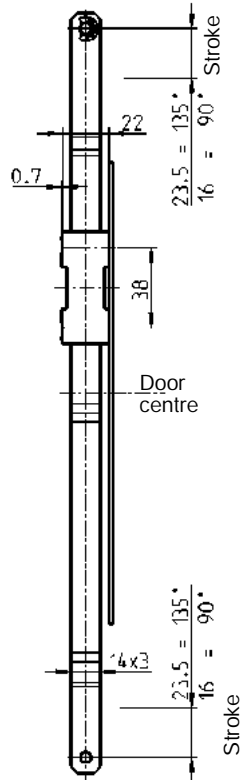
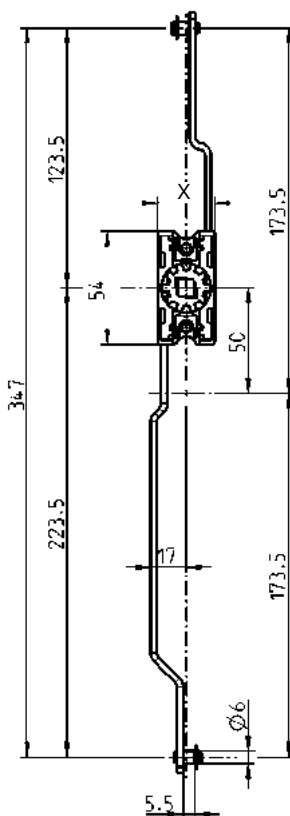
- Rods
 - inside (only flat rods possible) 3ZB-120
 - 3ZB-200
 - 3ZB-220
 - Earthing device 3YA-720
 - Cam 3YA-820
- Program 1125**
- Escutcheon short 3B-120
 - 3B-180
- Program 1225**
- Escutcheon short 3G-120
 - 3G-180

Rod control made of high performance plastics

1121-U1-K



X = 27 mm zinc die and polyamide
29 mm AISI



Further parts see page

- Rods
 - outside 3ZA-120
 - inside 3ZB-120 (only flat rods possible)
 - 3ZB-200
 - 3ZB-220
- Earthing device 3YA-720
- Cam 3YA-820
- (Swing handle 1325) 3YA-840

- Program 1125**
- Escutcheon long 3B-120
 - 3B-180
 - Swinghandle 3B-220
 - 3B-420

- Program 1150**
- Swinghandle 1150 3C-160
 - 3C-720
 - up to 3C-750
 - Swinghandle 1153 3C-320

- Program 1225**
- Escutcheon long 3G-120
 - 3G-180
 - Swinghandle 3G-220
 - 3G-420

- Program 1325**
- Escutcheon 3BA-120
 - Swinghandle 3BA-220

- Program 3000**
- Swinghandle up to 3N-110
 - up to 3N-130

Rod control: Material on choice

Rod control box	Rod	Version		
		A	B	C
Zinc die	m.s. zinc plated	1121-U125-C	1121-U26-C	1121-U85-C
polyamide black	AISI 304	-	1121-U178-C	-
polyamide black	aluminium	-	1121-U38-C	1121-U86-C
AISI 316	AISI 304	-	1121-U139	-

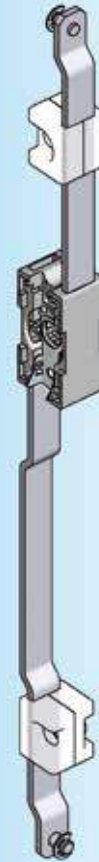
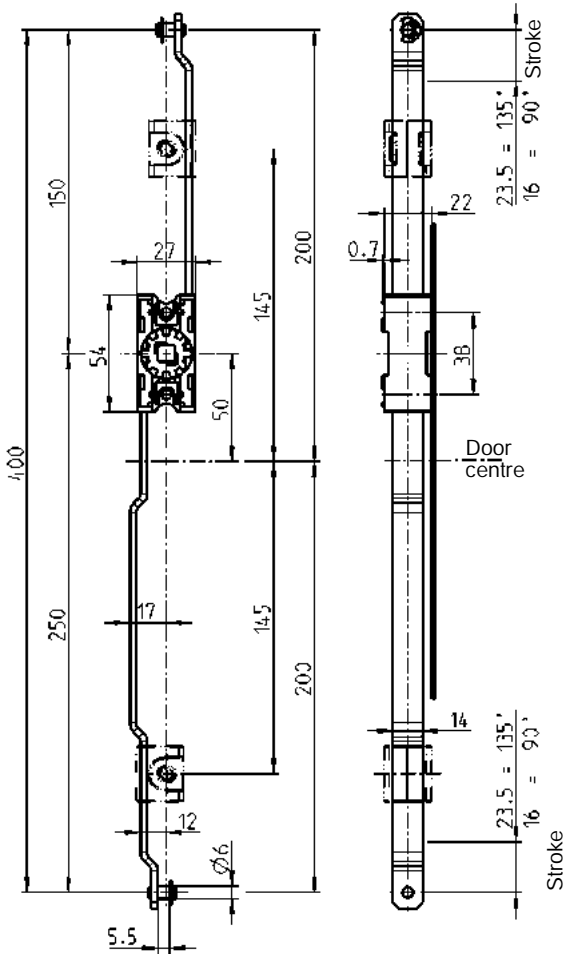
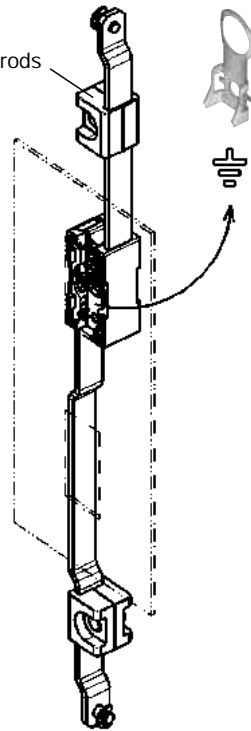
Rod control for round rods

PROGRAM 1125, 1150, 1225, 1325, 3000



Earthing device

Rod guide for flat rods



Further parts see page

- Rods
 - inside 3ZB-120
 - Rod guide 3ZC-120
 - up to 3ZC-170
- Earthing device 3YA-720
- Cam 3YA-820
- (Swing handle 1325) 3YA-840

Program 1125

- Escutcheon long 3B-120
- 3B-180
- Swinghandle 3B-220
- 3B-420

Program 1150

- Swinghandle 1150 3C-160
- 3C-720
- up to 3C-750
- Swinghandle 1153 3C-320

Program 1225

- Escutcheon long 3G-120
- 3G-180
- Swinghandle 3G-220
- 3G-420

Program 1325

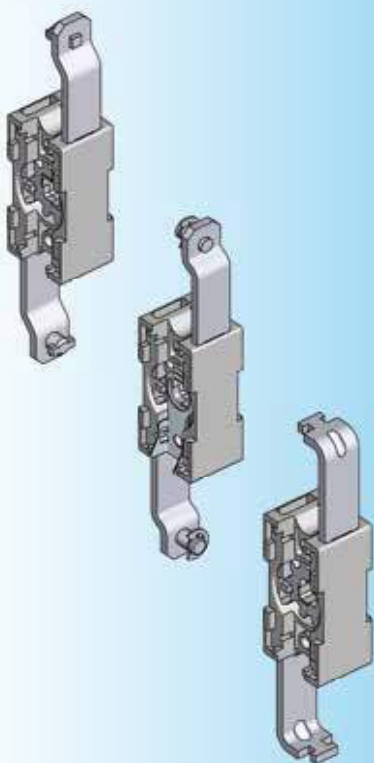
- Escutcheon 3BA-120
- Swinghandle 3BA-220

Program 3000

- Swinghandle 1150 3N-110
- up to 3N-130

Rod control material on choice

Rod control box	Rod	
Zinc die	m. s. zinc plated	1121-U29-C
polyamide black	aluminium	1121-U39-C

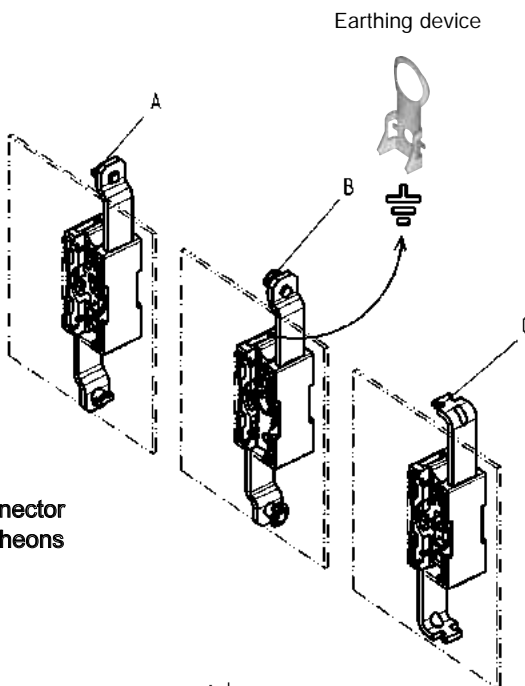


Further parts see page

- Rods
 - inside 3ZB-120
 - 3ZB-200
 - 3ZB-220
- Bridge 3YA-180
- Earthing device 3YA-720
- Cam 3YA-820

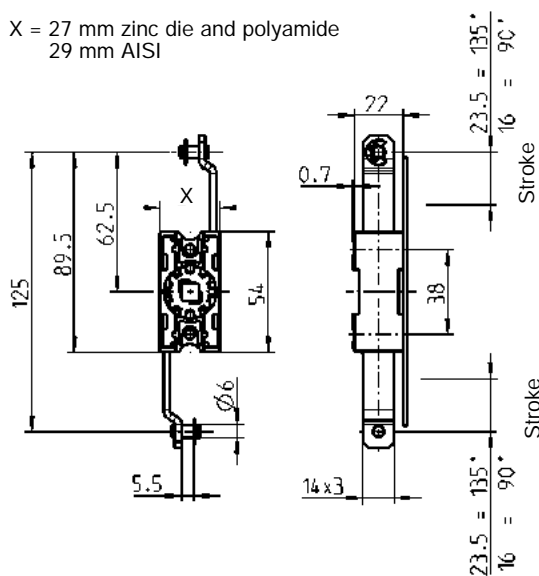
- Program 1125**
- Escutcheon short 3B-120
 - 3B-180

- Program 1225**
- Escutcheon short 3G-120
 - 3G-180
 - Swinghandle small version 3G-520



Rod control for short escutcheons
Version B in combination with connector
(3YA-180) suitable for long escutcheons
and swinghandles

X = 27 mm zinc die and polyamide
29 mm AISI



Rod control with two rods: Material on choice

Rod control box	Rod	Version		
		A	B	C
Zinc die	m.s. zinc plated	1121-U124-C	1121-U1-C	1121-U153-C
polyamide black	AISI 304	-	1121-U177-C	-
polyamide black	aluminium	-	1121-U37-C	1121-U154-C
AISI 316	AISI 304	-	1121-U138	-

Rod control with one rod

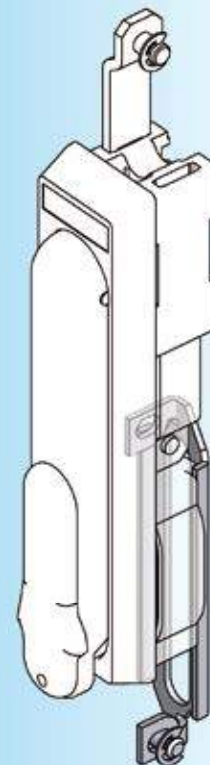
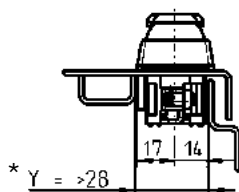
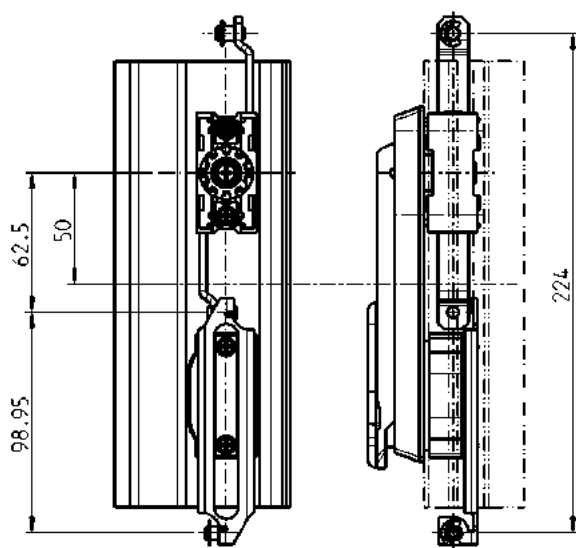
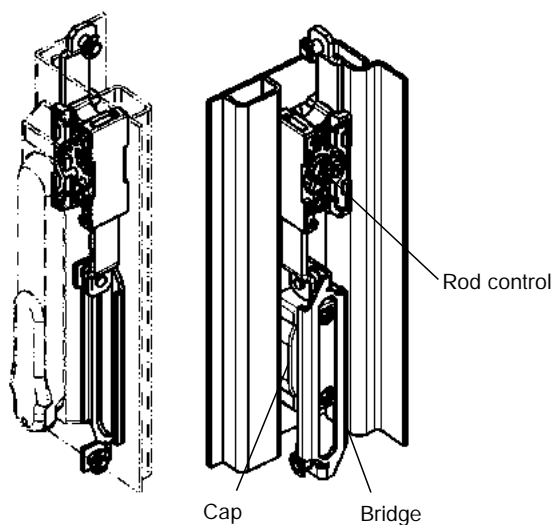
Rod control box	Rod	Version		
		A	B	C
polyamide black	aluminium	-	1121-U61-C	-

Rod control without rods, with swing stopper aluminium, turn 90°


Rod control box	Rod	Version		
		A	B	C
polyamide black	-	-	1121-U60-C	-

Connector for smaller width

PROGRAM 1125, 1225, 1325



Further parts see page

- Rods	
 inside	3ZB-120 3ZB-200 3ZB-220 3YA-160
- Rod control (Version B)	
Program 1125	
- Escutcheon long	3B-120 3B-180
- Swinghandle	3B-220 3B-420
Program 1225	
- Escutcheon long	3G-120 3G-180
- Swinghandle	3G-220 3G-420
Program 1325	
- Escutcheon	3BA-120
- Swinghandle	3BA-220

By using the connector in combination with a rod control 3YA-160) version B, less width is required. In case of mounting the long escutcheon or the swing handles, each with cap, the rod length above and below is the same.

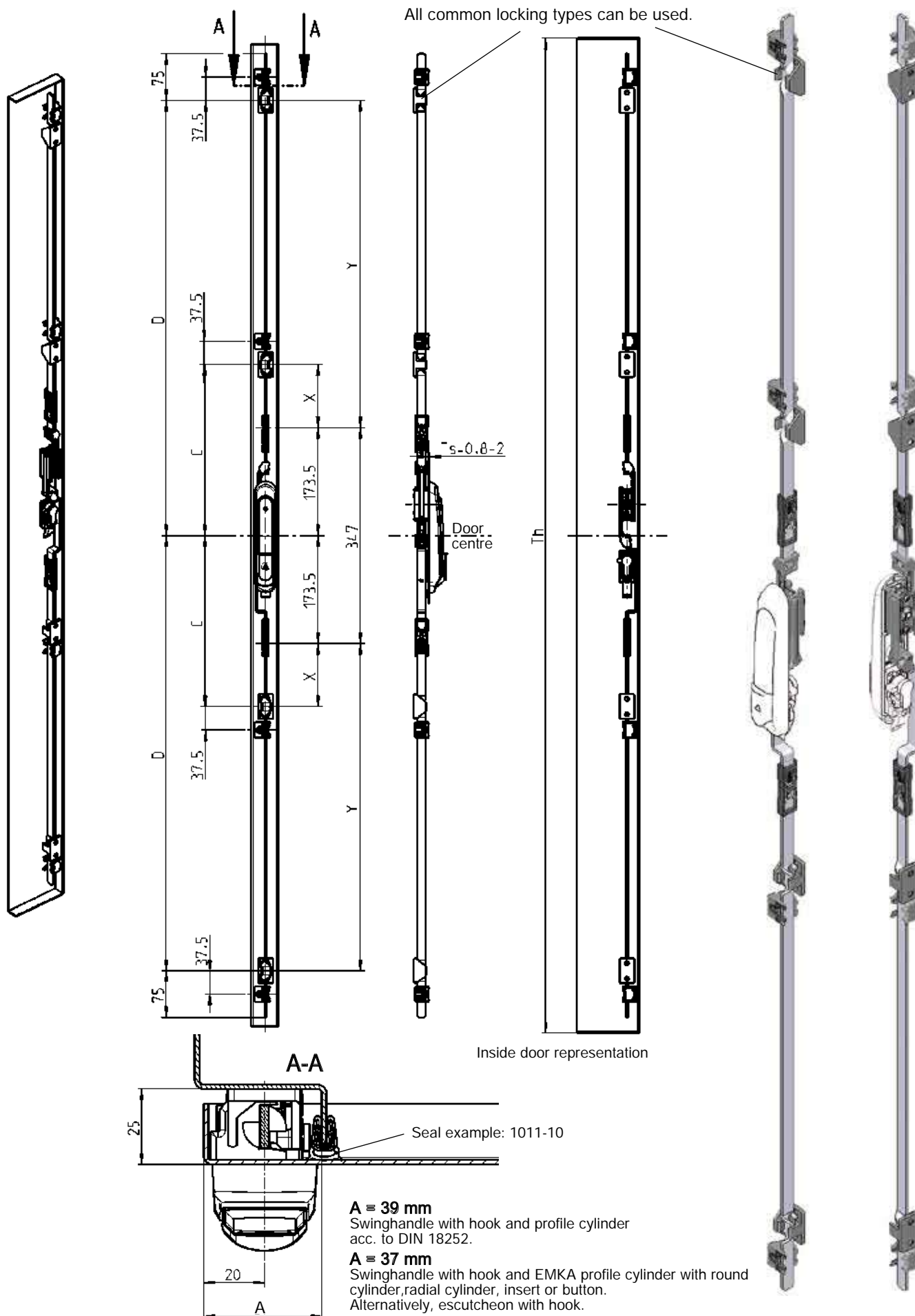
* In case of a smaller dimension Y rear cap with flat seal (without PUR-foamed seal) has to be ordered separately on request.

Connector, rivet pin m.s. zinc plated, circlips spring steel zinc plated

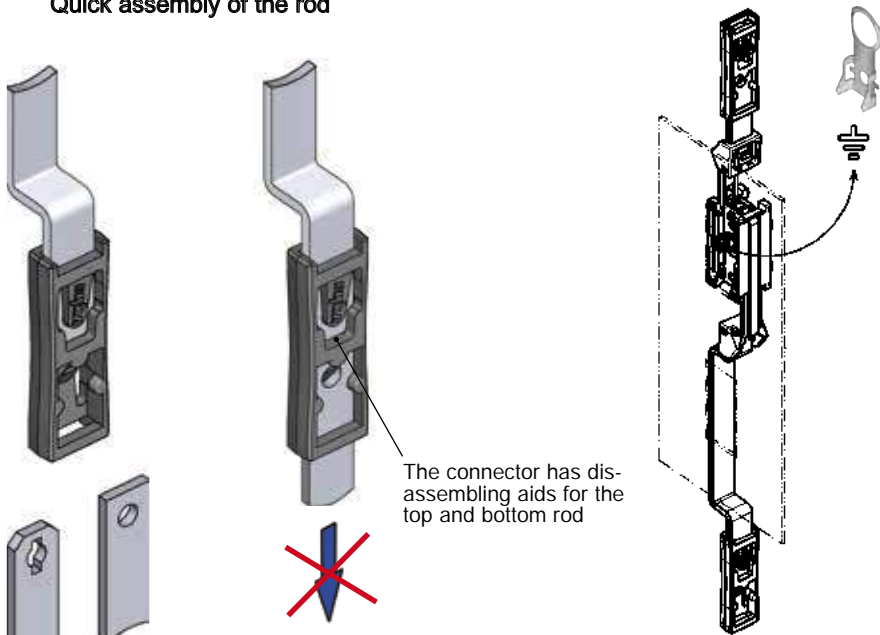
1121-U65

Rod control for flat rods

PROGRAM 1125, 1225, 1325, 3000



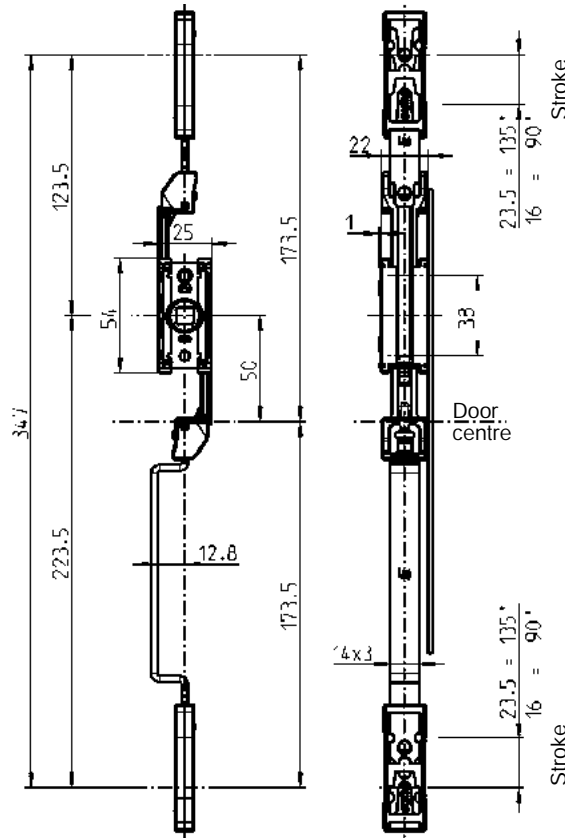
Quick assembly of the rod



The connector has disassembling aids for the top and bottom rod

Product benefits

- slim design
- very compact design
- Lock length, rod control and stroke correspond to 1121-U26-K
- saved space of up to 8 mm in the area of door return
- patented!



This rod control can be used in combination with the swinghandles or the escutcheons with hook of the programs 1125, 1225 and 1325. Swinghandle and escutcheon with cover cannot be used.

Rod control made of high performance plastics; flat rod m.s. zinc plated

1122-U26-K

Earthing device stainless steel

1122-117



Note:
Can only be assembled in cut out version A

Note:
Can only be assembled in certain cut out. (similar cut out 1125)

Further parts see page

– Rods

outside 3ZA-120

inside 3ZB-120
(only flat rods possible)

3ZB-200

3ZB-220

Program 1125

– Escutcheon 1121 3B-120

– Escutcheon 1123 3B-180

– Swinghandle 3B-220

Program 1225

– Escutcheon 1221 3G-120

– Escutcheon 1223 3G-180

– Swinghandle 3G-220

Program 1325 ①

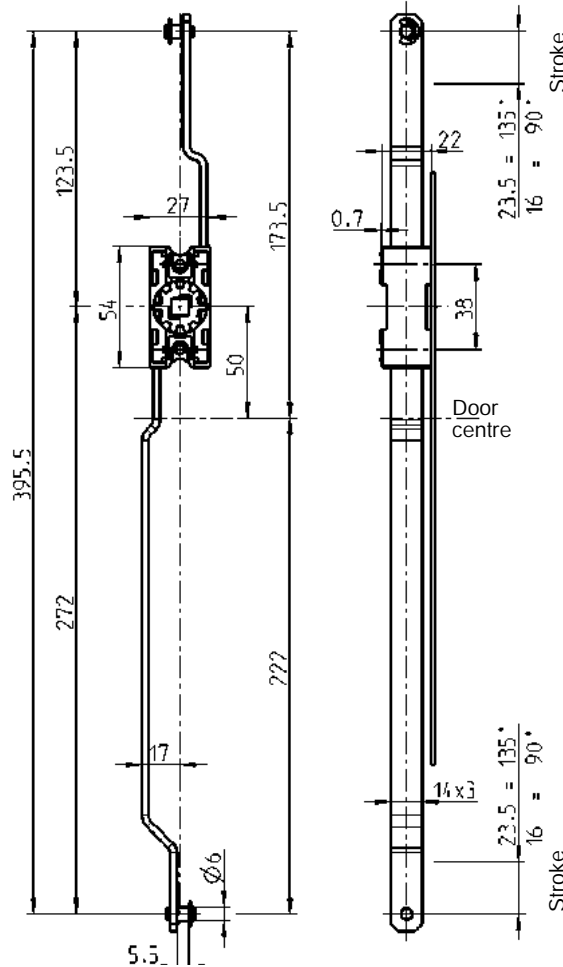
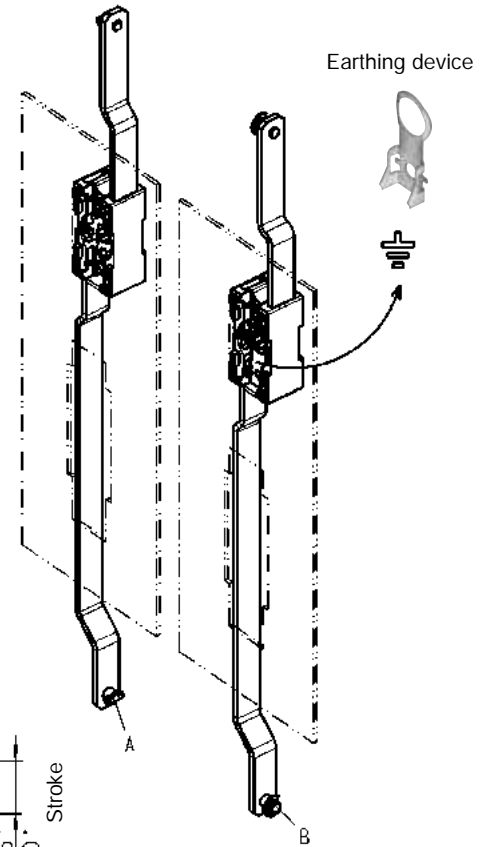
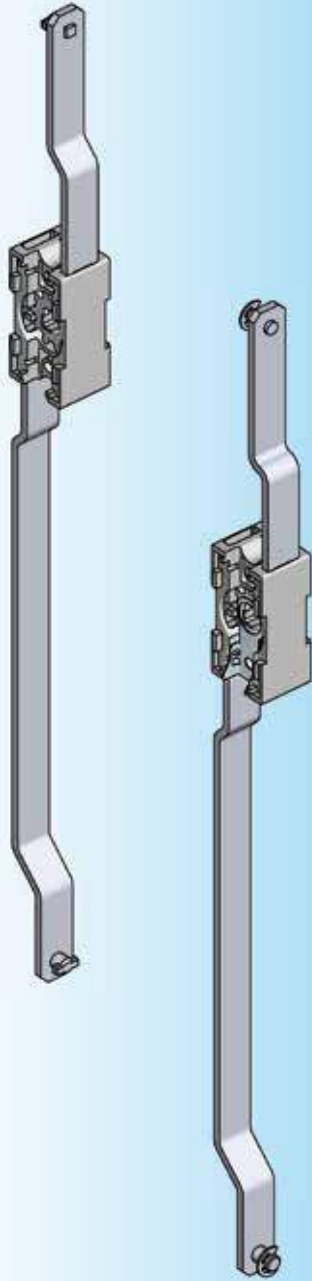
– Escutcheon 1321 3BA-120

– Swinghandle 3BA-220

Program 3000 ②

– Swinghandle 3N-110

up to 3N-130



Further parts see page

– Rods

inside

3ZB-120
3ZB-200
3ZB-220
3YA-720
3YA-820

– Earthing device
– Cam

Program 1125

– Swinghandle

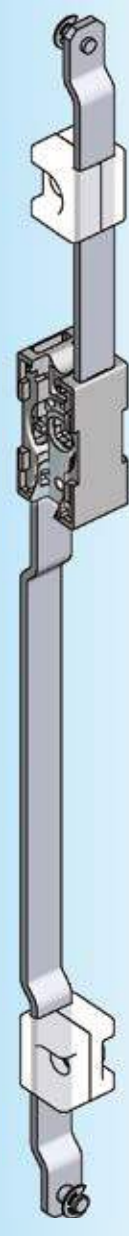
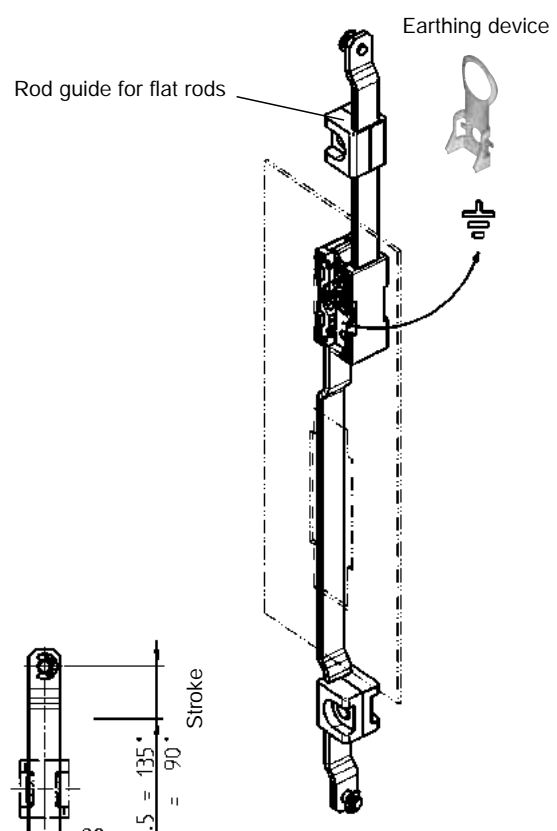
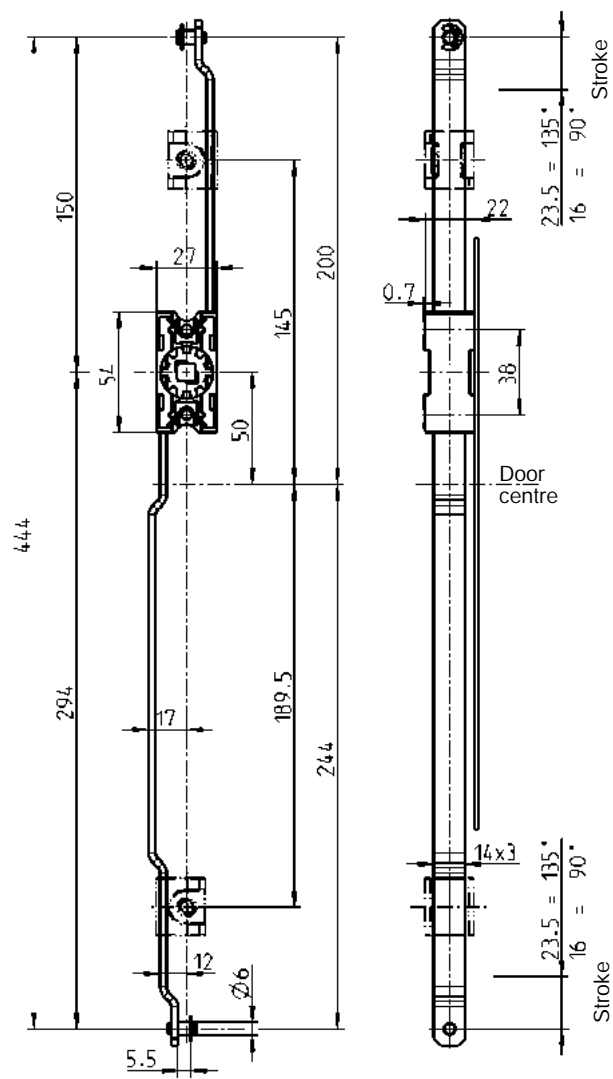
3B-320

Rod control: Material on choice

Rod control box	Rod	Version	
		A	B
Zinc die	m.s. zinc plated	1121-U126-C	1121-U51-C
polyamide black	aluminium	–	1121-U53-C

Rod control for round rods

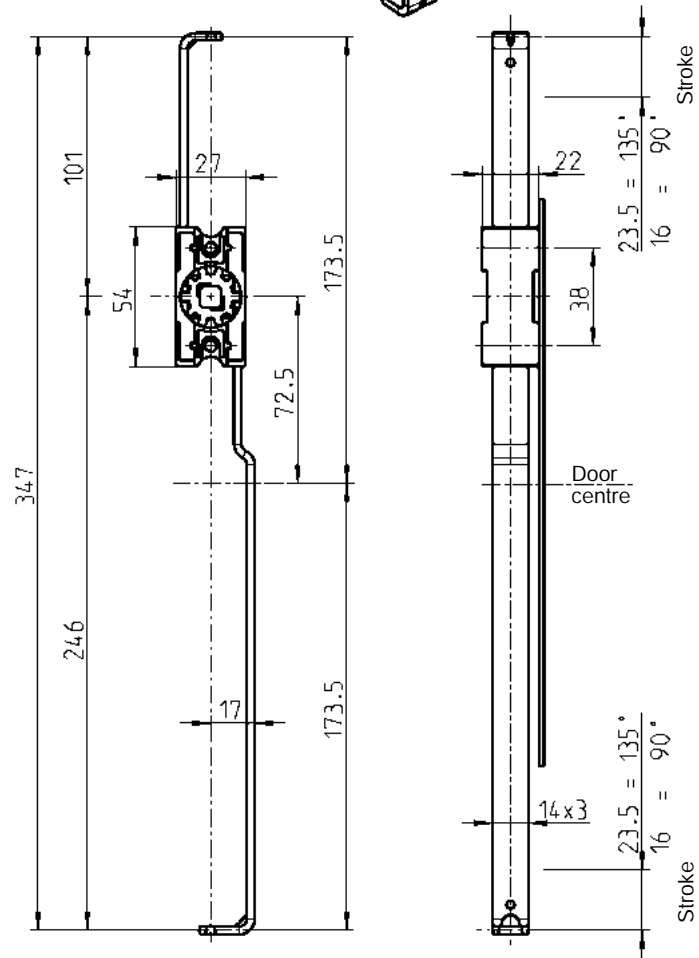
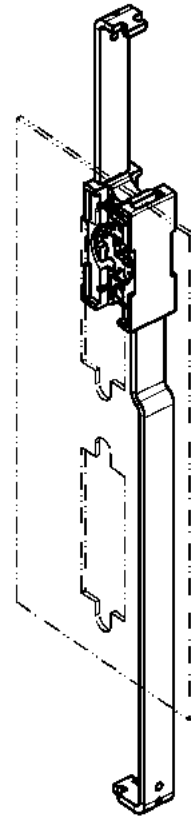
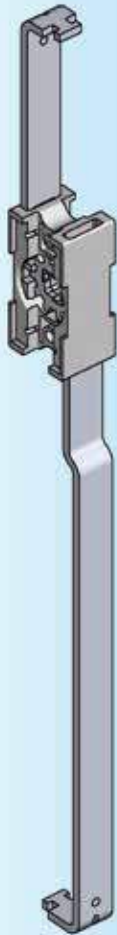
PROGRAM 1125



- Further parts see page**
- Rods 3ZB-120
 - Rod guide 3ZC-120
 - Earthing device 3YA-720
 - Cam 3YA-820
- Program 1125**
- Swinghandle 3B-320

Rod control zinc die; rods m.s. zinc plated

1121-U52-C



Further parts see page

– Rods

outside

3ZA-120

3ZA-320

inside

3ZB-120

3ZB-200

3ZB-220

– Cam

3YA-820

Program 1150

– Swinghandle 1151

3C-440

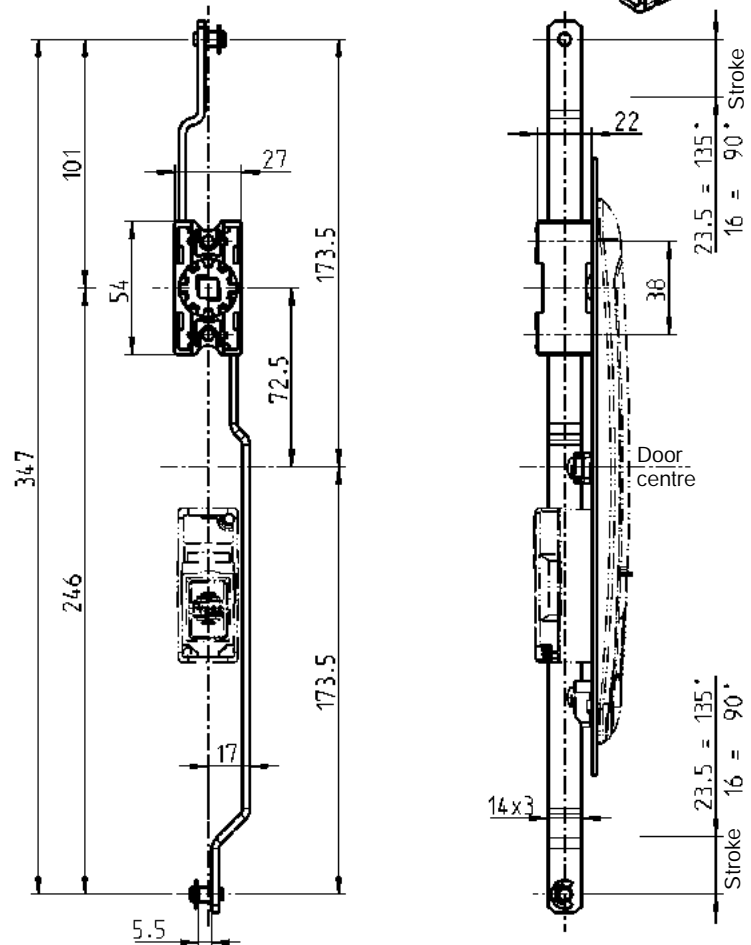
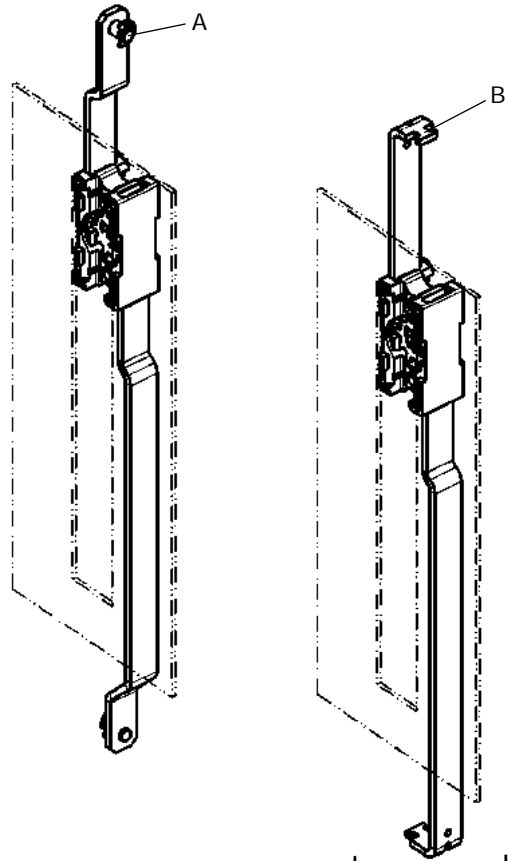
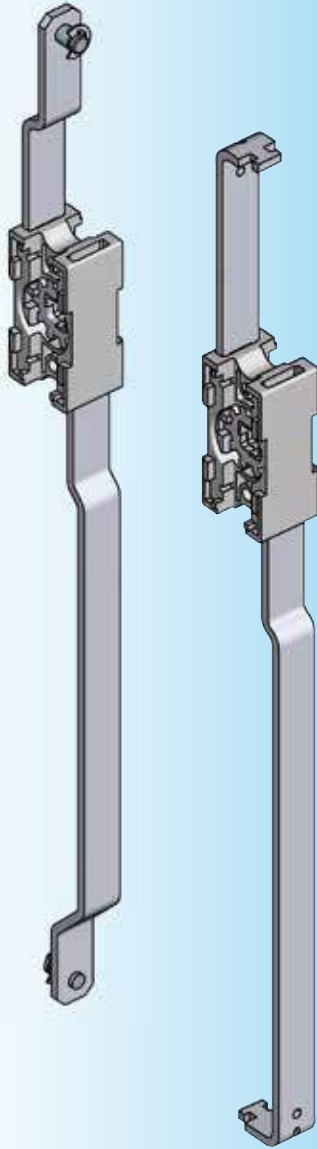
Rod control material on choice

Zinc die, Rods m.s. zinc plated

2121-U28-C

Polyamide black, rods aluminium

2121-U29-C



Further parts see page

– Rods

outside

3ZA-120

3ZA-320

inside

3ZB-120

3ZB-200

3ZB-220

– Cam

3YA-820

Program 1180

– Swinghandle 1185

3E-520

3E-540

Rod control zinc die, rods m.s. zinc plated

Version A

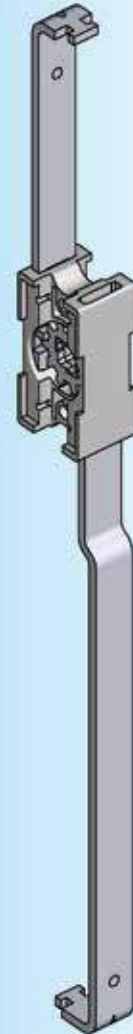
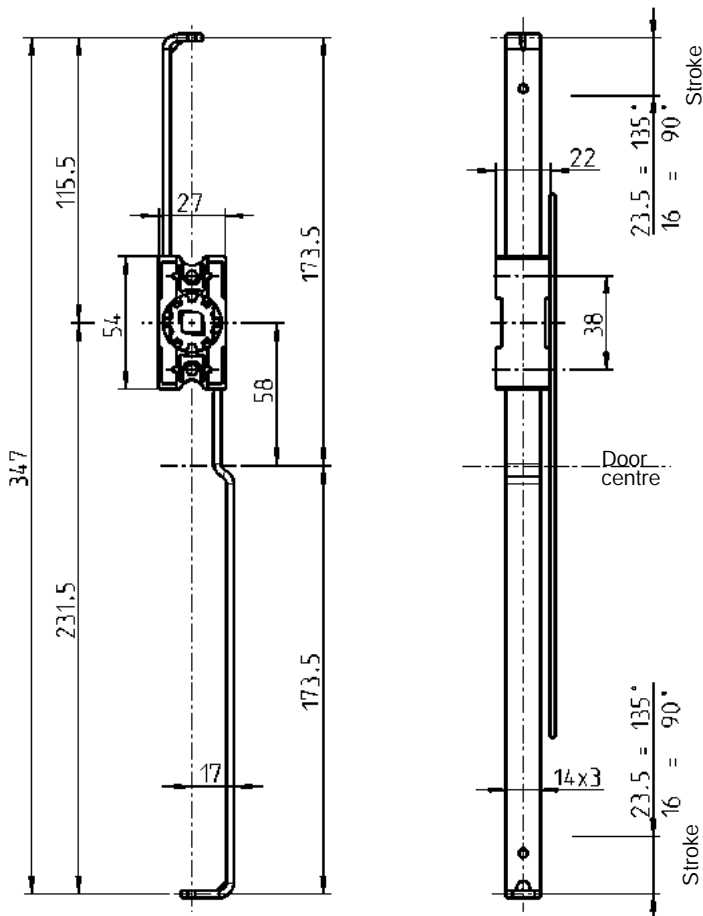
1121-U181-C

Version B

1121-U180-C

Rod control for flat rods

PROGRAM 2100



Further parts see page

– Rods

outside

inside

– Cam

Program 2100

– Escutcheon

– Swinghandle

3ZA-120
3ZA-320
3ZB-120
3ZB-200
3ZB-220
3YA-820

3H-120
3H-220
3H-320
up to 3H-420

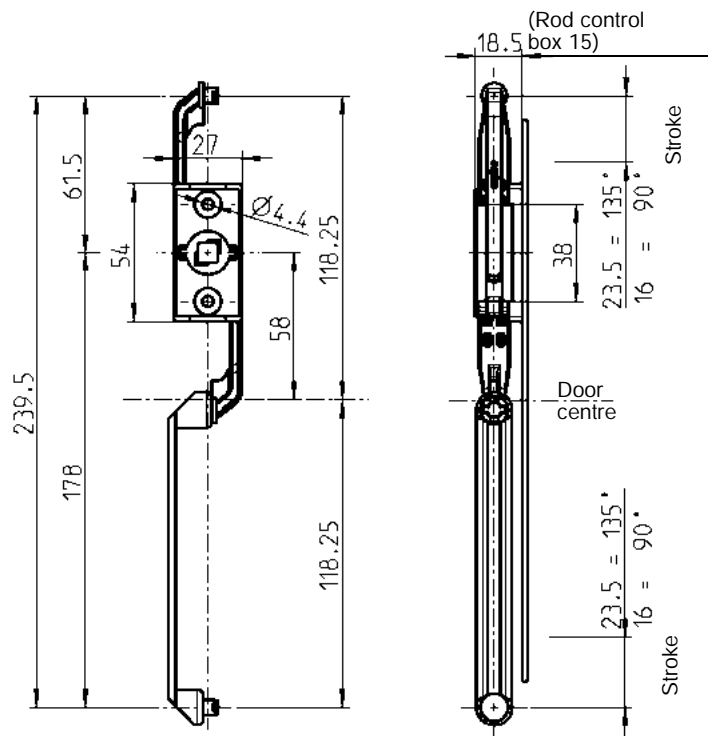
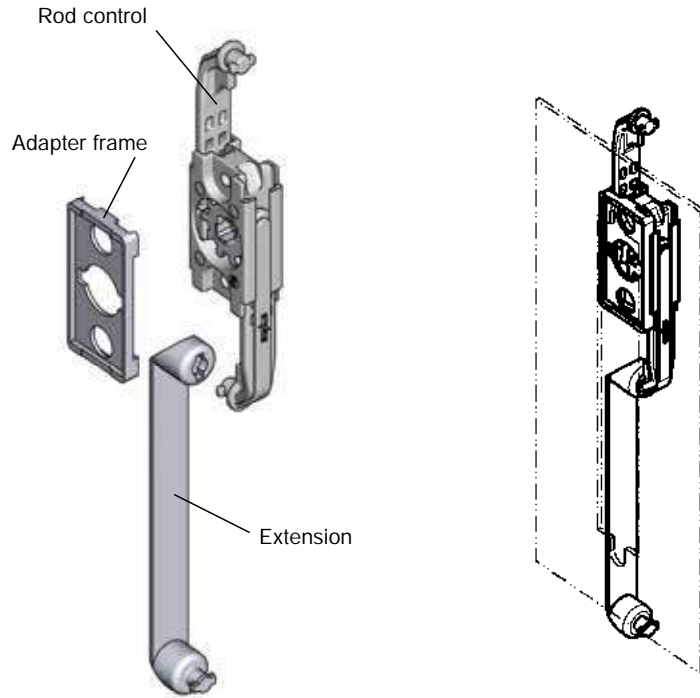
Rod control material on choice

Zinc die, rod m.s. zinc plated

2121-U26-C

Polyamide black, rods aluminium

2121-U27-C



Further parts see page

- Rods
 - inside 3ZB-120
 - 3ZB-200
 - 3ZB-220
 - 3YA-820
- Cam

Program 2100

- Escutcheon 3H-120
- 3H-220
- Swinghandle 3H-320
- up to 3H-420

Rod control zinc die

2200-U1-C

Adapter plate zinc die zinc plated

2200-05

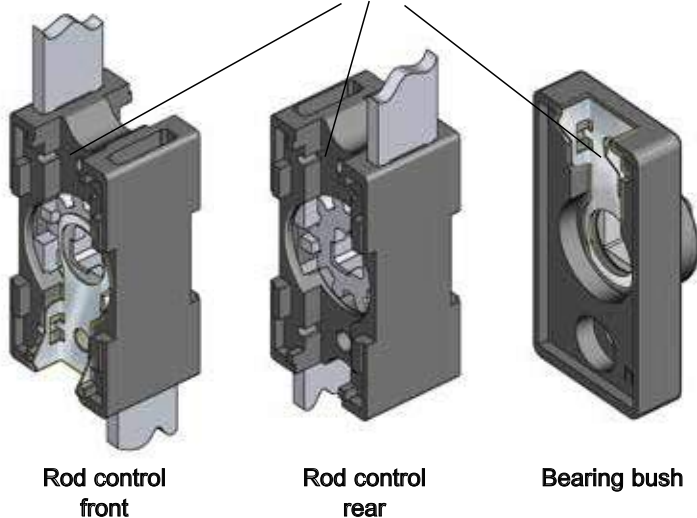
Extension zinc die zinc plated

2200-06

Earthing device for rod control and bearing bush

PROGRAM 1125, 1150, 1225, 1325, 3000

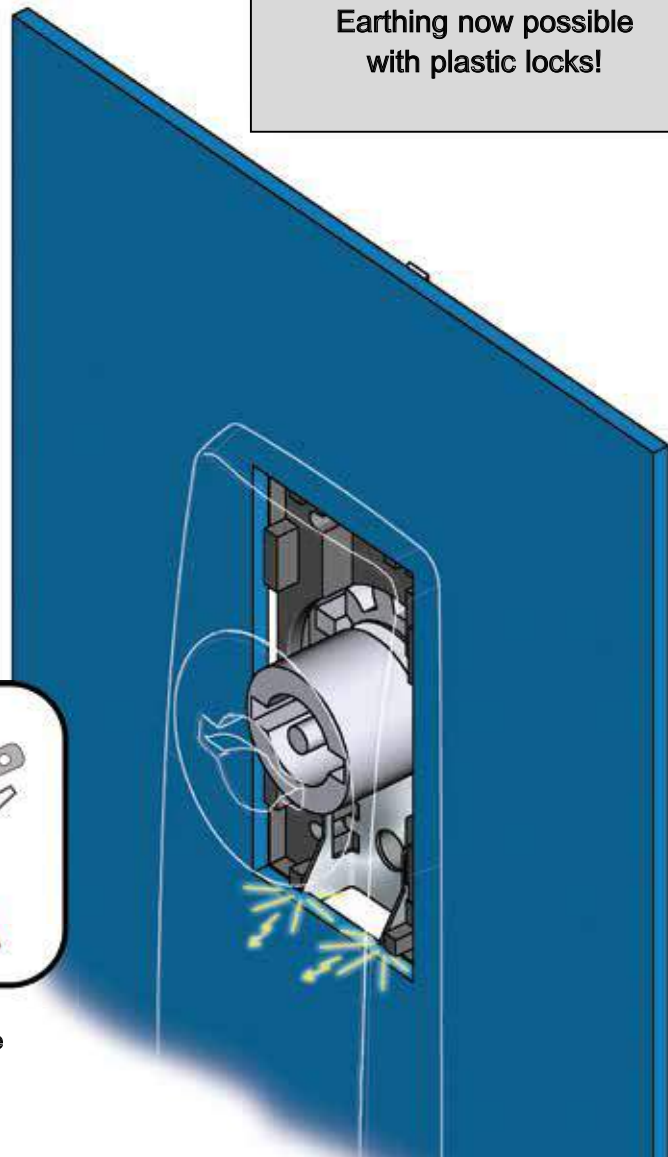
Application of earthing device



Earthing now possible with plastic locks!



Assembly with earthing device



The earthing device passed the test in accordance to DIN EN 60439-1/8.2.4.1!
The resistance is max. 0,032 Ohm.

Attention:

The earthing device can be used regardless of the material of the rod control!

The earthing device will not change the assembly!

The earthing device can be assembled to the rod control or bearing bush without a tool.

The mechanical figures are unchanged!

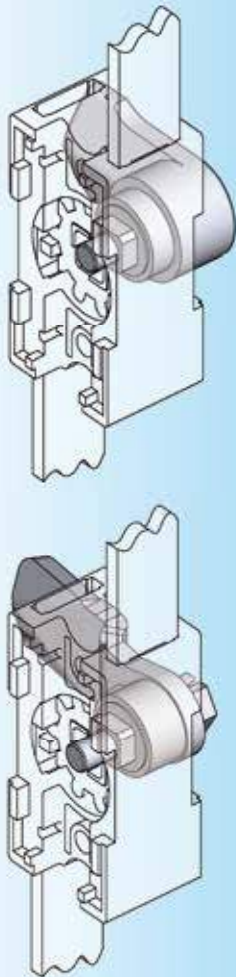
Earthing will be achieved upon assembly of the escutcheon or the swinghandle!

Further parts see page

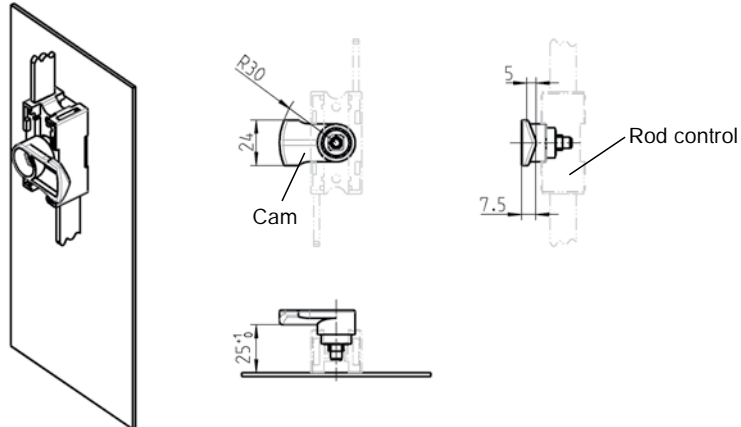
- Rod control 3YA-110 up to 3YA-240
- Bearing bush 3YB-120 (for Ts 1.0 to 2.0)

Earthing device stainless steel

1121-117



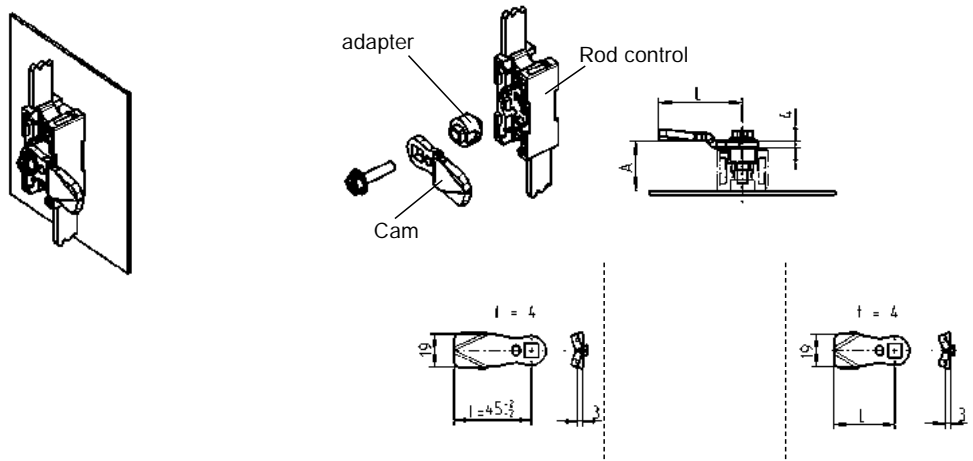
Zinc die cam



Cam zinc die zinc plated, with screw m.s. zinc plated

1121-U25

M.s. cam (only usable with adapter)



Cam m.s. zinc plated

A in mm		A	L	
23		23	35	1000-5046
25		25	35	1000-5161
27		27	35	1000-5119
29		33	35	1000-5164
30	Attention: These A dimensions only apply with a rod control			Cam with other A and L dimensions
31				
33				
35				
37				
39				
40				
41				
43				
45				
47				
49				
50				
52				
55				

Note:

The ramp increases the compression distance of the lock by 4 mm.

Program 1325:

Works only with escutcheon. Combination with swing handle see page 3YA-840.

Further parts see page

- Ramp 1C-170

- Rod control 3YA-110 up to 3YA-540

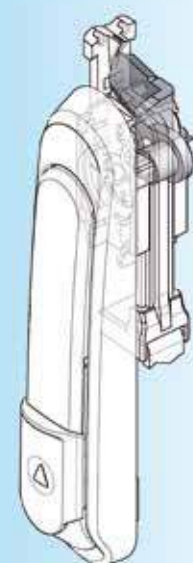
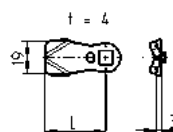
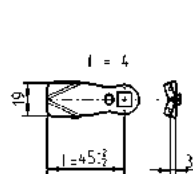
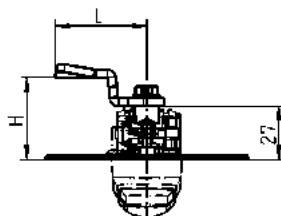
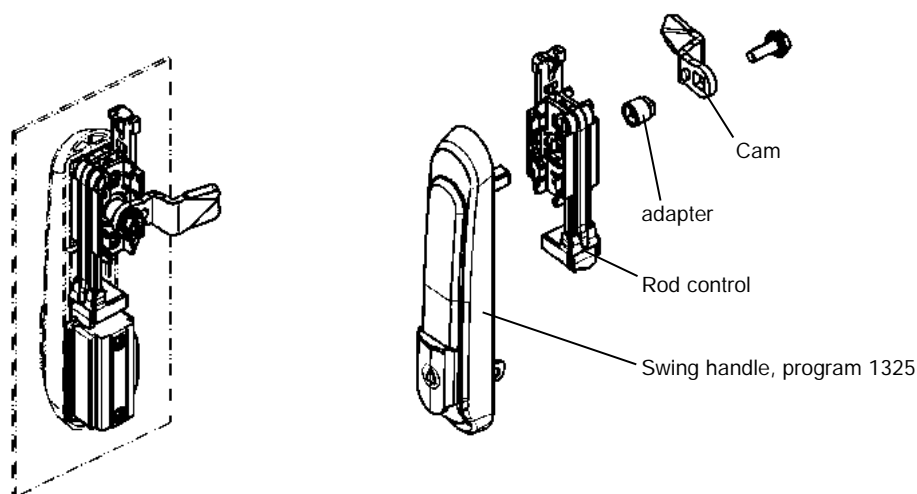
Adapter zinc die, screw m.s. zinc plated

1121-U40

Cam for rod control

PROGRAM 1325

Beschlagteile



Cam m.s. zinc plated

H		H	L	
27		27	35	1000-5046
29		29	35	1000-5161
31		31	35	1000-5119
33		37	35	1000-5164
34	Attention: These H dimensions only apply with a rod control	1000-27	Cam with other A and L dimensions	
35		1000-50		
37		1000-13		
39		1000-28		
41		1000-26		
43		1000-12		
44		1000-11		
45		1000-51		
47		1000-52		
49		1000-25		
51		1000-53		
53		1000-54		
54	1000-10			
56	1000-55			
59	1000-56			

Adapter AISI 316 L, screw m.s. zinc plated

1121-U188

Note:

The ramp increases the compression distance of the lock by 4 mm.

Program 1325:

Works only with swing handle. Combination with escutcheon see page 3YA-820.

Further parts see page

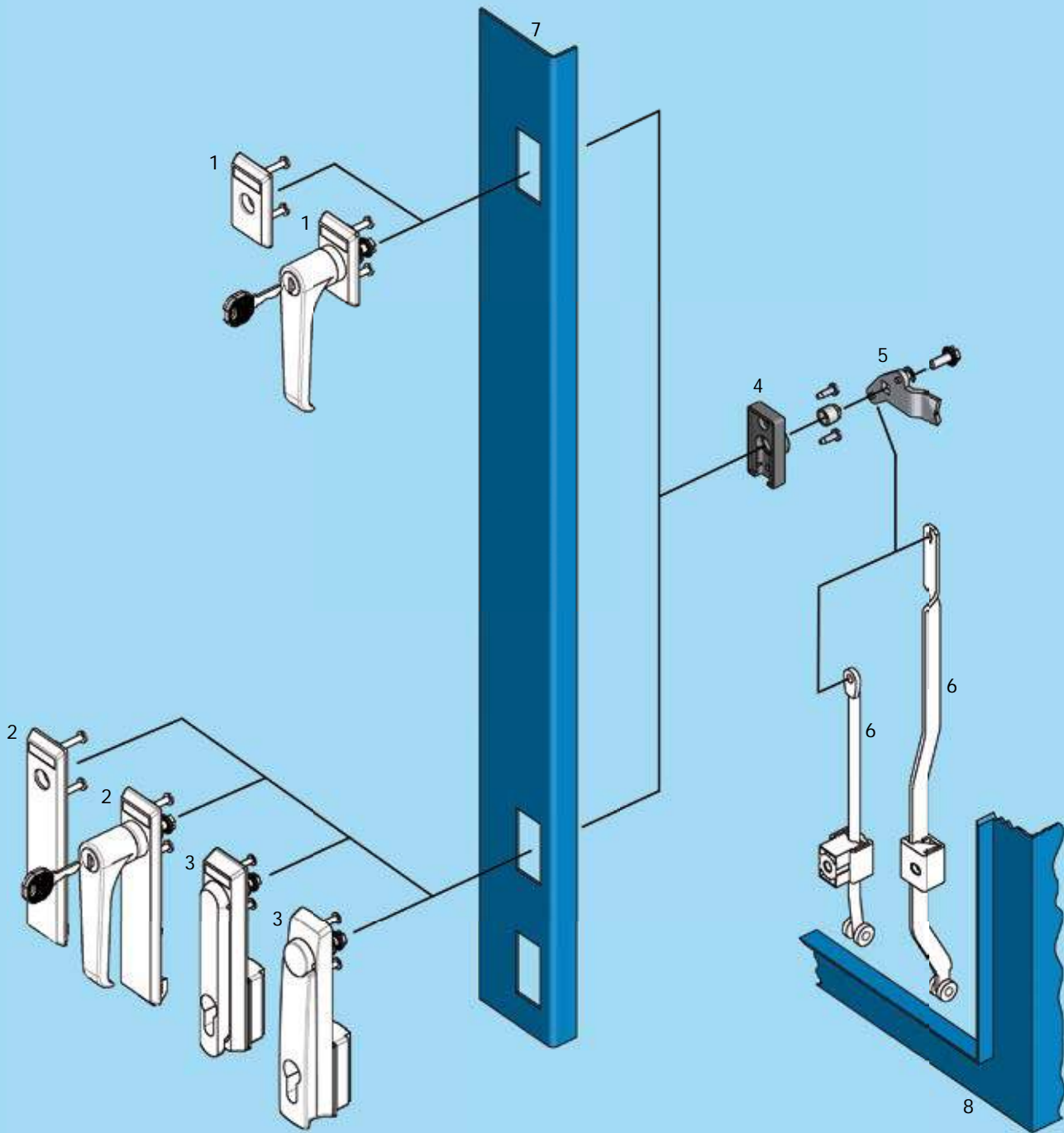
– Ramp	1C-170
– Rod control	3YA-110
	3YA-120
	3YA-140

Program 1325

– Swinghandle	3BA-220
---------------	---------

Bearing bush with cam

Program 1125, 1225, 1325, 2100, 3000

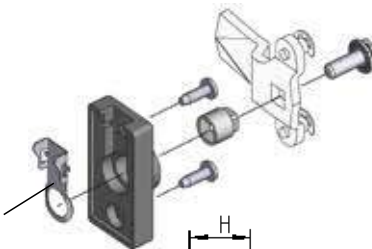


- 1 Escutcheon short
- 2 Escutcheon long
- 3 Swinghandle
- 4 Bearing bush
- 5 Cam
- 6 Rod (inside the gasketing)
- 7 Door
- 8 Cabinet/frame

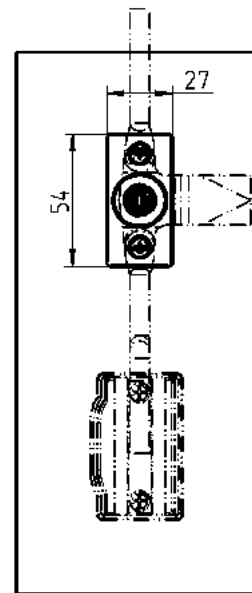
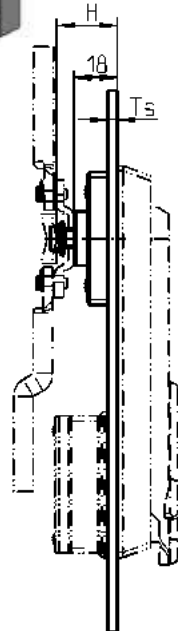
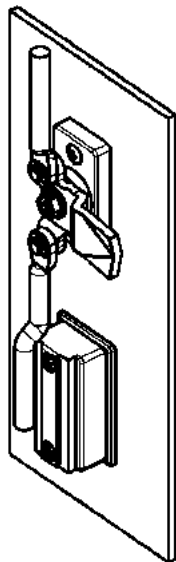
Program 1125, 1225
Program 1125, 1225, 1325, 2100
Program 1125, 1225, 2100, 3000
 3YB-120, 3YB-140
 3YB-420, 3YB-440, 3YB-460



3YB-100



Earthing device



Attention: Escutcheons and swinghandles assembled with rear cap can not be used with standard rods!
Special rods on request!

Note:
Earthing device can be used with bearing bushes for Ts = 1,0, 1,5 and 2,0! (not suited for Program 3000)

Adapter and fixing material for Program 3000 see catalogue page 3N-120

Further parts see page

- Cam for bearing bush without stopper 3YB-420
- Cam for bearing bush with stopper 3YB-440
- Rod control for cam 3YB-460
- Earthing device (not suited for Program 3000) 3YA-720

Program 1125

- Escutcheon 1121 3B-120
- Escutcheon 1123 3B-180
- Swinghandle 3B-220 3B-420

Program 1225

- Escutcheon 1221 3G-120
- Escutcheon 1223 3G-180
- Swinghandle 3G-220 3G-420 3G-520

Program 1325

- Escutcheon 1321 3BA-120

Program 3000

- Swinghandle 3N-120

Bearing bush Polyamide black

door gauge		without stop	Escutcheon LH swinghandle RH with stopper	Escutcheon RH Swinghandle LH with stopper
	1,0	1125-81-010	1125-83-010	1125-84-010
	1,5	1125-81-015	1125-83-015	1125-84-015
	2,0	1125-81-020	1125-83-020	1125-84-020
	2,5	1125-81-025	1125-83-025	1125-84-025
	3,0	1125-81-030	1125-83-030	1125-84-030
	4,0	1125-81-040	1125-83-040	1125-84-040
	5,0	1125-81-050	1125-83-050	1125-84-050
	6,0	1125-81-060	1125-83-060	1125-84-060
	8,0	1125-81-080	on request	on request
	10,0	1125-81-100	on request	on request
	11,0	1125-81-110	on request	on request
	12,0	1125-81-120	-	-

Bearing bush zinc die chrome plated

	2,0	1125-81-020QA	-	-
--	-----	---------------	---	---

Bearing bush AISI 316

	2,0	1125-81-020PH	-	-
--	-----	---------------	---	---

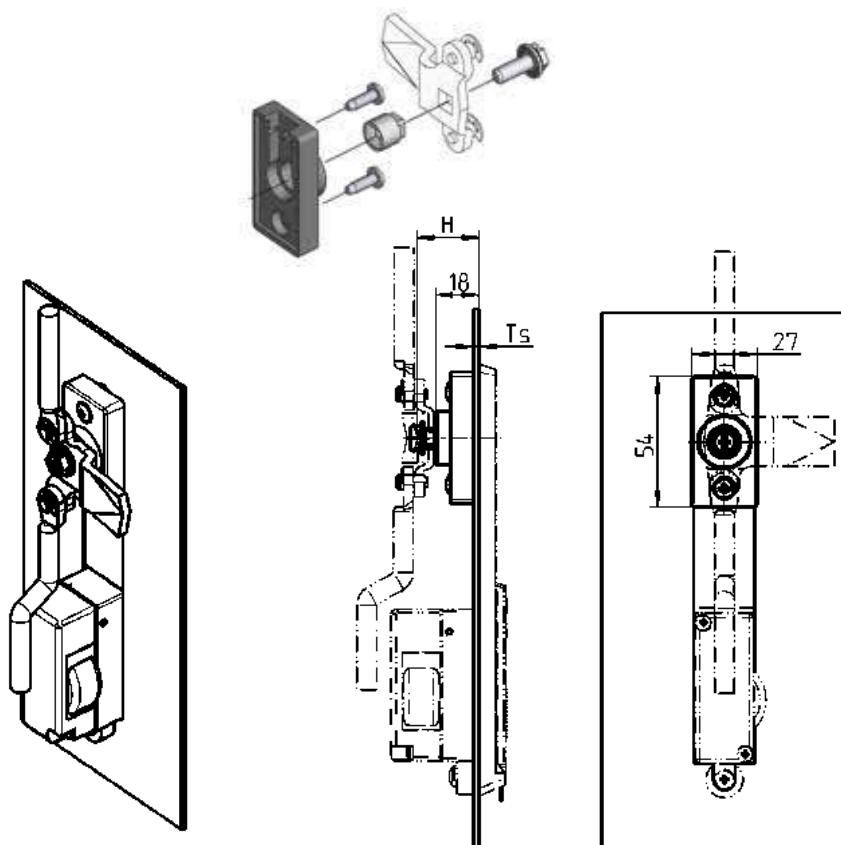
**Order extra: (not suitable for program 3000, see note)
adapter AISI 316L, fixing material m.s. zinc plated or stainless steel**

Program 1125, 1225, 1325		Ts 1,0 – 3,0	Ts 4,0 – 6,0	Ts 8,0 – 12,0
m.s.	Swinghandle	1125-U284	1125-U284	1125-U285
m.s.	Escutcheon	1125-U286	1125-U287	1125-U288
AISI	Swinghandle	1125-U284-PH	-	-
AISI	Escutcheon	1125-U286-PH	-	-

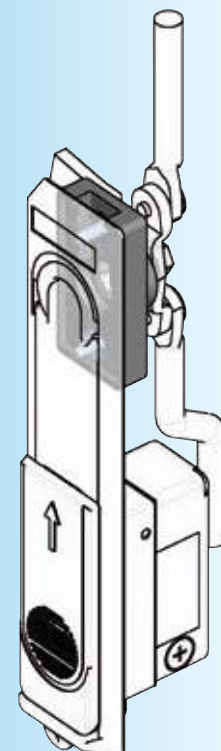
Bearing bush Ts 1,0 – 12,0 mm

PROGRAM 2100

Beschlagteile



Attention: Swinghandles can not be used with standard rods!
Special rods on request!



Bearing bush Polyamide black

door gauge	without stop	Escutcheon LH swinghandle RH with stopper	Escutcheon RH Swinghandle LH with stopper
1,0	1125-81-010	1125-83-010	1125-84-010
1,5	1125-81-015	1125-83-015	1125-84-015
2,0	1125-81-020	1125-83-020	1125-84-020
2,5	1125-81-025	1125-83-025	1125-84-025
3,0	1125-81-030	1125-83-030	1125-84-030
4,0	1125-81-040	1125-83-040	1125-84-040
5,0	1125-81-050	1125-83-050	1125-84-050
6,0	1125-81-060	1125-83-060	1125-84-060
8,0	1125-81-080	on request	on request
10,0	1125-81-100	on request	on request
11,0	1125-81-110	on request	on request
12,0	1125-81-120	-	-

Order extra:
adapter AISI 316L, fixing material m.s. zinc plated

for Ts 1,0 - 12,0

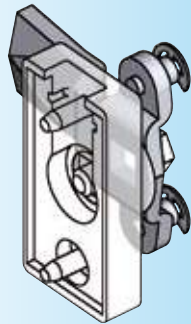
1125-U286

Further parts see page

- Cam for bearing bush without stopper 3YB-420
- Cam for bearing bush with stopper 3YB-440
- Rod control for cam 3YB-460

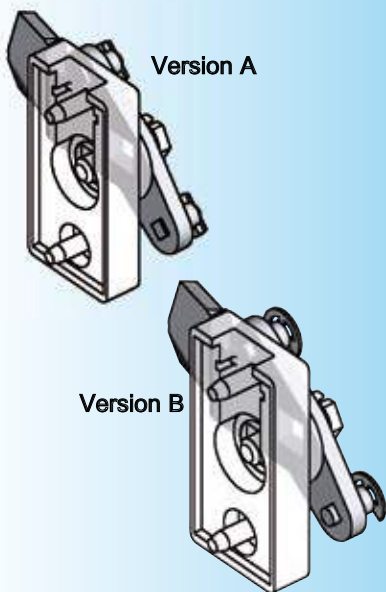
Program 2100

- Escutcheon 2150 3H-120
- Escutcheon 2153 3H-220
- Swinghandle 3H-320
- up to 3H-420



Further parts see page

- Ramp 1C-170
- Rod
- inside 3ZB-120
- Bearing bush 3YB-120
3YB-140



Note:
The ramp increases the compression distance of the lock by 4 mm.

- Further parts see page**
- Ramp 1C-170

Program 1125, 1225, 1325, 3000

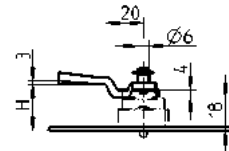
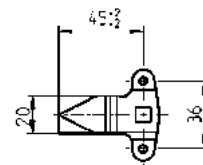
- Rod
- inside 3ZB-420
- Bearing bush 3YB-120

Program 2100

- Rod
- inside 3ZB-820
- Bearing bush 3YB-140

Cam with rivet pins
Stroke 18 mm

Note:
The ramp increases the compression distance of the lock by 4 mm.



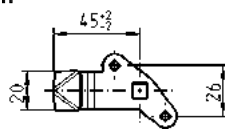
Cam m.s. zinc plated

H		H		H	
18	1107-U119	30	1107-U124	42	1107-U131
20	1107-U120	32	1107-U125	44	1107-U132
22	1107-U5	34	1107-U126	45	1107-U133
24	1107-U121	35	1107-U127	47	1107-U134
25	1107-U122	36	1107-U128	50	1107-U135
26	1107-U123	38	1107-U129		
28	1107-U6	40	1107-U130		

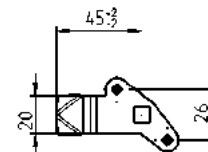
2-point rod control m.s. zinc plated

1107-U88

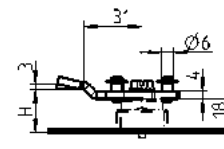
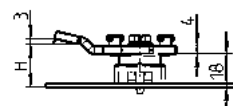
cam with rivet pins
Stroke 26 mm



Version A: Cam with T rivets



Version B: Cam with round rivets



Version A: Cam m.s. zinc plated

H	RH	LH	H	RH	LH
23	1000-U544-23	1000-U545-23	31	1000-U544-31	1000-U545-31
25	1000-U544-25	1000-U545-25	35	1000-U544-35	1000-U545-35
27	1000-U544-27	1000-U545-27	38	1000-U544-38	1000-U545-38
29	1000-U544-29	1000-U545-29			

2-point rod control m.s. zinc plated

1000-U632

Version B: Cam m.s. zinc plated

H	RH	LH	H	RH	LH
23	1000-U661-23	1000-U662-23	31	1000-U661-31	1000-U662-31
25	1000-U661-25	1000-U662-25	35	1000-U661-35	1000-U662-35
27	1000-U661-27	1000-U662-27	38	1000-U661-38	1000-U662-38
29	1000-U661-29	1000-U662-29	40	1000-U661-40	1000-U662-40

2-point rod control m.s. zinc plated

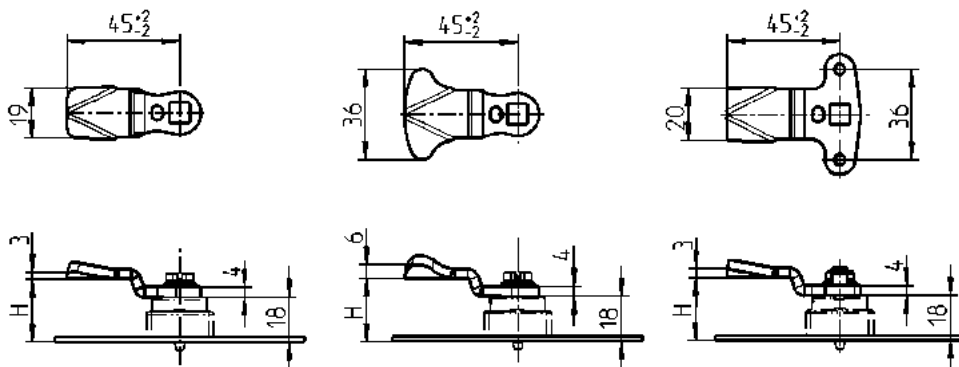
1000-U663

Cams for bearing bush with stopper

PROGRAM 1125, 1225, 1325, 2100, 3000

Cam with rivet pins

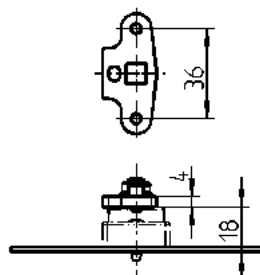
Stroke 18 mm



Cam m.s. zinc pl.		Cam m.s. zinc pl.		Cam m.s. zinc pl.	
H		H		H	
18	1000-17	18	1000-293	18	1000-U26
20	1000-16	20	1000-294	20	1000-U27
22	1000-15	22	1000-295	22	1000-U28
24	1000-14	24	1000-296	24	1000-U29
25	1000-27	25	1000-297	25	1000-U30
26	1000-50	26	1000-298	26	1000-U31
28	1000-13	28	1000-299	28	1000-U32
30	1000-28	30	1000-300	30	1000-U33
32	1000-26	32	1000-301	32	1000-U34
34	1000-12	34	1000-302	34	1000-U35
35	1000-11	35	1000-303	35	1000-U36
36	1000-51	36	1000-304	36	1000-U37
38	1000-52	38	1000-305	38	1000-U38
40	1000-25	40	1000-306	40	1000-U39
42	1000-53	42	1000-307	42	1000-U40
44	1000-54	44	1000-308	44	1000-U41
45	1000-10	45	1000-309	45	1000-U42
47	1000-55	47	1000-310	47	1000-U43
50	1000-56	50	1000-311	50	1000-U44

Cam with rivet pins

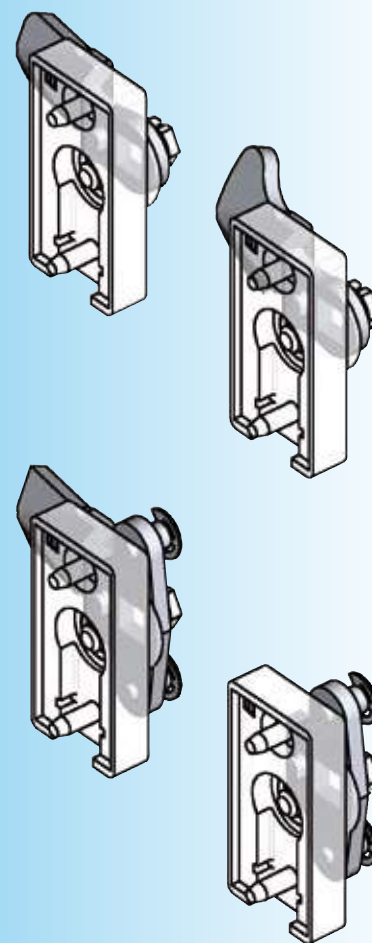
Stroke 18 mm



2-point rod control m.s. zinc plated

1000-U167

Beschlagteile



Note:
The ramp increases the compression distance of the lock by 4 mm.

Further parts see page

- Ramp 1C-170
- Rod
- inside 3ZB-120
- Bearing bush 3YB-120
3YB-140

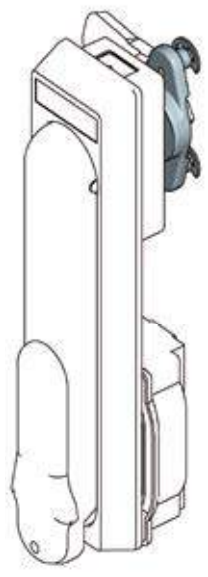
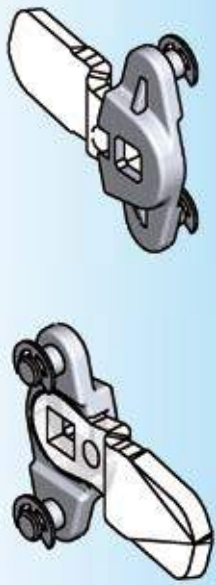


Info

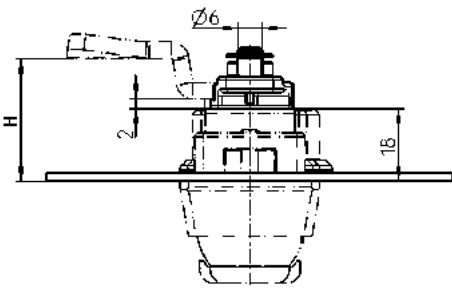
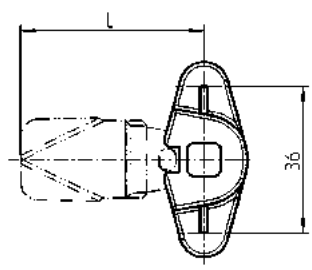
1 Quarter turns

2 Rod controls

3 Locking systems




Stroke 18 mm



Attention:
By using the rod control the H-dimension of the cam increases by 2 mm

Note:
The ramp increases the compression distance of the lock by 4 mm.

- Further parts see page**
- Cam (GH=18) 1C-120
 - Ramp 1C-170

 - Rod
 -  inside 3ZB-120
 - Bearing bush 3YB-120
 - 3YB-140

Rod control zinc die, zinc plated, circlip m.s. zinc plated

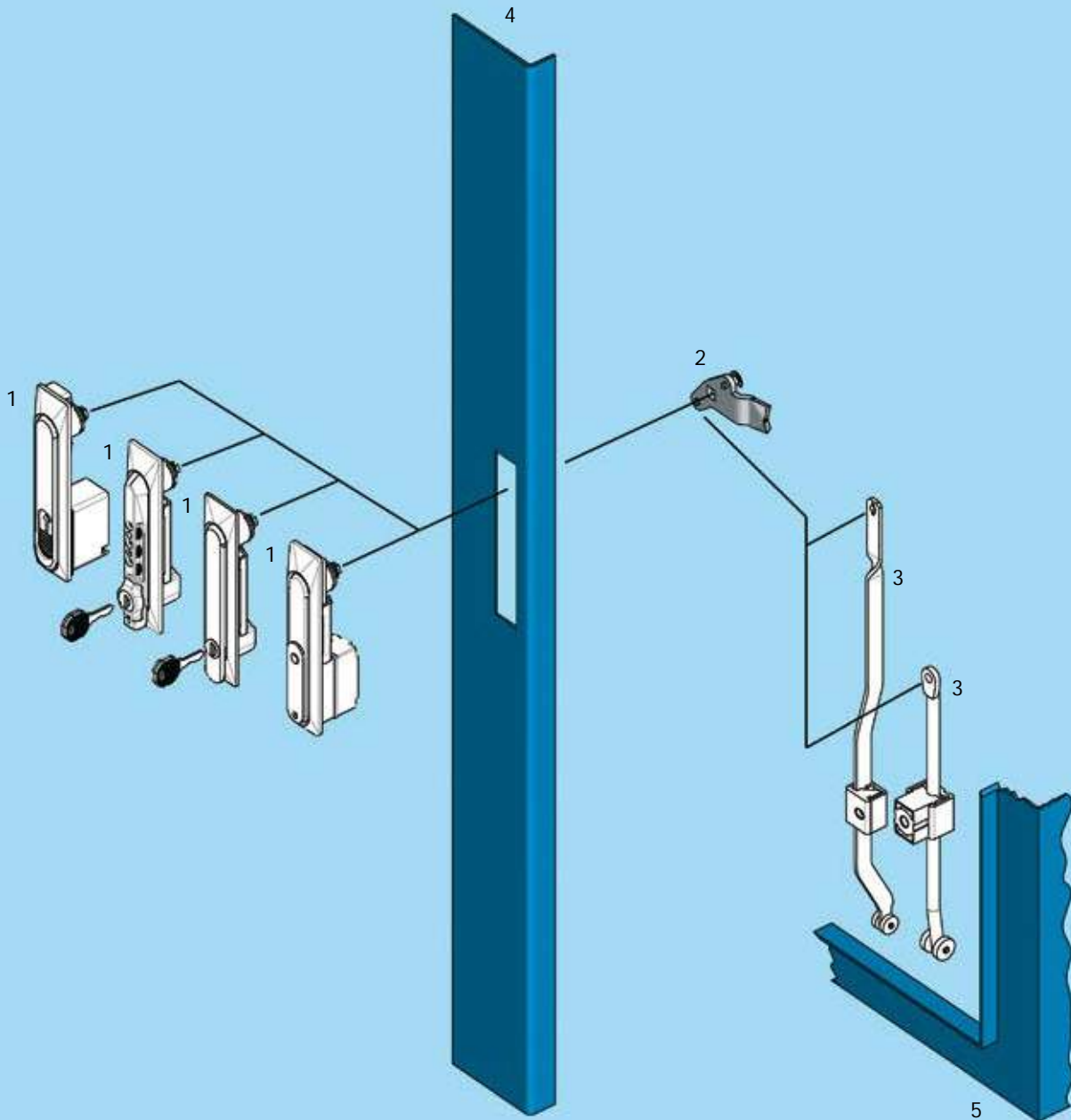
1107-U246

Rod control AISI 316

1107-U246-PH

Cam

Program 1091, 1107, 1125



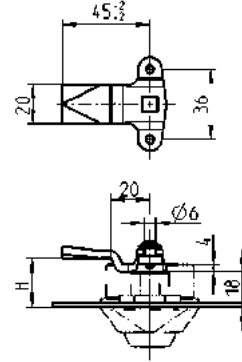
- 1 Swinghandle
- 2 Cam
- 3 Rod (inside the gasketing)
- 4 Door
- 5 Cabinet/frame

Program 1107, 1125, 1150, 1180, 1225, 1317, 1325
3YC-120, 3YC-140, 3YC-180

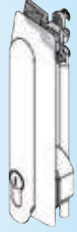




Cam with rivet pins
Stroke 18 mm



Attention:
Not suitable for program 1150!



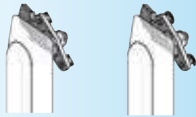
Further parts see page
– Ramp 1C-170

Program 1107, 1317

- Rod inside from 3ZB-120
- Swing handle 1107 3A-120 to 3A-420
- Swing handle 1317 3AB-120 to 3AB-160

Program 1125

- Rod on request
- Swinghandle (Version B) 3B-320



Further parts see page
– Ramp 1C-170

Program 1107, 1317

- Rod inside 3ZB-320
- Swing handle 1107 3A-120 up to 3A-420
- Swing handle 1317 3AB-120 up to 3AB-160

Program 1125

- Rod inside 3ZB-440
- Swinghandle (Version B) 3B-320

Program 1150

- Rod inside for swinghandle (3C-140, 3C-620 to 3C-750) 3ZB-520
- inside for swinghandle (3C-160, 3C-220, 3C-260 to 3C-320) 3ZB-540
- Swinghandle 3C-140 up to 3C-320
- 3C-620 up to 3C-750

Program 1180

- Rod inside 3ZB-620
- Swinghandle 1185 3E-520 to 3E-540

Program 1325

- Rod inside 3ZB-420
- Swinghandle 3BA-220

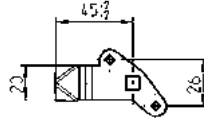
Cam m.s. zinc plated

H		H		H		H	
4	1107-U112	18	1107-U119	30	1107-U124	42	1107-U131
6	1107-U113	20	1107-U120	32	1107-U125	44	1107-U132
8	1107-U114	22	1107-U5	34	1107-U126	45	1107-U133
10	1107-U115	24	1107-U121	35	1107-U127	47	1107-U134
13	1107-U116	25	1107-U122	36	1107-U128	50	1107-U135
14	1107-U117	26	1107-U123	38	1107-U129		
16	1107-U118	28	1107-U6	40	1107-U130		

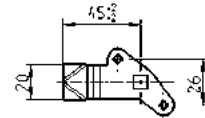
2-point rod control, m.s. zinc pl.

1107-U88

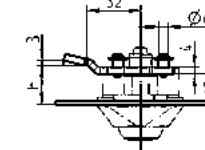
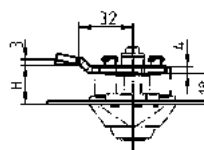
Cam with rivet pins
Stroke 26 mm



Version A: Cam with T rivets



Version B: Cam with round rivets



Version A: Cam m.s. zinc plated

H	RH	LH	H	RH	LH
23	1000-U544-23	1000-U545-23	31	1000-U544-31	1000-U545-31
25	1000-U544-25	1000-U545-25	35	1000-U544-35	1000-U545-35
27	1000-U544-27	1000-U545-27	38	1000-U544-38	1000-U545-38
29	1000-U544-29	1000-U545-29			

2-point rod control, m.s. zinc pl.

1000-U632

Version B: Cam m.s. zinc plated

H	RH	LH	H	RH	LH
23	1000-U661-23	1000-U662-23	31	1000-U661-31	1000-U662-31
25	1000-U661-25	1000-U662-25	35	1000-U661-35	1000-U662-35
27	1000-U661-27	1000-U662-27	38	1000-U661-38	1000-U662-38
29	1000-U661-29	1000-U662-29	40	1000-U661-40	1000-U662-40

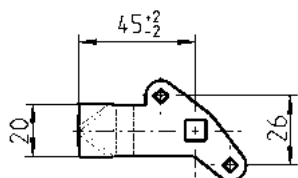
Rod control m.s. zinc plated

1000-U663

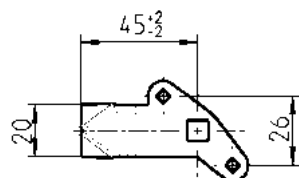
Cam

PROGRAM 1125, 1150, 1180, 1225

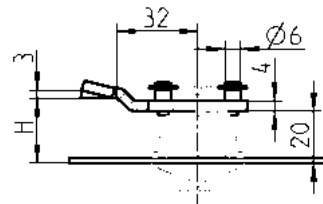
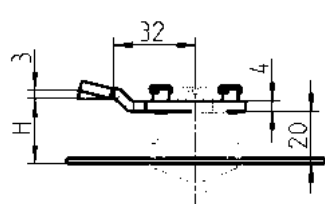
Cam with rivet pins
Stroke 26 mm
Program 1150, 1180



Version A: Cam with T rivets



Version B: Cam with round rivets



Version A: Cam m.s. zinc plated

H	RH	LH	H	RH	LH
25	1000-U544-23	1000-U545-23	33	1000-U544-31	1000-U545-31
27	1000-U544-25	1000-U545-25	37	1000-U544-35	1000-U545-35
29	1000-U544-27	1000-U545-27	40	1000-U544-38	1000-U545-38
31	1000-U544-29	1000-U545-29			

2-point rod control, m.s. zinc pl.

1000-U632

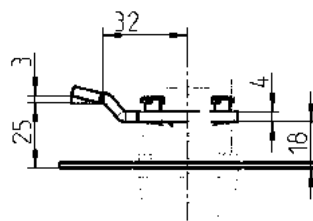
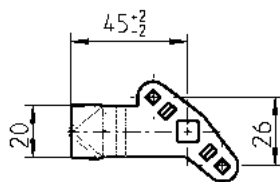
Version B: Cam m.s. zinc plated

H	RH	LH	H	RH	LH
25	1000-U661-23	1000-U662-23	33	1000-U661-31	1000-U662-31
27	1000-U661-25	1000-U662-25	37	1000-U661-35	1000-U662-35
29	1000-U661-27	1000-U662-27	40	1000-U661-38	1000-U662-38
31	1000-U661-29	1000-U662-29	42	1000-U661-40	1000-U662-40

Rod control m.s. zinc plated

1000-U663

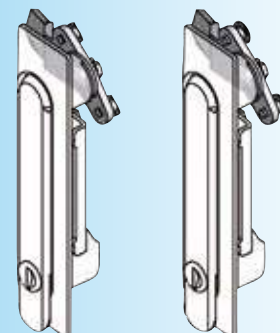
Cam with rivet pins
Stroke 26 mm
Program 1125, 1225



Version B: Cam m.s. zinc plated

H	RH	LH
25	1107-U242-25	1107-U243-25

Beschlagteile



Further parts see page

– Ramp 1C-170

Program 1150

– Rod

inside for swinghandle 1150 (3C-120) 3ZB-520

inside for swinghandle 1151 (3C-420) 3ZB-540

– Swinghandle 1150 3C-120

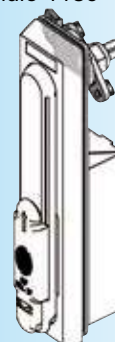
– Swinghandle 1151 3C-420

Program 1180

– Rod

inside 3ZB-620

– Swinghandle 1180 3E-320



Further parts see page

– Ramp 1C-170

Program 1125

– Rod

inside 3ZB-440

– Swinghandle (Version C) 3B-320

Program 1225

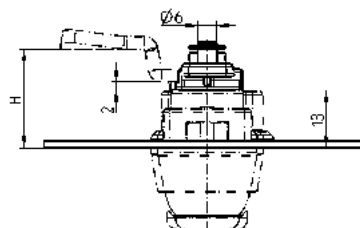
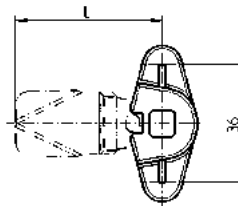
– Rod

inside 3ZB-720

– Swinghandle 3G-320



Stroke 18 mm

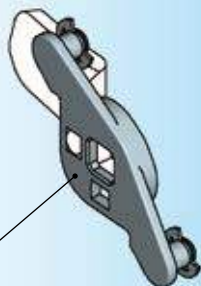


Note:

Connecting rod for rod control combined with swinghandle 1125 double cylinder version B and swinghandle 1154 with RC 2 on request only!

Attention:

By using the rod control the H-dimension of the cam increases by 2 mm



Attention:

Use only rod with eye!

Further parts see page

- Cam (GH=18) 1C-120
- Ramp 1C-170
- Connecting rod

 inside (see note) 3ZB-120

Program 1091

- Heavy duty latch 10A-640

Program 1107, 1317

- Swinghandle 1107 3A-120 up to 3A-220
- Swinghandle 1317 3AB-120 up to 3AB-160

Program 1125, 1325

- Swing handle 1125 (version B) 3B-320
- Swinghandle 1325 3BA-220

Program 1150

- Swinghandle 1154 3C-220
- Swinghandle 1154 with RC2 3C-260

Rod control zinc die, zinc plated, circlip m.s. zinc plated

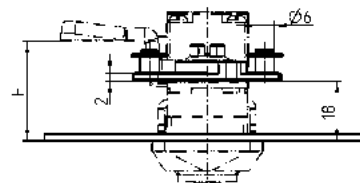
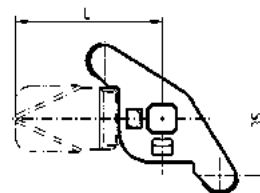
1107-U246

Rod control AISI 316

1107-U246-PH



Stroke 35 mm



Note:

Connecting rod for rod control combined with swinghandle 1125 double cylinder version B and swinghandle 1154 with RC 2 on request only!

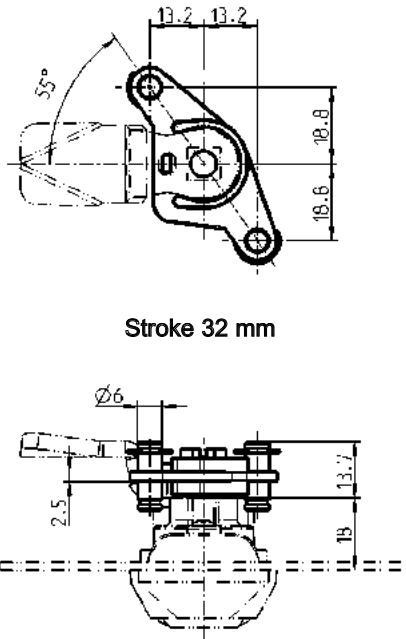
Rod control AISI 316

1150-U57

Rod control for cam

PROGRAM 1325, 1150

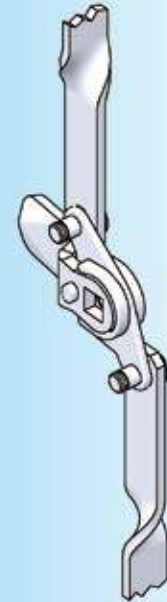
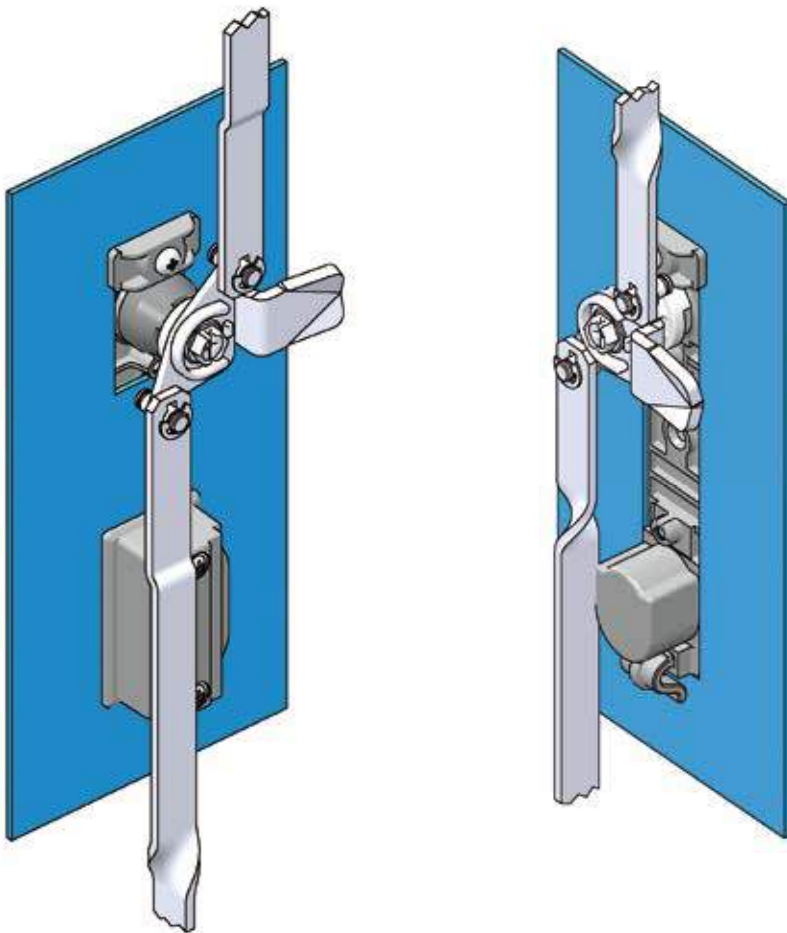
Only cams with stopper of steel and stainless steel can be used



Stroke 32 mm

Swinghandle 1325 with adapter for cam

Swinghandle 1150 with universal escutcheon



Attention:

Only cams with stopper of steel and stainless steel can be used.

Note:

When using the rod control for cam, the engagement depth of the screw is reduced by 2.5 mm


Further parts see page

- Cam (GH=18) 1C-120
- Ramp 1C-170
- Connecting rod for 1150

 inside 3ZB-520

Attention: The rod length is reduced by 5.8 mm, as the stroke is 32 mm

- Connecting rod for 1325

 inside 3ZB-420

Attention: The rod length is reduced by 5.8 mm, as the stroke is 32 mm

Program 1150 with universal escutcheon

- Swinghandle 1150 3C-720
- up to 3A-780

Program 1325 with adapter for cam

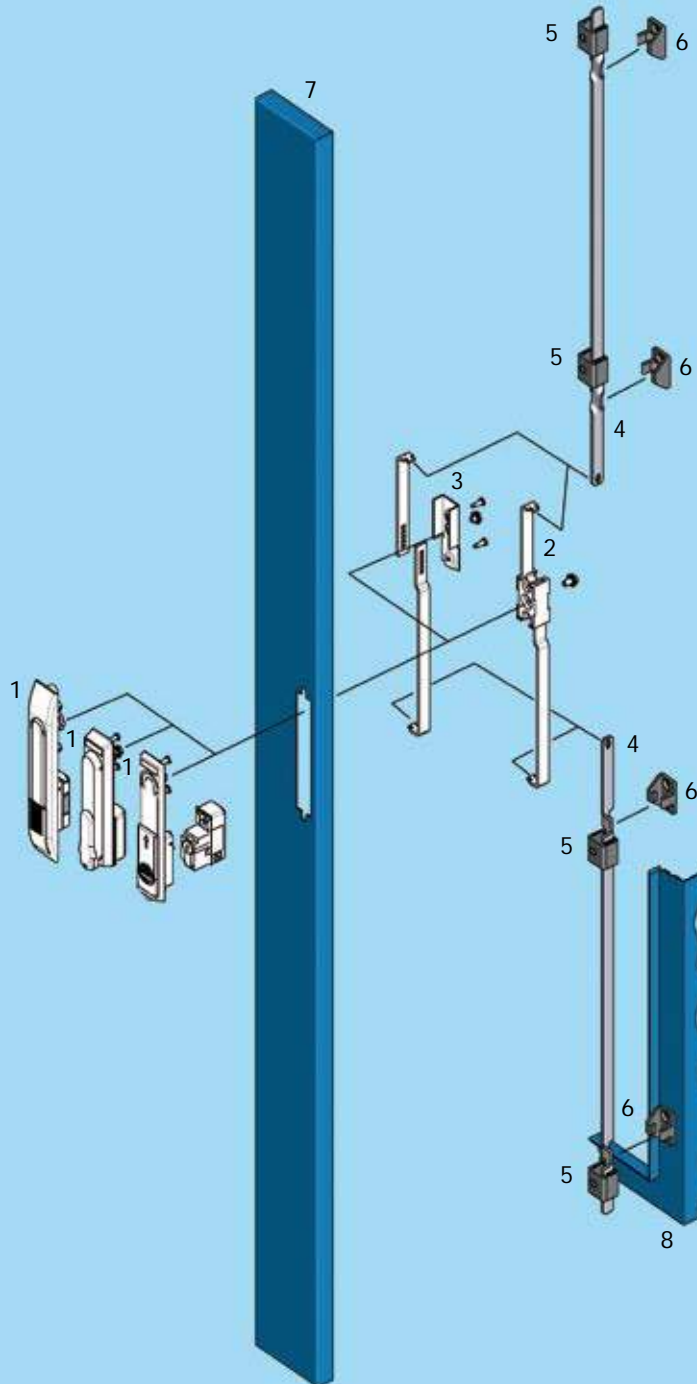
- Swing handle 1325 3BA-220

Rod control zinc die zinc plated; circlip m.s. zinc plated; with additional vibration proof screw m.s. zinc plated

for swinghandle 1150 with universal dish	1150-U63-01
for swinghandle 1325 with adapter for cam	1150-U63-02

Rod and lock rod outside the gasketing

Program 1125, 1150, 1160, 1180, 1190, 1225, 1325, 1390, 2100, 2400, 3000



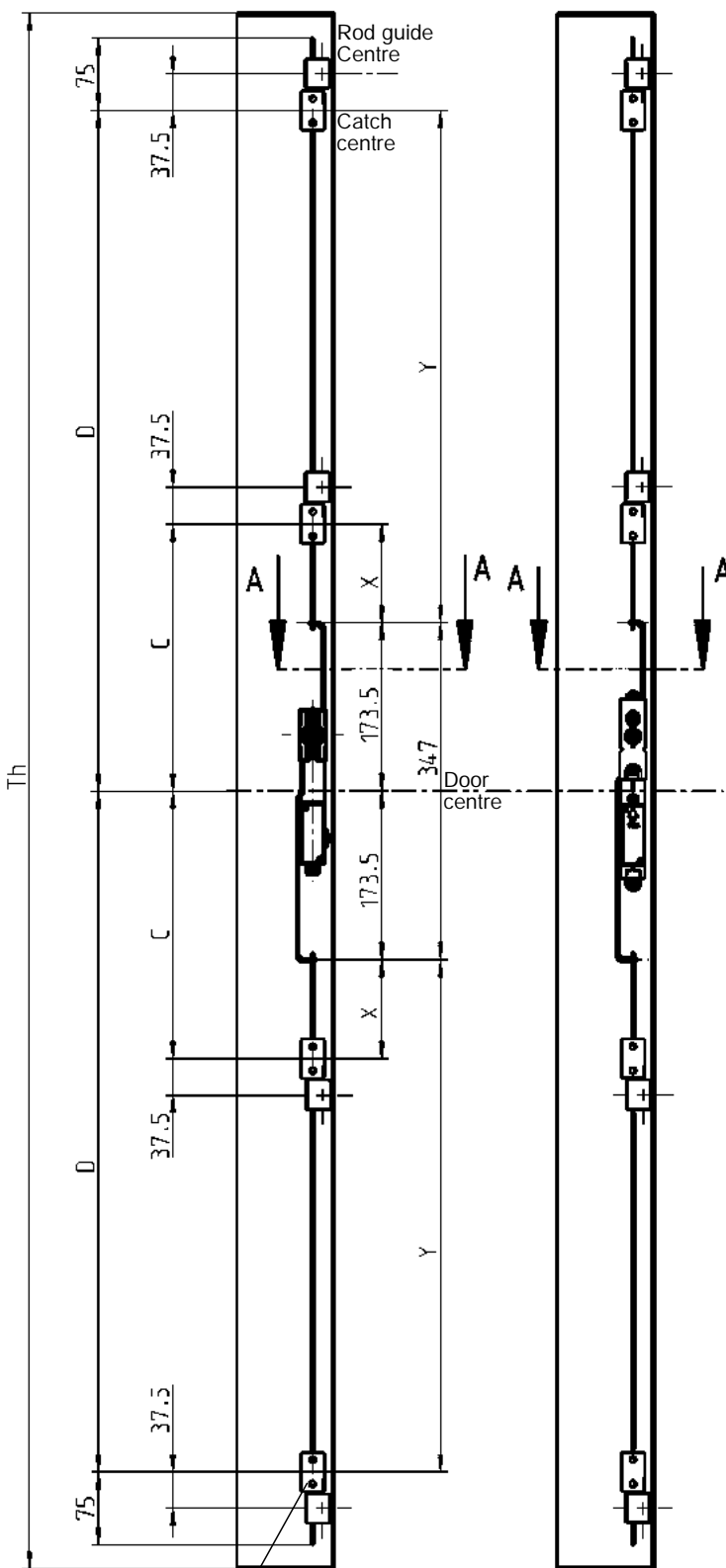
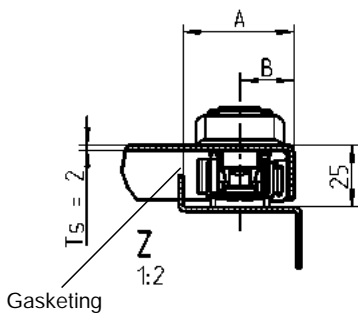
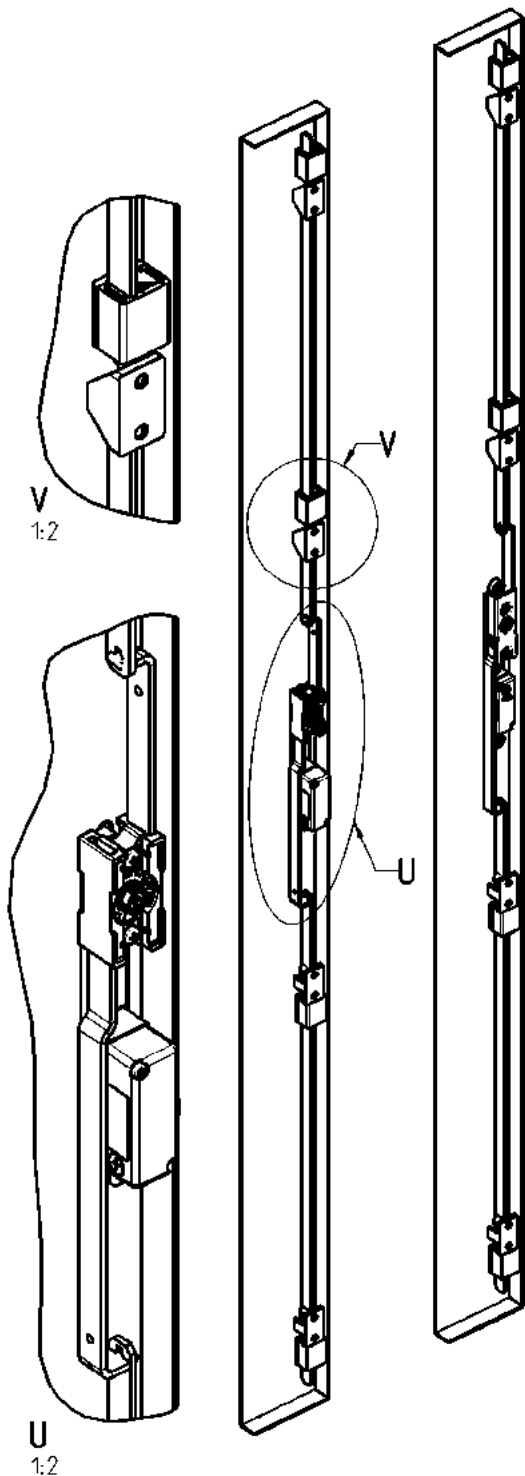
- 1 Swinghandle and escutcheon program 1125, 1150, 1160, 1180, 1190, 1225, 1325, 1390, 2100, 2400, 3000
- 2 Rod control
- 3 Rod control
- 4 Rod for rod control / rod gear (outside the gasketing)
- 5 Rod guide
- 6 Catches
- 7 Door
- 8 Housing/frame



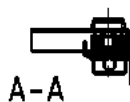
3ZA-100

Rods

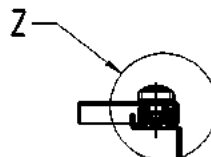
PROGRAM 1125, 1150, 1160, 1180, 1190, 1225, 1325, 2100, 3000



Different catch types



Door internal representation

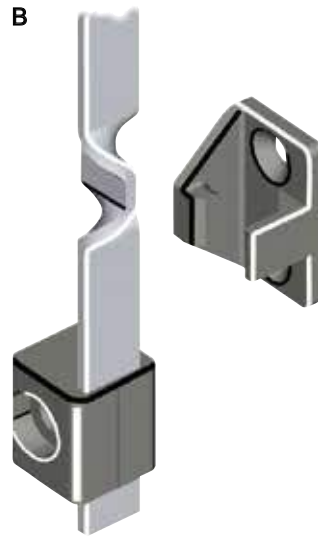


A-A

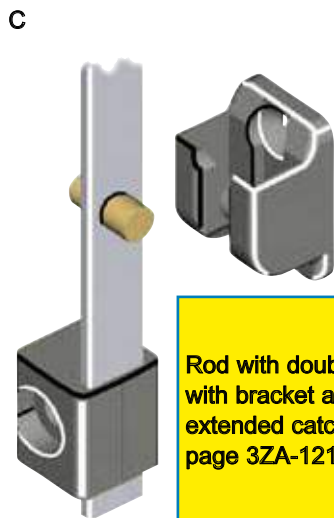
4 different locking systems



A
Rod with locking slider
see catalogue page 3ZA-220



B
Twisted rod
see catalogue page 3ZA-220



C
Rod with double rollers
see catalogue page 3ZA-260

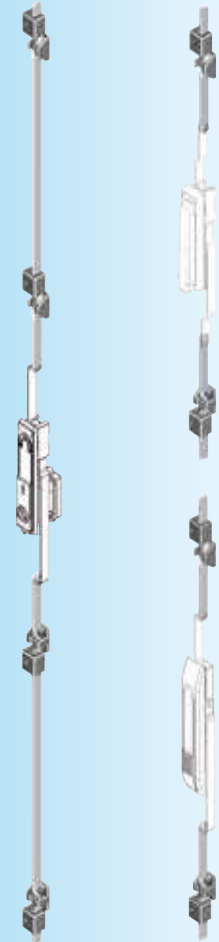
Rod with double roll for catch with bracket and extended catch area see page 3ZA-1210



D
Rod with cut-out
see catalogue page 3ZA-260

Attention:
Suitable for use with the 90° turn - see catalogue page 3ZA-1120

PROGRAM	Dimension A	Dimension B
1125	45	23
1150	45	22
1160	45	22
1180	45	22
1190	42	20
1225	45	23
1325	45	23
2100	45	22



Further parts see page

– Rods with turn 3ZA-1120

Program 1160

– Swinghandle and escutcheon 3D-120
3D-140

Program 1180

– Swinghandle and escutcheon 3E-120
3E-140
– Rod control 3YA-480

Program 1190

– Swinghandle 3F-120
– Escutcheon 3F-220

Program 1125, 1150, 1225, 1325, 3000

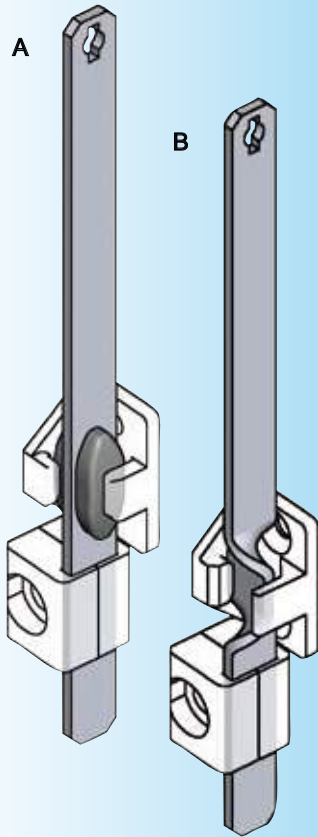
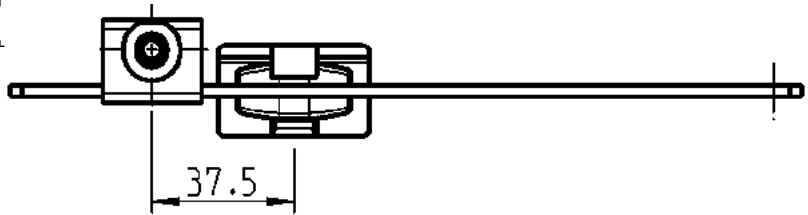
– Rod control 3YA-110
3YA-120

Program 1150

– Rod control 3YA-420
3YA-440

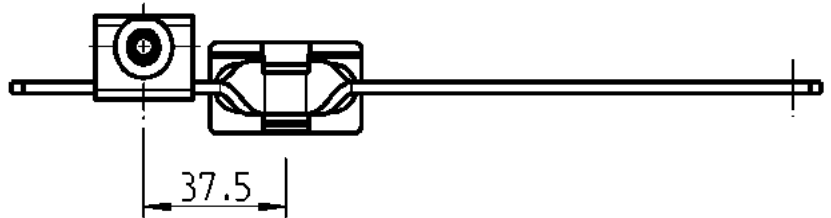
Program 2100

– Rod control 3YA-520



Door height Th	Rods		Locking points (door centre)		Rod material as requested; locking slider polyamide GF black	
	Dim. X	Dim. Y	Dim. C	Dim. D	Material	Part no.
800-1200	-	126,5	-	300	m.s. zinc pl.	1121-U99
					alum.	1121-U100
					AISI 304	1121-U101
1200-1600	-	276,5	-	450	m.s. zinc pl.	1121-U105
					alum.	1121-U106
					AISI 304	1121-U107
1600-1900	101,5	526,5	275	700	m.s. zinc pl.	1121-U111
					alum.	1121-U112
					AISI 304	1121-U113
1900-2200	101,5	676,5	275	850	m.s. zinc pl.	1121-U117
					alum.	1121-U118
					AISI 304	1121-U119

Note:
For dimensions see table
on catalogue page 3ZA-120



Further parts see page
 - Catches 3ZA-1220
 - Rod guide 3ZC-120
 to 3ZC-170

Program 1160
 - Swinghandle and
 escutcheon 3D-120
 3D-140

Program 1180
 - Swinghandle and
 escutcheon 3E-120
 3E-140
 - Rod control 3YA-480

Program 1190
 - Swinghandle 3F-120
 - Escutcheon 3F-220

**Program 1125, 1150,
 1225, 1325, 3000**
 - Rod control 3YA-110
 3YA-120

Program 1150
 - Rod control 3YA-420
 3YA-440

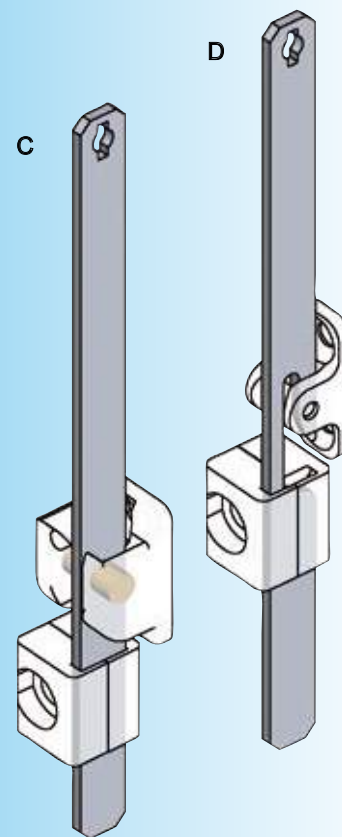
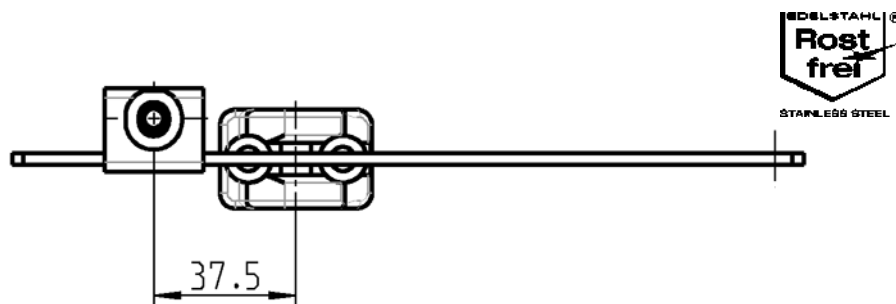
Program 2100
 - Rod control 3YA-520

Door height Th	Rods		Locking points (door centre)		Rod material as requested	
	Dim. X	Dim. Y	Dim. C	Dim. D	Material	Part no.
800-1200	-	126,5	-	300	m.s. zinc pl.	1121-71-01RA
					alum.	1121-71-01TA
					AISI 304	1121-71-01PC
1200-1600	-	276,5	-	450	m.s. zinc pl.	1121-71-03RA
					alum.	1121-71-03TA
					AISI 304	1121-71-03PC
1600-1900	101,5	526,5	275	700	m.s. zinc pl.	1121-71-05RA
					alum.	1121-71-05TA
					AISI 304	1121-71-05PC
1900-2200	101,5	676,5	275	850	m.s. zinc pl.	1121-71-07RA
					alum.	1121-71-07TA
					AISI 304	1121-71-07PC

Overview of rods

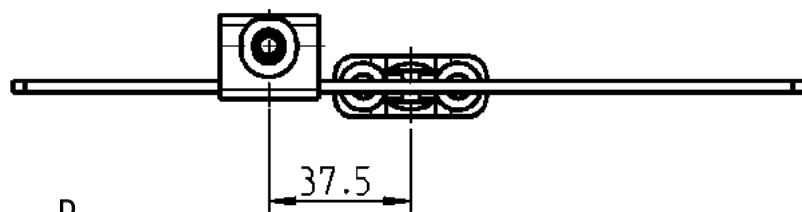
PROGRAM 1125 - 3000

Beschlagteile



Door height Th	Rods		Locking points (door centre)		Rod material as requested; double roller brass	
	Dim. X	Dim. Y	Dim. C	Dim. D	Material	Part no.
800-1200	-	126,5	-	300	m.s. zinc pl.	1121-U155
					alum.	on request
					AISI 304	on request
1200-1600	-	276,5	-	450	m.s. zinc pl.	1121-U158
					alum.	on request
					AISI 304	on request
1600-1900	101,5	526,5	275	700	m.s. zinc pl.	1121-U161
					alum.	on request
					AISI 304	on request
1900-2200	101,5	676,5	275	850	m.s. zinc pl.	1121-U164
					alum.	on request
					AISI 304	on request

Note:
For dimensions see table
on catalogue page 3ZA-120



Door height Th	Rods		Locking points (door centre)		Rod material as requested	
	Dim. X	Dim. Y	Dim. C	Dim. D	Material	Part no.
800-1200	-	126,5	-	300	m.s. zinc pl.	1121-68-01RA
					alum.	-
					AISI 304	-
1200-1600	-	276,5	-	450	m.s. zinc pl.	1121-68-03RA
					alum.	-
					AISI 304	-
1600-1900	101,5	526,5	275	700	m.s. zinc pl.	1121-68-05RA
					alum.	-
					AISI 304	-
1900-2200	101,5	676,5	275	850	m.s. zinc pl.	1121-68-07RA
					alum.	-
					AISI 304	-

Further parts see page

- Catches 3ZA-1220
3ZA-1240
- Rod guide 3ZC-120
to 3ZC-170

Program 1160

- Swinghandle and escutcheon 3D-120
3D-140

Program 1180

- Swinghandle and escutcheon 3E-120
3E-140
- Rod control 3YA-480

Program 1190

- Swinghandle 3F-120
- Escutcheon 3F-220

Program 1125, 1150, 1225, 1325, 3000

- Rod control 3YA-110
3YA-120

Program 1150

- Rod control 3YA-420
3YA-440

Program 2100

- Rod control 3YA-520

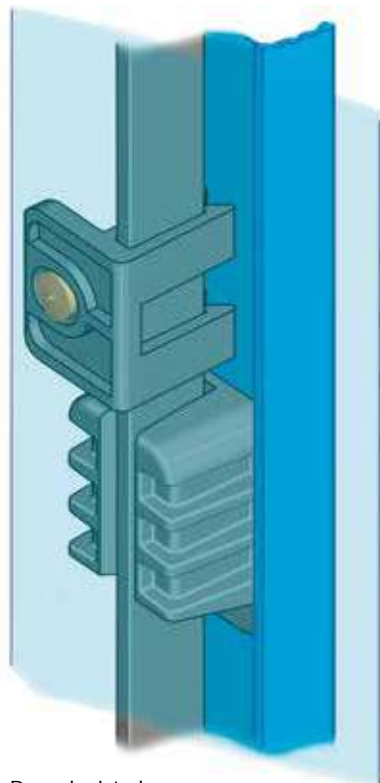
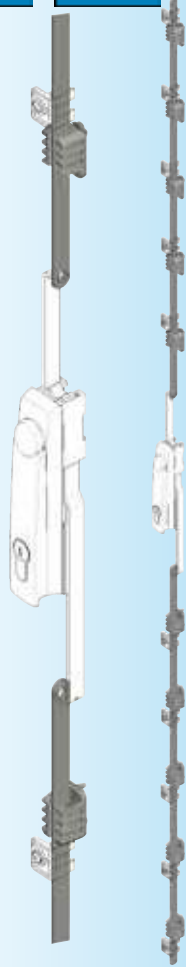


Info

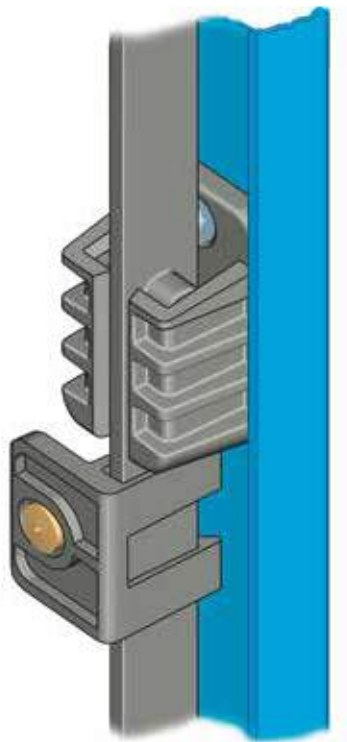
1 Quarter turns

2 Rod controls

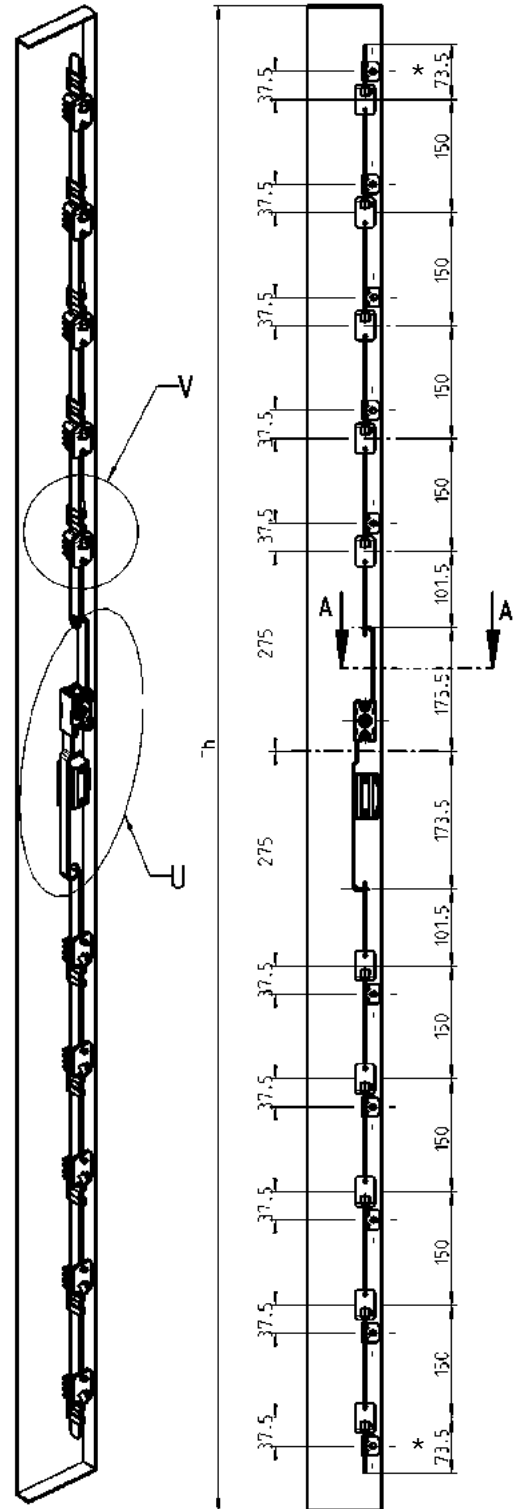
3 Locking systems



Door depicted transparent

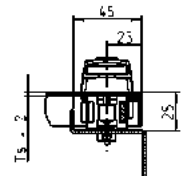


Depiction without door



Inside door representation

* = min length in case of shortened rods



Further parts see page

- Catches 3ZA-340
- Rod guide 3ZC-120 to 3ZC-170

Program 1160

- Swinghandle and escutcheon 3D-120 to 3D-140

Program 1180

- Swinghandle and escutcheon 3E-120 to 3E-140
- Rod control 3YA-320

Program 1190

- Swinghandle 3F-120
- Escutcheon 3F-220

Program 1125, 1150, 1225, 1325, 3000

- Rod control 3YA-120

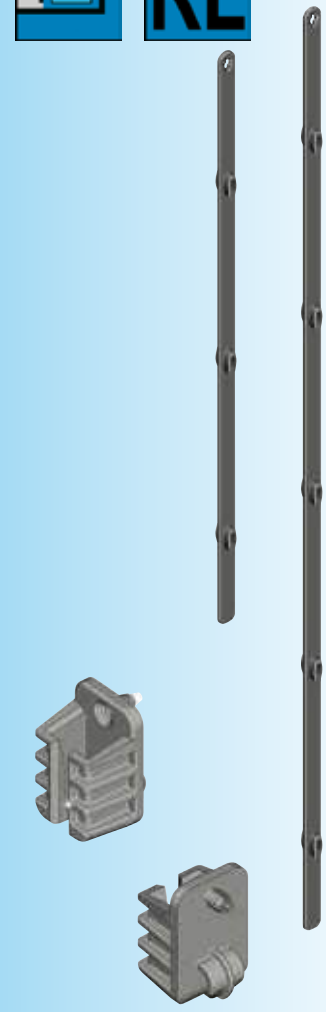
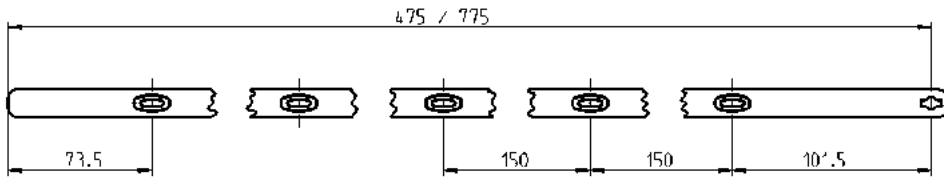
Program 1150

- Rod control 3YA-420 to 3YA-440

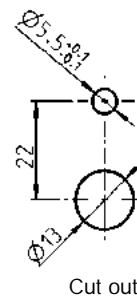
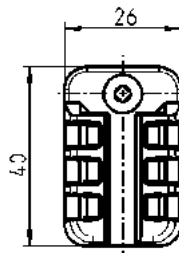
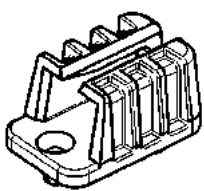
Program 2100

- Rod control 3YA-520

Rod with locking slider see catalogue page 3ZA-340

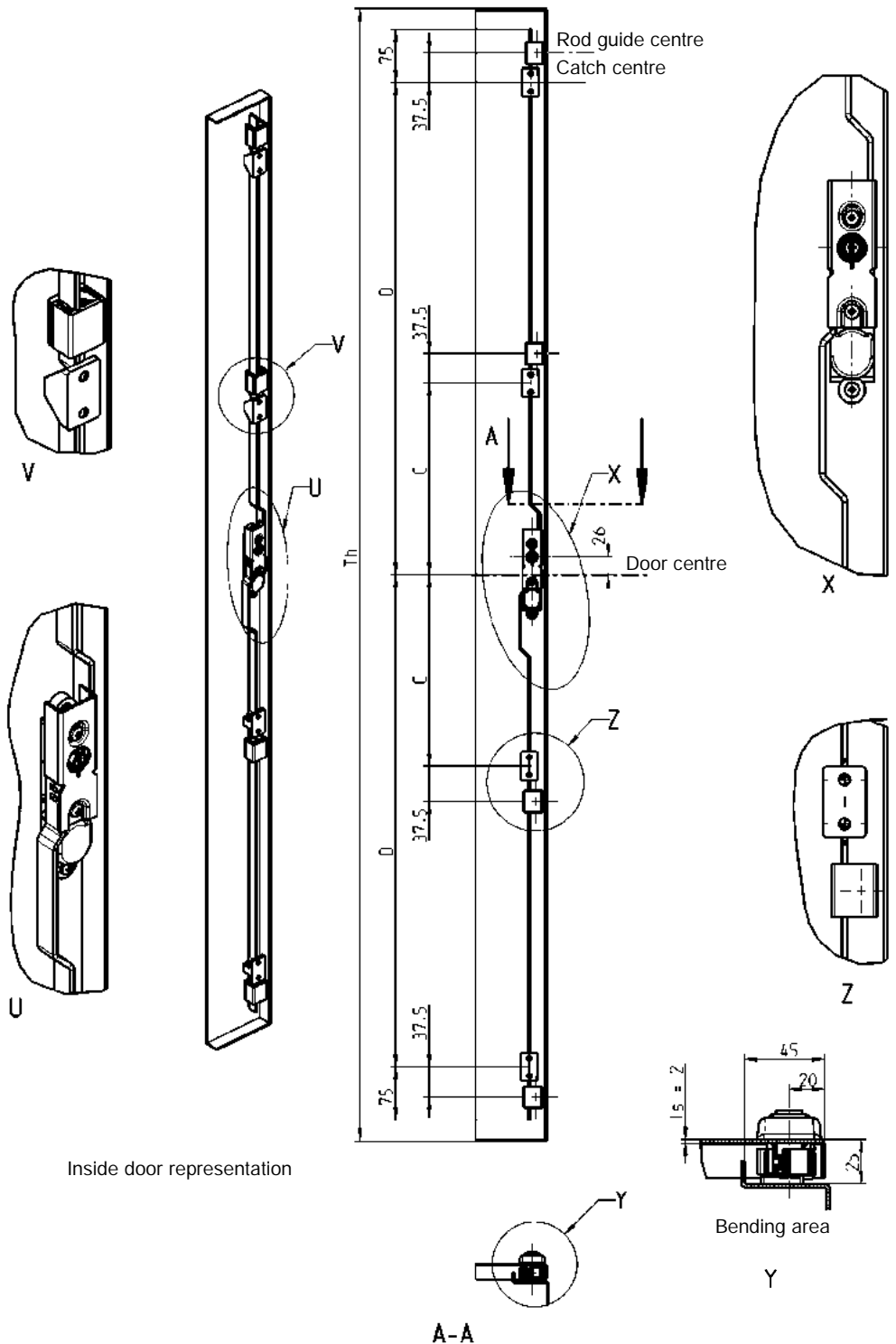
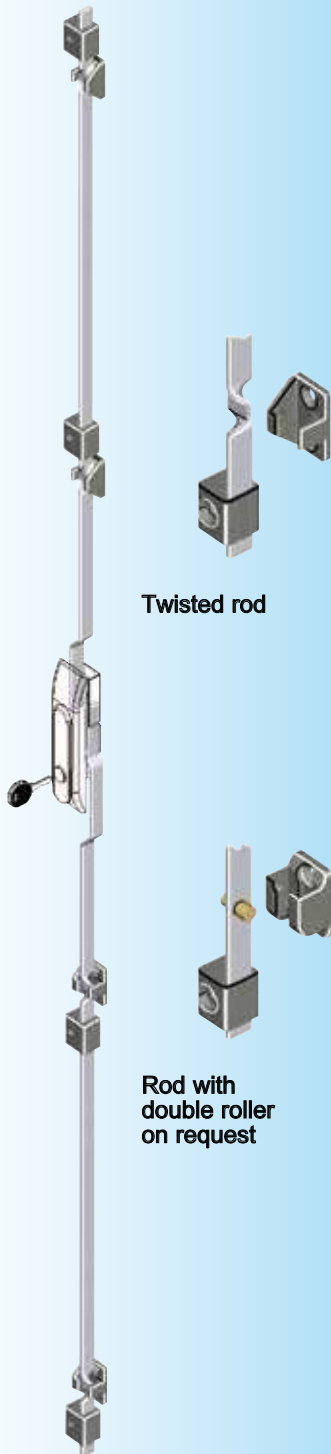


Rod with locking slider polyamide black			
Door height Th	Locking points	Rod length	* = Rod has to be shortened!
800-1300	2-3	475 *	1121-115
1300-1600	3	475	1121-115
1600-1900	4-5	775 *	1121-115-01
1900-2200	5	775	1121-115-01



Catch polyamide black	
for counter sunk screw Ø 3,5 x 13	1121-116-01
Counter sunk screw 3,5 x 13	
	000104

- Further parts see page**
 – Rod guide 3ZC-120 to 3ZC-170
- Program 1160**
 – Swinghandle and escutcheon 3D-120 3D-140
- Program 1180**
 – Swinghandle and escutcheon 3E-120 3E-140
 – Rod control 3YA-320
- Program 1190**
 – Swinghandle 3F-120
 – Escutcheon 3F-220
- Program 1125, 1150, 1225, 1325, 3000**
 – Rod control 3YA-120
- Program 1150**
 – Rod control 3YA-420 3YA-440
- Program 2100**
 – Rod control 3YA-520



Inside door representation

Further parts see page

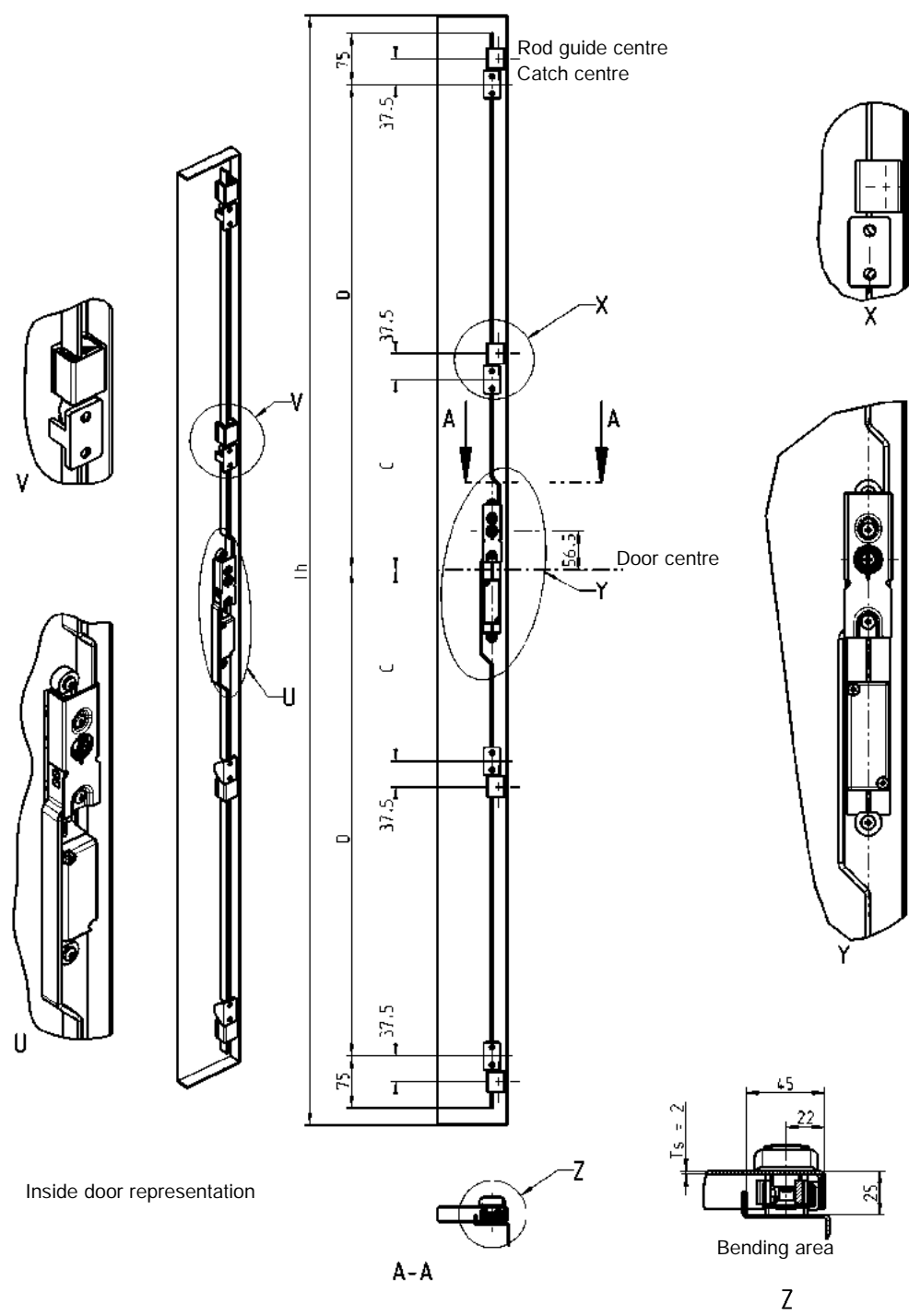
- Catches 3ZA-1220
- Rod guide 3ZC-120 to 3ZC-170

Program 1160

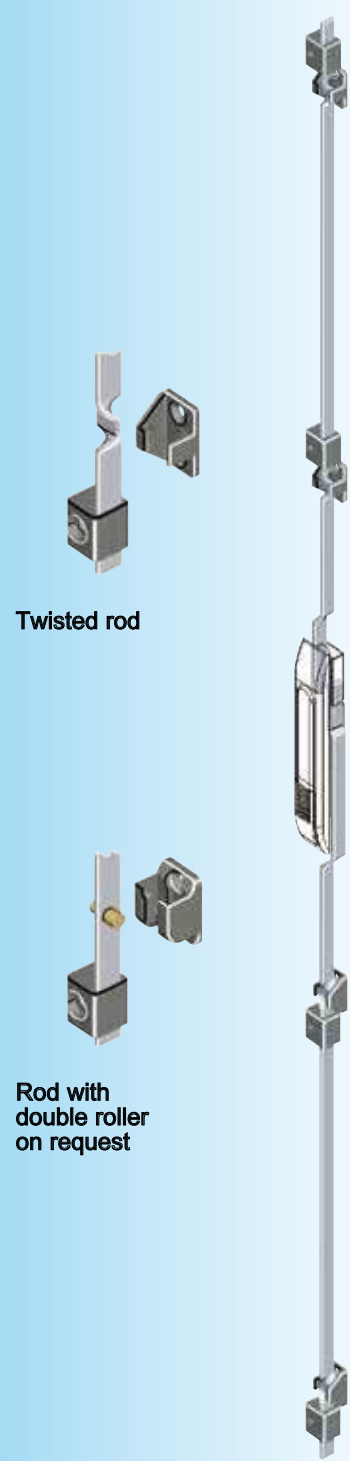
- Swinghandle and escutcheon 3D-220

Door height	Locking points (door centre)		Part no. Rods Upper rod		Part no. Rods Lower rod		
	Th	Dim. C	Dim. D	m.s. zinc pl.	alum.	m.s. zinc pl.	alum.
800-1200	-	300	1160-08-01RA	on request	1160-09-01RA	on request	on request
1200-1600	-	450	1160-08-03RA	on request	1160-09-03RA	on request	on request
1600-1900	275	700	1160-08-05RA	on request	1160-09-05RA	on request	on request
1900-2200	275	850	1160-08-07RA	on request	1160-09-07RA	on request	on request

Twisted rod PROGRAM 1180



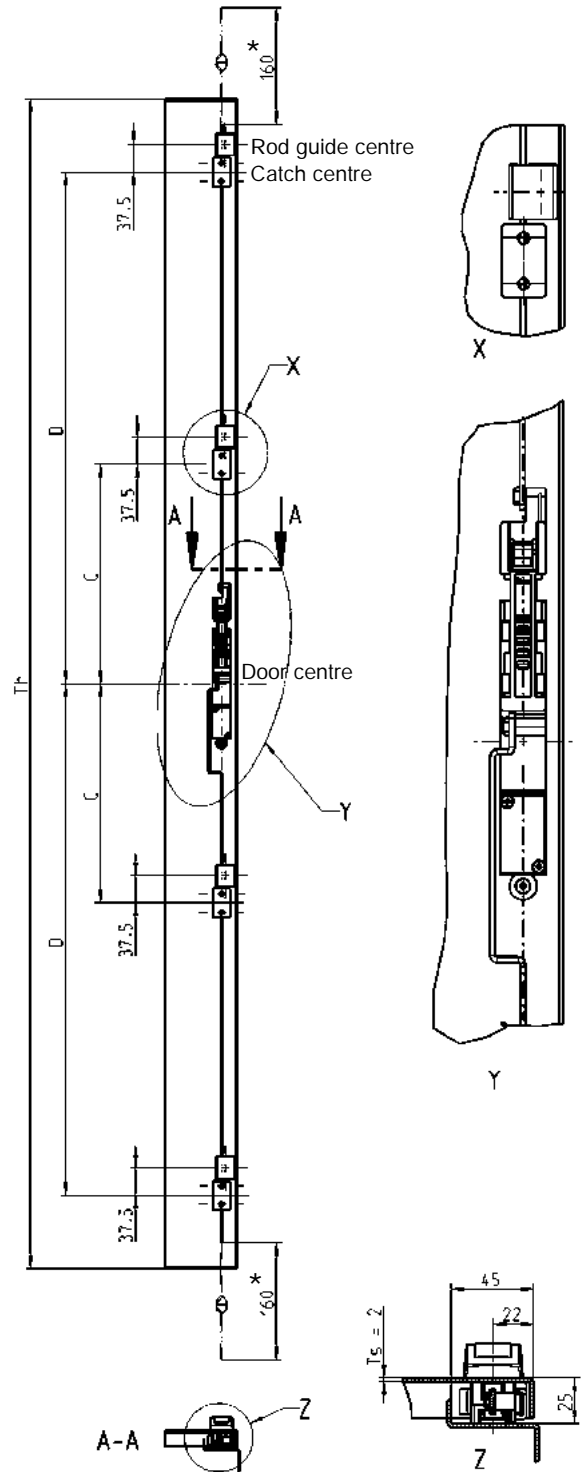
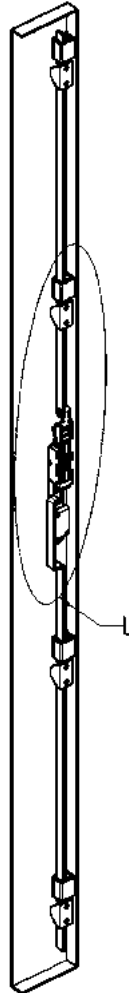
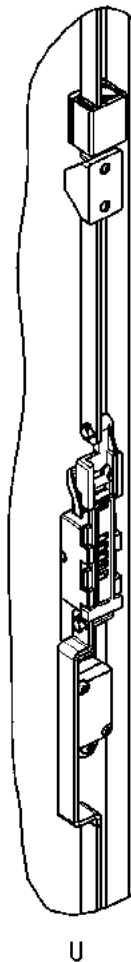
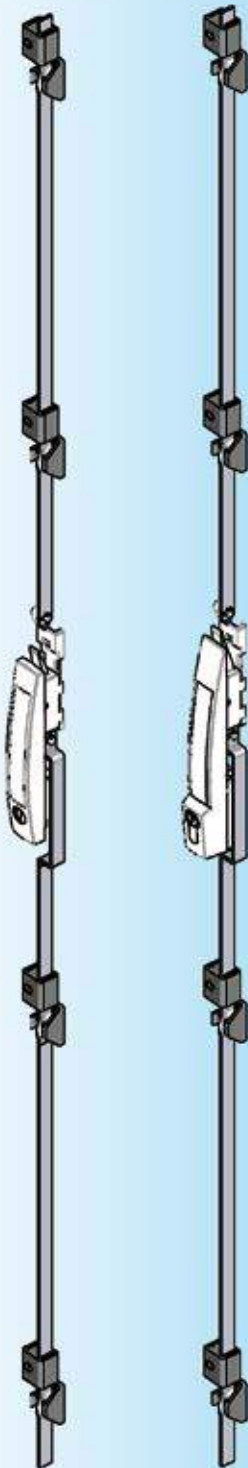
Inside door representation



Door height Th	Locking points (door centre)		Part no. Rods Upper rod		Part no. Rods Lower rod	
	Dim. C	Dim. D	m.s. zinc pl.	alum.	m.s. zinc pl.	alum.
800-1200	-	300	1180-08-01RA	on request	1180-09-01RA	on request
1200-1600	-	450	1180-08-03RA	on request	1180-09-03RA	on request
1600-1900	275	700	1180-08-05RA	on request	1180-09-05RA	on request
1900-2200	275	850	1180-08-07RA	on request	1180-09-07RA	on request

Further parts see page
 - Catches 3ZA-1220
 - Rod guide 3ZC-120
 to 3ZC-170

Program 1180
 - Swinghandle and
 escutcheon 3E-220



Door from inside Th = 1600-1900
illustrated as example

Bending area

* Flat rod has to be shortened

Further parts see page

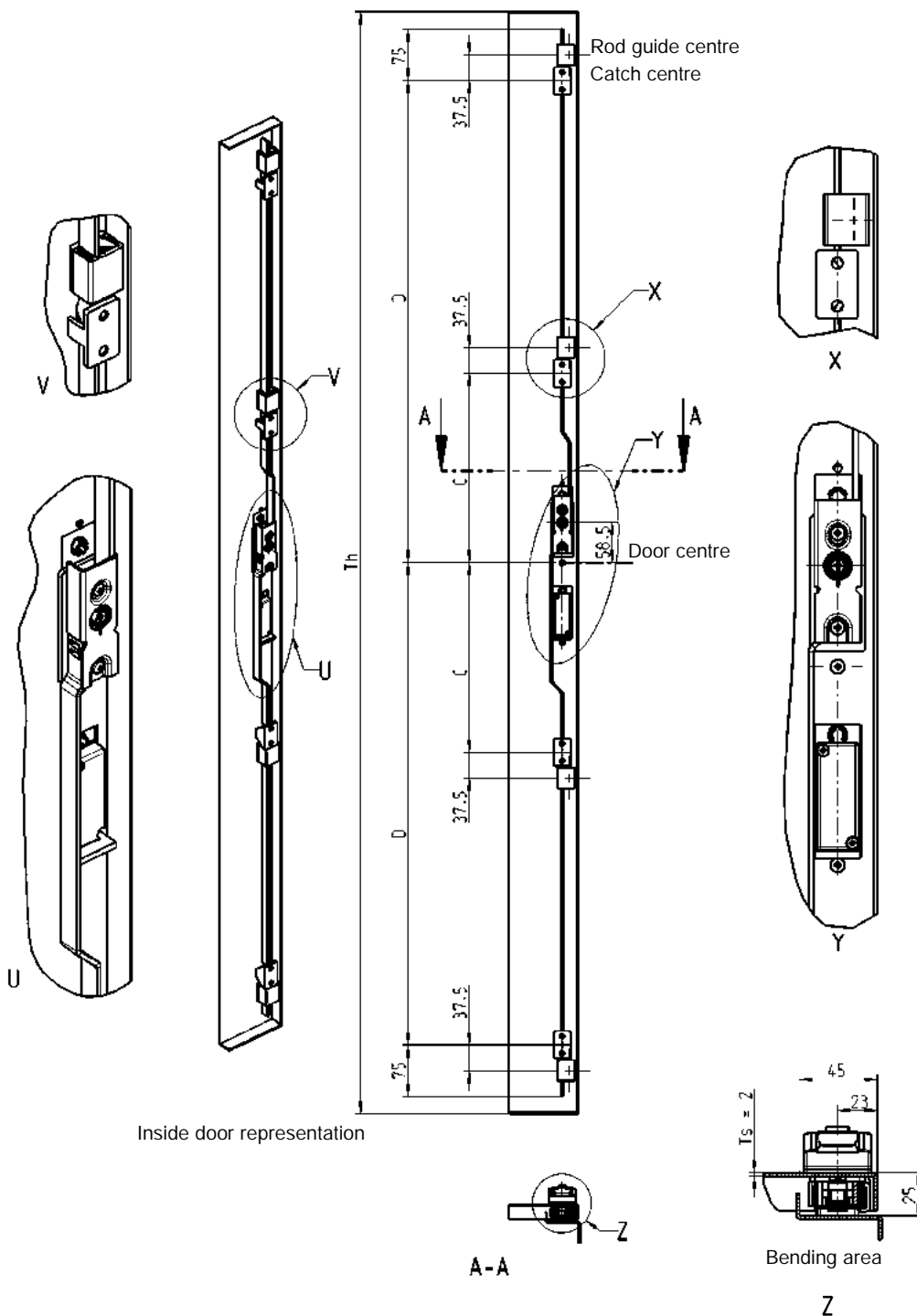
- Catches 3ZA-1220
- Rod guide 3ZC-120
- up to 3ZC-170

Program 1190

- Swinghandle 3F-320
- 3F-330

Door height Th	Locking points (door centre)		Part No. Rods Upper rod		Part no. Rods Lower rod	
	Dim. C	Dim. D	m.s. zinc pl.	alum.	m.s. zinc pl.	alum.
800-1200	-	300	1190-25-01JB*	1190-25-01TA*	1190-25-02JB*	1190-25-02TA*
1200-1600	-	450	1190-25-01JB	1190-25-01TA	1190-25-02JB	1190-25-02TA
1600-1900	300	700	1190-27-01JB*	1190-27-01TA*	1190-27-02JB*	1190-27-02TA*
1900-2200	300	850	1190-27-01JB	1190-27-01TA	1190-27-02JB	1190-27-02TA

Twisted rod PROGRAM 2400



Door height Th	Locking points (door centre)		Part No. Rods Upper rod		Part No. Rods Lower rod	
	Dim. C	Dim. D	m.s. zinc pl.	alum.	m.s. zinc pl.	alum.
800-1200	-	300	2400-19-01RA	on request	2400-18-01RA	on request
1200-1600	-	450	2400-19-03RA	on request	2400-18-03RA	on request
1600-1900	275	700	2400-19-05RA	on request	2400-18-05RA	on request
1900-2200	275	850	2400-19-07RA	on request	2400-18-07RA	on request

Further parts see page

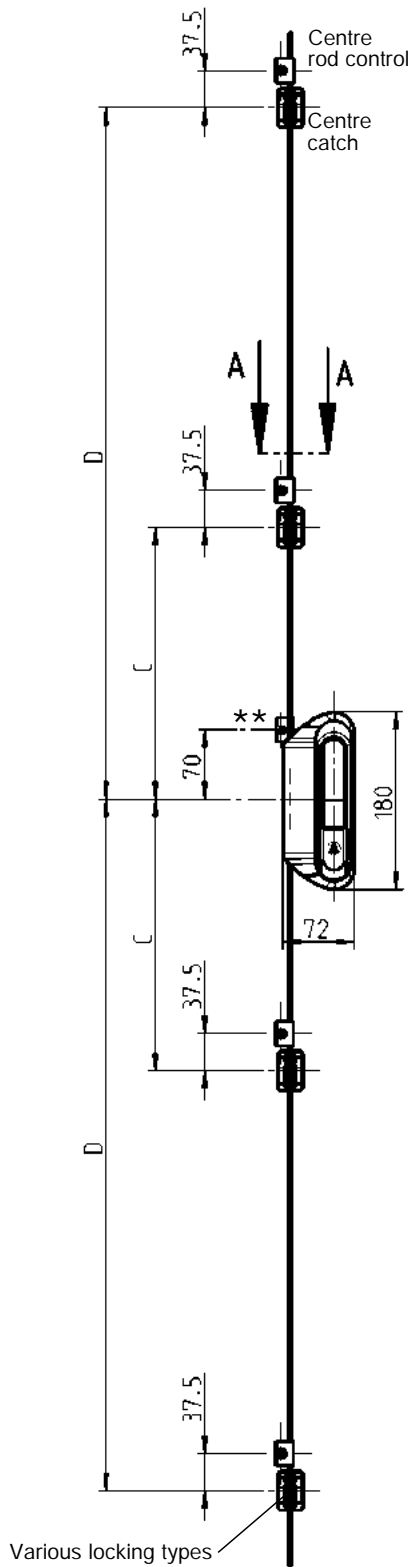
- Catches 3ZA-1220
- Rod guide 3ZC-120
up to 3ZC-170

Program 2400

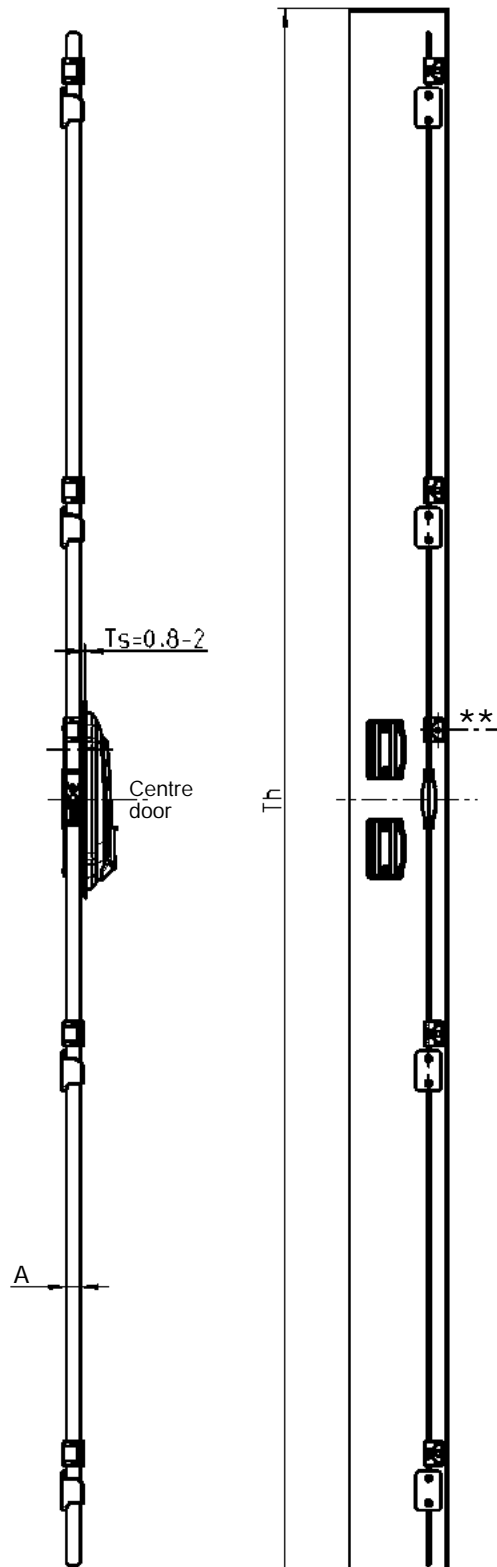
- Escutcheon 3K-220

Rods for narrow door return

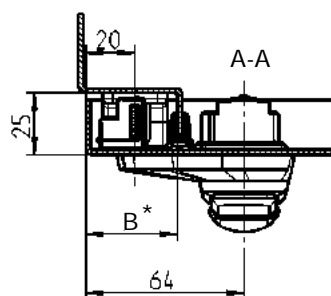
PROGRAM 1325



depicted without door



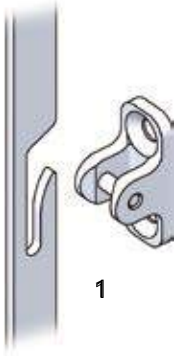
Door depicted from inside



* The values in the table for dimension B with seal refer to the seal 1011-10. Other seals result in different values for dimension B.

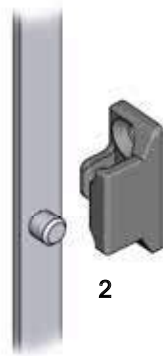
Dim. A	Flat rod 14x3	
Locking type (see right)	Dimension B	
	without seal	with seal*
1	30	33
2	30	33
3	34	37

Locking types



1

Rod with cut out



2

Rod with single roller



3

Rod with double roller



Locking type	Item	Page	Item no.
1	Catch	3ZA-1220	1121-U76
	Rod control	3ZC-120 3ZC-140	1121-89-11 1121-106
	rod control with cutout	see below	
	Hinge	① see bottom right corner	
2	Catch	-	2600-12
	Rod control	3ZC-120 3ZC-140	1121-89-11 1121-106
	rod control with single roll	see below	
	Hinge	① see bottom right corner	
3	Catch	3ZA-1220	1121-18-02
	Rod guide	3ZC-120 3ZC-140	1121-89-11 1121-106
	Rod with double roller	see below	
	Hinge	① see bottom right corner	

Rod 14x3 m.s. zinc plated

Door height Th	Locking points (door centre)			Item no.
	Dim. C	Dim. D	Locking type	
800-1200	-	300	1 (rod top)	1325-15-01JB
			1 (rod bottom)	1325-14-01JB
			2	on request
			3	on request
1200-1600	-	450	1 (rod top)	1325-15-03JB
			1 (rod bottom)	1325-14-03JB
			2	on request
			3	on request
1600-1900	275	700	1 (rod top)	1325-15-05JB
			1 (rod bottom)	1325-14-05JB
			2	on request
			3	on request
1900-2200	275	850	1 (rod top)	1325-15-07JB
			1 (rod bottom)	1325-14-07JB
			2	on request
			3	on request

① Fixing of hinge with countersunk screws

**** Note:**
additional rod guides necessary for door height up to 1600 mm

Further parts see page

Hinge suitable for the locking types 1, 2 and 3

- 125° hinge 4A-136
- 180° hinge (bottom) 4A-140
- 180° hinge 4A-145

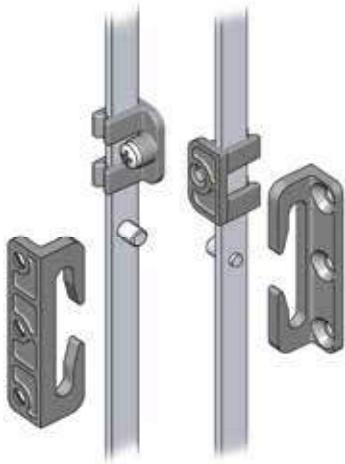
also suitable for locking type 3

- 180° hinge (26 mm door return) 4A-170
- 180° hinge (26 mm door return) 4A-210

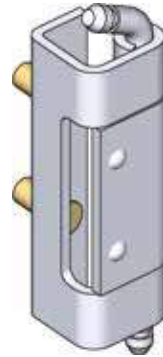
Program 1325

- Swing handle for narrow bending area 3BA-320

Locking type and rod control



130° concealed hinge



180° prominent hinge



Article	Material	Part no.
Swinghandle	see catalogue page 3BA-320	1325-U202
Catches	zinc-die black powder-coated for countersunk screw M5	1121-149
Rod guide	polyamide black for weld studs Ø 6x8-M4	1121-148
Rod	see below	
130° concealed hinge	Frame part m. s. zinc-plated with pressed-in grub screws M5x12; hinge roll m. s. crude for welding on; pin m. s. zinc-plated	on request
180° prominent hinge	zinc-die black powder-coated; fixing pin polyamide GF black; hinge pin stainless steel and disc brass	on request

Rod 10x3 m.s. zinc plated

Door height Th	Locking points (door centre)				Part no.
	Dim. E	Dim. F	Dim. G	Dim. H	
800-1200	-	-	305	295	1325-U220-01
1200-1600	-	-	455	445	1325-U220-03
1600-1900	280	270	705	695	1325-U220-05
1900-2200	280	270	855	845	1325-U220-07

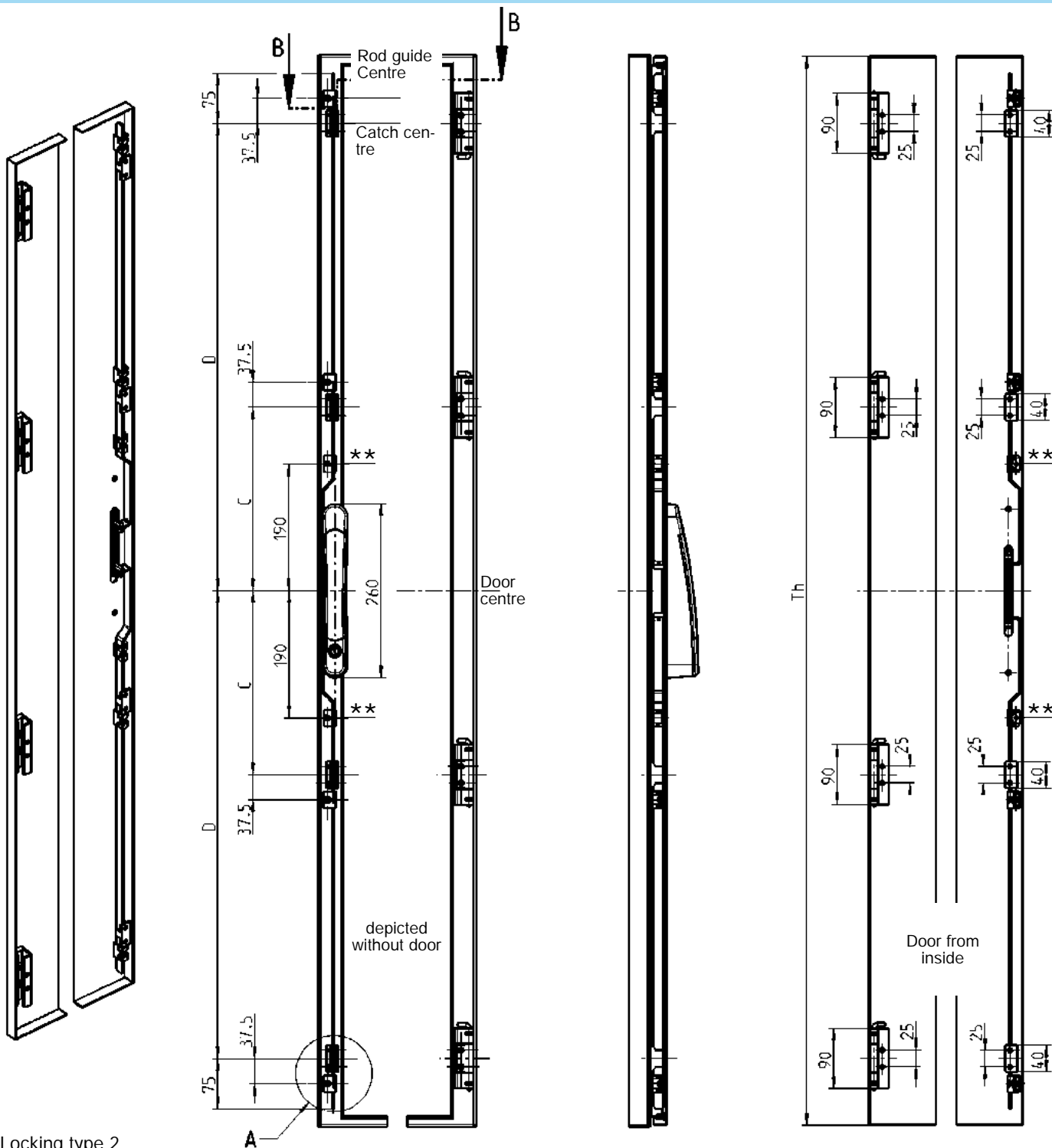
** Note:
additional rod guides necessary for door height up to 1600 mm

Further parts see page

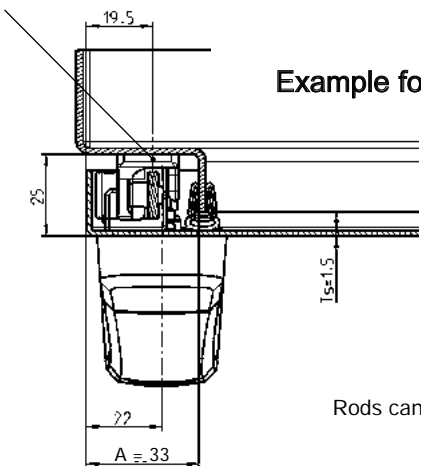
Program 1325
– Swing handle for narrow bending area 3BA-320

Rods for narrow door return

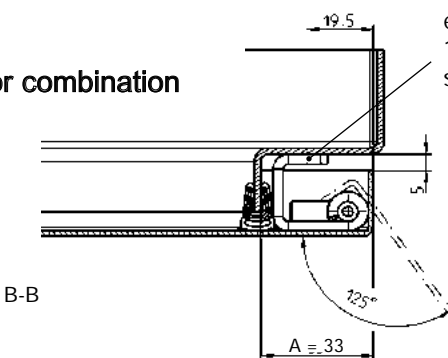
PROGRAM 1390



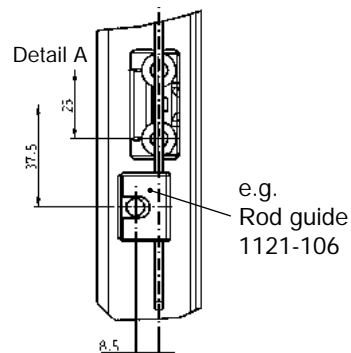
e.g. Locking type 2



Example for combination



Rods can move in both directions

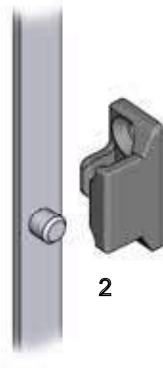




Locking types



Rod with cut out



Rod with single roller



Rod with double roller

Locking option	Dimension A	Article	Catalogue page	Part no.
1	33	Catches	* 3ZA-1220	1121-U76
		Rod guide	3ZC-120 3ZC-140	1121-89-11 1121-106
		Rod with cut out	see below	
		Hinge	* see bottom right corner	
2	33	Catches	* -	2600-12
		Rod guide	3ZC-120 3ZC-140	1121-89-11 1121-106
		rod control with single roll	see below	
		Hinge	* see bottom right corner	
3	37	Catch	* 3ZA-1220	1121-18-02
		Rod guide	3ZC-120 3ZC-140	1121-89-11 1121-106
		rod control with double roll	see below	
		Hinge	* see bottom right corner	



* Fixing with countersunk screws acc. to DIN ISO 2009, 2010, 7046-1, 7046-2, 7047

** Note: additional rod guides necessary for door height up to 1600 mm

Further parts see page

Hinge suitable for the locking types 1, 2 and 3

- 125° hinge 4A-136
- 180° hinge (bottom) 4A-140
- 180° hinge 4A-145
- 180° hinge (bottom) 4A-170
- 180° hinge (26 mm door return) 4A-210
- 180° hinge 4A-215

Program 1390

- Lifthandle for small clearance 3FA-120

Door height	Locking points (door centre)		Rod		
			Locking option	Part no.	
Th	Dim. C	Dim. D		Upper rod	Lower rod
** 800-1200	-	300	1	1390-11-01JB	1390-12-01JB
			2	1390-U10-01	
			3	1390-U11-01	
** 1200-1600	-	450	1	1390-11-03JB	1390-12-03JB
			2	1390-U10-03	
			3	1390-U11-03	
1600-1900	275	700	1	1390-11-05JB	1390-12-05JB
			2	1390-U10-05	
			3	1390-U11-05	
1900-2200	275	850	1	1390-11-07JB	1390-12-07JB
			2	1390-U10-07	
			3	1390-U11-07	

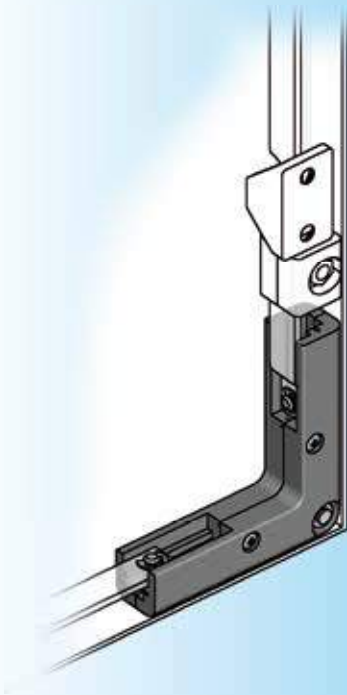


Info

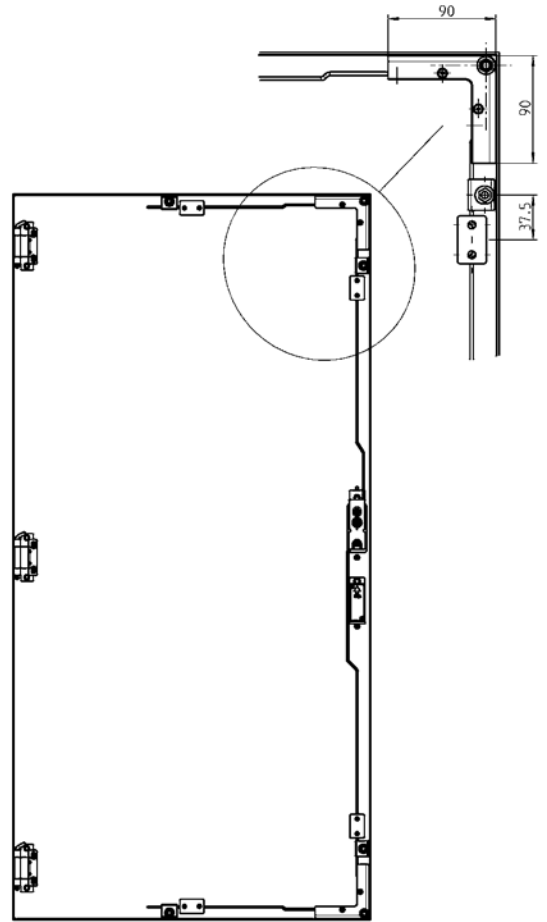
1 Quarter turns

2 Rod controls

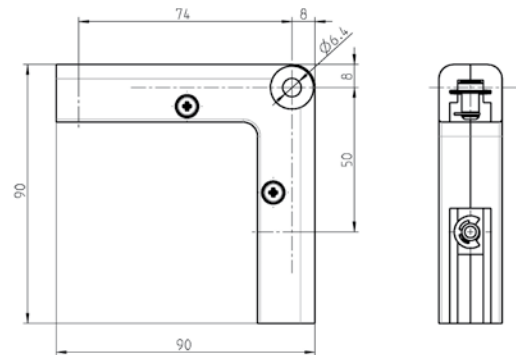
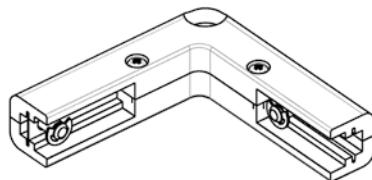
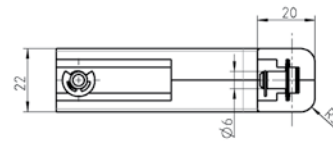
3 Locking systems



Door pictured transparent



Inside door representation



Rods suitable for the programs
1125, 1150, 1160, 1180, 1190,
1225,
1325, 2100, 2400 and 3000
as requested individually!

Further parts see page
– Rods without 90° turn 3ZA-120

90° turn polyamide black, drive spring steel zinc plated

for weld stud M6x20

1121-U170

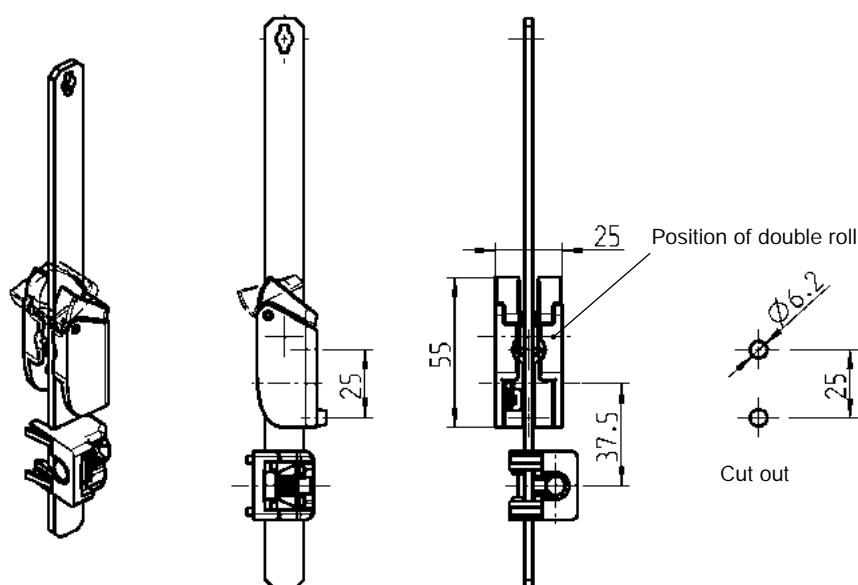
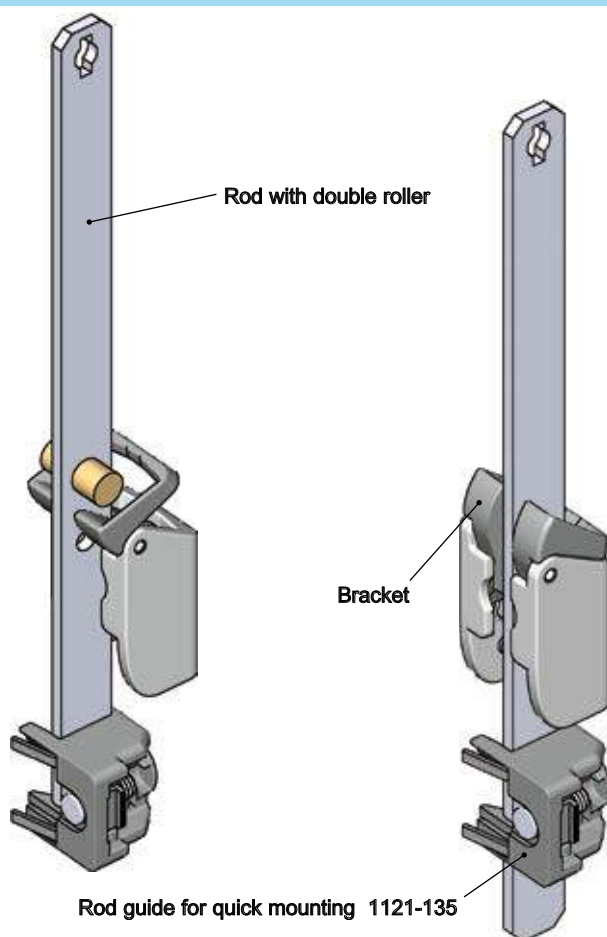
3ZA-1120

(3ZA-420)

Rod with double roll for catch with bracket and extended catch area

PROGRAM 1125 - 3000

- Product benefits**
- the bracket increases the catch area from 8.5 mm to 13 mm
 - ensures that the double roll is hooked in the catch before the seal is compressed
 - fixing with only one screw instead of two
 - exchangeable with the previous catch 1121-18-02
 - rod control remains in former position
 - can be closed very conveniently
 - patented!



Note:
For dimensions see table on catalogue page 3ZA-120

Further parts see page
– Rod guide 3ZC-120 up to 3ZC-170

Program 1160
– Swinghandle and escutcheon 3D-120 3D-140

Program 1180
– Swinghandle and escutcheon 3E-120 3E-140
– Rod control 3YA-480

Program 1190
– Swinghandle 3F-120
– Escutcheon 3F-220

Program 1125, 1150, 1225, 1325, 3000
– Rod control 3YA-110 3YA-120

Program 1150
– Rod control 3YA-420 3YA-440

Program 2100
– Rod control 3YA-520

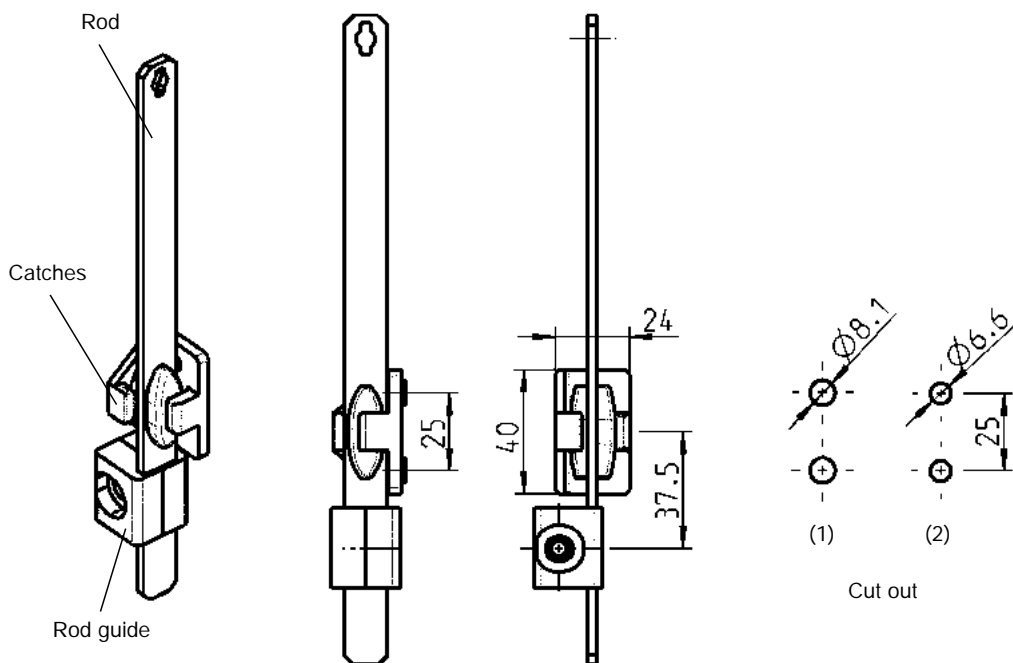
Door height Th	Rods		Locking points (door centre)		Rod control m.s. zinc-plated; double roll, brass
	Dim. X	Dim. Y	Dim. C	Dim. D	
800-1200	–	126,5	–	300	1121-U155-01
1200-1600	–	276,5	–	450	1121-U158-01
1600-1900	101,5	526,5	275	700	1121-U161-01
1900-2200	101,5	676,5	275	850	1121-U164-01

Catch zinc-die zinc-plated for rod with double roll;
bracket polyamide GF black; with spring

1121-U194

Catches

PROGRAM 1125, 1150, 1160, 1180, 1225, 1325, 2100, 2400, 3000



Catch interchangeable with hinge 120°, catalogue page 4A-190 or hinge 180° catalogue page 4A-210

Catch zinc die black powder coated for rod with locking slider

with M6 female thread

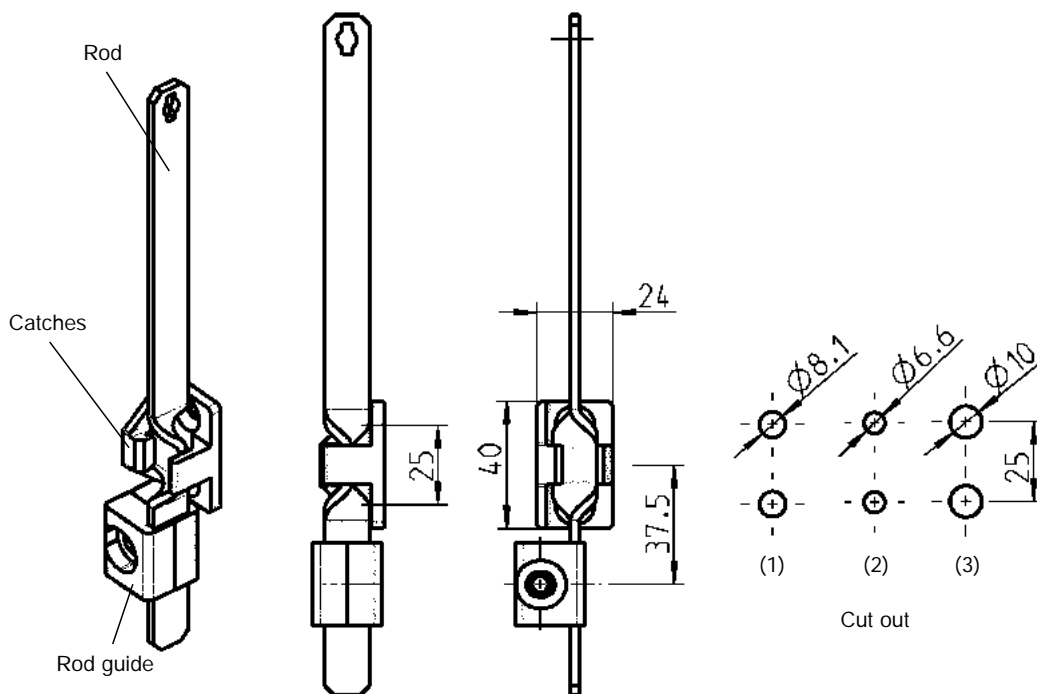
(1)

1121-54-P

for counter sunk screw (2D-nut applicable)

(2)

1121-53-P



Catch interchangeable with hinge 120°, catalogue page 4A-190 or hinge catalogue page 4A-210

Catch zinc die black powder coated for twisted rod

with M6 female thread

(1)

1121-70-01

for counter sunk screw M6 (2D-nut applicable)

(2)

1121-70

with clamping pin, polyamide black, Ts = 2,0

(3)

1121-U137

with M10 outside thread, nut m.s. zinc plated

(3)

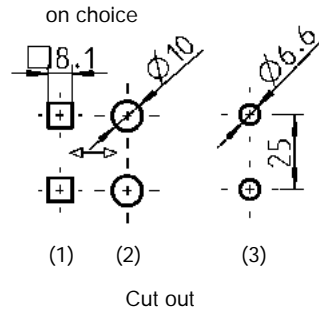
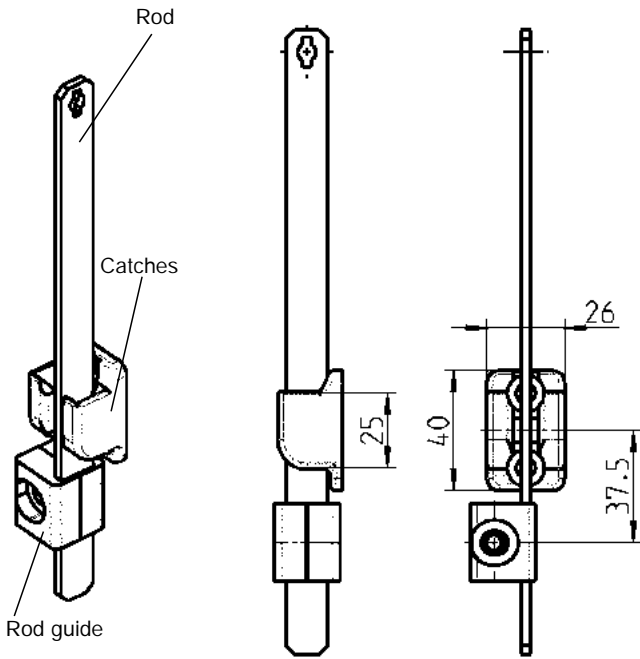
1121-U152

Catch polyamide 66 GF 50 black for twisted rod

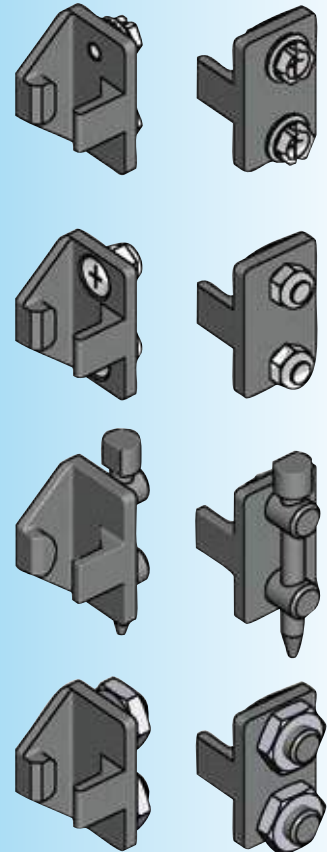
for counter sunk screw M6 (2D-nut applicable)

(2)

1121-70-04SK



4 different fixing possibilities

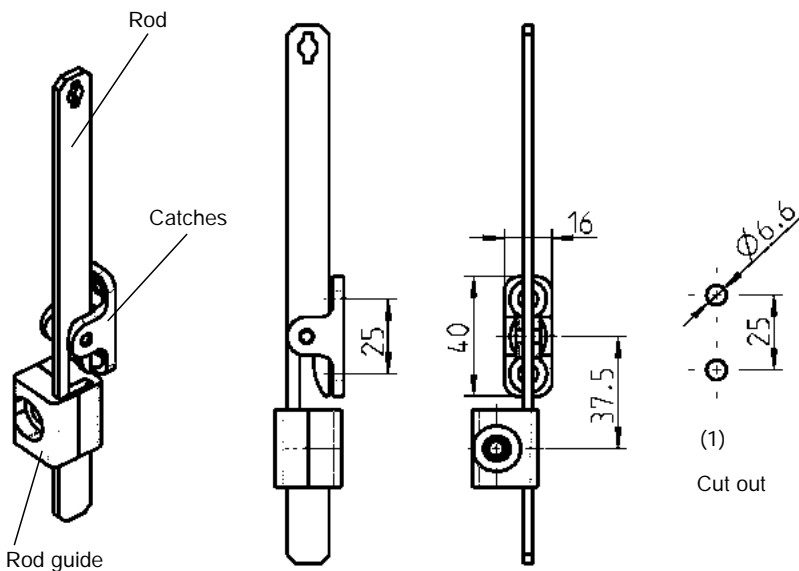


Catch zinc die black powder coated for rod with double roller

with M6 female thread	(1) (2)	1121-18-01
for counter sunk screw M6 (2D-nut applicable)	(3)	1121-18-02

Catch AISI 316 for rod with double roller

for counter sunk screw M6 (2D-nut applicable)	(3)	1121-18-02PH
---	-----	--------------



Catch interchangeable with hinge 120° catalogue page 4A-190 or hinge 180° catalogue page 4A-210

Catch zinc die black powder coated for rod with cut out

for countersunk screw small head M6 (2D nut usable)	(1)	1121-U76
---	-----	----------

small head = DIN ISO 2009, 2010, 7046-1, 7046-2, 7047

Further parts see page
– 2D-nut

12E-120

Program 1125, 1150, 1160, 1180, 1190, 1225, 1325, 2100, 3000
– Rods

3ZA-120

Program 1160

– Rod locks

3ZA-420

Program 1180

– Lock rods

3ZA-520

Program 1190

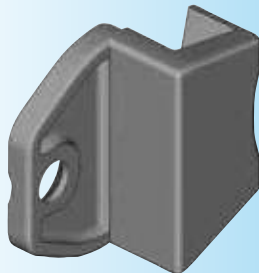
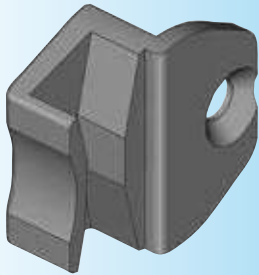
– Rods

3ZA-560

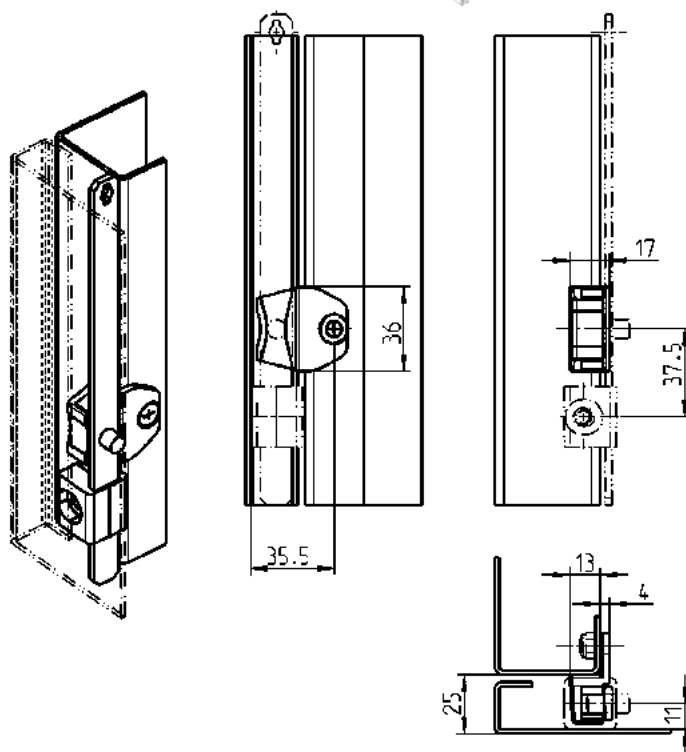
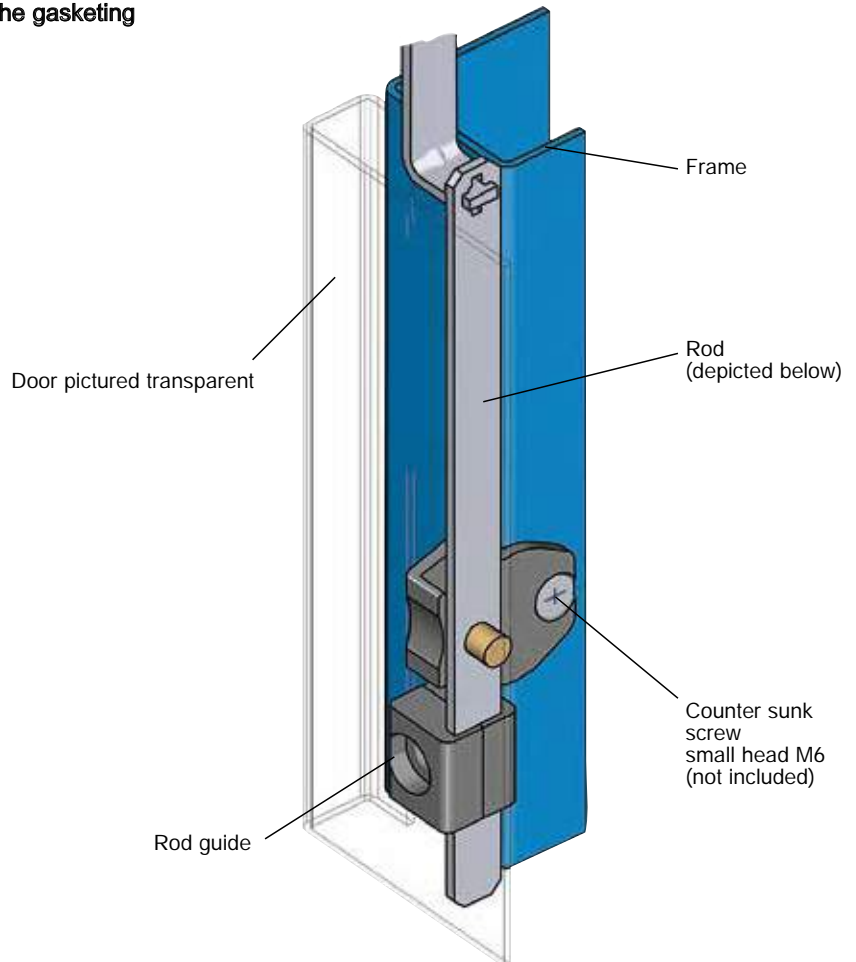
Program 2400

– Rods

3ZA-820



Lateral fixing to the frame inside the gasketing



small head ≙ DIN ISO 2009, 2010, 7046-1, 7046-2, 7047

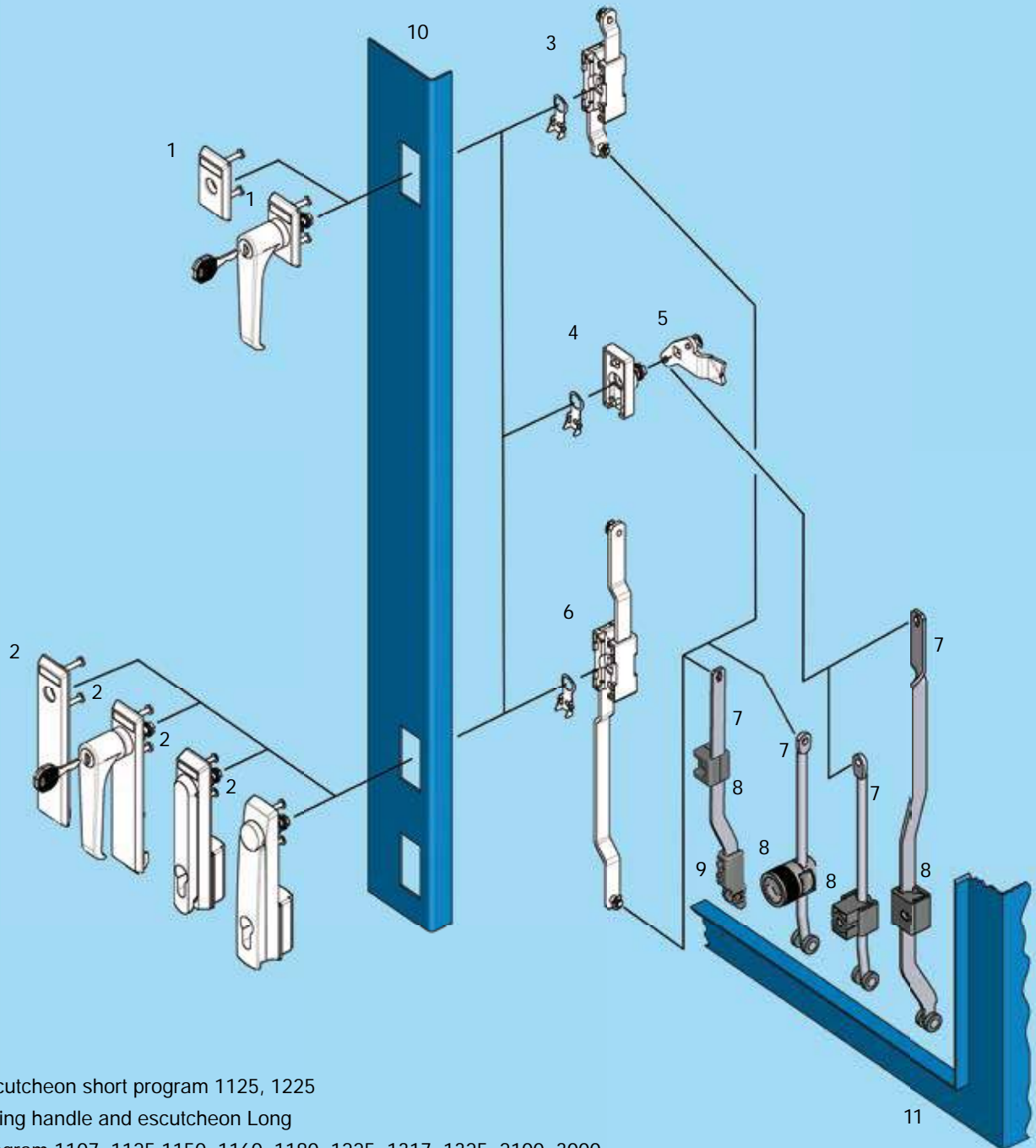
Further parts see page

Program 1125, 1150, 1160, 1180, 1190, 1225, 1325, 2100, 3000
– Rods 3ZA-260

Catch zinc die black powder coated

1121-108-AA

Rod within the gasketing



- 1 Escutcheon short program 1125, 1225
- 2 Swing handle and escutcheon Long
Program 1107, 1125, 1150, 1160, 1180, 1225, 1317, 1325, 2100, 3000
- 3 Rod control
- 4 Bearing bush
- 5 Cam
- 6 Rod control
- 7 Rod (inside the gasketing)
- 8 Rod guide
- 9 Roller shoe
- 10 Door
- 11 Cabinet/frame



3ZB-100

Rods

PROGRAM 1107, 1125, 1150, 1180, 1225, 1317, 1325, 2100, 3000

Application:
Program 1125, 1150, 1225, 1325, 3000
 - Rod control
 3YA-140
 (Version B) 3YA-160
 3YA-180
 3YA-240

Program 1107, 1125, 1180, 1225, 1317, 1325, 2100, 3000
 - Cam
 3YB-420
 3YB-440
 3YC-120

Application:
Program 1125, 1150, 1225, 1325, 3000
 - Rod control
 3YA-140
 (Version B) 3YA-160
 3YA-180
 3YA-240

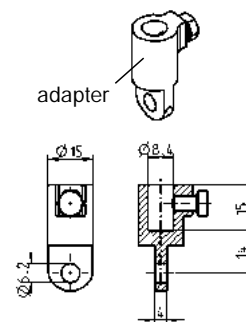
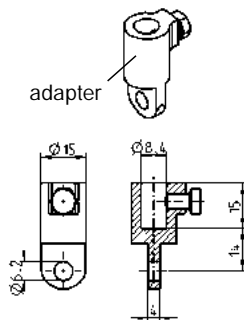
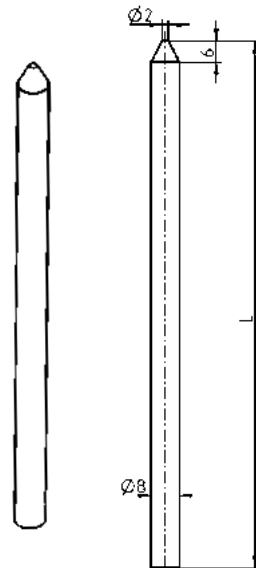
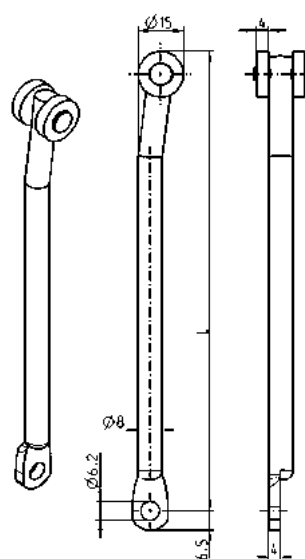
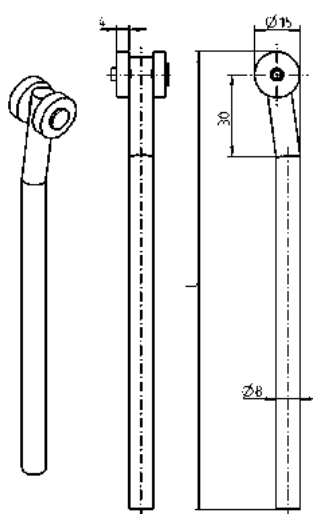
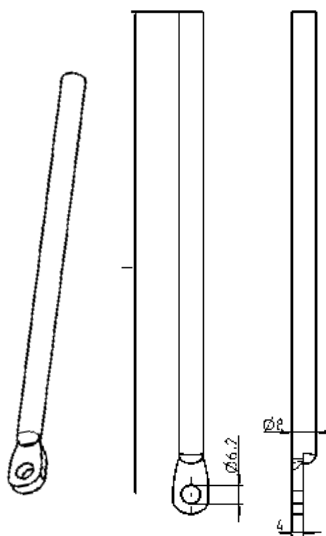
Program 1107, 1125, 1180, 1225, 1317, 1325, 2100, 3000
 - Cam
 3YB-420
 3YB-440
 3YC-120

Application:
Program 1125, 1150, 1225, 1325, 3000
 - Rod control
 3YA-140
 (Version B) 3YA-160
 3YA-180
 3YA-240

Program 1107, 1125, 1180, 1225, 1317, 1325, 2100, 3000
 - Cam
 3YB-420
 3YB-440
 3YC-120

Application:
Program 1125, 1150, 1225, 1325, 3000
 - Rod control
 3YA-140
 (Version B) 3YA-160
 3YA-180
 3YA-240

Program 1107, 1125, 1180, 1225, 1317, 1325, 2100, 3000
 - Cam
 3YB-420
 3YB-440
 3YC-120



Round rod m.s. zinc plated or
 AISI 304 with roller polyamide
 black

L in mm	m.s. zinc pl.	AISI 304
600	1049-U3	1049-U12
700	1049-U4	1049-U13
800	1049-U5	1049-U14
900	1049-U6	1049-U15
1000	1049-U7	1049-U16
1100	1049-U8	1049-U17
1200	1049-U9	-
adapter	zinc die, m.s. zinc plated	AISI 303
	1000-U49	1000-U141

Round rod with eye, material
 on choice, rollers polyamide
 black

m.s. zinc plated for rod control
1121-U30-L mm (1121-U30-01 to -08 see price list)
m.s. zinc plated for cam (Eye turned by 90°)
1000-U144-L mm (1000-U144-01 to -17 see price list)
AISI 304 for cam (Eye turned by 90°)
1000-U538-L mm (1000-U538-01 to -09 see price list)

Round rod with pointed end, m.s.
 zinc plated

1049-19-L mm (1049-19-01 to -17 see price list)
Adapter zinc die m.s. zinc plated
1000-U49

Round rod
 with eye m.s. zinc pl.

L in mm	
400	1000-33
500	1000-34
600	1000-35
700	1000-36
800	1000-37
900	1000-38
1000	1000-39
1100	1000-114
1200	1000-115



Minimum order quantity: 200 pieces
Lower quantities on request!

L ≤ 1200

Order example: Article number for a rod with rollers and a length of 1034 mm = 1049-U18-L 1034

Application:
Program 1125, 1150,
1225, 1325, 3000

- Rod control 3YA-140
(Version B) 3YA-160
3YA-180
3YA-240

**Program 1107, 1125, 1180,
1225, 1317, 1325, 2100, 3000**

- Cam 3YB-420
3YB-440
3YC-120

Use:
Program 1125, 1150,
1225, 1325, 3000

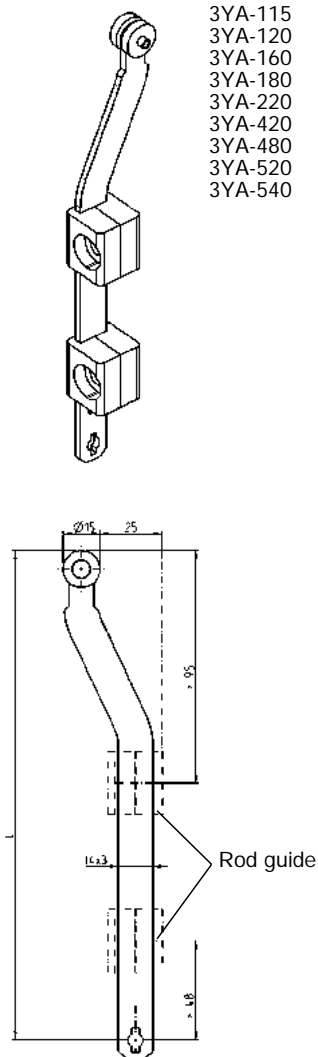
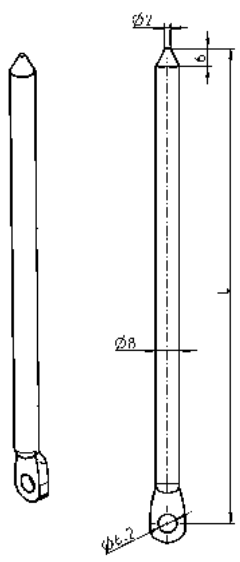
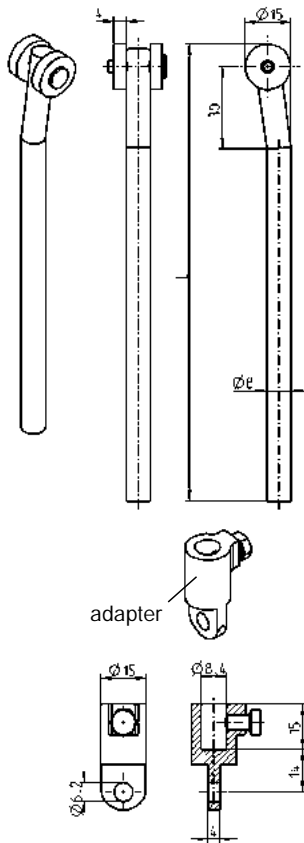
- Rod control 3YA-140
(Version B) 3YA-160
3YA-180
3YA-240

**Program 1107, 1125, 1180,
1225, 1317, 1325, 2100, 3000**

- Cam 3YB-420
3YB-440
3YC-120

Application:
Program 1125, 1150, 1160,
1180, 1225, 1325, 2100, 3000

- Rod control 3D-120
3D-140
3E-120
3E-140
3YA-110
3YA-115
3YA-120
3YA-160
3YA-180
3YA-220
3YA-420
3YA-480
3YA-520
3YA-540



**Round rod m.s.zinc plated,
with rollers polyamide black**
1049-U18-L mm
(1049-U18-01 to -17
see price list)
Adapter zinc die zinc pl.
1000-U49

**Round rod with eye and
pointed end, m.s. zinc
plated**
1000-211-L mm
(1000-211-01 to -17
see price list)

**Flat rod m.s. zinc pl. with rollers
polyamide black**
1121-U28-L mm
(1121-U28-01 to -08
see price list)
**Flat rod without hole
L = 1007.5**
1121-U148

Further parts see page
Rod guide
for flat rod 3ZC-120
up to 3ZC-170
for round rod 3ZC-210
3ZC-220



L ≤ 1200

Order sample:

PO no. of the connection rod m.s. zinc plated for shoe with a length of 1034 mm
≙ 1000-XXX-L 1034

Minimum quantity: 200 pieces
Smaller quantities on request!

Calculation of
rod length L

$$L = \frac{X - Z}{2} + Y$$

Application: program 1107, 1125, 1150, 1180, 1225, 1317, 1325, 2100, 3000

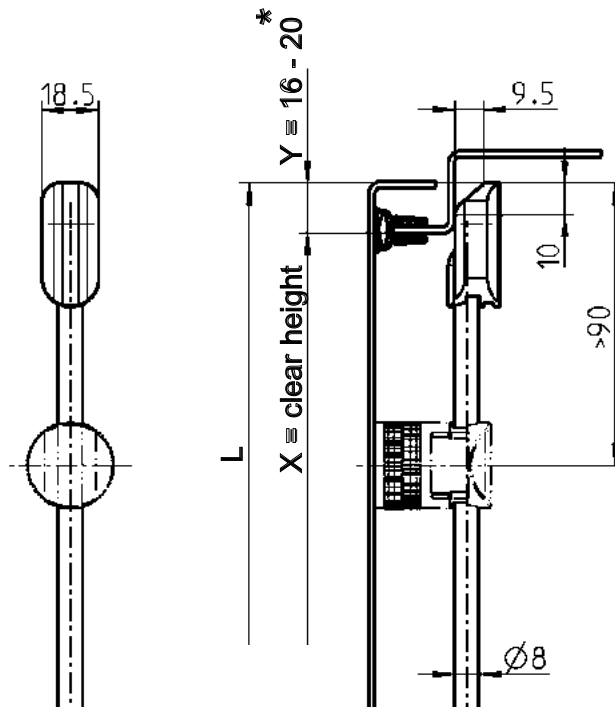
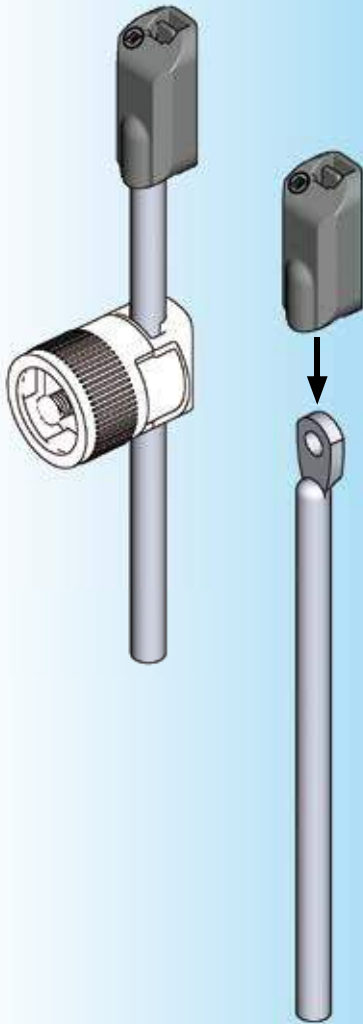
- rod control

3YA-140; 3YA-160; 3YA-180; 3YA-240

- cams

3YB-420; 3YB-440; 3YB-460; 3YC-120; 3YC-140; 3YC-180

* Dimension Y depending on type of gasketing



Z ≙ rod control length (e.g. Dimension 400 on page 3YA--140)
Z ≙ cam gauge for bore holes for pin rivets (e.g. dimension 18 for 1107 or dimension 26 for 1000 on page 3YC--120)

Please indicate dimension L in the order

Further parts see page
- Rod guide

3ZC-210
3ZC-220

Round rod connection to rod control or cam and material as requested

	m.s. zinc plated	AISI 304
	on request	on request
Shoe Polyamide GF black		
		1000-526-AA

Connection rod with shoe

PROGRAM 1125 - 3000

Minimum quantity: 200 pcs.
Smaller quantities on request!



L ≤ 1200

Order sample:

PO no. of connection rod m.s. zinc plated with shoe complete at a length of 1034 mm = 1121-U187-L 1034

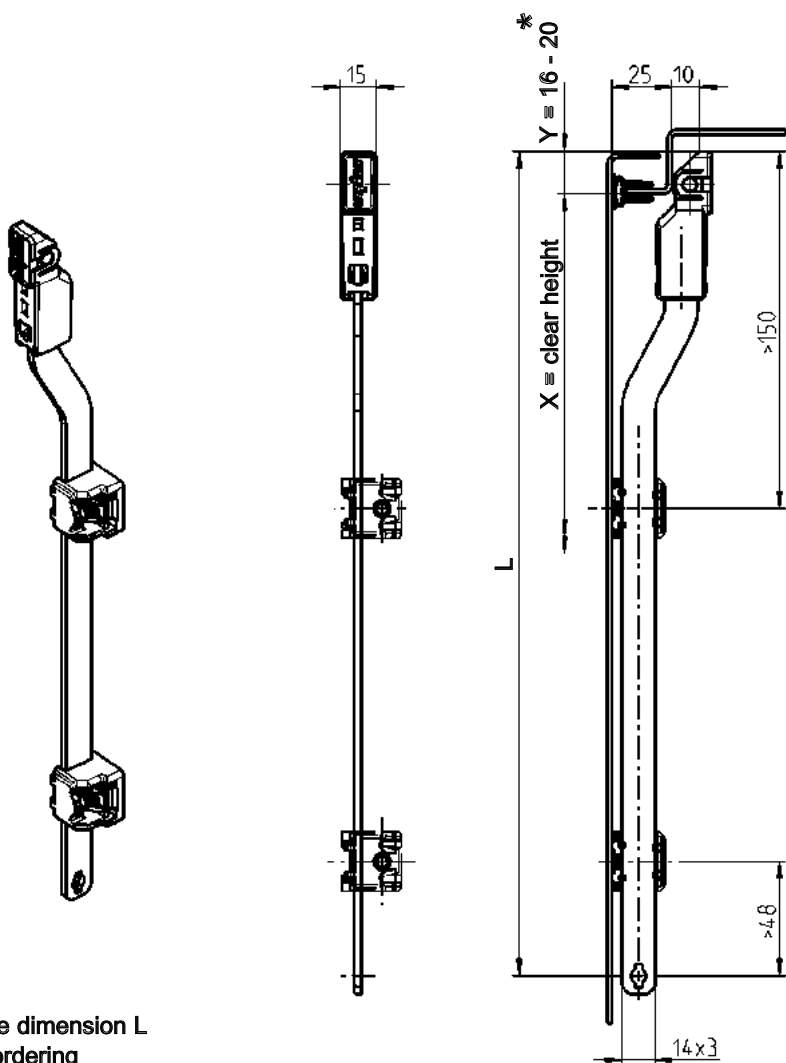
Calculation of rod length L

$$L = \frac{X - Z}{2} + Y$$

Application: program 1125, 1150, 1160, 1180, 1225, 1325, 2100, 3000

- rod control

3D-120; 3D-140; 3E-140; 3J-120; 3YA-110, 3YA-115, 3YA-120; 3YA-160, 3YA-180; 3YA-220; 3YA-420; 3YA-480, 3YA-520; 3YA-540

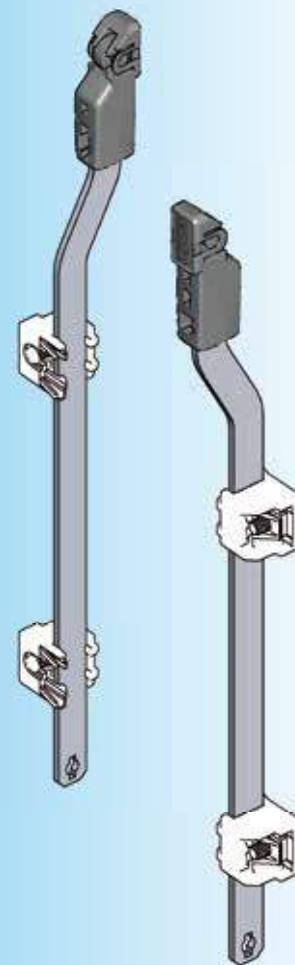


Indicate dimension L when ordering

Z = rod control length (e.g. Dimension 347 on page 3YA-120)



* Dimension Y depending on type of gasketing



Connection rod with shoe pre-assembled

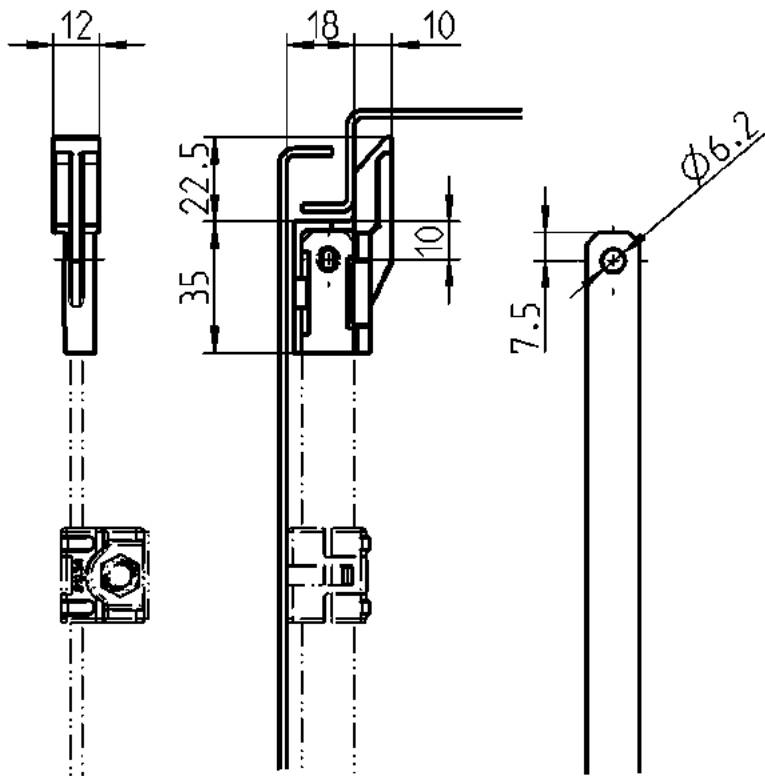
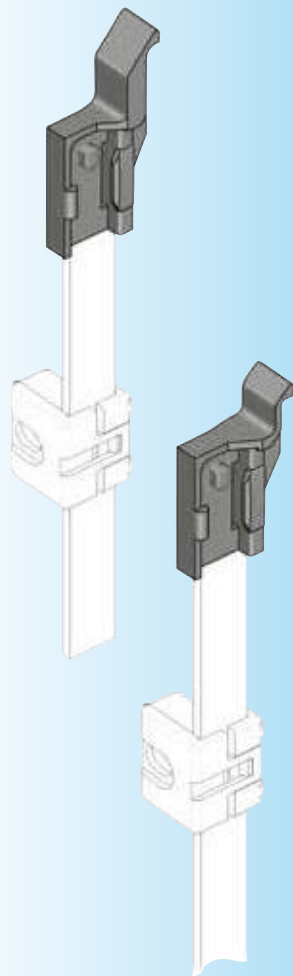
	m.s. zinc plated	AISI 304
	1121-U187-L mm	on request
	(1121-U187-01 to -08 see price list)	

Connection rod without bore holes with shoe pre-assembled flat rod without bore holes material as requested, shoe polyamide GF black, roller polyamide black

	m.s. zinc plated	AISI 304
L + 7.5 = 1007.5	1121-U189	on request

Further parts see page
- Rod guide

3ZC-120
to 3ZC-170



Shoe polyamide black

long version

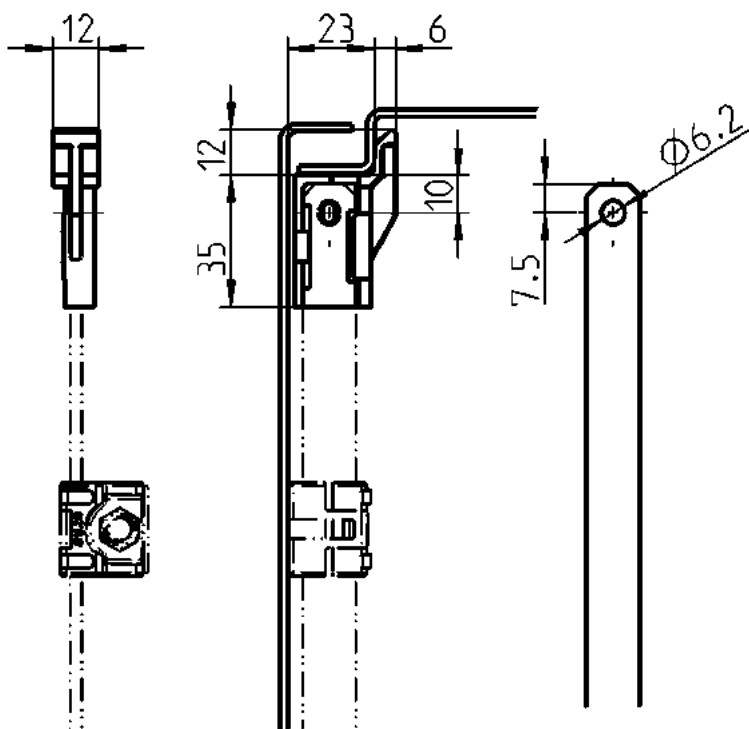
1121-112

Further parts see page

- Rod guide for flat rods 3ZC-120 up to 3ZC-170
- Rod on request

Program 1125, 1150, 1160, 1180, 1225, 1325, 2100, 3000

- Rod control 3D-120
- 3D-140
- 3E-120
- 3E-140
- 3YA-110
- 3YA-115
- 3YA-120
- 3YA-160
- 3YA-180
- 3YA-220
- 3YA-420
- 3YA-480
- 3YA-520
- 3YA-540



Shoe polyamide black

short version

1121-113

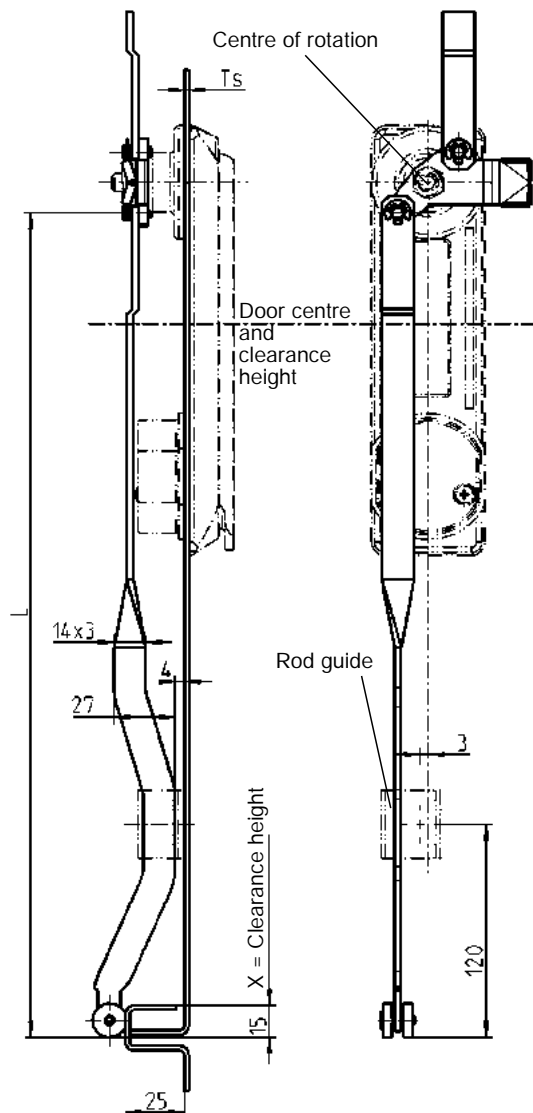
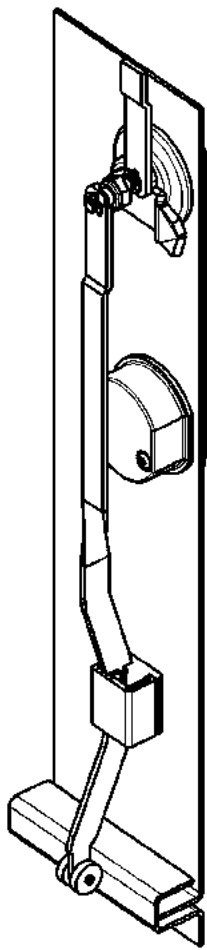
Rod for cam stroke 26 mm

PROGRAM 1107, 1317

Minimum order quantity: 200 pieces

Lower quantities on request

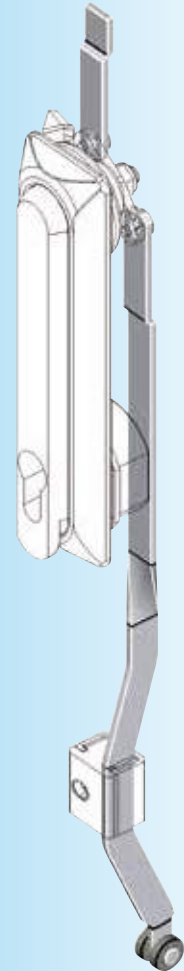
How to find dim. L		Swinghandle	
		long	short
Upper rod	$L = \frac{X}{2}$	- 63	- 50,5
Lower rod	$L = \frac{X}{2}$	+ 67	+ 54,5
Centre of rotation on door centre, upper and lower rods are the same length	$L = \frac{X}{2} + 2$		



Ts = 2
other door gauges on request

Flat rod m.s. zinc pl. with rollers polyamide black

1121-U144-L mm
(1121-U144-01 to -08
see price list)



Note:
Swinghandle with cut-out
Hole distance
130 mm = long
105 mm = short

Further parts see page
– Rod guide 3ZC-120
up to 3ZC-170

Program 1107, 1317
– Cam with stroke 26 3YC-120

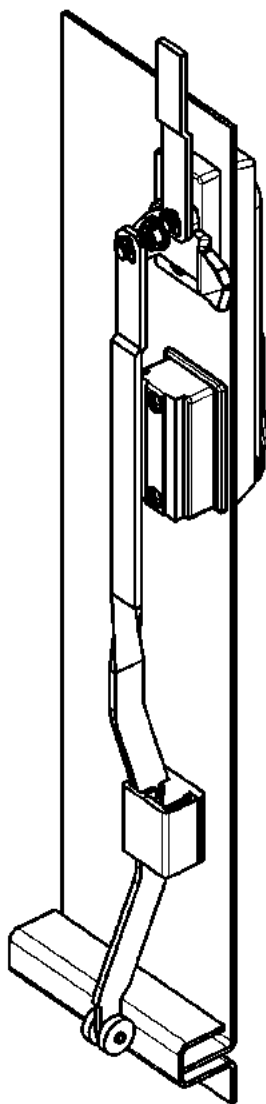
Minimum quantity: 200 pcs.
Smaller quantities on request

Calculation of rod length L

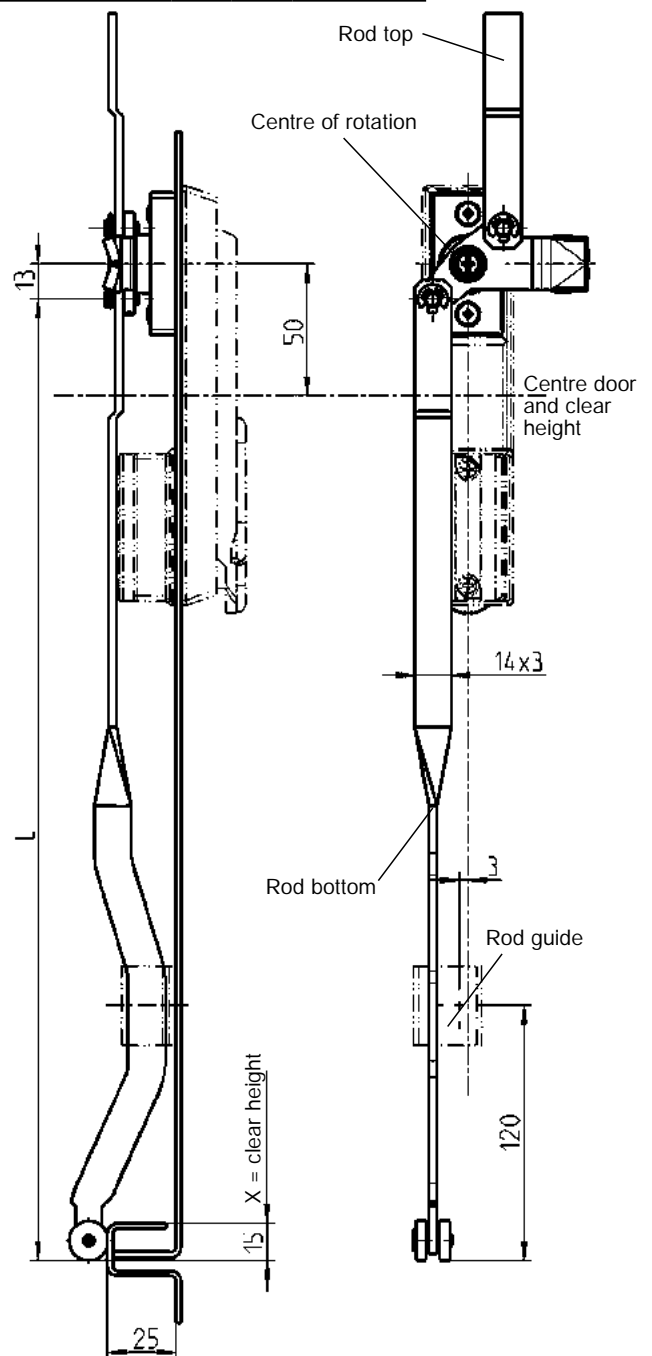
$$\text{Connection rod top} \quad L = \frac{X}{2} - 48$$

$$\text{Connection rod bottom} \quad L = \frac{X}{2} + 52$$

$$\text{Centre of rotation door centre top and bottom same rod length} \quad L = \frac{X}{2} + 2$$



Ts = 2
other door thicknesses
on request



Further parts see page

- Rod guide 3ZC-120 to 3ZC-170

Program 1125, 1225, 1325, 3000

- Cam with stroke 26 3YB-420

Flat rod m.s. zinc plated ramp rollers polyamide black

1121-U144-L mm

(1121-U144-01 bis -08
see price list)

Connection rod for cam with stroke 26 mm

PROGRAM 1125

Minimum quantity: 200 pcs.
Smaller quantities on request

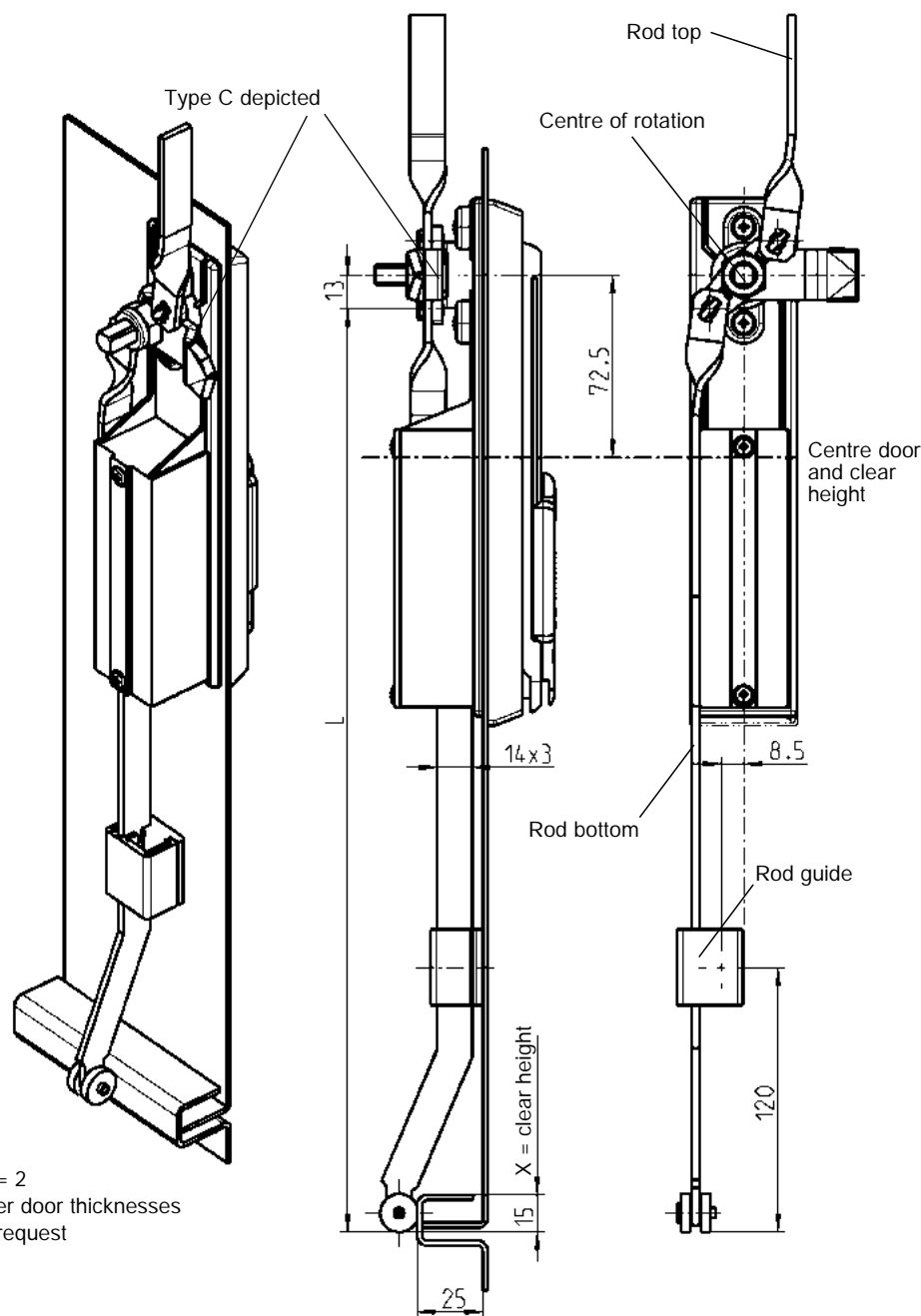
Calculation of rod length L

Connection rod top	$L = \frac{X}{2} - 70,5$
--------------------	--------------------------

Connection rod bottom	$L = \frac{X}{2} + 74,5$
-----------------------	--------------------------

Centre of rotation door centre top and bottom same rod length	$L = \frac{X}{2} + 2$
---	-----------------------

Beschlagteile



Ts = 2
other door thicknesses
on request

Flat rod m.s. zinc plated, ramp rollers polyamide black

left	1121-U146-L mm	(1121-U146-01 to -08)
right (depicted)	1121-U147-L mm	(1121-U147-01 bis -08)
		see price list

Further parts see page

– Rod guide 3ZC-120 to 3ZC-170

Program 1125

– Cam with stroke 26 3YC-120 3YC-140

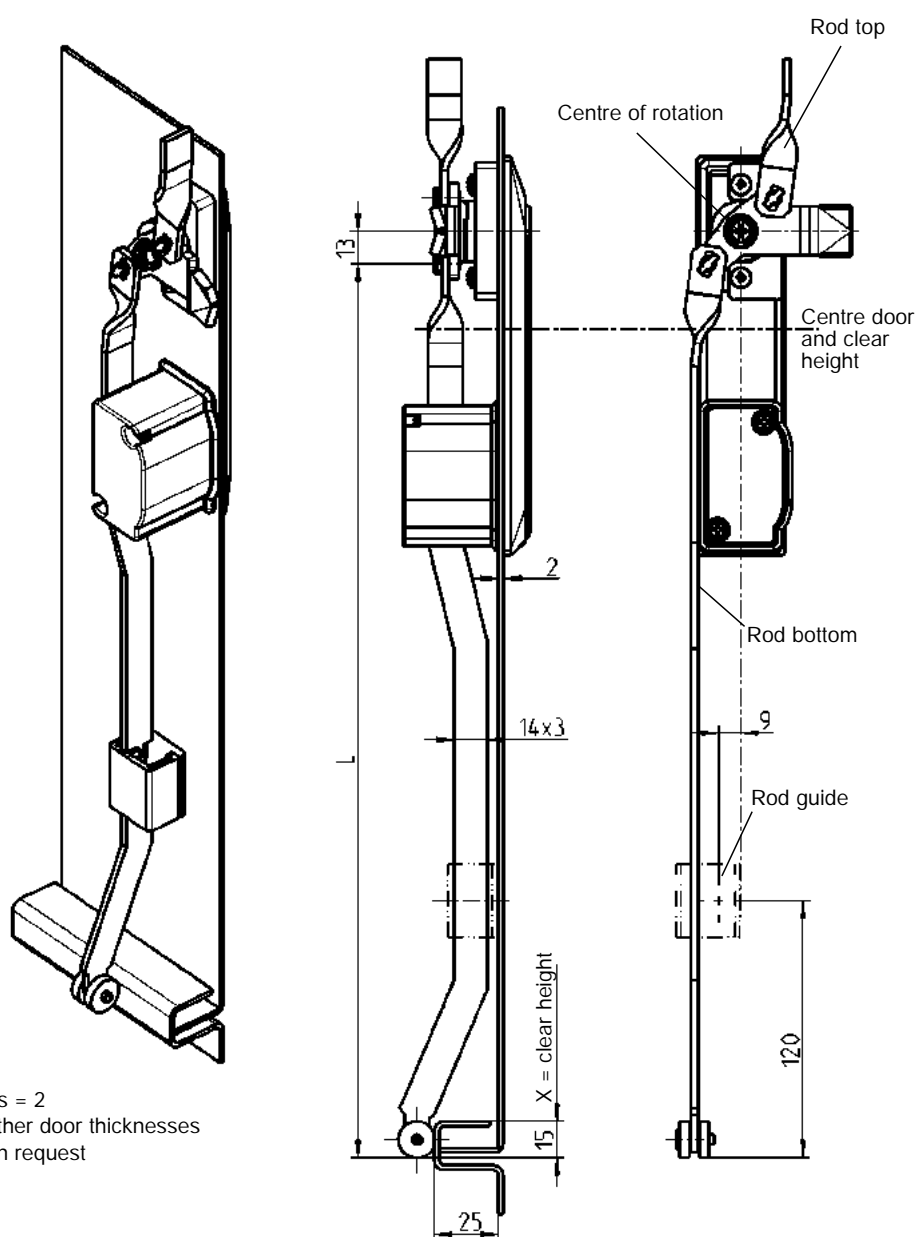
Connection rod for cam with stroke 26 mm

PROGRAM 1150

Minimum quantity: 200 pcs.
Smaller quantities on request

Swing handle
see note

Calculation of rod length L:	Version	A	B	C
Connection rod top	$L = \frac{X}{2}$	- 48	- 54	- 70,5
Connection rod bottom	$L = \frac{X}{2}$	+ 52	+ 58	+ 74,5
Centre of Rotation door centre top and bottom same rod length	$L = \frac{X}{2} + 2$			

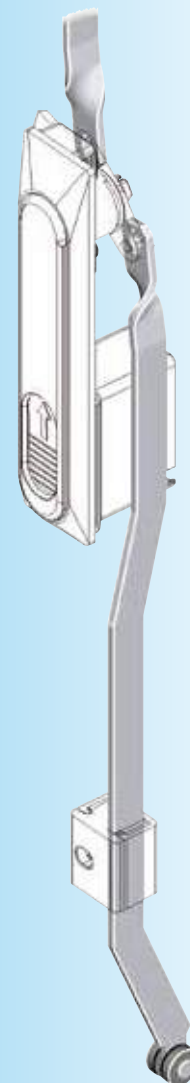


Ts = 2
other door thicknesses
on request

Flat rod m.s. zinc plated, ramp rollers polyamide black

left	1121-U146-L mm	(1121-U146-01 to -08)
right (depicted)	1121-U147-L mm	(1121-U147-01 to -08)
		see price list

Beschlagteile



Note:

Calculation of the connection rod type A or B suitable for
 - Swing handle 1154 3C-220 = A
 - Swing handle 1153 3C-320 = A
 - Swing handle 1154 3C-260 = B
 - Swing handle 1154 3C-280 = C
 - Swing handle 1151 3C-420 = C

Further parts see page

- Rod control 3ZC-120 to 3ZC-170

Program 1150

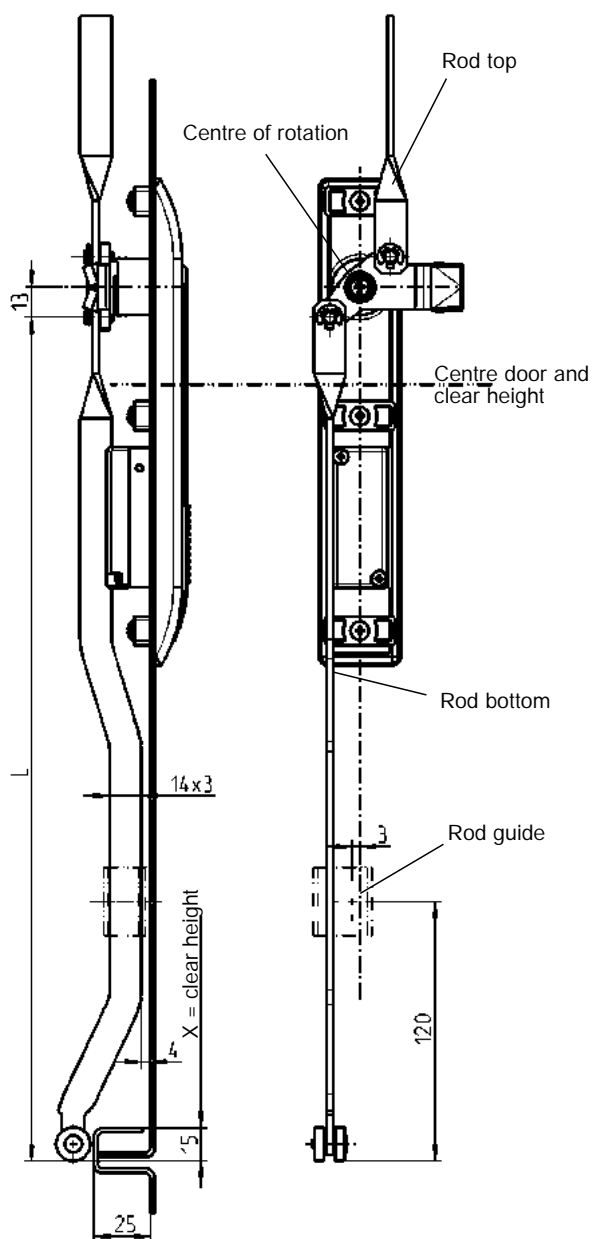
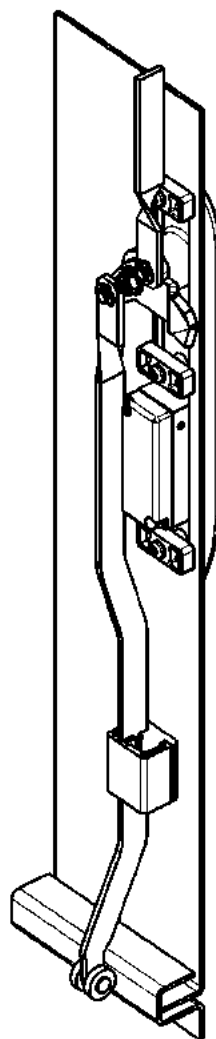
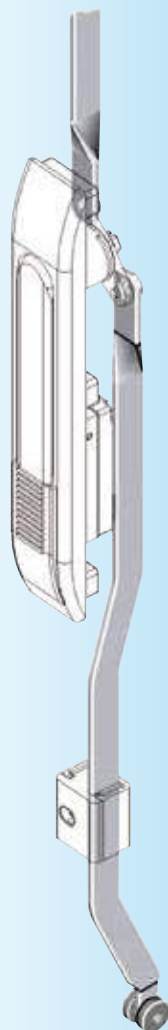
- Cam with stroke 26 3YC-120 3YC-140

Minimum quantity: 200 pcs.
Smaller quantities on request

Swing handle
see note

Calculation of rod length L:

Version	A	B
Connection rod top	$L = \frac{X}{2} - 55$	- 70,5
Connection rod bottom	$L = \frac{X}{2} + 59$	+ 74,5
Centre of rotation door centre top and bottom same rod length	$L = \frac{X}{2} + 2$	



Ts = 2
other door thicknesses
on request

Note:
Calculation of connection rod version A or B suitable for
- Swing handle 1180 3E-320 = A
- Swing handle 1185 3E-520 = B

Further parts see page
- Rod control 3ZC-120 to 3ZC-170

Program 1180
- Cam with stroke 26 3YC-120 to 3YC-140

Flat rod m.s. zinc plated, ramp rollers polyamide black

1121-U145-L mm
(1121-U145-01 to -08
see price list)

Connection rod for cam with stroke 26 mm

PROGRAM 1225

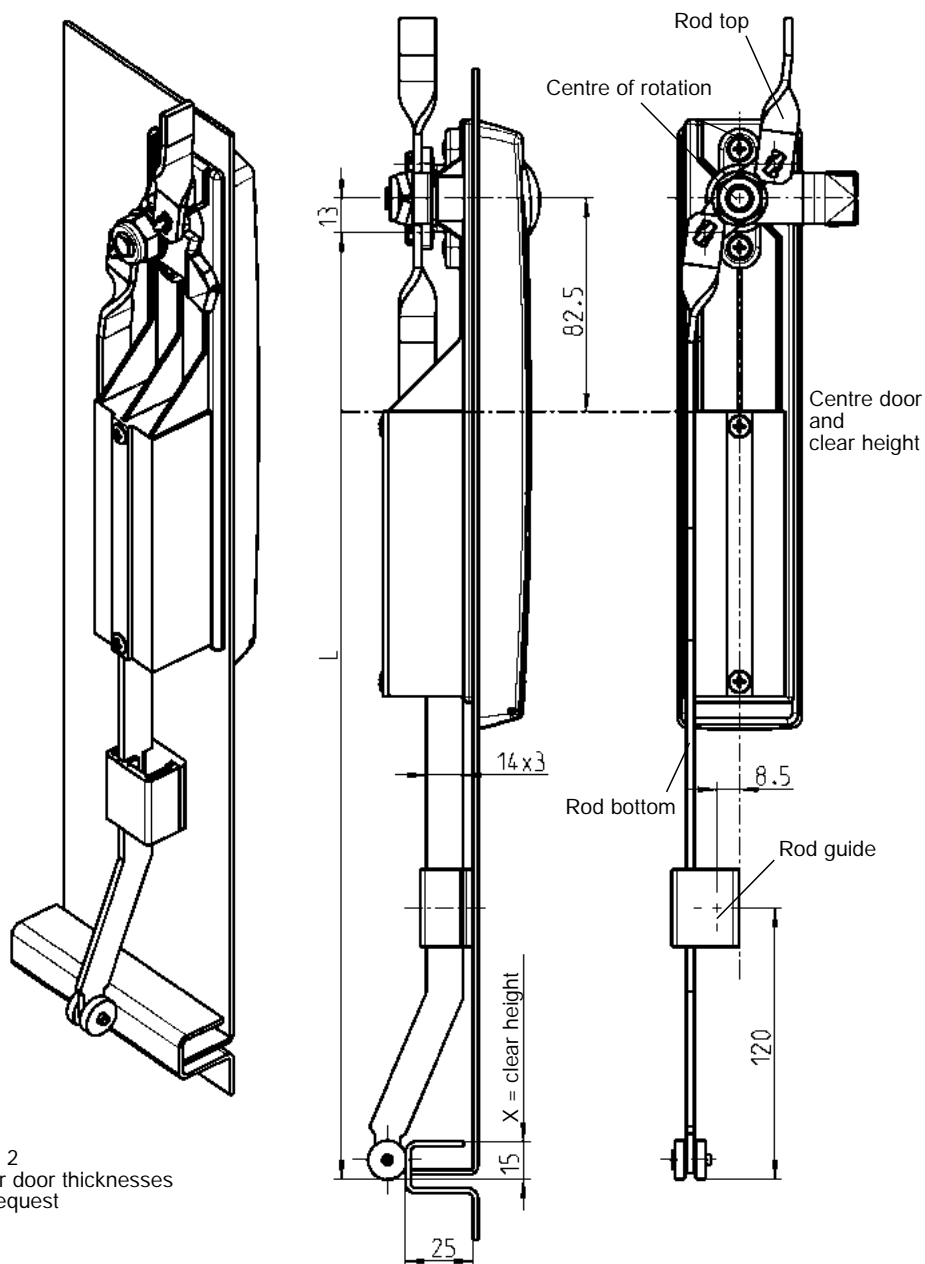
Minimum quantity: 200 pcs.
Smaller quantities on request

Calculation of rod length L

$$\text{Connection rod top} \quad L = \frac{X}{2} - 80,5$$

$$\text{Connection rod bottom} \quad L = \frac{X}{2} + 84,5$$

$$\text{Centre of rotation door centre} \\ \text{top and bottom same rod length} \quad L = \frac{X}{2} + 2$$

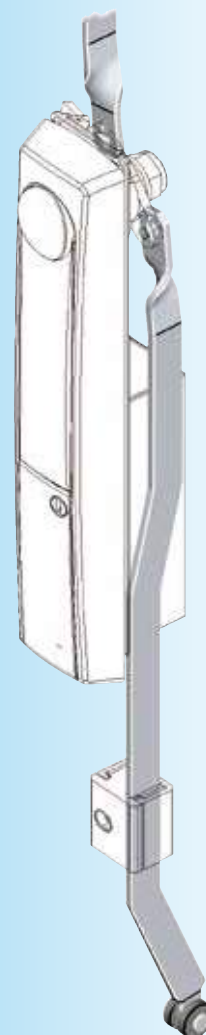


Ts = 2
other door thicknesses
on request

Flat rod m.s. zinc plated, ramp rollers polyamide black

left	1121-U146-L mm	(1121-U146-01 to -08)
right (depicted)	1121-U147-L mm	(1121-U147-01 to -08)
		see price list

Beschlagteile



Further parts see page

– Rod control 3ZC-120
to 3ZC-170

Program 1225

– Cam with stroke 26 3YC-140

Rods for cams with stroke 26 mm PROGRAM 2100

Minimum order quantity: 200 pieces

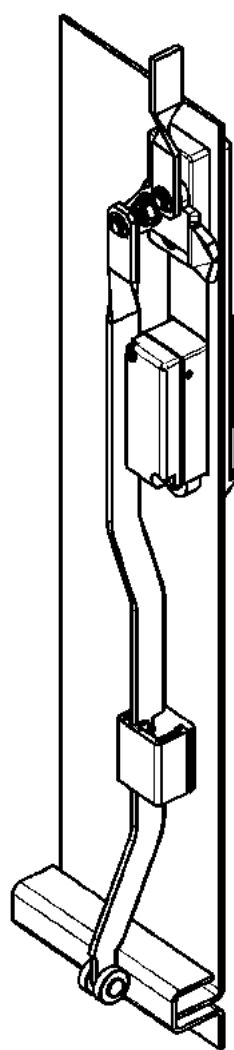
Lower quantities on request

How to find dim. L

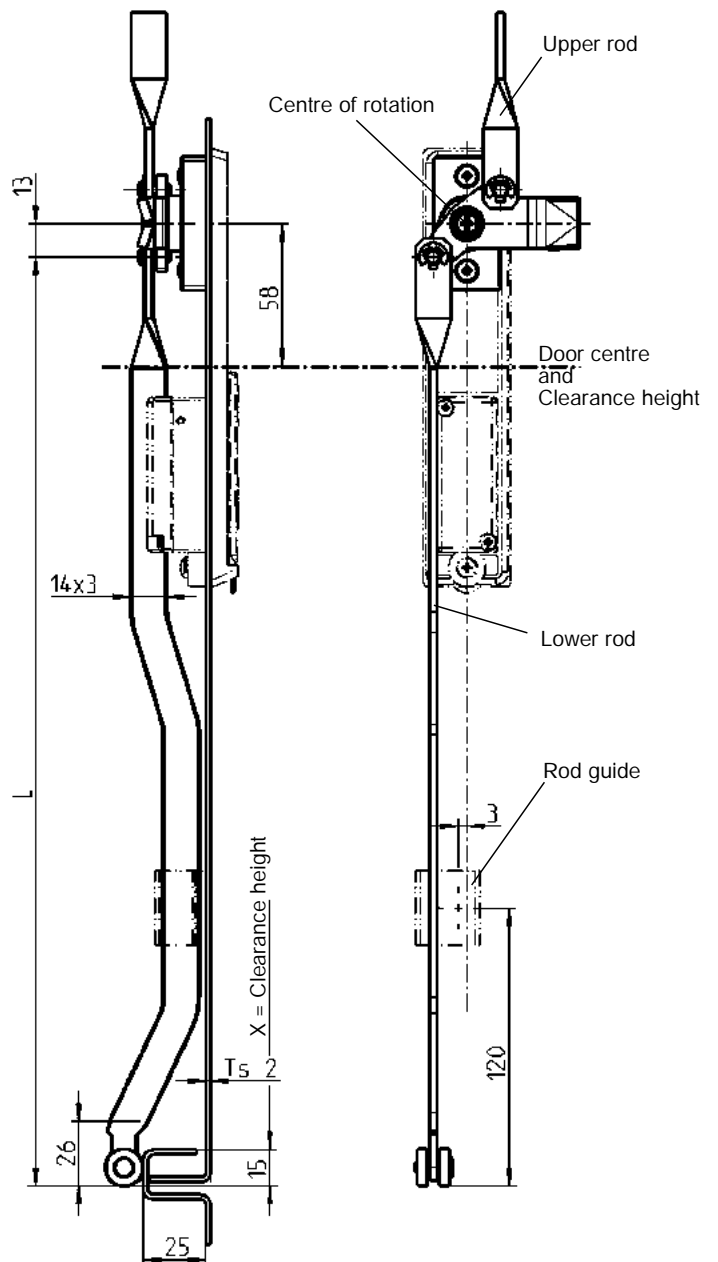
Upper rod	$L = \frac{X}{2} - 56$
-----------	------------------------

Lower rod	$L = \frac{X}{2} + 60$
-----------	------------------------

Centre of rotation on door centre, upper and lower rods are the same length	$L = \frac{X}{2} + 2$
---	-----------------------



Ts = 2
Other door gauges on request



Further parts see page

- Rod guide 3ZC-120
up to 3ZC-170

Program 2100

- Cam with stroke 26 3YB-420

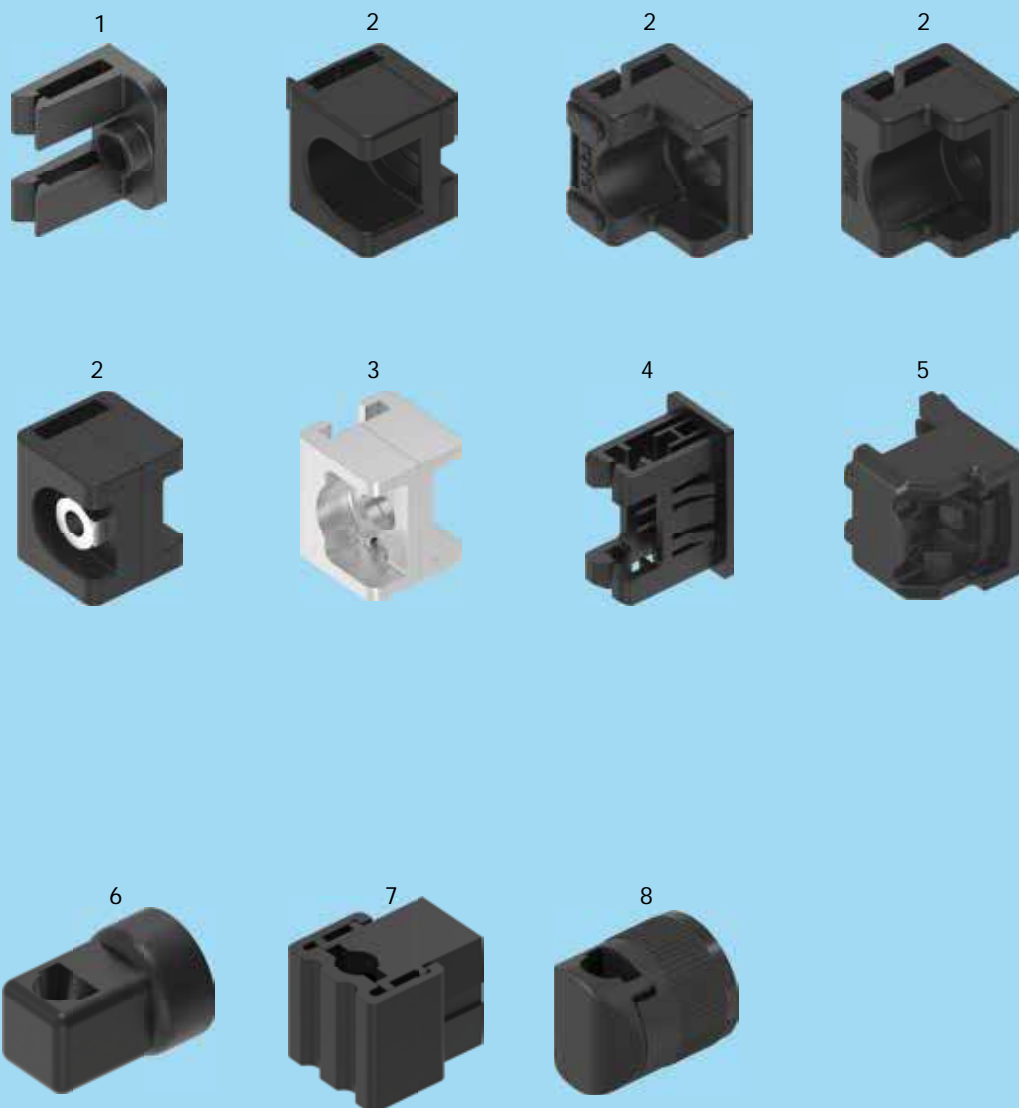
Flat rod m.s. zinc pl. with rollers polyamide black

1121-U145-L mm

(1121-U145-01 to -08
see price list)

Rod guide

Program 1107, 1125, 1150, 1160, 1180,
1190, 1225, 1317, 1325, 2100, 2400, 3000



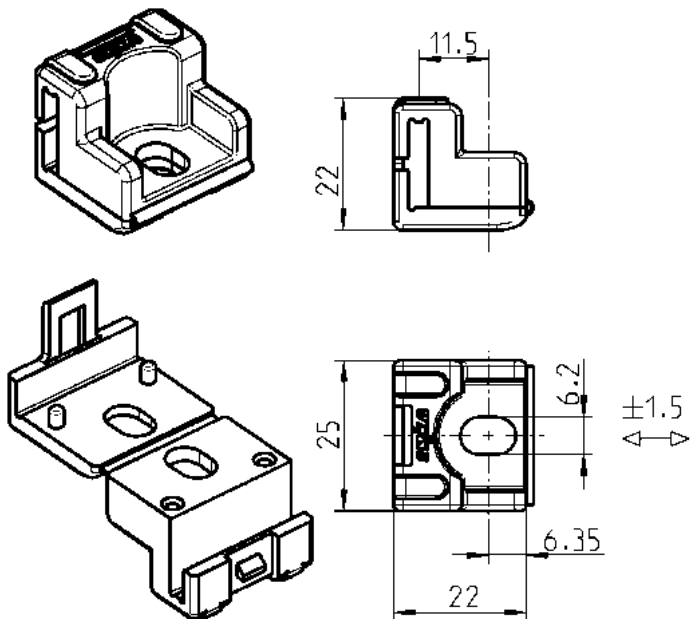
- 1 for flat rod 3 x 14, flat rod will clip in
- 2 for flat rod 3 x 14, rod guide can be pre-assembled on rod
- 3 for flat rod 3 x 14, rod guide stainless steel
- 4 for flat rod 3 x 14, rod guide and flat rod will clip in
- 5 for flat rod 3 x 14, rod guide clipped on and flat rod clipped in
- 6 for round rod \varnothing 8
- 7 for round rod \varnothing 8, bottom part of rod guide is pre-assembled
- 8 for round rod \varnothing 8, rod guide is slipped on and tightened



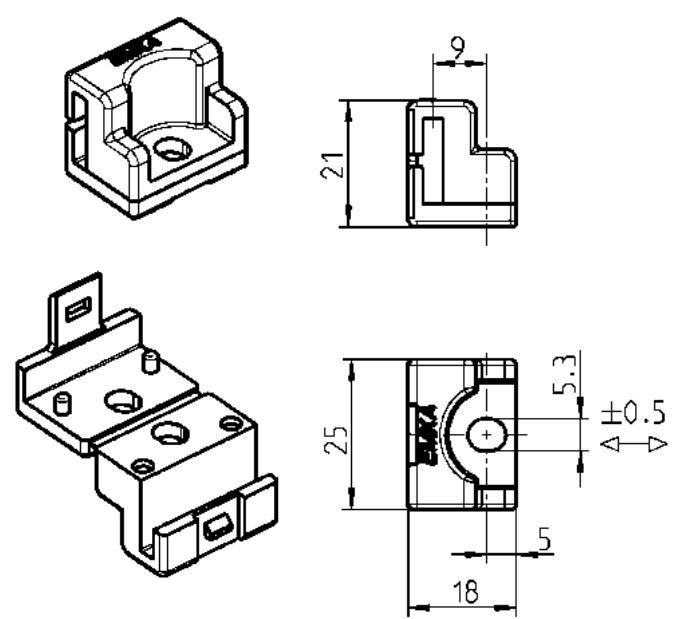
3ZC-100

Rod guide for flat rod 3x14

PROGRAM 1107 - 3000



Rod guide can be pre-assembled on rod!



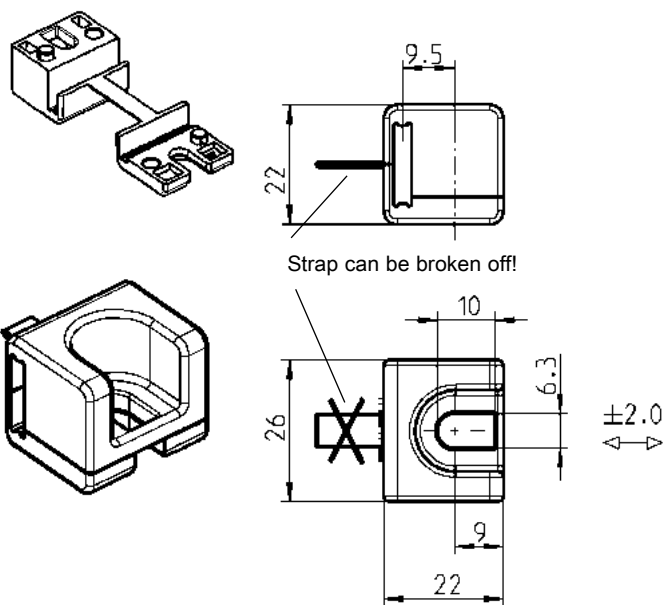
Rod guide can be pre-assembled on rod!

Rod guide polyamide black for weld stud M6x12

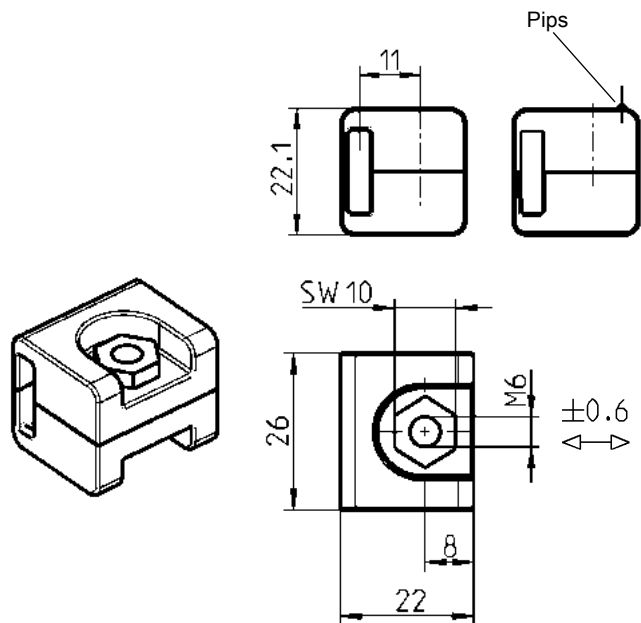
1121-109

Rod guide polyamide black for weld stud M5x12

1121-106



Rod guide can be pre-assembled on rod!



Pips avoid "door rattling"

Rod guide can be pre-assembled on rod!

Rod guide polyamide black for weld stud M6x16 or M6x20

1121-19-N

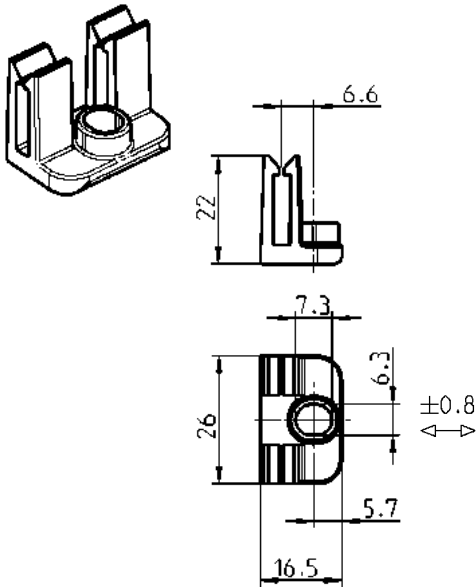
Rod guide polyamide black, safety nut m.s. zinc plated for weld studs or countersunk screw M6x16 or M6x20

without pips

1121-U71-N

with pips

1121-U74-N

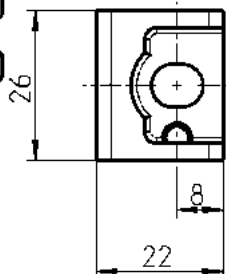
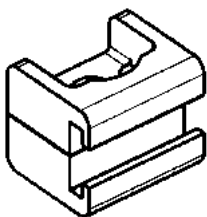
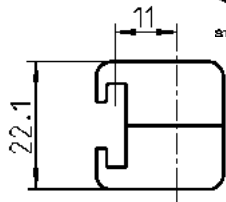


Flat rod will clip in!

For narrow bending area!

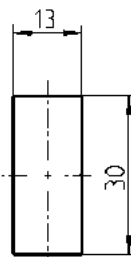
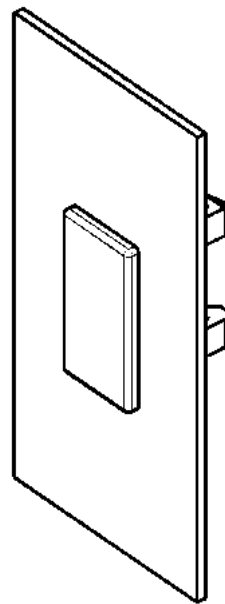
Rod guide polyamide black for rivet nut Ø 6x8-M4 and oval head screw DIN 7045 M4x6

1121-89-11

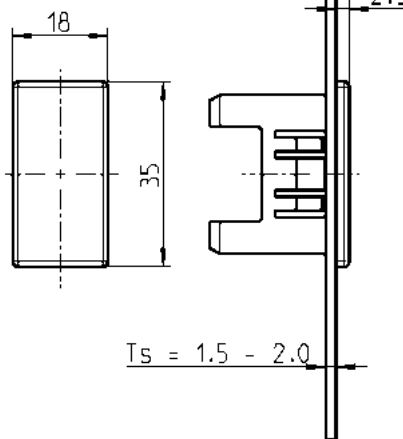


Rod guide AISI 316 for weld stud or countersunk screw M6x20

1121-U71-PH



Cut out



$T_s = 1.5 - 2.0$

Flat rod will clip in!

Rod guide polyamide black

2300-04



Further parts see page

Program 1107; 1317

– Rods 3ZB-320

Program 1125; 1225; 1325

– Rods 3ZA-120

up to 3ZA-340

3ZB-120

up to 3ZB-220

3ZB-420

3ZB-440

3ZB-720

(only for 1125)
(only for 1225)

Program 1150

– Rods 3ZA-120

up to 3ZA-340

3ZB-120

up to 3ZB-220

3ZB-520

3ZB-540

Program 1160

– Rods 3ZA-120

up to 3ZA-420

3ZB-120

up to 3ZB-220

Program 1180

– Rods 3ZA-120

up to 3ZA-340

3ZA-520

3ZB-120

up to 3ZB-220

3ZB-620

Program 1190

– Rods 3ZA-120

to 3ZA-340

Program 2100

– Rods 3ZA-120

to 3ZA-340

3ZB-120

to 3ZB-220

3ZB-820

Program 2400

– Rods 3ZA-820

Program 3000

– Rods 3ZA-120

to 3ZA-340

3ZB-120

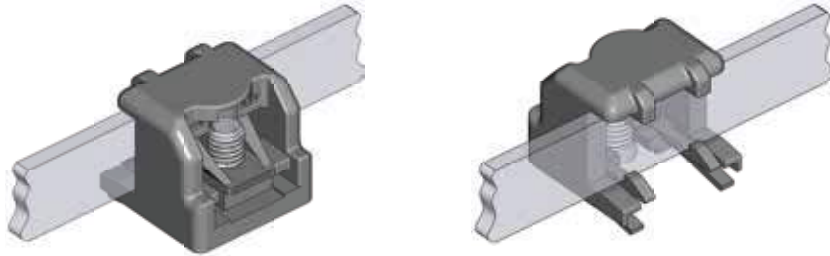
to 3ZB-220

Rod guide clip in for flat rod 3x14

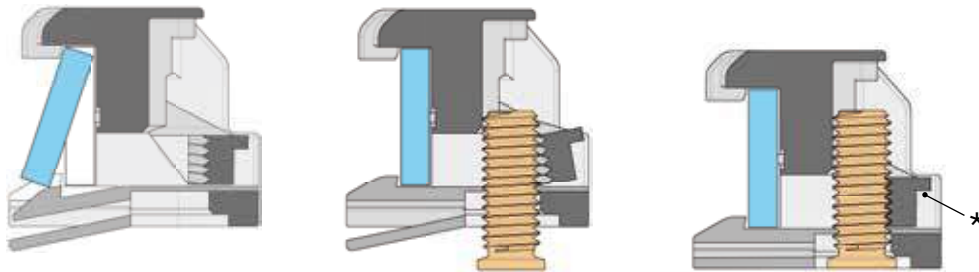
PROGRAM 1107 - 3000

Stripping force: $F_{max.} = 650 \text{ N}$
 Application force: Typical value $F = \text{very low}$

These values refer to threads with fat-free surface.



Flat rod and weld stud depicted transparent

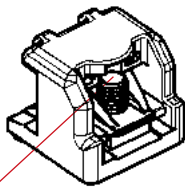


1. Assembly of flat rod into the rod guide

2. Assembly of rod guide of weld stud

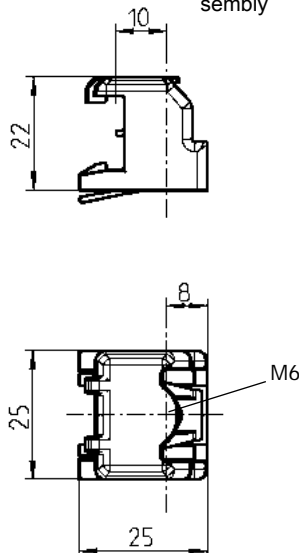
3. Rod guide fully assembled

* Strap has to be lifted for disassembly



+ ADVANTAGE

The rod guide can also be clipped in in case of powder coated weld studs and still provides a high stripping force!



Rod guide clip-in type polyamide black for weld stud M6x16 or M6x20

1121-135

Beschlagteile



Further parts see page

Programm 1107; 1317

– Connection rods 3ZB-320

Program 1125; 1225; 1325

– Connection rods 3ZA-120 to 3ZA-340
 3ZB-120 to 3ZB-220
 3ZB-420
 3ZB-440
 3ZB-720
 (only for 1125)
 (only for 1225)

Program 1150

– Connection rods 3ZA-120 to 3ZA-340
 3ZB-120 to 3ZB-220
 3ZB-520
 3ZB-540

Program 1160

– Connection rods 3ZA-120 to 3ZA-420
 3ZB-120 to 3ZB-220

Program 1180

– Connection rods 3ZA-120 to 3ZA-340
 3ZA-520
 3ZB-120 to 3ZB-220
 3ZB-620

Program 1190

– Connection rods 3ZA-120 to 3ZA-340

Program 2100

– Connection rods 3ZA-120 to 3ZA-340
 3ZB-120 to 3ZB-220
 3ZB-820

Program 2400

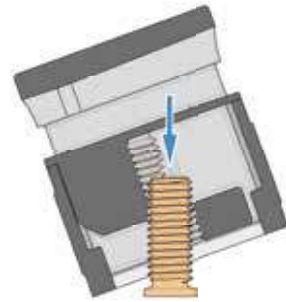
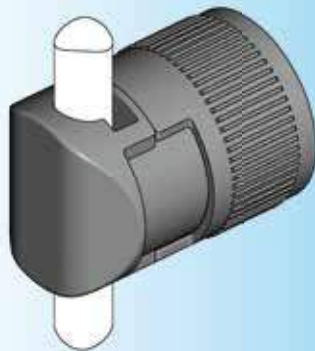
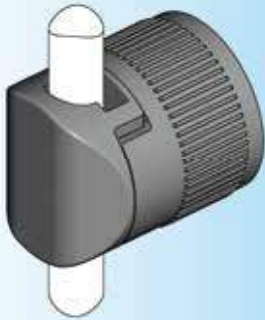
– Connection rods 3ZA-820

Program 3000

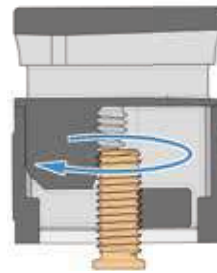
– Connection rods 3ZA-120 to 3ZA-340
 3ZB-120 to 3ZB-220



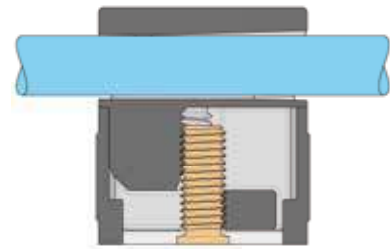
Info
1 Quarter turns
2 Rod controls
3 Locking systems



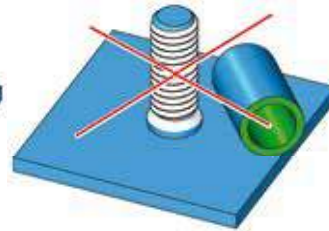
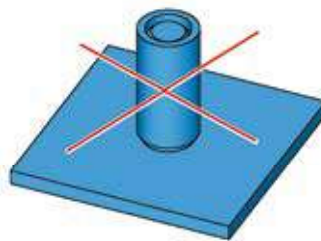
1. Place the rod guide on weld stud.
(Hereby the time-consuming screwing is reduced considerably.)



2. Set the rod guide upright. This makes it snap in place noticeably and audibly; and it can then be secured by only a few rotations.



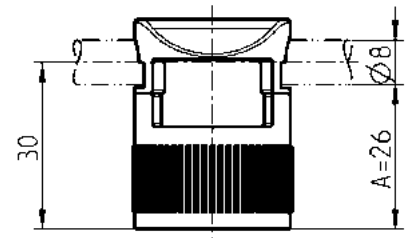
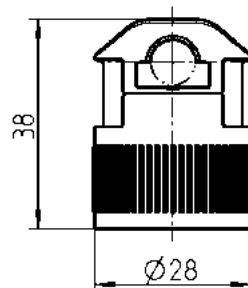
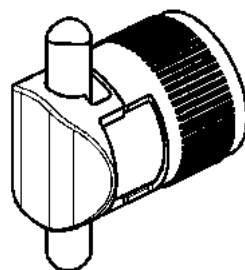
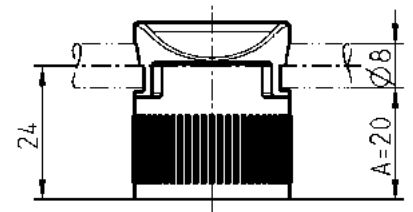
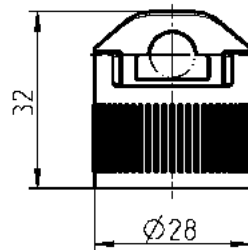
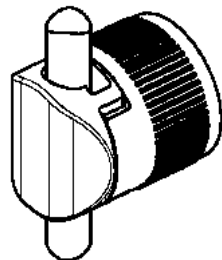
3. Rod guide is completely mounted.



+ ADVANTAGE

This rod guide is suitable for raw and powder coated weld studs. The covering of the weld stud before powdering can be omitted, this results in process optimization and cost saving.

Note:
Rod guide suitable for dimensions
of A=20 and A=26



Further parts see page

Program 1107, 1125, 1150,
1180, 1225, 1325, 2100, 3000
– Connection rods 3ZB-120
3ZB-180

Rod guide polyamide GF black

A for weld stud

20 M6x16

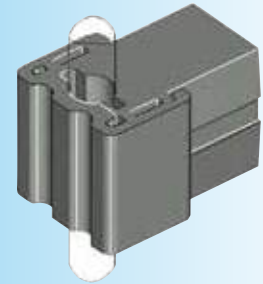
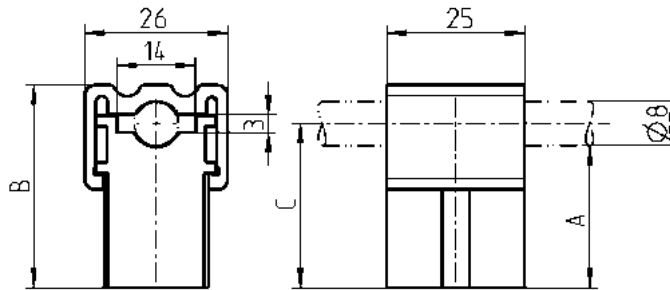
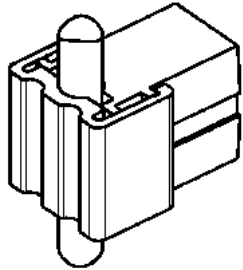
26 M6x20

1001-U47

Rod guide for round rods 8 mm

PROGRAM 1107 - 3000

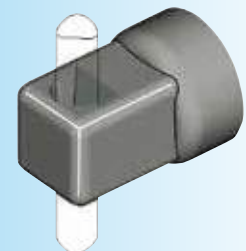
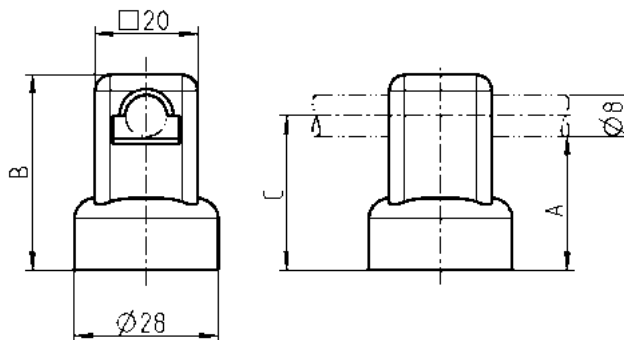
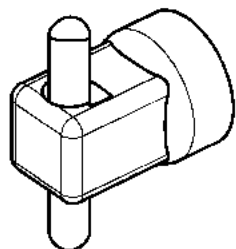
Beschlagteile



Note:
Rod guide can also be used
for horizontal flatrods 3x14

Rod guide polyamide black

A	B	C	for weld stud	
20	31	24	M6x12-20	1001-U40
26	37	30	M6x12-20	1001-U41



Rod guide polyamide black with flush countersunk cap nut m.s. zinc plated

A	B	C	for weld stud	
20	32	24	M6x16	1001-U11
26	38	30	M6x20	1001-U12

Further parts see page

Program 1107, 1125, 1150,
1180, 1225, 1325, 2100, 3000
– Connection rods 3ZB-120
3ZB-180

Info
1 Quarter turns
2 Rod controls
3 Locking systems

Hinges for prominent doors (chapter 4A)

	4A-120	4A-121	4A-130	4A-133	4A-135	4A-136	4A-137	4A-138	4A-139	4A-140	4A-145	4A-150	4A-160	4A-170	4A-190	4A-210	4A-215
								●	●			●		●		●	●
	●	●	●	●	●	●	●			●	●	●	●		●		●
						●	●									●	
	●	●	●	●	●									●	●		●
	●	●	●	●	●	●	●	●	●	●	●	●	●	●	●	●	●
								●	●			●		●	●	●	●
								●	●			●		●	●	●	●
								●	●			●		●	●	●	●
	120°	135°/180°	120°	120°	120°/135°	125°	115°/135°	180°	180°	180°	180°	180°	180°	180°	120°	180°	180°
		●			●			●		●	●	●	●				
										●							
								●	●	●		●		●	●	●	●
	●	●	●		●	●										●	
	●		●	●		●	●			●	●	●	●			●	
	●	●	●	●	●	●	●									●	
	●	●	●	●	●	●	●	●	●	●	●	●	●	●	●	●	●
								●	●	●	●	●	●			●	●
	20	20/22	22/26	26	22/25	25	24/26	20	25	16/25	25	20	20	25	25	26	25

Hinges for flush doors and aluminium profiles (chapter 4B)

	4B-120	4B-130	4B-140	4B-160	4B-170	4B-190	4B-200	4B-205	4B-207	4B-210	4B-212	4B-213	4B-215	4B-220	4B-230	4B-240	4B-243
				●	●	●	●	●	●	●	●	●	●	●	●	●	●
	●	●	●														
	●	●	●								●	●				●	●
	●	●	●	●	●	●	●	●	●	●	●	●	●	●	●	●	●
	●	●	●	●	●	●	●	●	●	●	●	●	●	●	●	●	●
	●	●	●			●	●	●	●	●	●	●	●	●	●	●	●
	90°	90°	180°	180°	180°	180°	180°/270°	180°	180°	180°	180°	180°	180°	180°	180°	180°	160°
						●	●		●							●	
						●	●	●		●	●	●	●		●	●	●
	●	●	●	●	●					●	●	●		●			
	●	●		●		●	●	●		●	●	●		●			
	●	●	●		●										●		
				●	●	●	●	●	●	●	●	●	●	●	●	●	●
						●		●								●	

Pin hinges (chapter 4C)

4C-120	4C-130																
	●																
●																	
●																	
●																	
●																	
	●																

x = variable Note: Hinges should be greased prior to use

4A-220	4A-250	4A-260	4A-280	4A-285	4A-290	4A-295	4A-300	4A-310	4A-450	4A-460	4A-480
●	●	●	●	●	●	●	●	●	●	●	
			●								●
●				●	●	●	●				●
●	●	●	●	●	●	●	●	●	●	●	●
●						●			●	●	
●						●			●	●	
180°	180°	180°	130°/180°	180°	180°	180°	180°	180°	180°	180°	120°
		●									●
				●							
●			●	●		●		●	●	●	●
	●	●	●		●	●	●	●	●	●	
	●			●			●				
		●									
		●	●		●	●	●	●			
●	●	●	●	●	●	●		●	●	●	●
●											
20	x	x/12-14	x	x	x	x/18-23.5	x	x	20/25	10/25	25

Beschlagteile

Prominent hinge
Concealed hinge
Lift-off version
Restricted lift-off version
For single cabinets
For in-line cabinets with single door
For in-line cabinets with double door
Opening angle
Door cut out
Polyamide
Material Zinc die
Mild steel
Stainless steel
For pressure-resistant door
Weld-on hinge
Screw-on hinge
Clamping hinge
Door return

1 Quarter turns

2 Rod controls

3 Locking systems

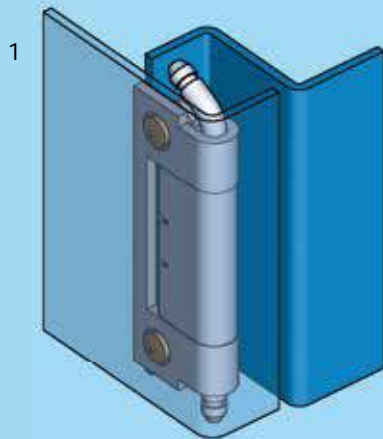
4 Hinges

4B-245	4B-248	4B-250	4B-255	4B-260	4B-280	4B-290	4B-300	4B-320			
●	●	●	●	●	●	●	●	●			
	2D	2D	3D	3D				●			
●	●	●	●	●	●	●	●	●			
●	●	●	●	●	●	●	●	●			
●											
180°	180°	180°	180°	180°	180°	180°	180°	180°			
●							●				
	●	●	●	●	●	●	●				
								●			
●	●	●	●	●	●	●	●	●			

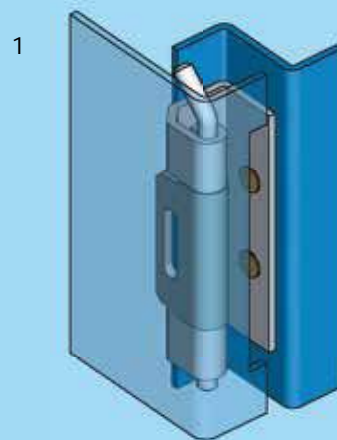
Prominent hinge
Concealed hinge
Lift-off version
Restricted lift-off version
Adjustable 2D/3D
For single cabinets
For in-line cabinets with single door
For in-line cabinets with double door
Opening angle
Door cut out
Polyamide
Zinc die
Mild steel
Stainless steel
For aluminium profiles
Weld-on hinge
Screw-on hinge
Clamping hinge

Polyamide
Mild steel
Stainless steel
Weld-on hinge
Screw-on hinge
Clip-in hinge

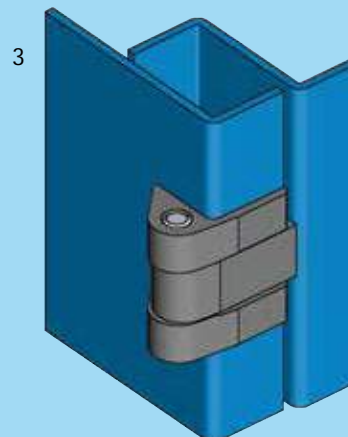
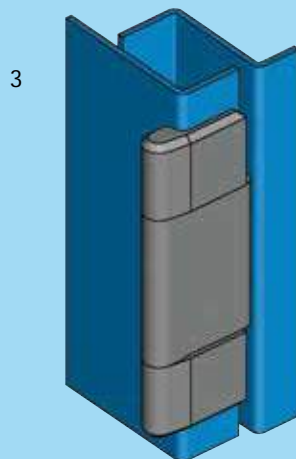
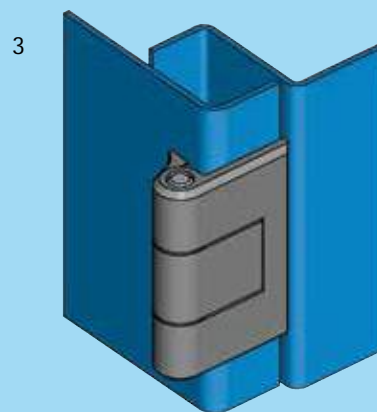
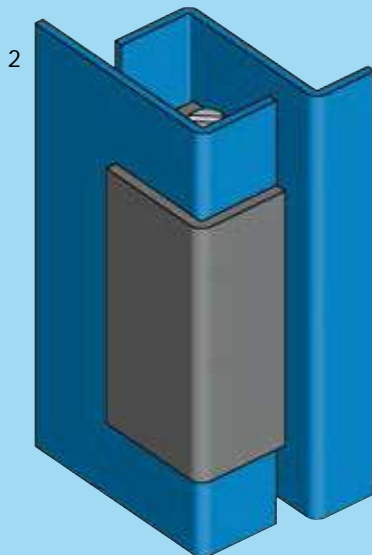
Hinge for prominent door

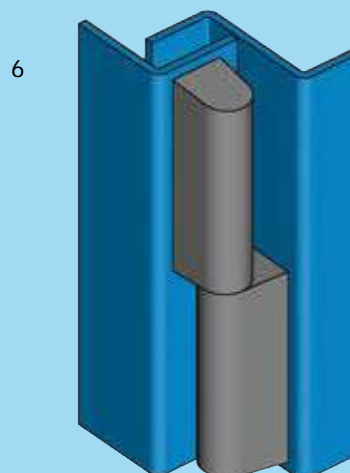
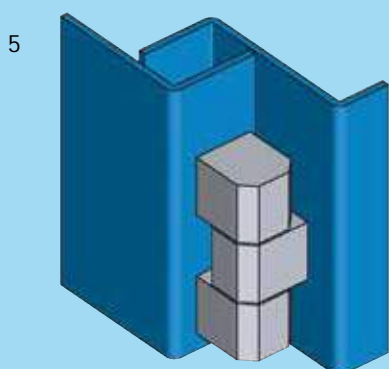
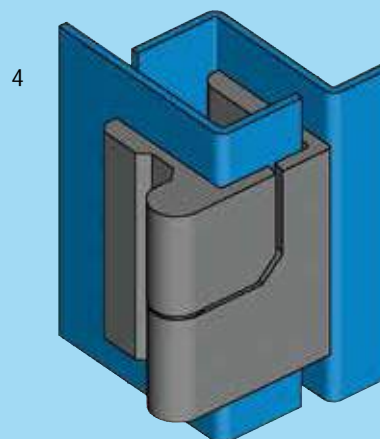
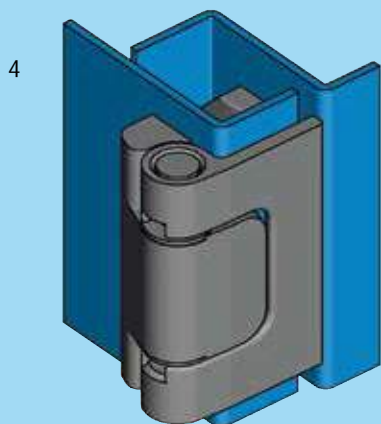


Door pictured transparent



Door pictured transparent





- 1 120° to 135° concealed hinge
- 2 120° concealed hinge and lift-off version
- 3 180° prominent hinge
- 4 180° prominent hinge and lift-off version
- 5 180° prominent hinge
- 6 180° prominent hinge and lift-off version

- 4A-120 up to 4A-135, 4A140
- 4A-150, 4A-190, 4A-280
- 4A-190
- 4A-138, 4A-150, 4A-160, 4A-450, 4A-460
- 4A-170, 4A-210 up to 4A-220
- 4A-250 up to 4A-280, 4A-310
- 4A-285 up to 4A-300



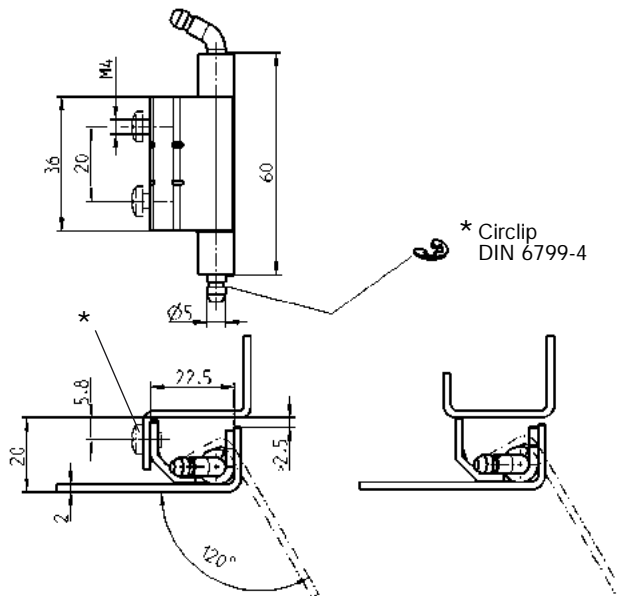
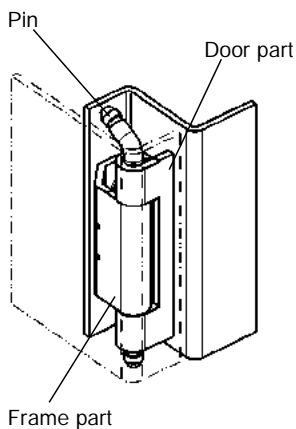
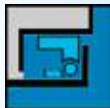
4A-100

120° hinge PROGRAM 1069

Beschlagteile



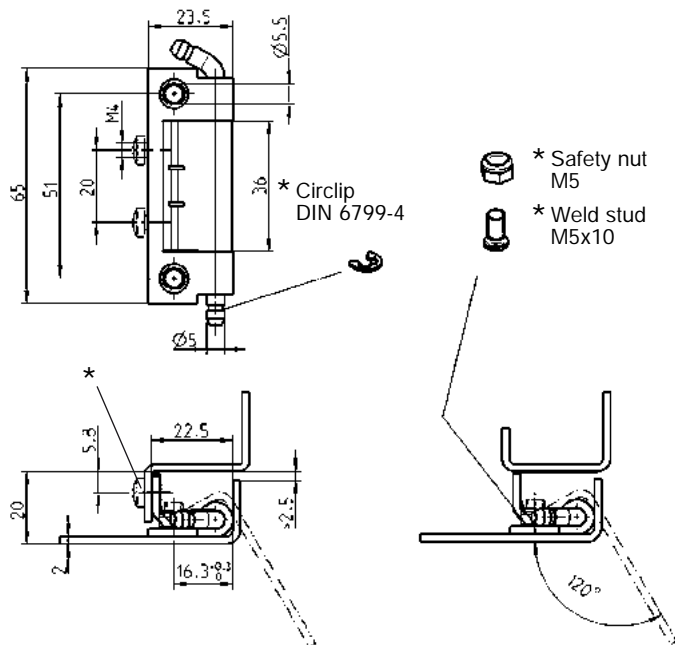
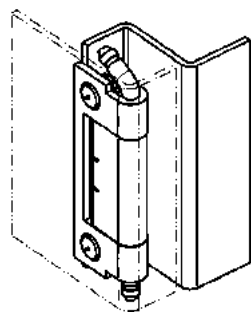
120° hinge
for 20 mm door return



Hinge m.s. zinc plated or stainless steel, door part m.s. raw or AISI 304

screw-on m.s.	1069-U1	weld-on m.s.	1069-U2
screw-on AISI 304	1069-U4	weld-on AISI 304	1069-U3

120° hinge for weld stud fastening
for 20 mm door return



* not included

Further parts see page
– Fixing material

12E-100

Hinge m.s. zinc plated; screw-on

Hinge m. s. zinc plated; weld-on

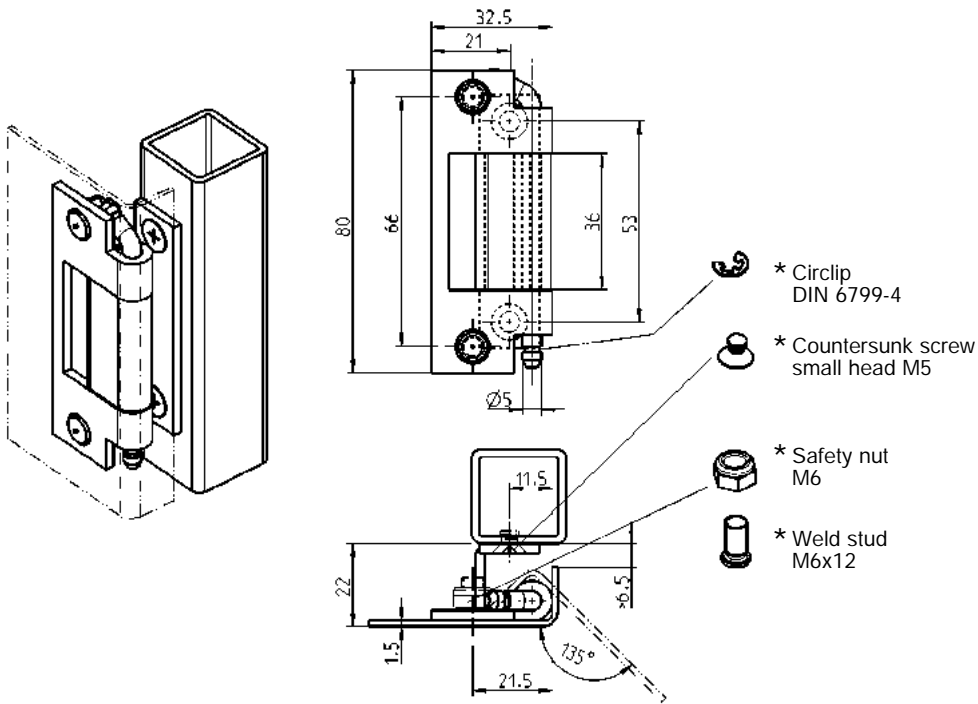
1069-U6

weld-on part m.s. raw

1069-U5

135° and 180° hinge PROGRAM 1032, 1110

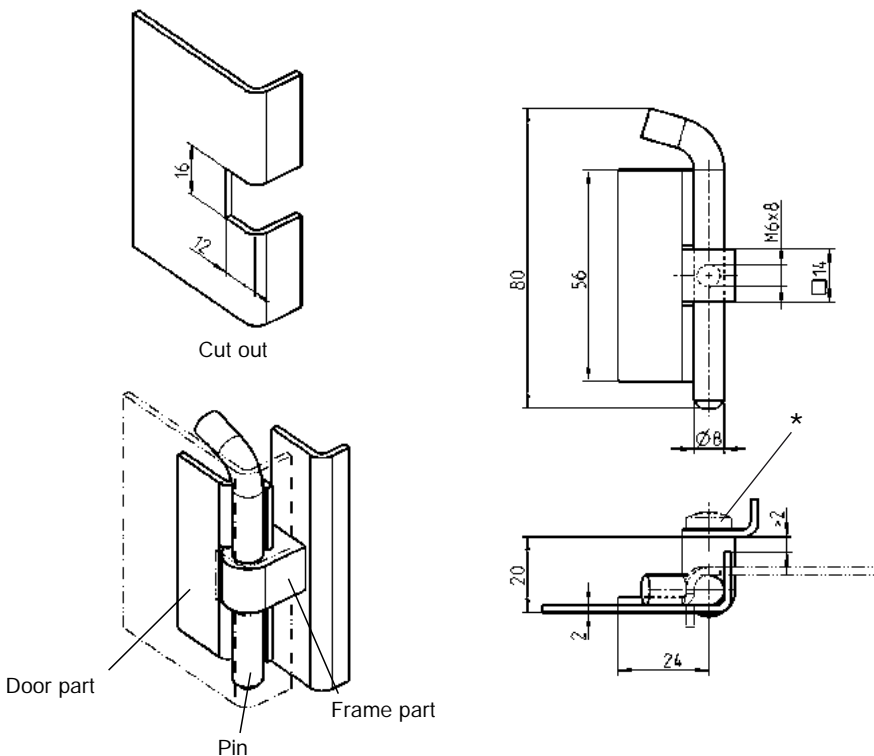
135° hinge for 22 mm door return



Hinge m.s. zinc plated

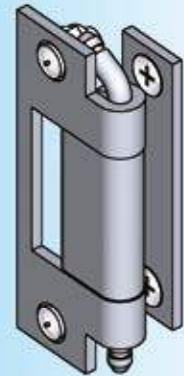
1032-U6

180° hinge for 20 mm door return

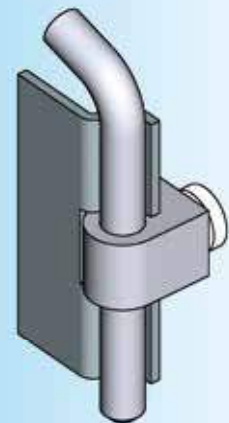


Hinge m.s. zinc plated; weld-on parts raw

1110-U1



small head = DIN ISO 2009, 2010, 7046-1, 7046-2, 7047



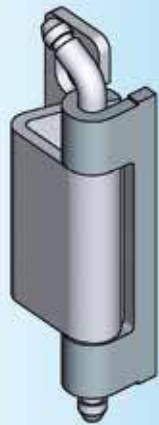
* not included

Further parts see page
– Fixing material

12E-100

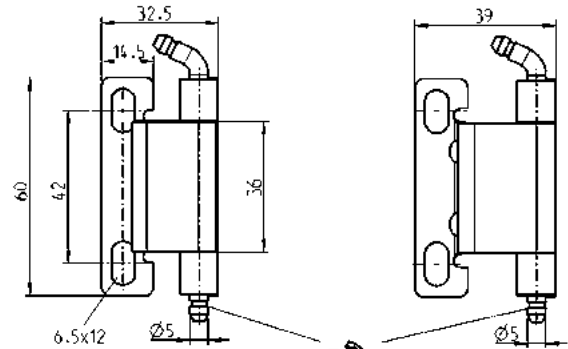
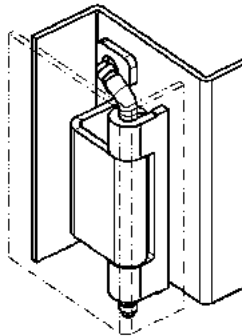
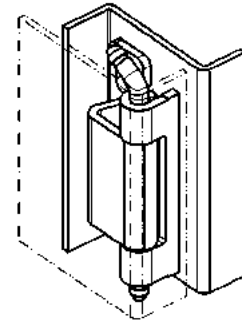
120° hinge PROGRAM 1032

Beschlagteile



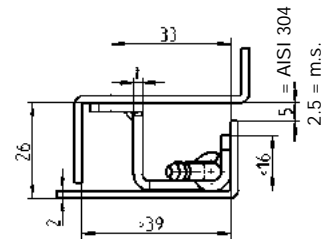
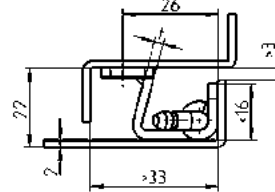
EDLSTAHL® Rostfrei 120° hinge for 22 or 12 mm door return

STAINLESS STEEL



* Circlip DIN 6799-4

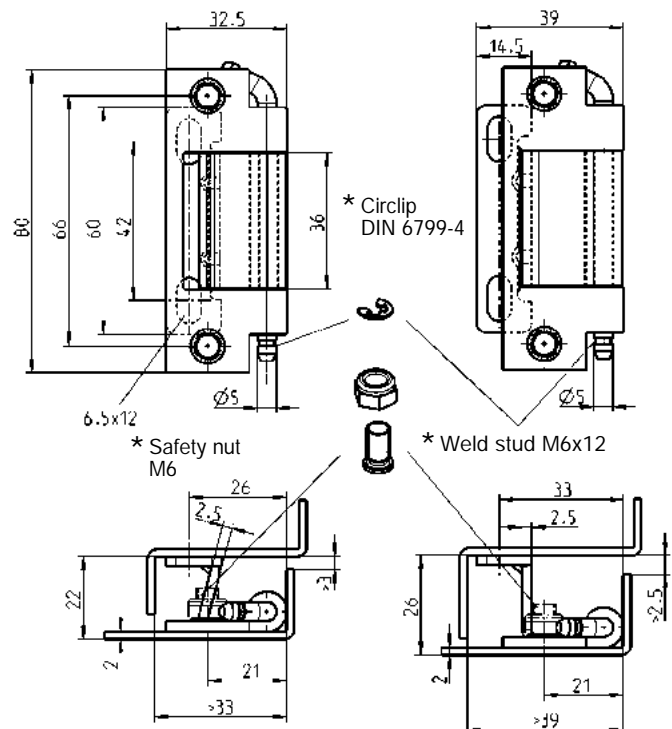
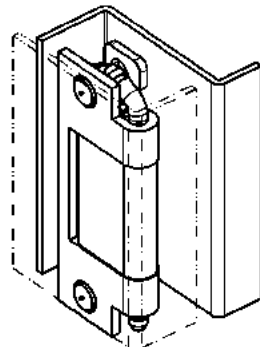
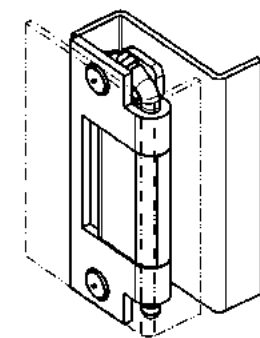
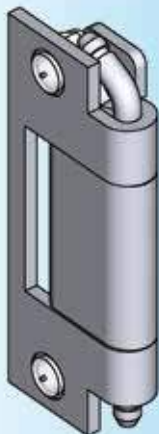
m.s. t = 2.50
Stainless steel t = 2.25



120° hinge m.s. zinc plated or stainless steel; door part m.s. raw or AISI 304

m.s. (Dim. 22)	1032-U1	m.s. (Dim. 26)	1031-U1
AISI (Dim. 22)	1032-U2	AISI (Dim. 26)	1031-U2

120° hinge for weld stud fastening
for 22 or 12 mm door return



* Circlip DIN 6799-4

* Safety nut M6

* Weld stud M6x12

* not included

Further parts see page
– Fixing material

12E-100

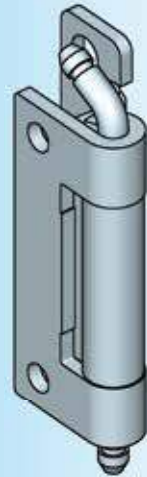
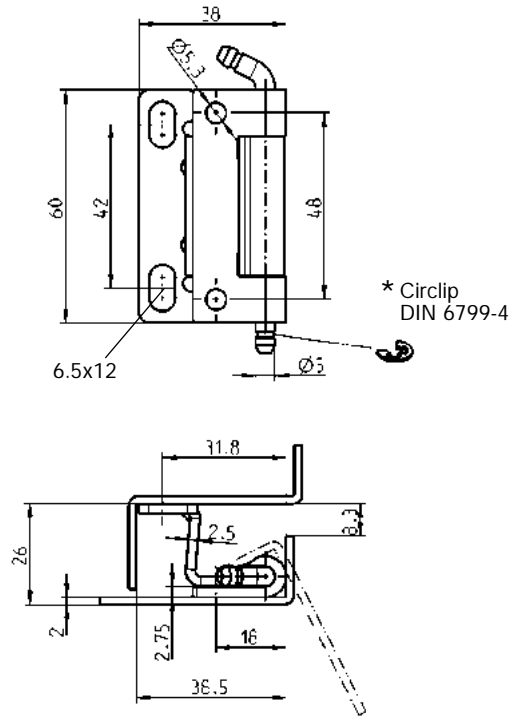
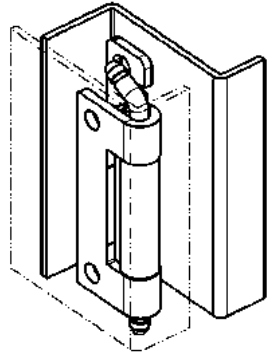
Hinge m.s. zinc plated

(Dim. 22)	1032-U5	(Dim. 26)	1031-U10
-----------	---------	-----------	----------

120° hinge 170° hinge with captive pin

PROGRAM 1031

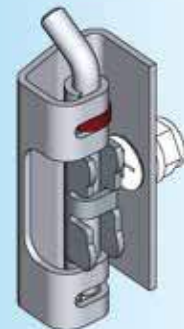
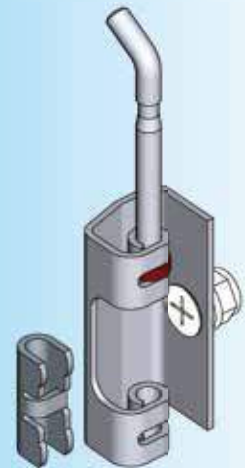
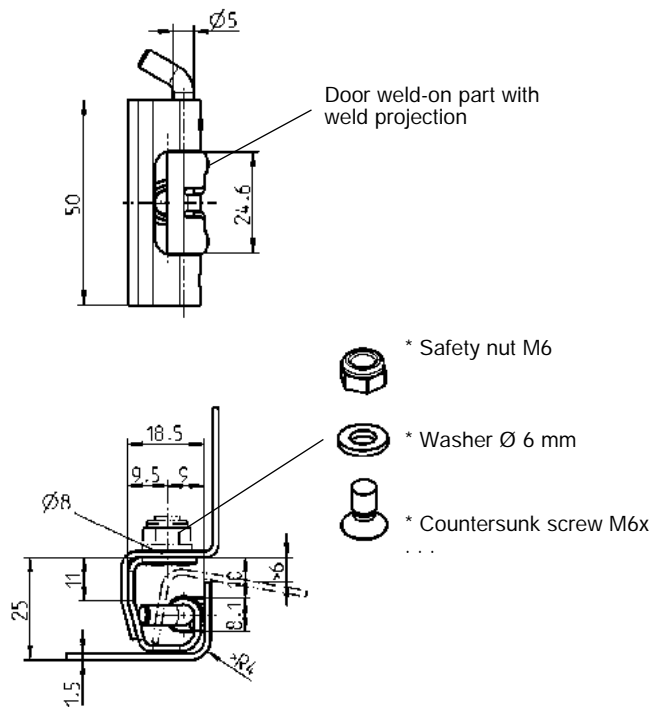
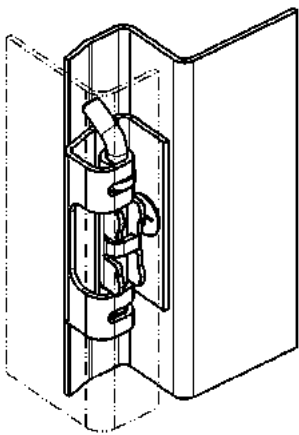
120° hinge for 26 mm door return



120° hinge AISI 304

1031-U17-PC

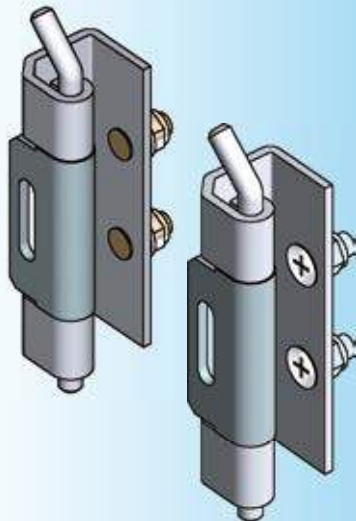
170° hinge for 25 mm door return



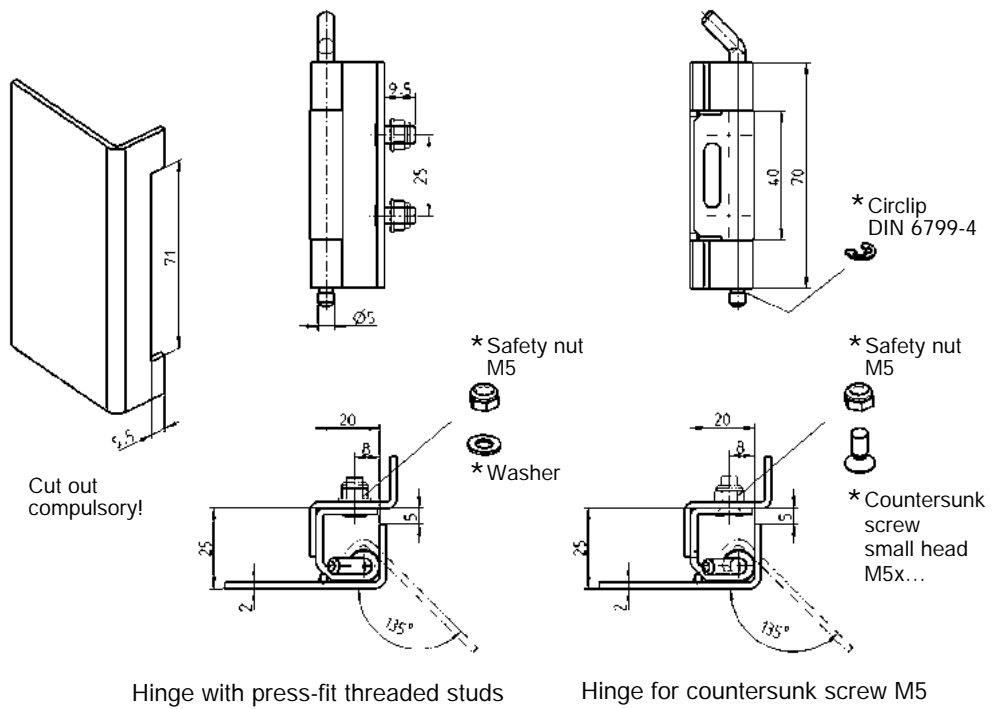
* not included

170° hinge m.s. zinc plated; door weld-on part m.s. raw; pin clamping ring POM red

1031-U16



135° hinge for 25x20 mm door return



135° hinge

Frame part m.s. zinc-plated; roll m.s. raw; pin m.s. zinc-plated; threaded studs m.s. zinc-plated

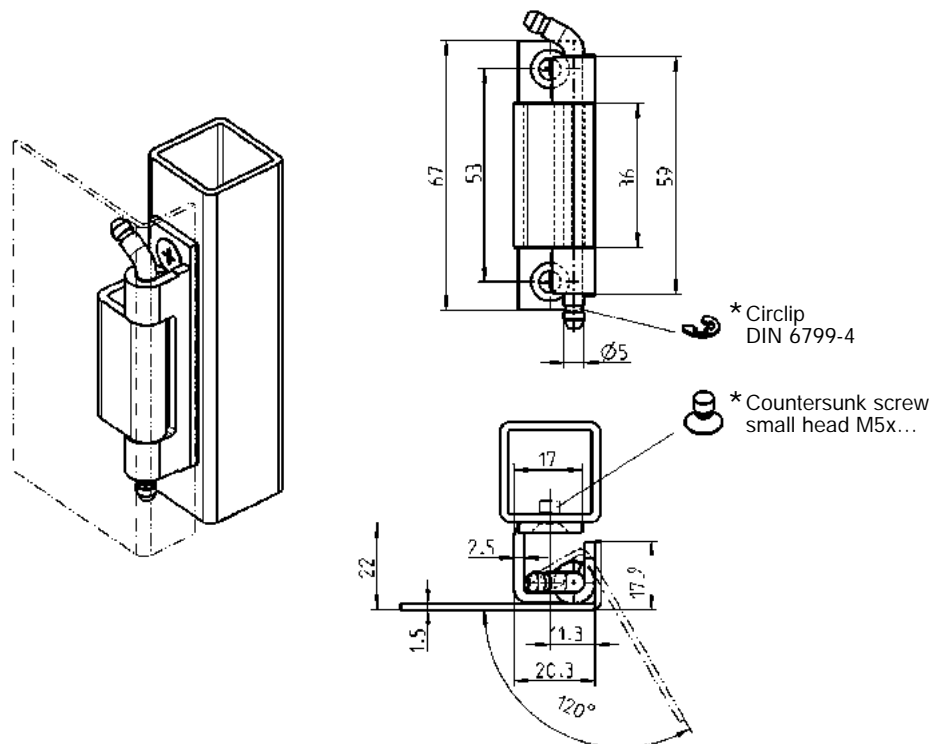
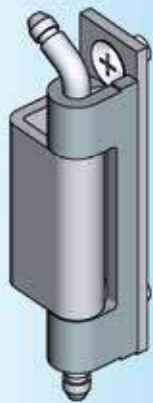
with press-fit threaded studs M5x12

1069-U7

for countersunk small head M5

1069-U8

120° hinge for 22 mm door return



* not included

small head = DIN ISO 2009, 2010, 7046-1, 7046-2, 7047

Further parts see page
– Fixing material

12E-100

120° hinge

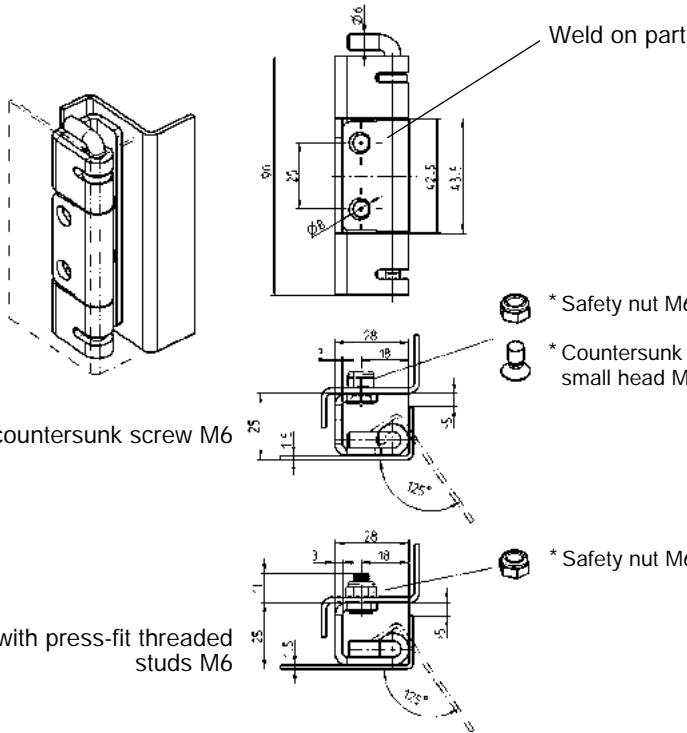
frame part m.s. zinc-plated; roll m.s. raw; pin m.s. zinc-plated

1031-U7

125° hinge with captive pin

PROGRAM 1031

125° hinge for single cabinets
for 25 mm door return



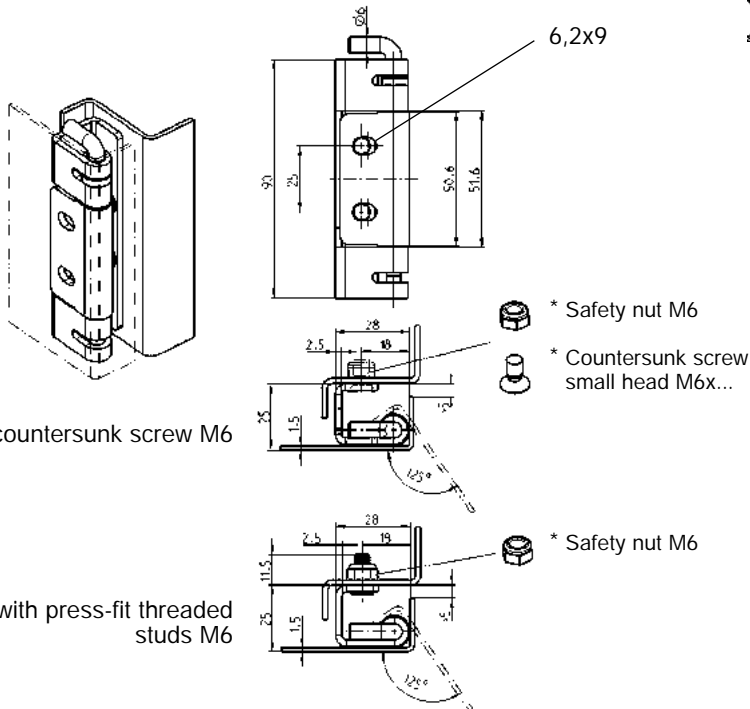
Hinge for countersunk screw M6

Hinge with press-fit threaded studs M6

Hinge frame part, pin and threaded studs m.s. zinc-plated; door part m.s. raw;
pin clamping ring POM red

for countersunk small head M6	1031-U12
with press-fit threaded studs M6x15	1031-U19

125° hinge for single cabinets
for 25 mm door return

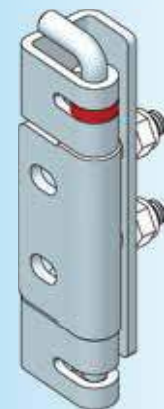
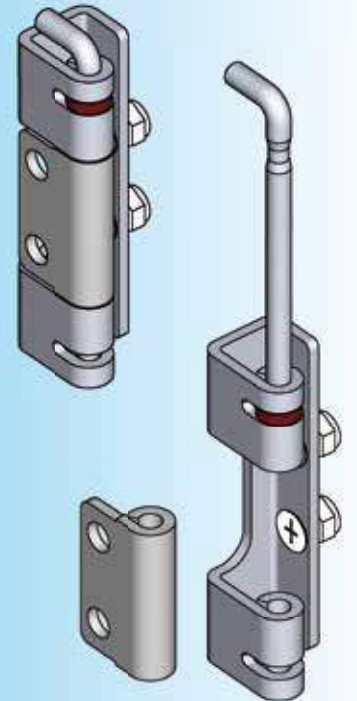


Hinge for countersunk screw M6

Hinge with press-fit threaded studs M6

125° hinge AISI 304 or AISI 316Ti; threaded studs stainless steel; pin clamping ring POM red

AISI 304	for countersunk small head M6	1031-U13
AISI 316Ti	for countersunk small head M6	1031-U22
AISI 304	with press-fit threaded studs M6x15	1031-U20



* not included

small head = DIN ISO 2009, 2010, 7046-1, 7046-2, 7047

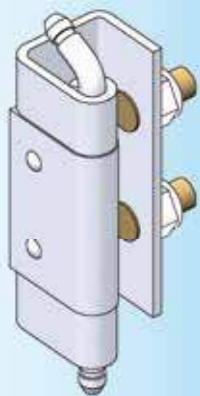
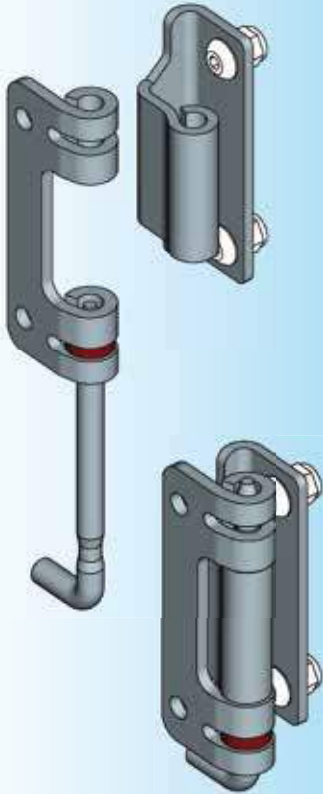
Info

1 Quarter turns

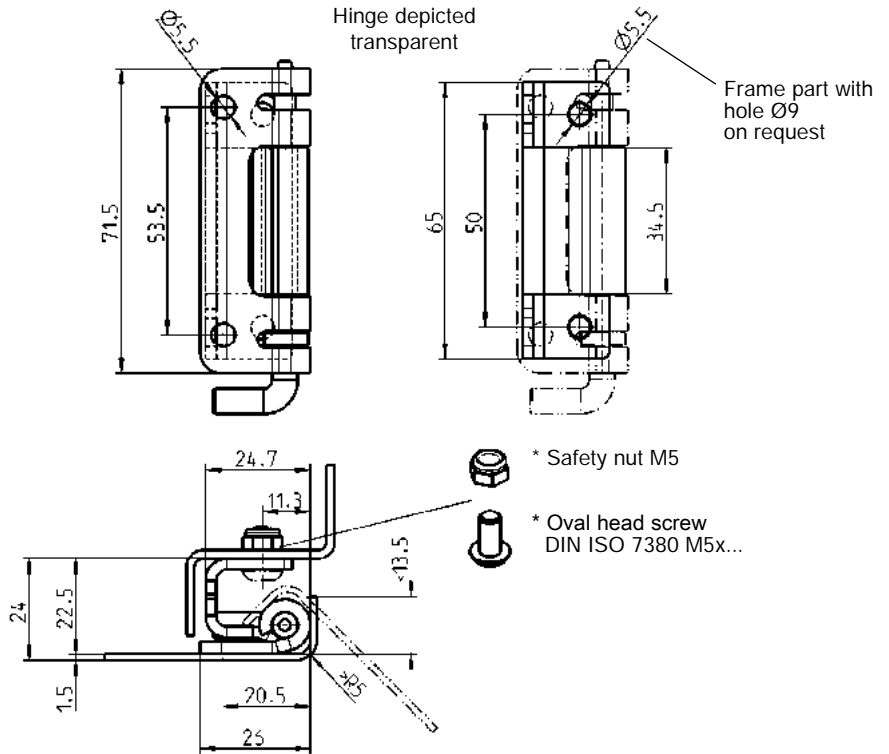
2 Rod controls

3 Locking systems

4 Hinges



Edelstahl Rostfrei
STAINLESS STEEL
135° hinge for single cabinets
for 24 mm door return

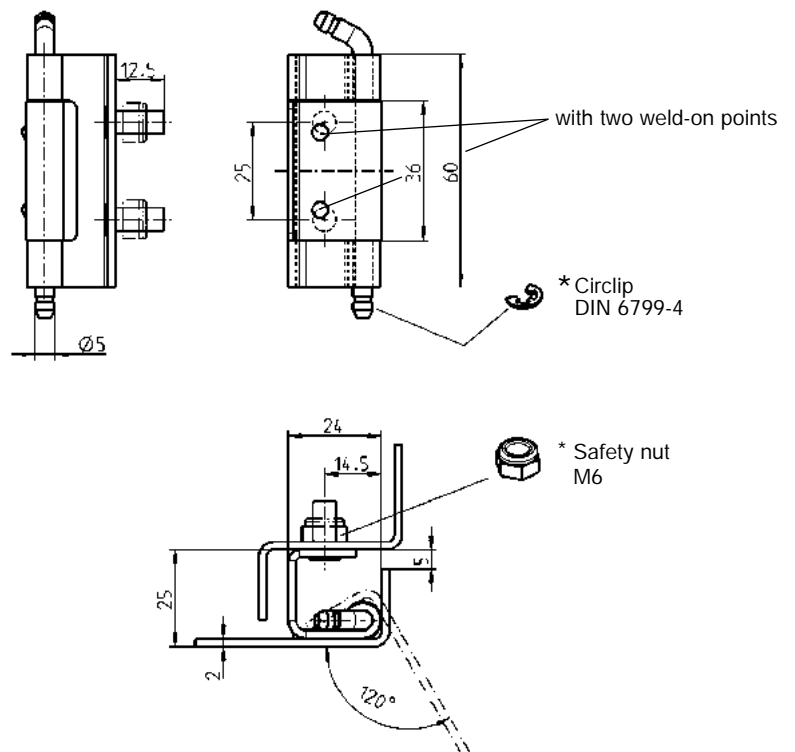


135° hinge AISI 304; pin AISI 303; pin clamping ring POM red

Fixing points according to common standards

1031-U15

120° hinge for single cabinets
for 25 mm door return



120° hinge
frame part m.s. zinc-plated; roll m.s. raw; pin m.s. zinc-plated

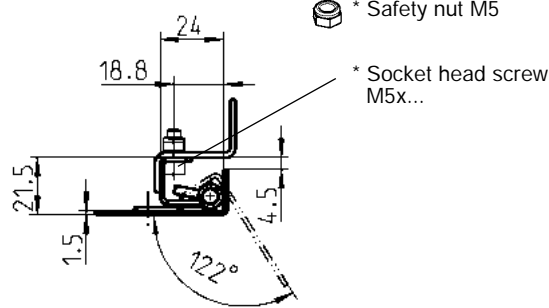
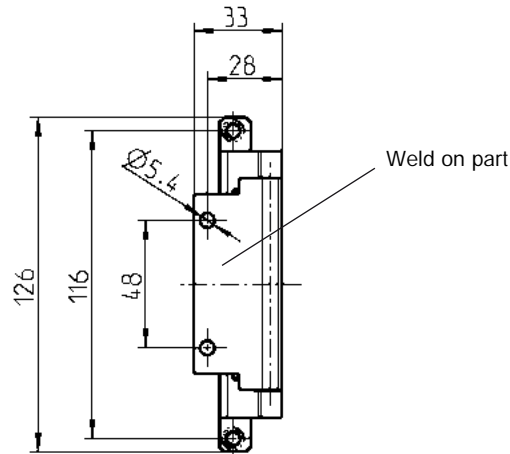
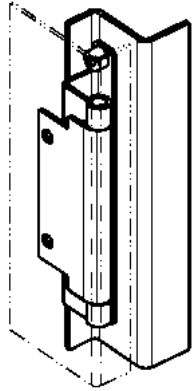
1031-U21

* not included

115° and 122° hinge with captive pin

PROGRAM 1031

122° hinge for single cabinets
for 22 mm chamfering



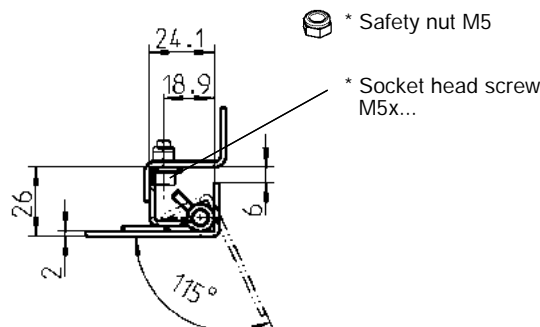
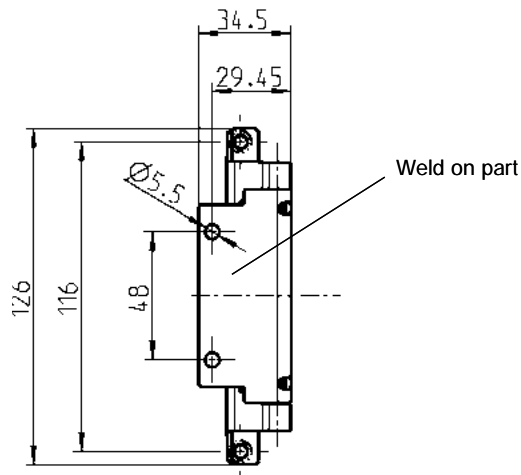
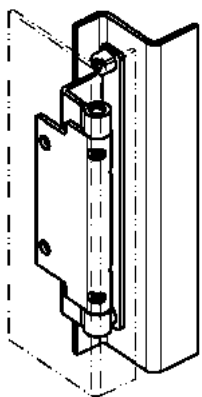
Product benefits

- can be hinged and unhinged without tools

122° hinge m.s. zinc plated, with spring

1031-U18

115° hinge for single cabinets
for 26 mm door return



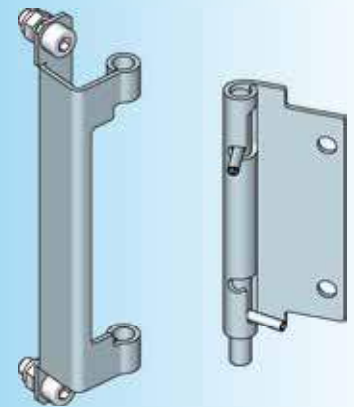
Product benefits

- can be hinged and unhinged without tools

115° hinge AISI 304

1031-U14

Beschlagteile

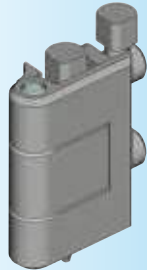


* not included

180° hinge PROGRAM 1110

Beschlagteile

180° hinge for in-line cabinets with double doors
20 mm door return



Version A



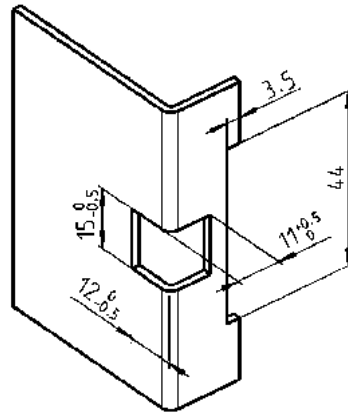
Version B



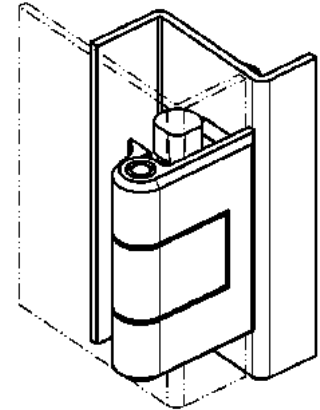
Version C



Version D

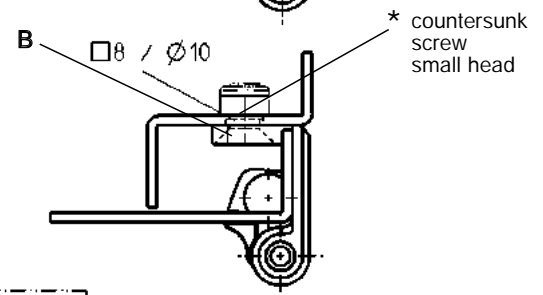
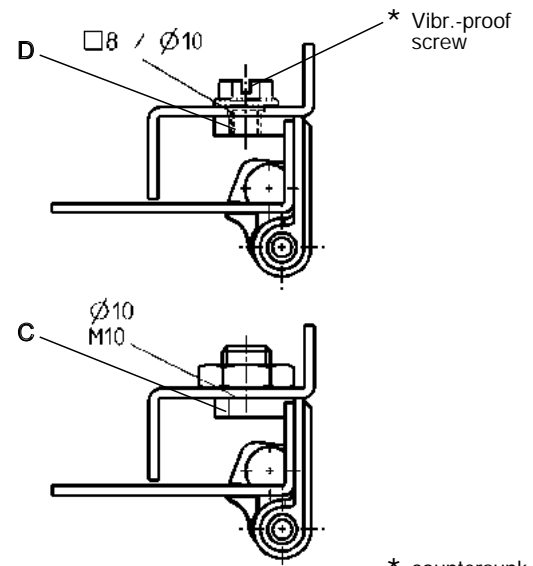
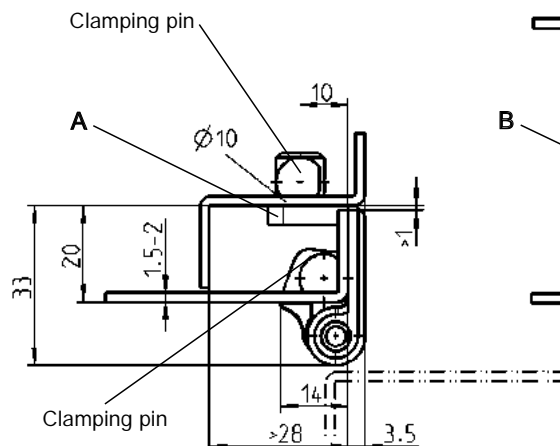
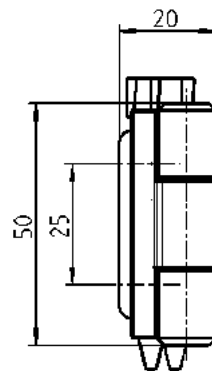


Cut out



Assembling:

Hinge is fixed by driving in the clamping pin.



* not included

small head = DIN ISO 2009, 2010, 7046-1, 7046-2, 7047

Further parts see page
– Fixing material 12E-100

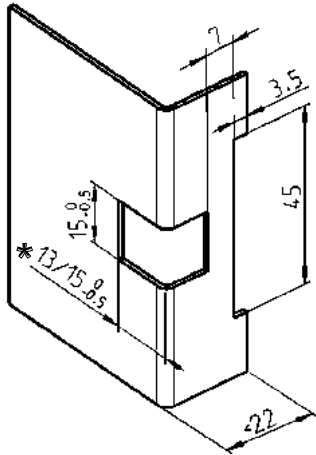
Hinge surface of your choice; fixing material polyamide GF black;
pin stainless steel; washer and nut m.s. zinc plated

	black powder coated	chrome plated
Version A	1110-U128	on request
Version B	1110-U130	1110-U130-IA
Version C	1110-U129	on request
Version D	1110-U127	on request

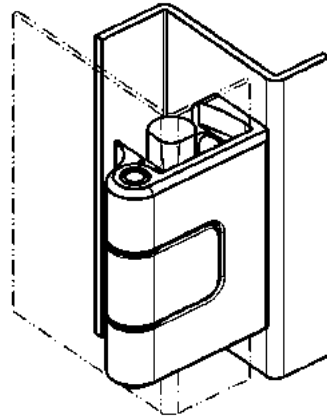
180° hinge

PROGRAM 1110

180° hinge for inline cabinets with double doors

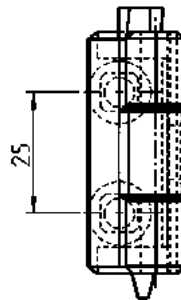
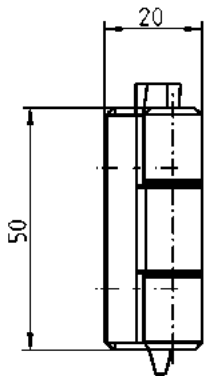


Cut out

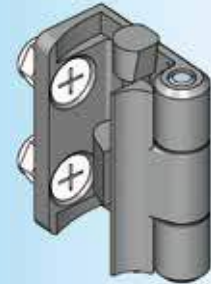
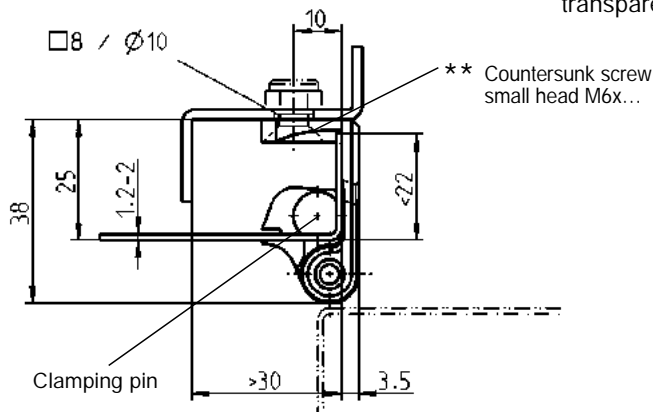


Assembling:
Hinge is fixed by driving in the clamping pin.

- * Door thickness 1.2-1.5=13 mm
- Door thickness 1.5-2.0=15 mm



Hinge depicted transparent



** not included

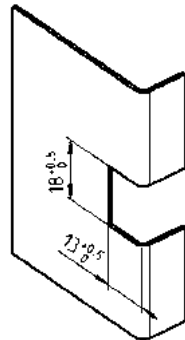
Hinge zinc die black powder-coated;
fixing pin polyamide GF black;
pin stainless steel; washer m.s. zinc plated

small head = DIN ISO 2009,
2010, 7046-1, 7046-2, 7047

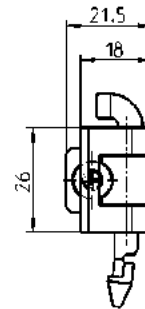
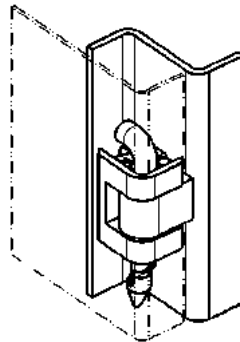
1110-U140

180° hinge PROGRAM 1110

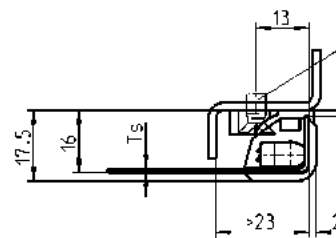
180° PA hinge for single cabinets
with 16 mm door return



Cut out



* Countersunk screw smaller head M5x... or rivet Ø 5



180° hinge Polyamide GF black; pin Polyamide black

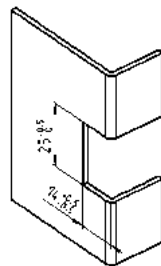
Ts 1.0 - 1.25 mm

1110-U23

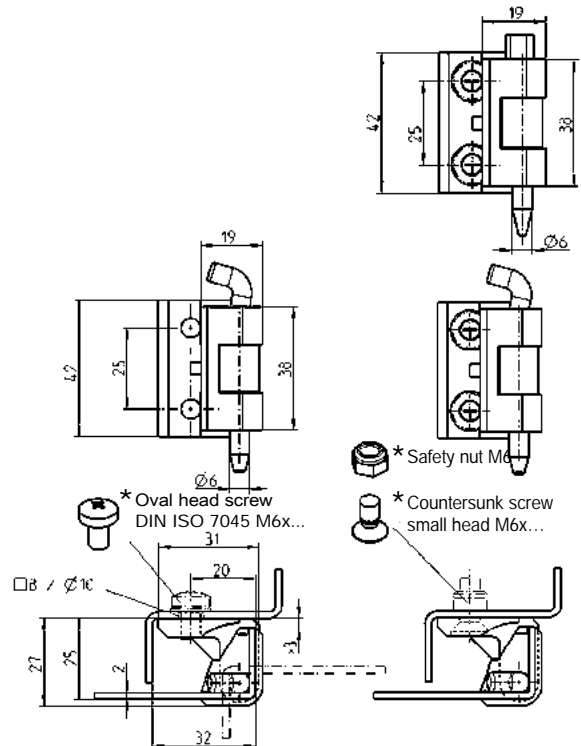
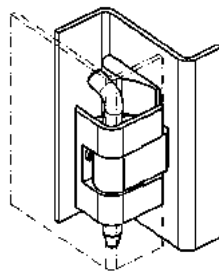
Ts 1.5 - 2.0 mm

1110-U24

180° hinge for single cabinets
for 25 mm door return



Cut out



180° hinge zinc die; pin m.s. zinc plated

chrome plated

black powder coated

Locking screw M6

1110-U20

1110-U22

Countersunk screw M6 (2D-nut possible)

1110-U19

1110-U21

180° hinge Polyamide GF black; pin Polyamide black

Countersunk screw M6 (2D-nut possible)

1110-U125

* not included

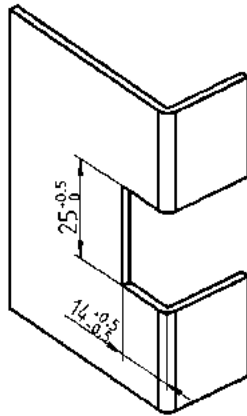
small head = DIN ISO 2009, 2010, 7046-1, 7046-2, 7047

Further parts see page

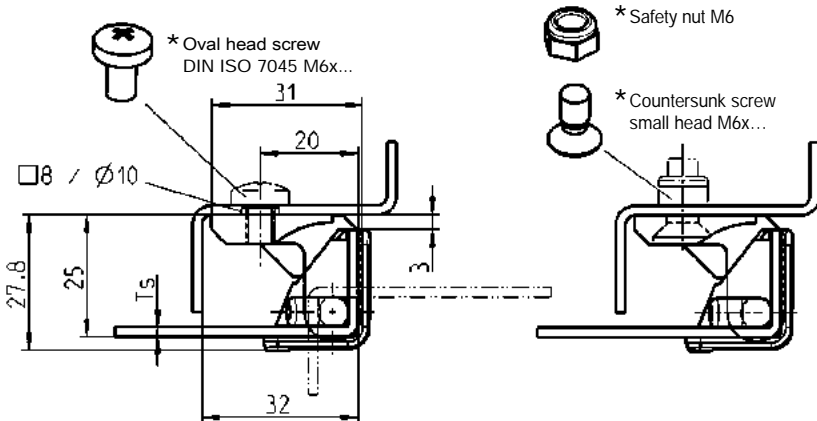
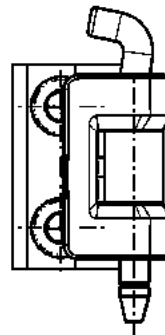
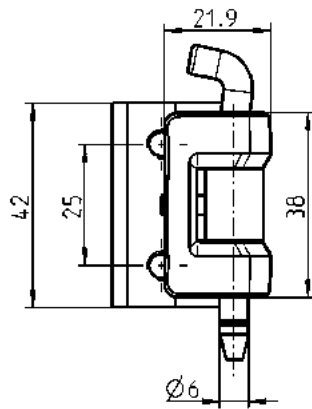
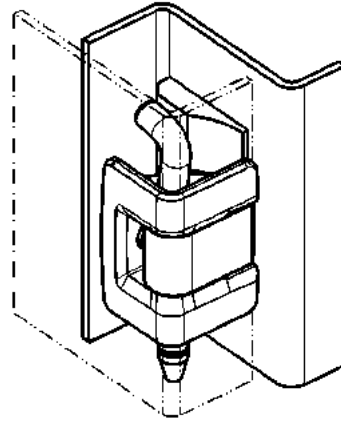
- 2D-nut 12E-120
- Fixing material 12E-100

180° hinge PROGRAM 1110

180° hinge for single cabinets
for 25 mm door return



Cut out



* not included

small head = DIN ISO 2009,
2010, 7046-1, 7046-2, 7047

Further parts see page
– 2D-nut

12E-120

180° hinge AISI 316; pin AISI 303

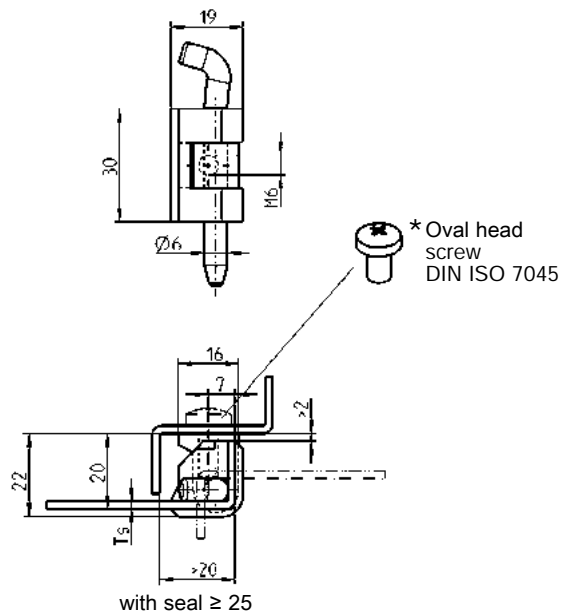
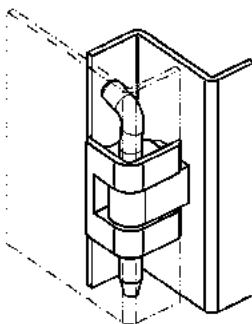
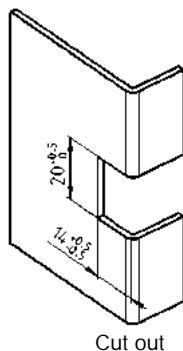
	Ts 0.8 - 1.0	Ts 1.5 - 2.0
Locking screw M6	1110-U134	1110-U135
Countersunk screw M6 (2D-nut possible)	1110-U136	1110-U137

180° hinge PROGRAM 1110

Beschlagteile



180° hinge for single cabinets
for 20 mm door return

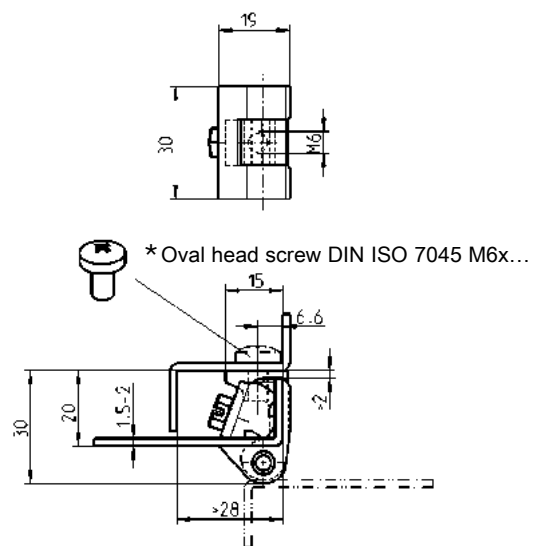
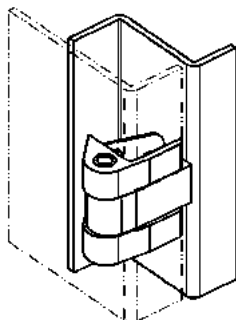
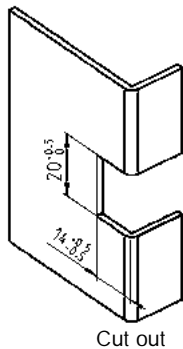


180° hinge zinc die and pin m.s. zinc plated or AISI 316 and pin 303

	Ts 0,8 – 1,0	Ts 1.5 – 2.0
Zinc die chrome plated	–	1110-U2
Zinc die black powder coated	–	1110-U3
AISI 316	1110-U51	1110-U50



180° hinge for in-line cabinets with adjacent door
for 20 mm door return



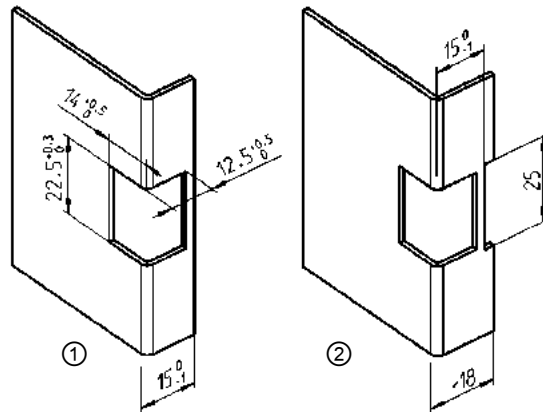
180° hinge zinc die or AISI 316; pin m.s. zinc plated or AISI 304;
Fixing material m.s. zinc plated or AISI 303

chrome plated	1110-U4-N
black powder coated	1110-U5-N
AISI 316	1110-U5-NPH

* not included

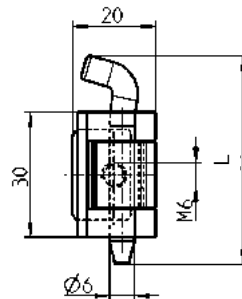
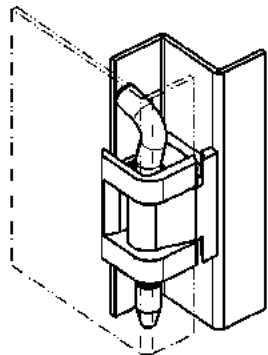
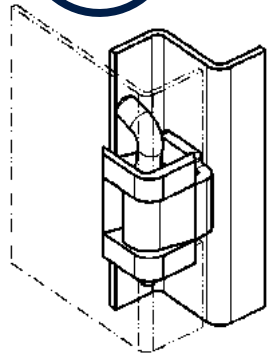
180° hinge PROGRAM 1110

180° hinge for single cabinets
for 20 mm door return



Cut out on choice

NEW

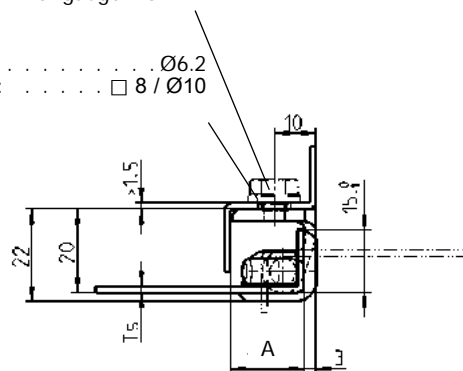


Pin length ① ; L = 50
Pin length ② ; L = 66

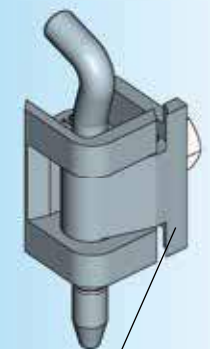
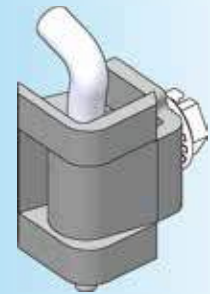
* for type zinc-die / m.s.:
vibration proof screw 1000-277-02JB (M6x6)

* for type stainless steel:
disc DIN ISO 7089 - 6 and
hexagon screw DIN ISO 4017 M6 x 6
for gauge 1.5

Zinc-die / m. s. Ø6.2
Stainless steel: □ 8 / Ø10



Cut out ① ; A = 17.5
Cut out ② ; A = >19



Frame part with M6-thread
and spigot

180° hinge, door part zinc-die black powder-coated;
Frame part m. s. black powder-coated; pin ① m.s. zinc-plated

Ts 1.5 - 2.0 1110-U141

180° hinge AISI 316; pin ② AISI 303

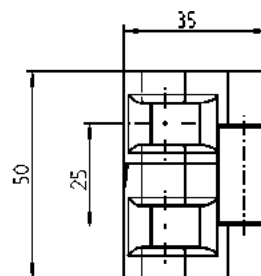
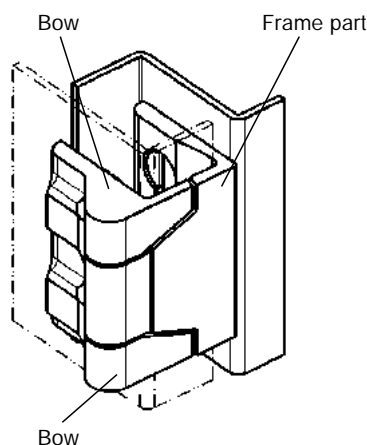
Ts 1.5 1110-U131

Ts 2.0 1110-U132

* not included

180° hinge PROGRAM 1110

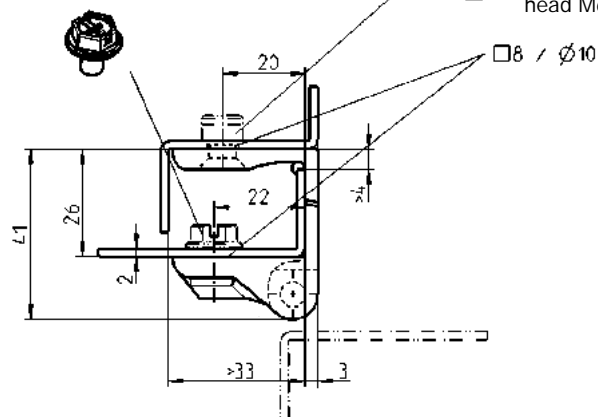
180° hinge for in-line cabinets with single door
135° lift-off version for 25 mm door return



* Vibration proof screw
1000-277-03JB (M6x8)

* Safety nut
M6

* Countersunk
screw small
head M6x...



180° hinge zinc die; pins stainless steel and washers brass

black powder coated

1110-U52

chrome plated

1110-U53

180° hinge for in-line cabinets with single door
lift-off version for 25 mm door return

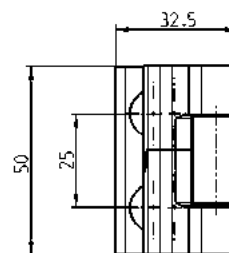
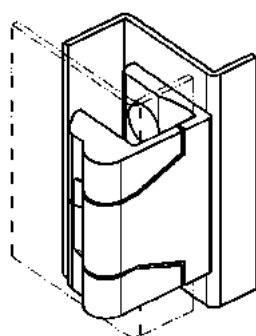


Note:
Lift-off by removing the lower
door part

* not included

small head ≙ DIN ISO 2009,
2010, 7046-1, 7046-2, 7047

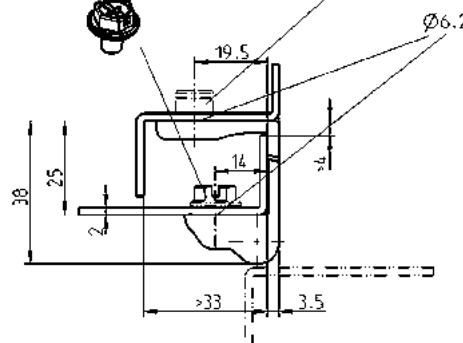
Further parts see page
– 2D-nut 12E-120
– Fixing material 12E-100



* Vibration proof screw
1000-277-03JB (M6x8)

* Safety nut
M6

* Countersunk
screw small
head M6x...



If a reduced gap is required between
the door and frame of approx 1-2 mm
then a cut-out is required.
The deeper the cut-out, the closer the
door can be to the frame.

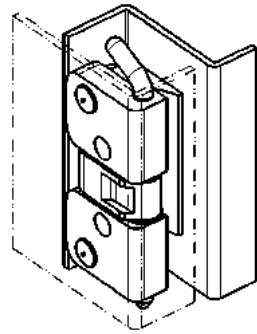
180° hinge zinc die black powder coated;
hinge pin m.s. zinc plated; washer brass

1110-U123

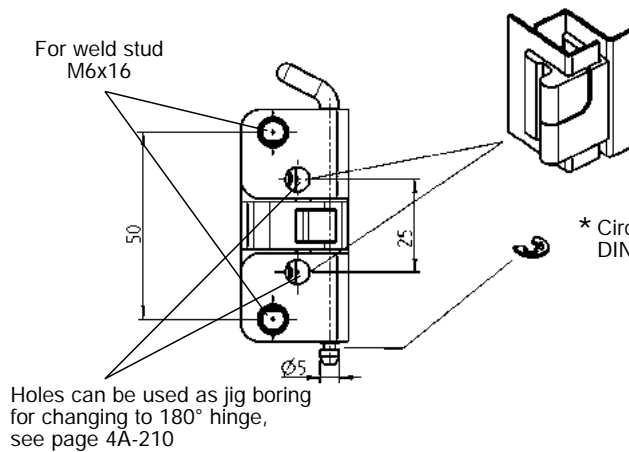
120° hinge

PROGRAM 1110

120° hinge for in-line cabinets with single door
for 25 mm door return

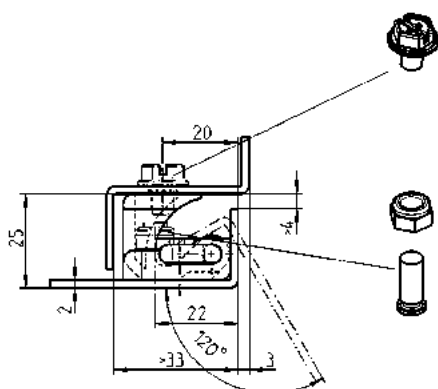


For weld stud
M6x16



* Circlip
DIN 6799-4

* Vibration proof screw
1000-277-03JB (M6x8)



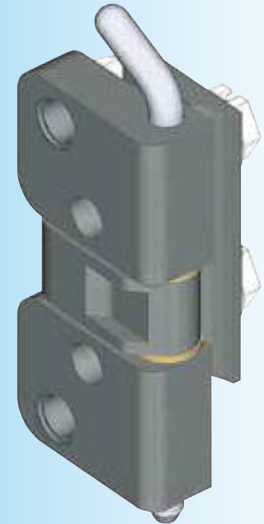
* Safety nut
M6

* For weld stud
M6x16

Available on request chrome plated
and with further RAL-colours

120° hinge zinc die black powder coated;
pin m.s. zinc plated

1110-U86



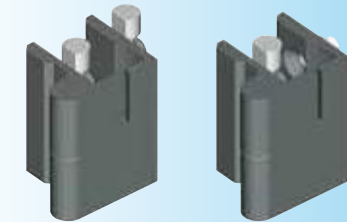
* not included

Further parts see page
– Fixing material

12E-100

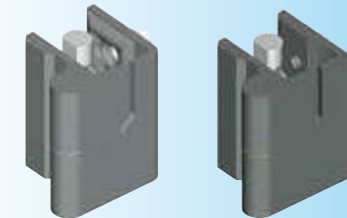
180° hinge PROGRAM 1110

Beschlagteile



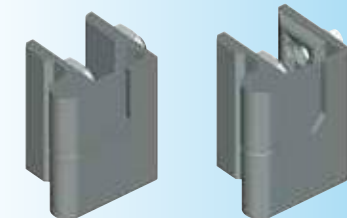
Version A+E

Version C+E



Version C+E

Version D+E



Version B+F

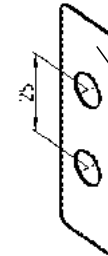
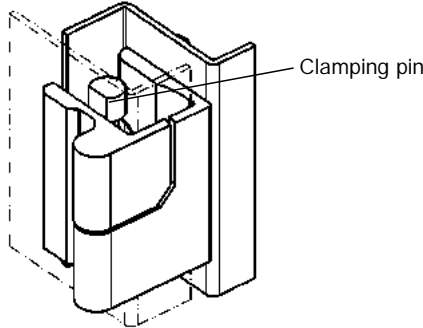
Version C+F



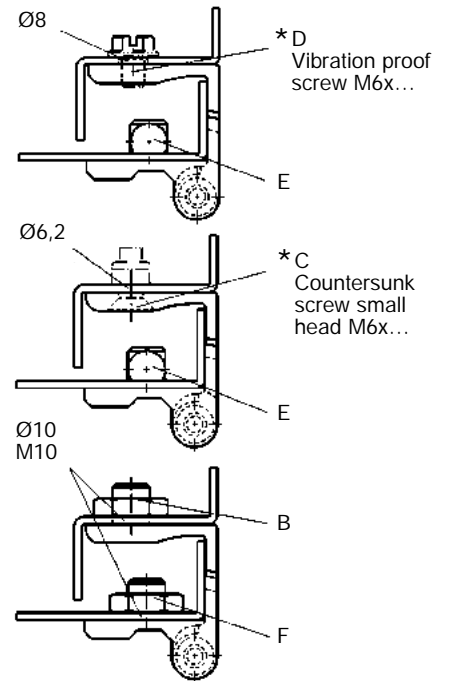
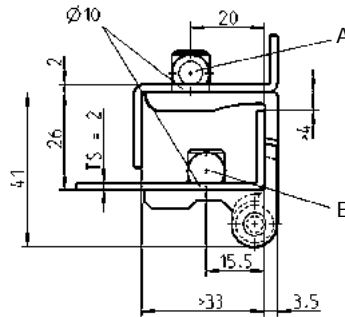
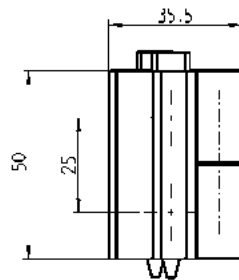
180° hinge for in-line cabinets with adjacent door
lift-off upon 70° opening angle for 26 mm door return

STAINLESS STEEL

Version for
Ts = 2



Spacer plate has to be ordered sep. for different door gauges (one plate per clamping bar)



* not included

** 2D-nut possible

Note:
Detachable from 70° viewing angle, but not hinge bracket in AISI and St

small head ≙ DIN ISO 2009, 2010, 7046-1, 7046-2, 7047

Further parts see page
– 2D-nut 12E-120
– Fixing material 12E-100

180° hinge zinc die black powder coated; fixing pin Polyamide GF

Version	LH	RH
A+E	1110-U71	1110-U68
C+E ** (2D)	1110-U69	1110-U66
D+E	1110-U70	1110-U67
B+F	1110-U109	1110-U106
C+F ** (2D)	1110-U107	1110-U104
D+F	1110-U108	1110-U105

180° hinge; frame part m.s. black powder coated; hinge door part zinc die

Version	LH	RH
C+E ** (2D)	1110-U118	1110-U119
C+F ** (2D)	1110-U120	1110-U121
180° hinge AISI 316		
C+F ** (2D)	1110-U120-PH	1110-U121-PH

Support plate 304 (1x per pin fixing)

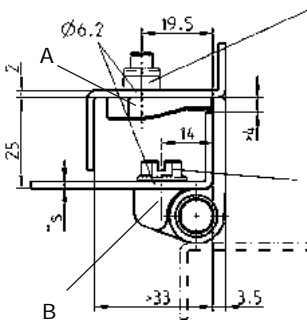
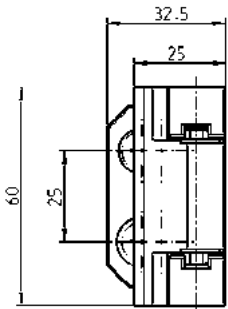
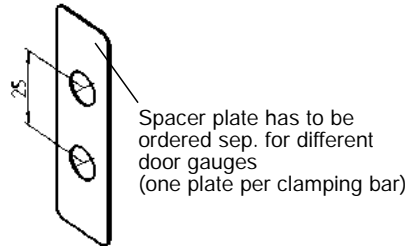
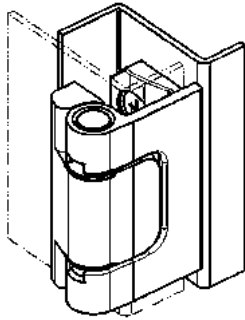
for Ts 1.0	1110-39-01
for Ts 1.5	1110-39

180° hinge

PROGRAM 1110

180° hinge for in-line cabinets with single door
lift-off upon 90° opening angle for 25 mm door return

Version for
Ts = 1.5 - 1.8 and 2



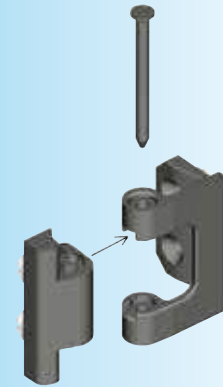
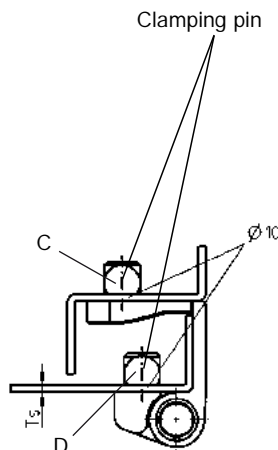
* Safety nut
M6



* Countersunk screw
small head M6x...



* Vibration proof
screw
1000-277-02JB
(M6x6)



180° hinge zinc die black powder coated; fixing pin Polyamide GF black;
hinge pin and washer Polyamide GF black

Version	Ts ≙ 2.0
A + B, screw (2D-nut possible)	1110-U122
C+D, clamp	1110-U126

180° hinge; frame part zinc die black powder coated; hinge part Polyamide 66 GF 50 black;
Fixing pin Polyamide GF black; hinge pin and washer Polyamide GF black

Version	Ts ≙ 1.5 - 1.8
A + D, bolted and clamped (2D-nut used)	1110-U133
Support plate 304 (1x per pin fixing)	
for Ts 1.0 (1110-U126); for Ts 0.8 (1110-U133)	1110-39-01
for Ts 1.5 (1110-U126); for Ts 1.0 - 1.3 (1110-U133)	1110-39

* not included

small head ≙ DIN ISO 2009,
2010, 7046-1, 7046-2, 7047

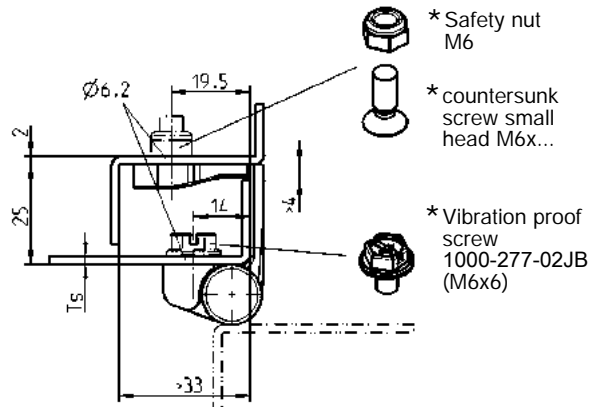
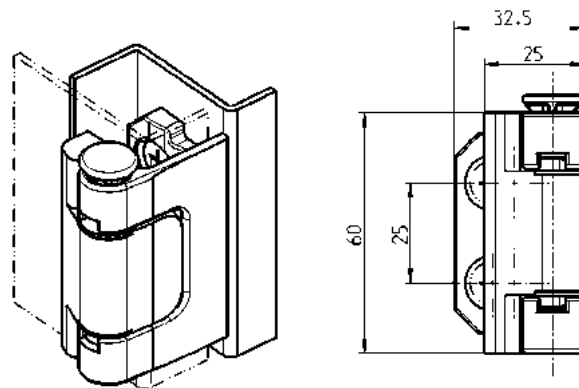
Further parts see page
– 2D-nut 12E-120
– Fixing material 12E-100

180° hinge with captive pin

PROGRAM 1110

Beschlagteile

180° hinge for inline cabinets with single doors
can be unhinged at 90° opening angle, for 25 mm door return



* not included in the scope of supply

small head = DIN ISO 2009, 2010, 7046-1, 7046-2, 7047

Further parts see page
– 2D-nut 12E-120
– Fixing material 12E-100

180° hinge zinc die black powder coated;
hinge pin and washer polyamide GF black;
pin clamping ring POM red

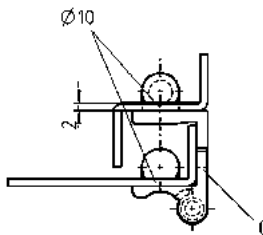
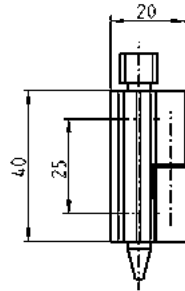
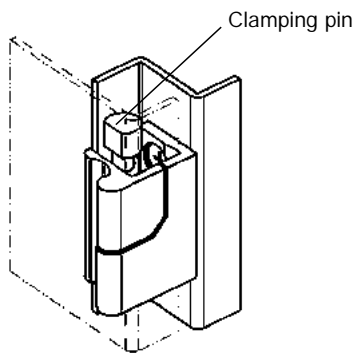
	Ts = 2.0
(2D-nut possible)	1110-U142
Door part with fastening bolt can be clamped	on request

180° hinge

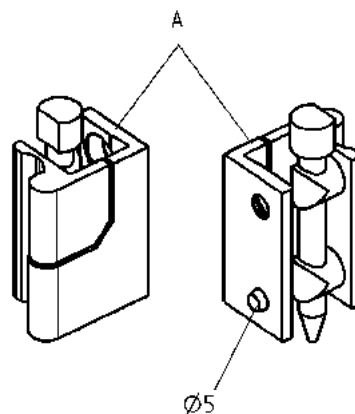
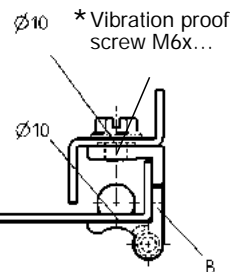
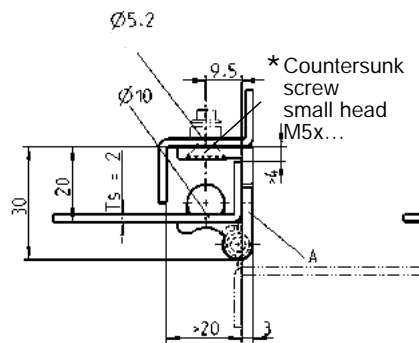
PROGRAM 1110

180° hinge for in-line cabinets with adjacent door
can be unhinged from 70° opening angle for 20 mm door return

Version for
Ts = 2

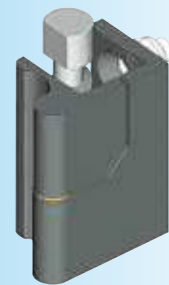


Washer plate has to be ordered
sep. for deviating door thicknesses
(one plate per clamping pin)



Only for version A

Available chrome plated
or with further RAL-colours on request



Version A



Version B



Version C

180° hinge zinc die black powder coated; fixing pin polyamide GF black;
hinge pin stainless steel and washer brass

Version A	RH	1110-U78
	LH	1110-U81
Version B	RH	1110-U79
	LH	1110-U82
Version C	RH	1110-U80
	LH	1110-U83

Washer plate AISI 304 (1x per pin fixing)

for Ts 1.0	1110-39-03
for Ts 1.5	1110-39-02

* not included in
the scope of supply

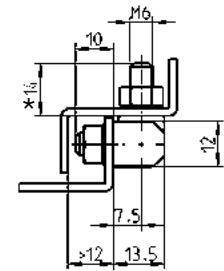
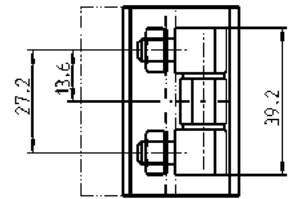
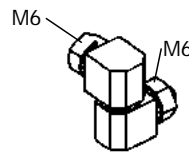
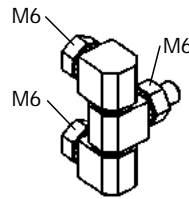
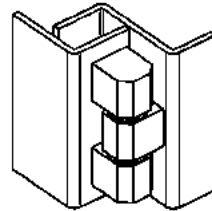
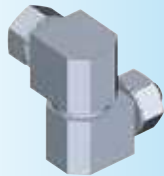
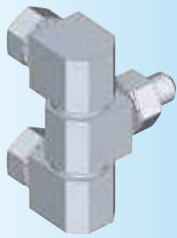
small head = DIN ISO 2009,
2010, 7046-1, 7046-2, 7047

Further parts see page
– Fixing material

12E-100

180° screw-on hinge PROGRAM 1055, 1039

180° screw-on hinge

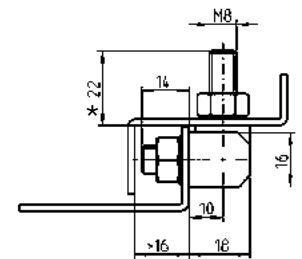
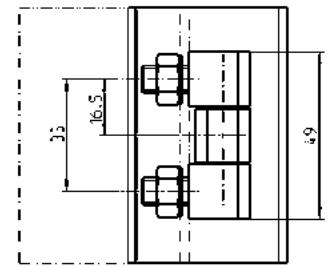
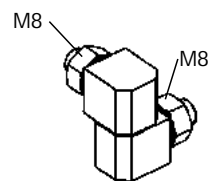
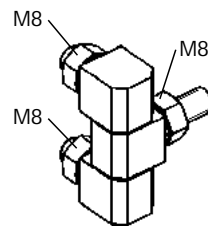
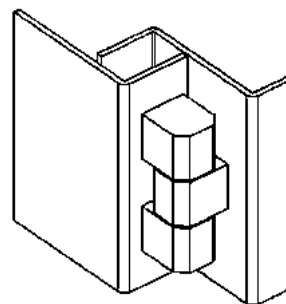
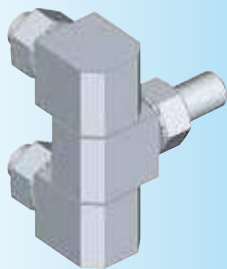


* = 10 mm in case of 2-part hinge

180° screw-on hinge m.s. zinc plated; pin and washers brass nickel plated or completely stainless steel

- three-part	m.s.	1055-U2
	AISI 303	1055-U6
	AISI 316	1055-U8
- two-part	m.s.	1055-U5

180° screw-on hinge



* = 14 mm in case of 2-part hinge

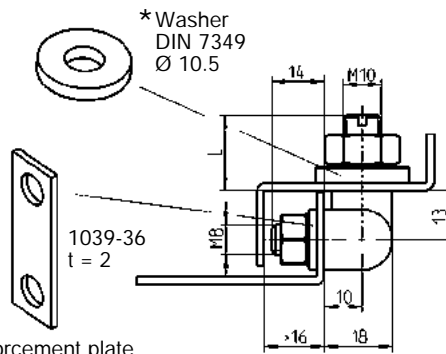
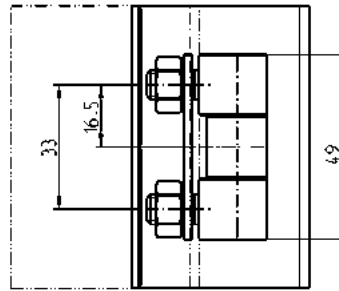
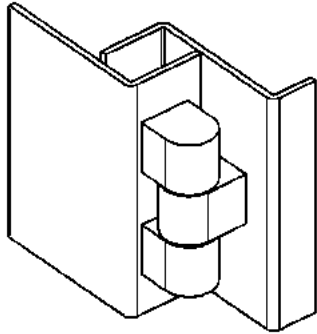
180° screw-on hinge m.s. zinc plated; pin and washers brass nickel plated or completely stainless steel

- three-part	m.s.	1039-U12
	AISI 303	1039-U19
	AISI 316	1039-U26
- two-part	m.s.	1039-U17

Hinge

PROGRAM 1039, 1035

180° screw-on hinge
e.g. for pressure resistant doors



Reinforcement plate

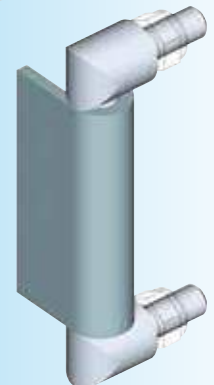
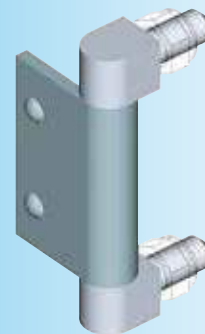
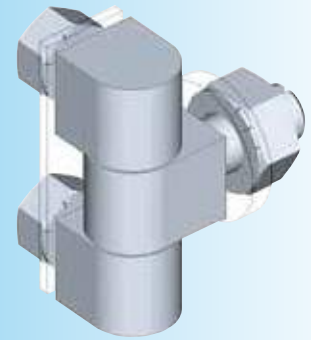
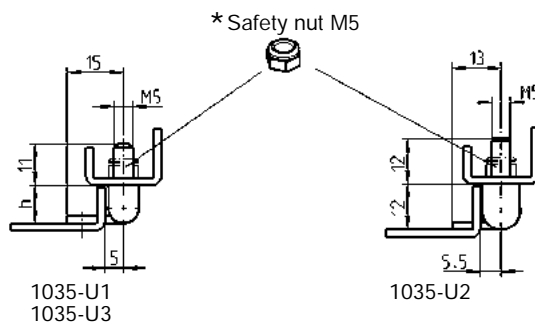
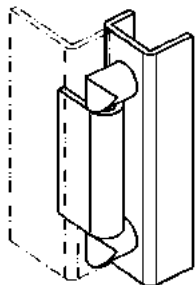
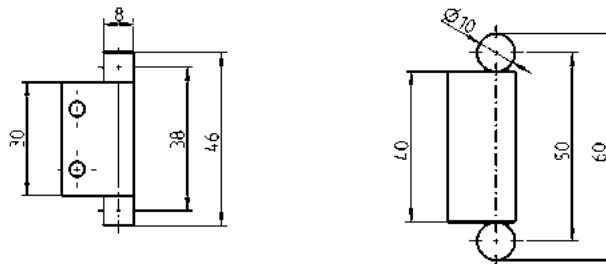
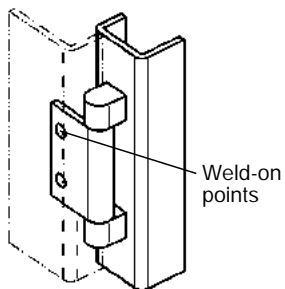
180° screw-on hinge tempered, zinc plated; pin and washers brass nickel plated

Stud length	L = 20 mm	1039-U6
	55 mm	1039-U7
	65 mm	1039-U8

Reinforcement plate m.s. zinc plated

1039-36

180° hinge



180° hinge m.s. zinc plated;
hinge door part m.s. raw

h = 10	1035-U1
12	1035-U3

180° hinge m.s. zinc plated;
hinge door part m.s. raw

1035-U2

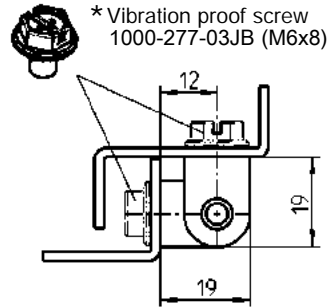
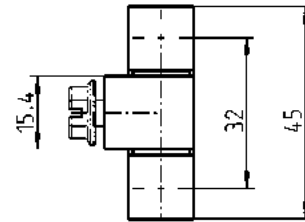
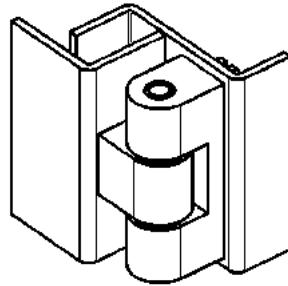
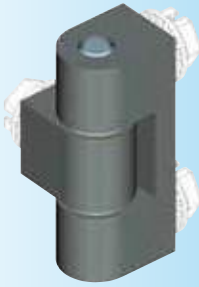
* not included in
the scope of supply

Hinge PROGRAM 1054, 1105

180° screw-on hinge



RL



180° screw-on hinge zinc die; pin stainless steel and bushes polyamide

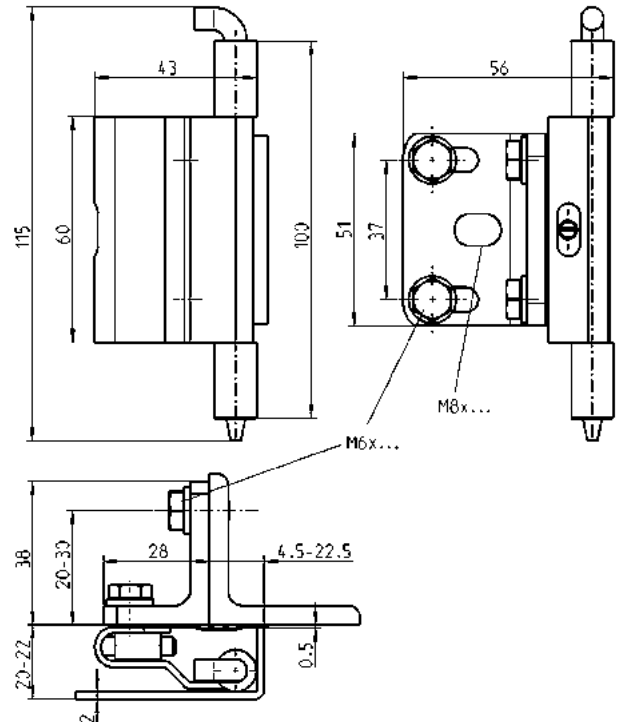
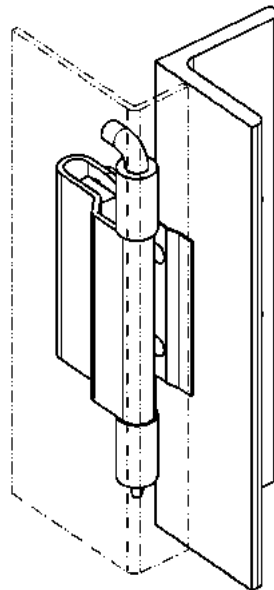
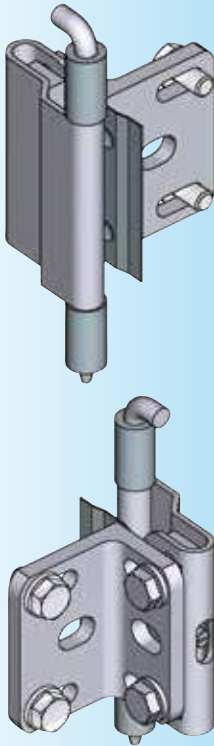
chrome plated

1054-U1

black powder-coated

1054-U30

130° spring loaded hinge



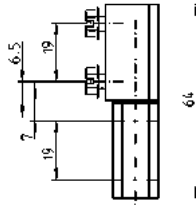
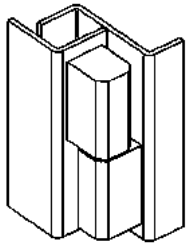
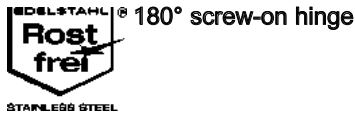
* not included in the scope of supply

130° spring-loaded hinge m.s. zinc plated; door part m.s. raw, spring stainless steel bright

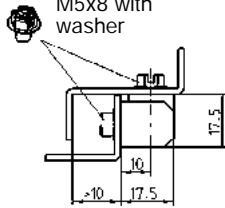
1105-U1

Screw-on hinge

PROGRAMM 1056, 1079



* Vibration proof screw
1000-277-09JB
(M5x6) or
M5x8 with
washer

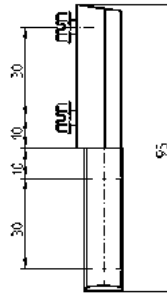
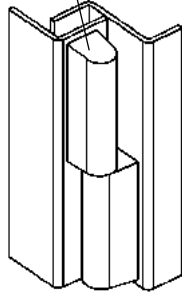


180° screw-on hinge zinc die black powder coated or AISI 316

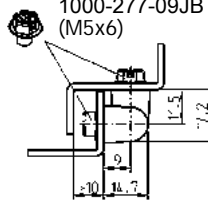
Zinc die	1056-U34
AISI 316	1056-U34-PH

180° plastic screw-on hinge

Chamfered ends preventing the accumulation of dirt



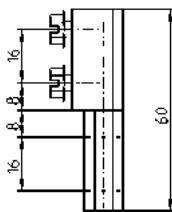
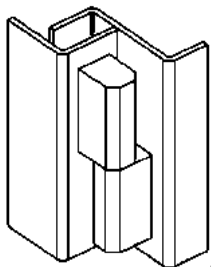
* Vibration proof screw
1000-277-09JB
(M5x6)



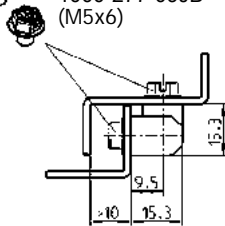
Plastic screw-on hinge polyamide GF black; pin stainless steel and insert m.s. raw

	1079-U2
--	---------

180° plastic screw-on hinge



* Vibration proof screw
1000-277-09JB
(M5x6)



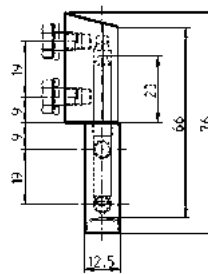
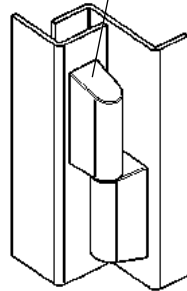
Plastic screw-on hinge polyamide GF black; pin stainless steel and insert m.s. raw

	1079-U4
--	---------

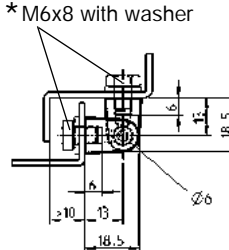
EDLSTAHL 180° stainless steel screw-on hinge



Chamfered ends preventing the accumulation of dirt

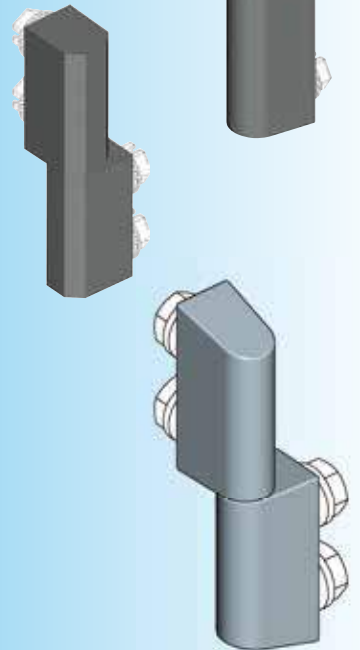
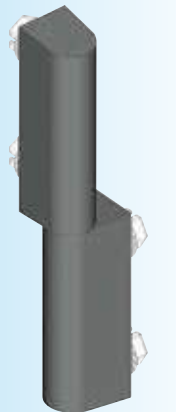
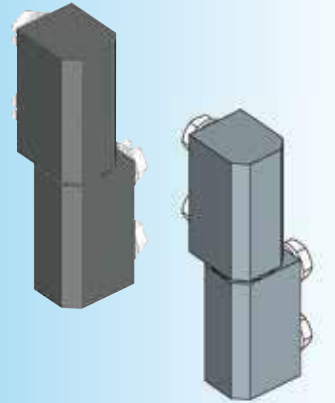


* M6x8 with washer

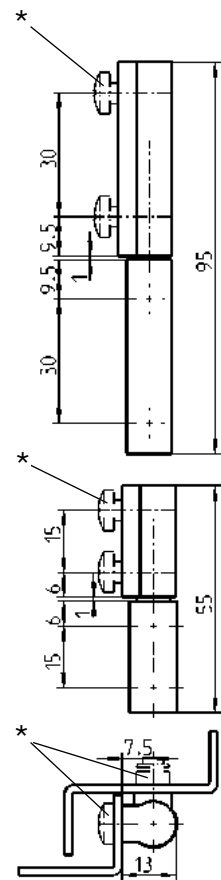
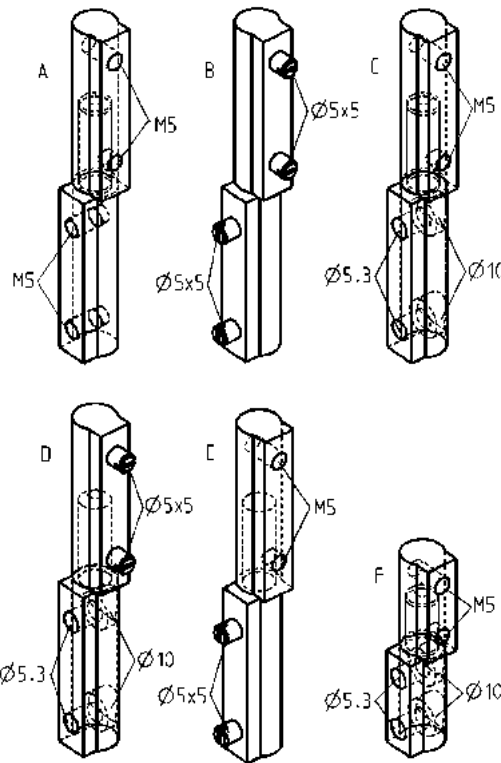
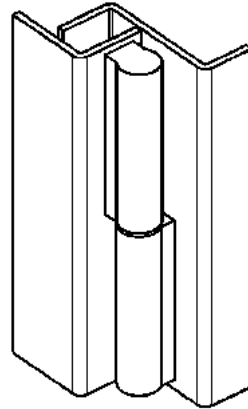
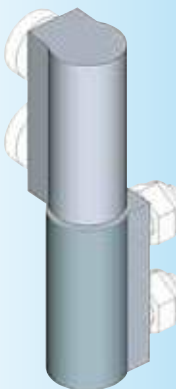
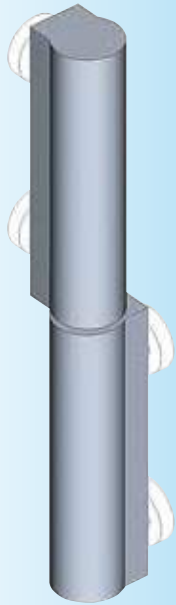


Stainless steel screw-on hinge AISI 316

	1079-U5-PH
--	------------



* not included in the scope of supply



Profile hinge m.s. zinc plated; with weld-on stud m.s. raw; covering sleeve stainless steel

A	1036-U2
B	1036-U3
C **	1036-U4
D **	1036-U5
E	1036-U6
F **	1036-U7

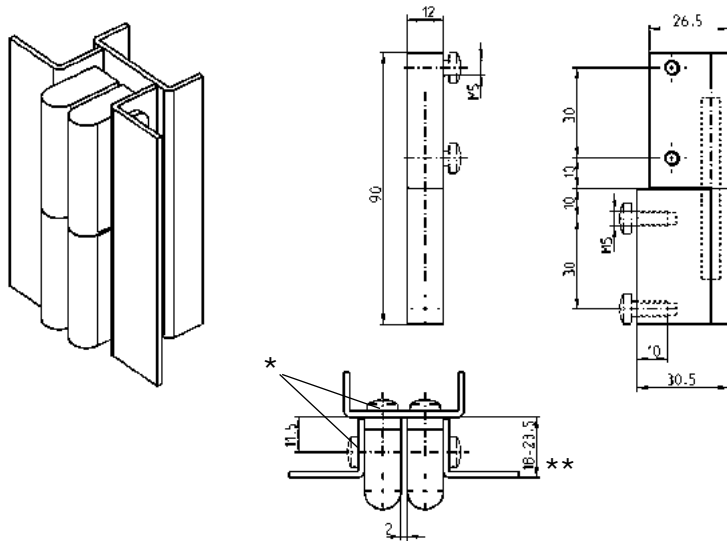
** = with covering sleeve

* not included in the scope of supply

Hinge

PROGRAM 1033, 1036

Screw-on hinge



* *If 18 mm, the opening angle of 180° for inline cabinets with double doors is possible.

Screw-on hinge zinc die; pin stainless steel

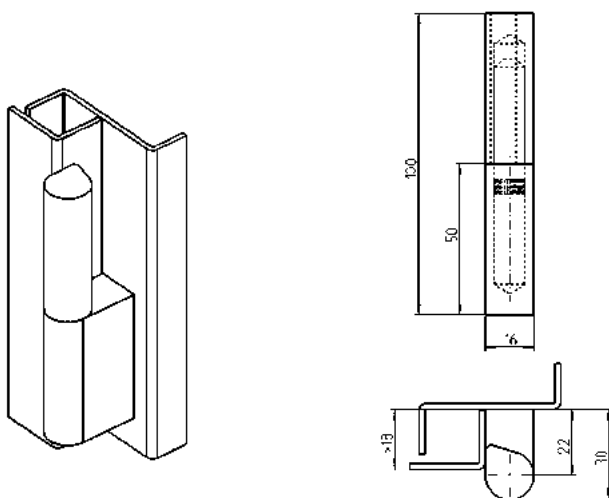
chrome pl.

1036-U9

black powder-coated

1036-U10

180° hinge for inline cabinets with single doors

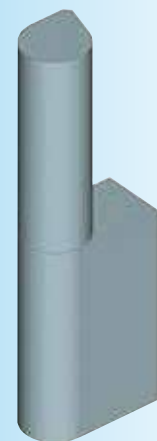


180° weld-on hinge m.s. raw

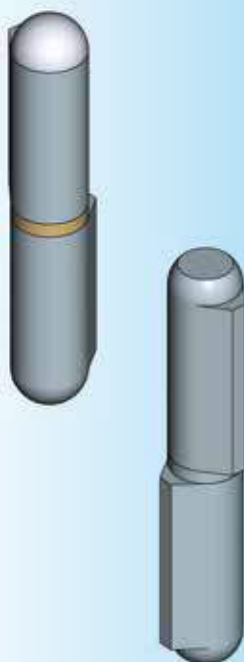
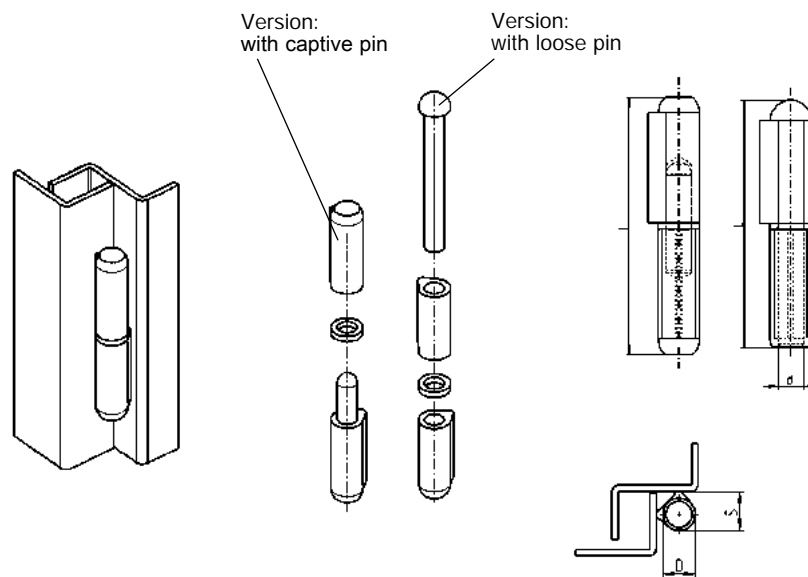
1033-U44



* not included in the scope of supply



Weld-on hinge



Note:
L dimensions are nominal;
weld-on hinges
can be smaller

For the version with captive pin,
the upper part can be ordered,
on request, with lubricating nipple
starting with L-dimension of 80
mm.

On request, weld-on
aluminium hinges!

Version, with captive hinge pin; material as requested

L	D	d	S	m.s. raw m.s. pin	m.s. raw brass pin	AISI 304 pin AISI 304
40	8	5	9,5	1033-U1*	1033-U14*	-
50	8	5	9,5	1033-U2*	1033-U15*	-
60	10	6	12,0	1033-U3*	1033-U16*	1033-U70
70	10	7	12,0	1033-U4*	1033-U17*	-
80	13	8	15,5	1033-U5*	1033-U18*	1033-U71
100	16	10	20,0	1033-U7*	1033-U20*	1033-U72
120	16	11	20,0	1033-U8*	1033-U21*	1033-U73
135	18	12	22,0	1033-U9	1033-U22	-
150	20	13	25,0	1033-U11	1033-U24	1033-U74
180	20	14	25,0	1033-U13*	1033-U26*	1033-U75
200	23	16	28,5	1033-U60	1033-U61	-

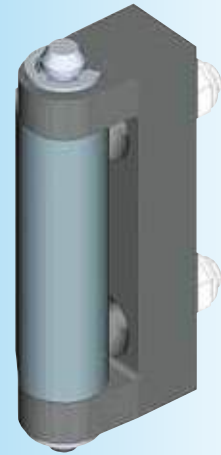
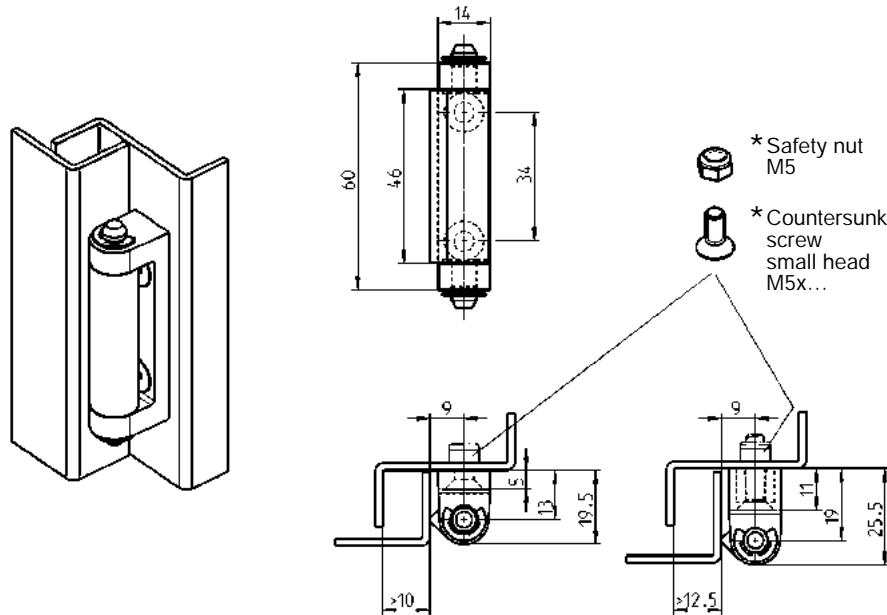
* = to be in stock

Version, with loose hinge pin; material as requested

L	D	d	S	m.s. raw Pin m.s.	m.s. raw Pin brass	AISI 304 Pin AISI 304
40	8	5	9,5	1033-U27	1033-U35	-
50	8	5	9,5	1033-U55	1033-U56	-
60	10	6	12,0	1033-U28	1033-U36	-
70	10	7	12,0	1033-U57	1033-U58	-
80	13	8	15,5	1033-U29	1033-U37	-
100	16	10	20,0	1033-U30	1033-U38	-
120	16	11	20,0	1033-U31	1033-U39	-
135	18	12	22,0	1033-U32	1033-U40	-
150	20	13	25,0	1033-U33	1033-U41	-
180	20	14	25,0	1033-U34	1033-U42	-
200	23	16	28,5	1033-U63	1033-U64	-

Hinge

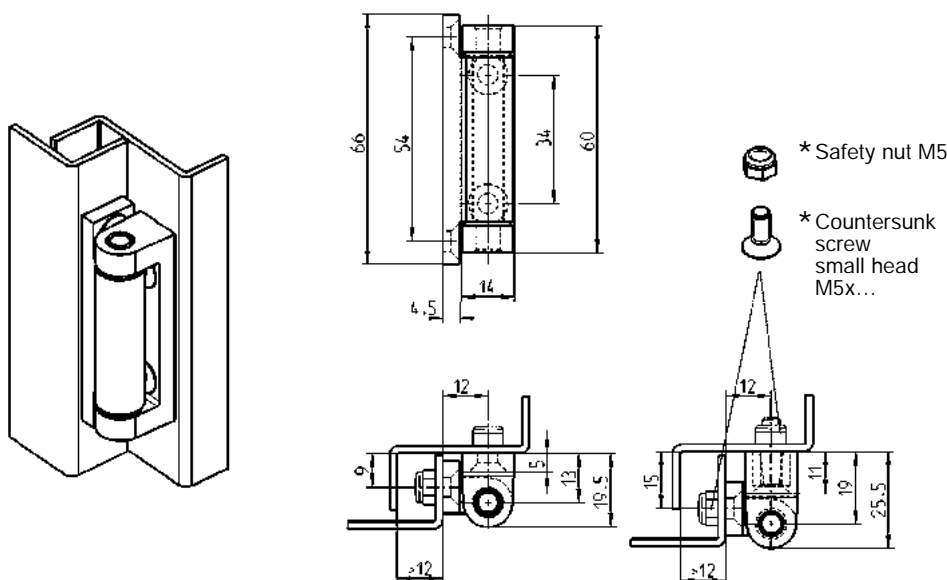
PROGRAM 1054



Hinge zinc die; middle part m.s. raw; pin and washer m.s. zinc plated

	Dim. 19.5	Dim. 25.5
chrome plated	1054-U2	1054-U14
black powder-coated	1054-U8	1054-U15
raw	1054-U26 **	1054-U25 **

** = Minimum order quantity 1000 pieces



Hinge zinc die; pin stainless steel and bushes polyamide

	Dim. 19.5	Dim. 25.5
chrome plated	1054-U3	1054-U16
black powder-coated	1054-U9	1054-U17
raw	1054-U23 **	1054-U24 **

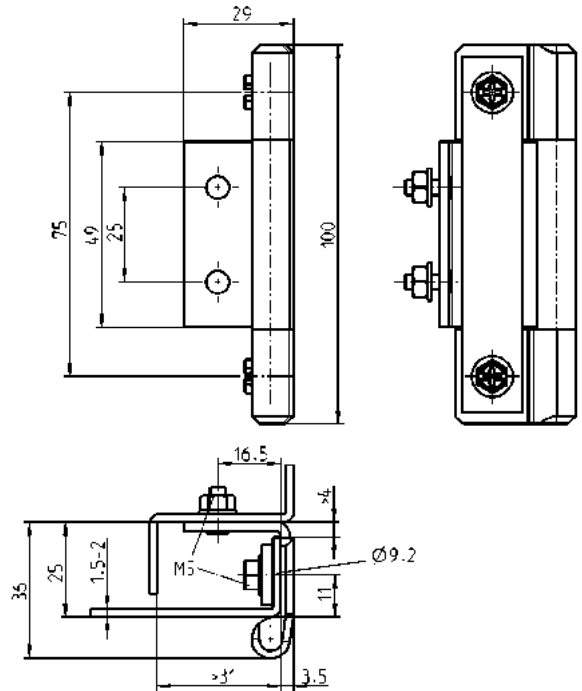
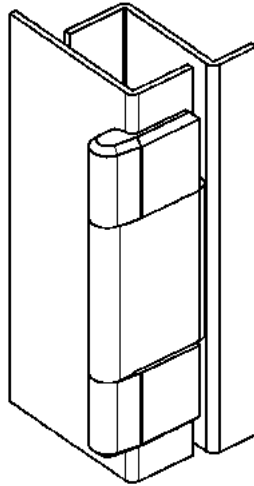
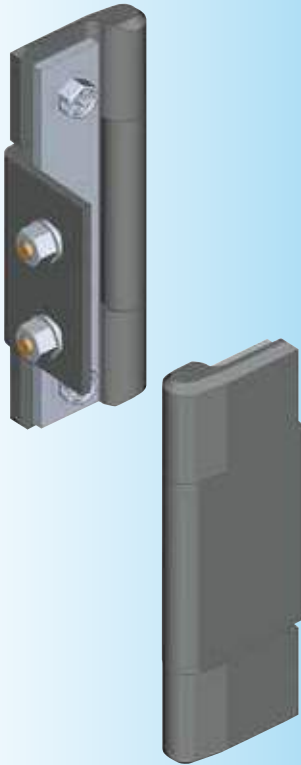
** = Minimum order quantity 1000 pieces

* not included in the scope of supply

small head = DIN ISO 2009, 2010, 7046-1, 7046-2, 7047

180° hinge PROGRAM 1110

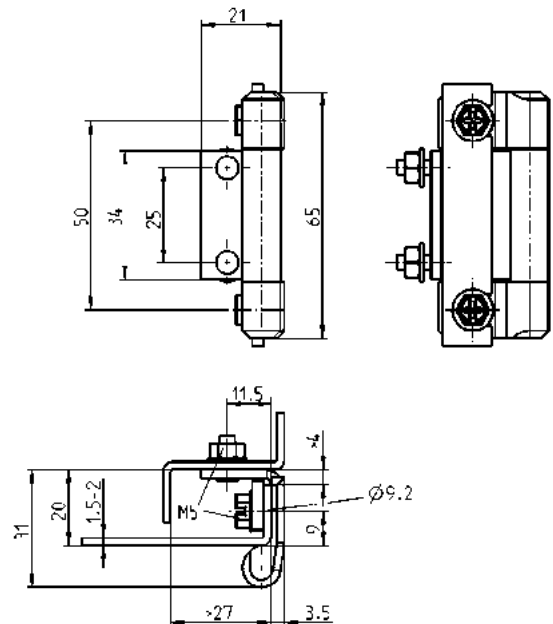
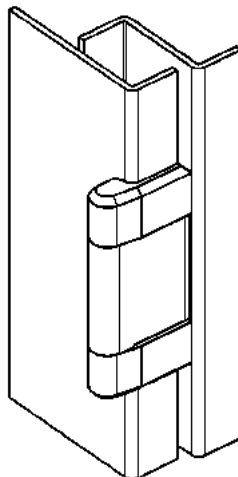
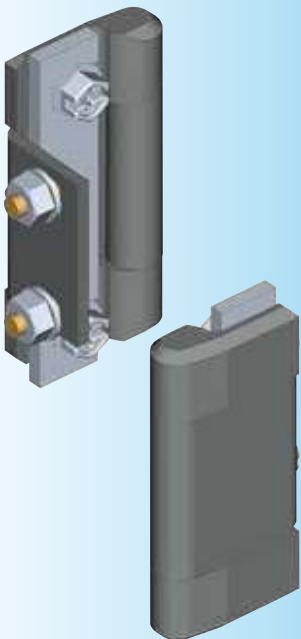
180° hinge for inline cabinets with double doors,
for 25 mm door return



180° hinge part m.s. black; door part zinc die black powder coated;
fixing material m.s. zinc plated

1110-U26

180° hinge for inline cabinets with double doors,
for 20 mm door return

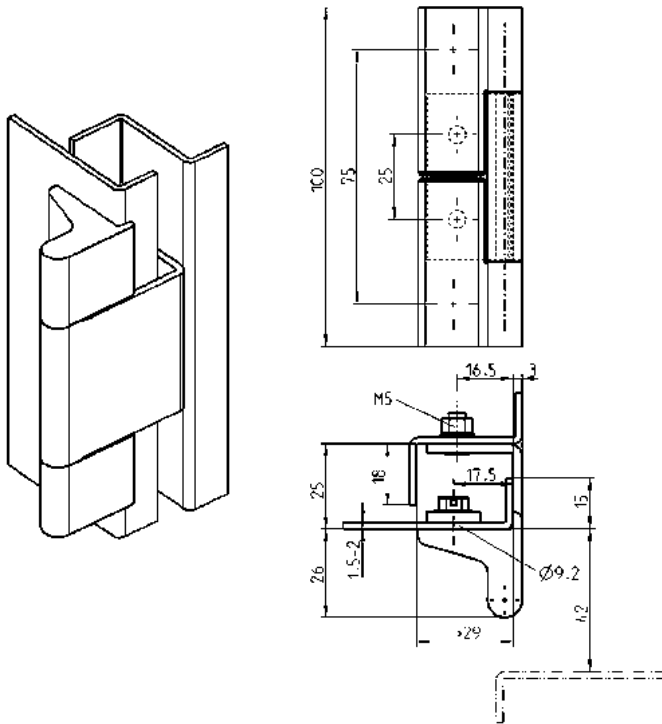


180° hinge part m.s. black; door part zinc die black powder coated;
fixing material m.s. zinc plated

1110-U114

180° hinge PROGRAM 1110

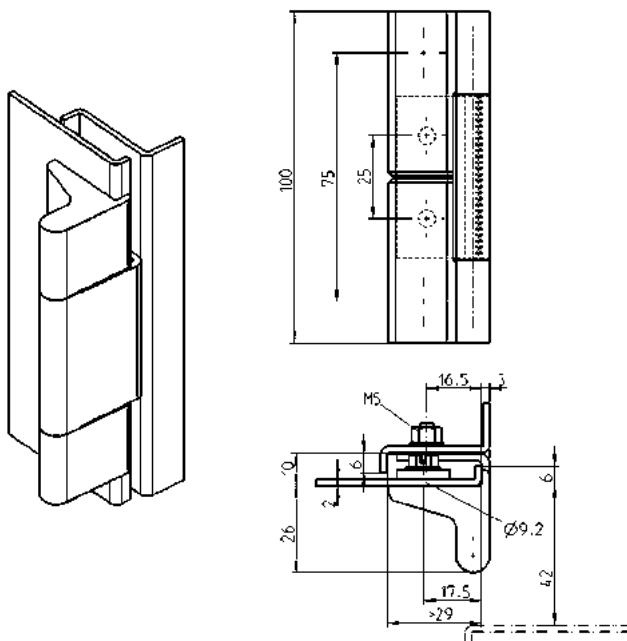
180° hinge for inline cabinets with double doors
for 25 mm door return



180° hinge part m.s. black; door part zinc die black powder coated;
fixing material m.s. zinc plated

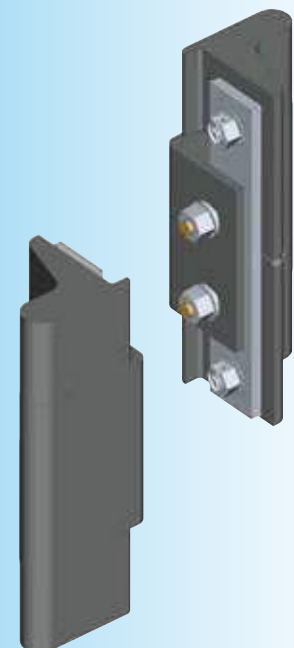
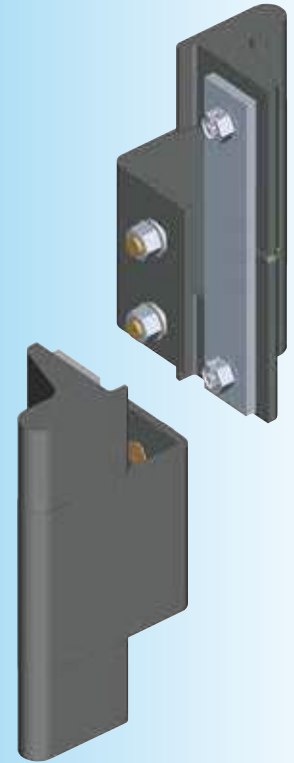
1110-U112

180° hinge for inline cabinets with double doors,
for 10 mm door return



180° hinge part m.s. black; door part zinc die black powder coated;
fixing material m.s. zinc plated

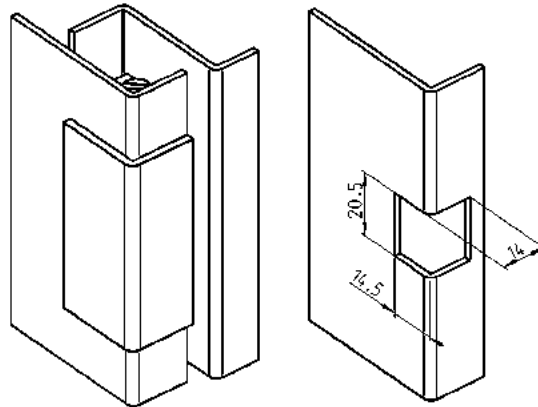
1110-U113



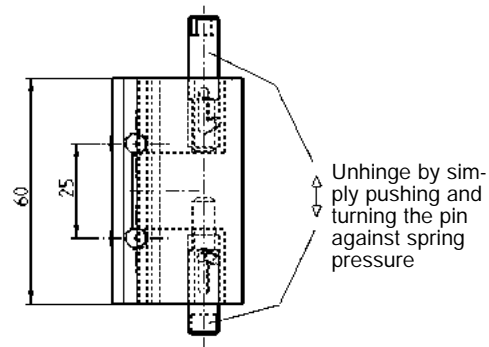
120° hinge with quick fastening PROGRAM 1110

Beschlagteile

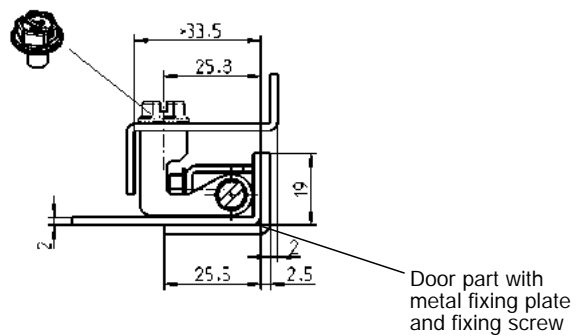
120° hinge
for 25 mm door return
easy door mounting



Cut out



* Vibration proof screw
1000-277-03JB
M6x8



Fixing plate with spikes for earthing

* not included in the scope of supply

120° hinge zinc die black powder coated;
fixing material m.s. zinc plated

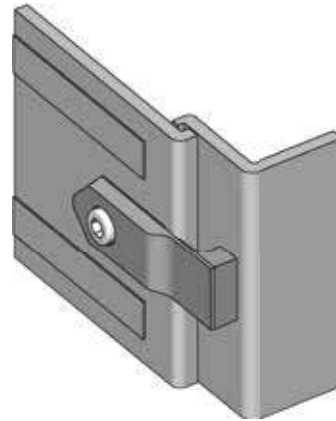
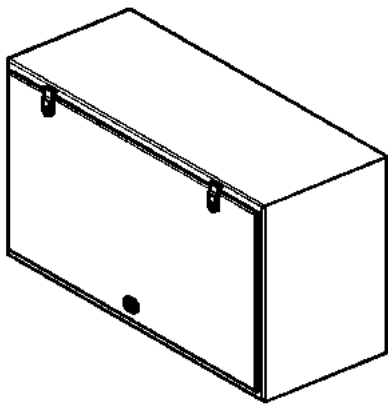
1110-U111

135° integral hinge for light doors and flaps

PROGRAM 1126

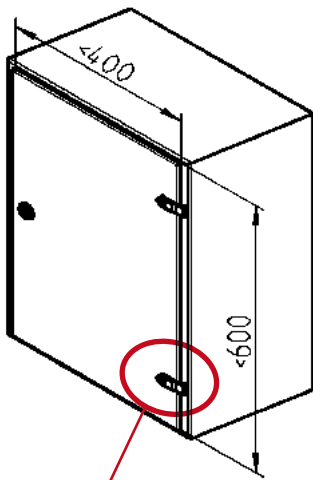
Beschlagteile

Installation situation flap

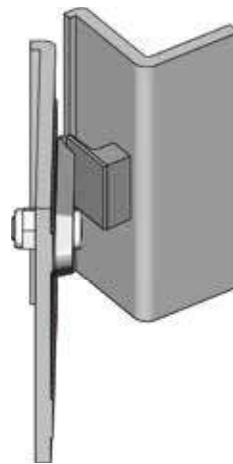


Detail A
Door closed

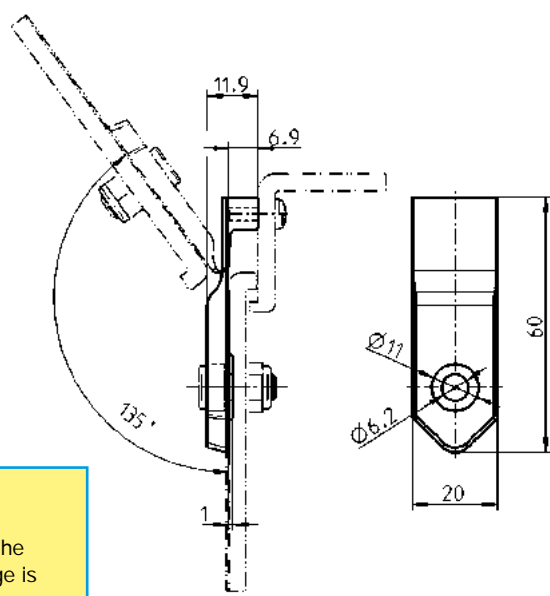
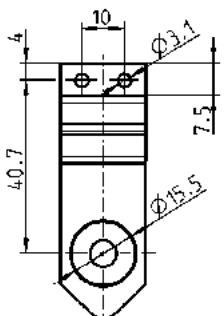
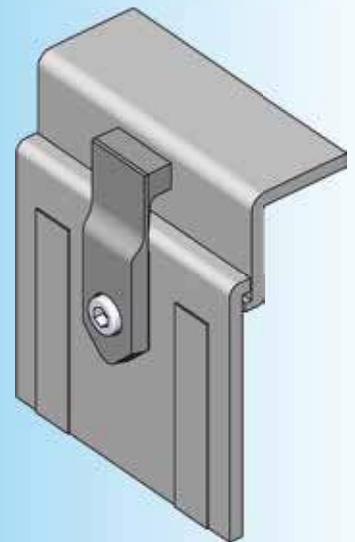
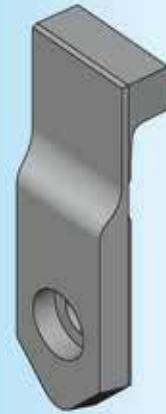
Installation situation door



Detail A



Detail A
Door opened



Product benefits

- special plastic guarantees that the bending axis of the integral hinge is permanently protected against brittleness or failure
- easy to mount
- budget-priced

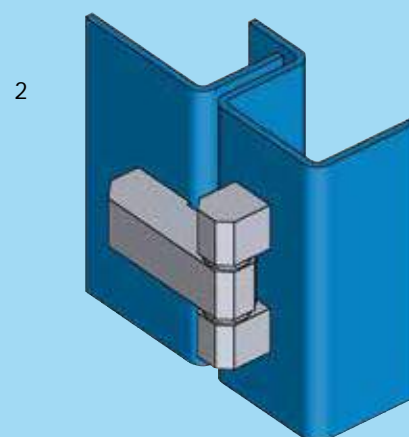
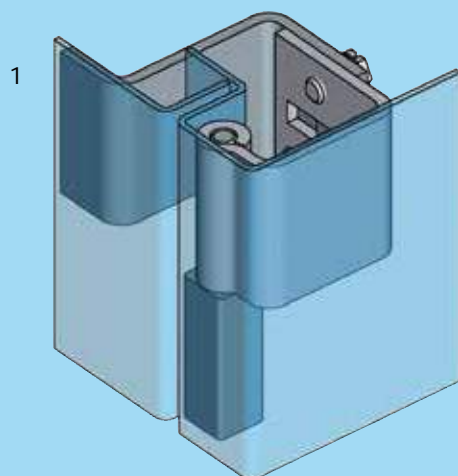
Application:

This integral hinge is suitable for light doors and flaps, with low opening frequency, e. g. of plastic.

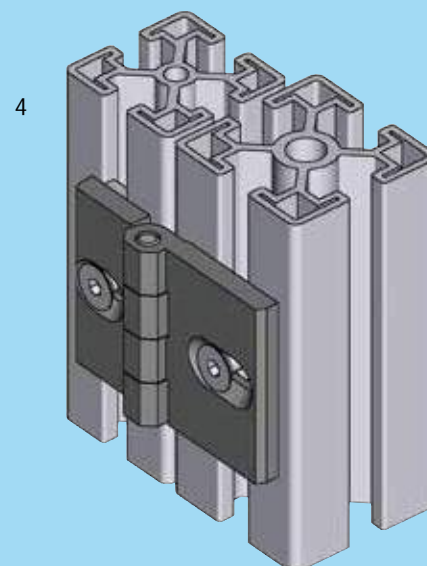
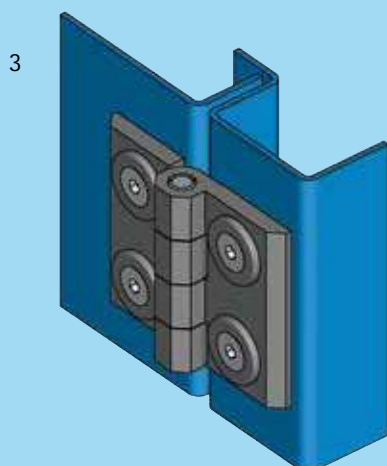
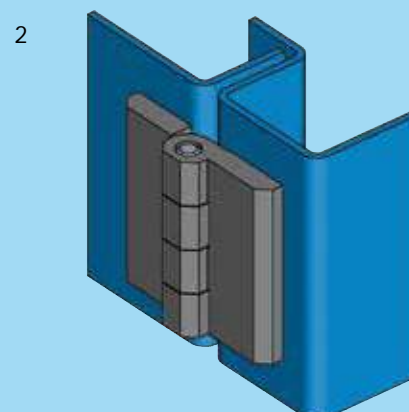
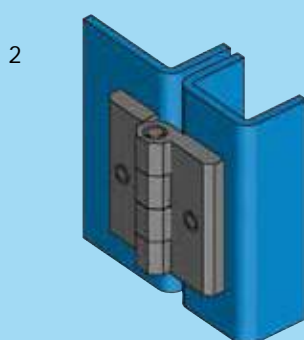
Technical data:

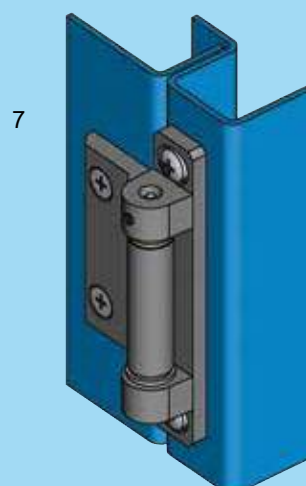
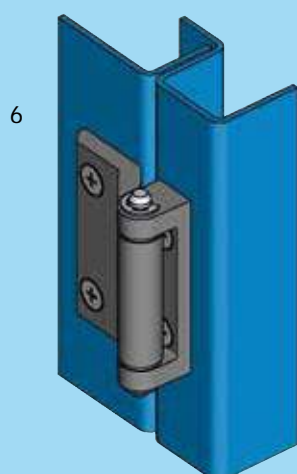
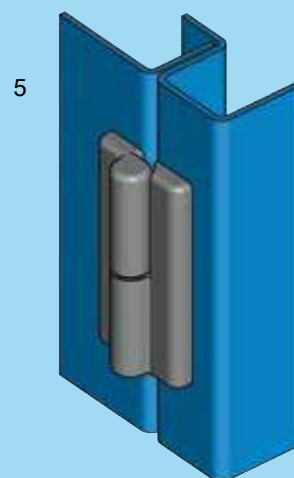
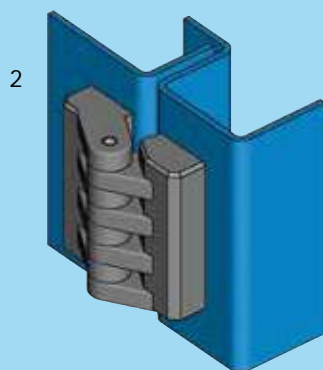
2,000 cycles
at 135° open - close
in case of a load of approx. 2.5 kg
door weight / hinge
(recommended load per
hinge)

Hinge for flush door



Door and housing/frame pictured transparent





- 1 90° and 180° concealed hinge
- 2 180° and 270° prominent hinge
- 3 180° 2D prominent hinge
- 4 180° prominent hinge for aluminium profiles
- 5 180° prominent hinge and lift-off version
- 6 180° prominent hinge
- 7 180° 2D and 3D prominent hinge

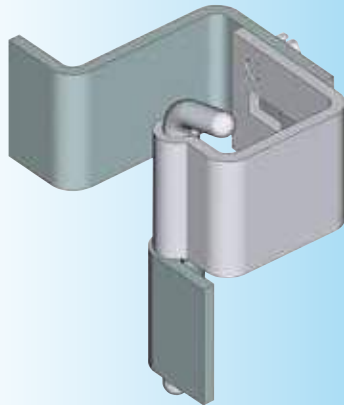
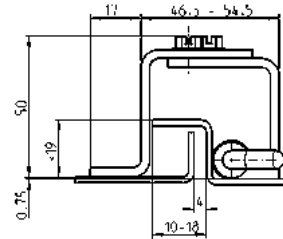
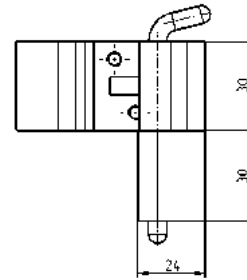
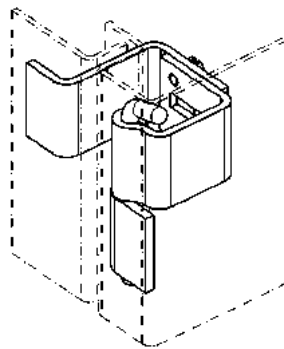
- 4B-120 up to 4B-140
- 4B-160 up to 4B-220, 4B-245
- 4B-215
- 4B-230
- 4B-240
- 4B-280 up to 4B-300
- 4B-248 to 4B-260



4B-100



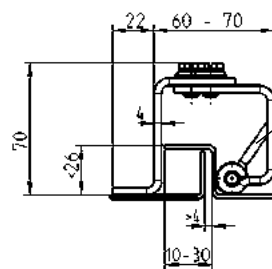
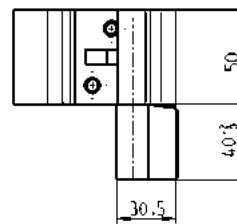
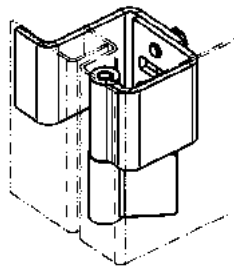
STAINLESS STEEL



Concealed hinge

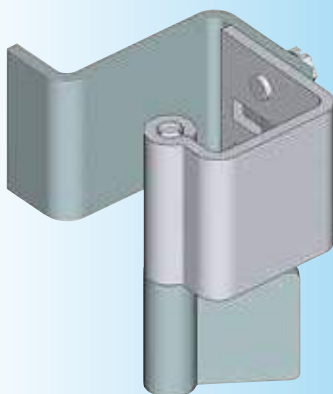
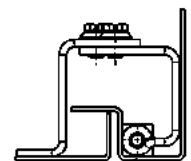
m.s. zinc pl., weld-on part m. s. raw
AISI 304 and AISI 303

1006-U1
1006-U1-PC



Hinge pin with flag

Hinge pin with square



Concealed hinge m.s. zinc pl., weld-on parts m.s. raw

Hinge pin with flag

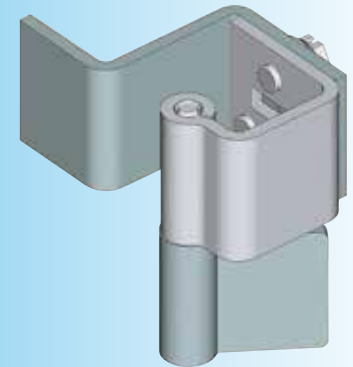
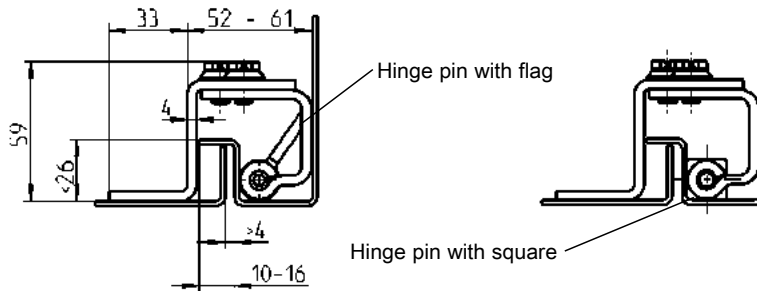
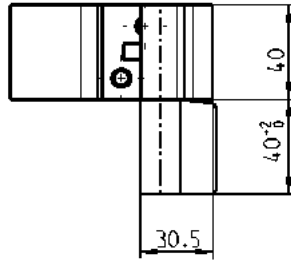
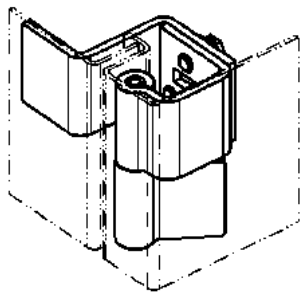
1007-U2

Hinge pin with square (17x50)

1007-U1

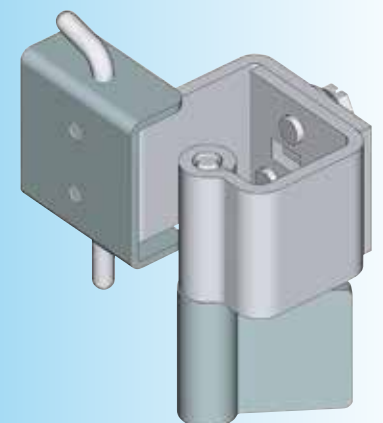
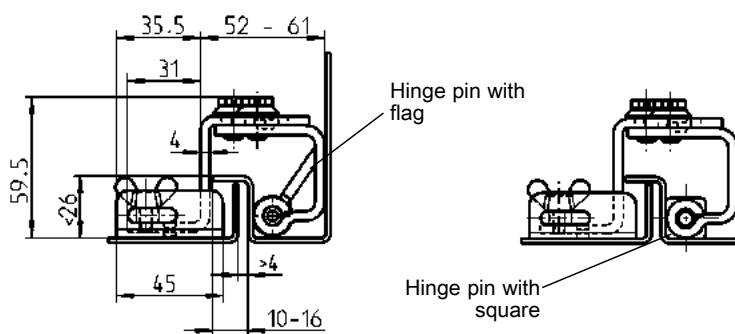
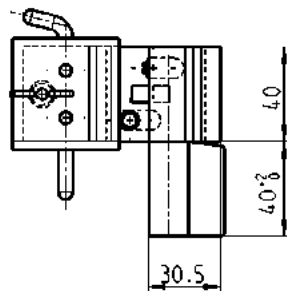
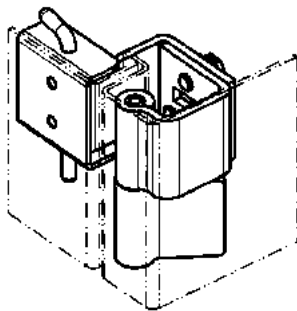
90° concealed hinge

PROGRAM 1046



Concealed hinge m.s. zinc pl., weld-on parts m.s. raw or AISI 304 and AISI 303

	m.s.	AISI 304
Hinge pin with flag	1046-U1	1046-U5
Hinge pin with square (17x50)	1046-U3	-

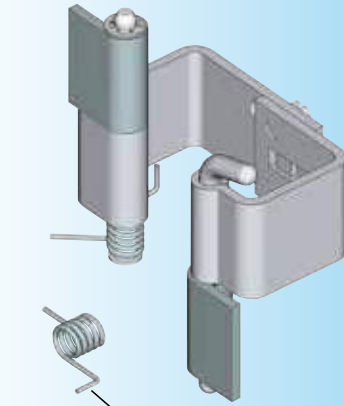


Concealed hinge m.s. zinc pl., weld-on parts m.s. raw

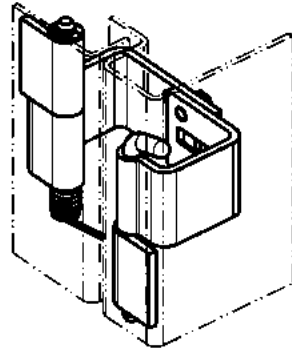
Hinge pin with flag	1046-U2
Hinge pin with square (17x50)	1046-U4

180° concealed hinge PROGRAM 1042, 1043

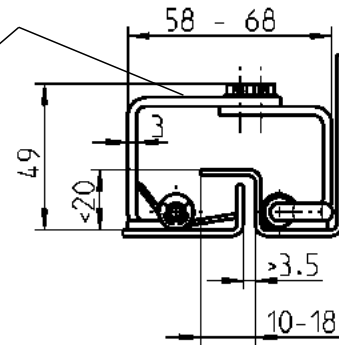
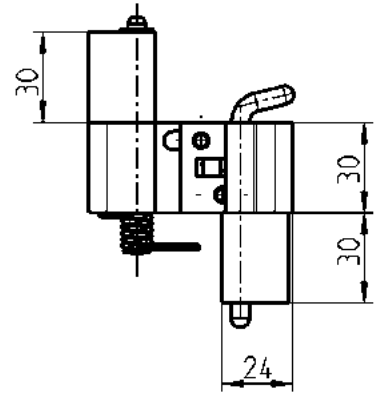
Beschlagteile



Spring for LH-version

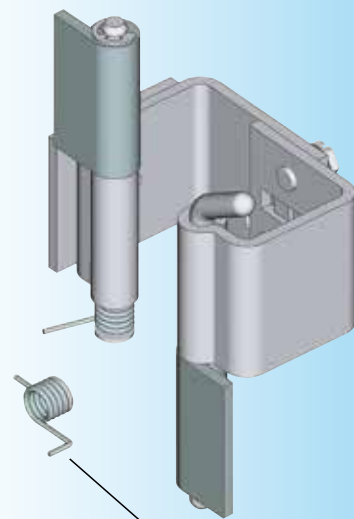


Hinges must be linked

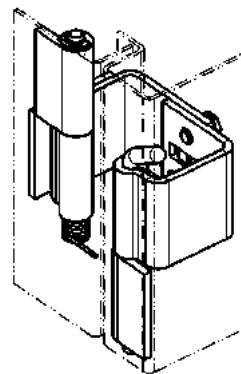


180° concealed hinge m.s. zinc pl., spring material spring steel, weld-on parts m.s.

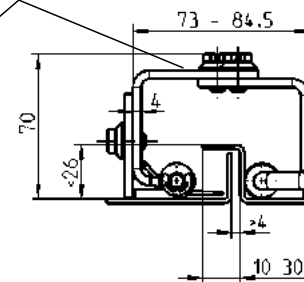
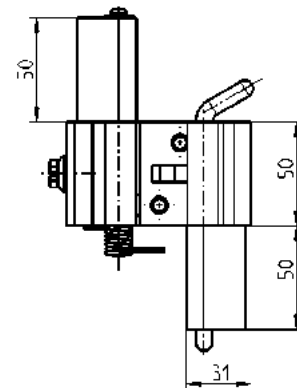
1042-U1



Spring for LH-version



Hinges must be linked

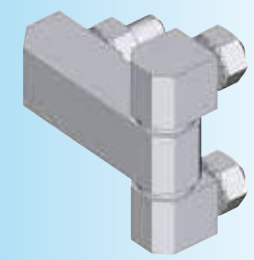
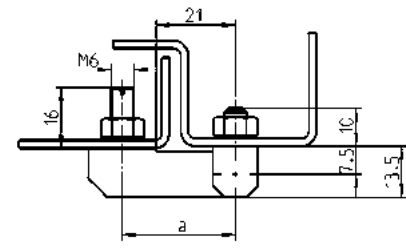
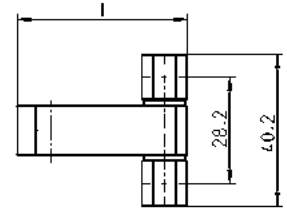
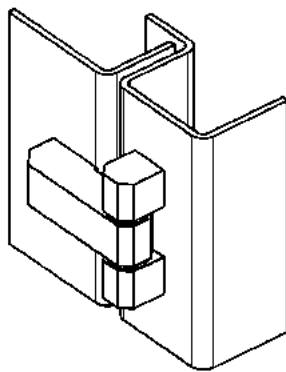


180° concealed hinge m.s. zinc pl., spring material spring steel, weld-on parts m.s.

1043-U1

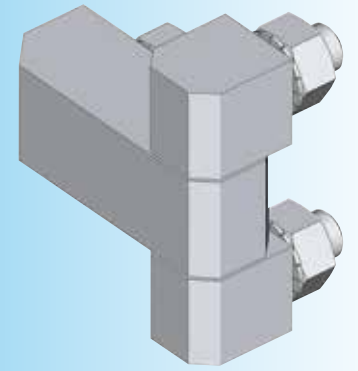
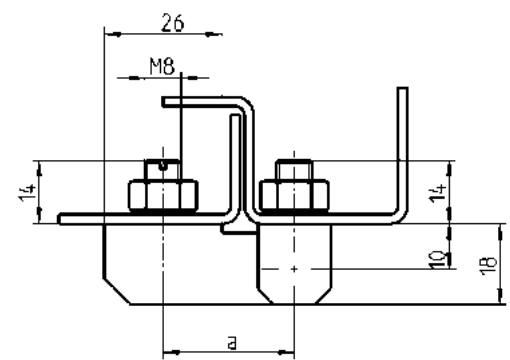
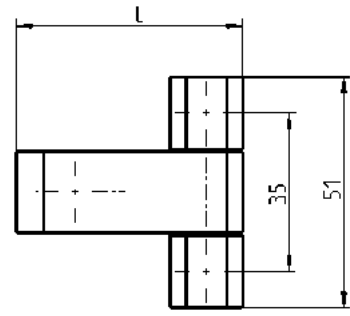
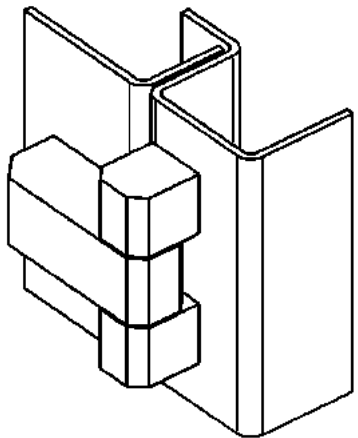
180° screw-on hinge PROGRAM 1039, 1055

Beschlagteile



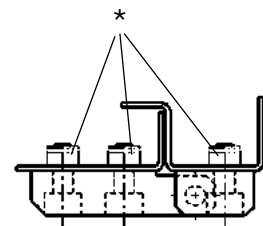
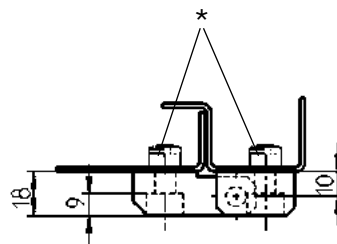
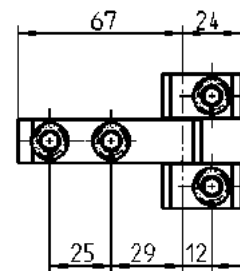
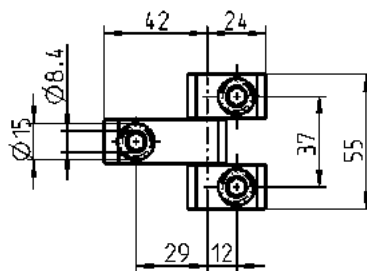
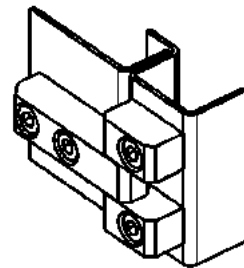
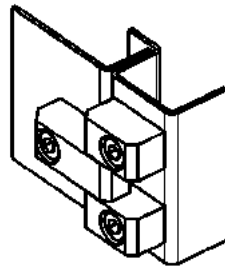
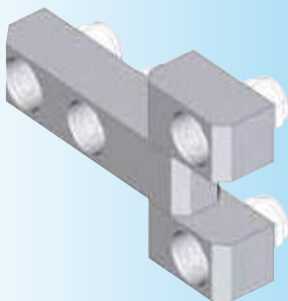
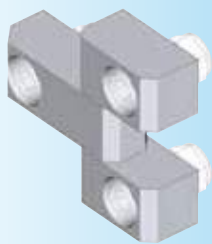
Screw-on hinge m.s. zinc pl., pin and washer brass nickel pl. or stain. steel

L	A	m.s.	AISI 303	AISI 316
45	30	1055-U3	1055-U7	1055-U9
53	38	1055-U4	-	-



Screw-on hinge m.s. zinc pl., pin and washer brass nickel pl. or stain. steel

L	A	m.s.	AISI 303	AISI 316
50	29	1039-U10	1039-U18	1039-U25
61	40	1039-U11	-	-



* not included

Screw-on hinge m.s. zinc pl., pin and washer brass nickel pl.

short middle part with one hole Ø 8,4 mm

1039-U13

short middle part without holes, weld-on part

1039-U14

long middle part with two holes Ø 8,4 mm

1039-U15

180° screw-on torque hinge

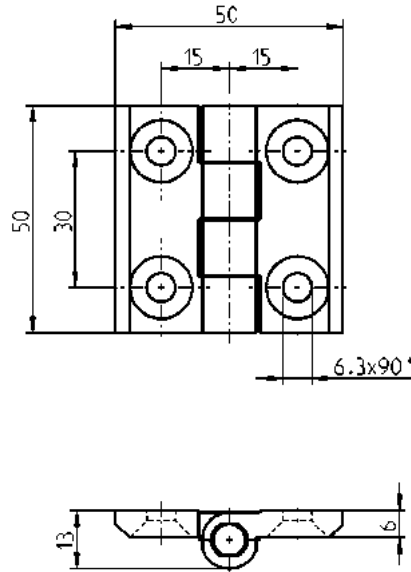
PROGRAM 1056

Beschlagteile



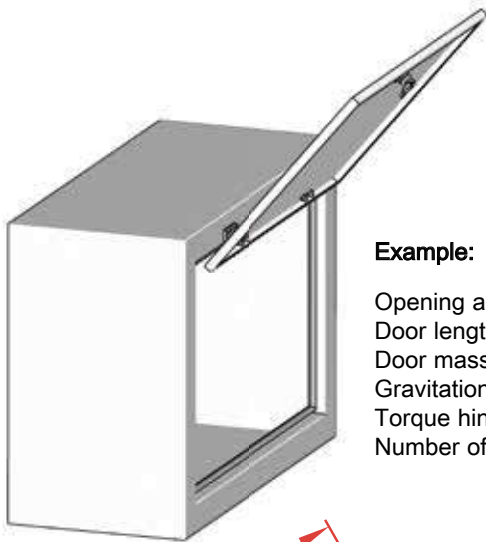
Product benefits

- holds any position continuously at adequate load
- constant torque across 180° adjustment range
- same torque while opening and closing
- compatible with all hinges of the 1056 program with identical cut out
- can replace door stops, cover stays or gas springs depending on installation location



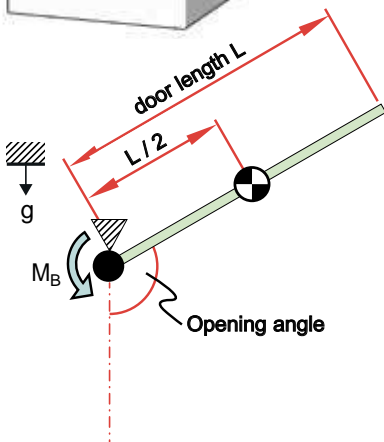
Dimensioning / Calculation:

The number of hinges in case of covers depends on the size and the weight of the cover. We are pleased to help you with the dimensioning of the hinges on request.



Example:

Opening angle: $\alpha = 120^\circ$
 Door length: $L = 0,4 \text{ m}$
 Door mass: $m = 2 \text{ kg}$
 Gravitational pull: $g = 9,81 \text{ m/s}^2$
 Torque hinge: $M = 2 \text{ Nm}$
 Number of hinges: $n = ?$

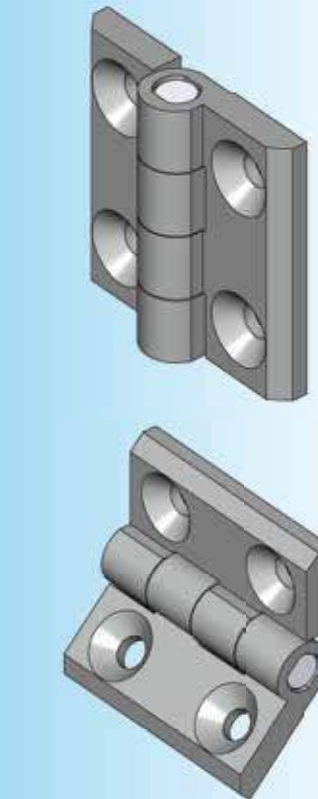


Formula:

$$\text{Total } M = \left(\frac{L \times m \times g \times \sin \alpha}{2} \right)$$

Result:

3.4 Nm = 2 hinges



Torque hinge

The hinge can be set continuously in any position. There it remains in the same position. The torque is the same during opening and closing.

Application:

This torque hinge is suitable for doors and covers.

Technical data:

10,000 cycles
 at 180° open - close

Also available on request with 1.0 Nm

180° screw-on torque hinge zinc-die black powder-coated;
 two torque Units m.s. nickel-plated

Nm	Tolerance ± %	
2.0	25	1056-U110

Further parts see page
 – 2D-nut

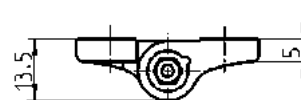
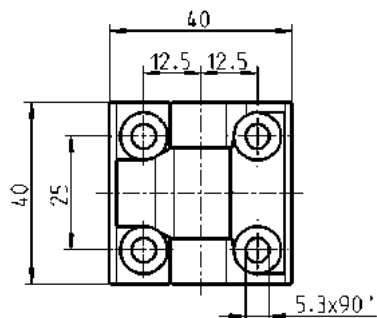
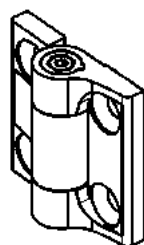
12E-120

180° screw-on torque hinge with adjustment function

PROGRAM 1056

Product benefits

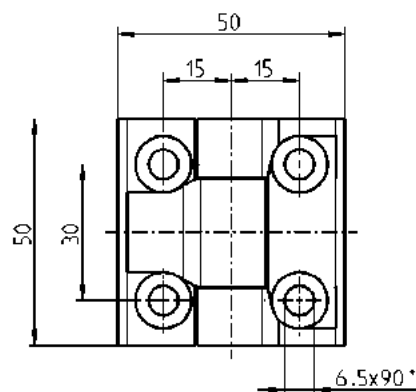
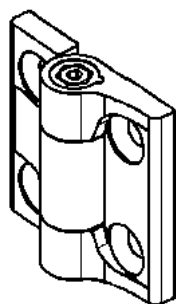
- adjustable torque
- holds any position continuously at adequate load
- constant torque across 180° adjustment range
- same torque while opening and closing
- compatible with all hinges of the 1056 program with identical cut out
- can replace door stops, cover stays or gas springs depending on installation location



180° screw-on torque hinge zinc-die black powder-coated for countersunk screw M5; friction cone polyacetal POM; screw and nut m.s. zinc-plated

Nm	max. tightening torque of screw in Nm
to ~ 2	0,5

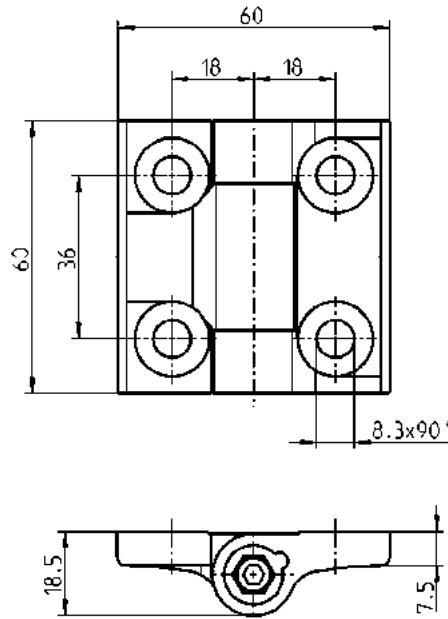
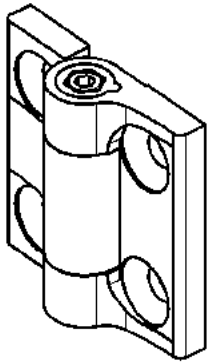
1056-U6-01



180° screw-on torque hinge zinc-die black powder-coated for countersunk screw M6 (2D nut can be used); friction cone polyacetal POM; screw and nut m.s. zinc-plated

Nm	max. tightening torque of screw in Nm
to ~ 4	0,75

1056-U10-01



180° screw-on torque hinge zinc-die black powder-coated for countersunk screw M8; friction cone polyacetal POM; screw and nut m.s. zinc-plated

Nm	max. tightening torque of screw in Nm	
to ~ 6,5	1,5	1056-U14-01

Dimensioning / Calculation:

The number of hinges in case of covers depends on the size and the weight of the cover. We are pleased to help you with the dimensioning of the hinges on request.

Example:

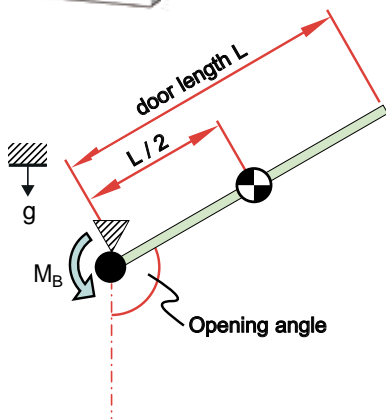
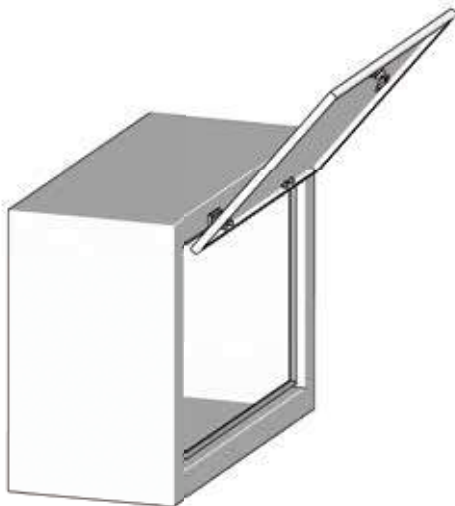
- Opening angle: $\alpha = 120^\circ$
- Door length: $L = 0,8 \text{ m}$
- Door mass: $m = 3,5 \text{ kg}$
- Gravitational pull: $g = 9,81 \text{ m/s}^2$
- Torque hinge: $M = 6,5 \text{ Nm}$
- Number of hinges: $n = ?$

Formula:

$$\text{Total } M = \left(\frac{L \times m \times g \times \sin \alpha}{2} \right)$$

Result:

11.9 Nm = 2 hinges of item no. 1056-U14-01



Torque hinge

The hinge can be set continuously in any position. There it remains in the same position. The torque is the same during opening and closing.

Application:

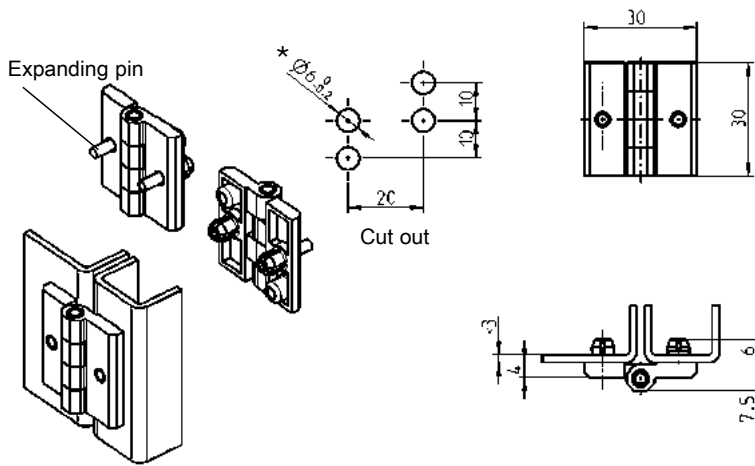
This torque hinge is suitable for doors and covers.

Further parts see page

- 2D-nut 12E-120
(only for 1056-U10-01)

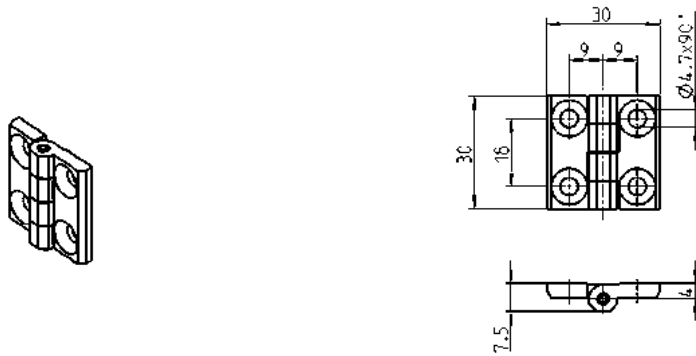
180° screw-on hinge

PROGRAM 1056



Hinge, hinge pin and expanding pins polyamide black

1056-U32



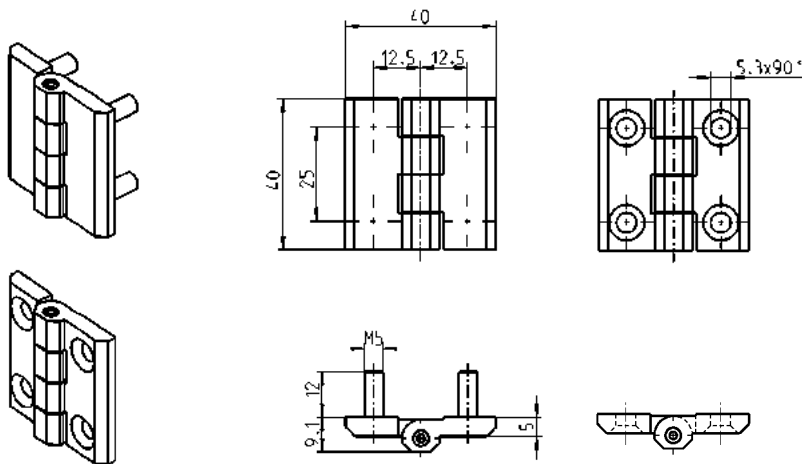
Screw-on hinge for countersunk screw M4; zinc-die surface at buyer's option; hinge pin stainless steel

black powder coated

1056-U60

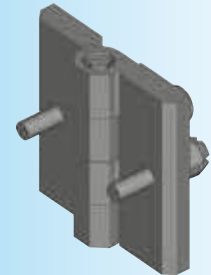
chrome plated

1056-U61

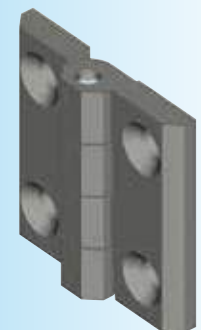
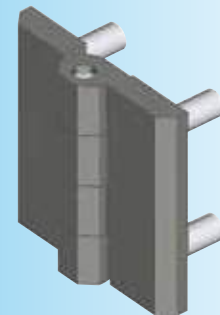
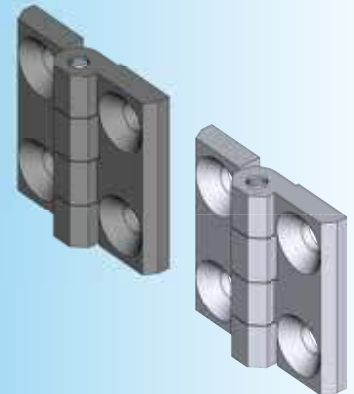


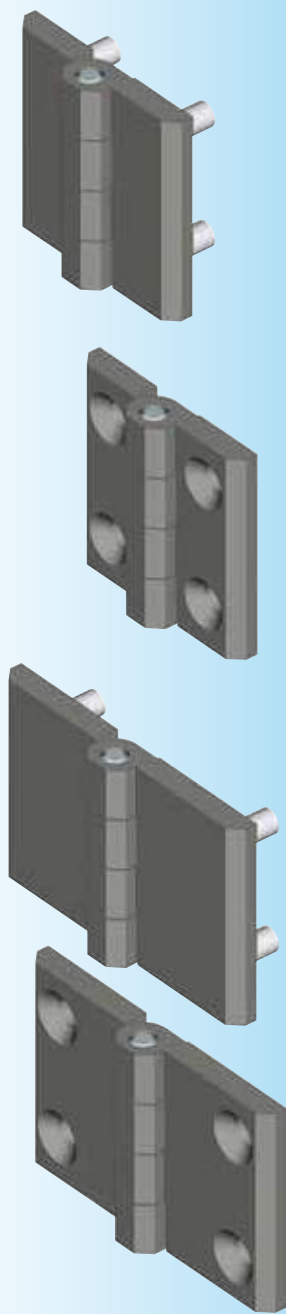
Screw-on hinge zinc die, Polyamide black or stainless steel; grub screw M5 stainless steel

	Pin	with threaded studs M5	for countersunk screw M5
zinc die chrome pl.	Stainless steel	1056-U3	1056-U5
zinc die black p.c.	Stainless steel	1056-U4	1056-U6
polyamide black	Stainless steel	-	1056-U30
polyamide black	polyamide	-	1056-U41
AISI 316	Stainless steel	-	1056-U5-PH



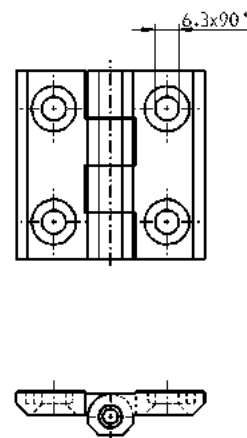
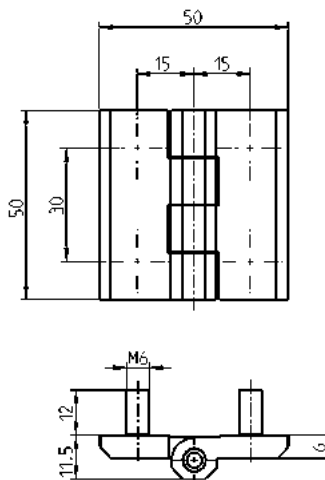
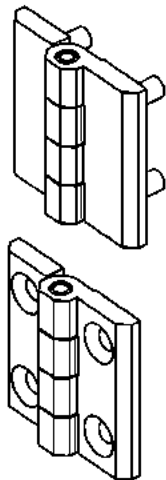
* Attention:
The indicated dimension is the final dimension, please observe in case of surface coatings.





180° screw-on hinge

STAINLESS STEEL



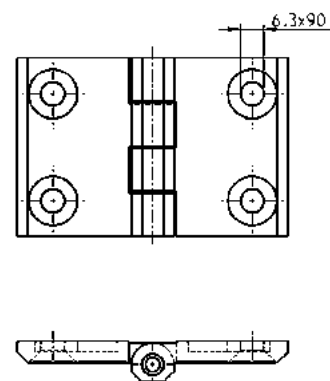
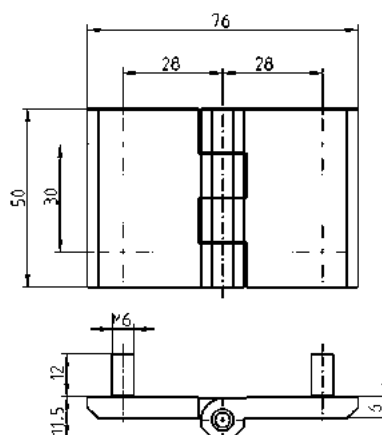
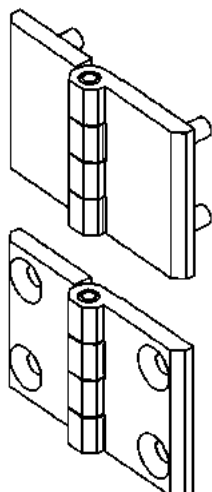
Screw-on hinge zinc die, polyamide black or stainless steel; grub screw M6 stainless steel

	Pin	with threaded studs M6	for countersunk screw M6 (2D-nut possible)
zinc die chrome pl.	Stainless steel	1056-U7	1056-U9
zinc die black p.c.	Stainless steel	1056-U8	1056-U10
polyamide black	Stainless steel	-	1056-U31
polyamide black	polyamide	-	1056-U42
AISI 316	Stainless steel	-	1056-U9-PH



270° screw-on hinge

STAINLESS STEEL



Screw-on hinge zinc-die or stainless steel; threaded stud M6 stainless steel

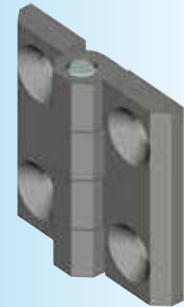
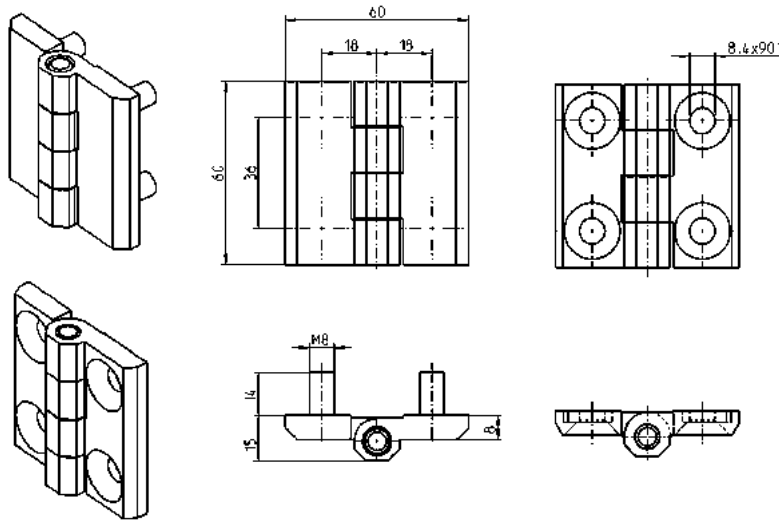
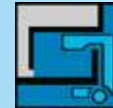
	Pin	with threaded studs M6	for countersunk screw M6 (2D-nut possible)
zinc die chrome pl.	Stainless steel	1056-U15	1056-U17
zinc die black p.c.	Stainless steel	1056-U16	1056-U18
AISI 316	Stainless steel	-	1056-U17-PH

Further parts see page
- 2D-nut

12E-120

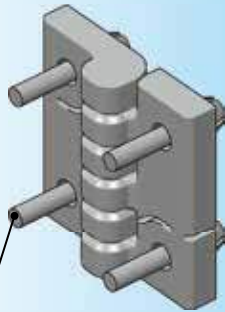
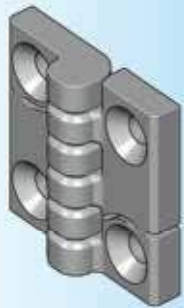
180° screw-on hinge PROGRAM 1056

Beschlagteile

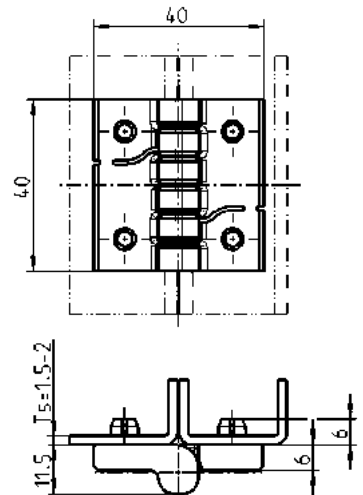
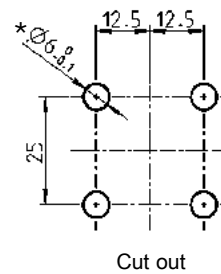
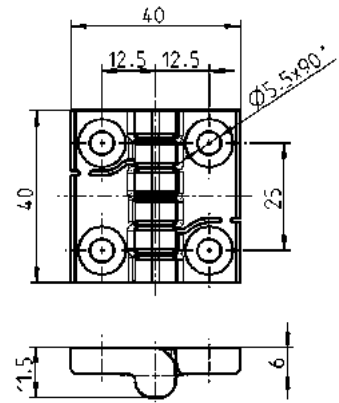
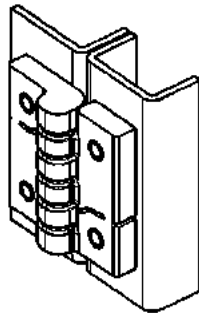
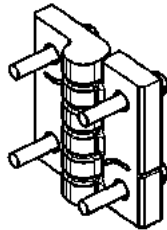
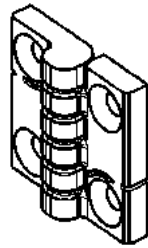


Screw-on hinge zinc-die or stainless steel; threaded stud M8 stainless steel

	Pin	with threaded studs M8	for countersunk screw M8
zinc die chrome pl.	Stainless steel	1056-U11	1056-U13
zinc die black p.c.	Stainless steel	1056-U12	1056-U14
AISI 316	Stainless steel	-	1056-U13-PH



Expanding pin



* Attention:
The indicated dimension is the final dimension, please observe in case of surface coatings.

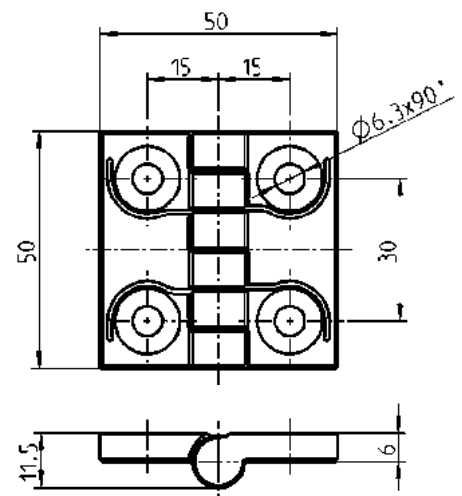
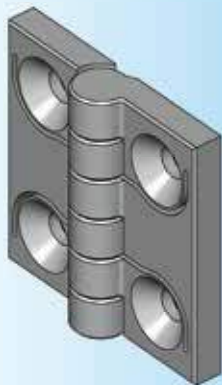
Clip-in hinge for countersunk screw M5 polyamide GF colour as requested, unassembled

black	1056-U66
silver	1056-U66-HW

Clip-in hinge with expansion pins polyamide GF black, unassembled

1056-U67

Mounting within seconds



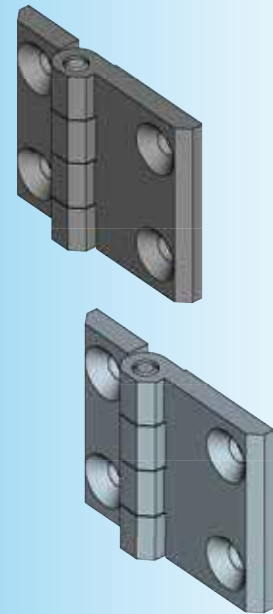
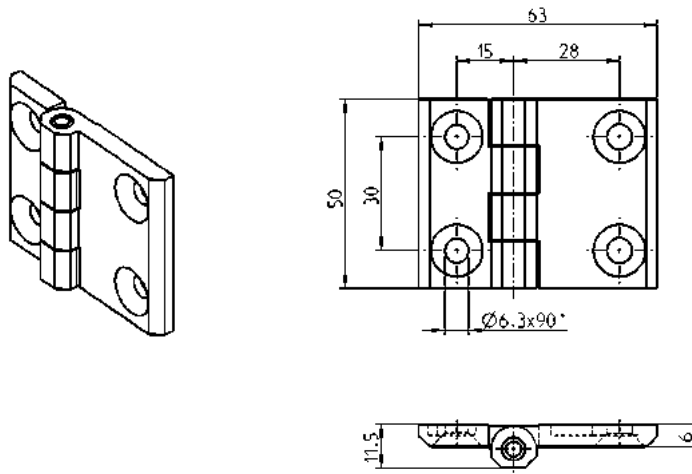
Clip-in hinge for countersunk screw M6 polyamide GF colour as requested, unassembled

black	1056-U68
silver	on request

180° screw-on hinge

PROGRAM 1056

Beschlagteile



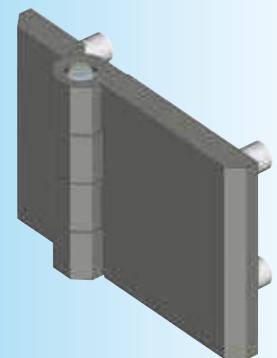
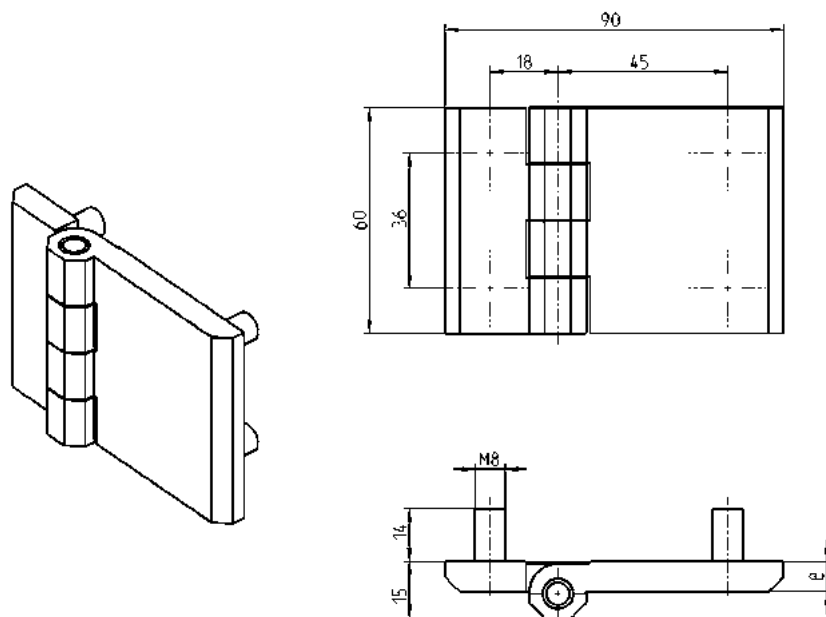
Screw-on hinge zinc die or stainless steel, pin stainless steel, for countersunk screw M6 (2D-nut possible)

zinc die black powder coated

1056-U59

AISI 316

1056-U59-PH



Screw-on hinge zinc die, threaded studs M8 stainless steel

chrome plated

1056-U19

black powder coated

1056-U20

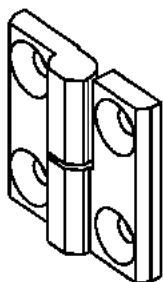
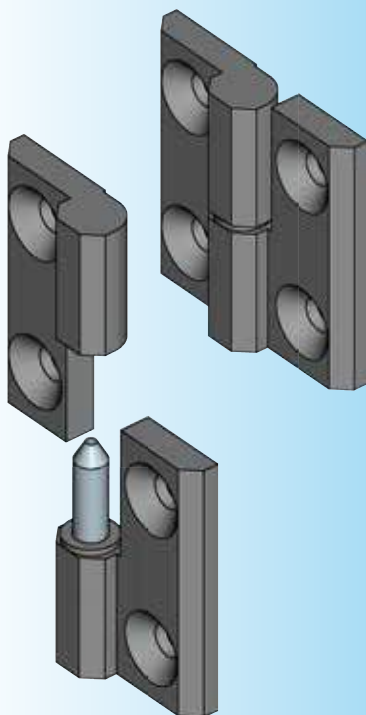
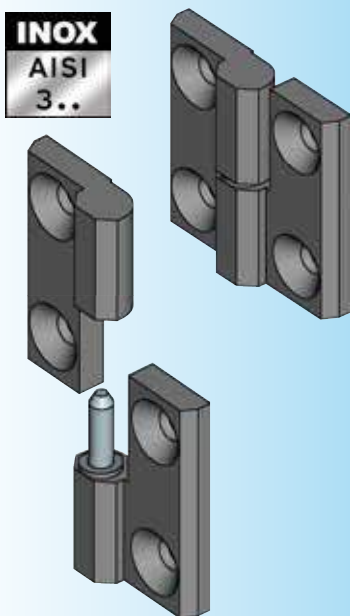
Further parts see page
– 2D-nut

12E-120

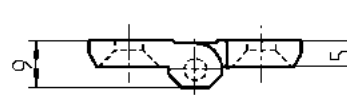
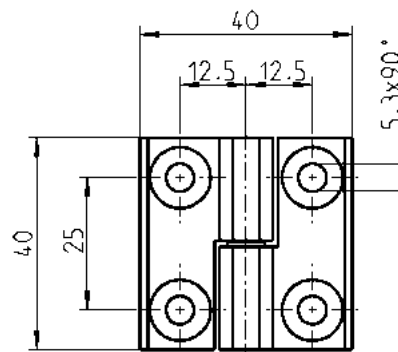
180° screw-on hinge PROGRAM 1056

Beschlagteile

Info
1 Quarter turns
2 Rod controls
3 Locking systems
4 Hinges



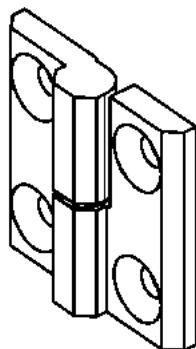
Right-hand version shown
Left-hand version is a mirror-image



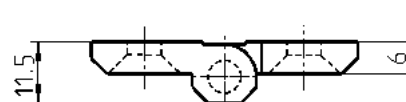
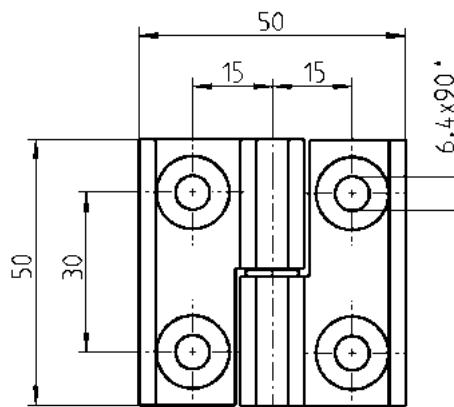
Screw-on hinge zinc die black powder coated or AISI 316,
washer polyamide black or teflon, pin stainless steel

for countersunk screw M5

	Zinc die	AISI 316
LH version	1056-U54	1056-U54-PH
RH version	1056-U53	1056-U53-PH



Right-hand version shown
Left-hand version is a mirror-image



Screw-on hinge zinc die black powder coated or AISI 316,
washer polyamide black or teflon, pin stainless steel

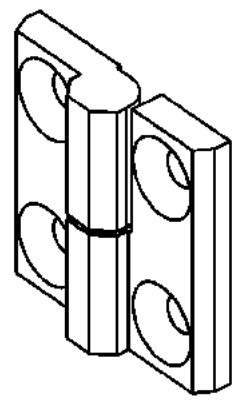
for countersunk screw M6
(2D-nut possible)

	Zinc die	AISI 316
LH version	1056-U56	1056-U56-PH
RH version	1056-U55	1056-U55-PH

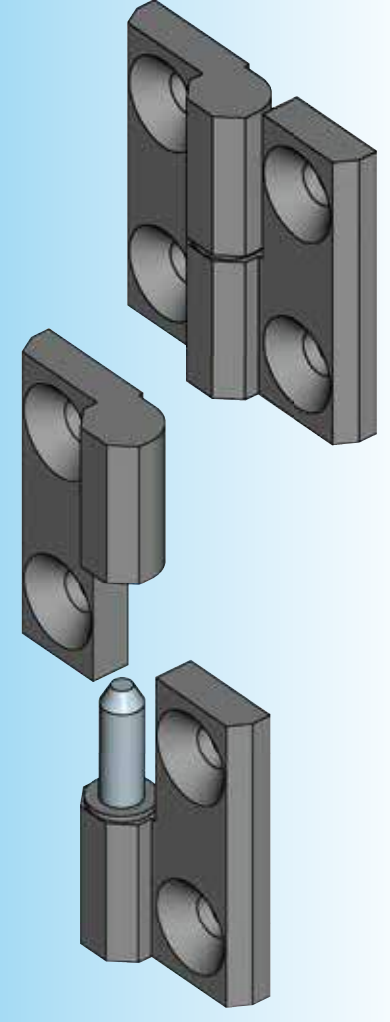
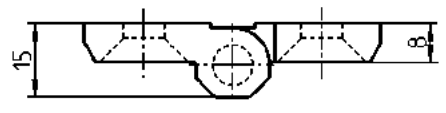
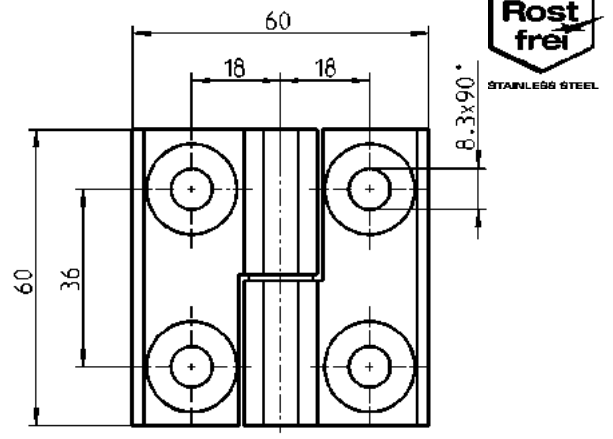
Further parts see page
– 2D-nut

12E-120

180° screw-on hinge PROGRAM 1056



Right-hand version shown
Left-hand version is a mirror-image



Screw-on hinge zinc die black powder coated or AISI 316, washer polyamide black or teflon, pin stainless steel for countersunk screw M8		
	Zinc die	AISI 316
LH version	1056-U58	1056-U58-PH
RH version	1056-U57	1056-U57-PH

180° screw-on hinge PROGRAM 1056

Beschlagteile

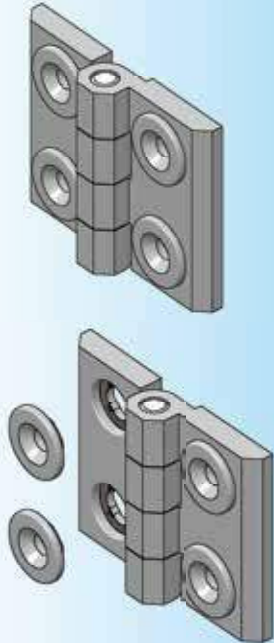
Info

1 Quarter turns

2 Rod controls

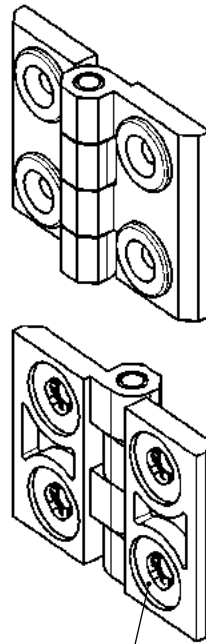
3 Locking systems

4 Hinges

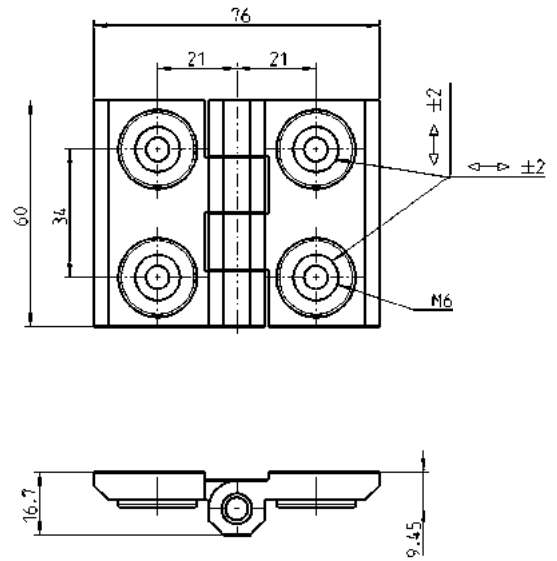


Adjustable ± 2 mm
in the horizontal
and vertical direction

180° 2D-screw-on hinge



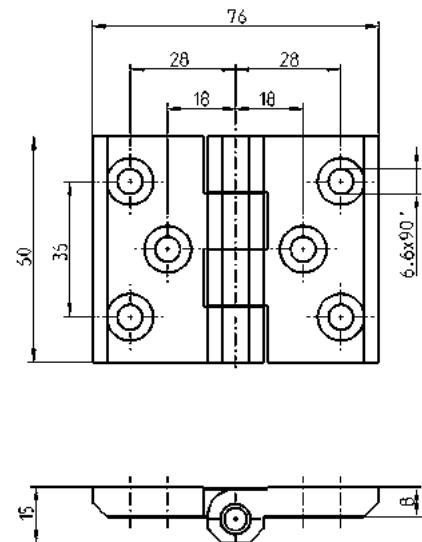
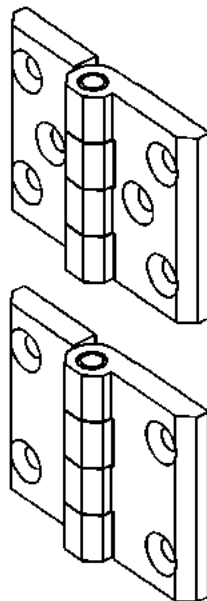
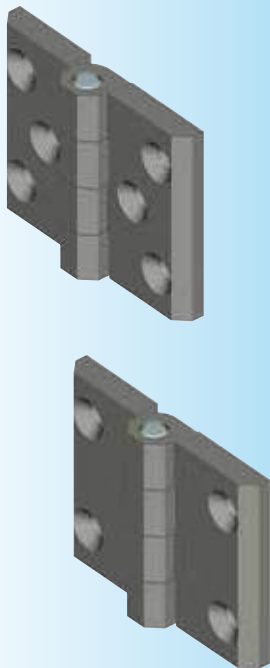
Recess for rivet nut M6 customary in trade



2D screw-on hinge zinc die black powder coated; pin stainless steel

1056-U27

180° screw-on hinge



Further parts see page
– 2D-nut

12E-120

Screw-on hinge zinc die black powder coated; pin stainless steel

with 4 countersunk holes for screw M6 (2D-nut possible)

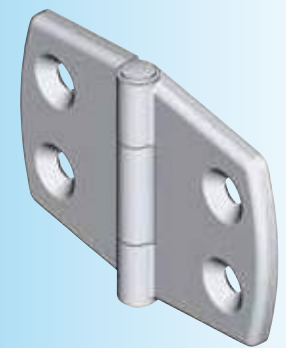
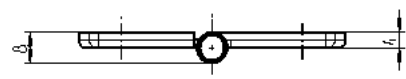
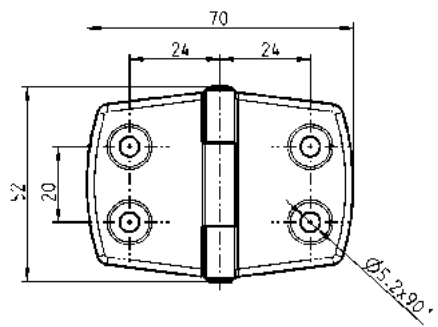
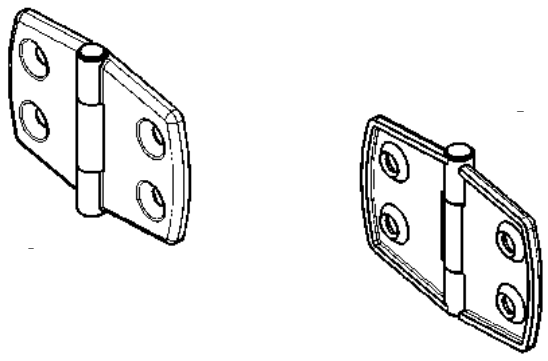
1056-U29

with 6 countersunk holes for screw M6 (2D-nut possible)

1056-U28

180° screw-on hinge
PROGRAM 6020

Beschlagteile



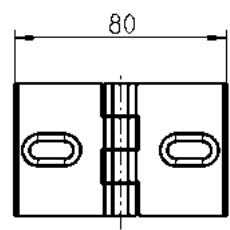
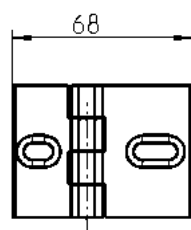
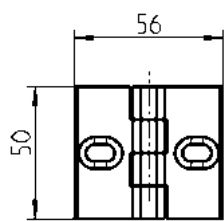
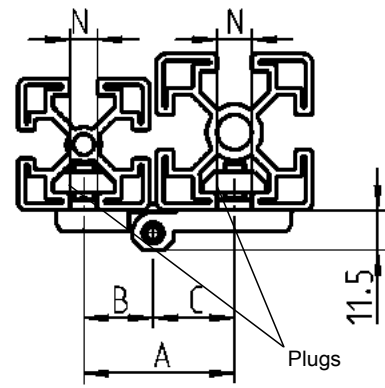
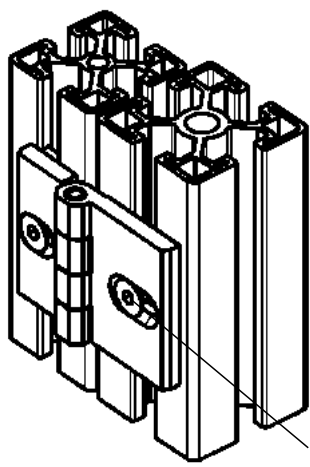
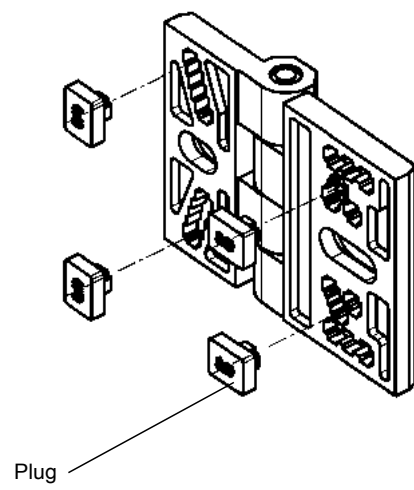
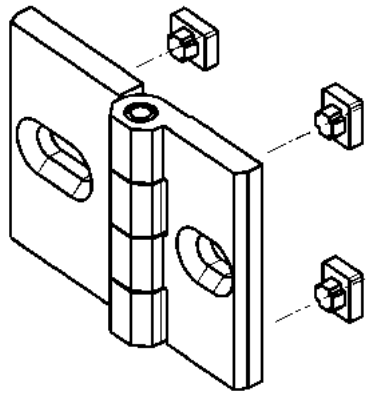
Screw-on hinge for countersunk screw small head M5 AISI 316 polished

6020-U1098-PP

small head = DIN ISO 2009, 2010, 7046-1, 7046-2, 7047

Hinge for aluminium profiles

PROGRAM 1056

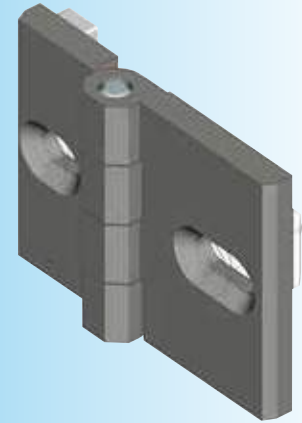


Hinge for aluminium profiles zinc die black p.c., pin stainless steel and plugs zinc die

Plugs	8x10	1056-U21	Plugs	8x10	1056-U22	Plugs	8x10	1056-U23
	7x10	1056-U24		7x10	1056-U25		7x10	1056-U26

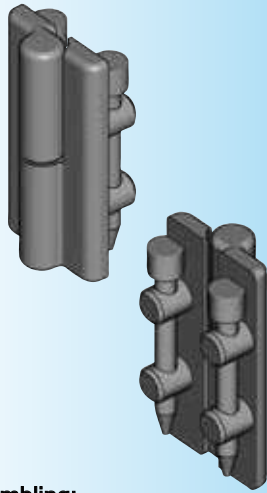


- for location of socket for plug please refer to rear of hinge
- can be used for different profiles
- this hinge offers versatility due to several location options for plugs on the rear
- for four plugs, supplied with each of the hinges, provide protection against twisting and are suitable for slots of N = 8 and 10 or N = 7 and 10 mm (other N-dimensions on request)

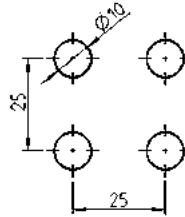
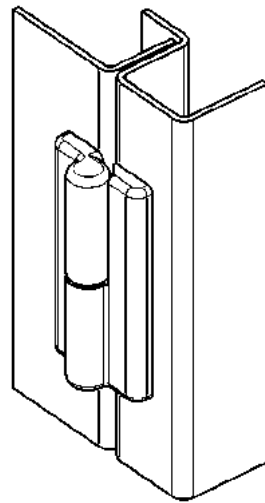
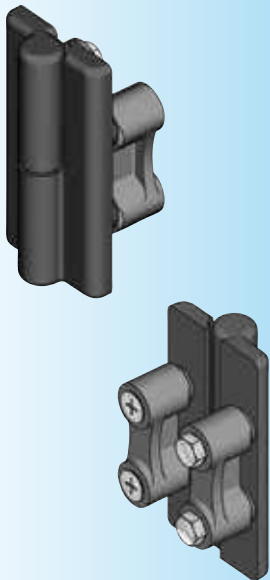


Plugs 8x10 1056-U21 Plugs 7x10 1056-U24			Plugs 8x10 1056-U22 Plugs 7x10 1056-U25			Plugs 8x10 1056-u23 Plugs 7x10 1056-U26		
A	socket		A	socket		A	socket	
	B	C		B	C		B	C
33	16,5	16,5	37,5	16,5	21	42	21	21
34	16,5	17,5	38	16,5	21,5	42,5	21	21,5
35	16,5	18,5	40	16,5	23,5	44,5	21	23,5
35,5	16,5	19	42,5	16,5	26	47	21	26
36,5	16,5	20	44	16,5	27,5	48,5	21	27,5
35	17,5	17,5	47,5	16,5	31	52	21	31
36	17,5	18,5	38,5	17,5	21	43	21,5	21,5
36,5	17,5	19	39	17,5	21,5	45	21,5	23,5
37,5	17,5	20	41	17,5	23,5	47,5	21,5	26
37	18,5	18,5	43,5	17,5	26	49	21,5	27,5
37,5	18,5	19	45	17,5	27,5	52,5	21,5	31
38,5	18,5	20	48,5	17,5	31	47	23,5	23,5
38	19	19	39,5	18,5	21	49,5	23,5	26
39	19	20	40	18,5	21,5	51	23,5	27,5
40	20	20	42	18,5	23,5	54,5	23,5	31
			44,5	18,5	26	52	26	26
			46	18,5	27,5	53,5	26	27,5
			49,5	18,5	31	57	26	31
			40	19	21	55	27,5	27,5
			40,5	19	21,5	58,5	27,5	31
			42,5	19	23,5	62	31	31
			45	19	26			
			46,5	19	27,5			
			50	19	31			
			41	20	21			
			41,5	20	21,5			
			43,5	20	23,5			
			46	20	26			
			47,5	20	27,5			
			51	20	31			

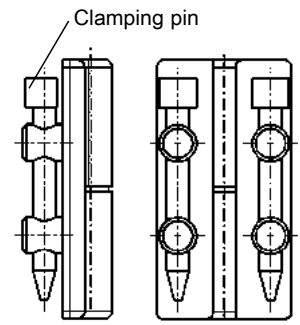
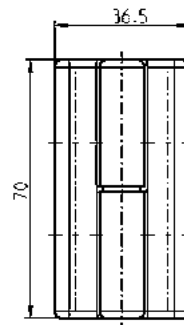
* not included



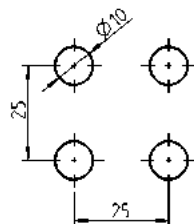
Assembling:
Hinge is fixed by driving in the polyamide pins. The stripping force in Z direction is 1500 N.



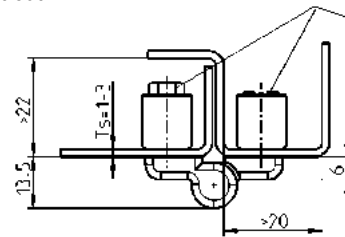
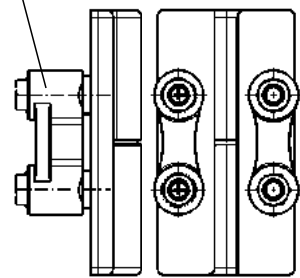
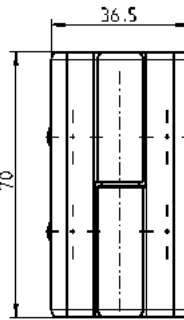
Cut out



Spacer plate has to be ordered sep. for deviating door thicknesses (one plate per clamping bar)



Cut out



* Hexagon screw M5x12
* Hexagon screw small head M5x12

Hinge with clamping pin zinc die black powder coated or polyamide GF black; clamping pin Polyamide GF black, pin stainless steel

	Zinc die	polyamide
Ts = 1.5 RH	-	1056-U49
Ts = 1.5 LH	-	1056-U50
Ts = 2.0 RH	1056-U35	-
Ts = 2.0 LH	1056-U33	-

Hinge with fastening bow zinc die black powder coated; pin stainless steel

RH	1056-U44
LH	1056-U43

Support plate 304 (1x per pin fixing)

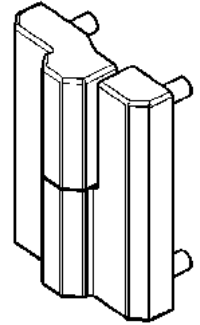
Hinge for Ts	change into Ts	
1,5	1,0	1110-39-02
2,0	1,0	1110-39-03
2,0	1,5	1110-39-02

* not included

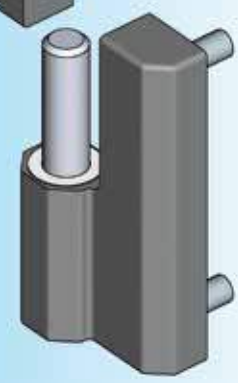
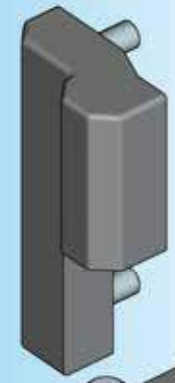
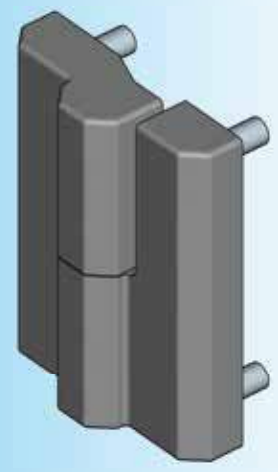
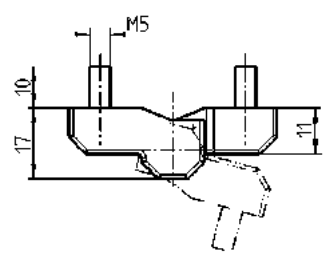
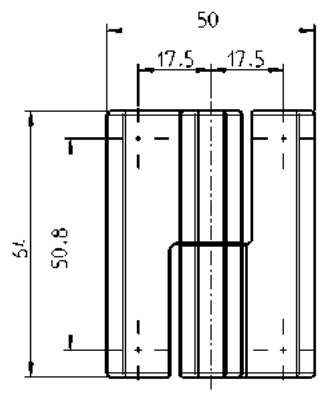
small head = DIN ISO 2009, 2010, 7046-1, 7046-2, 7047

160° screw-on hinge PROGRAM 1056

Beschlagteile

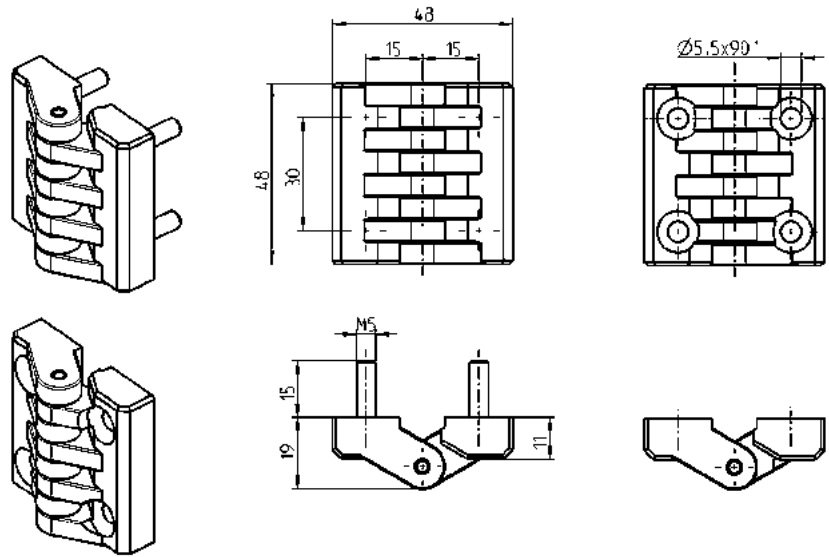
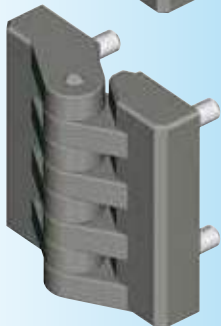
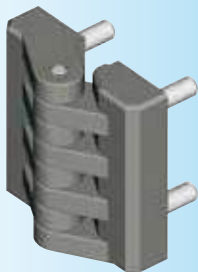
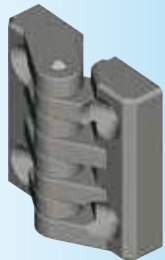


Right-hand version shown
Left-hand version is a mirror-image



Screw-on hinge zinc die black powder coated or chrome plated; washer Teflon white; hinge pin m.s. zinc plated

	black powder coated	chrome plated
LH version	1056-U62	1056-U64
RH version	1056-U63	1056-U65



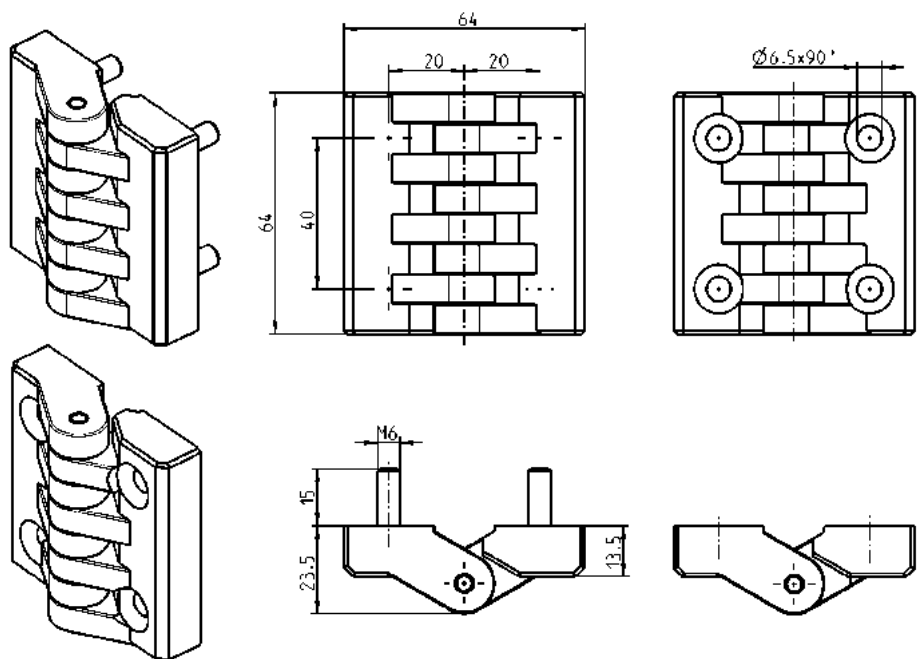
Screw-on hinge polyamide GF black; pin m.s. zinc plated

for countersunk screw M5

1056-U37

with grub screw M5

1056-U38



Screw-on hinge polyamide GF black; pin m.s. zinc plated

for countersunk screw M6 (2D-nut possible)

1056-U39

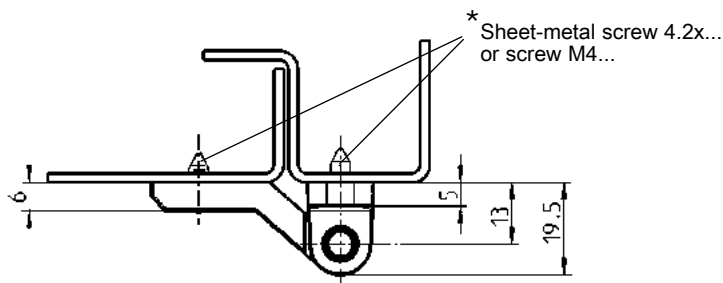
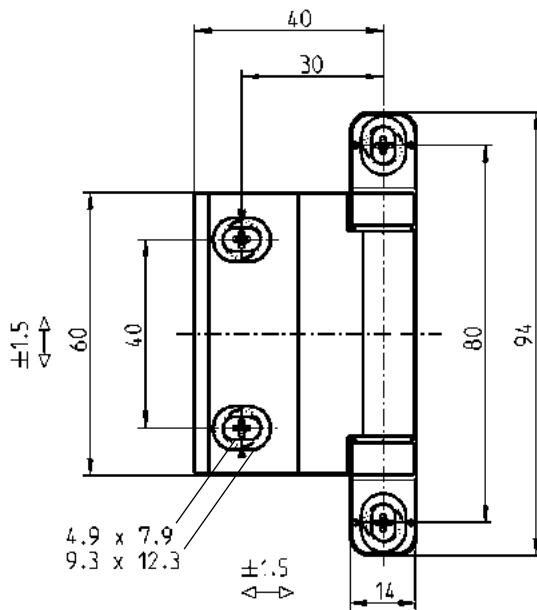
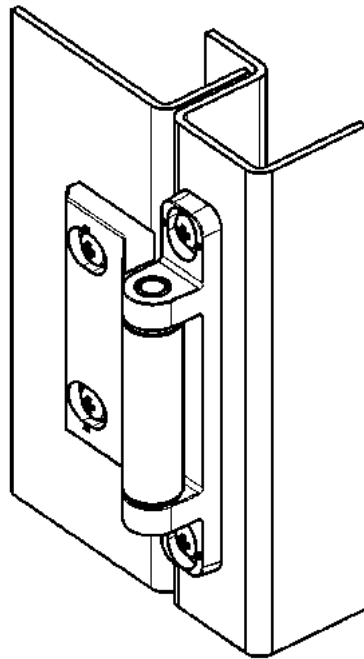
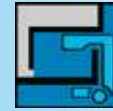
with grub screw M6

1056-U40

Further parts see page
– 2D-nut

12E-120

180° 2D hinge
PROGRAM 1054



* not included

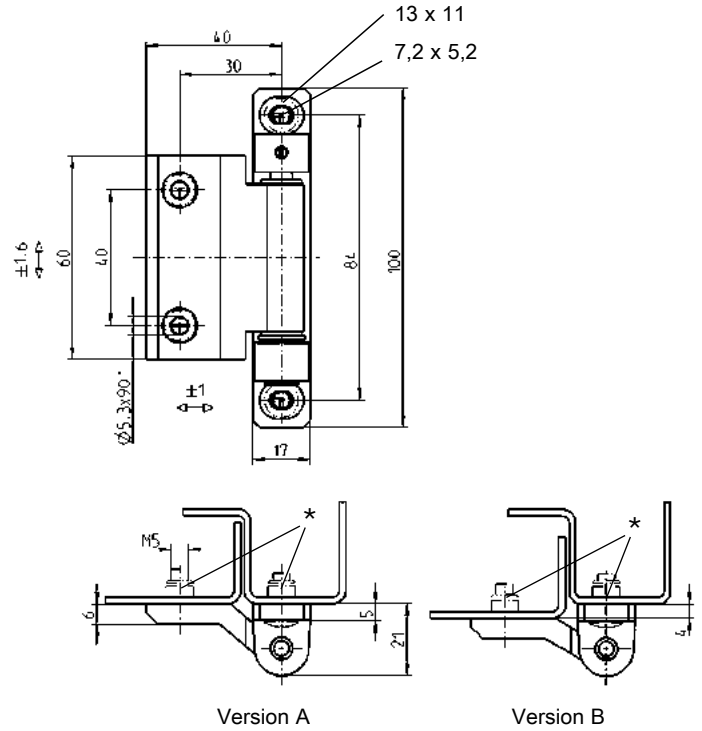
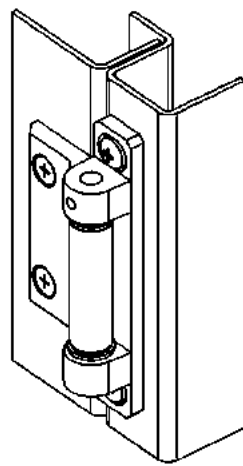
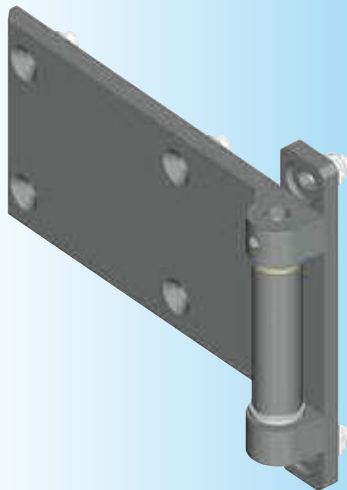
180° 2D hinge zinc die black powder coated, pin stainless steel, bushes polyamide

1054-U37

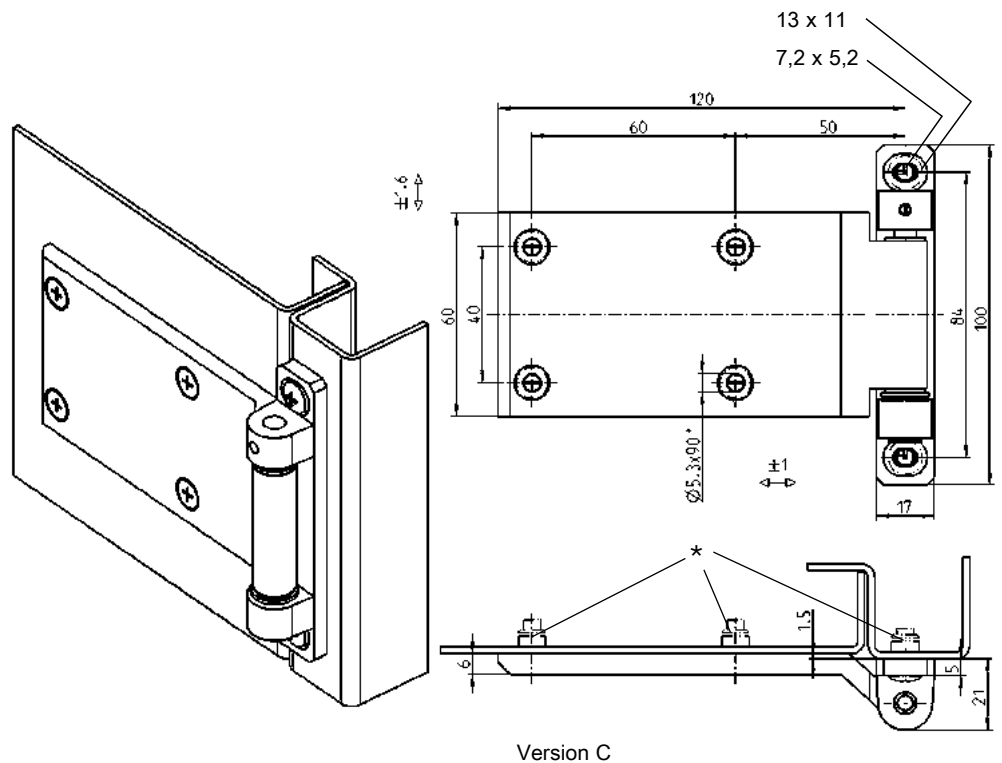


RH- or LH-version by turning around the door part

Hinge pin is self-gripping



Countersunk for small head countersunk screw M5x



* not included

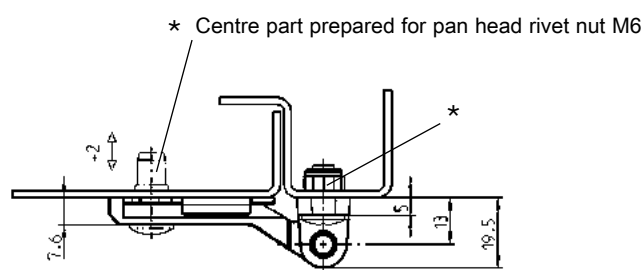
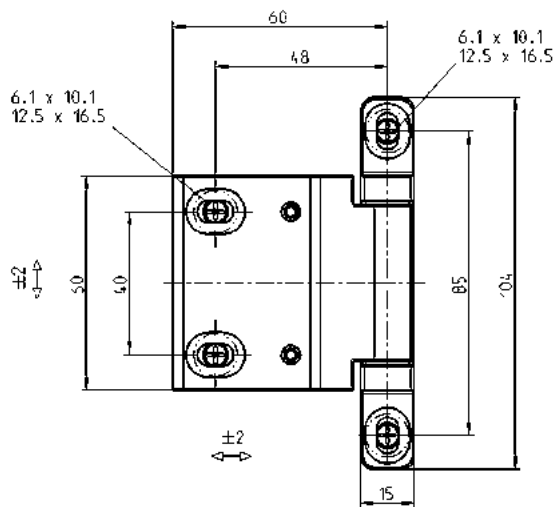
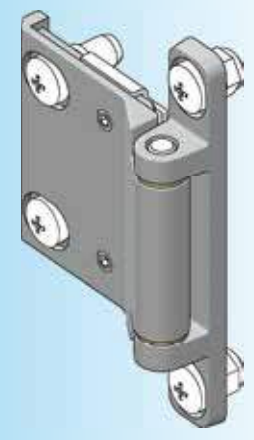
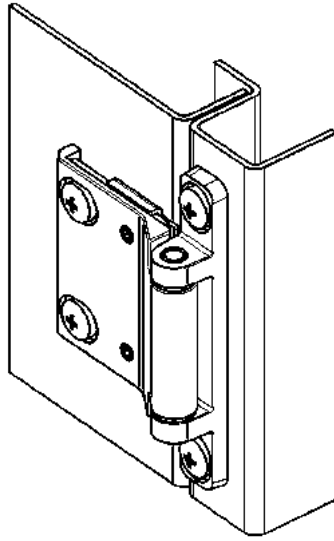
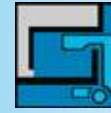
small head = DIN ISO 2009, 2010, 7046-1, 7046-2, 7047

2D screw-on hinge door part and centre part zinc die surface of your choice; shaft brass nickel plated; washer m.s. zinc plated; bush polyamide

	Version A	Version B	Version C
black powder coated	1054-U33-01	1054-U34-01	1054-U35-01
raw	1054-U33-02	1054-U34-02	1054-U35-02

180° 3D-screw-on hinge PROGRAM 1054

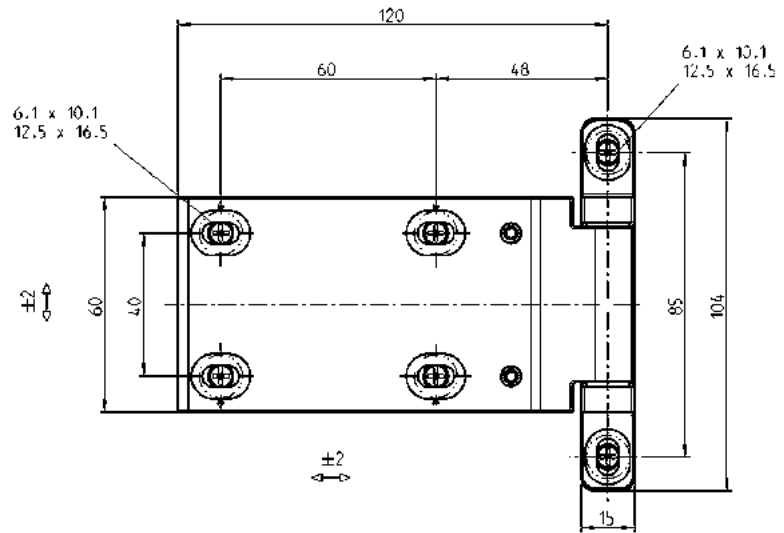
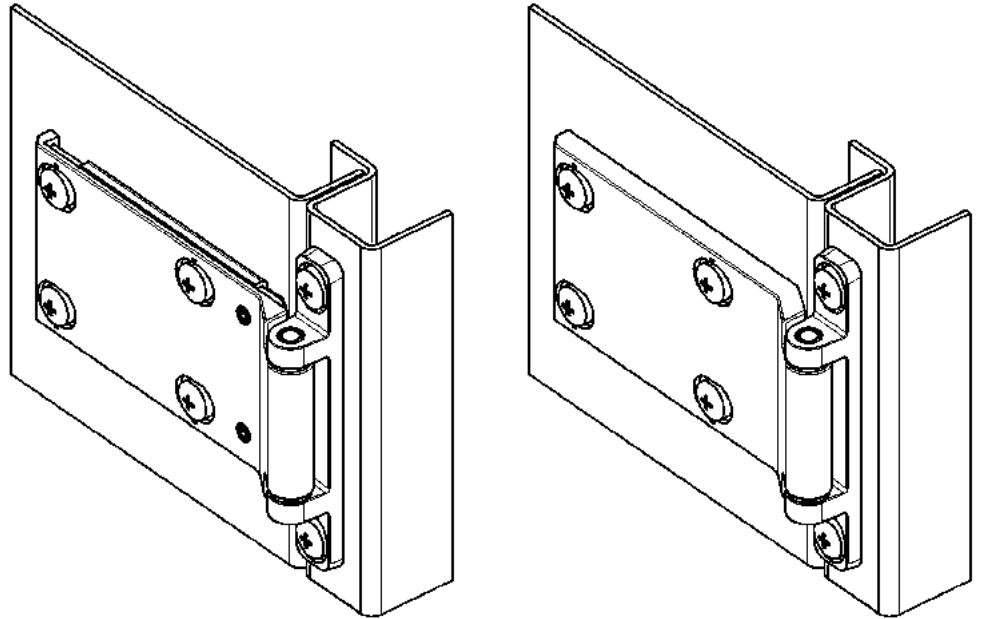
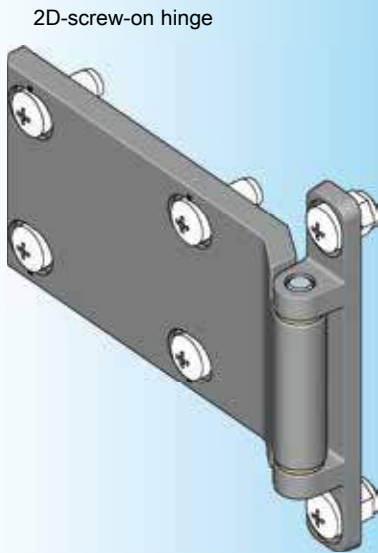
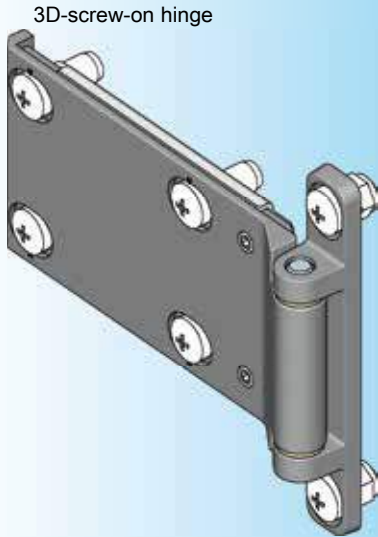
Beschlagteile



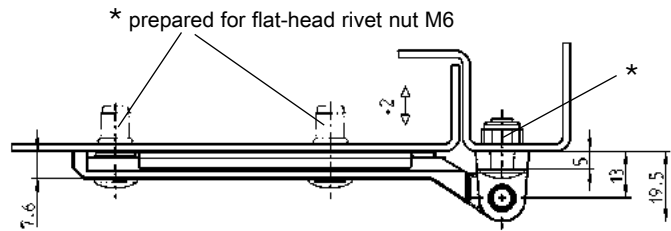
3D screw-on hinge Door part and centre part zinc-die powder-coated black; axle, pin and washers stainless steel; bushes plastic

* Oval head screw DIN ISO 7380 M6x... not included in the scope of supply

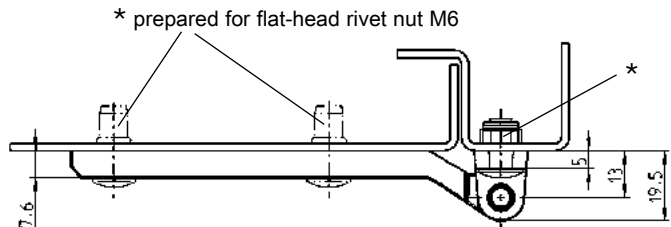
1054-U42-01



3D-screw-on hinge



2D-screw-on hinge



* Oval head screw
DIN ISO 7380 M6x...
not included in the scope of
supply

3D-screw-on hinge door part and centre part zinc die black p.c.;
axle, plate and bolts stainless steel; PA bushings

1054-U43-01

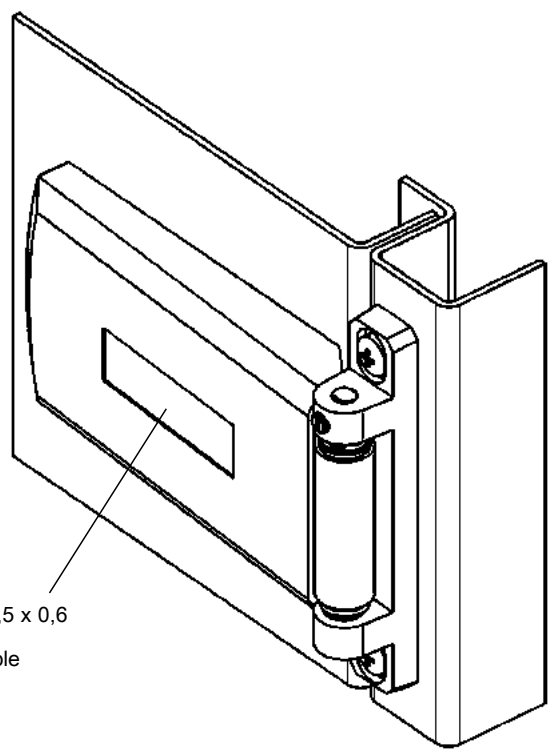
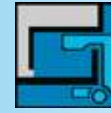
2D-screw-on hinge door part and centre part zinc die black p.c.;
axle stainless steel; PA bushings

1054-U44-01

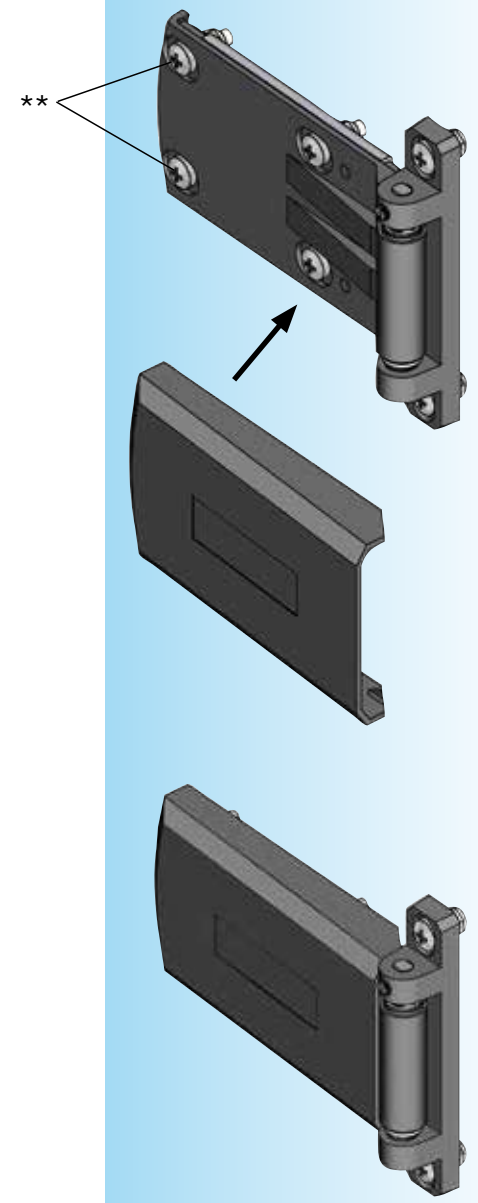
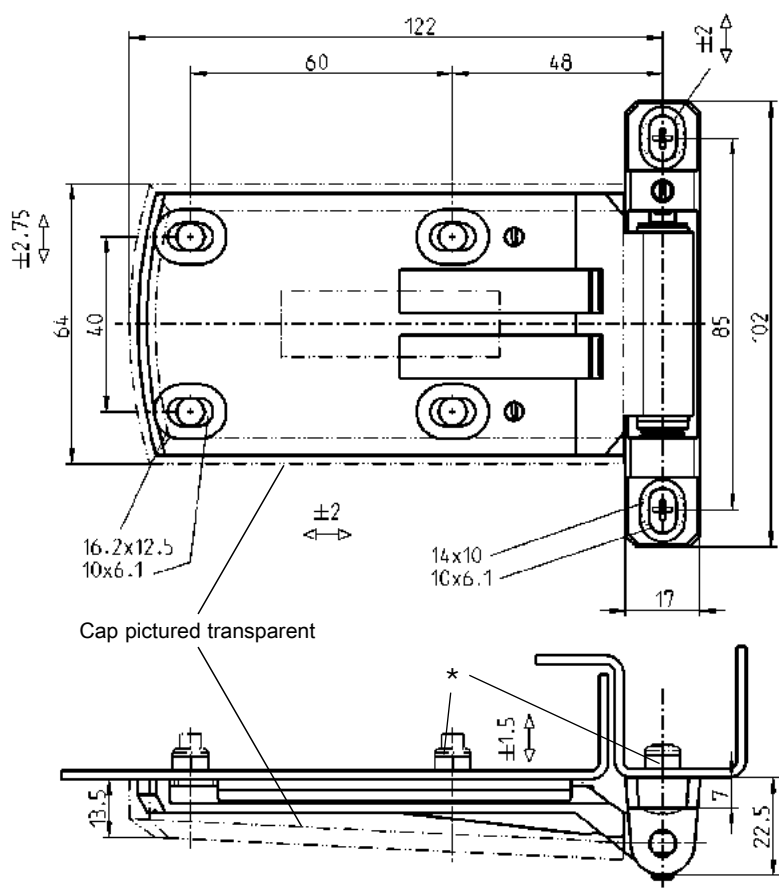
180° 3D-screw-on hinge

PROGRAM 1054

Beschlagteile



Logo: 49 x 14,5 x 0,6
Different pad
printing possible



* not included

** Only screws with flat head or with max. head height 5 mm can be used

RH- or LH-version by turning around the door part

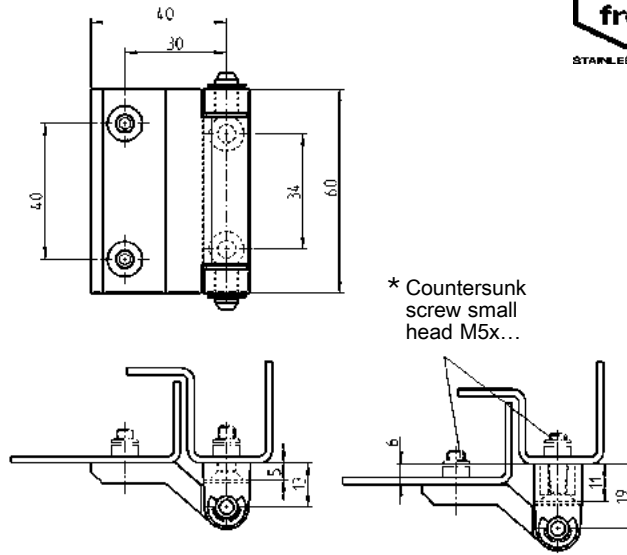
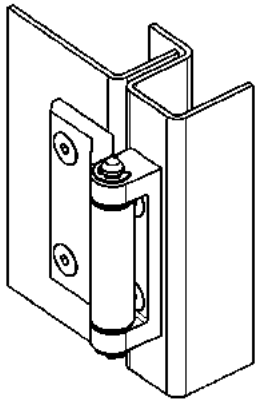
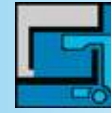
3D-screw-on hinge door part and centre part zinc die black p.c.;
axle stainless steel; pin and washer steel zinc pl.;
cap and bush polyamide black

RH version	1054-U36-RE
LH version	1054-U36-LI

180° screw-on hinge

PROGRAM 1054

Beschlagteile



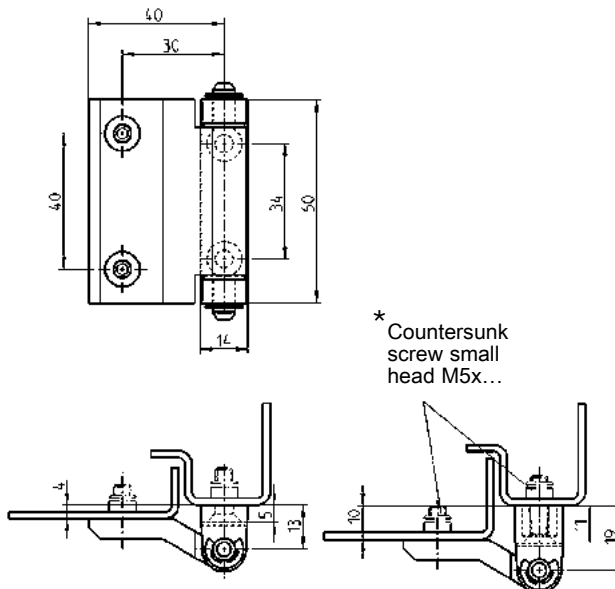
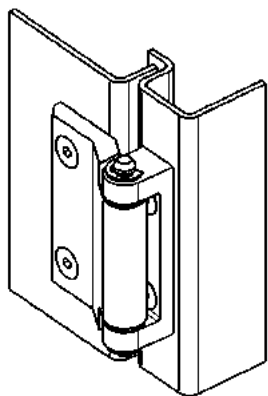
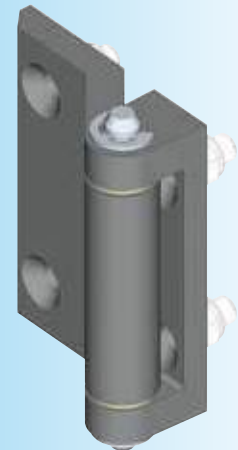
Screw-on hinge zinc die, pin and washer m.s. zinc pl. and bush polyamide

	level	6 mm higher
chrome plated	1054-U4	1054-U27
black powder coated	1054-U5	1054-U28
raw	1054-U22**	1054-U29**

** = Minimum order quantity 1000 pcs.

Screw-on hinge AISI 316 and bushes polyamide

	1054-U5-PH	-
--	------------	---



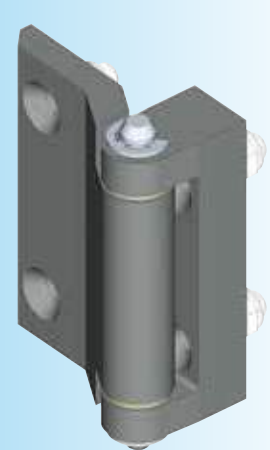
Screw-on hinge zinc die, pin and washer m.s. zinc pl. and bush polyamide

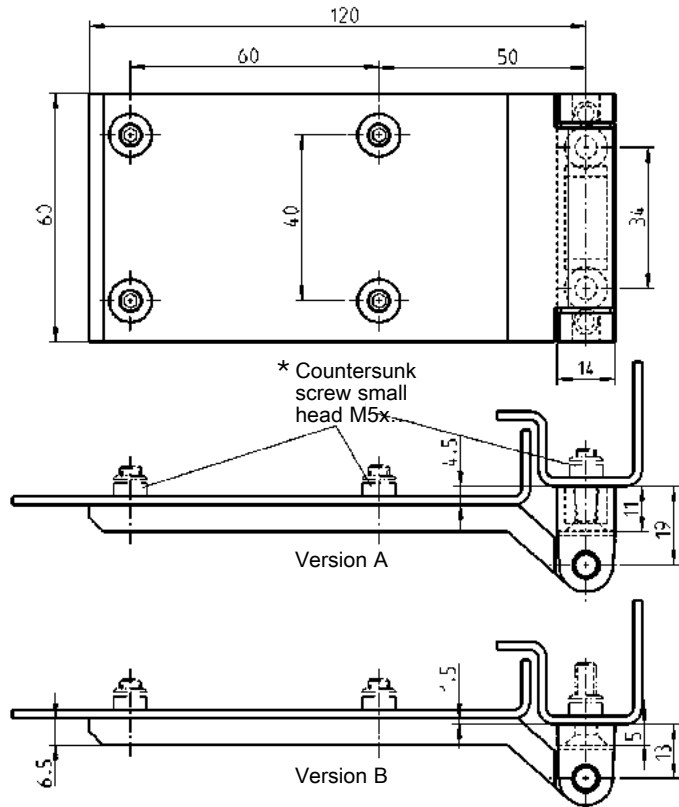
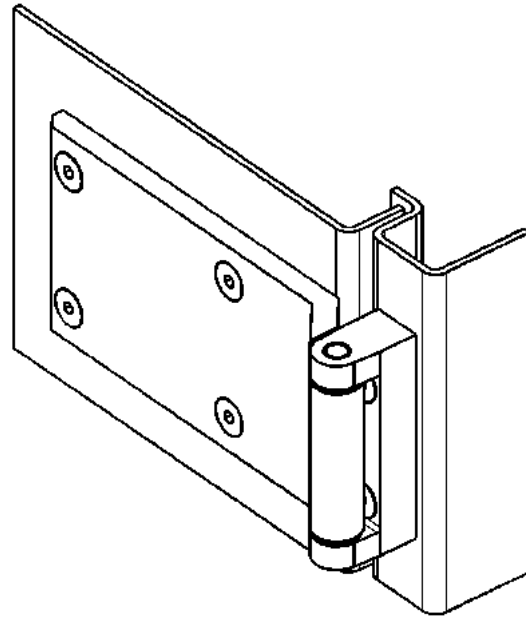
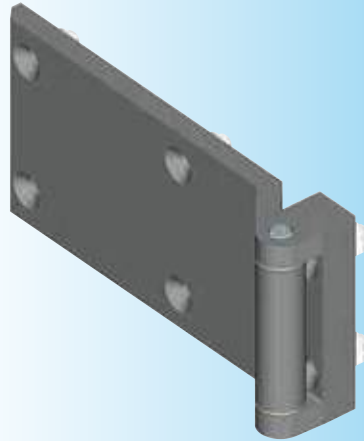
	4 mm higher	10 mm higher
chrome plated	1054-U7	1054-U19
black powder coated	1054-U10	1054-U20
raw	1054-U18**	1054-U21**

** = Minimum order quantity 1000 pcs.

* not included

small head = DIN ISO 2009, 2010, 7046-1, 7046-2, 7047





* not included

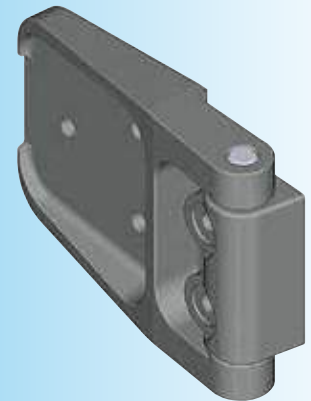
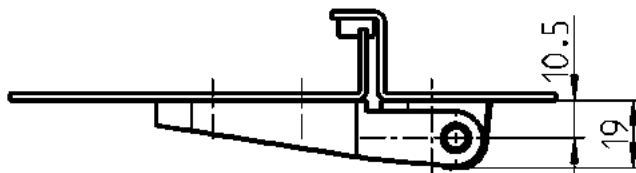
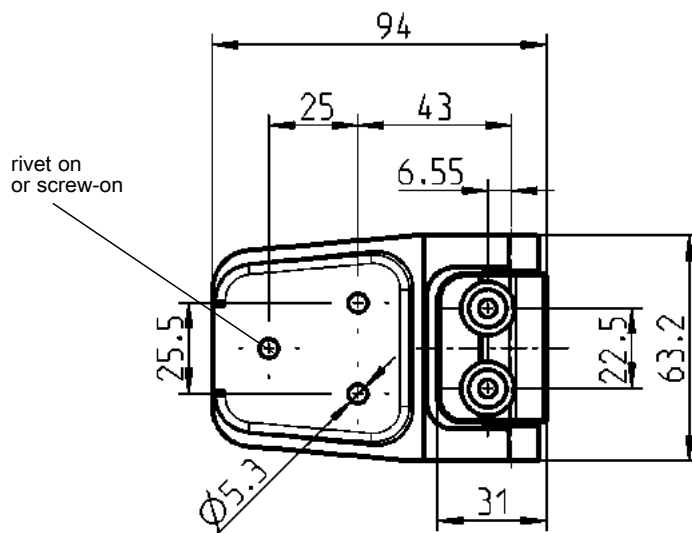
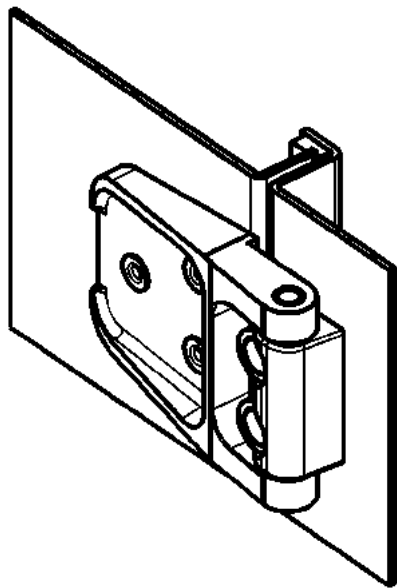
small head = DIN ISO 2009,
2010, 7046-1, 7046-2, 7047

Screw-on hinge zinc die, pin stainless steel and bushes polyamide

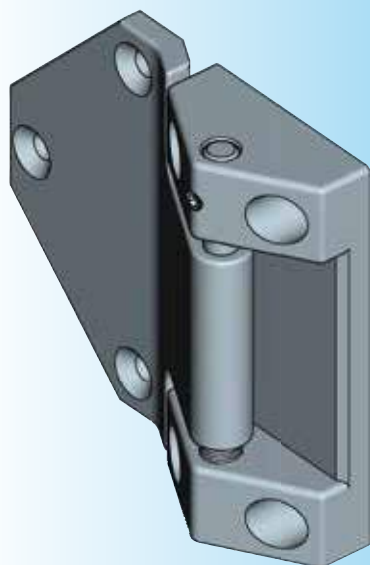
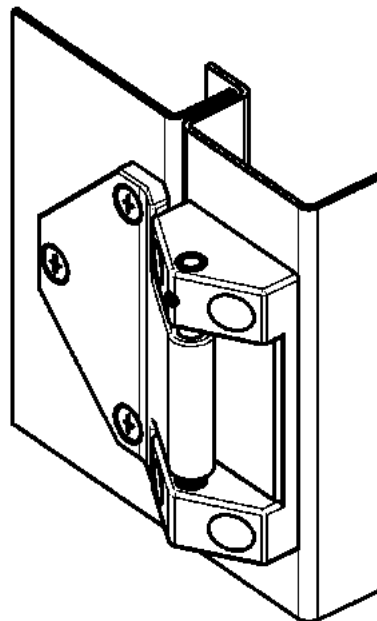
	Version A	Version B
black powder coated	1054-U11	1054-U6
raw	1054-U13**	1054-U12**

** = Minimum order quantity 1000 pcs.

180° hinge
PROGRAM 1054, 1091

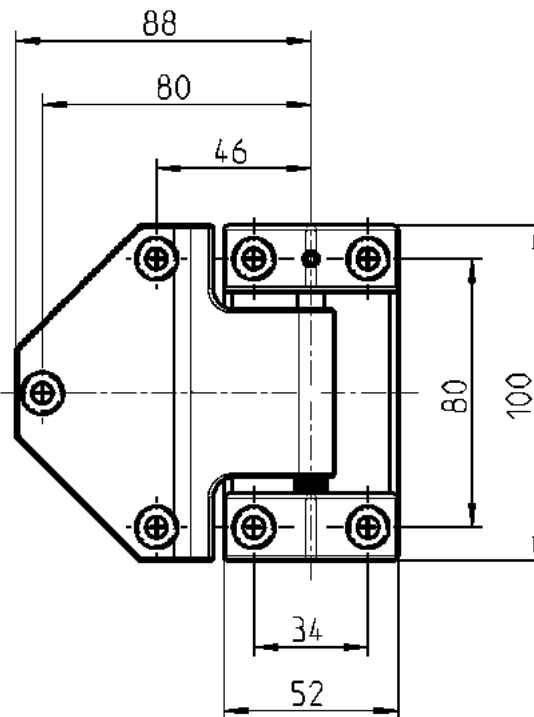


Application
for double skin
doors

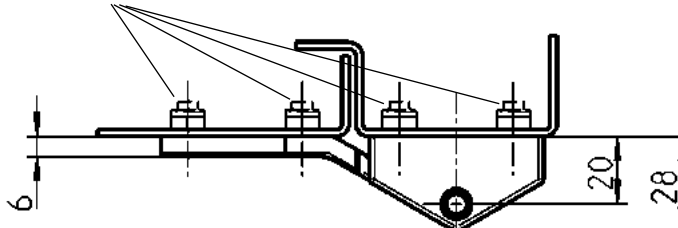


Height adjustment ± 4 mm

RH- or LH-version by turning around the door part



* Countersunk screw small head M6x...



* not included

small head = DIN ISO 2009, 2010, 7046-1, 7046-2, 7047

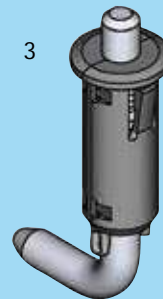
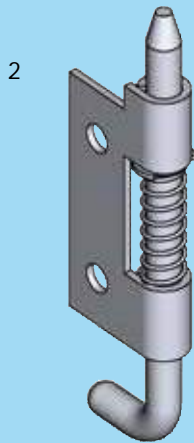
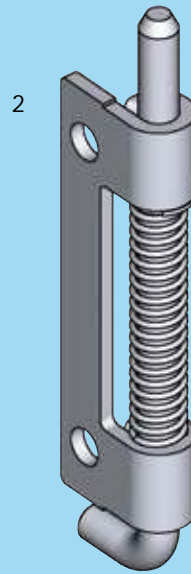
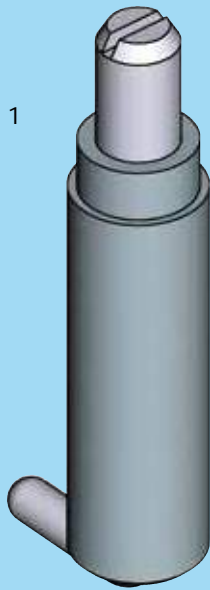
Further parts see page
- 2D-nut

12E-120

Screw-on hinge adjustable stainless steel 1.4571, washer and hinge pin stainless steel

1054-U39

Pin hinge Program 1117



- 1 Weld-on pin hinge
- 2 Pin hinge can be screwed on and riveted on
- 3 Clip-in pin hinge

4C-120
4C-120
4C-130

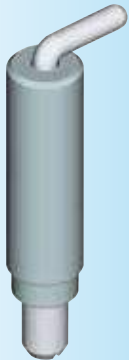
4C-100

Pin hinge PROGRAM 1117

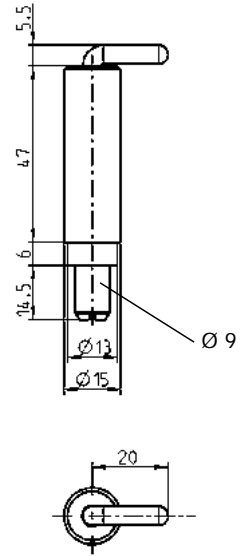
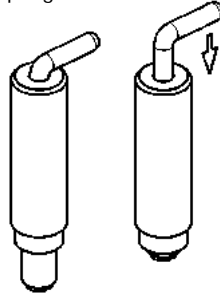
Beschlagteile



INOX
AISI
3..



Spring loaded

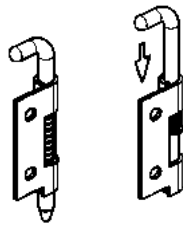


Pin hinge m.s. zinc pl., spring material spring steel zinc pl.,
guide tube m.s. raw or completely AISI 304

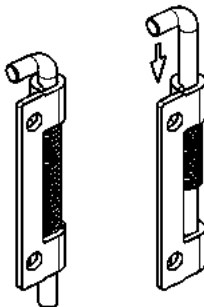
m.s.	1117-U1
AISI	1117-U1-PF



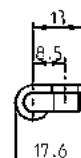
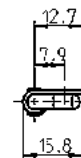
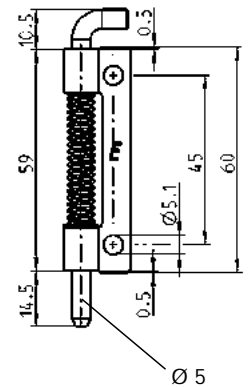
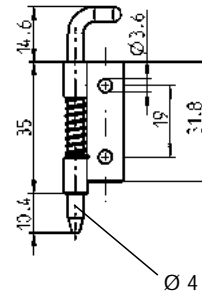
Spring loaded



Version A



Version B



Pin hinge m.s. zinc pl., spring material spring steel zinc pl.

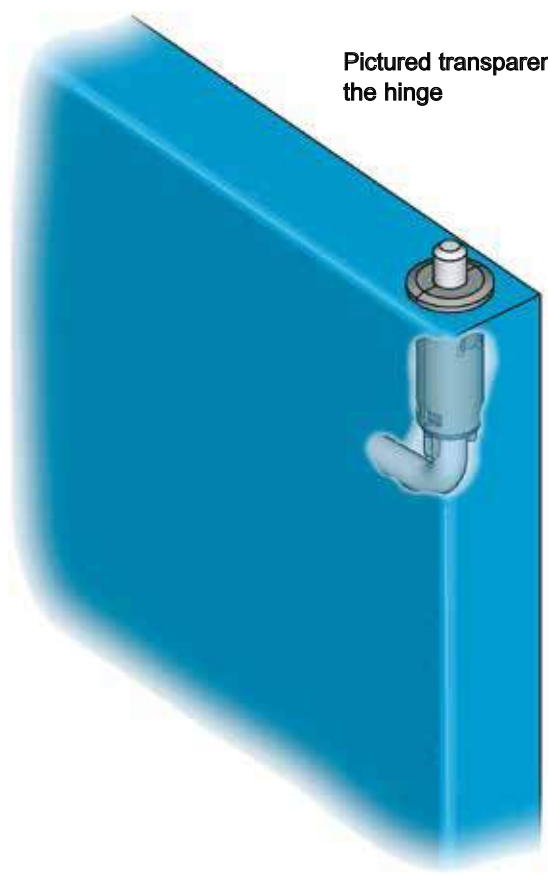
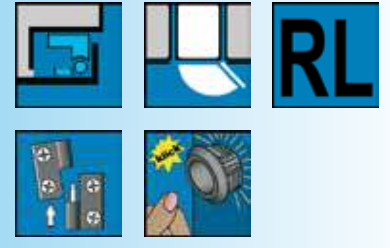
RH-version A	1117-U2	LH-version A	1117-U3
RH-version B	1117-U4	LH-version B	1117-U5

Pin hinge AISI 304, pin AISI 303, spring stainless steel

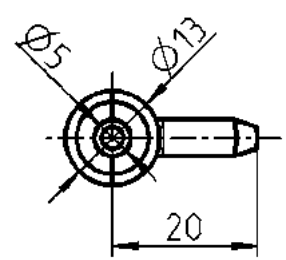
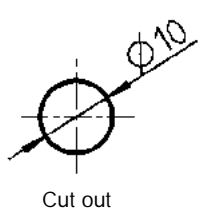
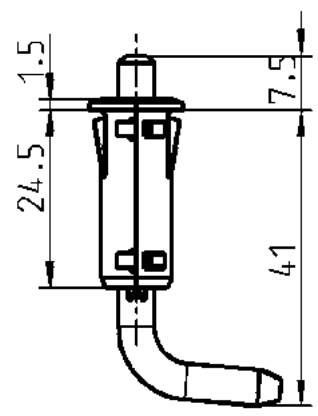
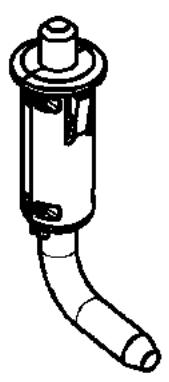
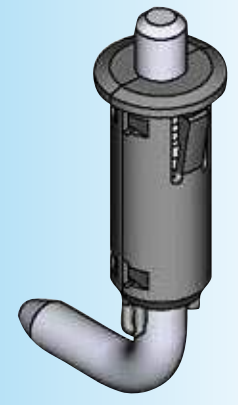
Version B right	1117-U4-PC	Version B left	1117-U5-PC
-----------------	------------	----------------	------------

Pin hinge
PROGRAM 1117

Beschlagteile



Pictured transparent in the area of the hinge

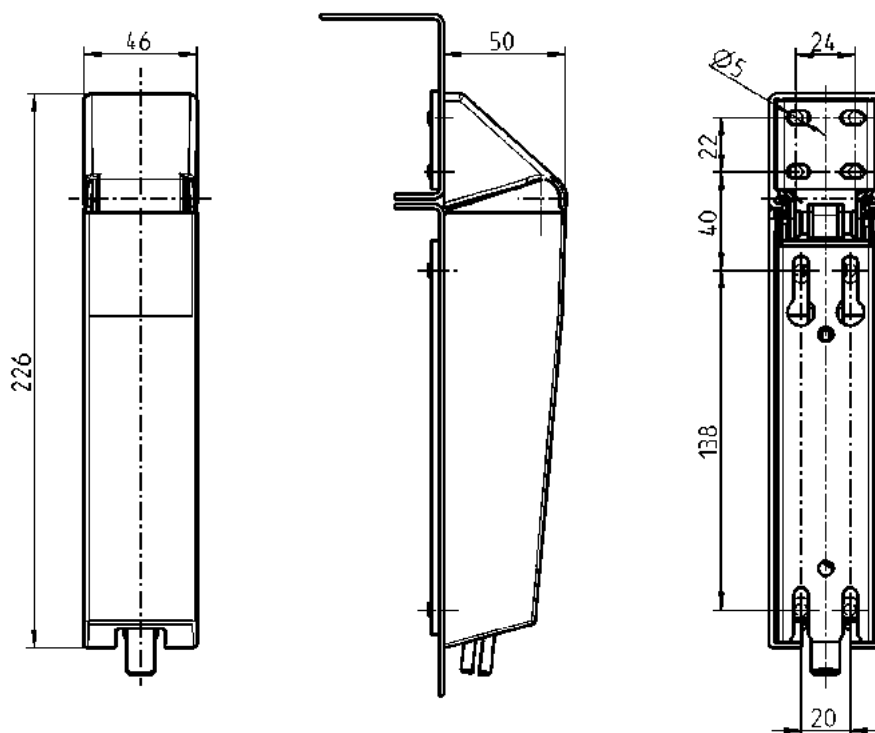
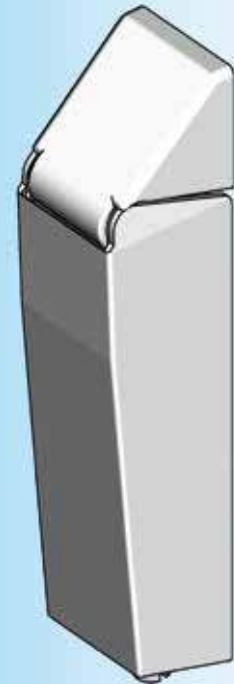
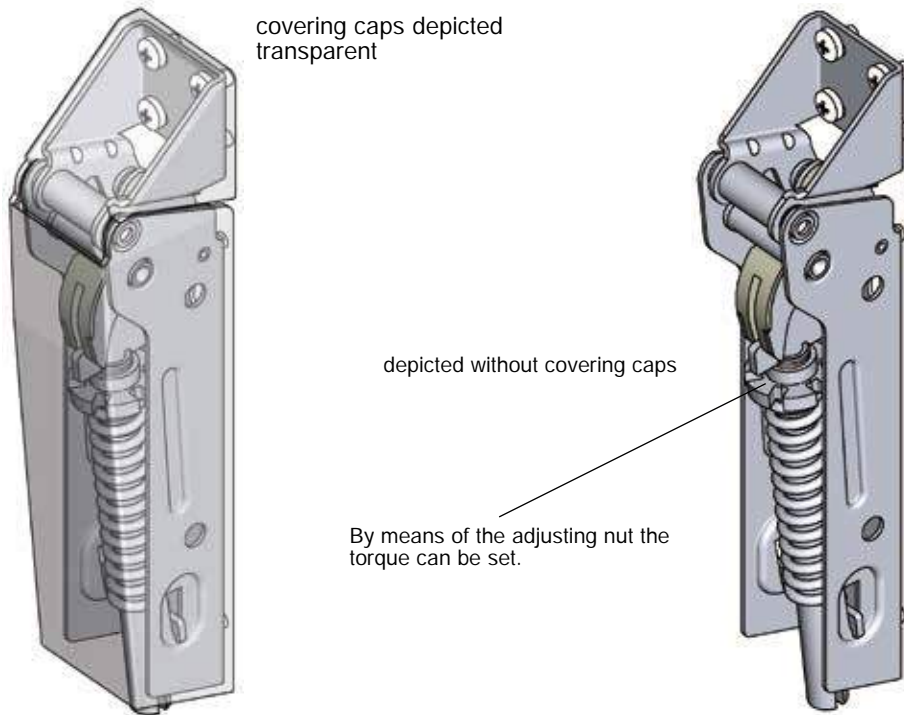


Pin hinge, guide tube polyamide black, pin zinc die, spring material spring steel zinc pl.

Ts = 1,0	1117-U6
Ts = 1,5	1117-U6-01
Ts = 2,0	1117-U6-02

Attention:
For use with small doors only.
E.g. counter- (energy, water) or toolboxes.

80° Counterbalancing spring loaded hinge PROGRAM 1715



Application area:

The spring loaded hinge can be used e.g. for freezers.

The covering caps can be put on after mounting the hinges.

*Lid weight with homogeneous distribution of weight

Spring loaded hinge m.s. zinc plated, knuckle polyamide, covering caps polystyrene white, with one or two springs

for a *lid weight in the range of 6 kg with 2 hinges	1715-U331
for a *lid weight in the range of 17 kg with 2 hinges	1715-U332
for a *lid weight in the range of 23 kg with 2 hinges	1715-U333

Gasket, edge protection and window rubber profile

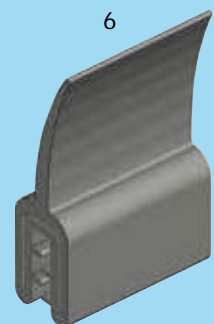
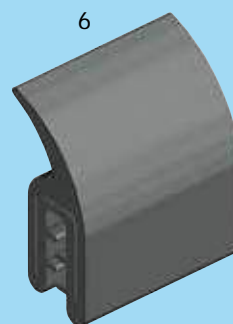
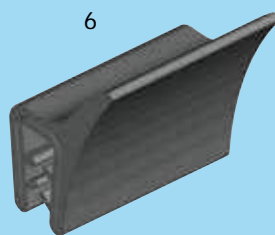
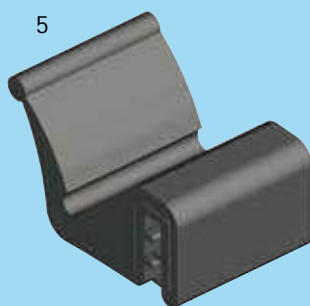
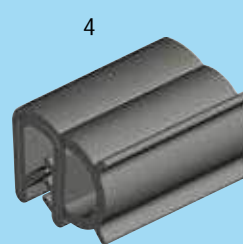
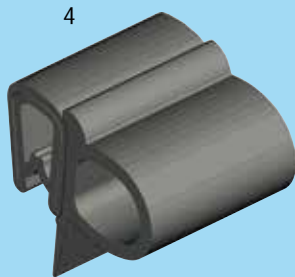
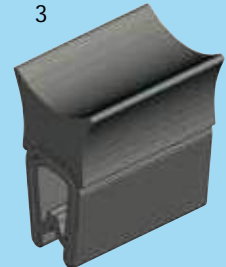
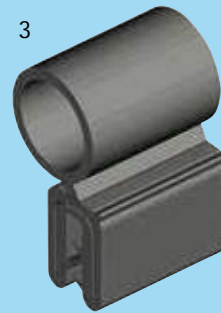
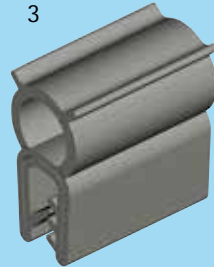
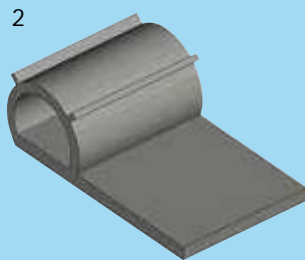
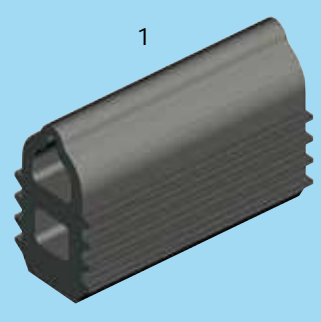
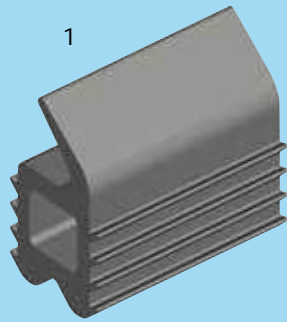
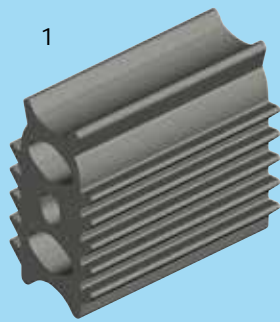
Info

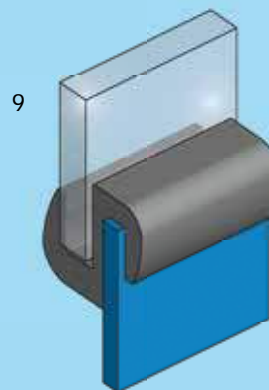
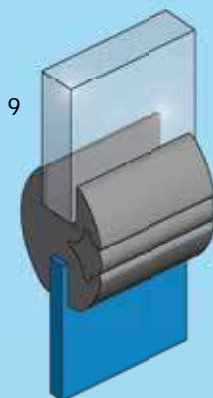
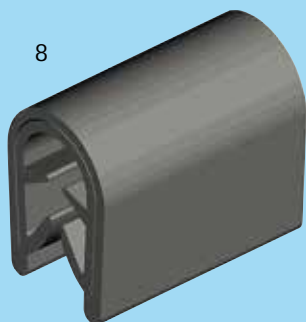
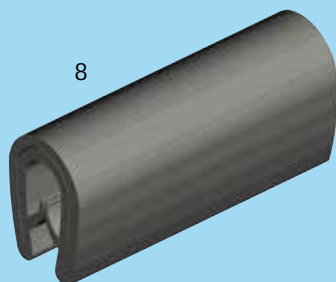
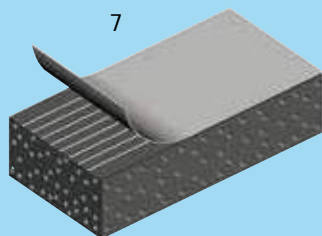
1 Quarter turns

2 Rod controls

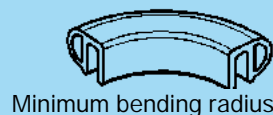
3 Locking systems

4 Hinges





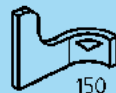
Minimum bending radius



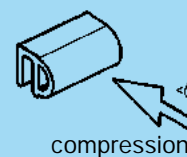
Minimum bending radius



Minimum bending radius



Minimum bending radius

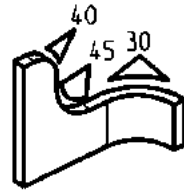
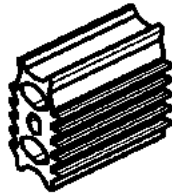
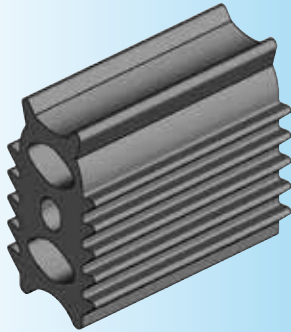


- 1 Gasketing secured in a U-section
- 2 Gasketing
- 3 Self - gripping gasketing
- 4 Self - gripping gasketing
- 5 Self - gripping gasketing
- 6 Self - gripping gasketing
- 7 Cell sponge rubber, with stretch eliminating self-adhesive backing
- 8 Edge-protection
- 9 Clamping profile and window rubber profile

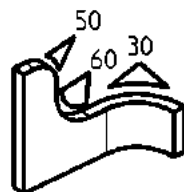
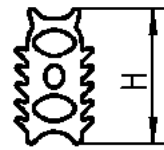
- 5A-120 up to 5A-160
- 5A-140, 5A-160
- 5A-220, 5A-240
- 5A-240 up to 5A-300
- 5A-300, 5A-320
- 5A-320 up to 5A-360
- 5A-440

- 5A-520 up to 5A-560
- 5A-620, 5A-640

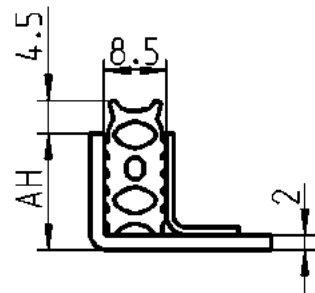
4 Lip gasket



1003-11-N - 1003-13-N



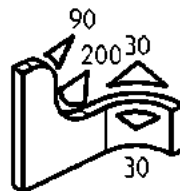
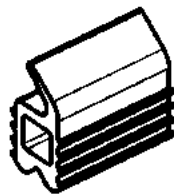
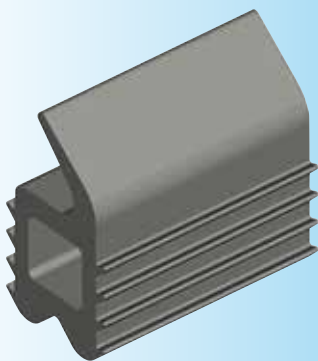
1003-14-N - 1003-24-N



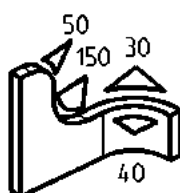
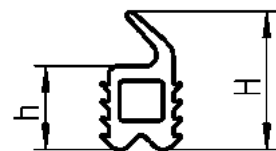
4 lip gasket, sponge-rubber, black EPDM 25° Shore

AH	Height H		AH	Height H	
16	18,5	1003-11-N*	22	24,5	1003-15-N*
18	20,5	1003-12-N*	24	26,5	1003-24-N*
20	22,5	1003-13-N*	26	28,5	1003-14-N*

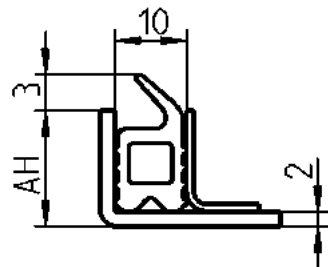
Lip gasket



1003-01



1003-02 - 1003-04



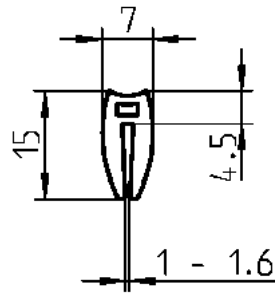
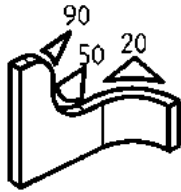
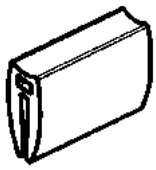
Lip gasket, black EPDM 55° Shore A

AH	H	h	Number of chambers		AH	H	h	Number of chambers	
16	17	9,5	1	1003-04	20	21	13,5	2	1003-02
18	19	11,5	1	1003-03	26	27	19,5	3	1003-01

* CRLUS
UL 50
L 94-HB

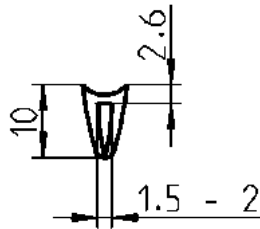
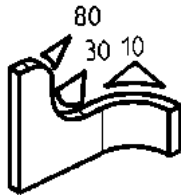
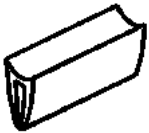
Gasketing

PROGRAM 1003, 1038



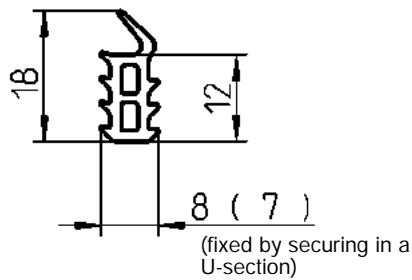
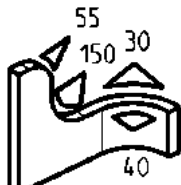
Gasket, black EPDM 55° Shore A

1038-02*



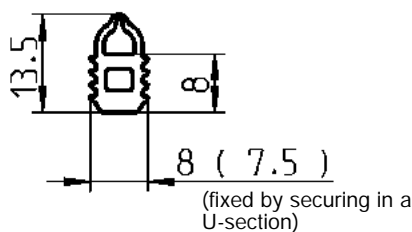
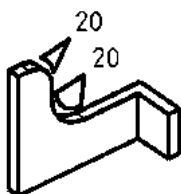
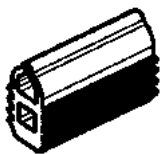
Gasket, black EPDM 55° Shore A

1038-06*



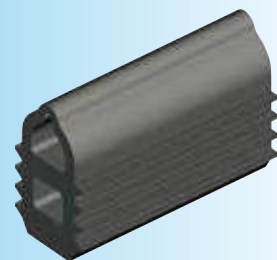
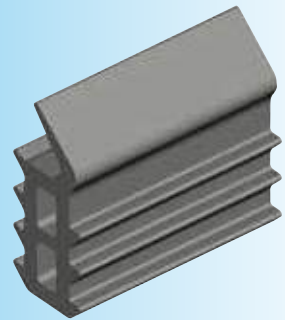
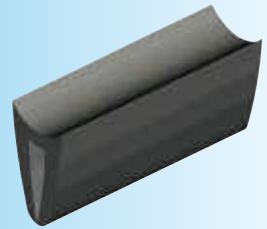
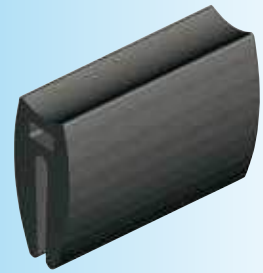
Gasket, black EPDM 55° Shore A

1003-07



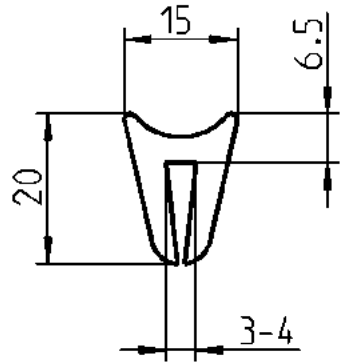
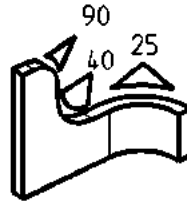
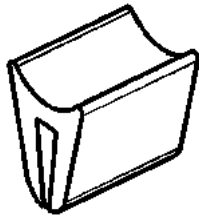
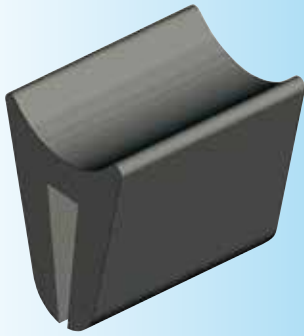
Gasket, black EPDM 55° Shore A

1038-01



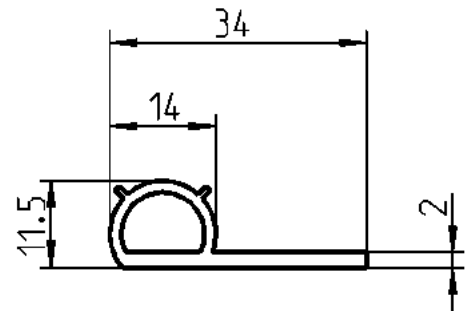
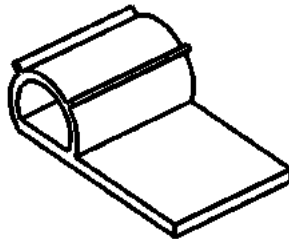
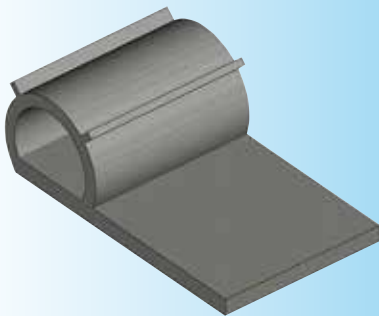
UL 50

UL 94-HB



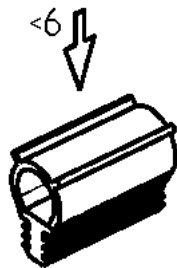
Gasket, black EPDM 55° Shore A

1038-07

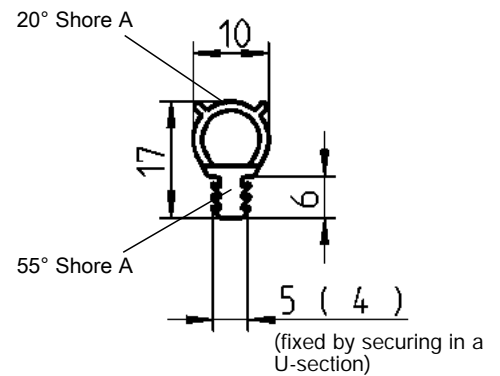
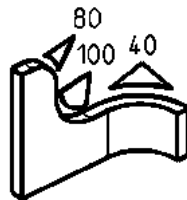


Gasket, black EPDM 55° Shore A

1038-10



compression

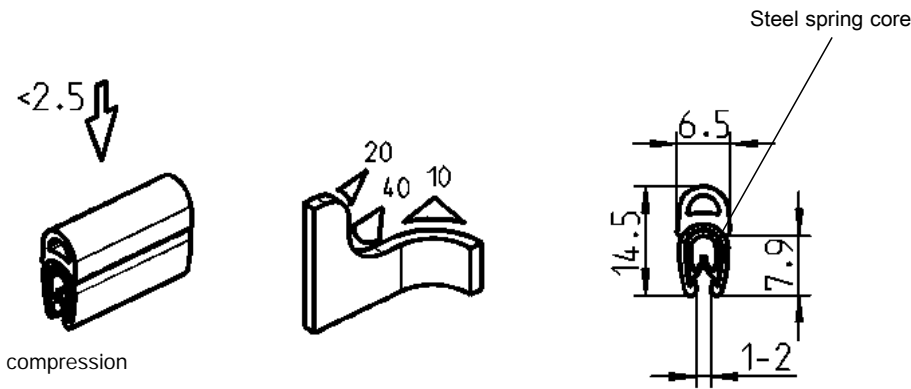


Gasket sponge-rubber (EPDM) black (clamping profile EPDM 55° ± 5 Shore A)

1101-03

Self-clamping gasketing

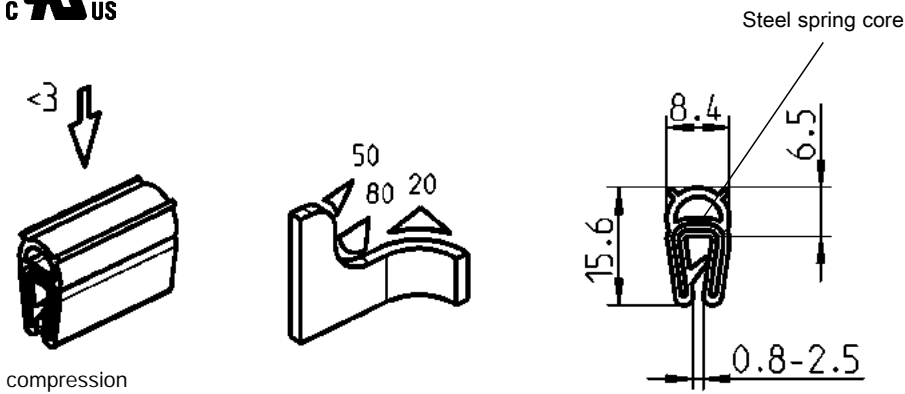
PROGRAM 1011



Gasket sponge-rubber (EPDM) black (clamping profile PVC 70° ± 5 Shore A)

1011-24

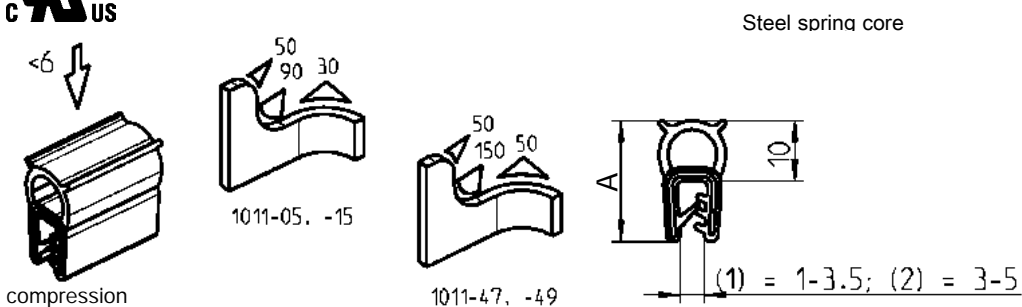
UL US *



Material for gasket depends upon choice

Sponge-rubber (EPDM) black (clamping profile EPDM 65° ± 5 Shore A)	1011-10*
Sponge-rubber (NBR) black (clamping profile NBR 60° ±5 Shore A)	1011-50

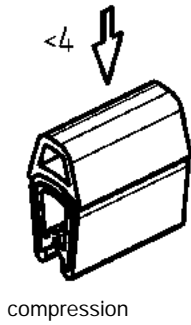
UL US *



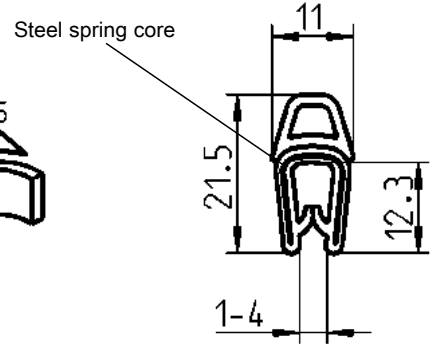
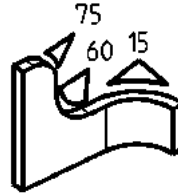
Material for gasket depends upon choice

	A	
Sponge-rubber (EPDM) black (clamping profile EPDM 65° ± 5 Shore A)	20	1011-05* (1)
Sponge-rubber (NBR) black (clamping profile NBR 60° ±5 Shore A)	21	1011-15 (1)
Sponge-rubber (EPDM) black (clamping profile EPDM 65° ± 5 Shore A)	21	1011-49 (2)
Sponge-rubber (NBR) black (clamping profile NBR 60° ±5 Shore A)	21	1011-47 (2)

* **UL US**
UL 50
UL 94-HB

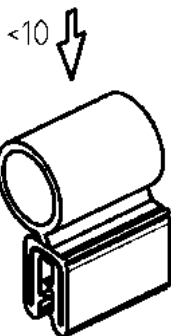


compression

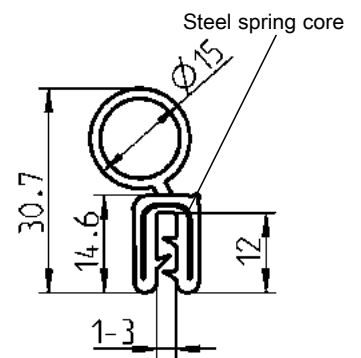
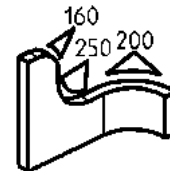


Gasket sponge-rubber (EPDM) black (clamping profile PVC 70° ± 5 Shore A)

1011-18



compression

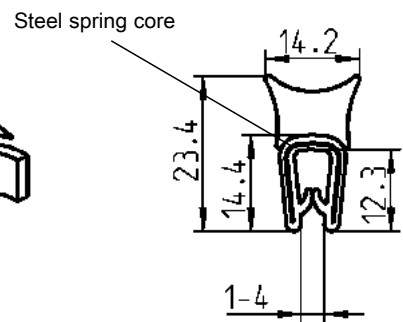
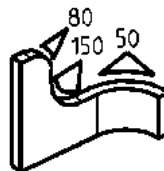


Gasket EPDM black 60° ± 5 Shore A

1011-34

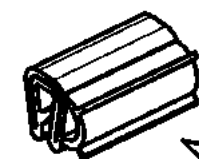
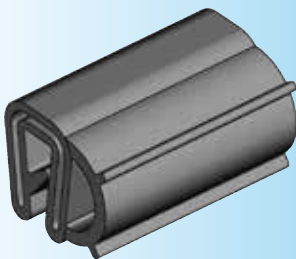


compression

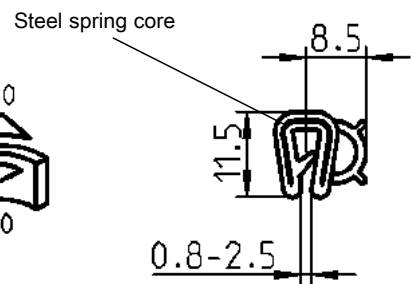
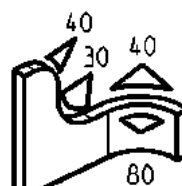


Gasket sponge-rubber (EPDM) black (clamping profile PVC 70° ± 5 Shore A)

1011-21



compression



UL 50

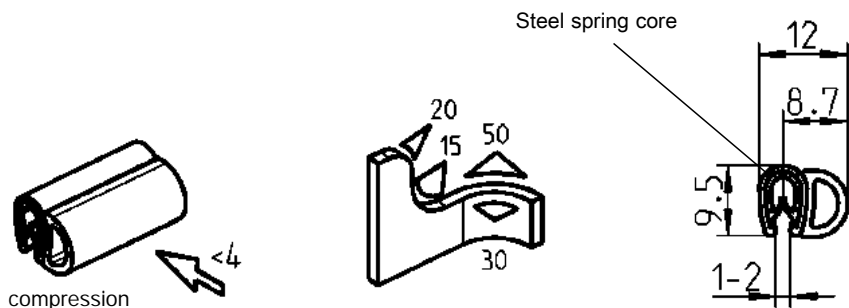
UL 94-HB

Gasket sponge-rubber (EPDM) black (clamping profile EPDM 65° ± 5 Shore A)

1011-09*

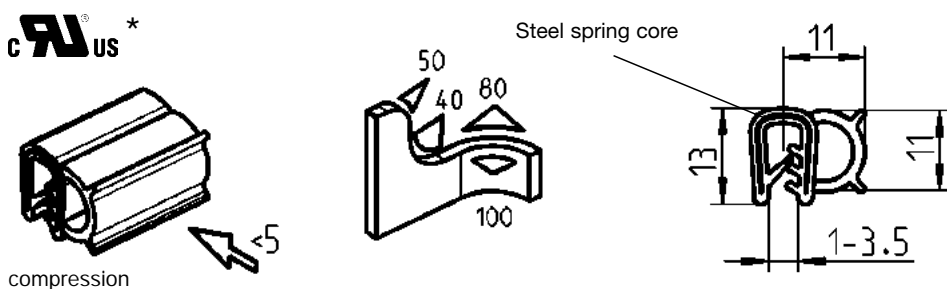
Self-clamping gasketing

PROGRAM 1011



Gasket sponge-rubber (EPDM) black (clamping profile PVC 70° ± 5 Shore A)

1011-20



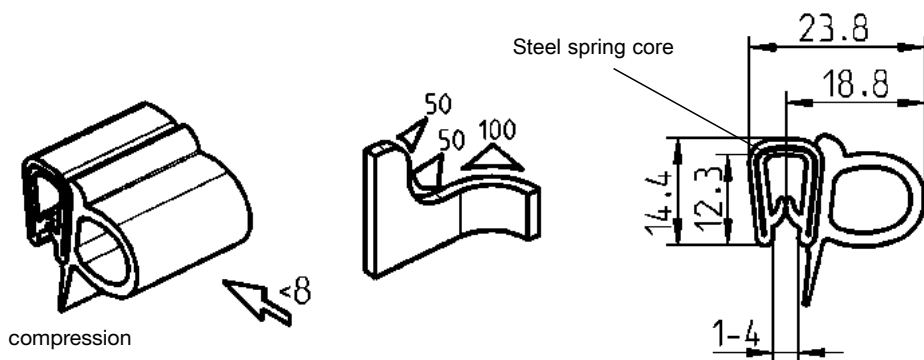
Material for gasket depends upon choice

Sponge-rubber (EPDM) black (clamping profile EPDM 65° ± 5 Shore A)

1011-06*

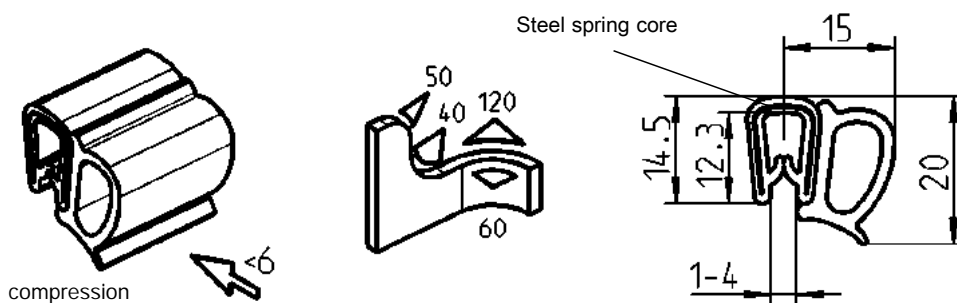
Sponge rubber (NBR) black (clamping profile NBR 60° ± 5 Shore A)

1011-16



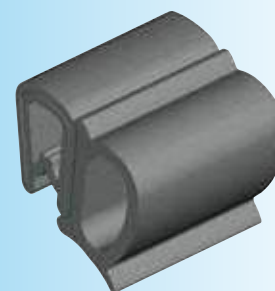
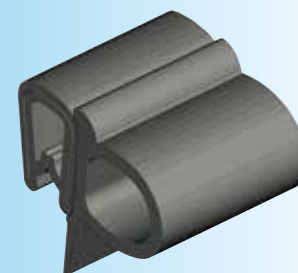
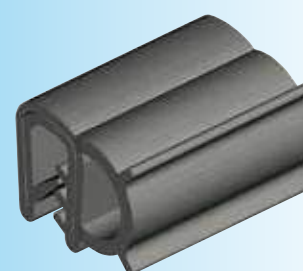
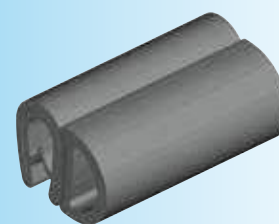
Gasket sponge-rubber (EPDM) black (clamping profile PVC 70° ± 5 Shore A)

1011-25



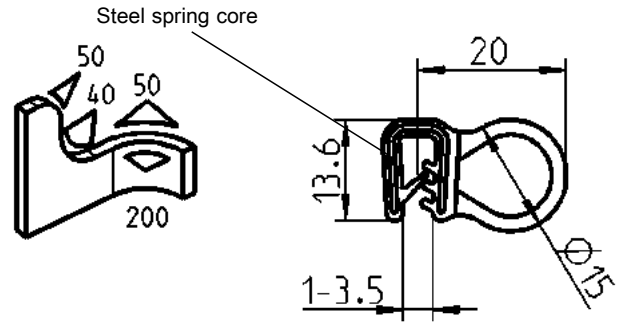
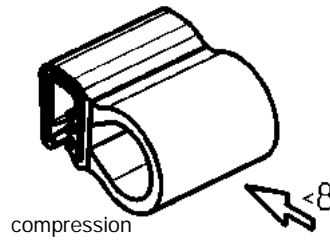
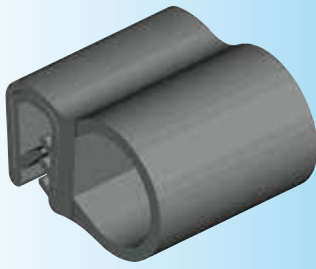
Gasket sponge-rubber (EPDM) black (clamping profile PVC 70° ± 5 Shore A)

1011-23



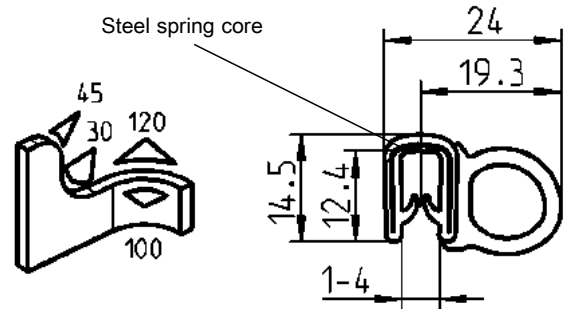
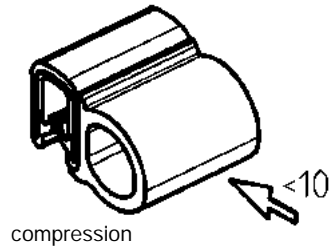
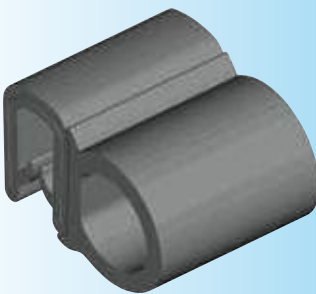
UL 50

UL 94-HB



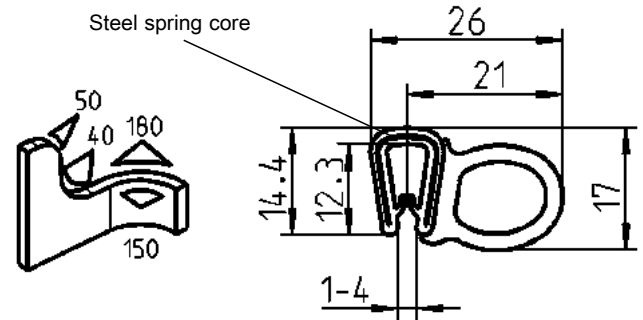
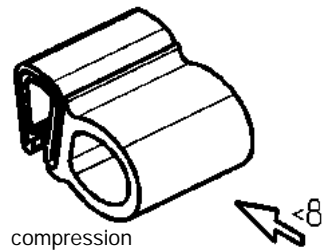
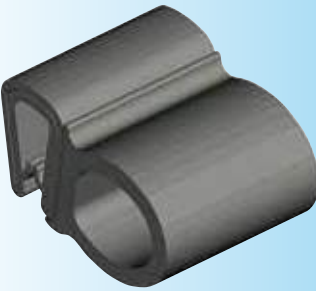
Gasket sponge-rubber (EPDM) black (clamping profile EPDM 65° ± 5 Shore A)

1011-12*



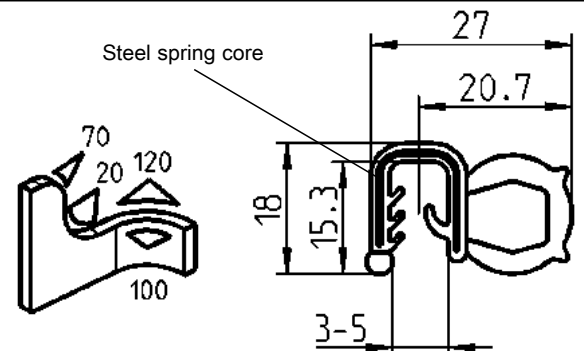
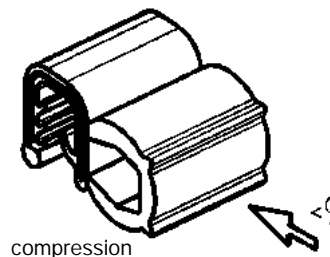
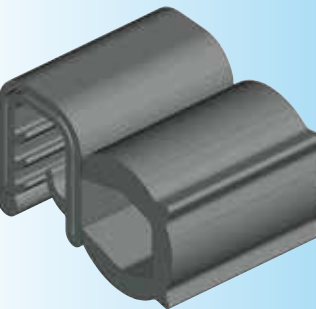
Gasket sponge-rubber (EPDM) black (clamping profile PVC 70° ± 5 Shore A)

1011-19



Gasket sponge-rubber (EPDM) black (clamping profile PVC 70° ± 5 Shore A)

1011-22



Gasket sponge-rubber (EPDM) black (clamping profile EPDM 65° ± 5 Shore A)

with holes for deflation every 300 mm

1011-45

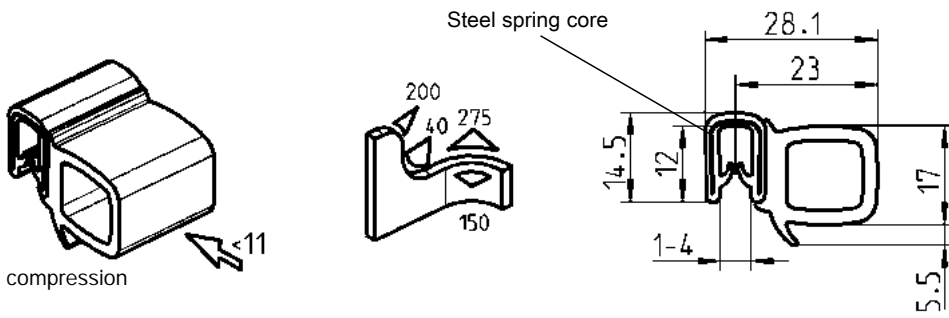


UL 50

UL 94-HB

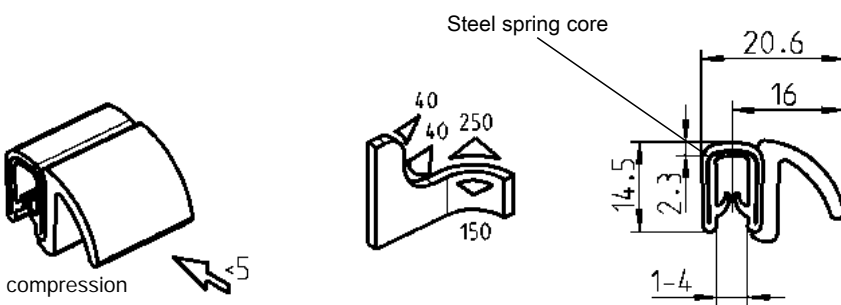
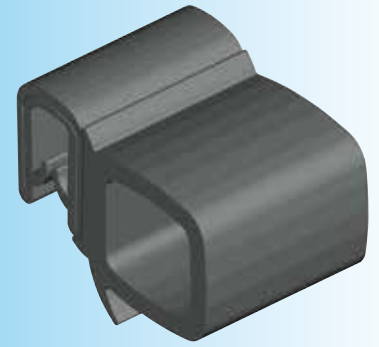
Self-clamping gasketing

PROGRAM 1011



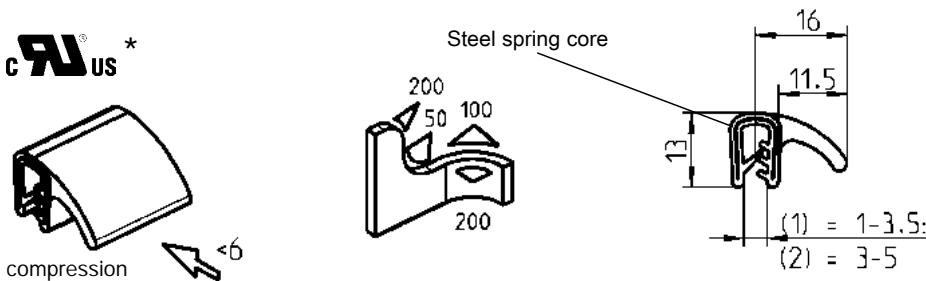
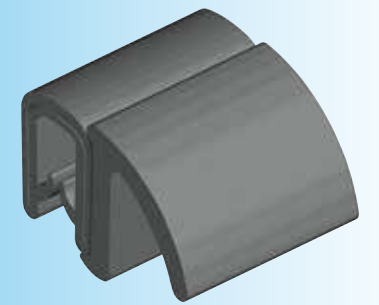
Gasket sponge-rubber (EPDM) black (clamping profile PVC 70° ± 5 Shore A)

1011-26



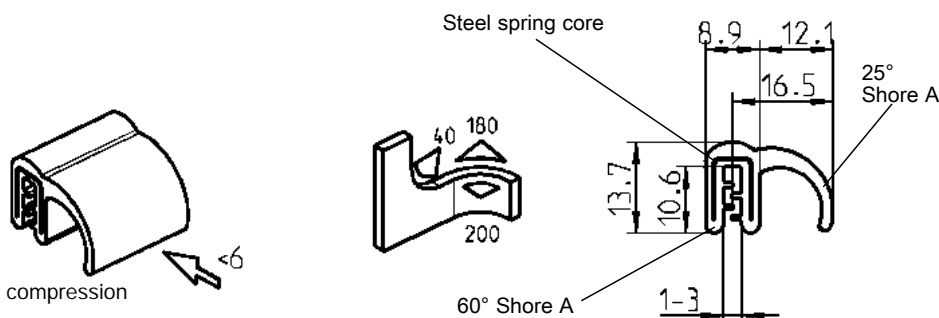
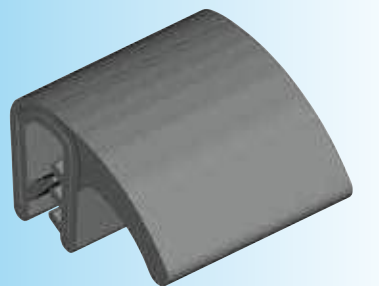
Gasket sponge-rubber (EPDM) black (clamping profile PVC 70° ± 5 Shore A)

1011-17



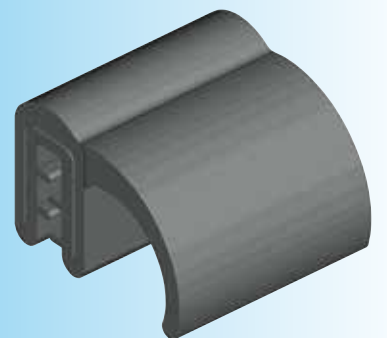
Material for gasket depends upon choice

Sponge-rubber (EPDM) black (clamping profile EPDM 65° ± 5 Shore A)	(1)	1011-08*
Sponge-rubber (NBR) black (clamping profile NBR 60° ± 5 Shore A)	(1)	1011-46
Sponge-rubber (NBR) black (clamping profile NBR 60° ± 5 Shore A)	(2)	1011-48

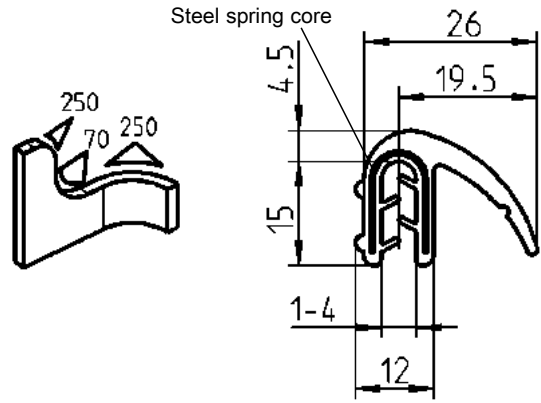
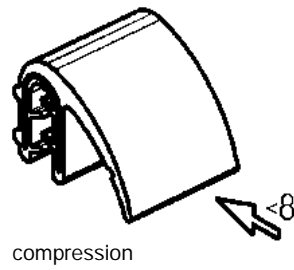
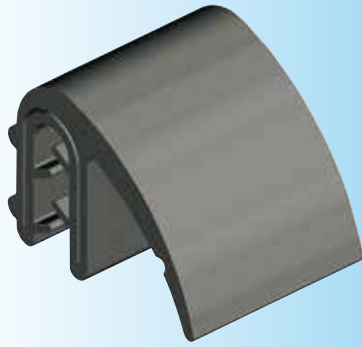


Gasket sponge-rubber (EPDM) 25° Shore A black (clamping profile EPDM 60° ± 5 Shore A)

1011-41

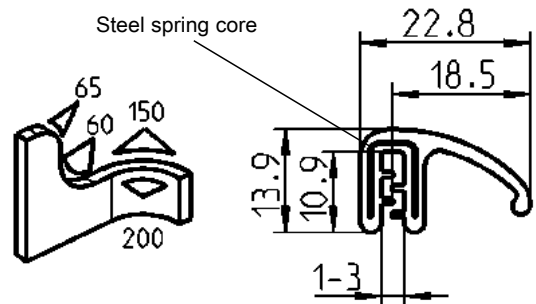
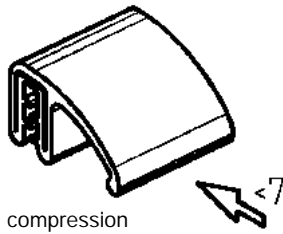
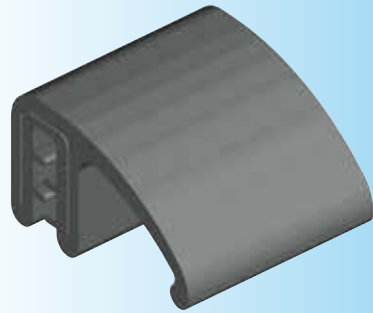


* **UL**®
US
UL 50
UL 94-HB



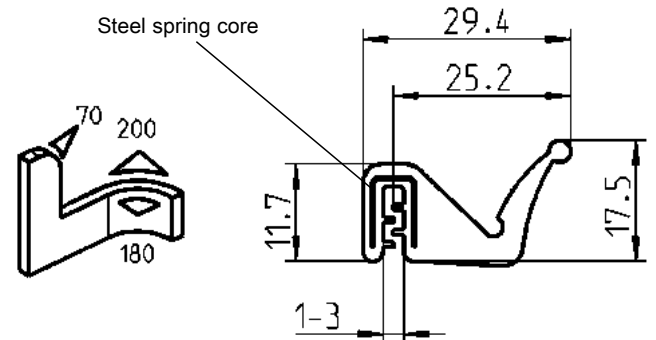
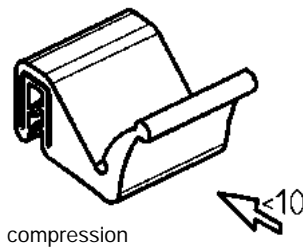
Gasket EPDM 60° ± 5 Shore A black

1011-40



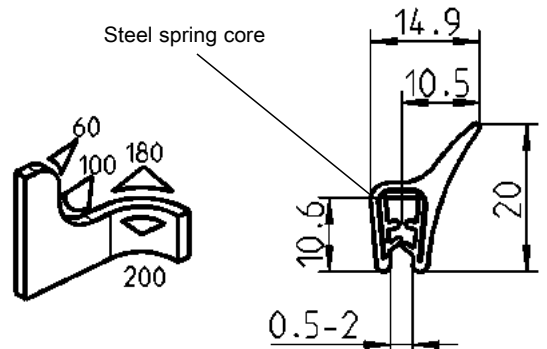
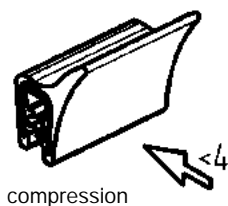
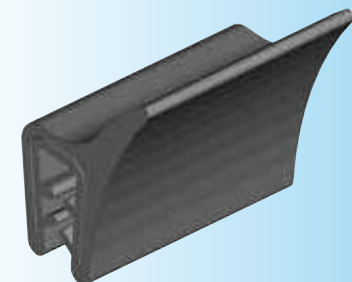
Gasket EPDM 60° ± 5 Shore A black

1011-33



Gasket EPDM 60° ± 5 Shore A black

1011-35



Gasket EPDM 60° ± 5 Shore A black

1011-44

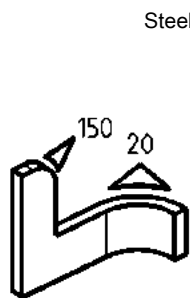
Self-clamping gasketing

PROGRAM 1011

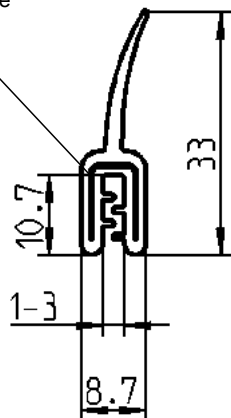
Beschlagteile



compression

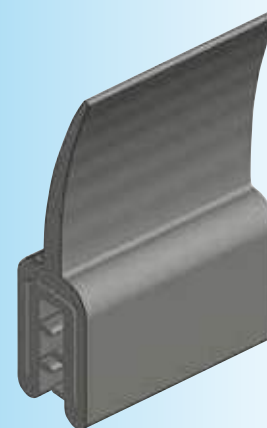


Steel spring core

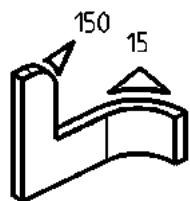


Gasket EPDM 60° ± 5 Shore A black

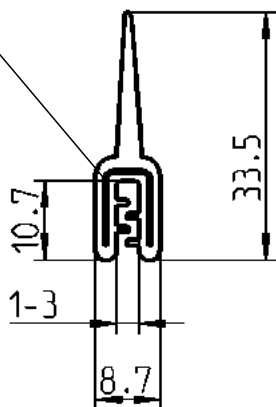
1011-30



compression

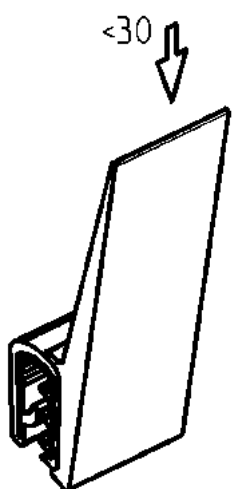
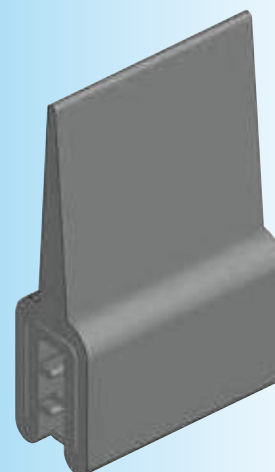


Steel spring core

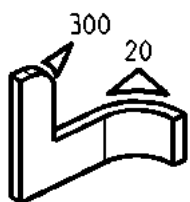


Gasket EPDM 60° ± 5 Shore A black

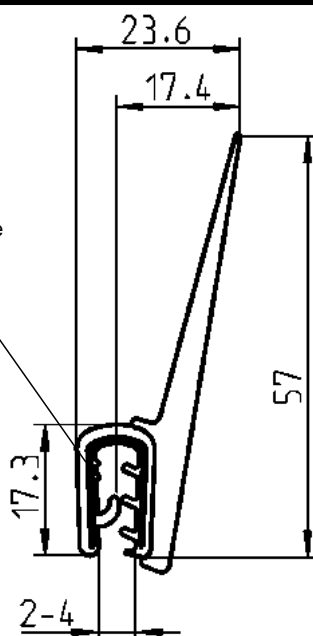
1011-36



compression

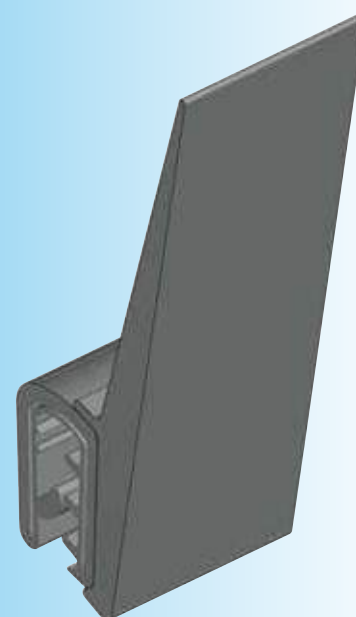


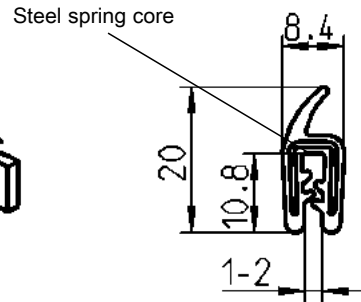
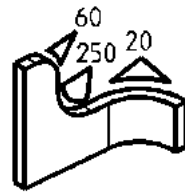
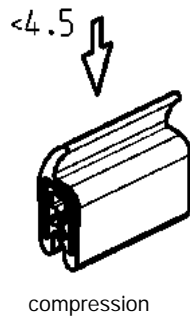
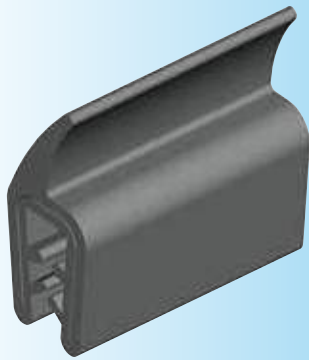
Steel spring core



Gasket sponge-rubber (EPDM) black (clamping profile PVC 70° ± 5 Shore A)

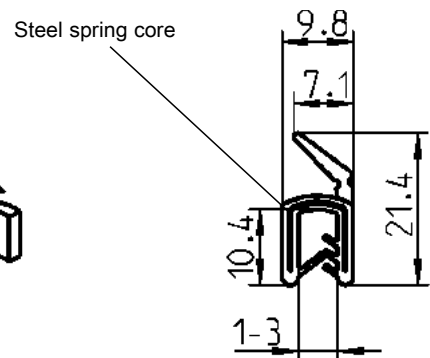
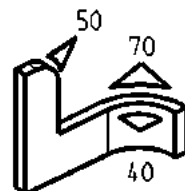
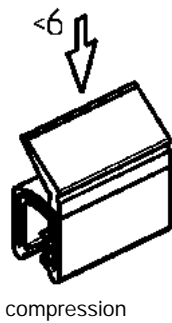
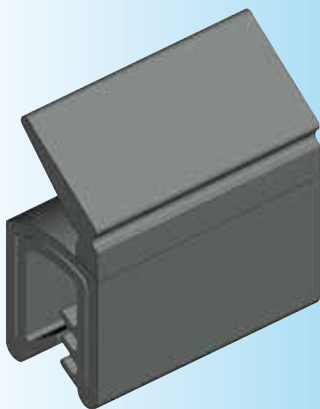
1011-27





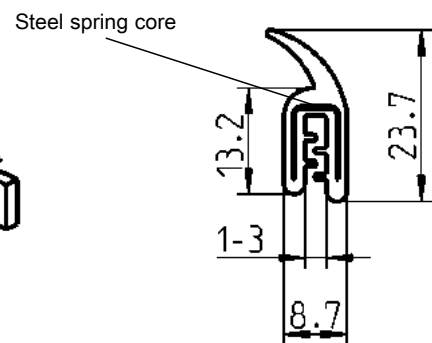
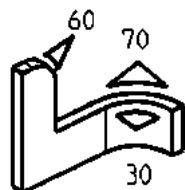
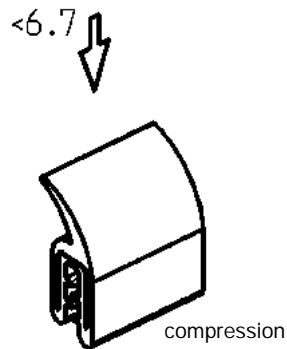
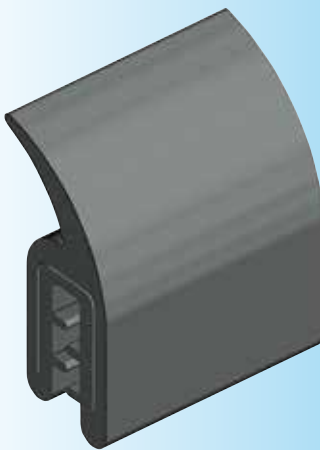
Gasket EPDM 60° ± 5 Shore A black

1011-31



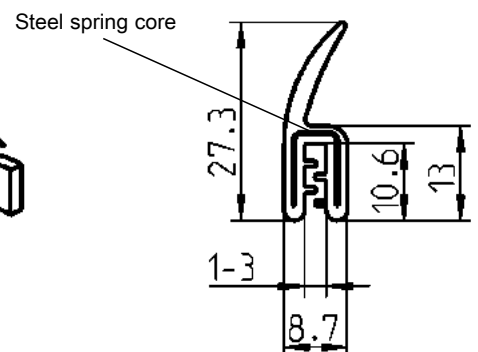
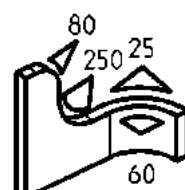
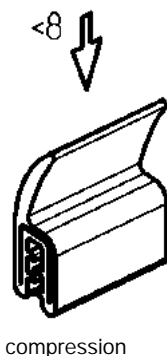
Gasket sponge-rubber (EPDM) black (clamping profile EPDM 60° ± 5 Shore A)

1011-37



Gasket EPDM 60° ± 5 Shore A black

1011-29



Gasket EPDM 60° ± 5 Shore A black

1011-32

Closed cell sponge rubber

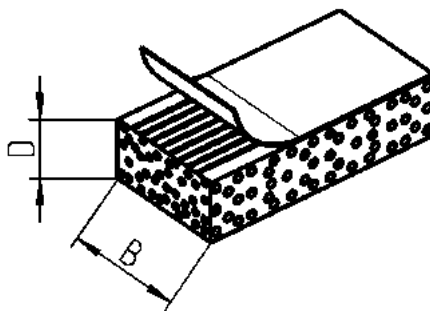
PROGRAM 1016

Coil length:

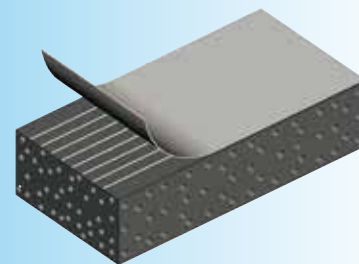
For depths 3 – 7= the coil length a 10 m

For depths 8 – 10= the coil length a 5 m

For depths 11= the coil length a 1 m

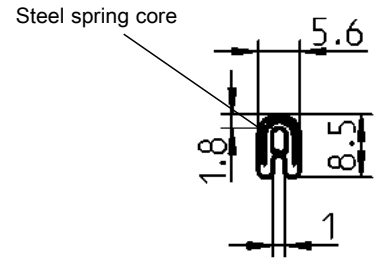
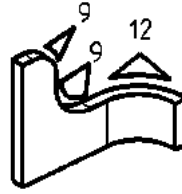
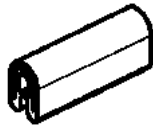
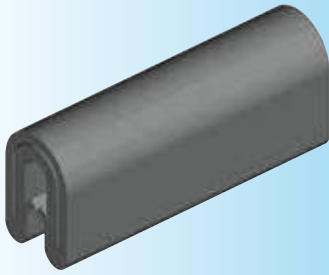


These items can be delivered from stock.
 All others will have a lead time of 2 - 3 weeks.
 Special lengths available in 6 to 8 weeks. Minimum quantity on request
 (Article-No.: 1016- ... - L mm) e.g. 1016-118-1400



Closed cell sponge rubber as requested black with stretch eliminating self-adhesive backing

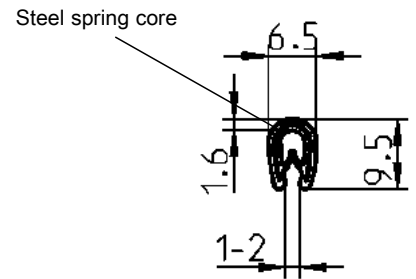
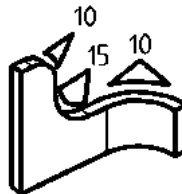
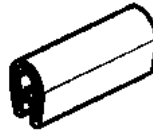
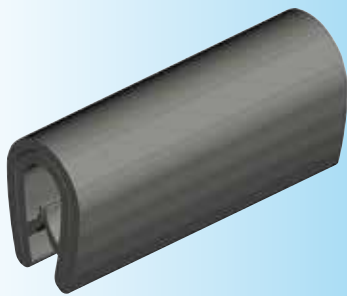
Measurement				Measurement				
Wide	Depth	EPDM	CR	Wide	Depth	EPDM	CR	
10	3	1016-13	1016-61	30	10	1016-123	1016-159	
	4	1016-14	1016-62		12	1016-124	1016-160	
	5	1016-15	1016-63		15	1016-125	1016-161	
	6	1016-75	1016-99		20	1016-126	1016-162	
	8	1016-76	1016-100		25	1016-127	1016-163	
15	10	1016-77	1016-101	40	5	1016-128	1016-164	
	3	1016-16	1016-64		10	1016-129	1016-165	
	4	1016-17	1016-65		15	1016-130	1016-166	
	5	1016-18	1016-66		20	1016-131	1016-167	
	6	1016-78	1016-102		25	1016-132	1016-168	
20	8	1016-79	1016-103	50	30	1016-133	1016-169	
	10	1016-80	1016-104		5	1016-134	1016-170	
	12	1016-81	1016-105		10	1016-135	1016-171	
	15	1016-82	1016-106		15	1016-136	1016-172	
	3	1016-19	1016-67		20	1016-137	1016-173	
25	4	1016-20	1016-68	60	25	1016-138	1016-174	
	5	1016-21	1016-69		30	1016-139	1016-175	
	6	1016-83	1016-107		5	1016-140	1016-176	
	8	1016-84	1016-108		10	1016-141	1016-177	
	10	1016-85	1016-109		15	1016-142	1016-178	
30	12	1016-86	1016-110	70	20	1016-143	1016-179	
	15	1016-87	1016-111		25	1016-144	1016-180	
	20	1016-88	1016-112		30	1016-145	1016-181	
	3	1016-89	1016-113		80	5	1016-146	1016-182
	4	1016-90	1016-114			10	1016-147	1016-183
6	1016-91	1016-115	15	1016-148		1016-184		
8	1016-92	1016-116	20	1016-149		1016-185		
10	1016-93	1016-117	25	1016-150		1016-186		
30	12	1016-94	1016-118	80	30	1016-151	1016-187	
	15	1016-95	1016-119		5	1016-152	1016-188	
	20	1016-96	1016-120		10	1016-153	1016-189	
	3	1016-22	1016-70		15	1016-154	1016-190	
	4	1016-23	1016-71		20	1016-155	1016-191	
30	5	1016-24	1016-72	25	1016-156	1016-192		
	6	1016-97	1016-121	30	1016-157	1016-193		
	8	1016-98	1016-122	40	1016-158	1016-194		



Edge protection PVC 70° ± 5 Shore A colour as requested

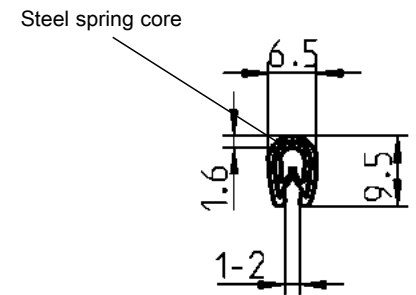
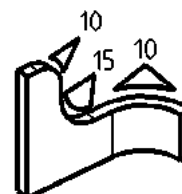
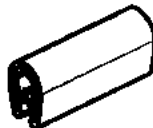
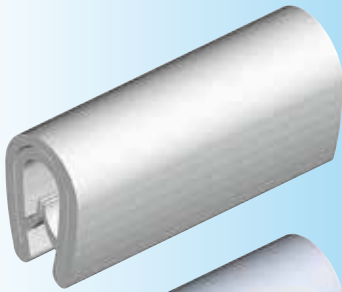
black	1010-03
light-grey	1010-03-01

Temperature = -40°C to 90°C



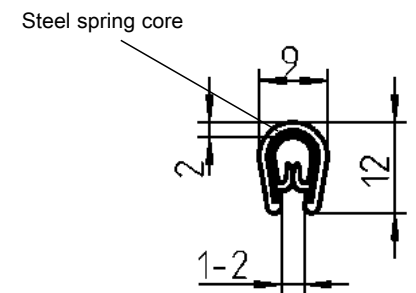
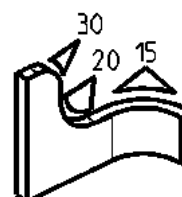
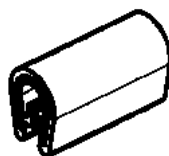
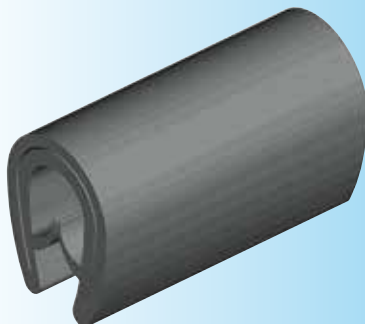
Edge protection PVC 70° ± 5 Shore A black

1010-02



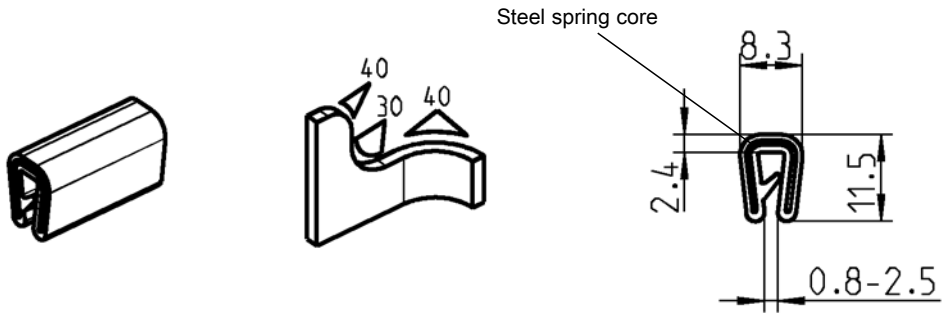
Edge protection PVC 70° ± 5 Shore A colour as requested

white	1010-04-01
silver	1010-04-02



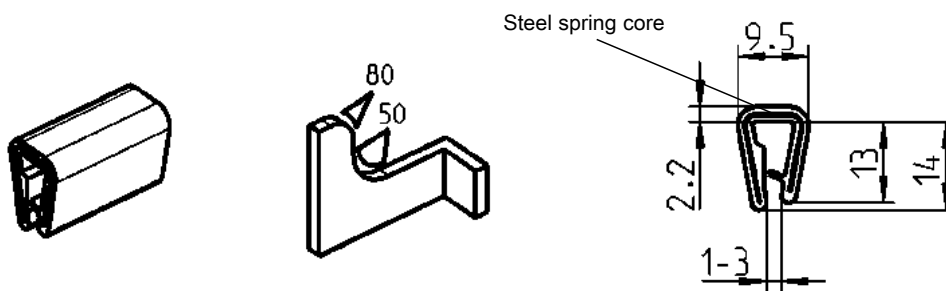
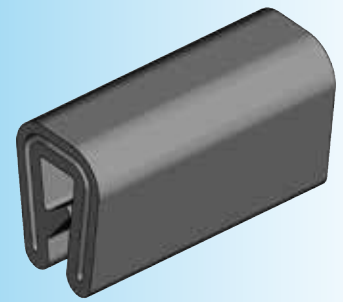
Edge protection PVC 70° ± 5 Shore A black

1010-10



Edge-protection EPDM 60° ± 5 Shore A black

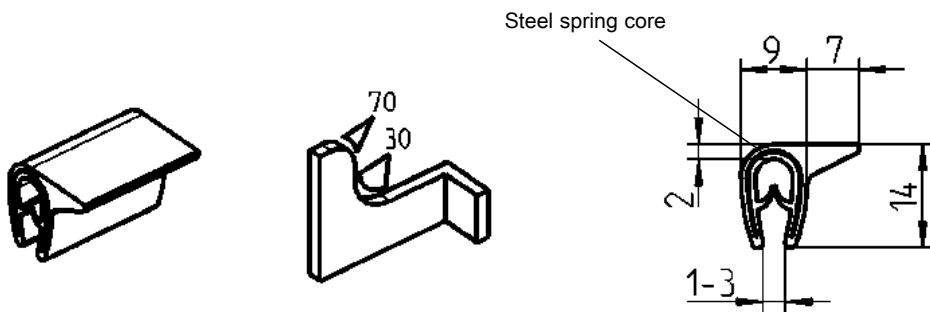
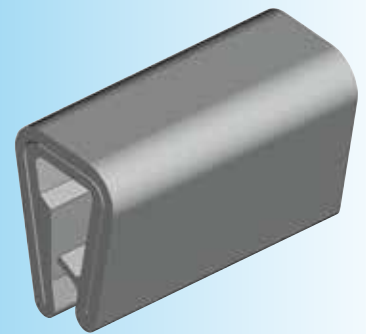
1010-12



Edge protection PVC 70° ± 5 Shore A light-grey

Steel spring core continuous

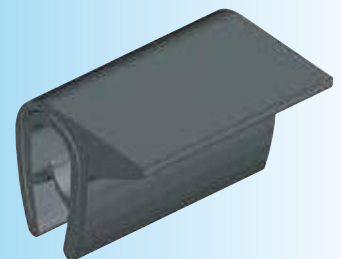
1010-05



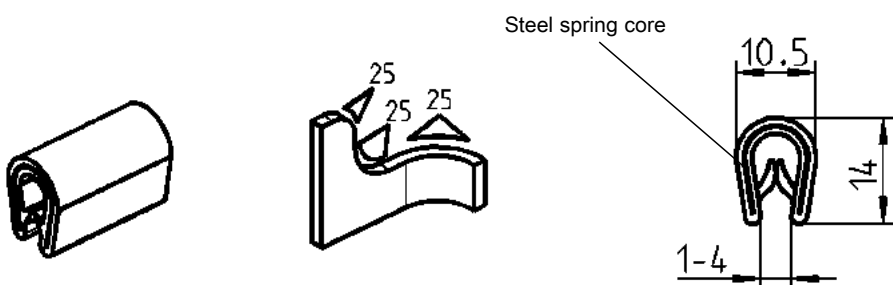
Edge protection PVC 70° ± 5 Shore A anthracite

Steel spring core continuous

1010-09

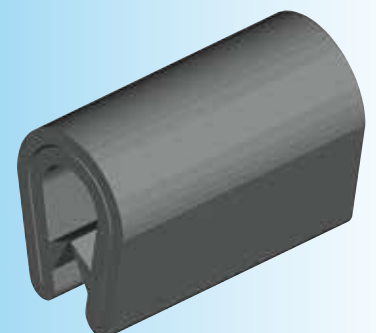


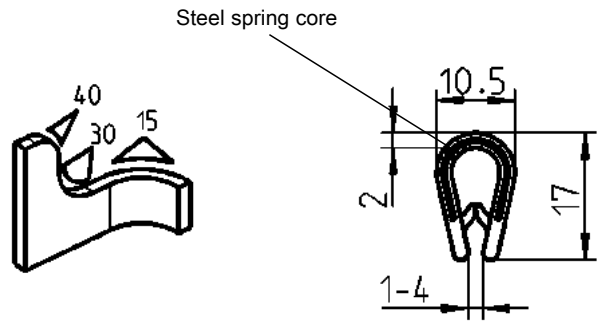
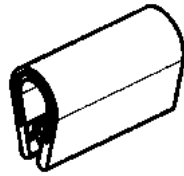
Temperature = -40°C to 90°C



Edge protection PVC 70° ± 5 Shore A black

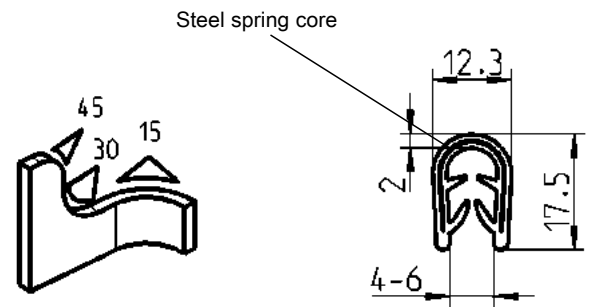
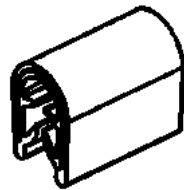
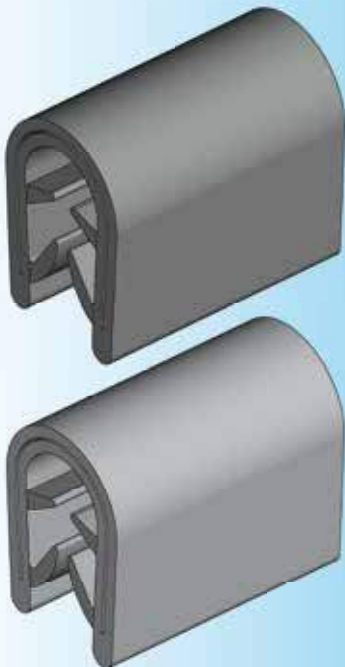
1010-01





Edge protection PVC 70° ± 5 Shore A black

1010-08



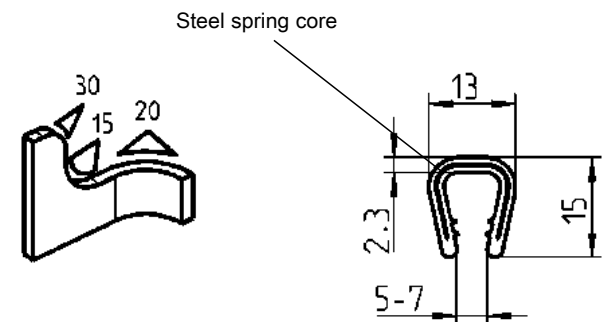
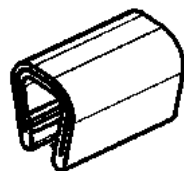
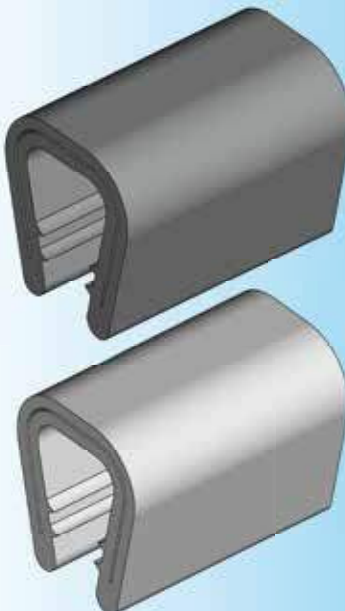
Edge protection PVC 70° ± 5 Shore A colour as requested

black

1010-11

dark grey

1010-11-01



Edge protection PVC 70° ± 5 Shore A colour as requested

black

1010-06

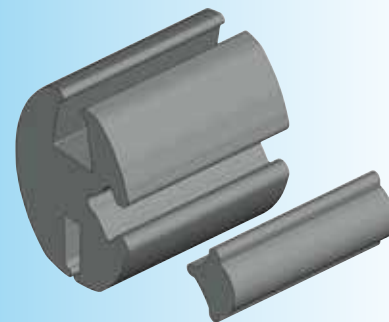
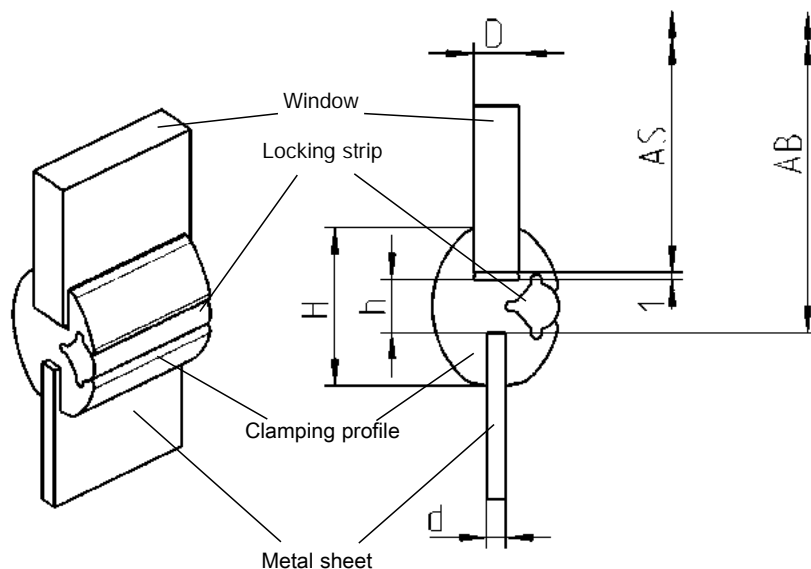
light-grey

1010-06-01

Window-rubber with locking strip

PROGRAM 1030

Beschlagteile



The indication of the bending radius is based on the pane receiver = AS + 1 mm

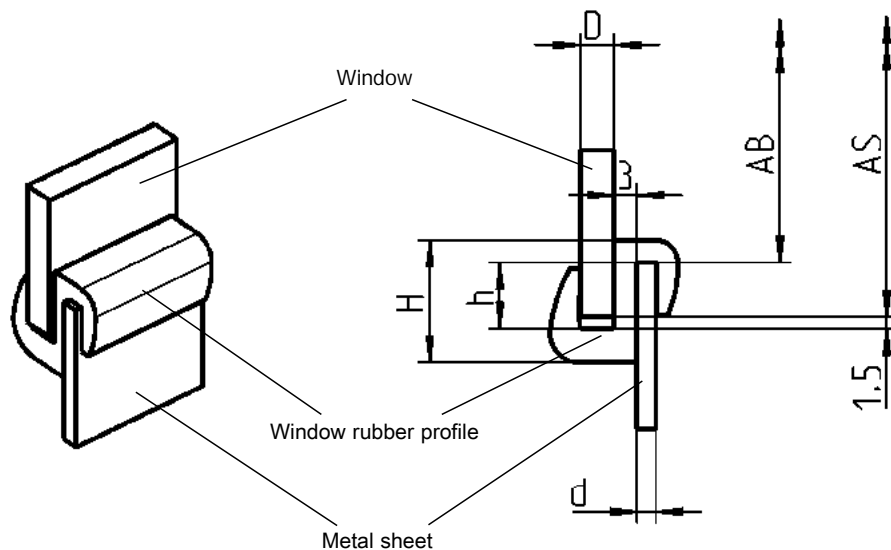
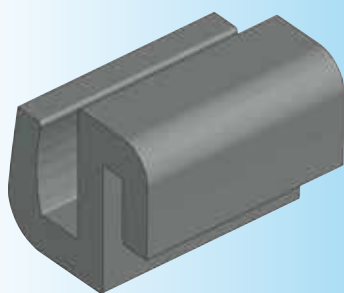
AS = dimension of the window
AB = dimension of the cut out

Clamping profile, black EPDM 75° + 5 Shore
with locking strip, black, EPDM 85° + 5 Shore

D	d	H	h	Bending radius	AB in mm	Clamping profile	+	Locking strip
4	2	15	4	>30	AS+10	1030-01	+	1030-04
4	2,5	21	7	>70	AS+16	1030-02	+	1030-05
6	2,5	21	7	>70	AS+16	1030-03	+	1030-05
5	2	17	5	>50	AS+12	1030-07	+	1030-10

2 tools for installation for window and locking strip

1030-U1

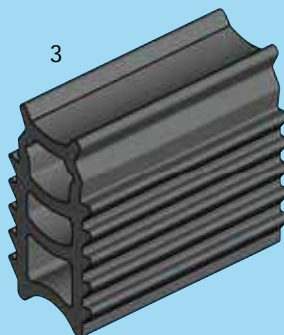
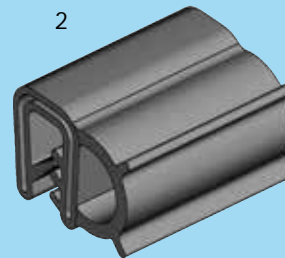
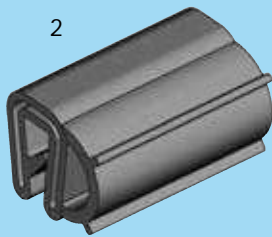
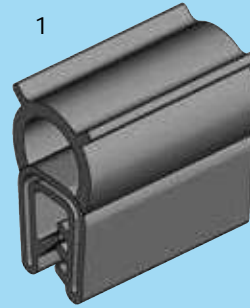


$AB + 14.5 \text{ mm} = AS$
 AS = dimension of the window
 AB = dimension of the cut out

Window rubber profile

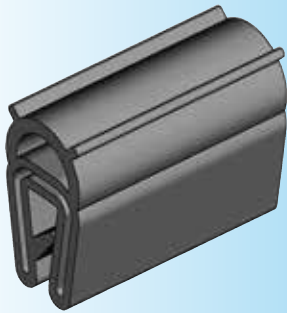
	D	d	H	h	Bending radius	Window rubber profile
EPDM black 60° Shore A	4	2	16,2	8,7	≥ 40	1074-01
NBR 80° Shore A	4	2	16,2	8,7	≥ 40	1074-03
EPDM black 60° Shore A	6	2	16,2	8,7	≥ 40	1074-02
NBR 80° Shore A	6	2	16,2	8,7	≥ 40	1074-04

Gasketing According to VDI 6022

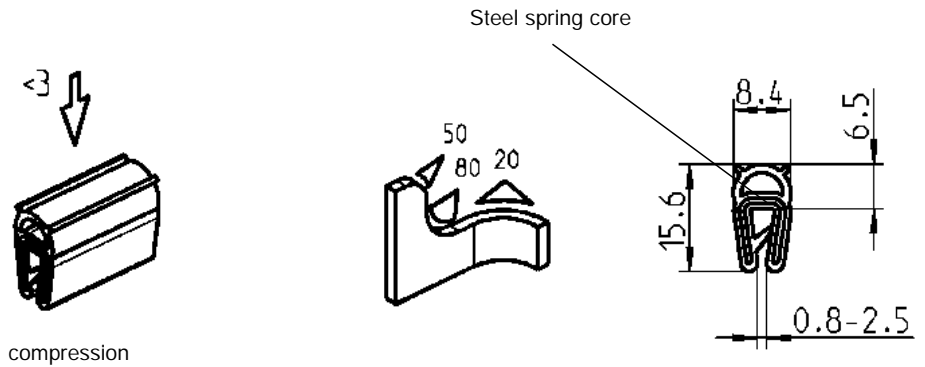


- 1 Self - clamping gasketing 5B-120
- 2 Self - clamping gasketing 5B-120, 5B-140
- 3 Gasketing secured in a U-section 5B-140

5B-100

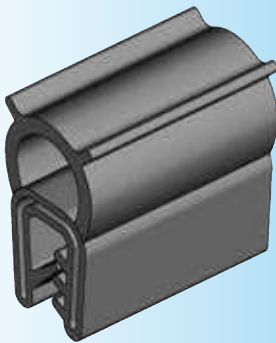


According to VDI 6022

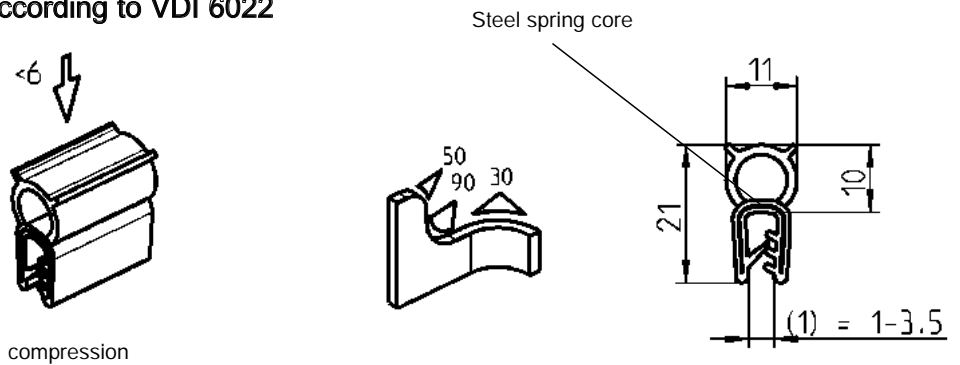


Hollow section (EPDM) black $45^\circ \pm 5$ Shore A
Clamping profile (EPDM) black $60^\circ \pm 5$ Shore A

1011-10-09

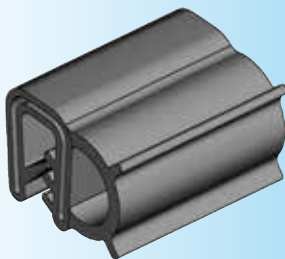


According to VDI 6022

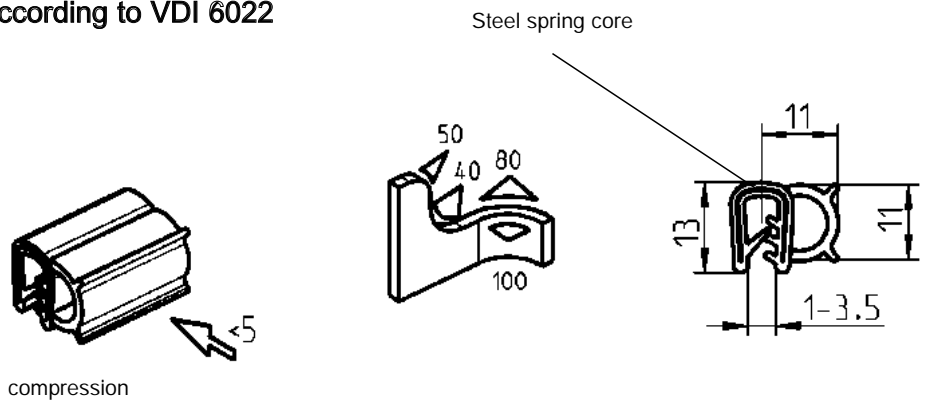


Hollow section (EPDM) black $45^\circ \pm 5$ Shore A
Clamping profile (EPDM) black $60^\circ \pm 5$ Shore A

1011-05-09



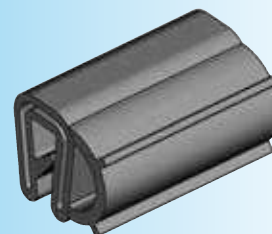
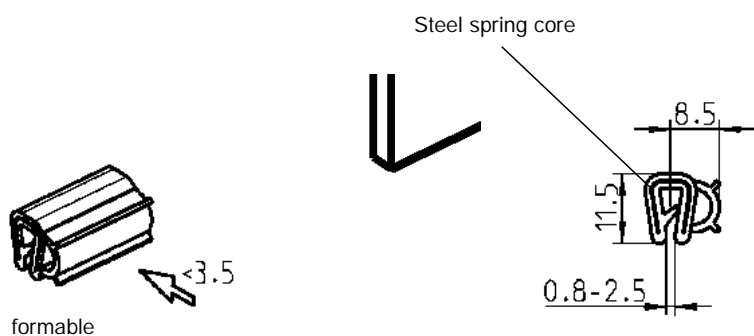
According to VDI 6022



Hollow chamber (EPDM) black $45^\circ \pm 5$ Shore A
Clamping profile (EPDM) black $60^\circ \pm 5$ Shore A

1011-06-09

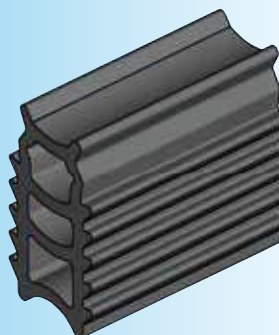
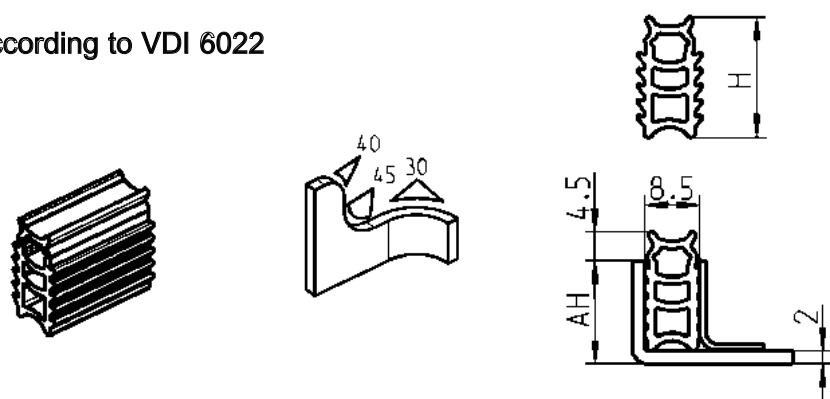
According to VDI 6022



Hollow section (EPDM) black $45^\circ \pm 5$ Shore A
Clamping profile (EPDM) black $60^\circ \pm 5$ Shore A

1011-09-09

According to VDI 6022



4 lip gasket (EPDM) black $45^\circ \pm 5$ Shore A

AH	Height H	
16	18,5	1003-11-N9
18	20,5	1003-12-N9

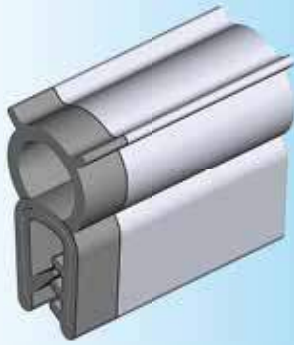
Information on VDI Guideline 6022:

Hygienic standards for ventilation and air-conditioning systems

In guideline 6022 issued by "Verein Deutscher Ingenieure" (VDI) – Association of German Engineers – you can find a description of the minimum hygienic standards for ventilation and air conditioning systems. The guideline formulates requirements that have to be observed for planning, installation, operation and maintenance of ventilation and air-conditioning systems in order to guarantee absolute faultless hygienic condition of the systems as well as the outside air inlets for the air-conditioned premises.

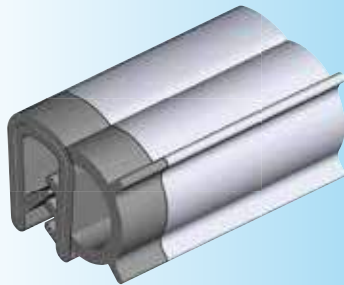
VDI guideline 6022 is valid for the domain of builders, architects, engineers, ventilation planners, manufacturers of air-conditioning systems, machine builders, authorising bodies, operators, service companies, stakeholders of room users (e.g. staff associations or committees as well as company physicians and public health officers).

In line with the latest technical development and scientific knowledge, this guideline is intended to guarantee a precise operation and condition of ventilation and air-conditioning systems by means of preventive technical provisions.

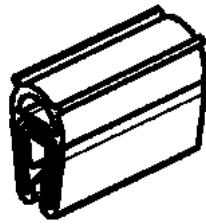


Attention:

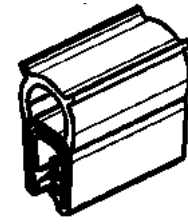
Please provide a contact area for all EMC gasketings. For painted or powder coated cabinets see conductive tape.



EMC gasketing material



Dimensions see catalogue page 5A-220 article 1011-10



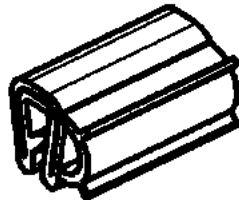
Dimensions see catalogue page 5A-220 article 1011-05

Soft-sponge rubber / EPDM with conductive overall coating and steel spring core

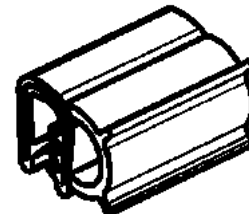
1011-10-E

1011-05-E

EMC gasketing material



Dimensions see catalogue page 5A-240 article 1011-09



Dimensions see catalogue page 5A-260 article 1011-06

Soft-sponge rubber / EPDM with conductive overall coating and steel spring core

1011-09-E

1011-06-E

EMC conductive tape

- for painting and contact
- highly-conductive adhesive for creating paint-free contact areas
- length 25 metres

Note:

- The area to be adhered to has to be free of grease and dust.
- Remove the protective foil from the conductive tape and adhere it to the contact area. For better adhesion the conductive tape is wider than the mask.
- Afterwards painting or coating is possible, the mask prevents the coating adhering to the conductive tape. Please note the following instructions for heat treatment of the conductive tape: max. 120°C permanent heat; short term up to 230°C possible; each time individual testing is necessary.
- After painting or powder coating the mask can be removed easily, the conductive tape is left securely in place.



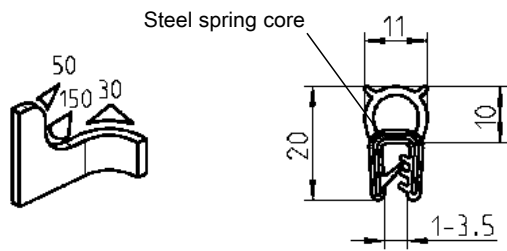
EMC conductive tape

width of tape (mm)	in combination with EMC gasketing	
12,7	--	1016-220-127E
22	1011-09-E; 1011-10-E	1016-220-220E
25,4	1011-05-E; 1011-06-E	1016-220-254E

Further dimensions on request

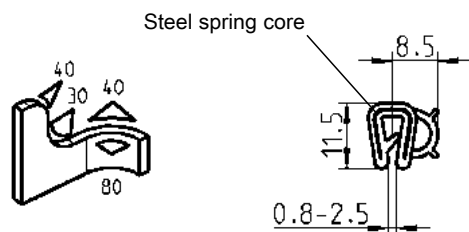
Gaskets made of fire protection compound (EPDM)

PROGRAM 1011



Gasket made of fire protection compound sponge-rubber (EPDM) black (clamping profile EPDM 60° ± 5 Shore A)

1011-05-FR01



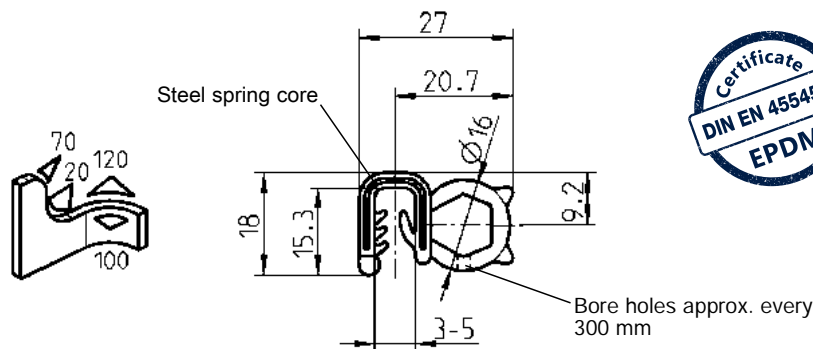
Gasket made of fire protection compound sponge-rubber (EPDM) black (clamping profile EPDM 60° ± 5 Shore A)

1011-09-FR01



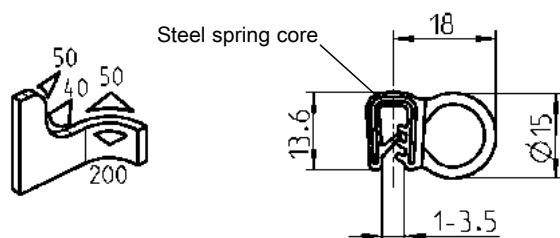
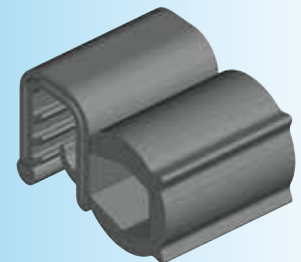
Product benefits

- flame resistant for more safety
- significant cost savings compared to silicone gasketing
- readily customised frames and rings according to customer specifications possible
- profile shapes also individually on customer's request
- reliable top quality from in-house production in Europe



Gasket made of fire protection compound sponge-rubber (EPDM) black (clamping profile EPDM 60° ± 5 Shore A)

1011-45-FR01

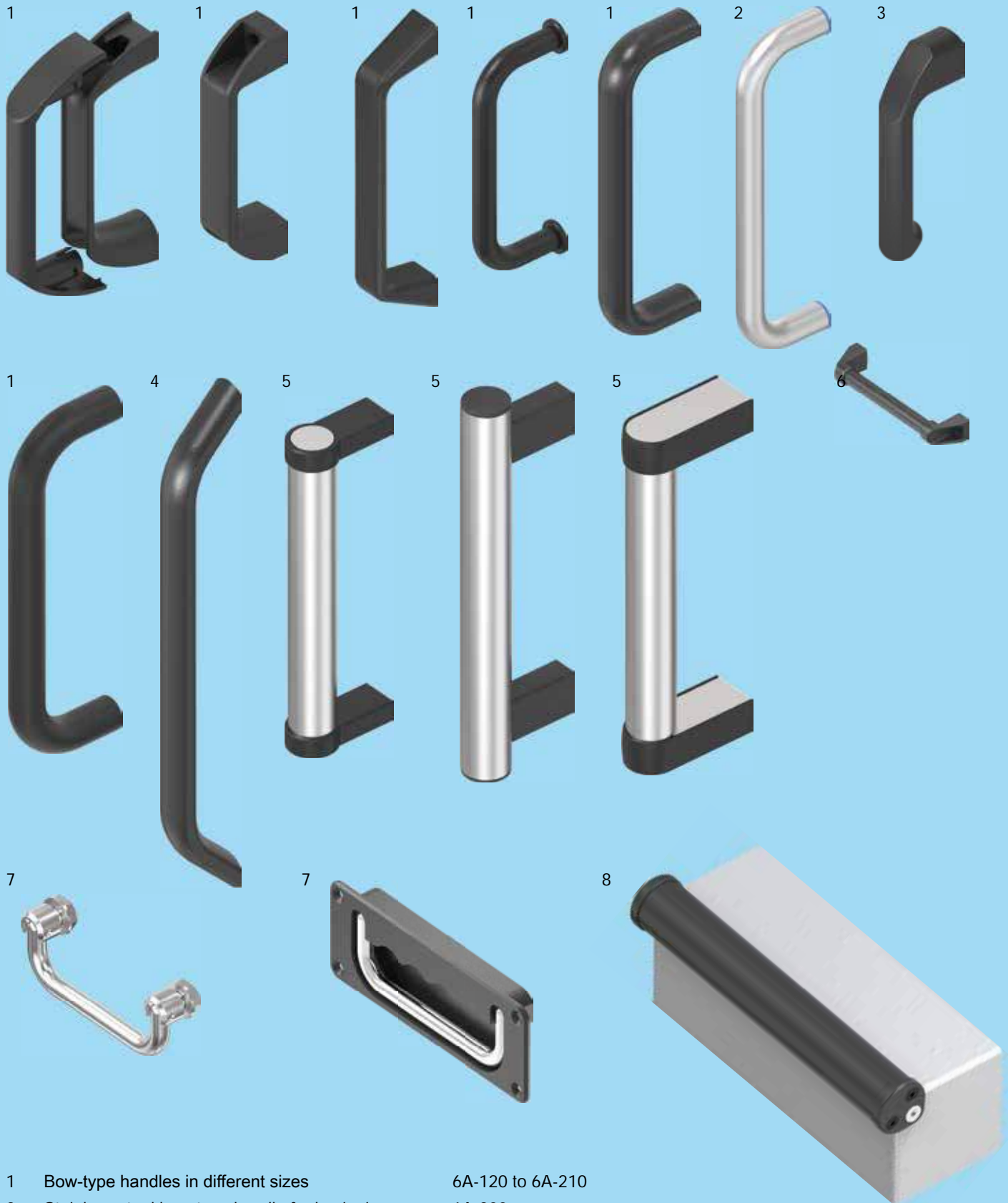


Gasket made of fire protection compound sponge-rubber (EPDM) black (clamping profile EPDM 60° ± 5 Shore A)

1011-51-FR01



Handle Program 1095



- | | | |
|---|--|---------------------|
| 1 | Bow-type handles in different sizes | 6A-120 to 6A-210 |
| 2 | Stainless steel bow-type handle for hygienic areas | 6A-200 |
| 3 | Handle | 6A-440 |
| 4 | Machine handle | 6A-210 |
| 5 | Tube handle with variable length | 6A-320 up to 6A-360 |
| 6 | Handle with variable or fixed length | 6A-220, 6A-240 |
| 7 | Chest handle with variable length | 6A-420 |
| 8 | Edge handle with variable length | 6A-420 |

6A-100

Info

1 Quarter turns

2 Rod controls

3 Locking systems

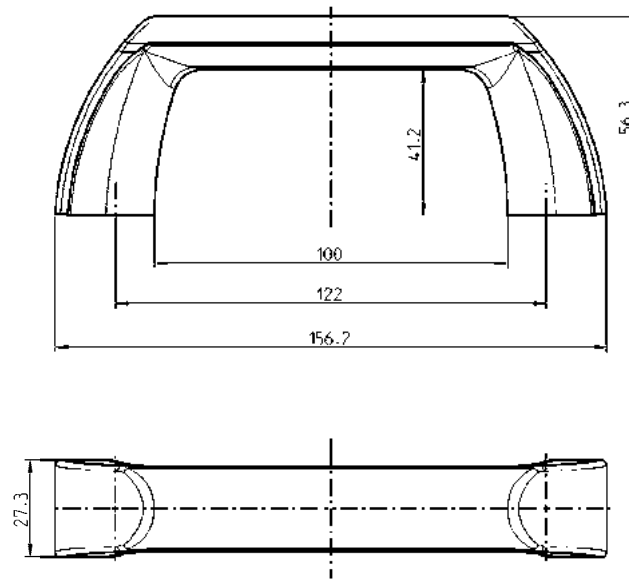
4 Hinges

5 Gasketing

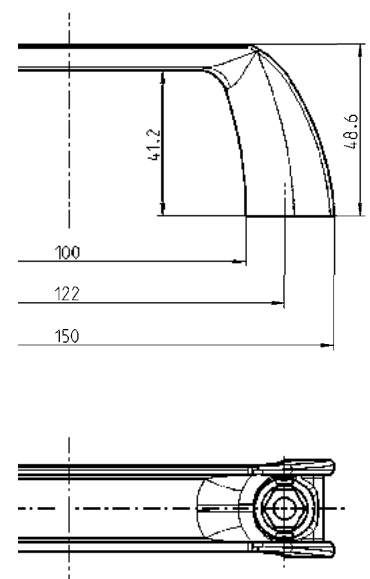
6 Handles



Bow-type handle with cover



Bow-type handle without cover



Bow-type handle polyamide GF black

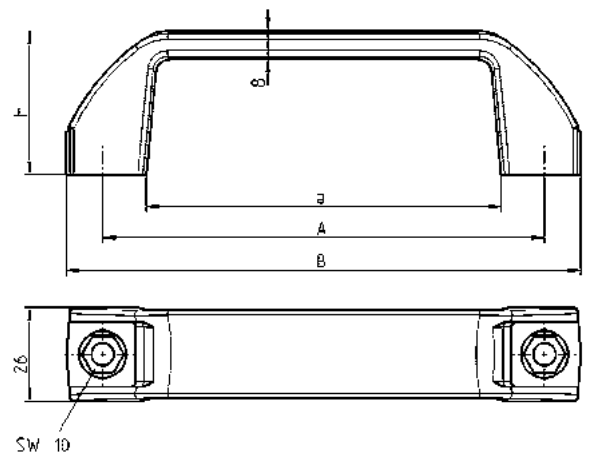
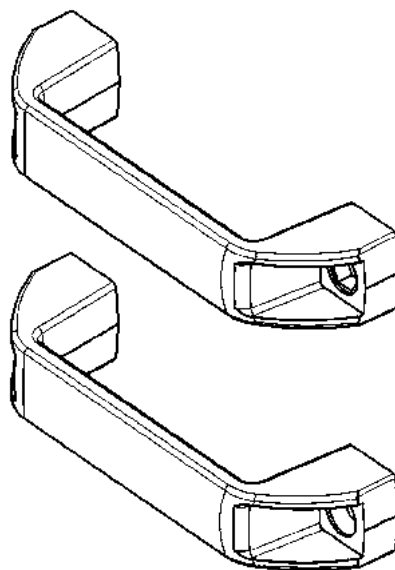
Handle for hexagon or cylinder screw M6 acc. to DIN 4017/1207	1095-35
Handle for countersunk screw M5 or rivet 4.8 mm dia	1095-36

Cover for bow-type handle polyamide GF black

1095-37



Bow-type handle



Version	a	A	B	H
1	98	122	142	40
2	118,5	152	167	53,5

small head = DIN ISO 2009, 2010, 7046-1, 7046-2, 7047

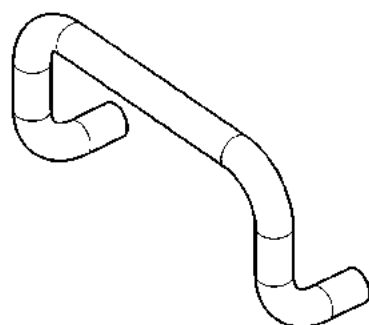
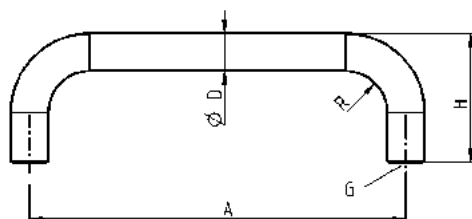
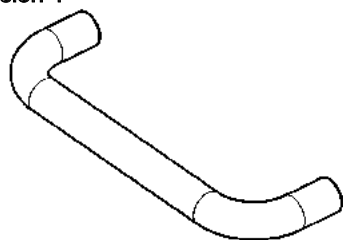
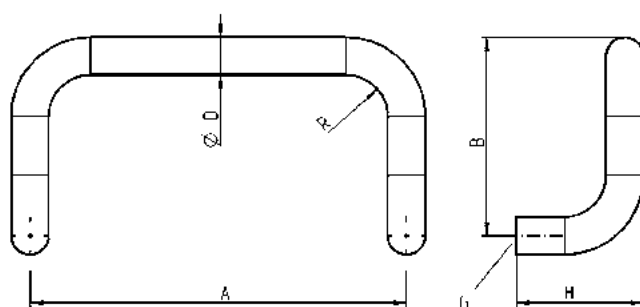
Fastening material is not included in delivery.

Bow-type handle polyamide GF black

	Version 1	Version 2
Handle for hexagon or cylinder screw M6 acc. to DIN 4017/1207	1095-05	1095-19
Handle for countersunk screw M5 or rivet 4.8 mm dia	1095-06	-

Bow-type handle

PROGRAMM 1095

Version 1

Version 2

Version 1

Version 2


Bow-type handle, aluminium raw or black plastic coated,
threaded bush aluminium with $\varnothing D = 28$

Version 1

A	B	D	G	H	R	raw	black
200	-	20	M8x15	68	22	1095-24-200KB	1095-24-200AA
250	-	20	M8x15	68	22	1095-24-250KB	1095-24-250AA
250	-	28	M10x15	78	32	1095-U24-250KB	1095-U24-250AA
300	-	20	M8x15	68	22	1095-24-300KB	1095-24-300AA
300	-	28	M10x15	78	32	1095-U24-300KB	1095-U24-300AA
350	-	20	M8x15	68	22	1095-24-350KB	1095-24-350AA
350	-	28	M10x15	78	32	1095-U24-350KB	1095-U24-350AA
400	-	28	M10x15	78	32	1095-U24-400KB	1095-U24-400AA

Version 2

A	B	D	G	H	R	raw	black
200	105	20	M8x15	68	22	1095-25-200KB	1095-25-200AA
250	120	28	M10x15	78	32	1095-U25-250KB	1095-U25-250AA
300	105	20	M8x15	68	22	1095-25-300KB	1095-25-300AA
350	120	28	M10x15	78	32	1095-U25-350KB	1095-U25-350AA
500	120	28	M10x15	78	32	1095-U25-500KB	1095-U25-500AA

Bow-typed handles with $\varnothing D = 28$ are made of an aluminium tube with the wall thickness of 4 mm.

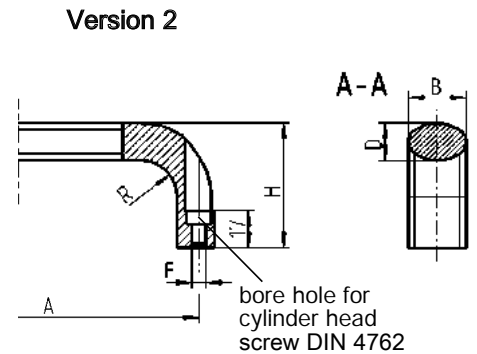
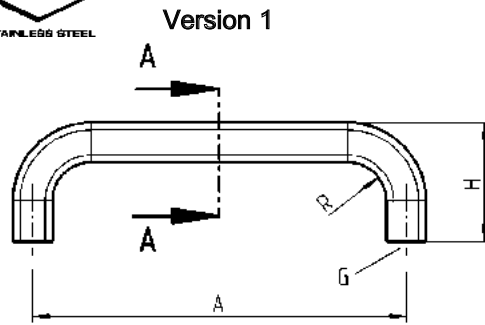
Fastening material is not included in delivery.



Version 1



Version 2



Bow-type handle, aluminium optionally raw, anodized, black plastic coated or stainless steel AISI

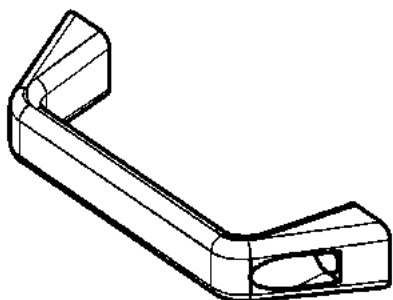
Version 1								
A	B	D	G	H	R	Aluminium raw	Aluminium anodized	Aluminium black
100	20	13	M6x10	47	13	1095-26-100KB	1095-26-100NA	1095-26-100AA
112	20	13	M6x10	49	13	1095-26-112KB	1095-26-112NA	1095-26-112AA
112	26	17	M8x12	53	17	1095-27-112KB	1095-27-112NA	1095-27-112AA
128	20	13	M6x10	51	13	1095-26-128KB	1095-26-128NA	1095-26-128AA
128	26	17	M8x12	55	17	1095-27-128KB	1095-27-128NA	1095-27-128AA
160	20	13	M6x10	51	13	1095-26-160KB	1095-26-160NA	1095-26-160AA
160	26	17	M8x12	57	17	1095-27-160KB	1095-27-160NA	1095-27-160AA
192	26	17	M8x12	57	17	1095-26-192KB	1095-26-192NA	1095-26-192AA
200	20	13	M6x10	51	13	1095-26-200KB		1095-26-200AA
300	26	17	M8x12	57	17	1095-26-300KB	1095-26-300NA	1095-26-300AA
400	26	17	M8x12	57	17	1095-26-400KB	1095-26-400NA	1095-26-400AA
500	26	17	M8x12	57	17	1095-26-500KB	1095-26-500NA	1095-26-500AA
A	B	D	G	H	R			AISI 304
112	20	13	M6x10	49	13			1095-26-112PC
128	20	13	M6x10	51	13			1095-26-128PC
160	20	13	M6x10	51	13			1095-26-160PC
Version 2								
A	B	D	F	H	R	Aluminium raw	Aluminium anodized	Aluminium black
100	20	13	Ø 5,4	49	13	1095-42-100KB		1095-42-100AA
112	20	13	Ø 5,4	49	13	1095-42-112KB		1095-42-112AA
116	26	17	Ø 6,4	55	17	1095-28-116KB	1095-28-116NA	1095-28-116AA
120	20	13	Ø 5,4	51	13	1095-42-120KB		1095-42-120AA
128	20	13	Ø 5,4	51	13	1095-42-128KB		1095-42-128AA
132	26	17	Ø 6,4	55	17	1095-28-132KB	1095-28-132NA	1095-28-132AA
160	20	13	Ø 5,4	51	13	1095-42-160KB		1095-42-160AA
164	26	17	Ø 6,4	57	17	1095-28-164KB	1095-28-164NA	1095-28-164AA
196	26	17	Ø 6,4	57	17	1095-28-196KB	1095-28-196NA	1095-28-196AA
A	B	D	F	H	R		AISI CF-8	AISI 316
112	20	13	Ø 5,4	49	13		1095-42-112PS	
116	26	17	Ø 6,4	55	17			1095-28-116PH
128	20	13	Ø 5,4	51	13		1095-42-128PS	
160	20	13	Ø 5,4	51	13		1095-42-160PS	

Fastening material is not included in delivery.

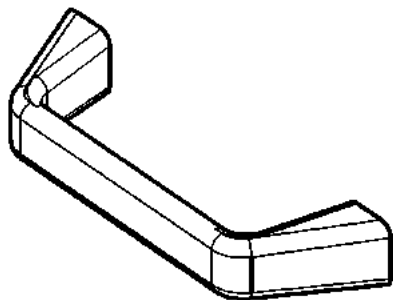
Bow-type handle

PROGRAM 1095

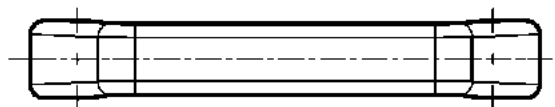
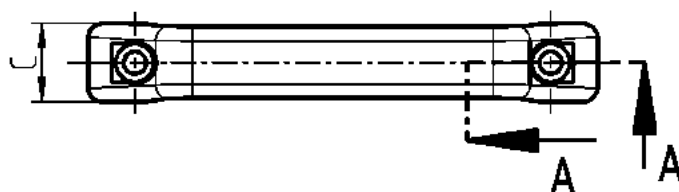
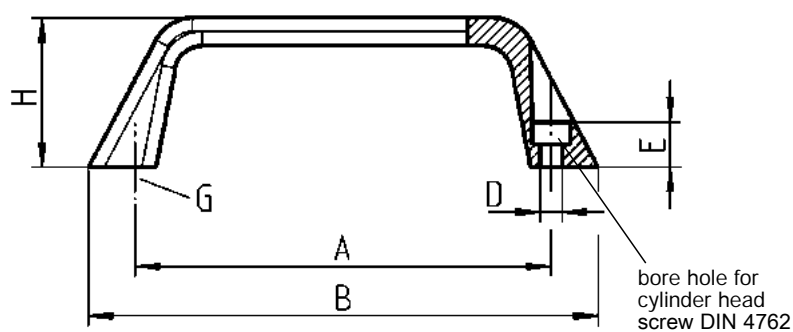
Version 1



Version 2



A-A



Version 1



Version 2

Bow-type handle aluminium GD-AI optionally raw or black plastic coated

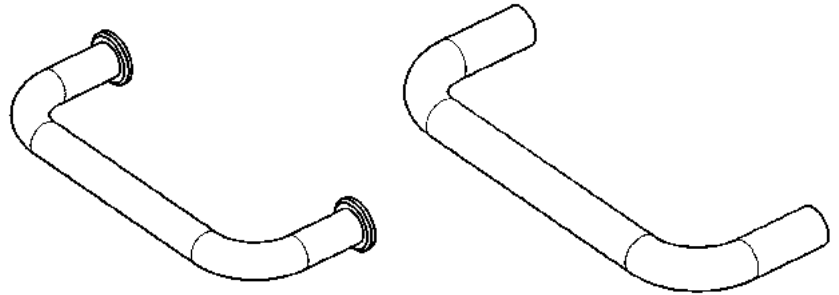
Version 1

A	B	C	D	E	H	raw	black
120	147	22.5	6.4	13	43	1095-29-120KB	1095-29-120AA
180	215	27	8.4	16	48	1095-29-180KB	1095-29-180AA

Version 2

A	B	C	G	H		raw	black
120	147	22.5	M6x10	43		1095-30-120KB	1095-30-120AA
180	215	27	M8x12	48		1095-30-180KB	1095-30-180AA

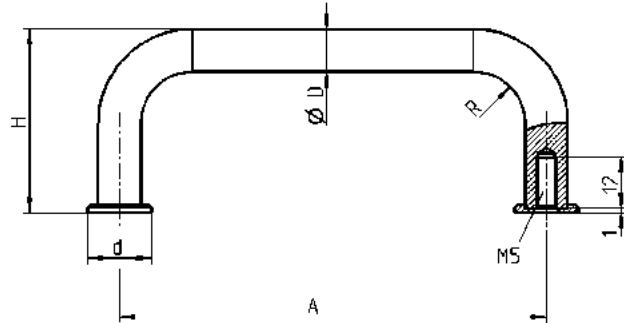
Fastening material is not included in delivery.



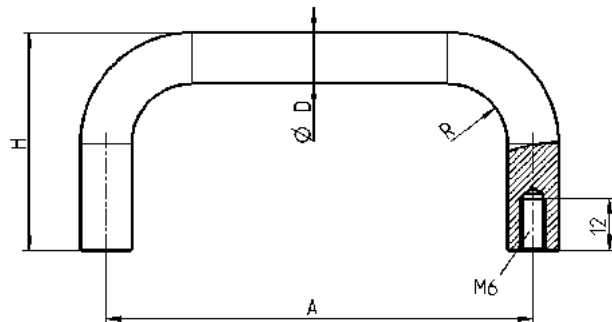
Version 1



Version 1



Version 2



Version 2



Bow-type handle optionally aluminium black plastic coated, m.s. black plastic coated or stainless steel AISI

Version 1 with threaded hole M5

A	D	d	H	R		Aluminium black	m.s. black
100	10	15	43	12		1095-U35-100AA	1095-U35-100RA
200	10	15	43	12		1095-U35-200AA	1095-U35-200RA
A	D	d	H	R		AISI 303	AISI 316L
100	10	15	43	12		1095-U35-100PF	1095-U35-100PK
200	10	28	43	12		1095-U35-200PF	1095-U35-200PK

Version 2 with threaded hole M6

A	D	d	H	R		Aluminium black	m.s. black
125	12	-	51	14		1095-38-125AA	1095-38-125RA
250	12	-	51	14		1095-38-250AA	1095-38-250RA
A	D	d	H	R		AISI 304	AISI 316L
125	12	-	51	14		1095-38-125PC	
250	12	-	51	14		1095-38-250PC	

Version 2 without threaded hole M6

A	D	d	H	R		AISI 304	
125	12	-	51	14		1095-39-125PC	

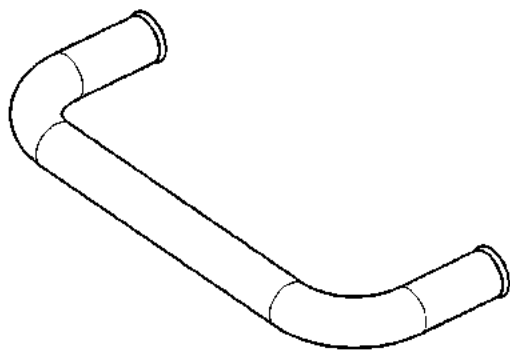
Fastening material is not included in delivery.

Stainl. steel bow-type handle for hygienic areas

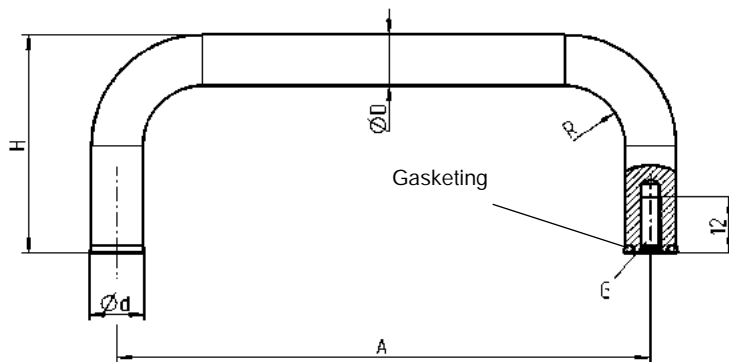
Bow-type handle

PROGRAM 1095

Beschlagteile

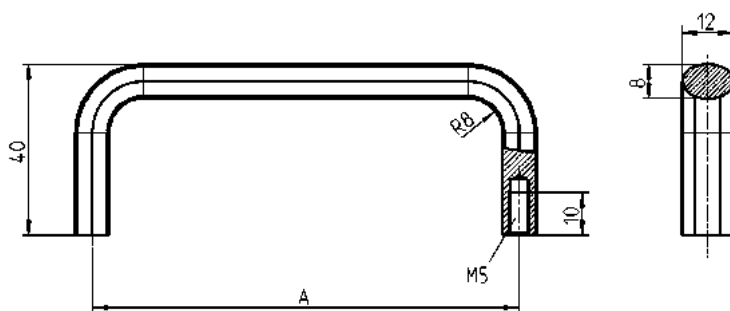
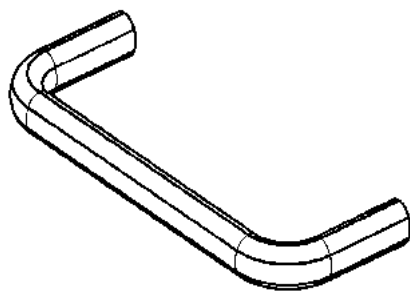


Stainless steel bow-type handle for hygienic areas with flat gas-ket flush in the outside



Stainless steel AISI 316L bow-type handle for hygienic areas, with seal

A	D	d	G	H	R	
125	12	12,8	M5	51	14	1095-U38-125PK
200	16	16,8	M6	59	18	1095-U39-200PK



* Bow-type handle aluminium black plastic coated

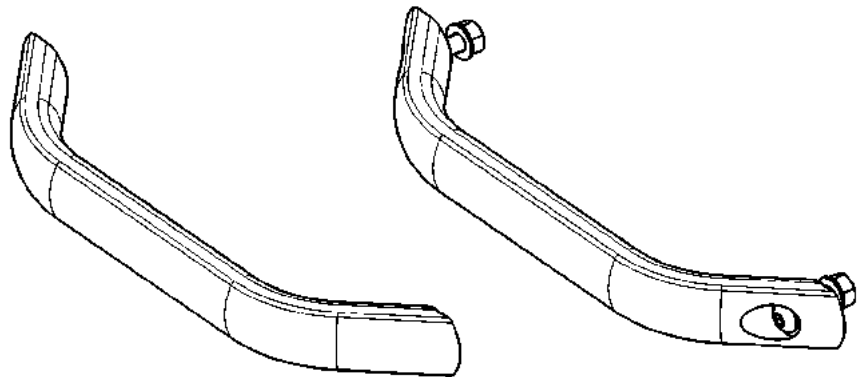
A	
100	1095-40-100AA
120	1095-40-120AA
180	1095-40-180AA
200	1095-40-200AA



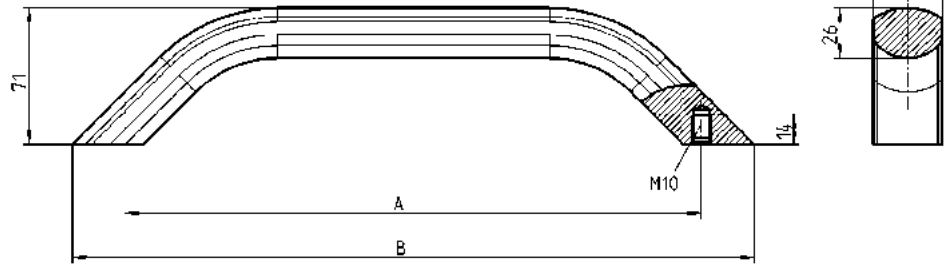
* Fastening material is not included in delivery.

Version 1

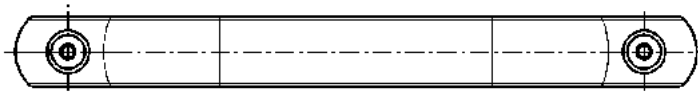
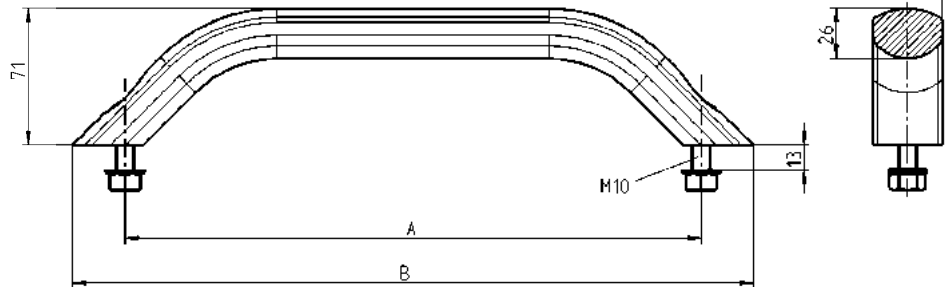
Version 2



* Version 1



Version 2



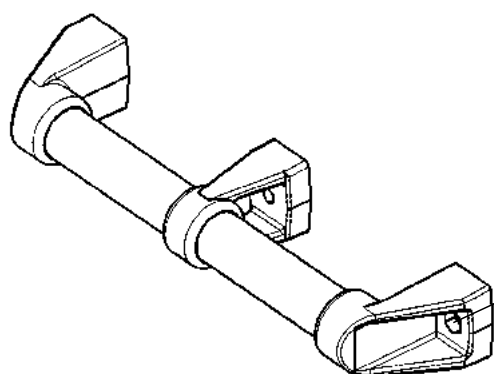
Machine handle aluminium black plastic coated;
Version 2: screw, washer and nut AISI 304

A	B	Version 1	Version 2
500	555	1095-41-500AA	1095-U36-500AA
600	655	1095-41-600AA	1095-U36-600AA
800	855	1095-41-800AA	1095-U36-800AA

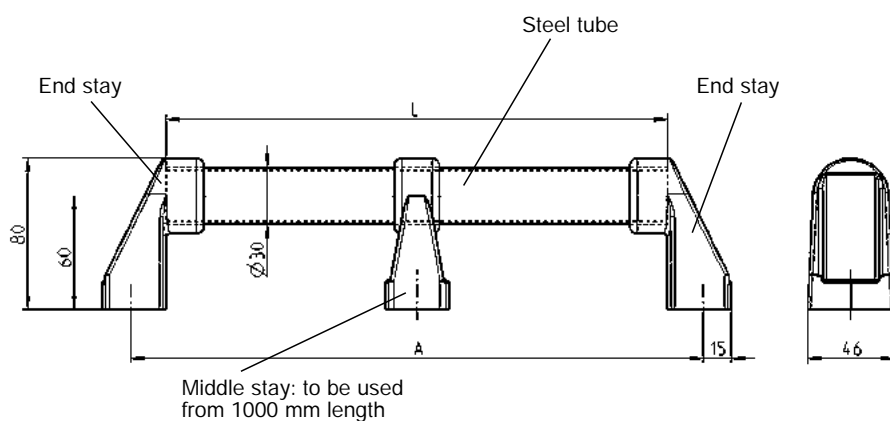
* Fastening material is not included in delivery.

Handle with variable length

PROGRAM 1095



for hexagon or pan head screw M8 according to DIN 4017/1207



End stay polyamide GF black

1095-07

Middle stay polyamide GF black

1095-20

Steel tube Ø 30 black coated

L	A		L	A	
266	300	1095-08	366	400	1095-09
466	500	1095-10	566	600	1095-11
666	700	1095-13	766	800	1095-14
2500	2534	1095-21			

up to 5000 mm *

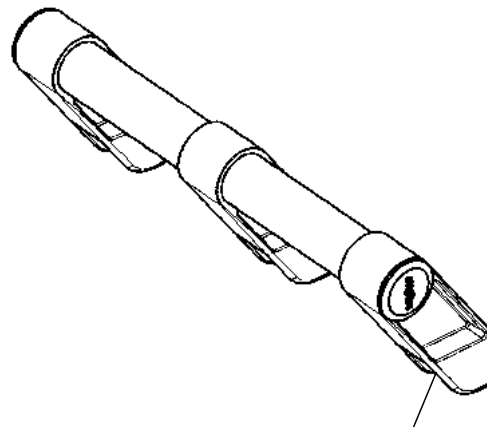
1095-12-L mm

* Minimum quantity and delivery time on request!

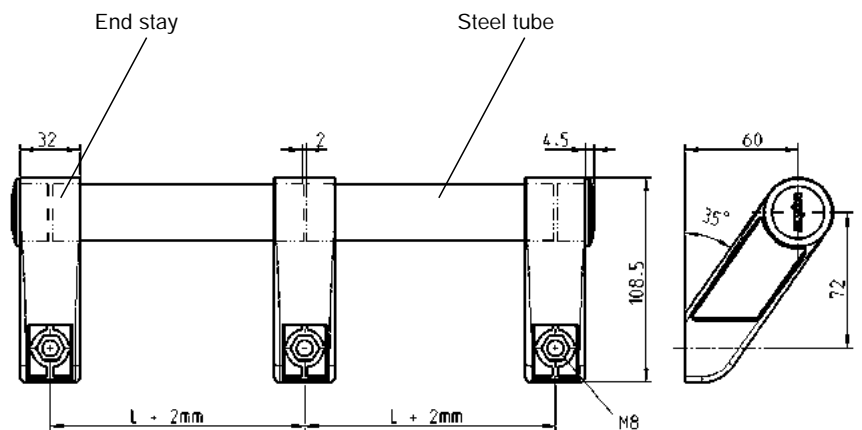
Handle with variable length

Fastening material is not included in delivery.

- Info
- 1 Quarter turns
- 2 Rod controls
- 3 Locking systems
- 4 Hinges
- 5 Gasketing
- 6 Handles



for hexagon or pan head screw M8 according to DIN 4017/1207



Handle stay is usable as LH/RH and as a middle stay. When used as a middle stay the tube has to be split.

Handle with variable length (35°-Slope)

Fastening material is not included in delivery.

Handle stay polyamide black for hexagon or pan head screw M8 with 1 plug polypropylene black

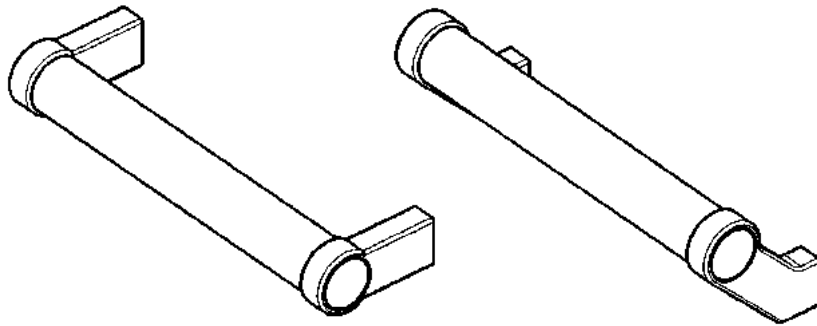
1095-U01

Steel tube Ø 30 black coated

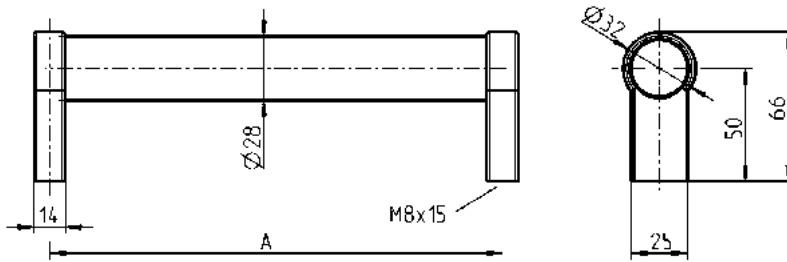
L = 266	1095-08	L = 366	1095-09
L = 466	1095-10	L = 566	1095-11
L = 666	1095-13	L = 766	1095-14
up to 5000 mm *		1095-12-L mm	

* * Minimum quantity and delivery time on request!

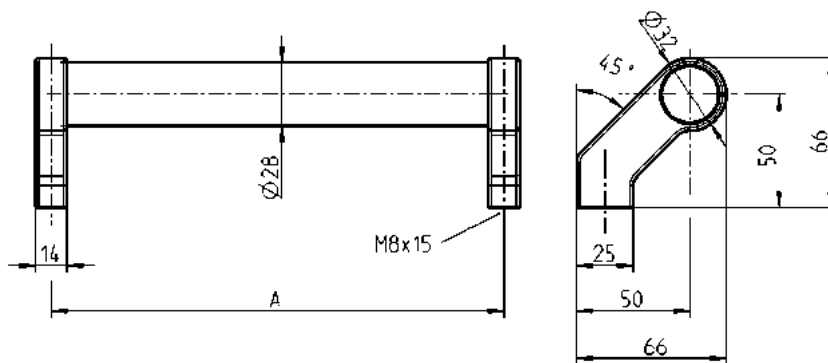
Tube handle PROGRAM 1095



Version 1



Version 2



Version 1



Version 2

Tube handle, aluminium anodized or black plastic coated, posts zinc alloy black plastic coated, plastic cap light grey, screw m.s. zinc plated

Version 1

A	anodized	black
200	1095-U26-200NA	1095-U26-200AA
250	1095-U26-250NA	1095-U26-250AA
300	1095-U26-300NA	1095-U26-300AA
400	1095-U26-400NA	1095-U26-400AA
500	1095-U26-500NA	1095-U26-500AA
600	1095-U26-600NA	1095-U26-600AA

Version 2

A	anodized	black
200	1095-U27-200NA	1095-U27-200AA
250	1095-U27-250NA	1095-U27-250AA
300	1095-U27-300NA	1095-U27-300AA
400	1095-U27-400NA	1095-U27-400AA
500	1095-U27-500NA	1095-U27-500AA
600	1095-U27-600NA	1095-U27-600AA

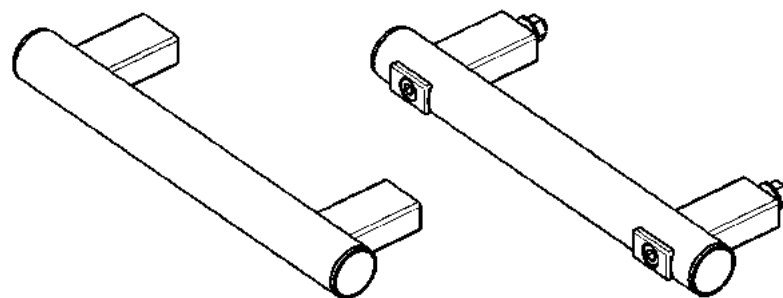
Fastening material is not included in delivery.



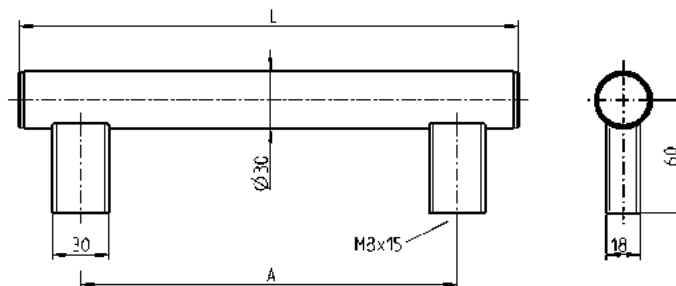
Version 1



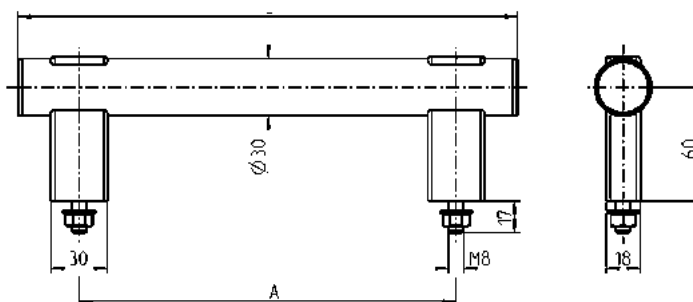
Version 2



* Version 1



Version 2



Tube handle, aluminium anodized or black plastic coated with black polyamide GF posts, plastic cap black, fastening screw and nut m.s. zinc plated

Version 1

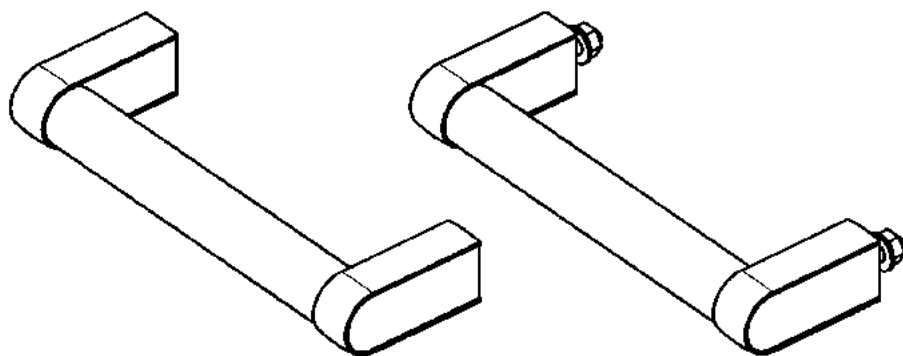
A	L	anodized	black
200	265	1095-U28-200NA	1095-U28-200AA
250	315	1095-U28-250NA	1095-U28-250AA
300	365	1095-U28-300NA	1095-U28-300AA
400	465	1095-U28-400NA	1095-U28-400AA
500	565	1095-U28-500NA	1095-U28-500AA
600	665	1095-U28-600NA	1095-U28-600AA

Version 2

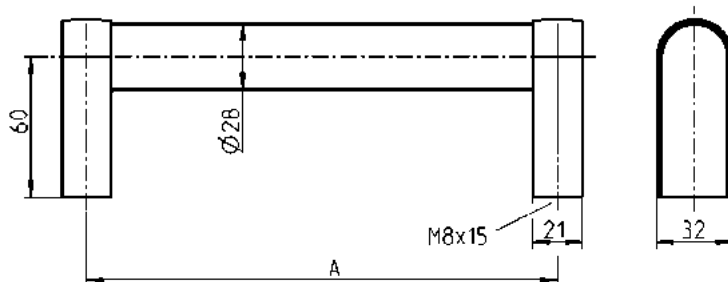
A	L	anodized	black
200	265	1095-U29-200NA	1095-U29-200AA
250	315	1095-U29-250NA	1095-U29-250AA
300	365	1095-U29-300NA	1095-U29-300AA
400	465	1095-U29-400NA	1095-U29-400AA
500	565	1095-U29-500NA	1095-U29-500AA
600	665	1095-U29-600NA	1095-U29-600AA

* Fastening material is not included in delivery.

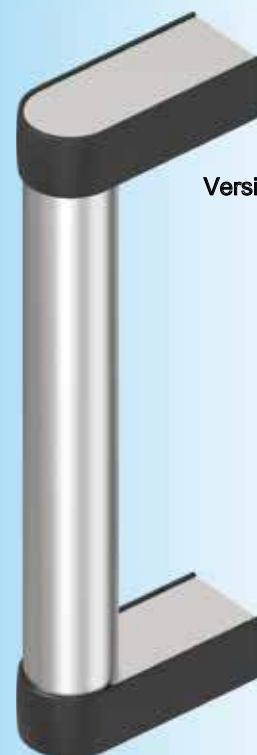
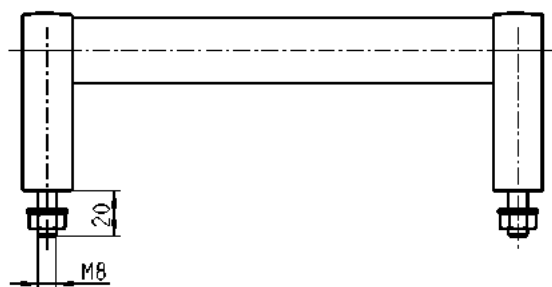
Tube handle PROGRAM 1095



* Version 1



Version 2



Version 1



Version 2

Tube handle and posts: aluminium anodized or black plastic coated,
cover polyamide black, screw and nut m.s. zinc plated

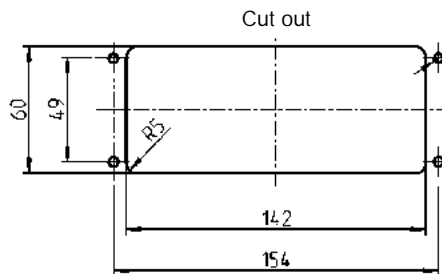
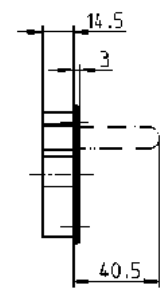
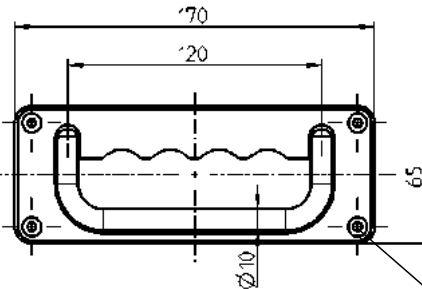
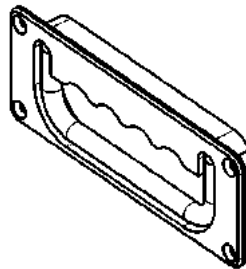
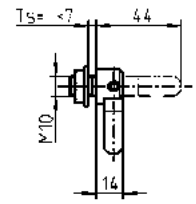
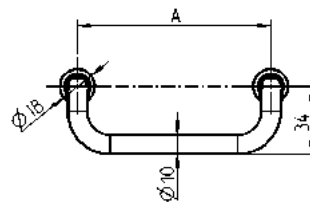
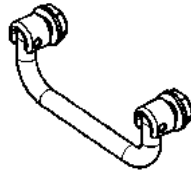
Version 1

A	anodized	black
200	1095-U30-200NA	1095-U30-200AA
250	1095-U30-250NA	1095-U30-250AA
300	1095-U30-300NA	1095-U30-300AA
400	1095-U30-400NA	1095-U30-400AA
500	1095-U30-500NA	1095-U30-500AA
600	1095-U30-600NA	1095-U30-600AA

Version 2

A	anodized	black
200	1095-U31-200NA	1095-U31-200AA
250	1095-U31-250NA	1095-U31-250AA
300	1095-U31-300NA	1095-U31-300AA
400	1095-U31-400NA	1095-U31-400AA
500	1095-U31-500NA	1095-U31-500AA
600	1095-U31-600NA	1095-U31-600AA

* Fastening material is not included in delivery.



* Fixing hole for counter-sunk screw M4 DIN 7991

** = on request

- Handle length 100 instead of 120
- with spring reset of the handle when folded in

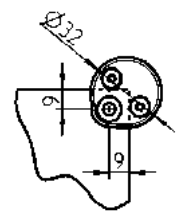
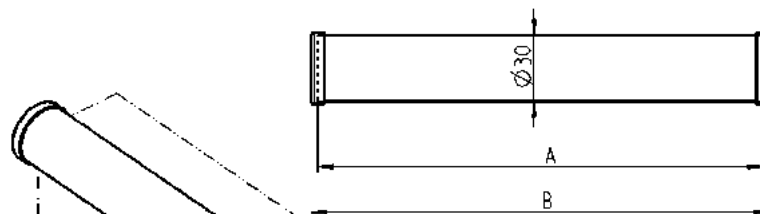
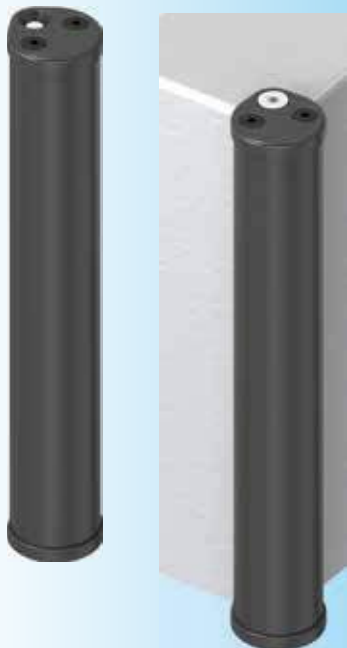
Chest handle m.s. chrome plated or stain. st. AISI 303, fastening mat. AISI 303

A	m.s. chrome pl.	AISI 303
100	1095-U32-100IA	1095-U32-100PF
120	1095-U32-120IA	1095-U32-120PF
180	1095-U32-180IA	1095-U32-180PF

Recessed chest handle m.s. chrome plated, tray zinc die black

with locking mechanism of the handle both when folded in and out

1095-U32-AA **



* fixing hole for countersunk screw small head M5

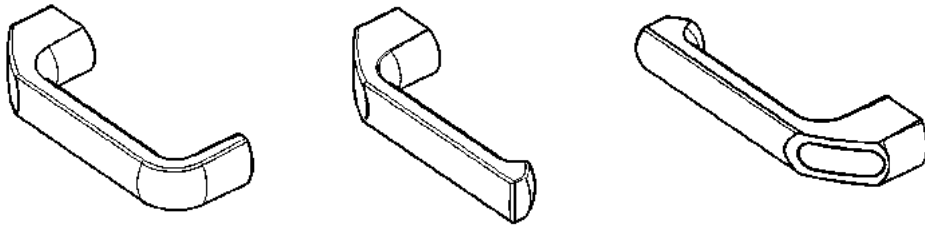
Edge handle aluminium profile black plastic coated, end pieces zinc die black plastic coated, screws m.s. black

A	B	
100	106	1095-U33-100AA
200	206	1095-U33-200AA
300	306	1095-U33-300AA
400	406	1095-U33-400AA
500	506	1095-U33-500AA

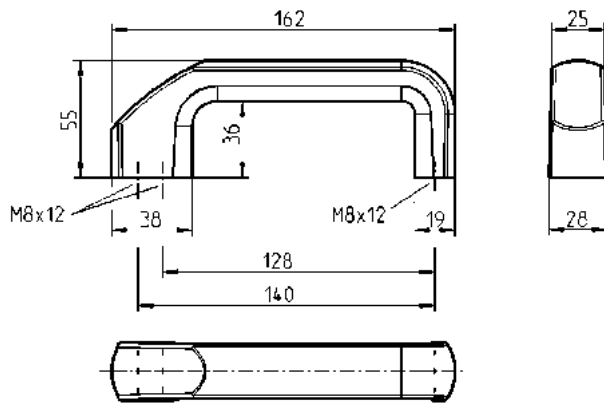
* Fastening material is not included in delivery.

Handle

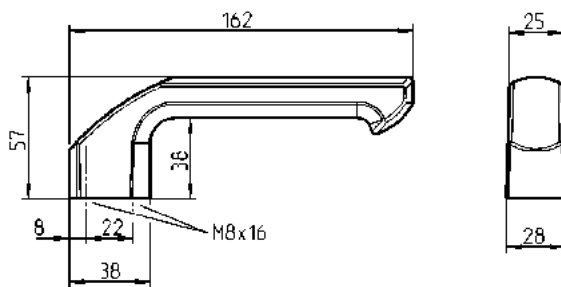
PROGRAM 1095



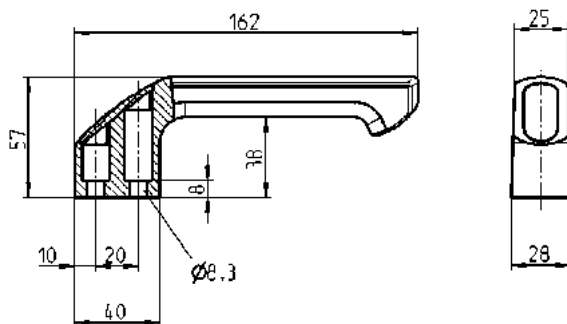
Version 1



Version 2



Version 3



Version 1



Version 2



Version 3

Pull Handle aluminium black plastic coated

Version 1

1095-31-200AA

Version 2

1095-32-200AA

Version 3 with cover polyamide black

1095-U37-AA

Fastening material is not included in delivery.

Info

Quarter turns

1

2

3

4

5

6

Handles

Gasketing

Hinges

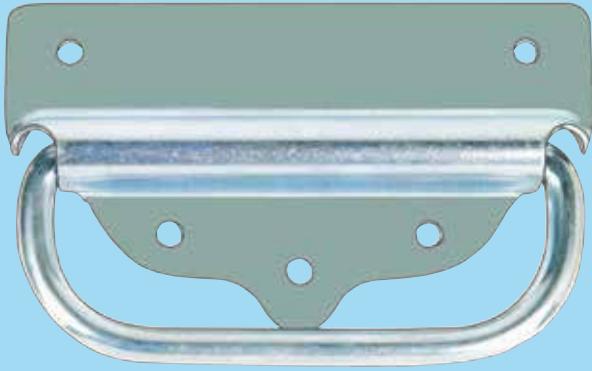
Locking systems

Rod controls

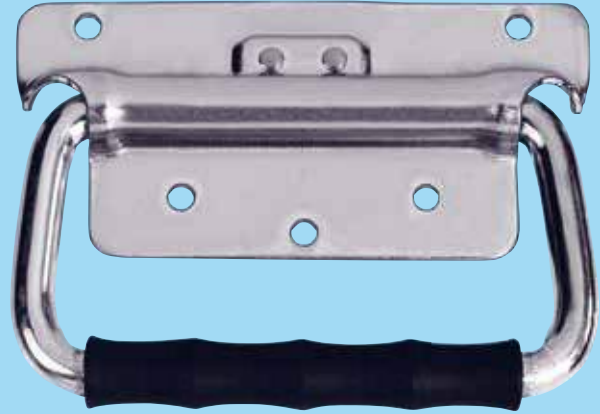
Notes

Handle Program 6040

1



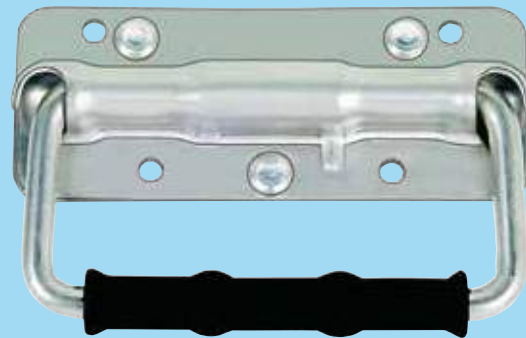
2



3



4



5



6



- | | | |
|---|-----------------------|--------|
| 1 | Chest handle | 6B-120 |
| 2 | Chest handle | 6B-140 |
| 3 | Recessed chest handle | 6B-160 |
| 4 | Chest handle | 6B-180 |
| 5 | Bow-type handle | 6B-220 |
| 6 | Chest handle | 6B-240 |

Surface protection for steel parts:
zinc plated, thick-film passivated (DS)
and top coat sealed.

6B-100

Info

1 Quarter turns

2 Rod controls

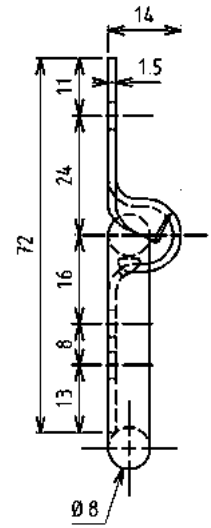
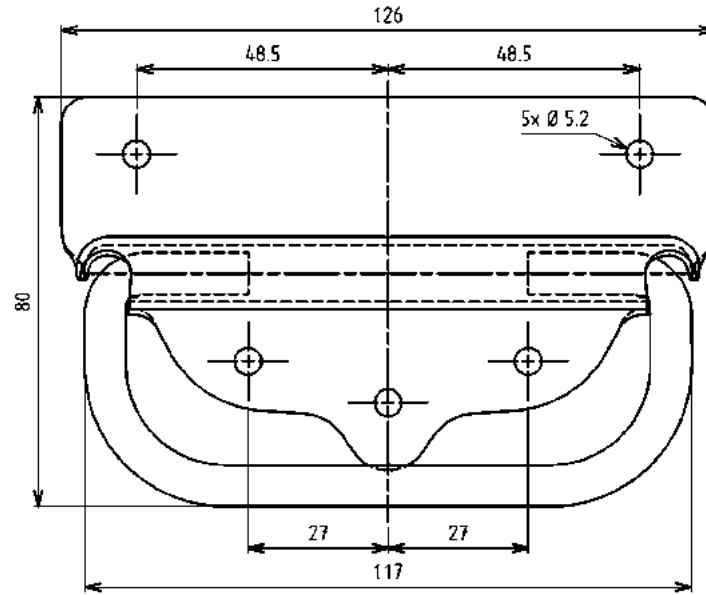
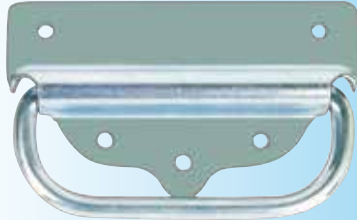
3 Locking systems

4 Hinges

5 Gasketing

6 Handles

INOX
AISI
3..



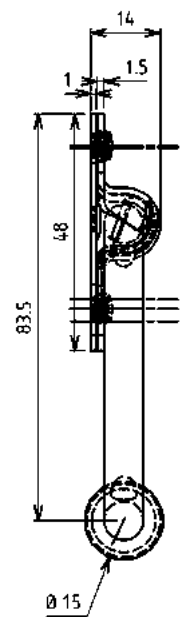
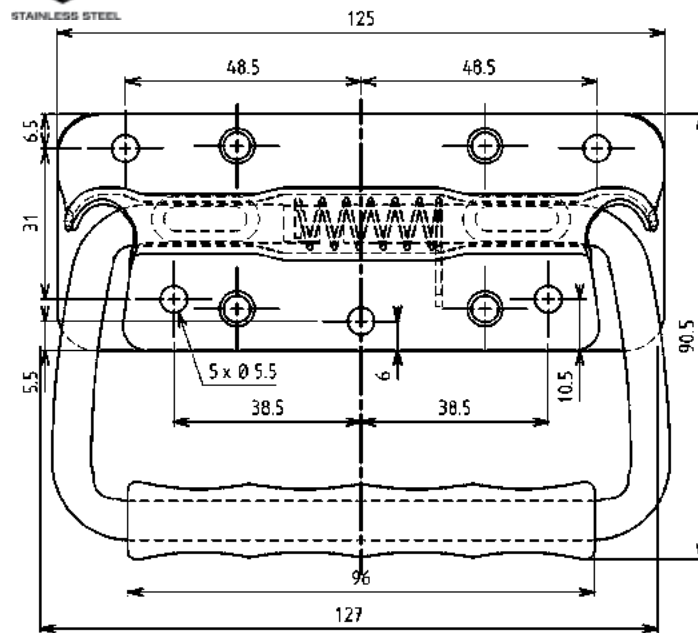
Chest handle

	without piano wire torsion spring
Raw steel with mounting holes	6040-U12-KA
Raw steel without mounting holes	6040-U12-01KA
Zinc plated steel DS plus Top Coat with mounting holes	6040-U12-JQ

Further parts see page
– Counter plate 6B-320



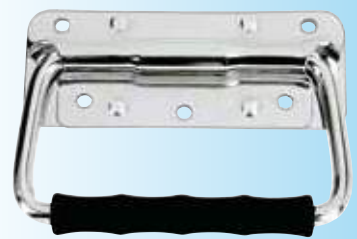
pictured with piano wire torsion spring and counter plate



Chest handle

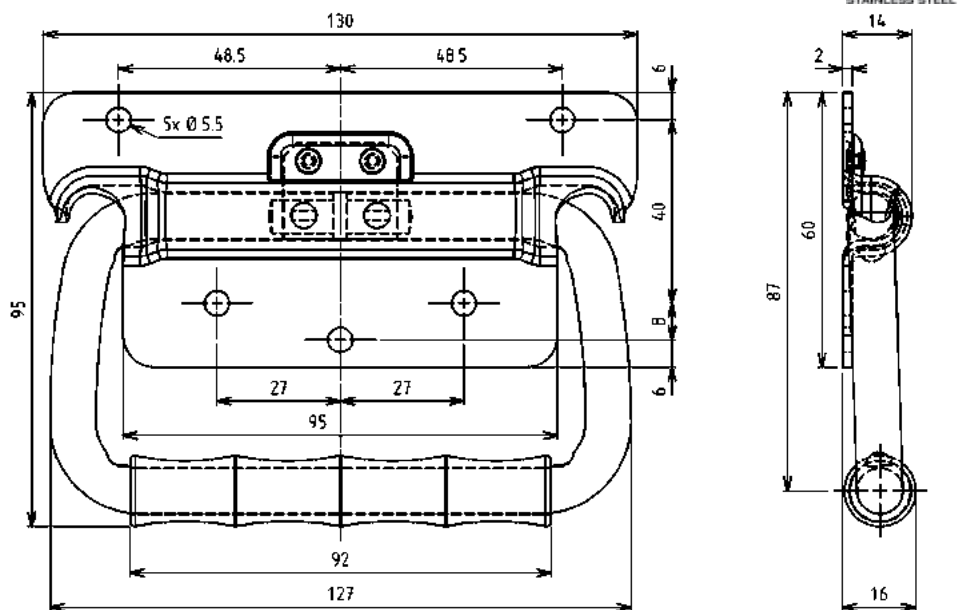
	without piano wire torsion spring and counter plate	with piano wire torsion spring
Zinc plated steel DS plus Top Coat with mounting holes	6040-U14-JQ	6040-U13-JQ
AISI 304 with mounting holes	6040-U14-PC	6040-U13-PC

Further parts see page
– Back plate 6B-320



Chest handles

PROGRAM 6040



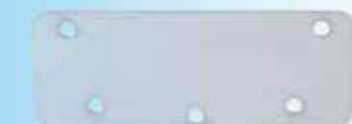
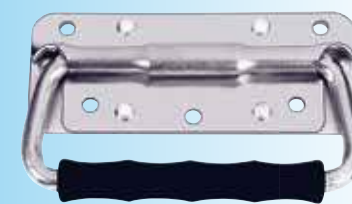
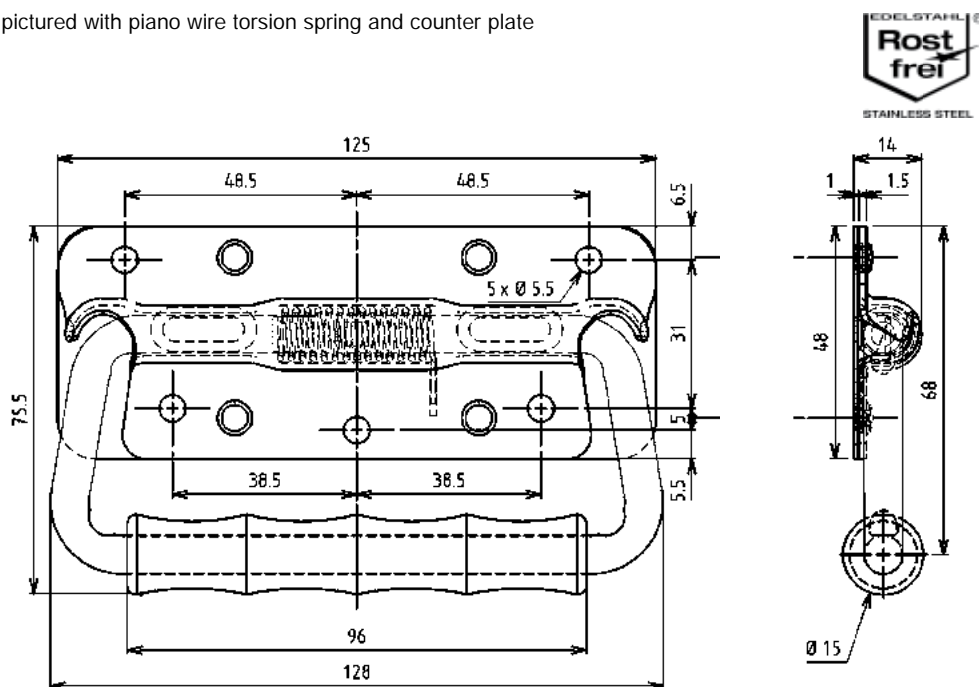
Chest handle

	without leaf spring	with leaf spring
Zinc plated steel DS plus Top Coat with mounting holes	6040-U24-JQ	6040-U23-JQ
AISI 304 with mounting holes	6040-U24-PC	6040-U23-PC

Further parts see page
– Counter plate

6B-320

pictured with piano wire torsion spring and counter plate



Chest handle

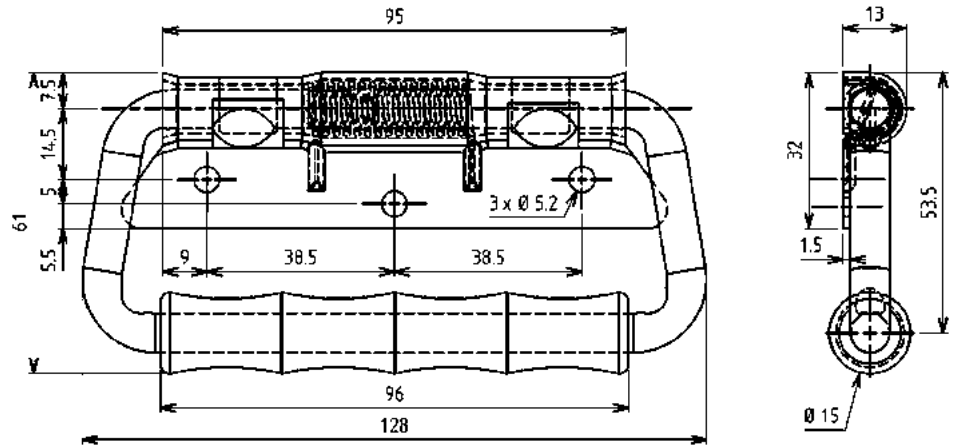
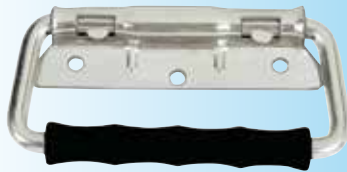
	without piano wire torsion spring and counter plate	with piano wire torsion spring
Zinc plated steel DS plus Top Coat with mounting holes	6040-U34-JQ	6040-U33-JQ
AISI 304 with mounting holes	6040-U34-PC	6040-U33-PC

Further parts see page
– Back plate

6B-320

Chest handles PROGRAM 6040

INOX
AISI
3..

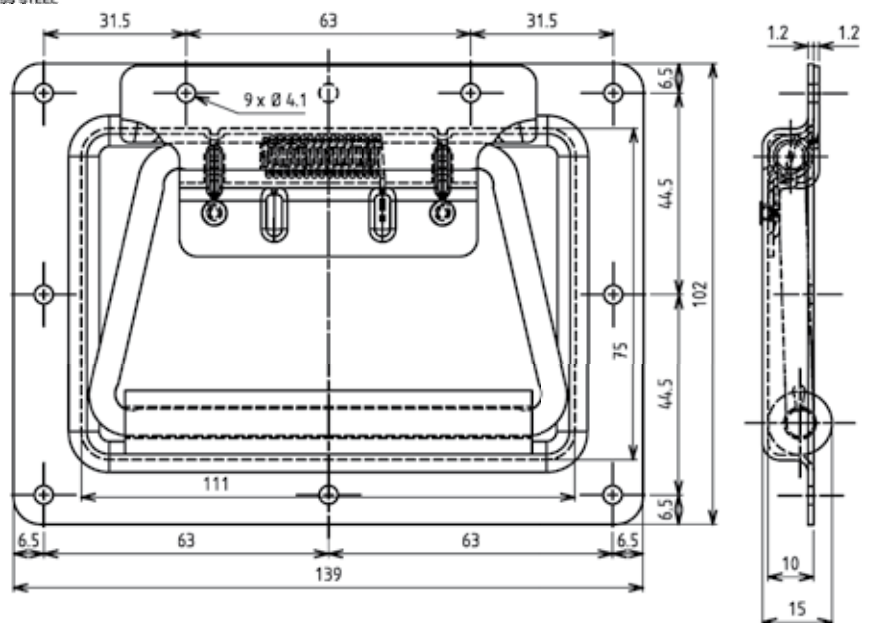


Chest handle

Further parts see page
– Back plate 6B-320

Zinc plated steel DS plus Top Coat
AISI 304 with mounting holes

with piano wire
torsion spring
6040-U35-JQ
6040-U35-PC



Recessed chest handle

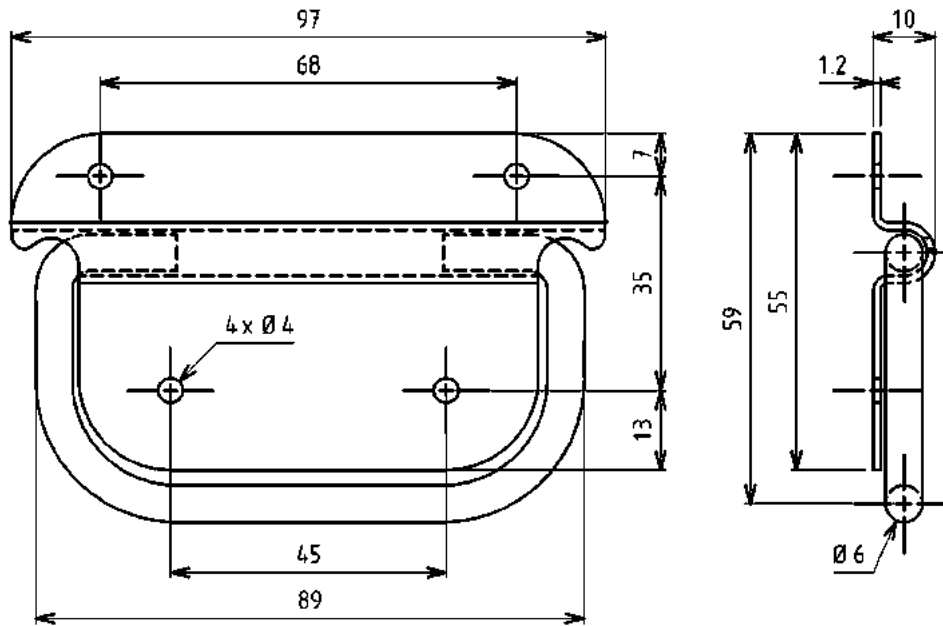
Zinc plated steel DS plus Top Coat with mounting holes
AISI 304 with mounting holes

with piano wire
torsion spring
6040-U41-JQ
6040-U41-PC

Chest handles

PROGRAM 6040

INOX
AISI
3..



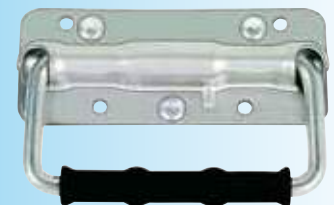
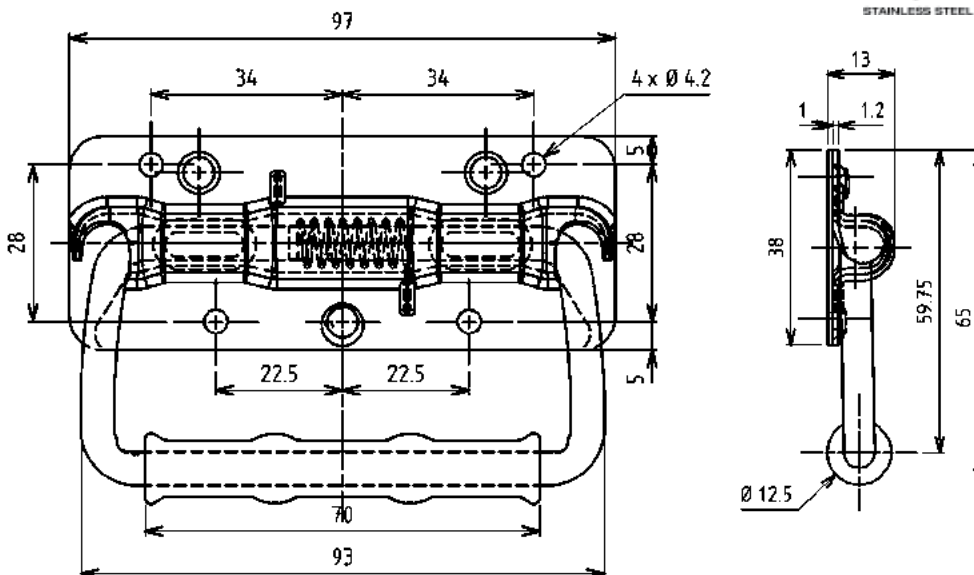
Chest handle

Zinc plated steel DS plus Top Coat with mounting holes

without piano wire torsion spring

6040-U46-JQ

pictured with piano wire torsion spring and counter plate



Chest handle

Zinc plated steel DS plus Top Coat with mounting holes

without piano wire torsion spring and counter plate

6040-U54-JQ

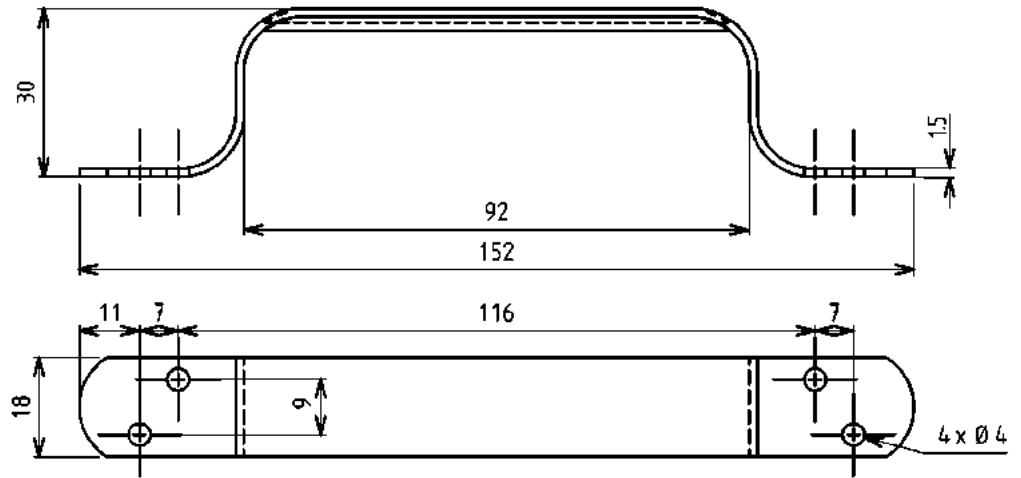
with piano wire torsion spring

6040-U53-JQ

AISI 304 with mounting holes

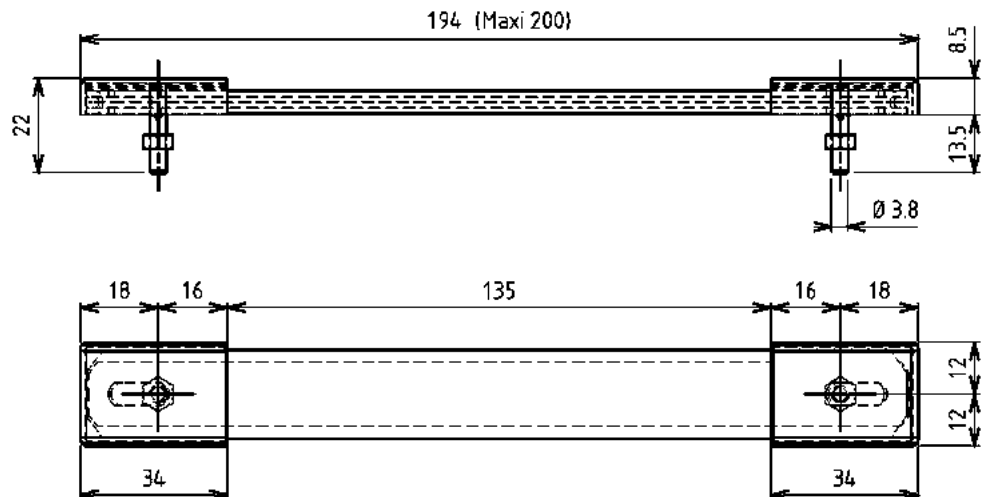
6040-U54-PC

6040-U53-PC



Bow-type handle

Raw steel with mounting holes	6040-15-KA
Raw steel without mounting holes	6040-15-01KA
Zinc plated steel DS plus Top Coat with mounting holes	6040-15-JQ
AISI 304 with mounting holes	6040-15-PC



Case-handle

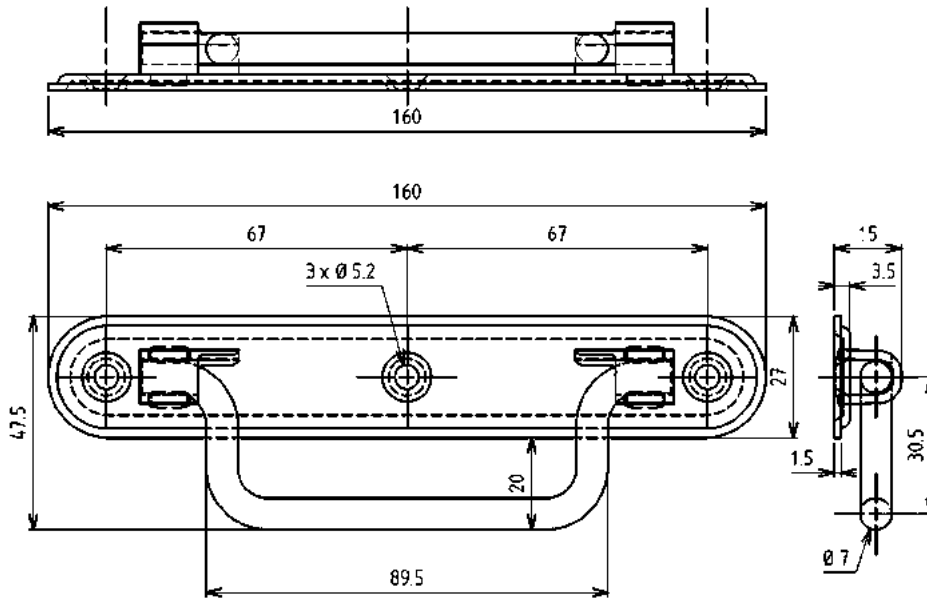
Nickel plated steel with mounting holes	6040-U19-LA
---	-------------

Handle, bail

PROGRAM 6040

Beschlagteile

INOX
AISI
3..



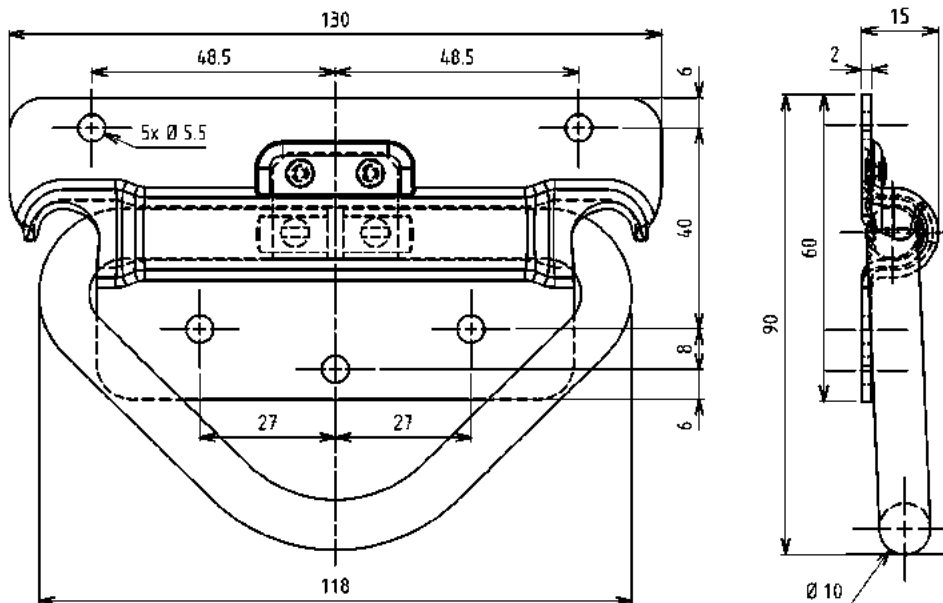
Chest handle

Zinc plated steel DS plus Top Coat with mounting holes

without piano wire
torsion spring
6040-U94-JQ

Further parts see page
– Back plate

6B-320



Slinging ring

Zinc plated steel DS plus Top Coat with mounting holes

AISI 304 with mounting holes

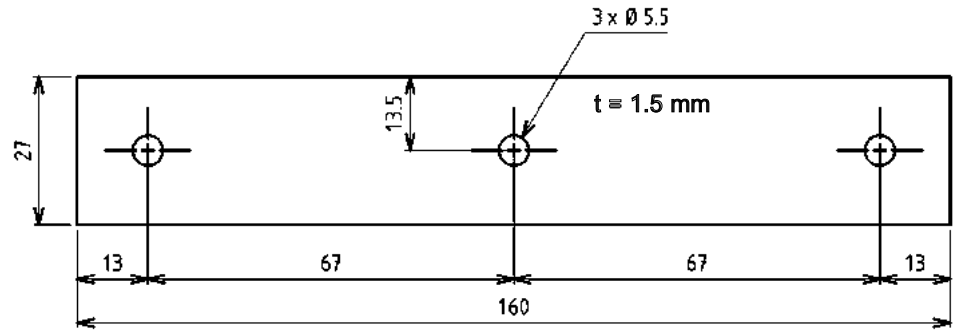
with leaf spring

6040-U80-JQ

6040-U80-PC

Further parts see page
– Back plate

6B-320

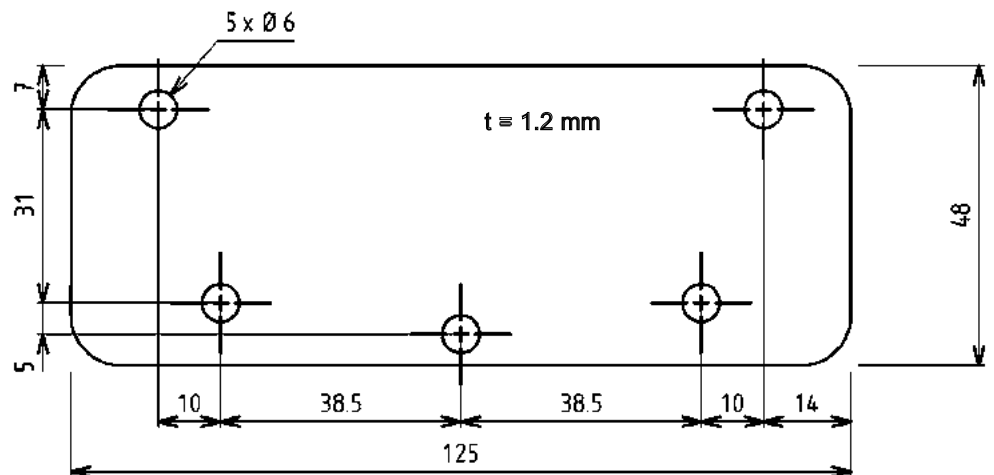


Further parts see page
– Chest handle 6B-240

Counter plate for handle

Zinc plated steel DS plus Top Coat

6042-278-JQ

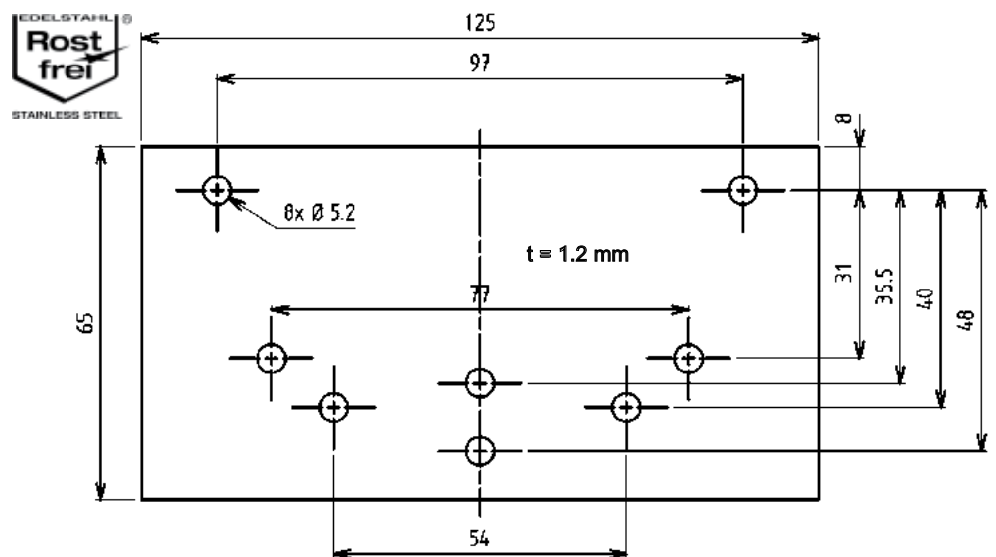


Further parts see page
– Chest handle 6B-120
up to 6B-160

Counter plate for chest handle

Zinc plated steel DS plus Top Coat

6042-63-JQ



Further parts see page
– Chest handle 6B-120
6B-140
6B-240

Counter plate for chest handle

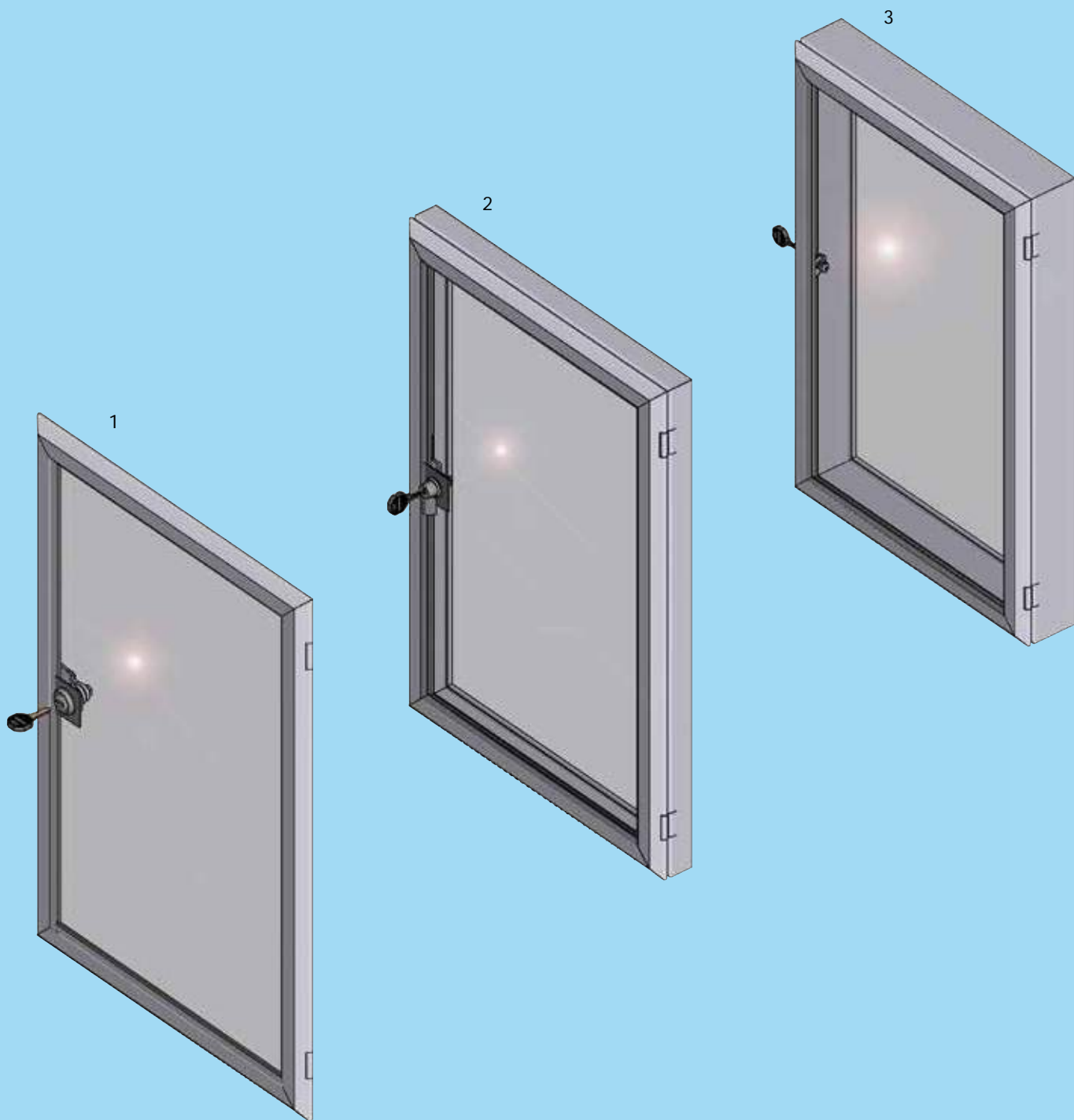
Zinc plated steel DS plus Top Coat

6042-69-JQ

AISI 304

6042-69-PC

Aluminium windows Program 1200



- | | | |
|---|------------------------------------|--------|
| 1 | Aluminium window without frame | 7A-120 |
| 2 | Aluminium window with 30 mm frame, | 7A-120 |
| 3 | Aluminium window with 61 mm frame, | 7A-120 |

Can be assembled with gas spring upon request.

7A-100

Info

1 Quarter turns

2 Rod controls

3 Locking systems

4 Hinges

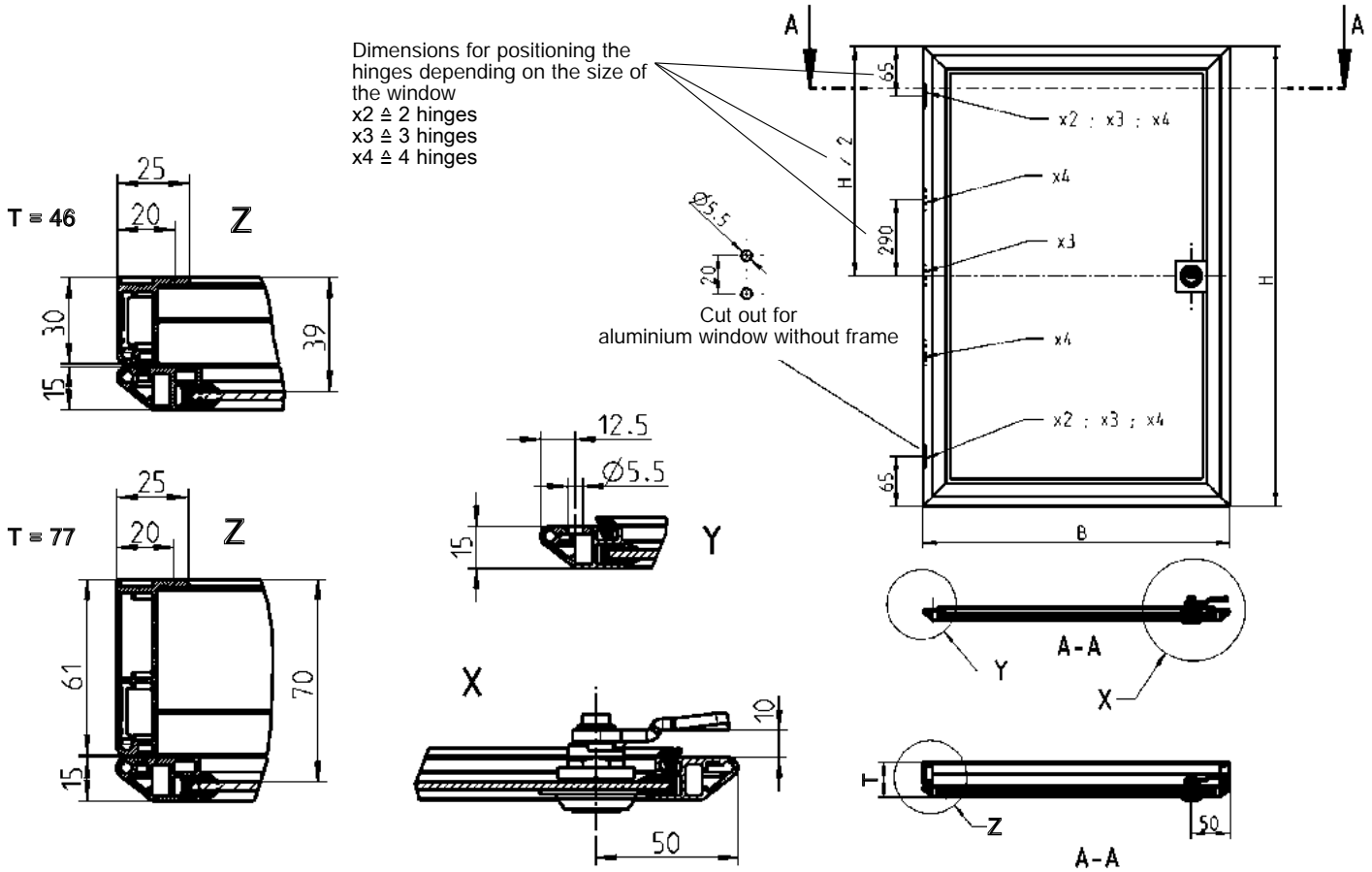
5 Gasketing

6 Handles

7 Aluminium windows

Aluminium windows

PROGRAM 1200



Aluminium window with 30 mm frame

Version 0

Aluminium window with wing knob quarter turn on the side

Acrylic 3 mm

T=46

Version 1

Aluminium window with wing knob quarter turn front

Polycarbonate 3 mm

T=46

Version 2

Aluminium window with cylinder quarter turn front

Polycarbonate 3 mm

T=46

Aluminium window with 61 mm frame

Version 3

Aluminium window with wing knob quarter turn on the side

Acrylic 3 mm

T=77

Version 4

Aluminium window with wing knob quarter turn front

Polycarbonate 3 mm

T=77

Version 5

Aluminium window with wing knob quarter turn front

Polycarbonate 3 mm

T=77

Aluminium window without frame



Aluminium window anodised; pane with gasketing

Lock of the types 0, 1, 3, 4, 6:

Wing knob quarter turn zinc-die black powder-coated; round cylinder with stainless steel cap; keyed 2233X; one key per round cylinder of nickel silver with handle piece PA black

Lock of the types 2, 5, 7:

Cylinder quarter turn zinc-die black powder-coated; round cylinder with stainless steel cap and dust slide; keyed EK333; one key per round cylinder of nickel silver with handle piece PA black

Part no.	Width in mm	Number of chosen type	B
	→700	→800	
H	→900	1200-U55-07 3/3	1200-U56-07 3/3
	→1000	1200-U55-08 3/3	1200-U56-08 3/3

Number of locks

Number of hinges

Opening angle:
without frame 140°
with frame 175°

Order example:
You need an aluminium window of the type 5 with the dimensions B = 620 mm, H = 840 mm.

Note:
The framed items are also available with safety glass or with aluminium composite panel.

Note:
In case of types 0, 1, 3, 4 and 6 in case of bigger aluminium windows with several locks only one lock can be locked

Note:
In case of types 2, 5 and 7 in case of bigger aluminium windows all locks can be locked

Keyed different on request.

In case of types 0, 1, 3, 4 and 5 mounting with gas spring is possible.

In case of types 0, 1, 3, 4 and 5 a frame with 114 mm is also available.

Height in mm	Width in mm	Substitute the "?" for the "number" of the type you wish							
		300←	→400	→500	→600	→700	→800	→900	→1000
300←		1200-U?1-01 1/2	1200-U?2-01 1/2	1200-U?3-01 1/2	1200-U?4-01 1/2	1200-U?5-01 1/2			
→400		1200-U?1-02 1/2	1200-U?2-02 1/2	1200-U?3-02 1/2	1200-U?4-02 1/2	1200-U?5-02 1/2			
→500		1200-U?1-03 1/2	1200-U?2-03 1/2	1200-U?3-03 1/2	1200-U?4-03 1/2	1200-U?5-03 1/2			
→600		1200-U?1-04 1/2	1200-U?2-04 1/2	1200-U?3-04 1/2	1200-U?4-04 1/2	1200-U?5-04 2/2			
→700		1200-U?1-05 1/2	1200-U?2-05 1/2	1200-U?3-05 2/2	1200-U?4-05 2/2	1200-U?5-05 2/2	1200-U?6-05 2/2		
→800		1200-U?1-06 1/2	1200-U?2-06 1/2	1200-U?3-06 2/2	1200-U?4-06 2/2	1200-U?5-06 2/2	1200-U?6-06 2/2		
→900		1200-U?1-07 2/3	1200-U?2-07 2/3	1200-U?3-07 2/3	1200-U?4-07 2/3	1200-U?5-07 3/3	1200-U?6-07 3/3	1200-U?7-07 3/3	
→1000		1200-U?1-08 2/3	1200-U?2-08 2/3	1200-U?3-08 2/3	1200-U?4-08 2/3	1200-U?5-08 3/3	1200-U?6-08 3/3	1200-U?7-08 3/3	1200-U?8-08 3/3
→1100			1200-U?2-09 2/3	1200-U?3-09 2/3	1200-U?4-09 2/3	1200-U?5-09 3/3	1200-U?6-09 3/3	1200-U?7-09 3/3	1200-U?8-09 3/3
→1200			1200-U?2-10 2/3	1200-U?3-10 2/3	1200-U?4-10 2/3	1200-U?5-10 3/3	1200-U?6-10 3/3	1200-U?7-10 3/3	1200-U?8-10 3/3
→1300				1200-U?3-11 3/3	1200-U?4-11 3/3	1200-U?5-11 3/3	1200-U?6-11 3/3	1200-U?7-11 3/3	1200-U?8-11 3/3
→1400				1200-U?3-12 3/3	1200-U?4-12 3/3	1200-U?5-12 3/3	1200-U?6-12 3/3	1200-U?7-12 3/3	1200-U?8-12 3/3
→1500				1200-U?3-13 3/3	1200-U?4-13 3/3	1200-U?5-13 3/3	1200-U?6-13 3/3	1200-U?7-13 3/3	1200-U?8-13 3/3
→1600				1200-U?3-14 3/3	1200-U?4-14 3/3	1200-U?5-14 3/3	1200-U?6-14 3/3	1200-U?7-14 3/3	1200-U?8-14 3/3
→1700					1200-U?4-15 3/4	1200-U?5-15 3/4	1200-U?6-15 3/4	1200-U?7-15 3/4	1200-U?8-15 3/4
→1800					1200-U?4-16 3/4	1200-U?5-16 3/4	1200-U?6-16 3/4	1200-U?7-16 3/4	1200-U?8-16 3/4
→1900						1200-U?5-17 3/4	1200-U?6-17 3/4	1200-U?7-17 3/4	1200-U?8-17 3/4
→2000						1200-U?5-18 3/4	1200-U?6-18 3/4	1200-U?7-18 3/4	1200-U?8-18 3/4

EMKA PROflex

Aluminium window - with or without a frame

Program 1210

Info

1 Quarter turns

2 Rod controls

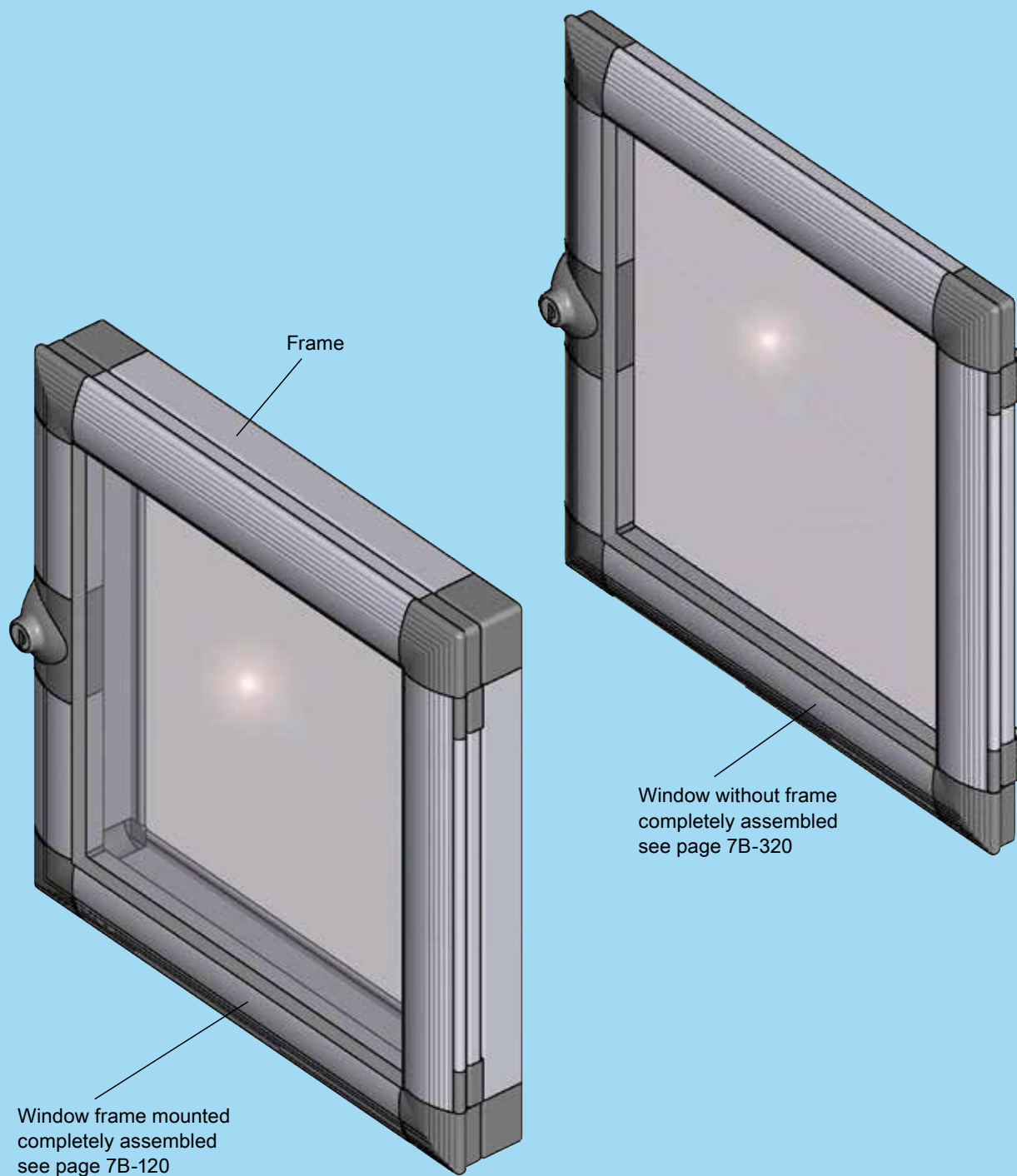
3 Locking systems

4 Hinges

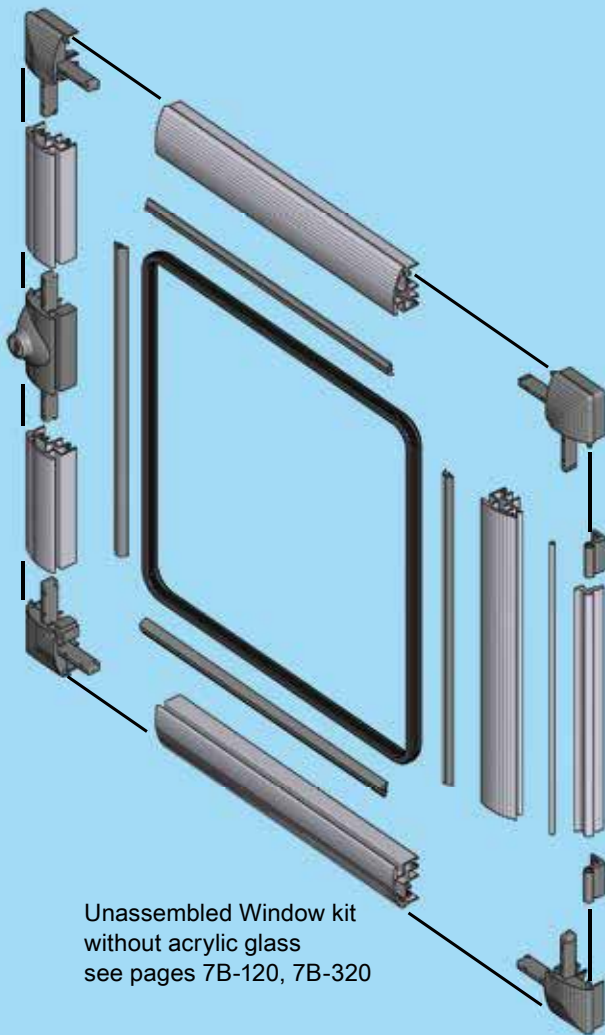
5 Gasketing

6 Handles

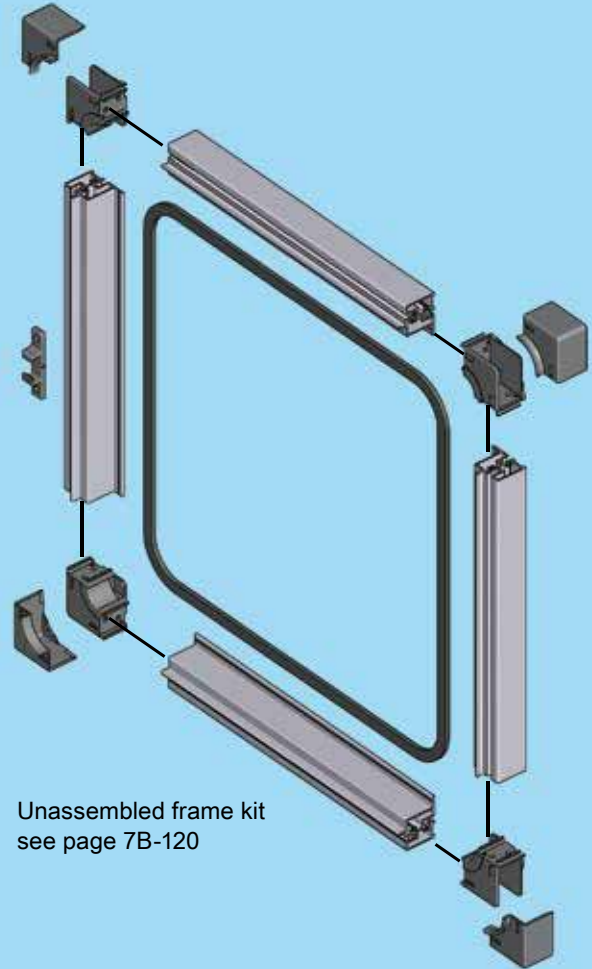
7 Aluminium windows



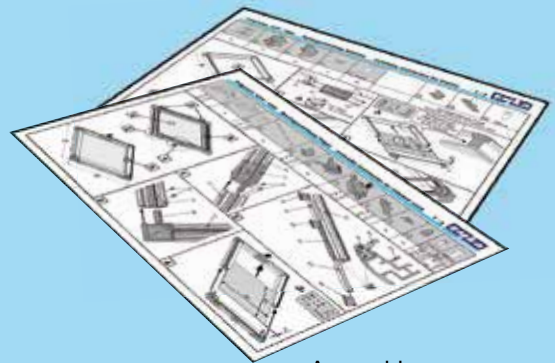
Aluminium window kit for self assembly



Unassembled Window kit
without acrylic glass
see pages 7B-120, 7B-320



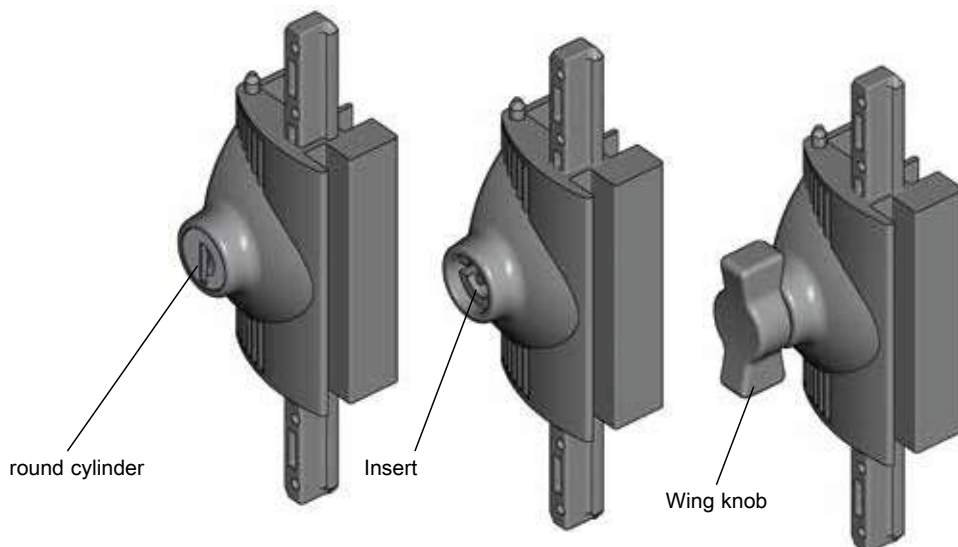
Unassembled frame kit
see page 7B-120



Assembly
instruction

Aluminium window: Lock 1215

PROGRAM 1210 EMKA PROflex



Conversion details

Right-hand to left-hand

1st step
Remove round cylinder (see pic.), rotate 180° and re-assemble.

2nd step
Fit complete lock into left-hand version.

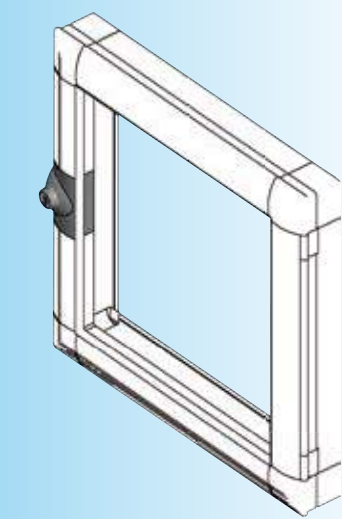
Right-hand version Left-hand version

Ordering instructions:

Please only order one kind of lock:
the number of locks (1-3) depends on the size of the window!

Lock for aluminium window zinc alloy black powder coated, round cylinder with stainless steel cap and dust cap or insert zinc alloy black powder coated, cam zinc alloy raw, catch zinc alloy black powder coated, screws m. s. zinc plated. Each cylinder has one silver steel key with polyamide GF grip black.

keyed EK 333	1215-U1
keyed different	1215-U1-V
Inserts	
Square 6	1215-U2-U322
Square 7	1215-U2-U323
Square 8	1215-U2-U324
Triangular 7	1215-U2-U325
Triangular 8	1215-U2-U326
Double bit 3	1215-U2-U327
Double bit 5	1215-U2-U328
Slot 2 x 4	1215-U2-U329
Slot 2 x 4 coinproof	1215-U2-U739
Wing knob	1215-U2-U78



Standard assembly of locks is for right-hand aluminium windows.

See conversion detail to change to left-hand version with round cylinder!

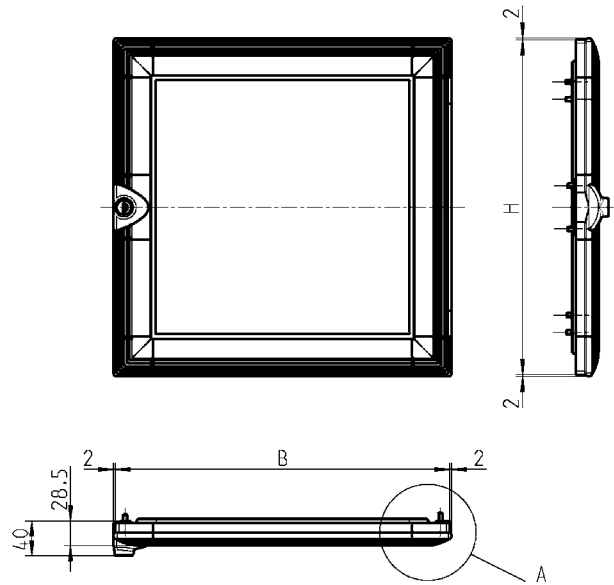
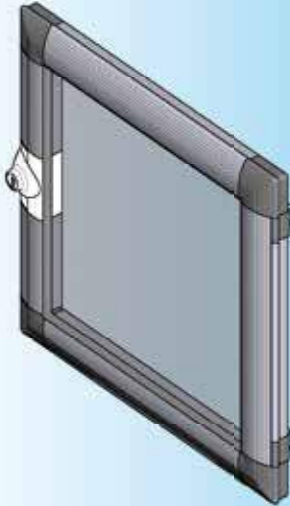
Note:
Please order aluminium window separately!

Further parts see page
– Aluminium windows 7B-120
– Aluminium window without frame 7B-320

Further ordering details
see page 7B-520

RL

Available fully assembled or as a kit



Opening angle 180°

Attention:
Please specify locking option separately!
(see page 7B-220)

Information:

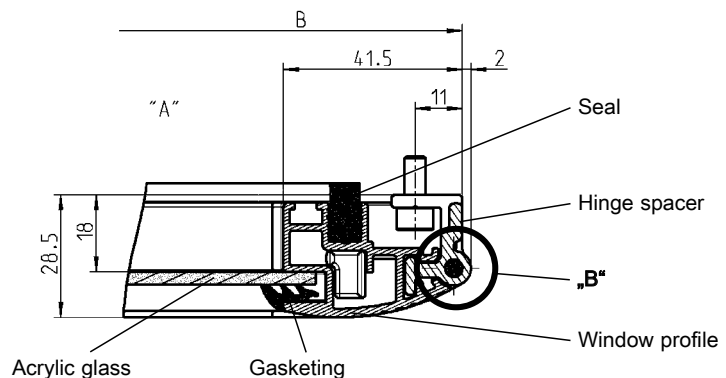
Mounting alternatives see page 7B-420

Polycarbonate glass or safety glass on request.

Window sizes for applications with safety glass please see table on page 7B-520.

Window outer dimensions
Height from 320 to 2000 mm
Width from 300 to 1000 mm
Height - Side with hinge respectively lock.

A frame as shown on page 7B-120 can be retrofitted any time!



Order example:

The request is for a window without frame with dimensions H = 750 mm and W = 520 mm.
Attention: Please note 2 mm projection of window on all sides (see detail "B")!

Please order:

Version 1: Aluminium window assembled
1220-U (Height) - (Weidth) = 1220-U 750-520

Version 2: Aluminium window kit for self assembly
1220-X (Height) - (Weidth) = 1220-X 750-520

Further parts see page
– Latch 7B-220

Mounting dimensions
see page 7B-420

Further ordering details
see page 7B-520

Anodized aluminium window, corners and hinges zinc alloy black powder coated, hinge pin stainless steel, screws m. s. zinc plated, acrylic glass 3 mm, incl. gasketing and lock (please specify lock separately)

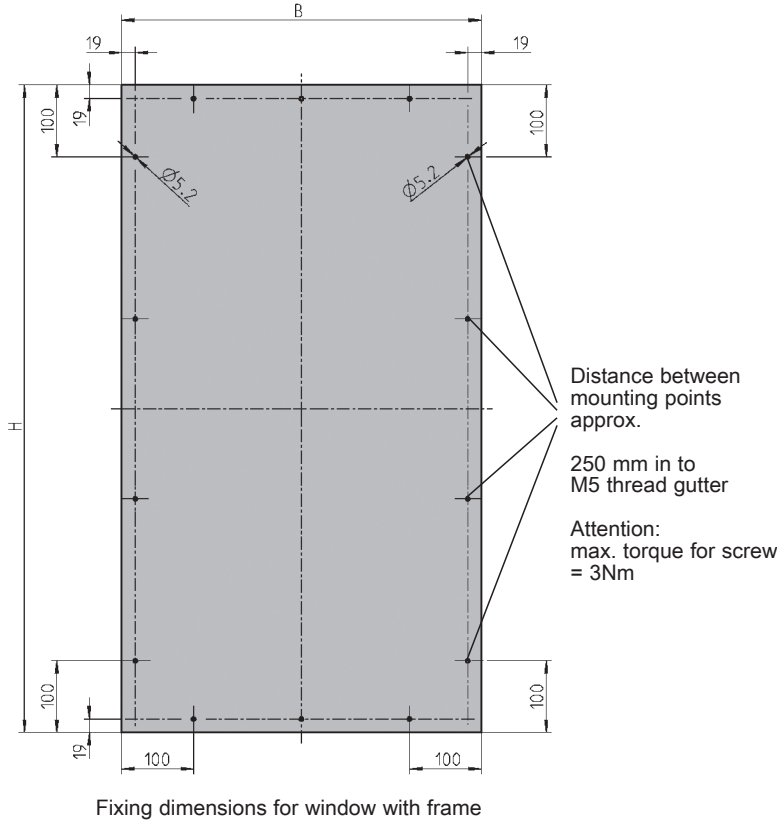
Aluminium window assembled, incl. acrylic glass	1220-U - (see order example)
Aluminium window kit for self assembly without acrylic glass including assembly instructions (see order example) (Size calculation for 3 mm acrylic glass: H minus 65 mm and W minus 65 mm)	1220-X - (see order example)

Mounting specification for 1210 and 1220

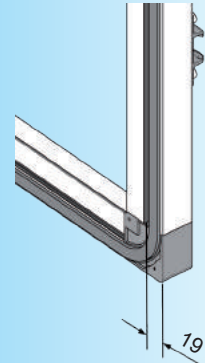
PROGRAM 1210 EMKA PROflex

Mounting specification for aluminium window with frame 1210:
Rear mounting.

More mounting points depending on size
of window and according to client requests.

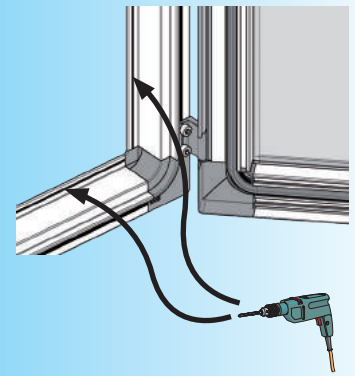


Rear mounting.



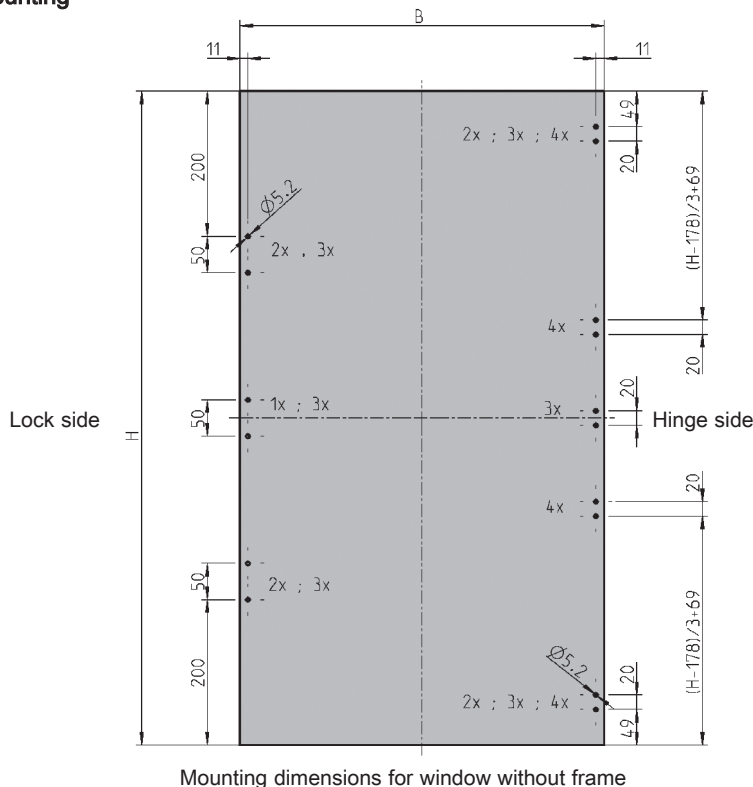
see mounting specification

Front mounting



Mounting according to customer requests.

Mounting specification for aluminium window without frame 1210:
Front mounting

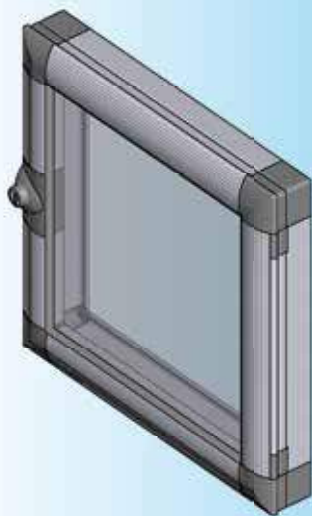


Note:

Mounting point references
2x, 3x, 4x relate to the
number of hinges and locks.

Further parts see page

- Aluminium window 7B-120
- Aluminium window without frame 7B-320



Order example:

The request is for an aluminium window, frame mounted and assembles with the dimensions H = 750 mm and W = 520 mm with lock "3mm double-bit insert".

Please order:

One aluminium window 1210-U(height) - (width) = 1210-U 750-520 + 1215-U2-U327

Number of locks and hinges:

The number of locks and hinges depends on the window dimensions. To find the exact number please round the dimensions up to the next hundred mm section. Necessary quantity see table below.

Use the same principle with the price list.

Explanation for locks and hinges specification:

Aluminium window frame mounted example:

Part number 1210-U 750-520 => 800-600 => 1 lock and 2 hinges

Aluminium window without frame example:

Part number 1220-U 750-520 => 800-600 => 1 lock and 2 hinges

Information:

Window with frame 1210

Can be assembled with gas springs on request.

The framed articles are available with safety glass.

Width in mm \ Height in mm	300 →400	→500	→600	→700
320 →400	1/2	1/2	1/2	1/2
→500	1/2	1/2	1/2	1/2
→600	1/2	1/2	1/2	1/2
→700	1/2	1/2	1/2	1/2
→800	1/2	1/2	1/2	1/2
....

Number of locks

Number of hinges

Width in mm \ Height in mm	300 →400	→500	→600	→700	→800	→900	→1000
320 →400	1/2	1/2	1/2	1/2	req.	req.	req.
→500	1/2	1/2	1/2	1/2	req.	req.	req.
→600	1/2	1/2	1/2	1/2	req.	req.	req.
→700	1/2	1/2	1/2	1/2	1/2	req.	req.
→800	1/2	1/2	1/2	1/2	1/2	req.	req.
→900	2/3	2/3	2/3	2/3	2/3	2/3	req.
→1000	2/3	2/3	2/3	2/3	2/3	2/3	2/3
→1100	2/3	2/3	2/3	2/3	2/3	2/3	2/3
→1200	2/3	2/3	2/3	2/3	2/3	2/3	2/3
→1300	2/3	2/3	2/3	2/3	2/3	2/3	2/3
→1400	2/3	2/3	2/3	2/3	2/3	2/3	2/3
→1500	3/4	3/4	3/4	3/4	3/4	3/4	3/4
→1600	3/4	3/4	3/4	3/4	3/4	3/4	3/4
→1700	3/4	3/4	3/4	3/4	3/4	3/4	3/4
→1800	3/4	3/4	3/4	3/4	3/4	3/4	3/4
→1900	3/4	3/4	3/4	3/4	3/4	3/4	3/4
→2000	3/4	3/4	3/4	3/4	3/4	3/4	3/4

Further parts see page

- Aluminium window 7B-120
- Latches 7B-220
- Aluminium window 7B-320

req. = on request

Aluminium doors Program 1300



Info

1 Quarter turns

2 Rod controls

3 Locking systems

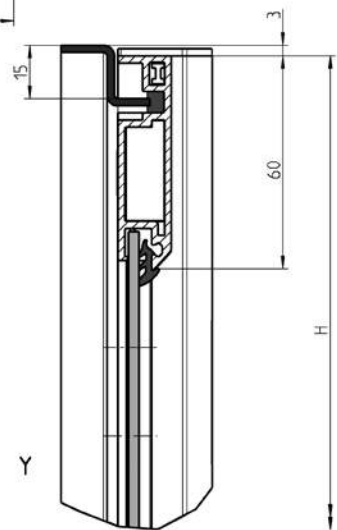
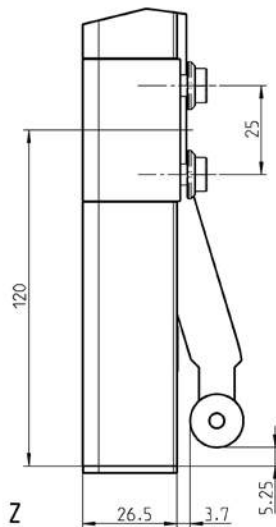
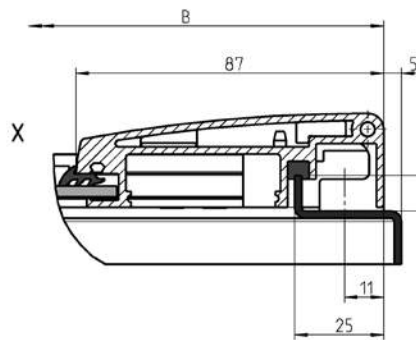
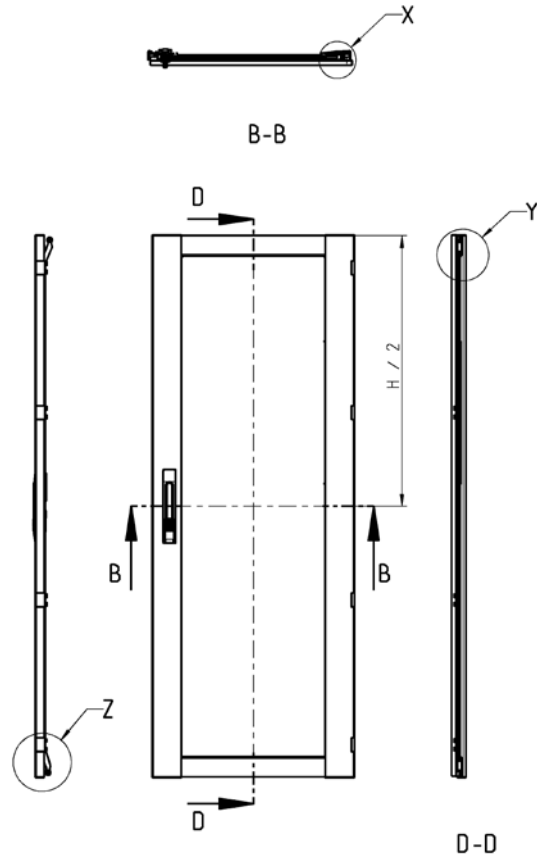
4 Hinges

5 Gasketing

6 Handles

7 Aluminium windows

- Info
- 1 Quarter turns
- 2 Rod controls
- 3 Locking systems
- 4 Hinges
- 5 Gasketing
- 6 Handles
- 7 Aluminium windows



Manufacturing sizes (H x W):
Height from 400 to 2000
Width from 400 to 1000

Opening angle 180°
for single cabinets.

Opening angle < 120°
for in-line cabinets.

Further parts see page
– Locking set

3XA-120
3XA-240

Complete door anodized aluminium, acrylic glass, swinghandle 1180 polyamide black, hinges and edge connectors zinc alloy black p.c., cam (three-point-latch) and rod locking m.s. zinc plated, with seal.

1300-U1-BxH

7C-120

(7B-120)

Stainless steel locks



Info

1 Quarter turns

2 Rod controls

3 Locking systems

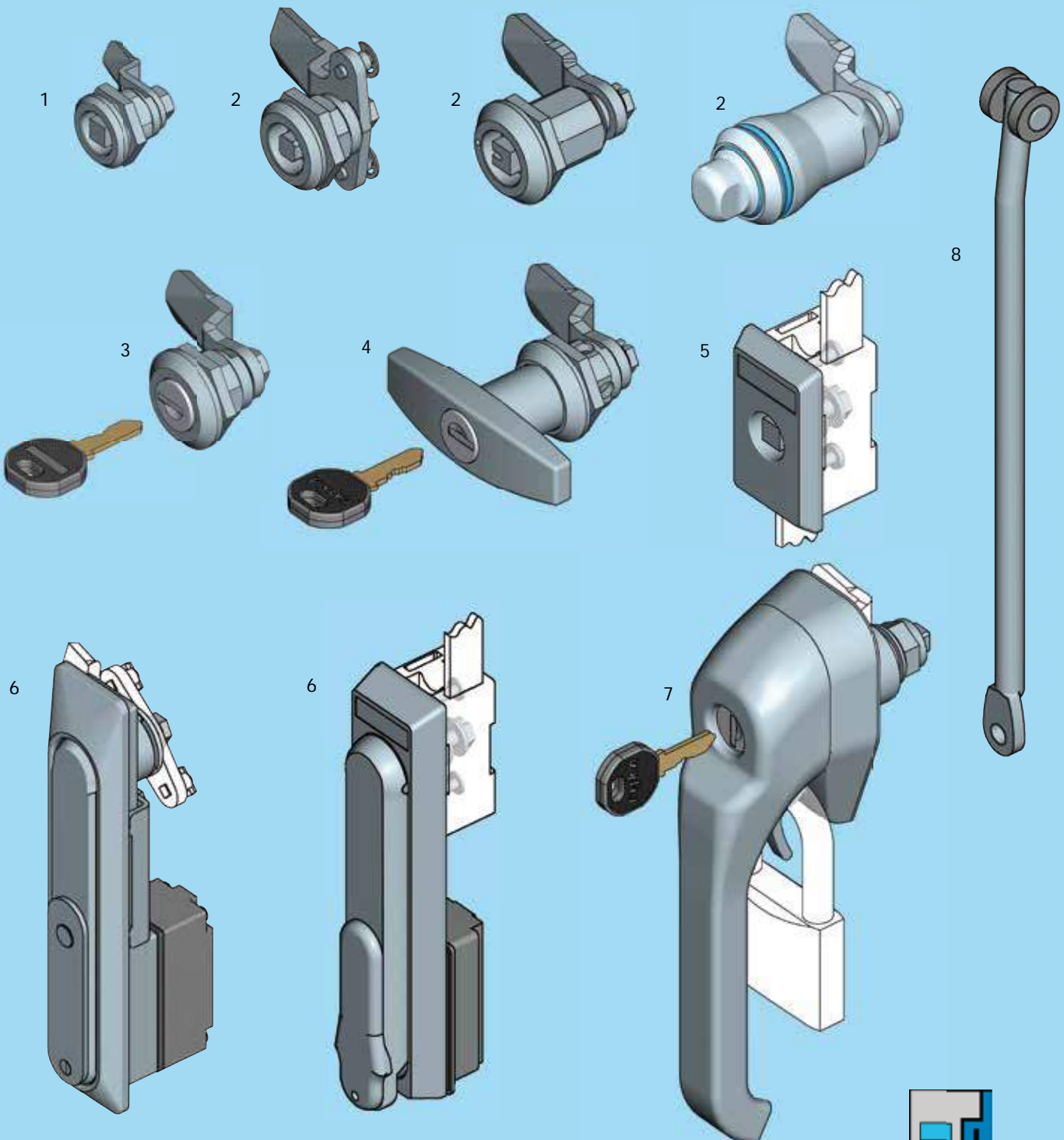
4 Hinges

5 Gasketing

6 Handles

7 Aluminium windows

8 Stainless steel



- 1 Quarter turn small
- 2 Quarter turns
- 3 Quarter turn with cylinder
- 4 Handle
- 5 Escutcheon
- 6 Swinghandle
- 7 Heavy duty latch
- 8 Rod

- Program 1022
- Program 1000
- Program 1000
- Program 1000
- Program 1000
- Program 1125, 1150
- Program 1091
- Program 1000

- 8A-120
- 8A-220 to 8A-244, 8A-285, 8A-290
- 8A-250
- 8A-260 to 8A-276
- 8A-510, 8A-520
- 8A-620 to 8A-680
- 8A-840
- 8A-360

further articles such as cam, bearing bush, rod control, rod guide



8A-100



Info

1 Quarter turns

2 Rod controls

3 Locking systems

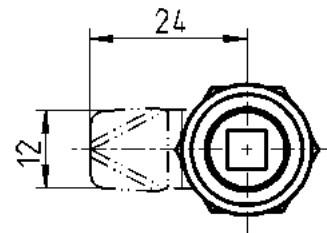
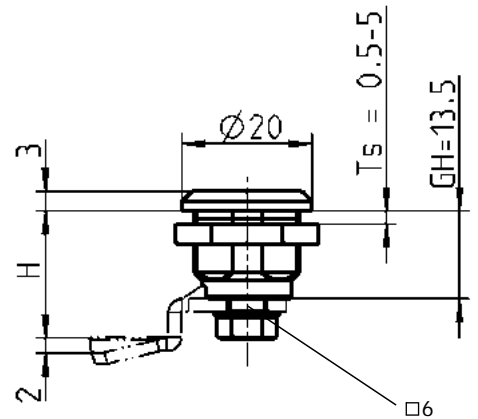
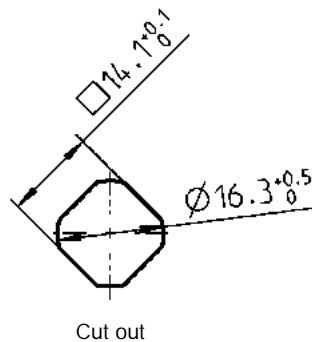
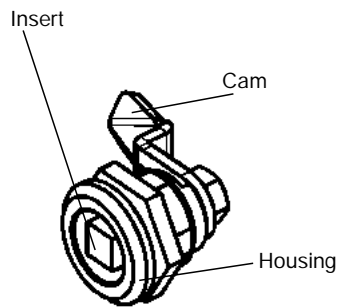
4 Hinges

5 Gasketing

6 Handles

7 Aluminium windows

8 Stainless steel



Application:
Small doors and covers

Further parts see page
– Key 12B-120
– Dust cap 1A-120

Housing with nut AISI 303; with seal

1022-U60

Insert with screw and wave washer AISI 316; with O-Ring

Square 6

1022-U61

Triangular 6,5

1022-U62

Slot 1,5

1022-U63

Blank

1022-U64

Cam AISI 304, t = 2

H = 7,5

1022-20-PC

13,5

1022-07-PC

19,5

1022-08-PC

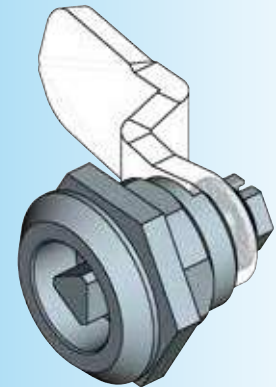
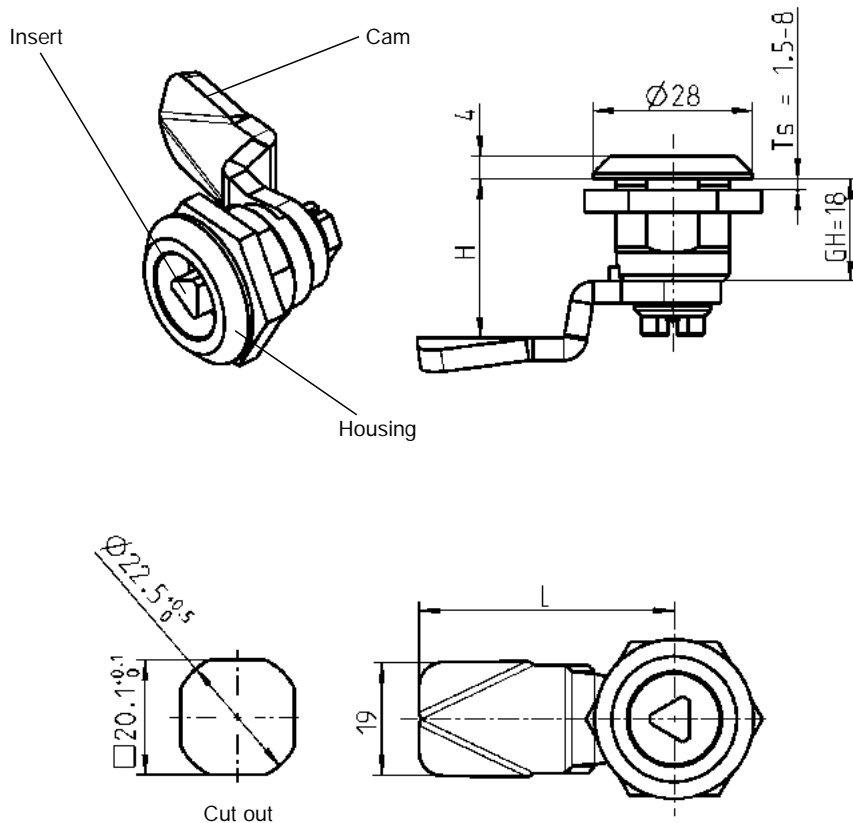
Assembly on request

with O-ring

1022-991

Quarter turn stainless steel PROGRAM 1000

Beschlagteile



Housing material on choice: stainless steel with foamed seal or polyamide with O-ring, stainless steel nut

AISI 303	AISI 316	polyamide black
1000-U134	1000-U530	1000-U156

Insert material on choice; screw and wave washer stainless steel, with O-Ring

	AISI 303	AISI 316		AISI 303	AISI 316
Square 6	1000-U351	-	Double bit 5	1000-U137	1000-U534
Square 7	1000-U135	1000-U531	Slot 2 x 4	1000-U630	1000-U631
Square 8	1000-U136	1000-U532	Eastern Europe Ø 13	1000-U729	-
Square 8 slotted	1000-U352	-			
Triangular 7	1000-U334	1000-U536	Star handle	1000-U138	-
Triangular 8	1000-U335	1000-U537	Wing knob	1000-U510	-
Double bit 3	1000-U183	1000-U533			

IP 66 achieved with:

Seal set	1000-U769
----------	-----------

Assembly on request:

with O-ring	1000-991
-------------	----------

Note:
Quarter turn assembly 1B-105

Further parts see page

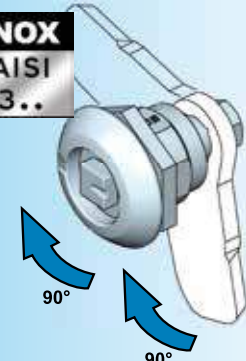
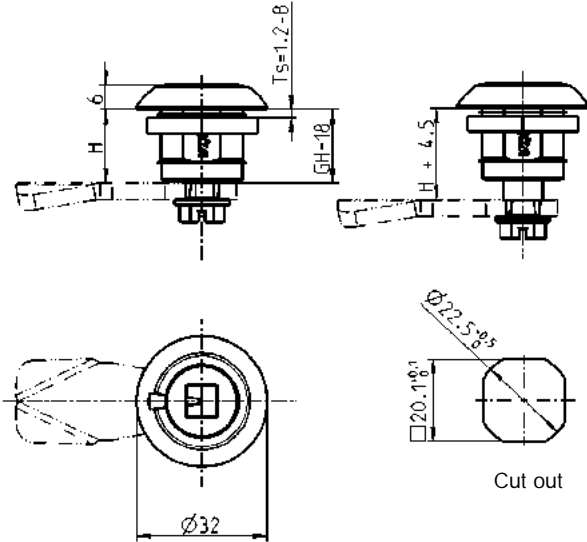
- Cam with pip 8A-320
8A-340
- Key 12B-120
- Dust cap 1C-320

Stainless steel compression latch

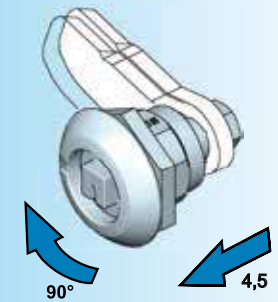
PROGRAM 1000

Tamper and vibration proof

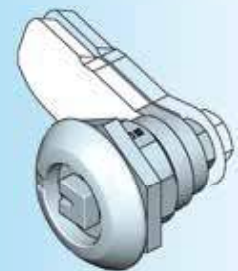
The compression latch is tamper proof as such. Depending on the installation location and the application conditions specific checks and / or supplementary measures for fixing are required.



Open condition
By turning the insert by 90°, the cam is also turned.



Closed condition
By turning the insert by another 90°, the cam moves 6 mm in an axial direction.



Compressed latch

Open:
Reversed movement

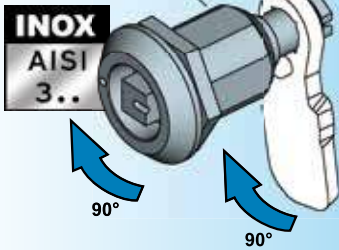
Further articles see page

- Cam without catch 8A-320 (not for cam with rod control)
- Accessories from 1C-320
- Key 12B-120

Housing and insert AISI 316, nut and screw stainless steel, with spring and seal;

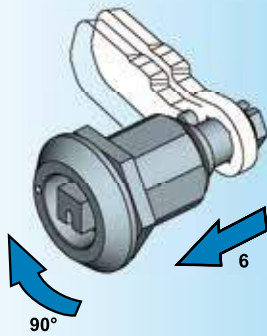
Square 6	on request
Square 7	1000-U859-PH
Square 8	1000-U852-PH
Triangular 6.5 CNOMO	on request
Triangular 7	1000-U864-PH
Triangular 8	1000-U853-PH
Triangular 9	on request
Triangular 10	on request
Double bit 3	1000-U854-PH
Double bit 5	1000-U855-PH
Hexagon male SW 11.1 with marking	on request
Hexagon female SW 8	on request
Hexagon female SW 8 with pin	on request
Hexagon female SW 10	on request
Square female 6	on request
Square female 7	on request
Square female 8	on request
Daimler Benz	on request
Slot 1.2 x 3	on request
Slot 2 x 4	on request
Slot 2 x 4 coinproof	on request
Crown type	on request
National railway	1000-U856-PH
Tube with marking	on request

Info
1 Quarter turns
2 Rod controls
3 Locking systems
4 Hinges
5 Gasketing
6 Handles
7 Aluminium windows
8 Stainless steel



Open condition

The first 90° of rotation of the insert also turns the cam 90°.



Closed position

The second 90° of rotation of the insert draws the cam toward the door 6 mm axially.



Compressed condition

Unlock:
Reversed movement

Note:
Further inserts on request

Further parts see page

- Cam with or without catch 8A-320
- Accessories 1C-320
- Escutcheon 3B-140
- Key 12B-120



Vibration proof

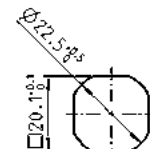
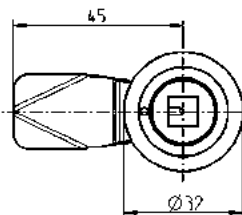
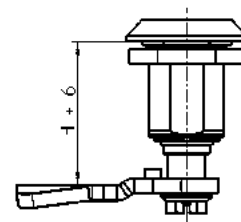
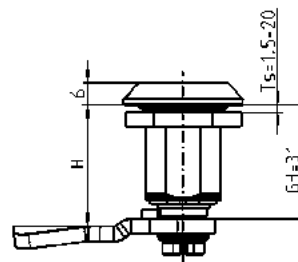
The compression latch is of a vibration-proof design. Depending on the installation location and operational conditions specific checks are necessary and/or supplementary measures of fastening required.



with mark

Note:

The H-dimension will be reduced by 2 mm when used with finger pull (see page 1C-320)



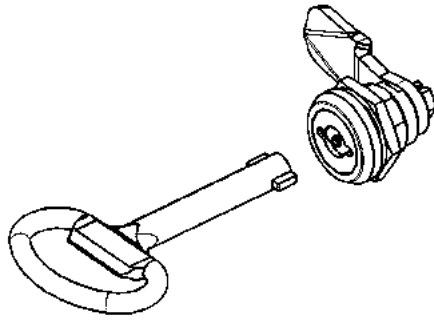
Cut out

Compression latch AISI 316, with spring and gasket

Square 8 with mark	1000-U755-01
Double bit 3	1000-U749-01
Double bit 5	1000-U748-01
Slot 2 x 4	1000-U777-01
Railway	1000-U831-01

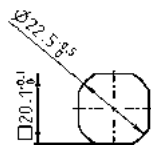
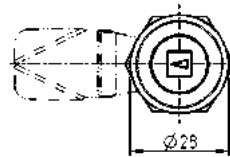
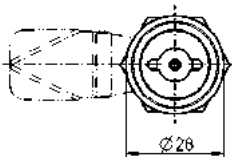
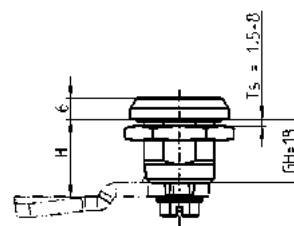
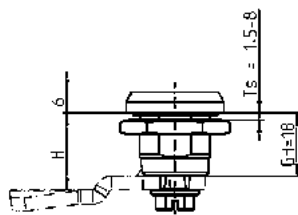
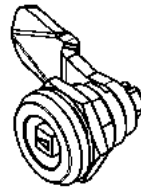
Stainless steel safety quarter turn

PROGRAM 1000

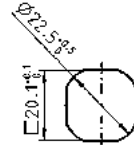


By pressing down the insert, the cam can be turned

Cam clicks into place



Cut out



Cut out

Housing with insert, screw and nut AISI 303, with seal

	without	with
	Dust cap	
Double bit 3 mm RH version	1000-U714-01	1000-U725
Double bit 3 mm LH version	1000-U715-01	1000-U726
Double bit 5 mm RH version	1000-U716-01	1000-U727
Double bit 5 mm LH version	1000-U717-01	1000-U728
Square 6 mm RH/LH version	1000-U718-01	-
Square 7 mm RH/LH version	1000-U719-01	-
Square 8 mm RH/LH version	1000-U720-01	-
Triangular 7 mm RH/LH version	1000-U721-01	-
Triangular 8 mm RH/LH version	1000-U722-01	-
Slot 2x4 mm RH/LH version	1000-U723-01	-
Eastern Europe Ø half round 90° and 180° RH/LH	1000-U724-01	-
Railroad RH/LH	1000-U710-01	-
Ø 8,6 with slot RH/LH	1000-U712-01	-



Safety quarter turn

This is of a vibration proof design. Depending on the installation location and operational conditions, specific checks are necessary and/or supplementary measures of fastening required.

With the double bit version the key is captive in the unlocked position.

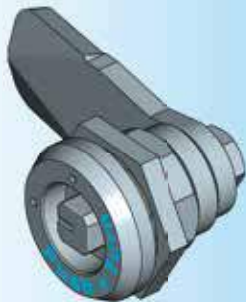
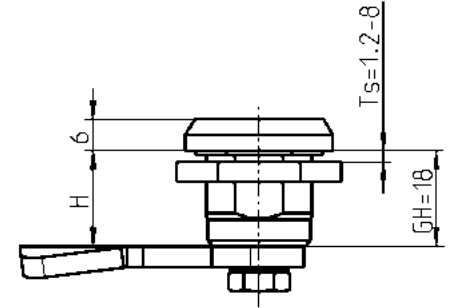
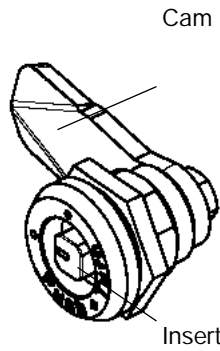
Hole for double bit acc. to DIN 43668.

The whole range is IP 65 (DIN 40050).

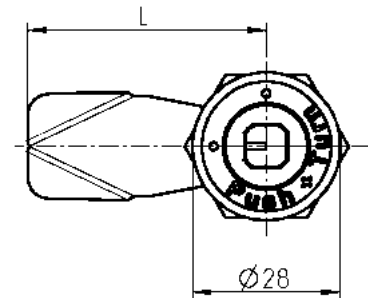
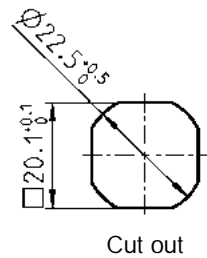
Only available with pre-assembled cam.

Further parts see page

- cam with catch 8A-320
- 8A-340
- (not suitable for stainless steel slam cam)
- Key 12B-120
- Dust cap 1C-320
- Escutcheon polyamide (1072-U15) 12D-120



Push and turn insert



Safety quarter turn:
This lock is of vibration proof design. Depending on the installation location and operational conditions, specific checks are necessary and/or supplementary measures of fastening required.

The H-dimension will be reduced by 2 mm when with finger pull installed (see catalogue page 1C-320).

Further parts see page

- Cam without catch 8A-320
- 8A-340
- (not suitable for stainless steel slam cam)
- Accessories 1C-320
- up to 1C-380
- Key 12B-120

Housing and insert AISI 316, nut and screw stainless steel, with spring and seal

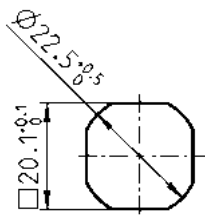
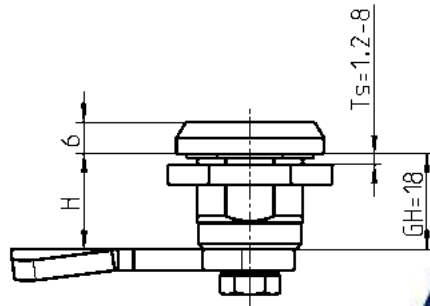
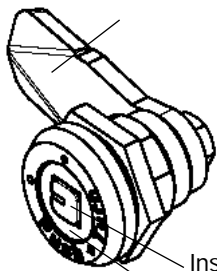
Square 6	1000-U817-01PH
Square 7	on request
Square 8	1000-U817-03PH
Square 8 slotted	on request
Triangular 6,5 CNOMO	on request
Triangular 7	on request
Triangular 8	1000-U817-05PH
Triangular 9	on request
Triangular 10	1000-U817-07PH
Double bit 3	on request
Double bit 5	on request
Hexagon female 8mm	1000-U817-24PH
Hexagon female 10mm	on request
Square female 6mm	on request
Square female 7	on request
Square female 8	on request
Daimler Benz	on request
Slot 1,2 x 3	on request
Slot 2 x 4	on request
Slot 2 x 4 coinproof	on request
Crown type	on request
Eastern Europe Ø 13	on request
Hexagon female 8mm with pin	on request
Railway version	on request

Stainless steel safety quarter turn with mask

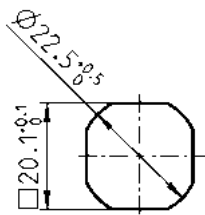
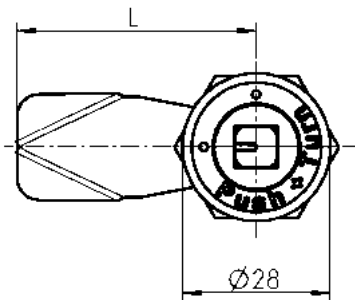
PROGRAM 1000

Beschlagteile

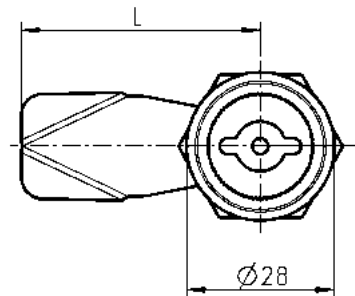
Cam



Cut out



Cut out



Insert square or triangular



Insert double bit

Push and turn insert

Safety quarter turn:
This lock is of vibration proof design. Depending on the installation location and operational conditions, specific checks are necessary and/ or supplementary measures of fastening required.

Version double bit: Key only removable in locked position.

Keyhole for double bit according to DIN 43668.

The H-dimension will be reduced by 2 mm when a finger pull is installed (see catalogue page 1C-320).

Further parts see page

- Cam without catch 8A-320
8A-340
- (not suitable for stainless steel slam cam)
- Accessories 1C-320
up to 1C-380
- Key 12B-120

Housing and insert AISI 316, nut and screw stainless steel, with spring and seal

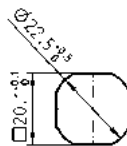
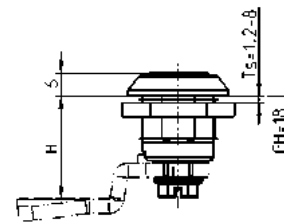
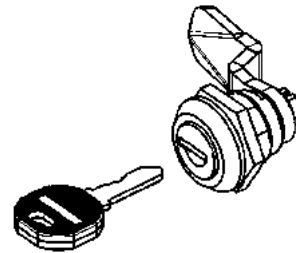
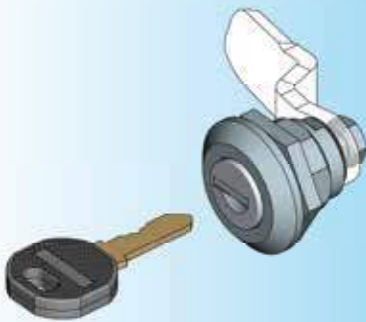
Square 6	on request
Square 7	on request
Square 8	on request
Square 8 slotted	on request
Triangular 6,5 CNOMO	on request
Triangular 7	on request
Triangular 8	on request
Triangular 9	on request
Triangular 10	on request

Housing and insert AISI 316, mask stainless steel, nut and screw stainless steel, with spring and seal

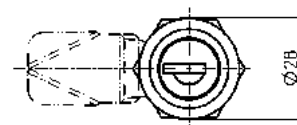
Double bit 3 mm RH version	on request
Double bit 3 mm LH version	on request
Double bit 5 mm RH version	on request
Double bit 5 mm LH version	on request



- Info
- 1 Quarter turns
- 2 Rod controls
- 3 Locking systems
- 4 Hinges
- 5 Gasketing
- 6 Handles
- 7 Aluminium windows
- 8 Stainless steel



Cut out



Key removable in both positions.

Further parts see page
 – Cam with catch 8A-320
 (not for cam with rod control)
 – Key 12B-140

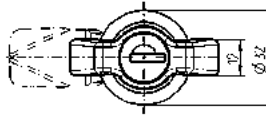
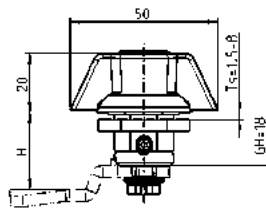
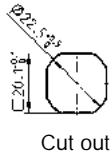
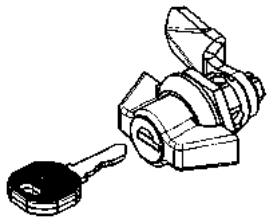
Quarter turn with cylinder AISI 316, round cylinder, screw and washer stainless steel.
 Each cylinder has one silver steel key with polyamide GF grip black.

keyed EK 333	1048-U6-PH
keyed different	1048-U7-PH

Handle stainless steel

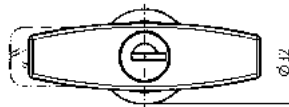
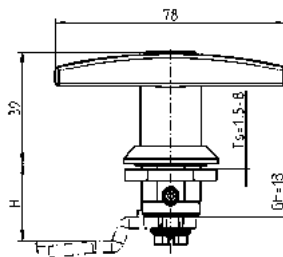
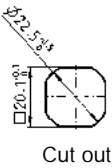
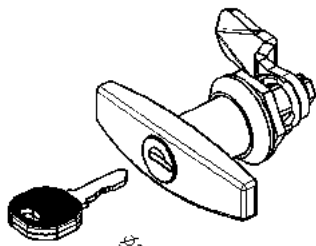
PROGRAM 1000

Beschlagteile



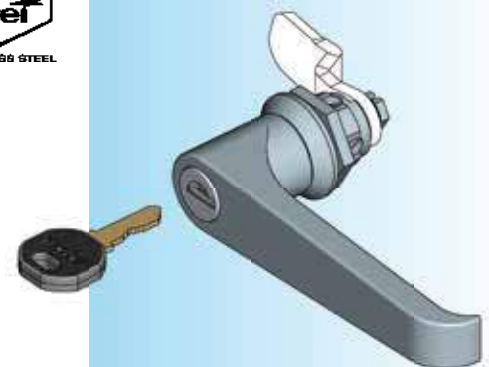
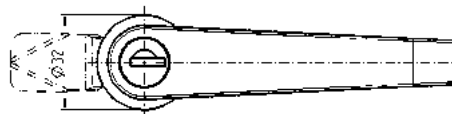
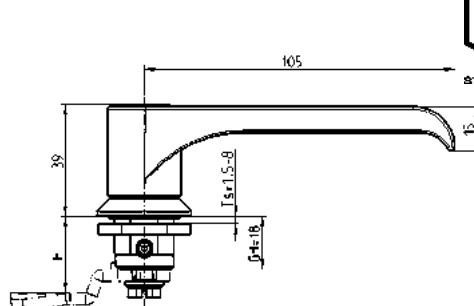
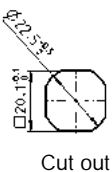
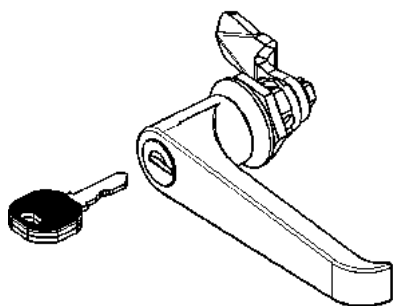
Wingknob quarter turn AISI 316, with seal

	non locking	keyed EK 333	keyed different
	1000-U665	1000-U150-PH	1000-U151-PH



T-handle quarter turn AISI 316, with seal

	non locking	keyed EK 333	keyed different
	1000-U664	1000-U10-PH	1000-U11-PH



L-handle quarter turn AISI 316, with seal

	non locking	keyed EK 333	keyed different
	1000-U658	1000-U15-PH	1000-U16-PH

Further parts see page

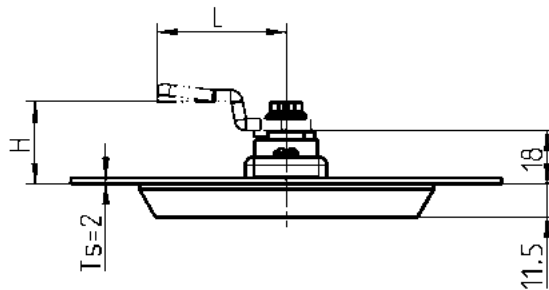
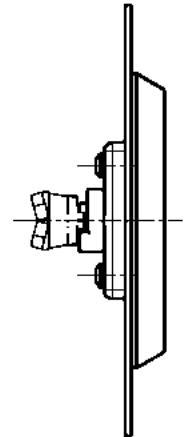
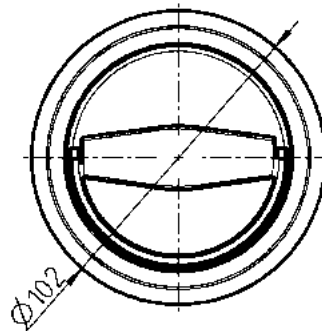
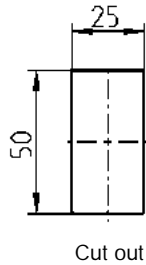
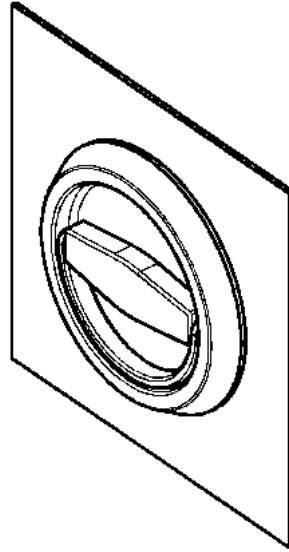
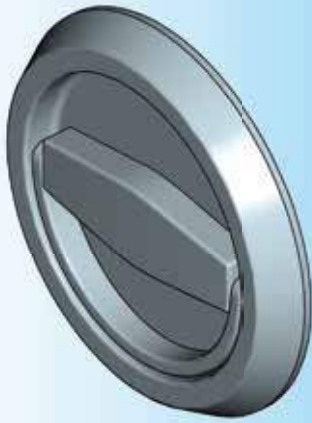
- Cam with catch 8A-320
- 8A-340
- (not suitable for stainless steel slam cam)
- Dust cap for T-handle 1C-340
- Spare key 12B-140



STAINLESS STEEL



- Info
- 1 Quarter turns
- 2 Rod controls
- 3 Locking systems
- 4 Hinges
- 5 Gasketing
- 6 Handles
- 7 Aluminium windows
- 8 Stainless steel



Further articles see page
 – Cam with catch 8A-320
 8A-340
 (not suitable for stainless steel
 slam cam)

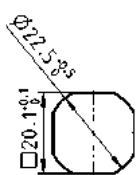
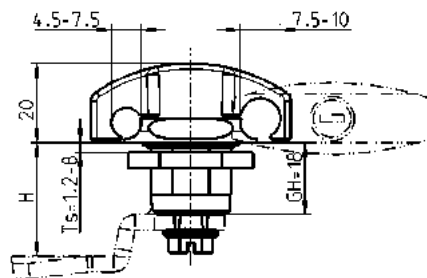
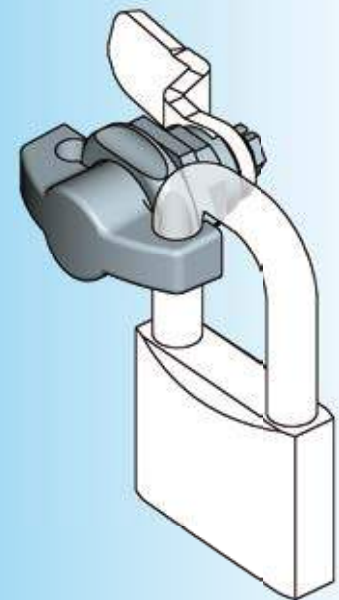
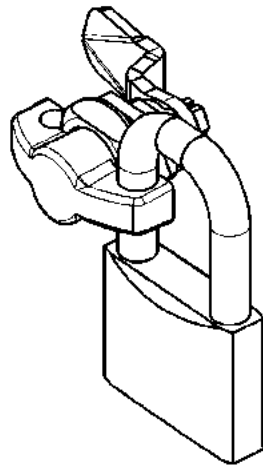
Ring handle quarter turn AISI 316 Ti, with seal

1098-U2

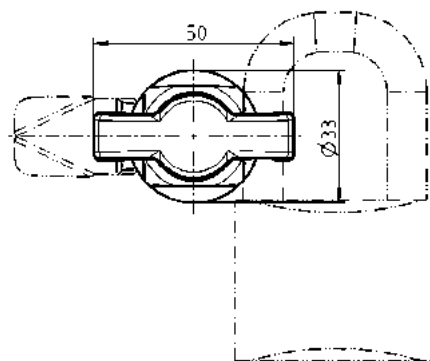
Stainless steel wing knob quarter turn for padlock

PROGRAM 1000

Beschlagteile



Cut out



Wing knob quarter turn AISI 316, with seal

1000-U429-01PH

© EMKA Beschlagteile GmbH & Co. KG • 2018 • www.emka.com

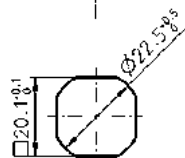
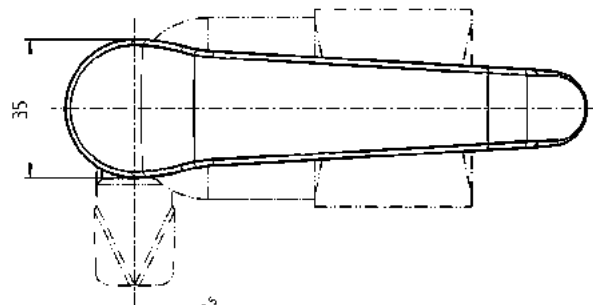
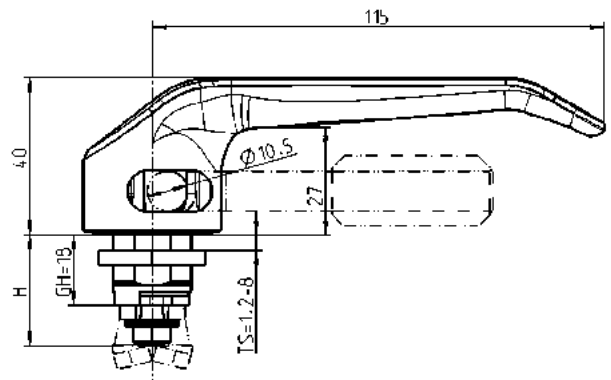
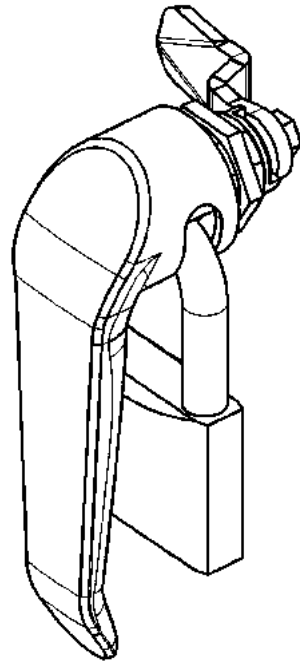
Further articles see page

– Cam with catch 8A-320
8A-340

(not suitable for stainless steel slam cam)

8A-270 01/14

(8A-280)



Cut out

Attention:
L-handle ist locked when a padlock is fitted.

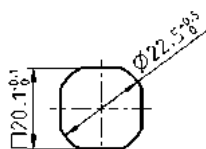
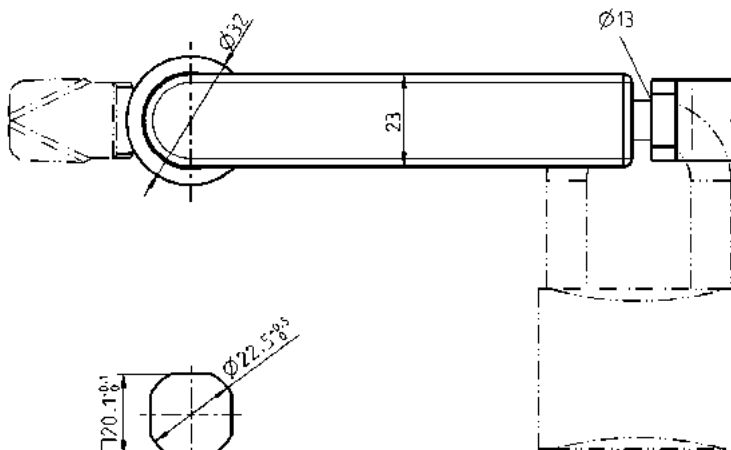
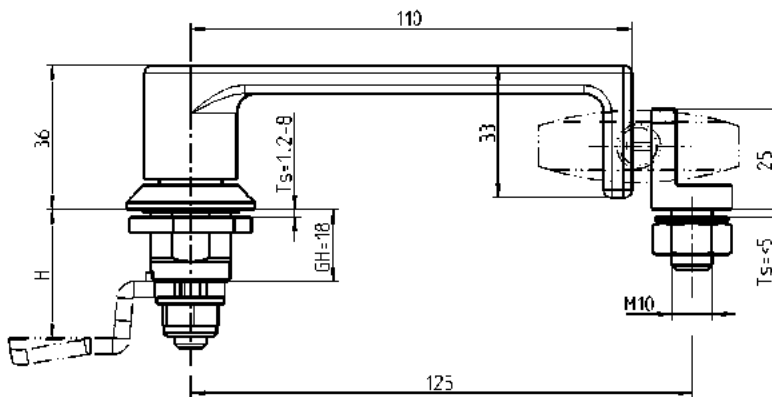
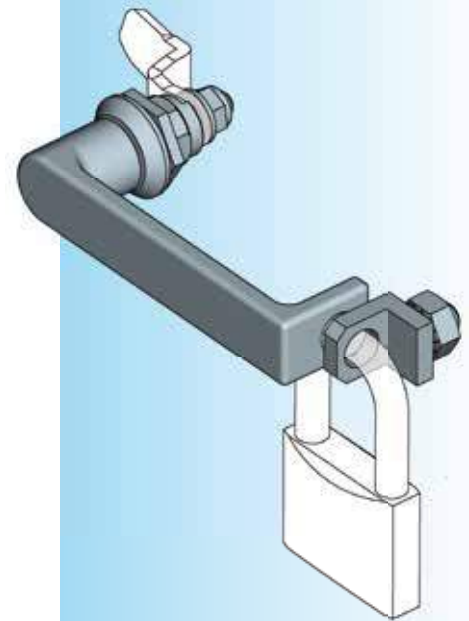
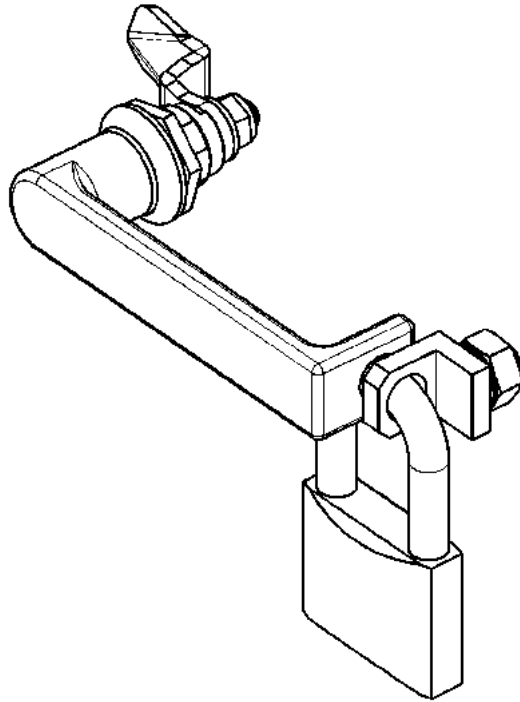
Further articles see page
– Cam with catch 8A-320
8A-340
(not suitable for stainless steel slam cam)

L-handle AISI 316; screw and nut stainless steel; with seal

1000-U860

Stainless steel L-handle quarter turn for padlock PROGRAM 1000

Beschlagteile



Cut out

Handle, housing and angle AISI 316; nut and washers stainless steel; with seal

1000-U842

Further articles see page

– Cam with catch 8A-320

8A-340

(not suitable for stainless steel slam cam)

Info

1 Quarter turns

2 Rod controls

3 Locking systems

4 Hinges

5 Gasketing

6 Handles

7 Aluminium windows

8 Stainless steel

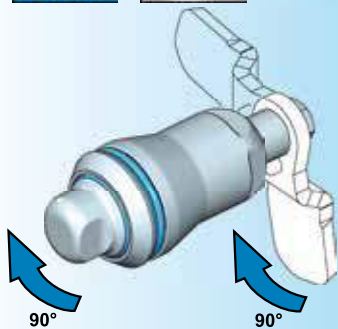


The quarter turn for hygienic areas meets the hygiene requirement acc. to DIN EN 1672-2 and DIN EN 14159

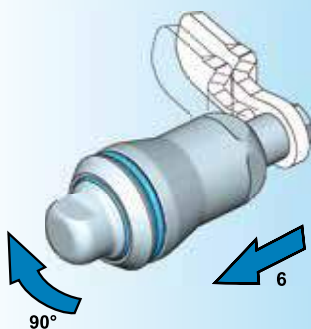
This item is completely IP65, not only from outside to inside

Tamper and vibration proof

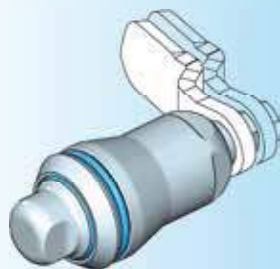
The compression latch is vibration proof as such. Depending on the installation location and the application conditions specific checks and / or supplementary measures for fixing are required.



Open
By turning the insert by 90°, the cam is turned.



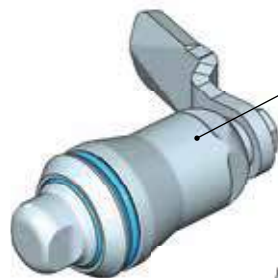
Closed
By turning the insert another 90°, the cam is moved 6 mm in axial direction.



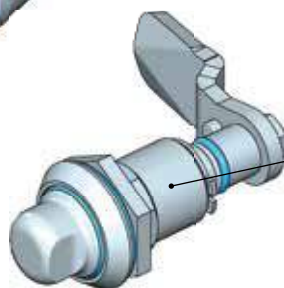
Compressed

Open:
Reversed movement

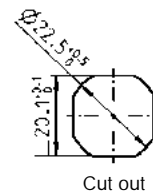
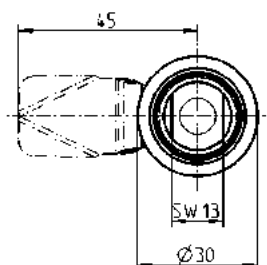
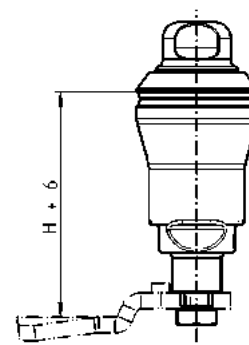
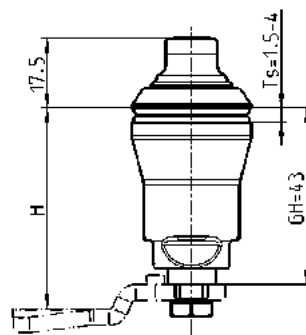
Further articles see page
– Cam with or without catch
8A-320



1000-U861
Hygiene type for outside and inside the cabinet



1000-U862
Hygiene type for outside the cabinet, not for inside



Cut out

Compression latch for hygienic areas AISI 316L; with spring and seal

Hygiene type for outside and inside the cabinet	1000-U861
Hygiene type for outside the cabinet, not for inside	1000-U862

Key zinc die raw

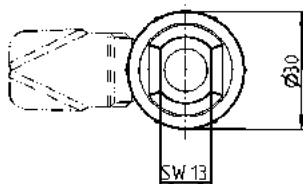
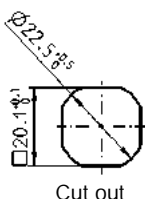
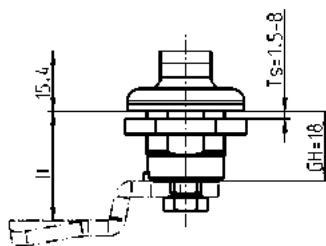
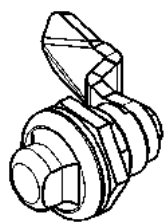
1004-53

Stainless steel quarter turns for hygienic areas

Stainless steel national railway quarter turns

PROGRAM 1000

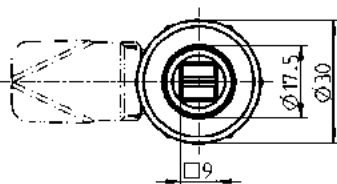
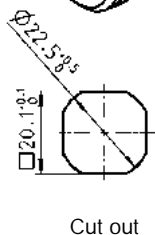
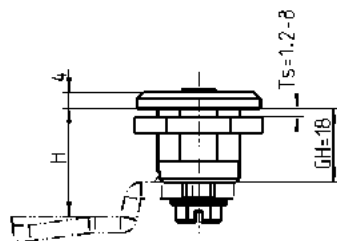
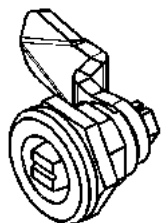
for hygienic areas



Stainless steel quarter turns with flat gasket flush on the outside

quarter turn material on choice, with seal	
AISI 316L	1000-U838-02
AISI 303	1000-U838-02PF
Key zinc die raw	
	1004-53

National railway



Housing with insert, screw and nut AISI 304	
	1000-U431-PF
IP 65 is achieved by	
flat seal	1000-23
O-ring	1000-24
IP 66 is achieved by:	
Seal set	1000-U769
Assembly on request:	
without O-ring	1000-990
with O-ring	1000-991



Note:

The quarter turns for hygienic areas meet the hygiene requirement acc. to DIN EN 1672-2, DIN EN 14159 and EHEDG Dok.8.

The gaskets meet the requirements of the FDA 21 CFR 177.2600 and VO 1935/2004.

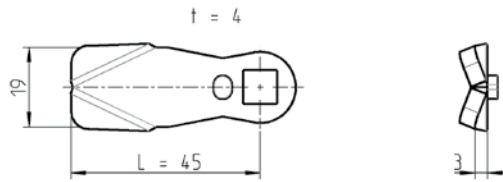
Further parts see page

– Cam with catch 1C-120
(GH = 18)

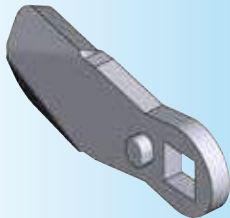
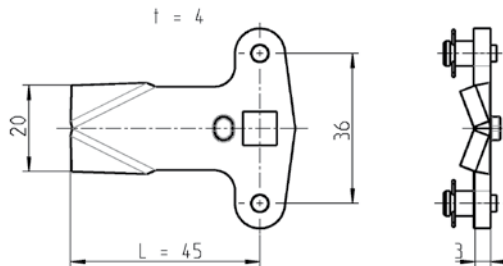




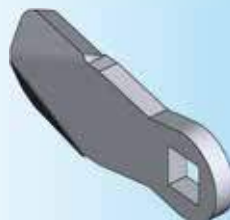
Version 1
Cam



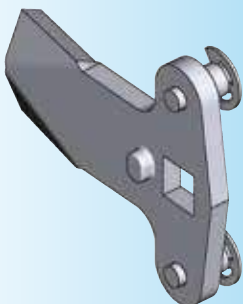
Version 2
Cam with rod control (flank cam)



Cam with catch



Cams without stopper on request

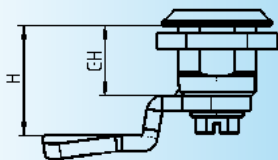


Note:

This catalogue page does not show all available cams.

Other versions such as:

- Cam without pip
 - Cams with other H- and L- dimension
 - Cams with spoon in the opposite direction
 - etc.
- please ask.



Further parts see page

- Ramp 1C-170
- Rod 8A-360
- Quarter turns 8A-220
- to 8A-230
- 8A-240
- up to 8A-290

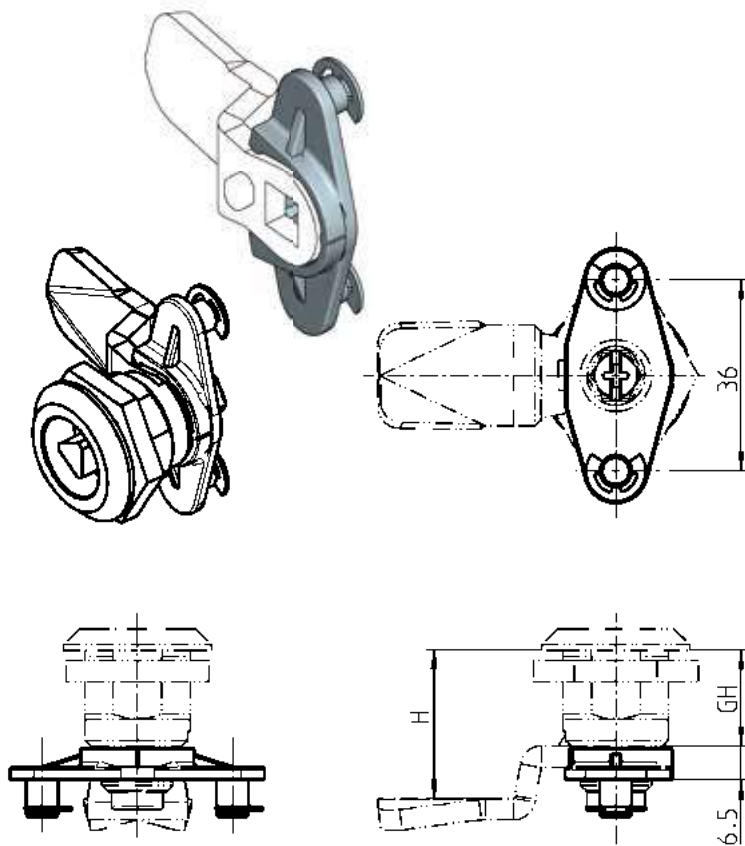
Cam with catch material as requested

H dimensions for GH ≙			Version 1		Version 2
			AISI 304	AISI 316	AISI 304
4	17	29	-	-	-
6	19	31	1000-221	1000-221-PD	-
8	21	33	-	-	-
10	23	35	1000-223	1000-223-PD	-
13	26	38	-	-	-
14	27	39	1000-225	1000-225-PD	-
16	29	41	-	-	-
18	31	43	1000-227	1000-227-PD	-
20	33	45	1000-228	1000-228-PD	-
22	35	47	1000-179	1000-179-PD	1000-U139
24	37	49	1000-229	1000-229-PD	-
25	38	50	-	-	-
26	39	51	1000-230	1000-230-PD	-
28	41	53	1000-180	1000-180-PD	1000-U140

Stainless steel rod control Stainless steel slam cam

PROGRAM 1000

Stainless steel rod control



3-point rod control for cams program 1000 AISI 316

1000-U776-PH

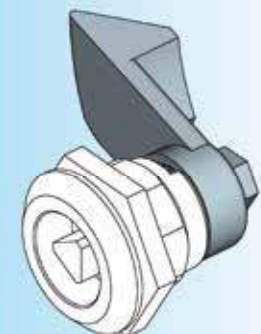
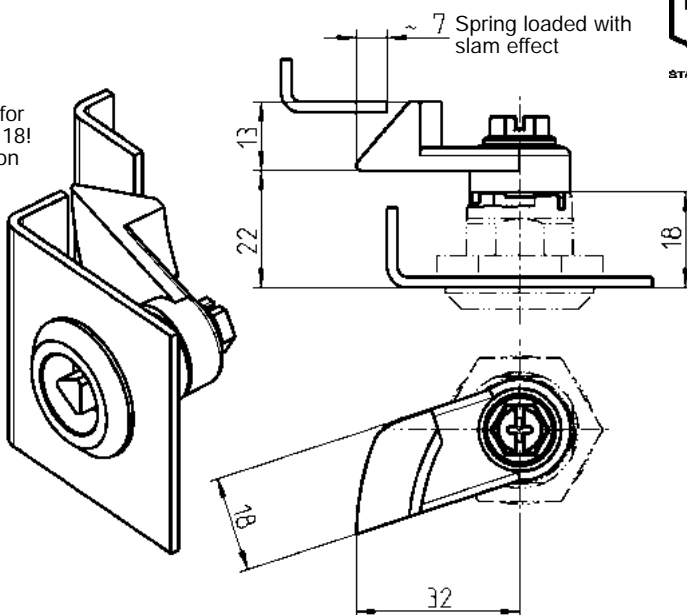
Stainless steel slam cam

Note:

Slam cam is designed for quarter turn with GH = 18! Other dimensions GH on request.

The wave washer (delivered with the insert) has to be replaced by the enclosed spacer.

With the following slam cams 1000-U235-NPH and 1000-U236-NPH IP 54 up to IP 69K is impossible!



Further parts see page

- Cam with or without catch 8A-320
- Rod 8A-360
- Ramp 1C-170

Slam cam AISI 316, spacer, screw stainless steel

for quarter turn see catalogue page

RH

LH

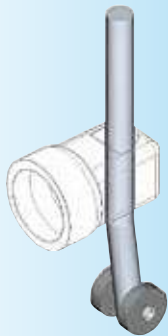
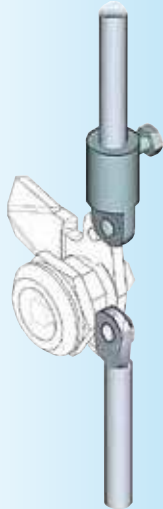
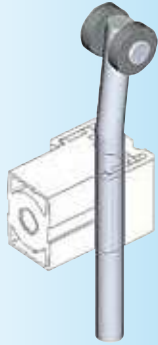
8A-220 and 8A-290

1000-U235-NPH

1000-U236-NPH

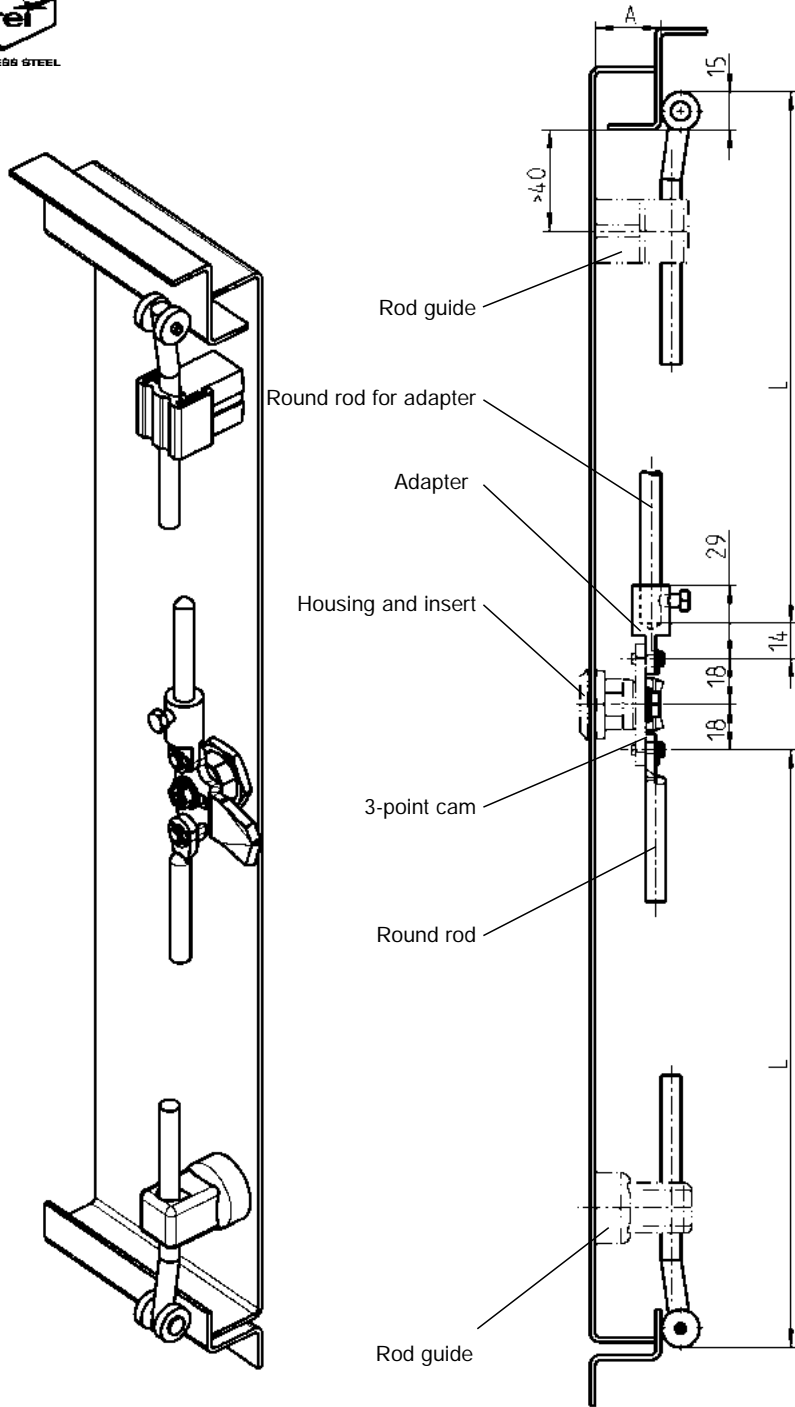


- Info
- 1 Quarter turns
- 2 Rod controls
- 3 Locking systems
- 4 Hinges
- 5 Gasketing
- 6 Handles
- 7 Aluminium windows
- 8 Stainless steel



Further parts see page
 – 3-point cam
 – Rod guide
 (see dimension A)

8A-320
 8A-340
 1C-640



Rod Ø 8 AISI 304 with rollers polyamide black

L		L	
600	1049-U12	900	1049-U15
700	1049-U13	1000	1049-U16
800	1049-U14	1100	1049-U17

Adapter AISI 303

1000-U141

Rod Ø 8 with eye AISI 304 and rollers polyamide black

Expl.: Length 938 mm	1000-U538-L 938	1000-U538-L in mm (1000-U538-01 to -09)
		see price list

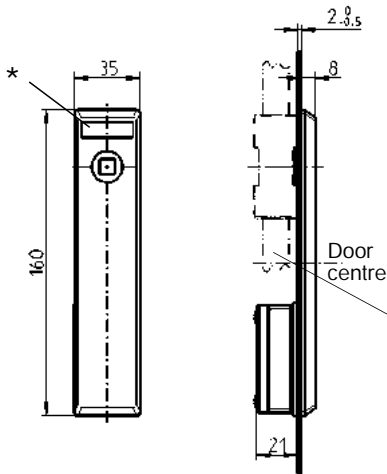
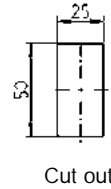
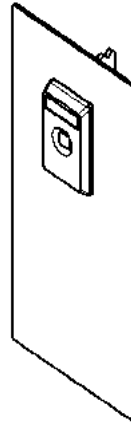
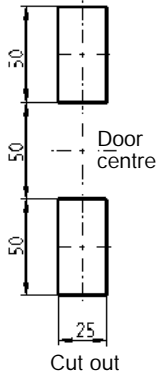
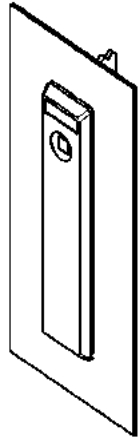
Stainless steel escutcheon with insert

PROGRAM 1125

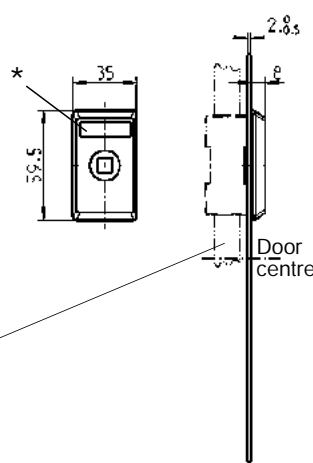


Escutcheon long

Escutcheon short



Rod control



Escutcheon AISI 316, cap polyamide GF black (only for escutcheon long version), fixing material stainless steel, with seal

	Escutcheon long	Escutcheon short
for square, triangular, double bit, Daimler-Benz, slot	1121-U133-6PH	1121-U22-6PH
Insert AISI 316, fastening material stainless steel		
Square 6	on request	Double bit 3
Square 7	1121-U12-PH	Double bit 5
Square 8	on request	Square female 8
Triangular 6,5 CNOMO	on request	Daimler Benz
Triangular 7	1121-U14-PH	Slot 2 x 4
Triangular 8	on request	

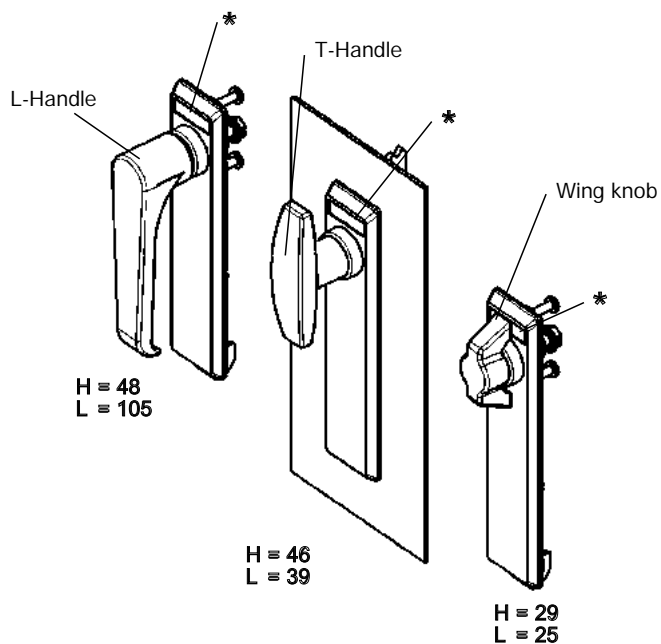
* Logo recessed: 27 x 8 x 0,5
Multicolour print possible

Further parts see page

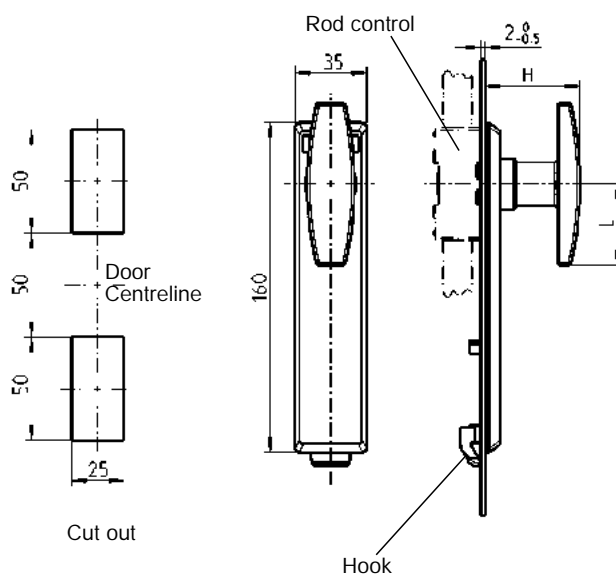
- Key 12B-120
- Rod control for long version 8A-720
- Short version 8A-740
- Bearing bush 8A-780

Escutcheon with stainless steel handle

PROGRAM 1125

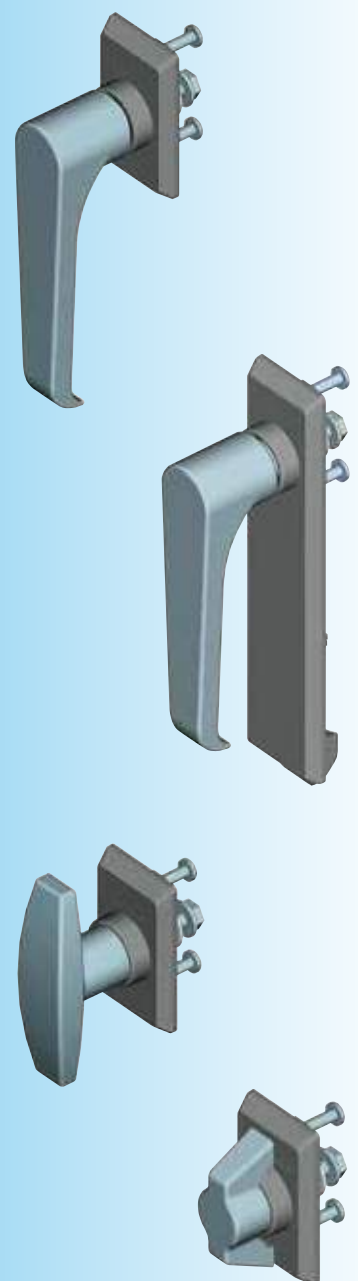
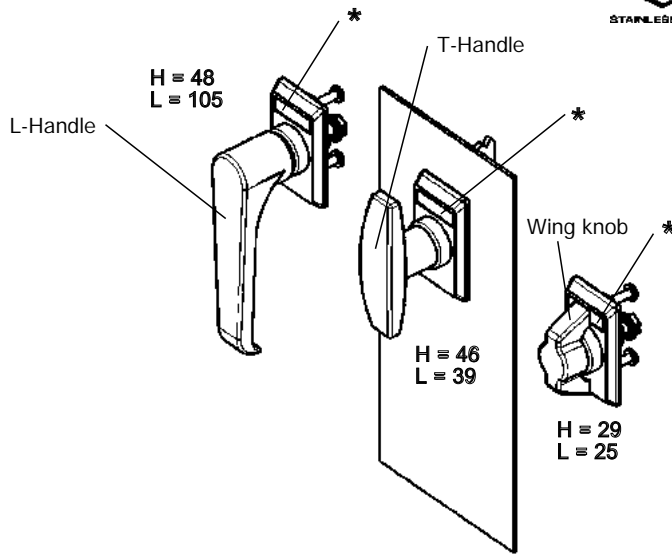


Escutcheon long

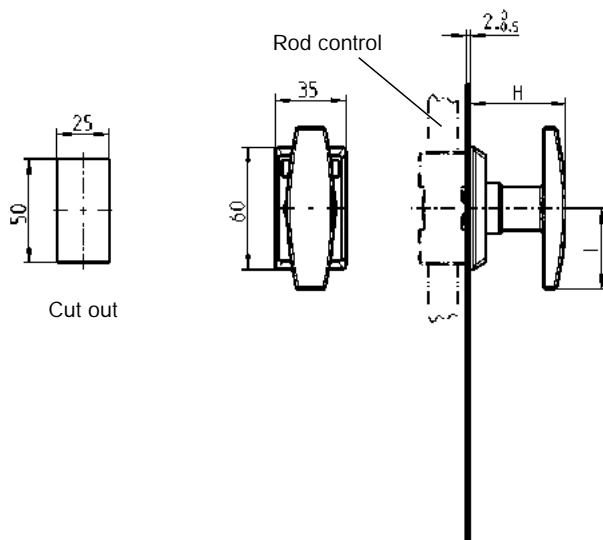


Escutcheon long polyamide GF black, fastening material stainless steel, with seal

	Catch plate IP 40	snap on cap IP 40	screw on cap IP 65
L-handle AISI 316			
without cylinder	1123-U34-6	1123-U34-N6	1123-U35-6
T-handle AISI 316			
without cylinder	1123-U38-6	1123-U38-N6	1123-U39-6
Wing knob AISI 316			
without cylinder	1123-U41-6	1123-U41-N6	1123-U42-6



Escutcheon short



Escutcheon short polyamide GF black, fastening material stainless steel, with seal IP 65

L-handle AISI 316

without cylinder 1123-U36-6

T-handle AISI 316

without cylinder 1123-U37-6

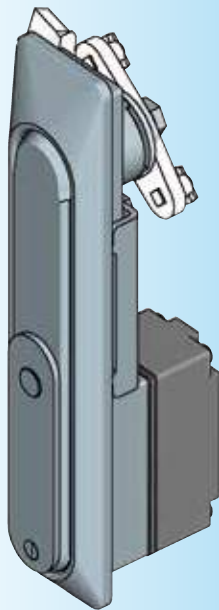
Wing knob AISI 316

without cylinder 1123-U40-6

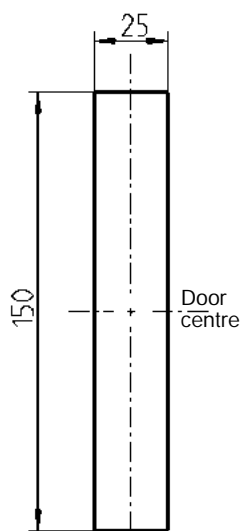
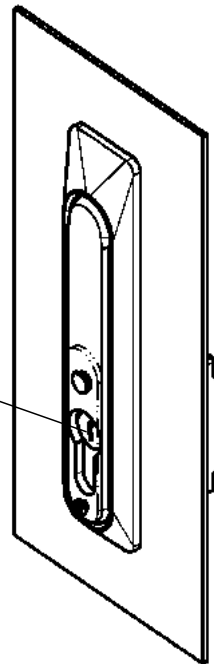
* Logo recessed 27 x 8 x 0,5
Multicolour print possible

Further parts see page

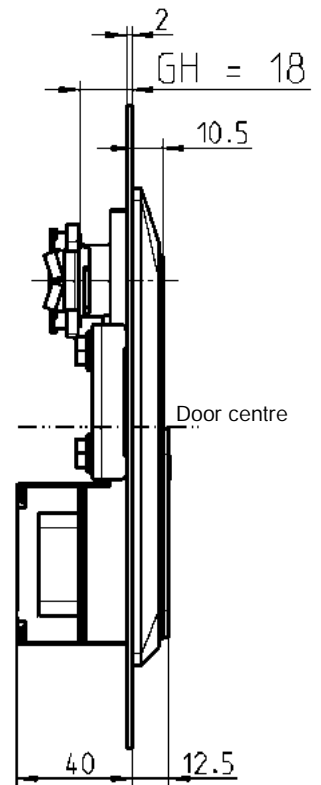
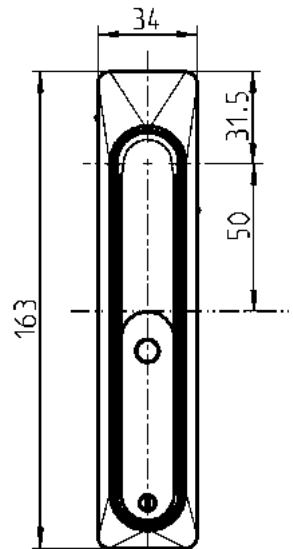
- Rod control long version 8A-740
- Short version 8A-720
- Bearing bush 8A-780
- 3YB-120



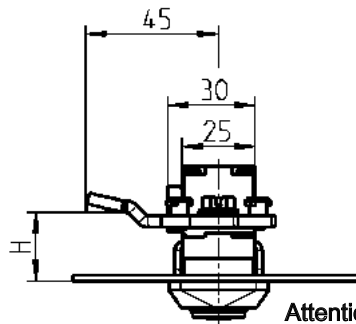
Profile half cylinder is recessed by 3mm



Cut out



Turn 90°
Stroke 26 or 35 mm



Attention: Length of housing GH = 18 mm

Suitable for Profile half cylinder
(length A = 30) DIN 18252
(EN 1303)

Further parts see page

- 3-point cam 8A-790
- Cam 3YC-120
- Rod 3ZB-540
- (Version A)
- Profile half cylinder 3XB-120

Swinghandle AISI 316, shaft AISI 303, cap polyamide black,
fixing material stainless steel, with
seal

for profile half cylinder 40

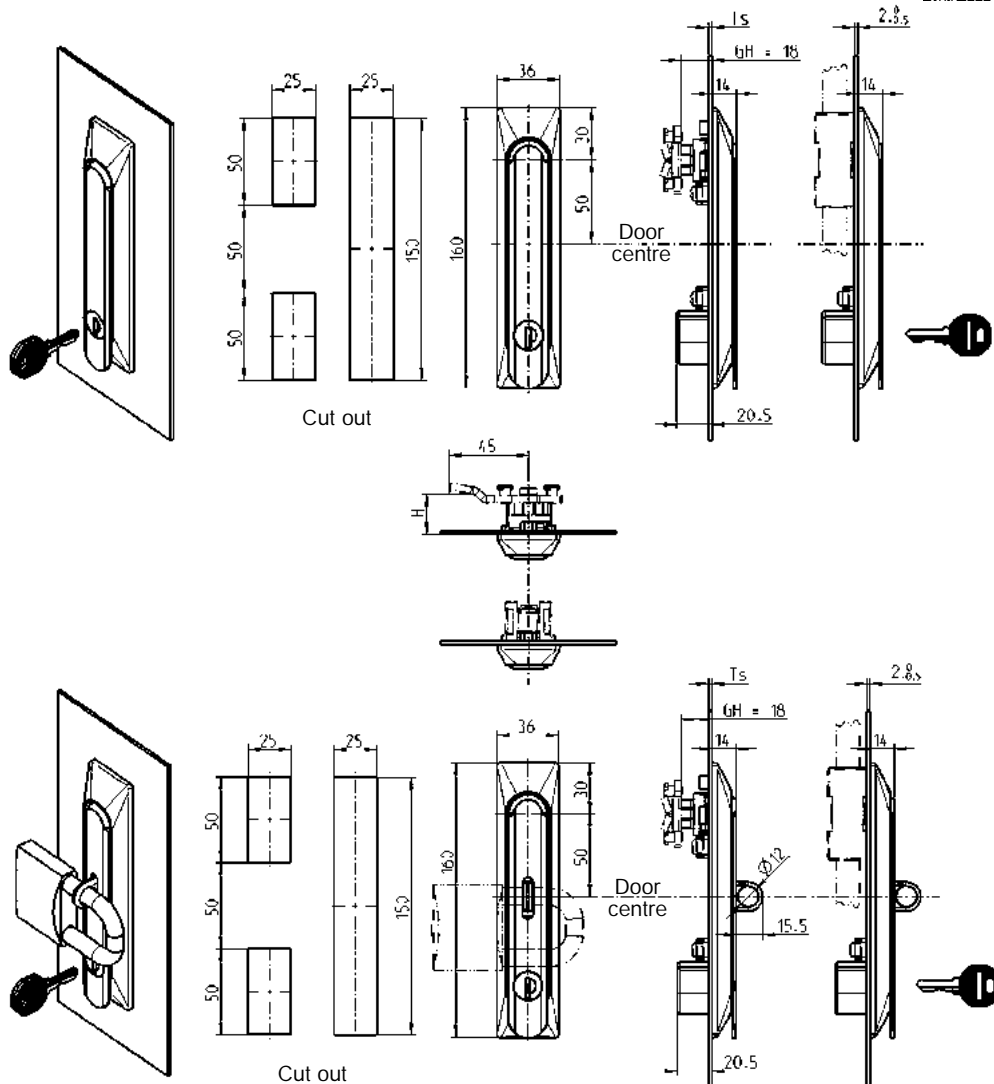
1154-U2

Stainless steel swinghandle* 1150 with universal escutcheon

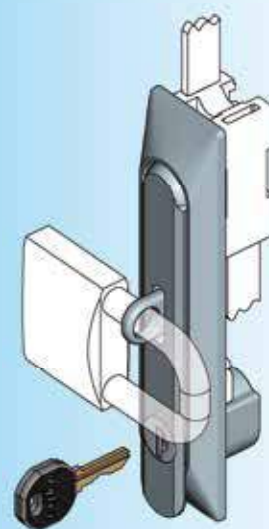
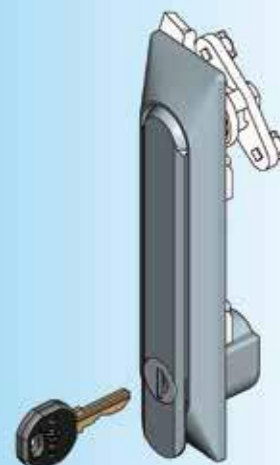
PROGRAM 1150

Attention:

Please order fixing material separately
Ts = 1.0 to 3.0 mm depending on choice of fixing material.



Beschlagteile



Swinghandle and escutcheon AISI 316, shaft AISI 303, with seal
round cylinder AISI 316 with stainless steel cap and shutter
Each round cylinder has one silver steel key with polyamide grip GF black.

keyed EK 333	1150-U33-22PH
keyed EK 333 and for padlock	1150-U33-13PH
keyed different	1150-U34-22PH
Insert AISI 316	
Square 6	on request
Square 7	1150-U37-22PH
Square 8	1150-U38-22PH
Triangular 6,5 CNOMO	on request
Triangular 7	1150-U40-22PH
Triangular 8	1150-U41-22PH
Double bit 3	1150-U42-22PH
Double bit 5	1150-U43-22PH
Daimler Benz	on request
Slot 2x4	1150-U35-22PH
Hexagon 8 mm female with pin	on request
Male hexagon 11 mm	on request

* can be assembled in cut out of 1125/1225

Further parts see page

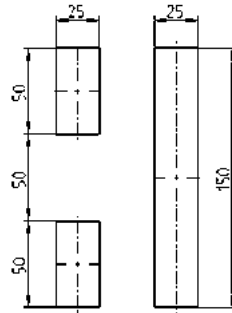
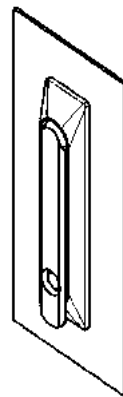
- Fixing material	8A-634
- Cam (GH = 18)	3YC-120
- 3-point cam	8A-790
- Rod control	8A-740
- Key	12B-120
- Spare key	12B-140

On request:

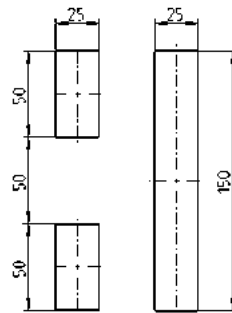
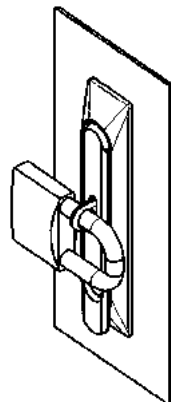
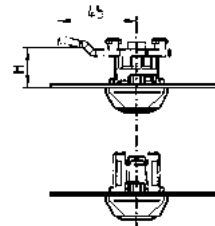
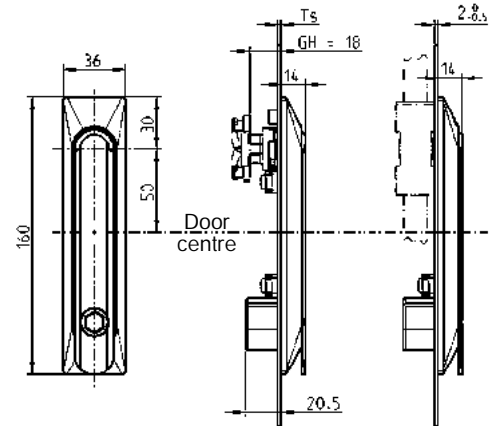
- Key retained in the unlocked position
- Other inserts



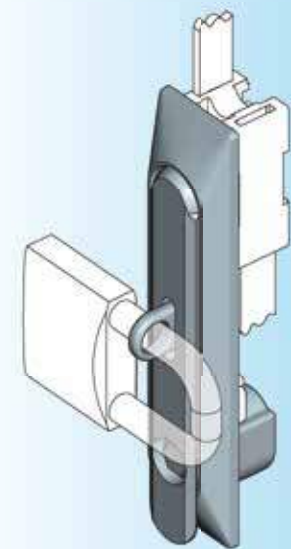
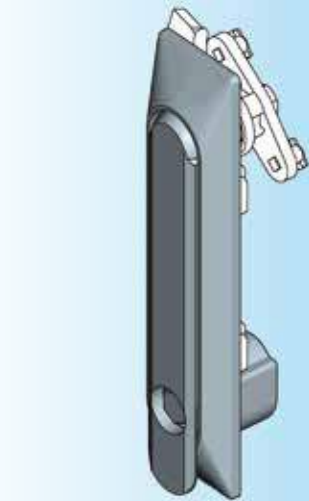
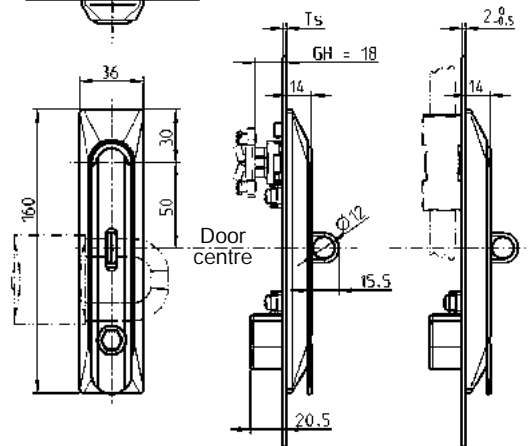
Attention:
Please order fixing material separately
Ts = 1.0 to 3.0 mm depending on choice of fixing material



Cut out



Cut out



Swinghandle and escutcheon AISI 316, shaft AISI 303, with seal

Insert AISI 316	Push to lock	Push to lock and for padlock
Square 6	on request	on request
Square 7	on request	on request
Square 8	on request	on request
Triangular 6,5 CNOMO	on request	on request
Triangular 7	on request	on request
Triangular 8	on request	on request
Double bit 3	on request	on request
Double bit 5	on request	on request
Daimler Benz	on request	on request
Slot 2x4	on request	on request
Hexagon 8 mm female with pin	on request	on request
Male hexagon 11 mm	1150-U46-30PH	1150-U46-31PH

* can be assembled in cut out of 1125/1225

Further parts see page

- Fixing material 8A-634
- Cam (GH = 18) 3YC-120
- 3-point cam 8A-790
- Rod control 8A-740
- Key 12B-120
- Spare key 12B-140

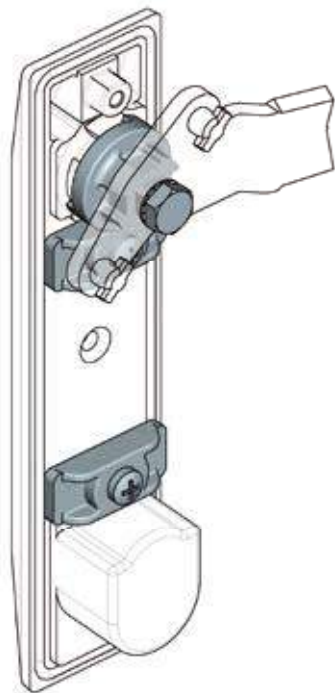
On request:

- Other inserts

Fixing material for stainless steel swinghandle with universal escutcheon

PROGRAM 1150

Fixing material for stainless steel swinghandle with cam

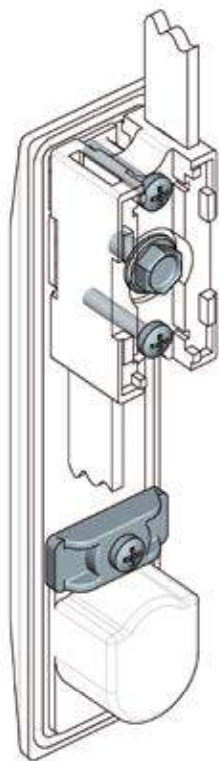


Bridge and adapter AISI 316, stainless steel fixing material

Ts = 1.0 to 3.0

1150-U52-PH

Fixing material for stainless steel swinghandle with rod control



Further parts see page

- Stainless steel swinghandle with universal escutcheon 8A-630
8A-632
- Cam (GH = 18) 3YC-120
- 3-point cam 8A-790
- Rod control 8A-740

On request:

- Other door thicknesses

Bridge AISI 316, stainless steel fixing material

Ts = 2.0- 0.5

1150-U53-PH

Info

Quarter turns

1

2

3

4

5

6

7

8

Locking systems

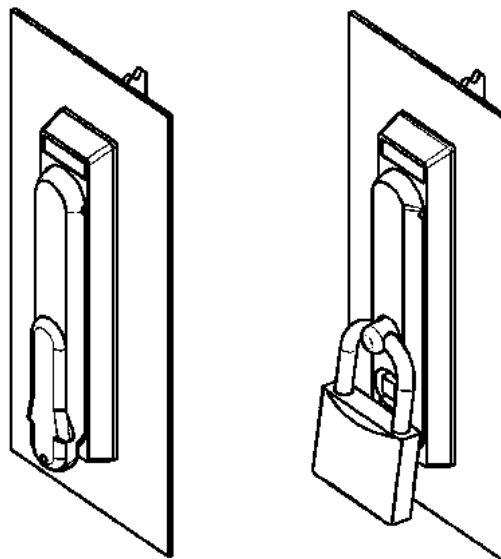
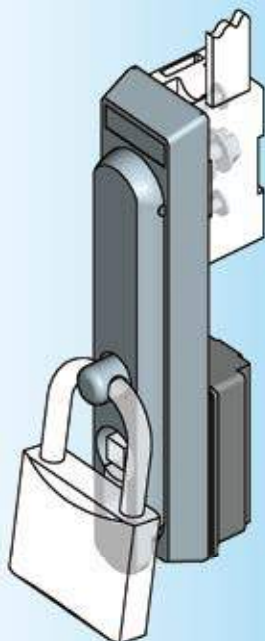
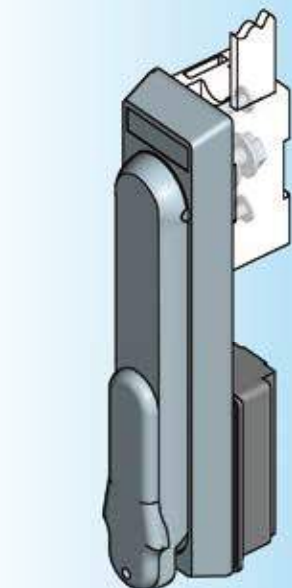
Hinges

Gasketing

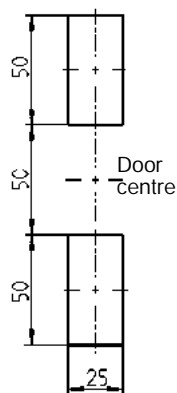
Handles

Aluminium windows

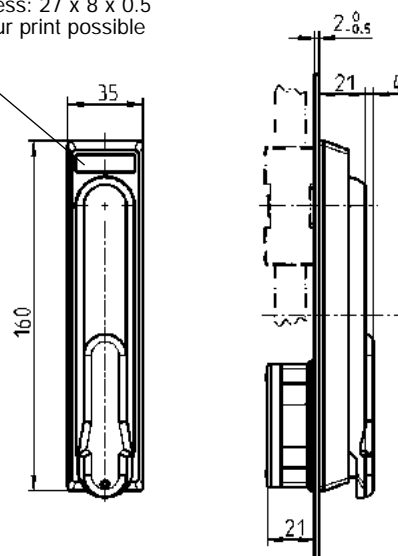
Stainless steel



Logo recess: 27 x 8 x 0.5
Multicolour print possible



Cut out



Further parts see page

- Rod control 8A-740
- Bearing bush 8A-780
- 3YB-120
- Profile half cylinder 3XB-120

Swinghandle AISI 316 for 40 mm profile half cylinder, shaft and padlock device AISI 303; cap polyamide black, with seal

with dust cap; IP 66	1125-U191-APH
for padlocking < Ø 7,5; IP 65	1125-U184-APH

Stainless steel swinghandle 1154 with WK2

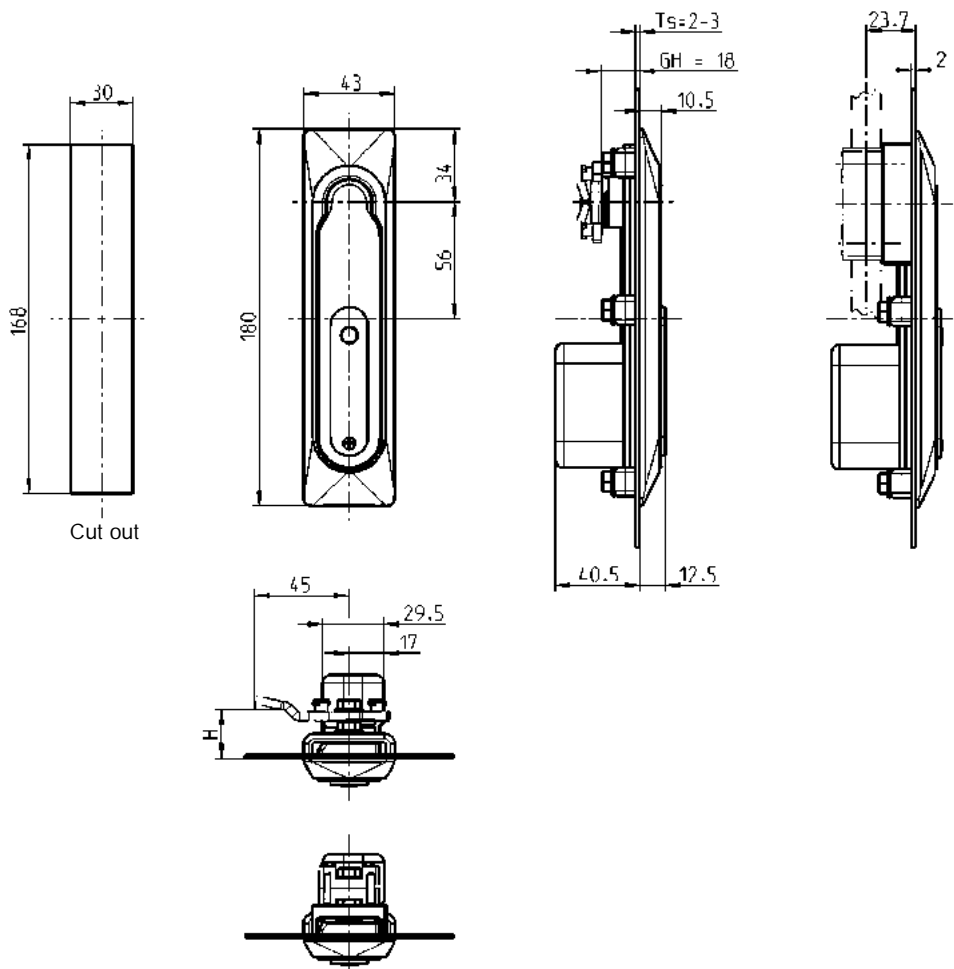
PROGRAM 1150

Suitable for profile half cylinder
(Length A = 30) DIN 18252 (EN 1303)



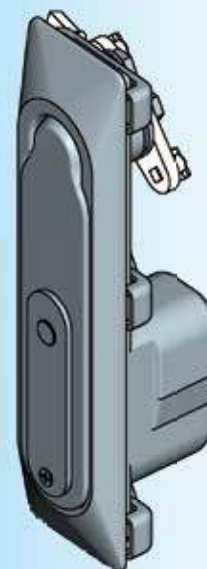
PIV certificate 20-15/07

The swinghandle has successfully passed the test according to WK 2 DIN V ENV 1630. The test was approved by the Test Institute for Locks and Fittings in Velbert.

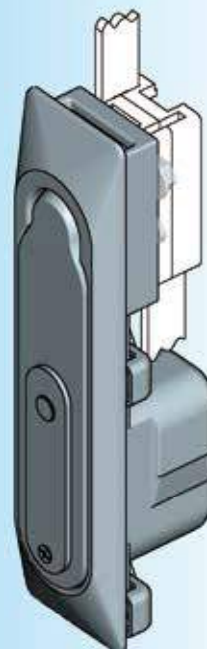


Cut out

Beschlagteile



Turn 90° with cam



Further parts see page

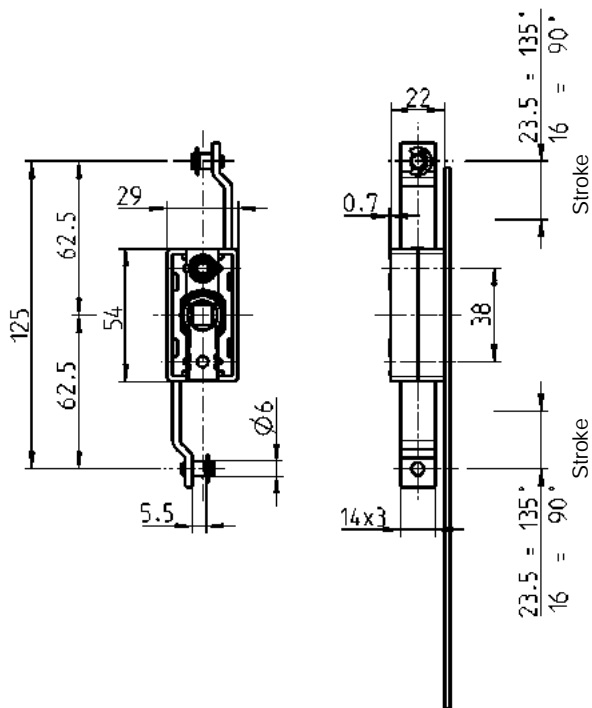
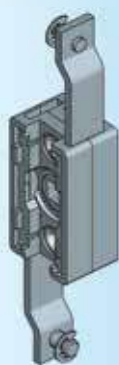
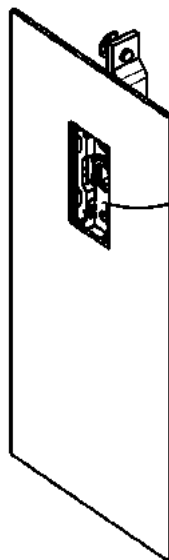
- 3-point cam 8A-790
- Cam (GH=18) 3YC-120
- Rod control 8A-760
- Profile half cylinder 3XB-120

Swinghandle AISI 316, shaft AISI 303, fastening material stainless steel, with seal

for cam	1154-U4
for rod control	1154-U5



Grounding device



Further parts see page

- Rods
 - inside 3ZB-120
 - 3ZB-220
- Grounding device 3YA-720

Program 1125

- Escutcheon short 8A-510
- 8A-520

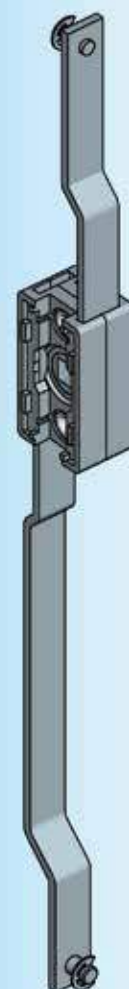
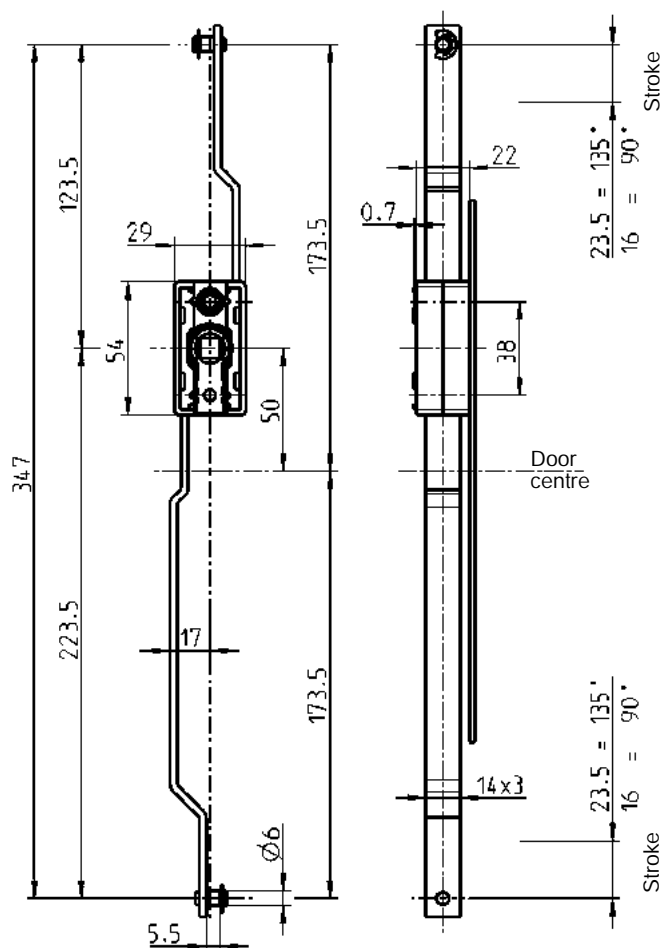
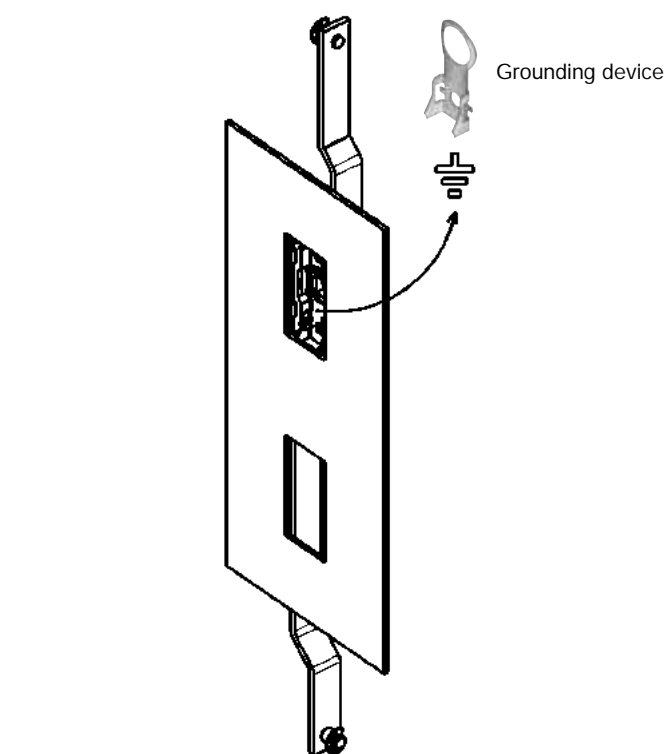
Rod control housing AISI 316, rods AISI 304

1121-U138

Stainless steel rod control

PROGRAM 1125

Beschlagteile



Further parts see page

– Rods

outside

3ZA-120

3ZA-320

inside

3ZB-120

3ZB-220

3YA-720

– Grounding device

Program 1125

– Escutcheon long

8A-510

8A-520

– Swinghandle

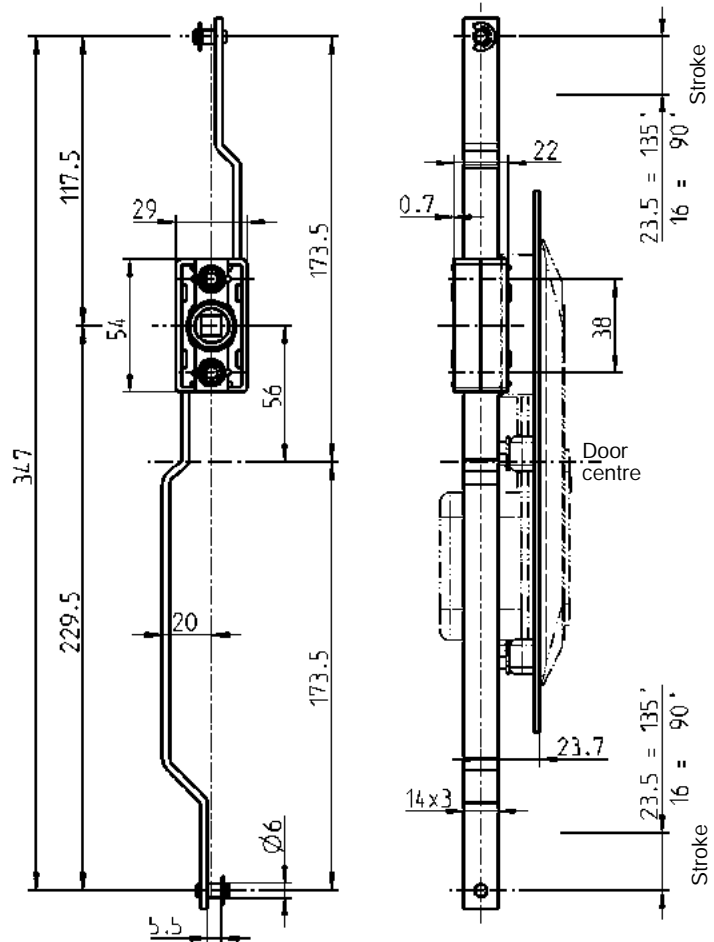
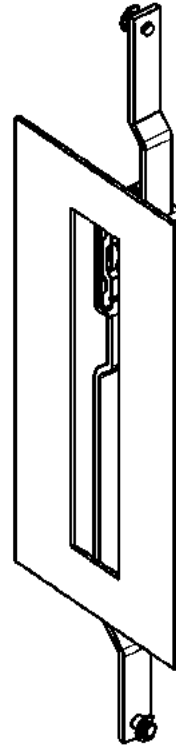
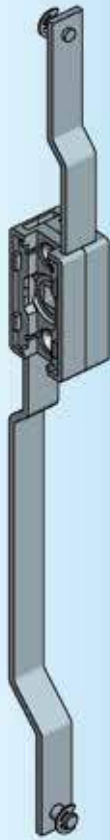
8A-660

Rod control housing AISI 316, rods AISI 304

1121-U139



STAINLESS STEEL



Further parts see page
– Rods on request

Program 1150
– Swinghandle 1154
with WK2 8A-680

Rod control housing AISI 316, rods AISI 304

1121-U140

Stainless steel bearing bush, stainless steel rod guide

PROGRAM 1121, 1125

EMKA

®

Info

1 Quarter turns

2 Rod controls

3 Locking systems

4 Hinges

5 Gasketing

6 Handles

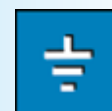
7 Aluminium windows

8 Stainless steel

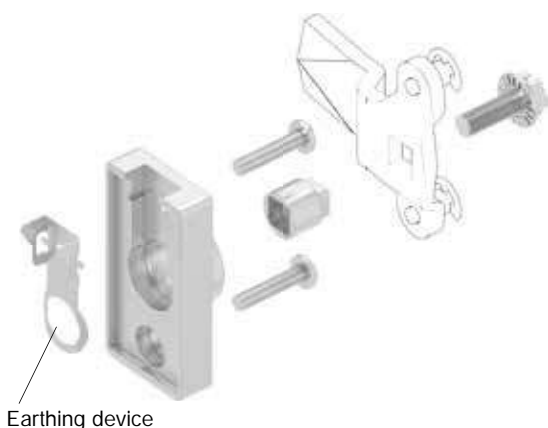
Beschlagteile



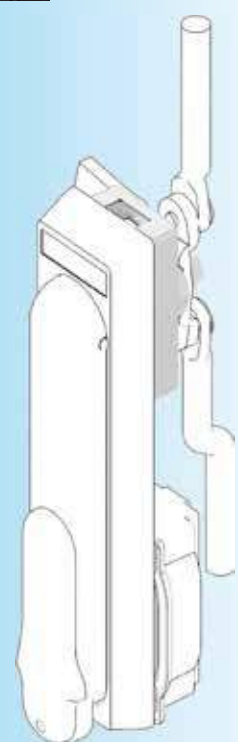
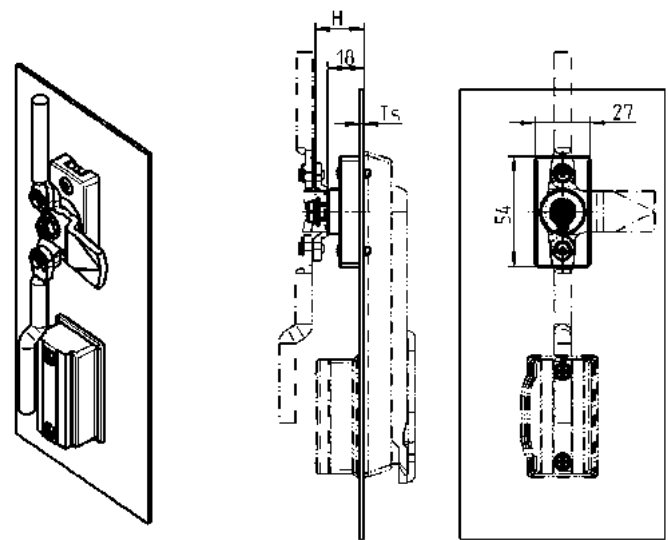
RL



INOX
AISI
3..



Earthing device



Bearing bush AISI 316

for Ts 2,0	1125-81-020PH
------------	---------------

**Order separately:
Adapter AISI 316, fixing material stainless steel**

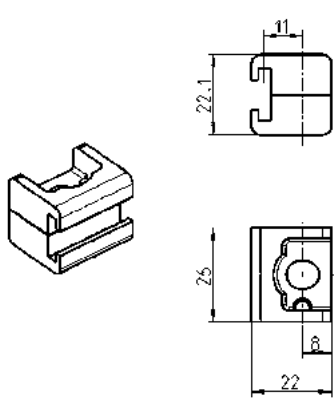
for swinghandle	1125-U284-PH
for escutcheon	1125-U286-PH

Further parts see page

- 3-point cam 8A-790
- Rods 8A-360
- Leading ramp 1C-170

Program 1125

- Escutcheon 8A-510
- 8A-520
- Swinghandle 8A-660



Rod guide AISI 316 for weld studs or countersunk screw

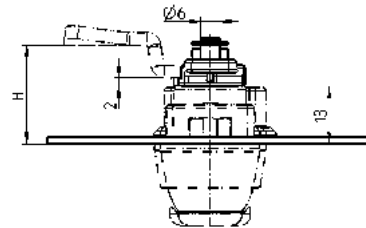
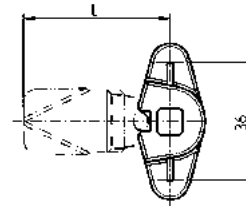
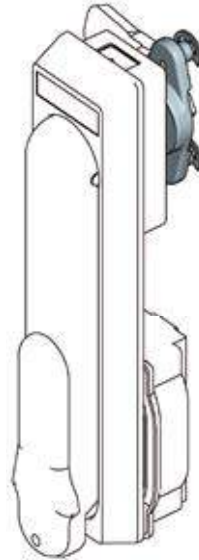
1121-U71-PH

Further parts see page

- Rods 3ZA-120



Stroke 18 mm



Note:

Rod for rod control combined with swinghandle 1154 with WK 2 on request only!

Attention:

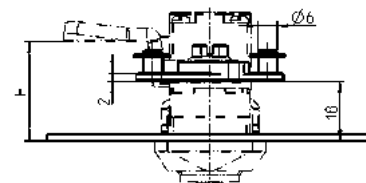
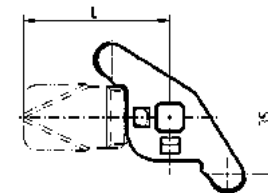
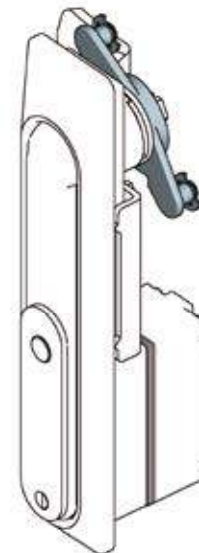
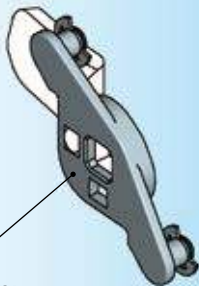
By using the rod control the H-dimension of the cam increases by 2 mm

Rod control AISI 316

1107-U246-PH



Stroke 35 mm



Note:

Rod for rod control combined with swinghandle 1154 with WK 2 on request only!

Attention:

Use only rod with eye!

Further parts see page

– Cam with and without pip 8A-320

– Rod inside 8A-360
(not for swinghandle 1154 with WK2)

Program 1091
– Heavy duty latch 8A-840

Program 1125
– Bearing bush 8A-780

Program 1150
– Swinghandle 1154 8A-620
– Swinghandle 1154 with WK2 8A-680

Rod control AISI 316

1150-U57

Stainless steel heavy duty latch

PROGRAM 1091

Beschlagteile

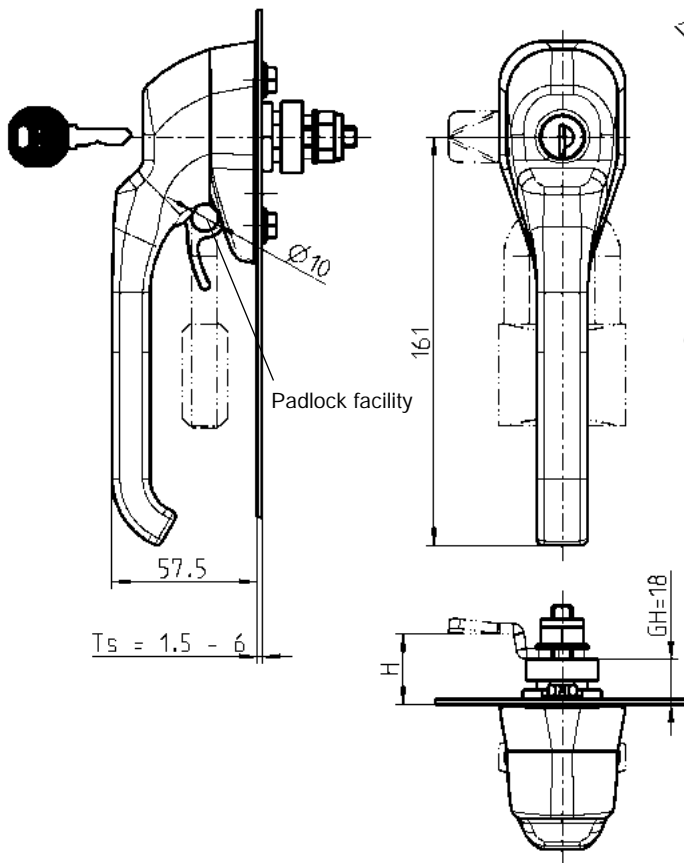
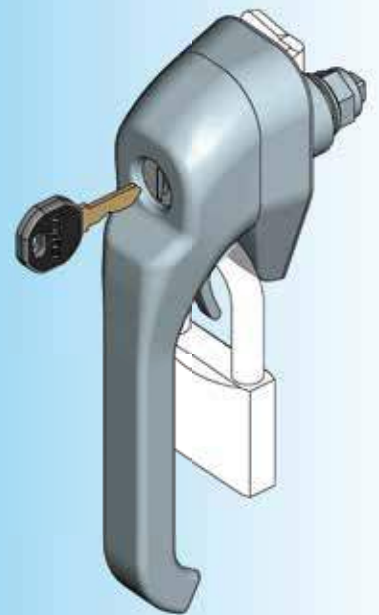
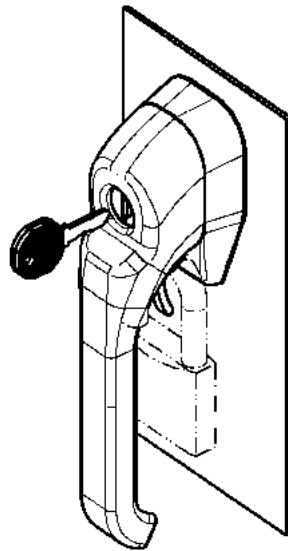


RL

IP 65



INOX
AISI
3..



Cut out

Only two of these three 6 mm diameter holes are required

Heavy duty latch AISI 316, round cylinder zinc die with stainless steel cap and dust cap. Each cylinder has one silver steel key with polyamide GF grip black.

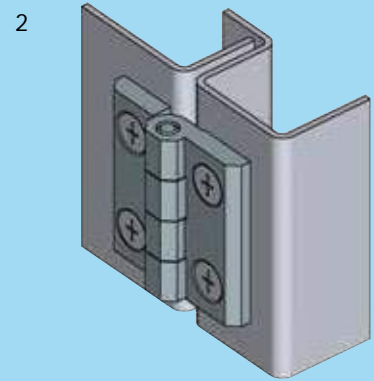
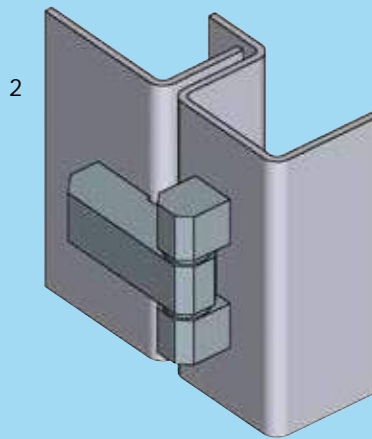
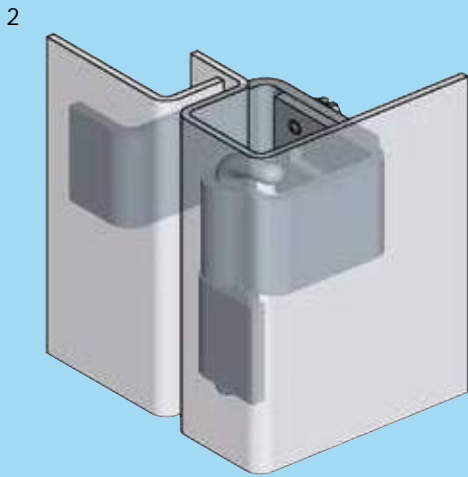
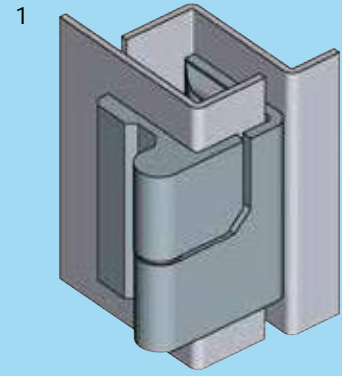
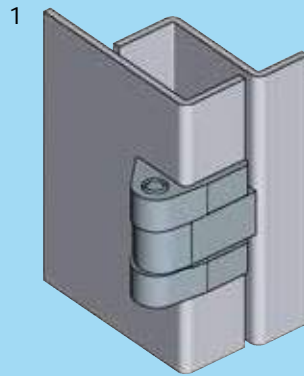
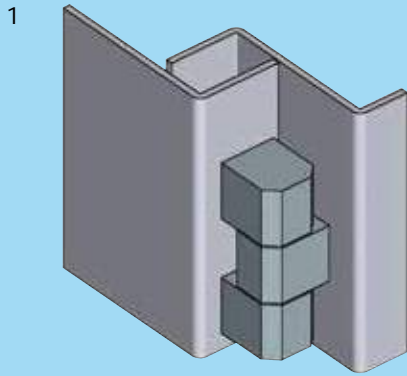
spring loaded

without insert	1091-U142
keyed EK 333	1091-U142-02
keyed different	1091-U142-03
Slot 2 x 4	1091-U142-01

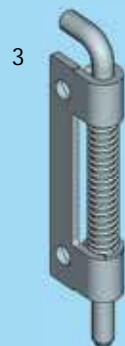
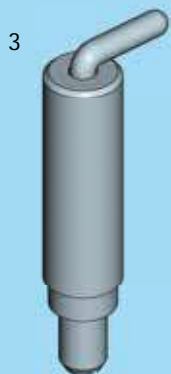
Further parts see page

- Cam with pip 8A-320
- 3-point cam 8A-790
- Spare key 12B-140

Stainless steel hinges



Door and housing/frame pictured transparent

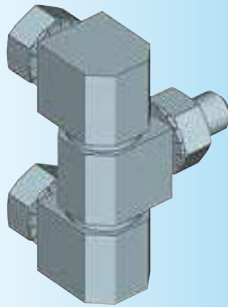
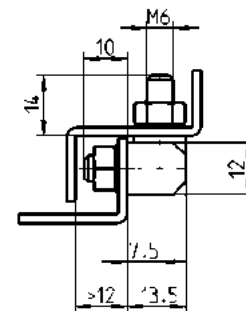
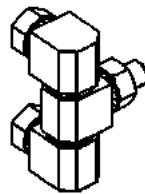
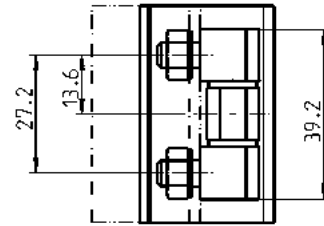
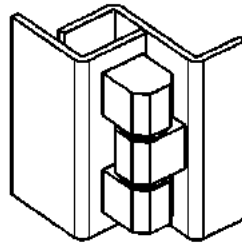


- 1 Hinge for prominent door
- 2 Hinge for flush door
- 3 Pin hinge

- 8B-120 to 8B-180, 8B-400
- 8B-320 to 8B-400
- 8B-520



8B-100



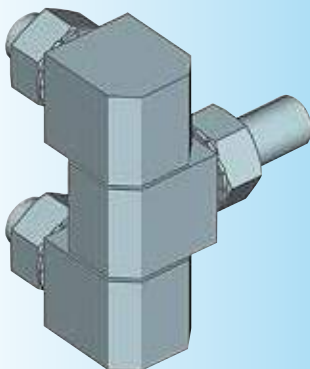
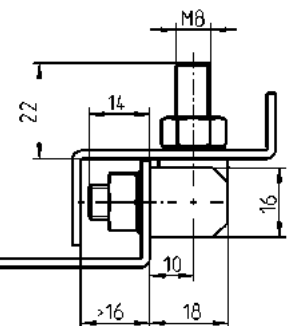
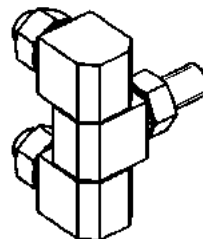
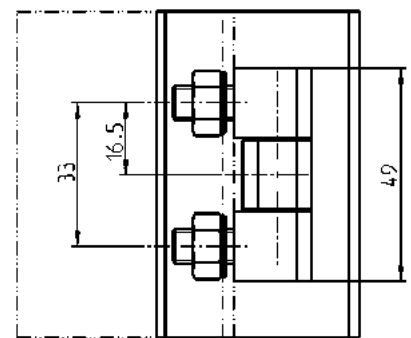
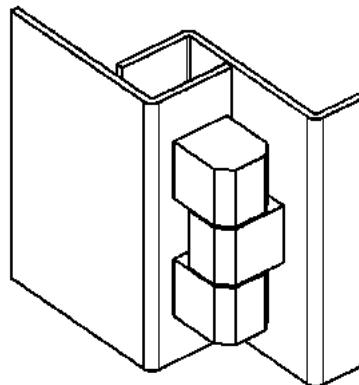
Screw-on hinge

AISI 303

1055-U6

AISI 316

1055-U8



Screw-on hinge

AISI 303

1039-U19

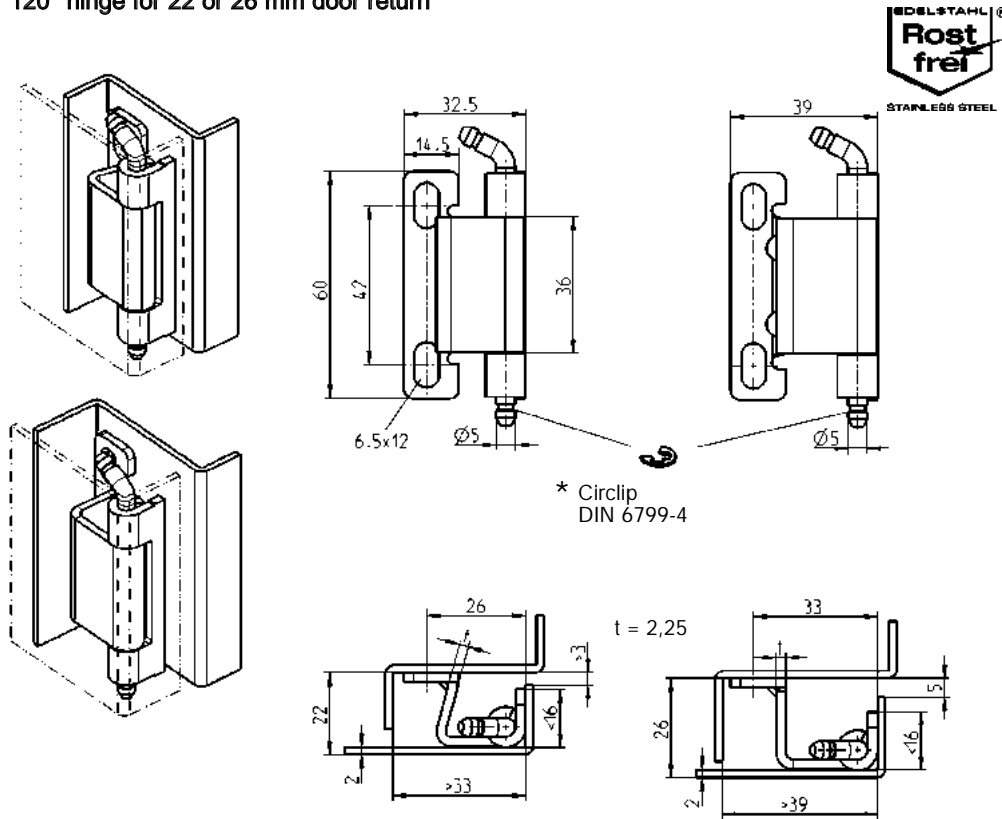
AISI 316

1039-U26

Hinge stainless steel

PROGRAM 1032, 1069

120° hinge for 22 or 26 mm door return



120° hinge AISI 304

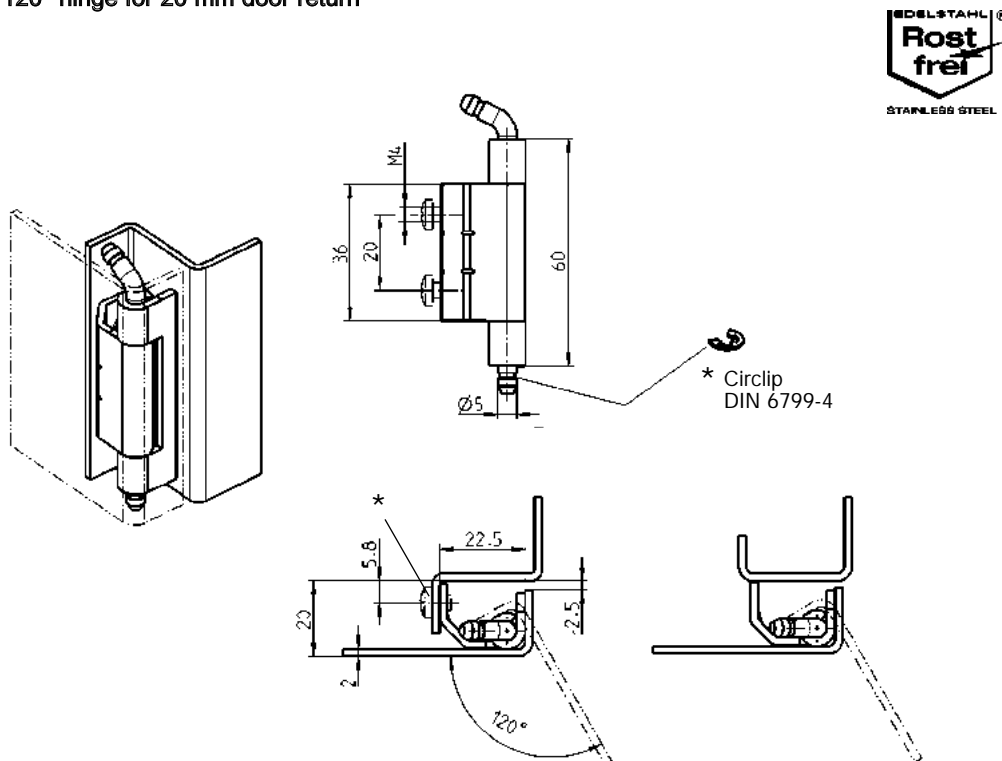
(Dim. 22)

1032-U2

(Dim. 26)

1031-U2

120° hinge for 20 mm door return



Hinge AISI 304

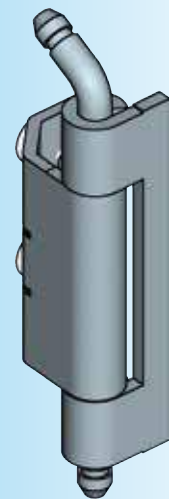
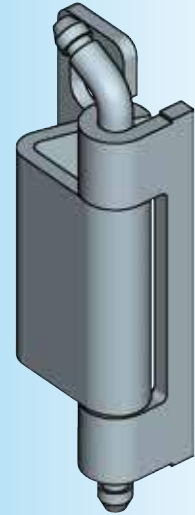
Screw-on

1069-U4

weld-on

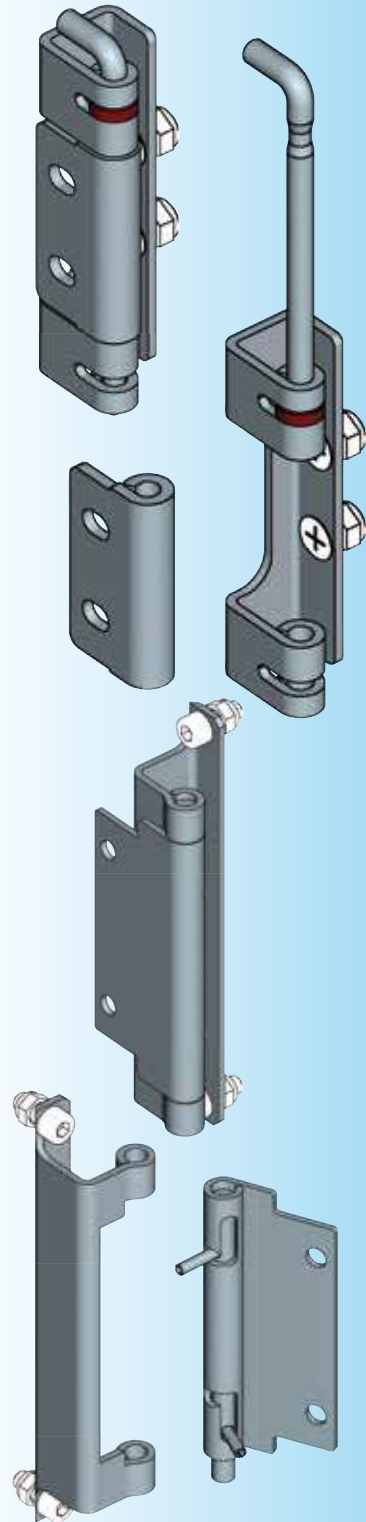
1069-U3

Beschlagteile



* not included

- Info
- 1 Quarter turns
- 2 Rod controls
- 3 Locking systems
- 4 Hinges
- 5 Gasketing
- 6 Handles
- 7 Aluminium windows
- 8 Stainless steel

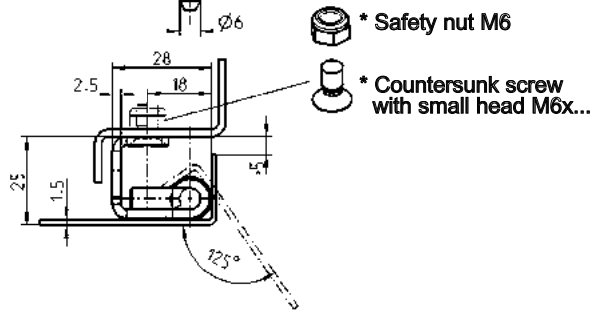
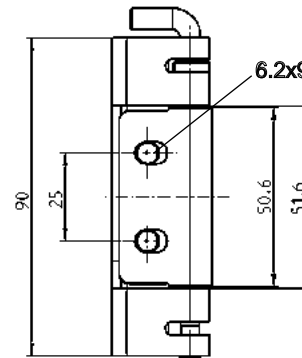
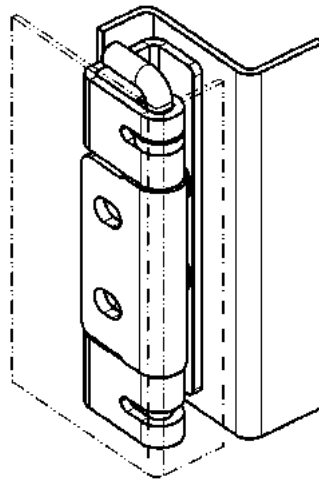


* not included

small head ≙ DIN ISO 2009, 2010, 7046-1, 7046-2, 7047



125° hinge for single cabinets for 25 mm door return

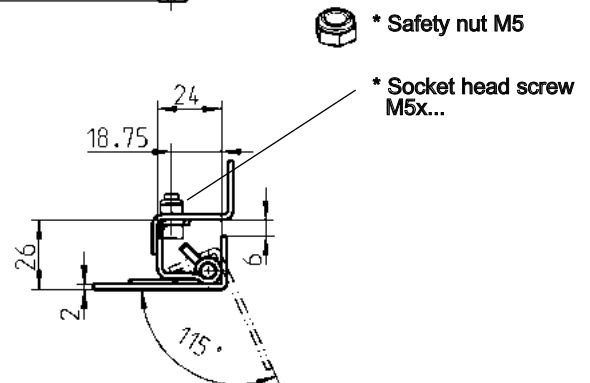
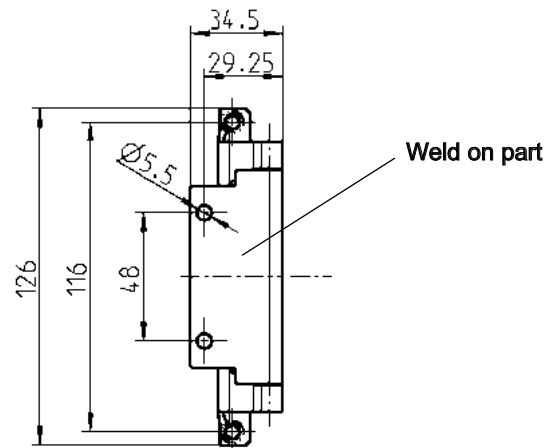
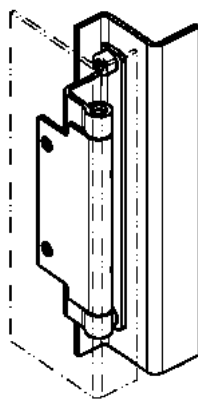


125° hinge AISI 304, shaft clamping ring POM red

1031-U13



115° hinge for single cabinets with 26 mm door return



115° hinge AISI 304

1031-U14

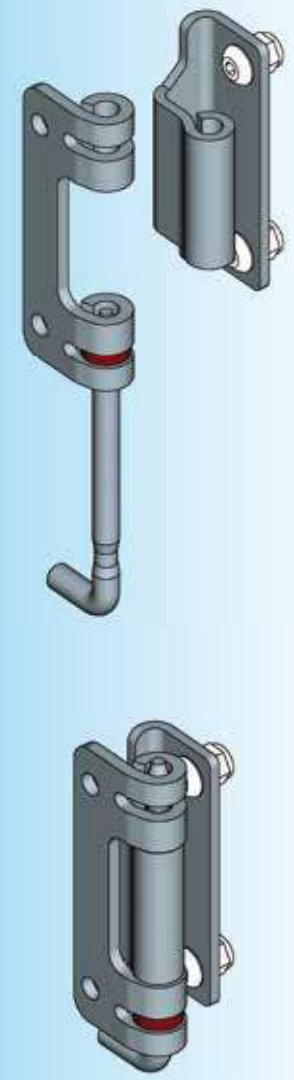
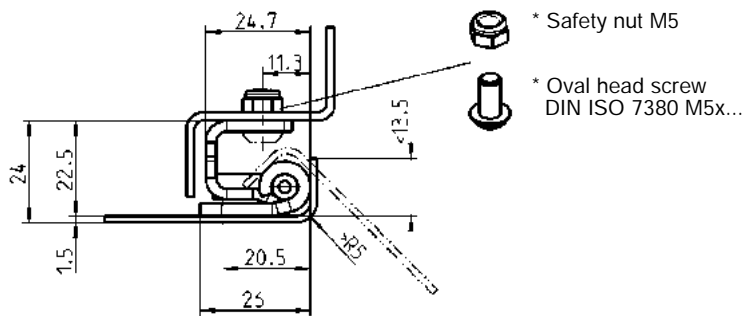
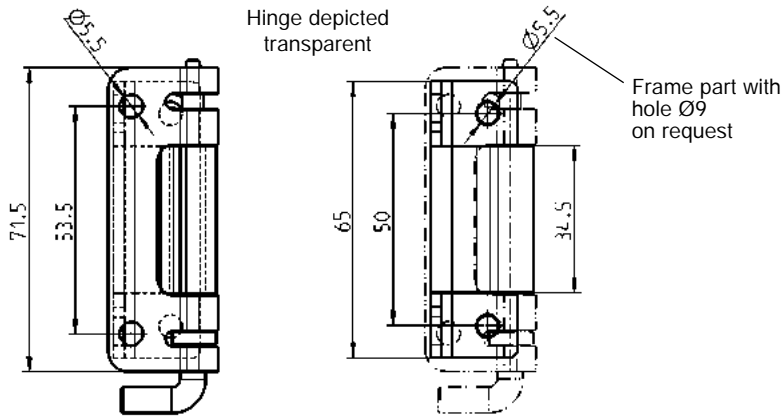
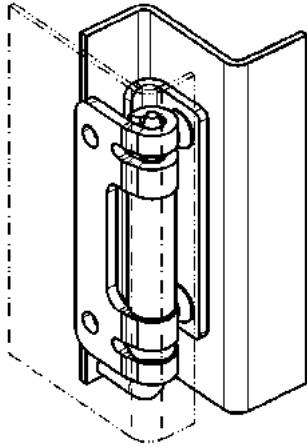
135° stainless steel hinge with captive pin

PROGRAM 1031

135° hinge for single cabinets for 24 mm door return



STAINLESS STEEL



* not included

135° hinge AISI 304; pin AISI 303; shaft clamping ring POM red

Fixing points according to common standards

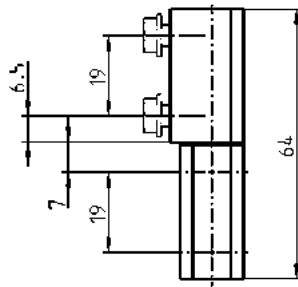
1031-U15

Screw-on hinge stainless steel

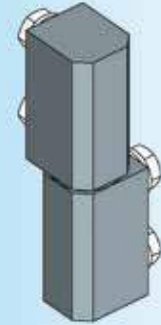
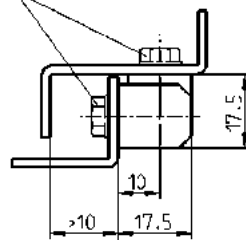
PROGRAM 1056, 1079

180° screw-on hinge

Beschlagteile



* M5x8 with washer



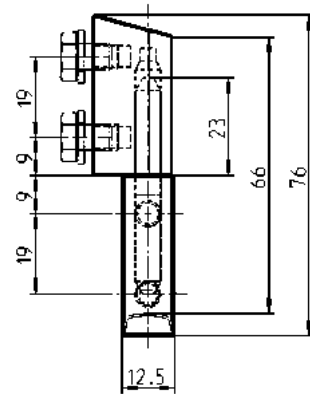
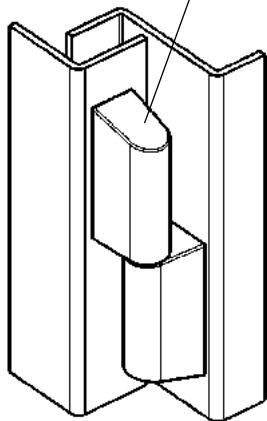
180° screw-on hinge AISI 316

1056-U34-PH

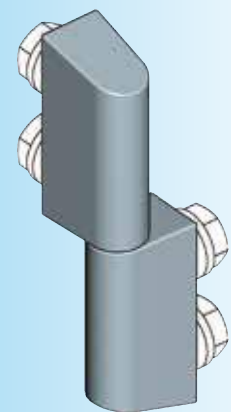
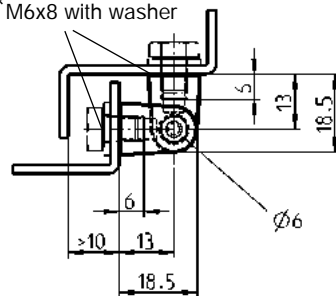
180° screw-on hinge



Chamfered ends preventing the accumulation of dirt



* M6x8 with washer

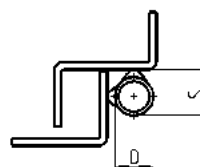
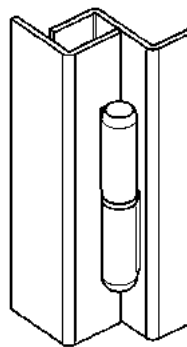


180° screw-on hinge AISI 316

1079-U5-PH

* not included

- Info
- 1 Quarter turns
- 2 Rod controls
- 3 Locking systems
- 4 Hinges
- 5 Gasketing
- 6 Handles
- 7 Aluminium windows
- 8 Stainless steel



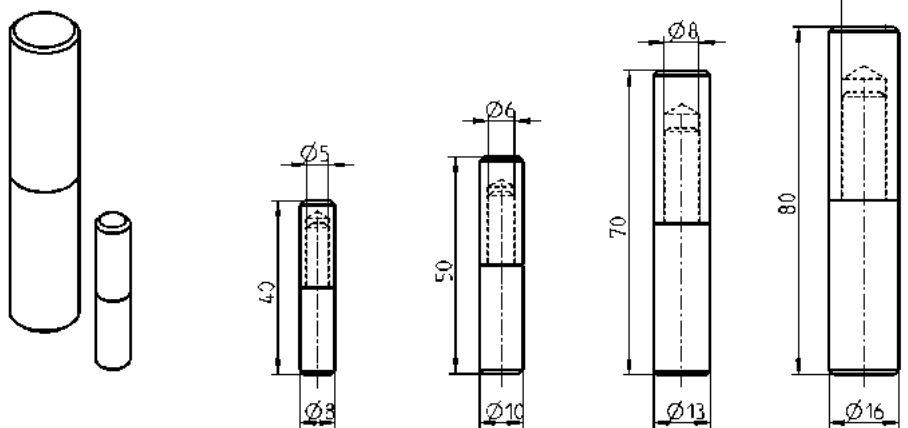
Version, with fixed hinge pin AISI 304

L	D	d	S	
60	10	6	12,0	1033-U70
80	13	8	15,5	1033-U71
100	16	10	20,0	1033-U72
120	16	11	20,0	1033-U73
150	20	13	25,0	1033-U74
180	20	14	25,0	1033-U75

Hinge stainless steel

PROGRAM 1033, 1110

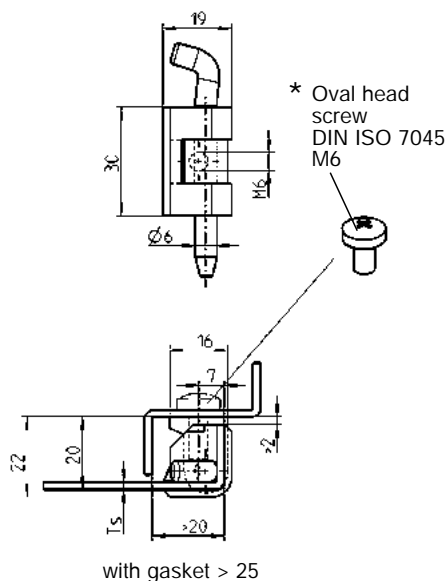
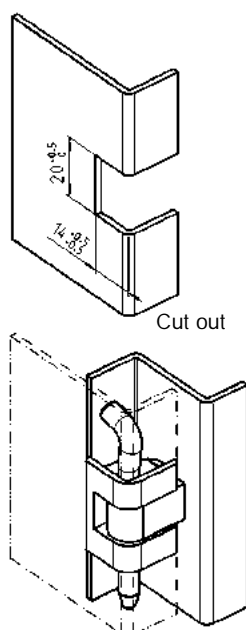
Weld-on hinge



Hinge weld-on

AISI 304	1033-U45	1033-U46	1033-U47	1033-U48
AISI 316	1033-U49	1033-U50	1033-U51	1033-U52

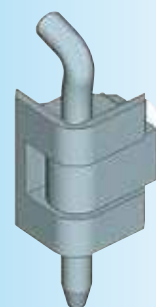
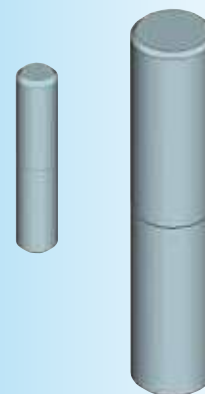
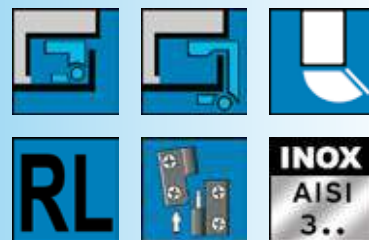
180° hinge for single cabinets with 20 mm door return



180° hinge AISI 316, pin AISI 303

Ts=	0,8 - 1,0	1110-U51
	1,5 - 2,0	1110-U50

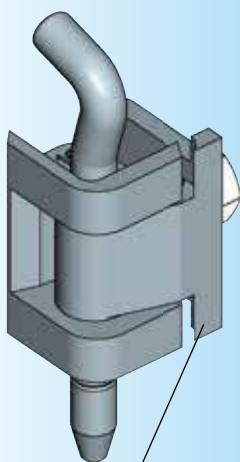
Beschlagteile



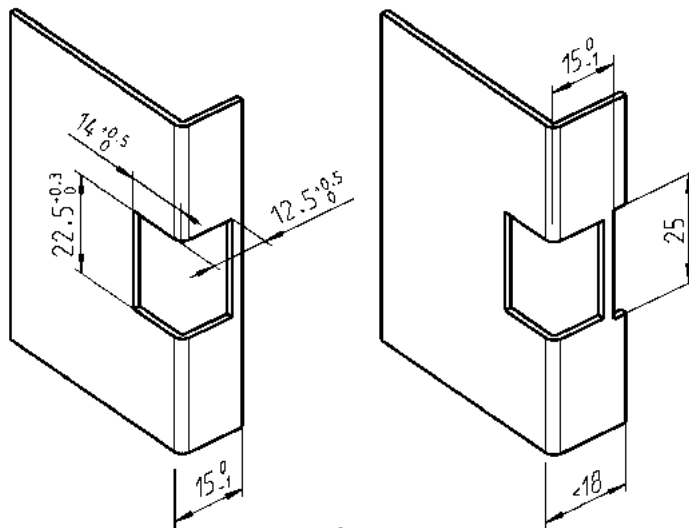
* not included



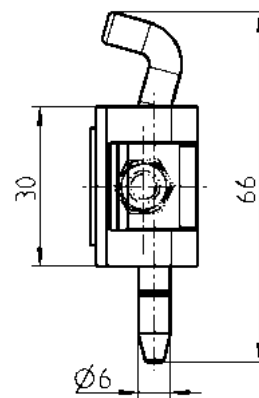
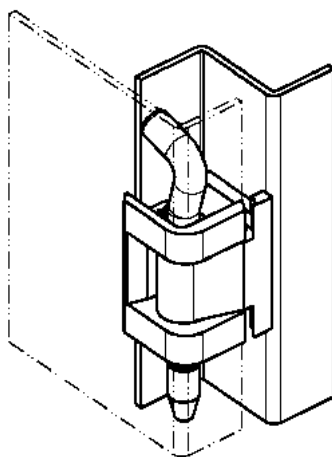
180° hinge for single cabinets with 20 mm door return



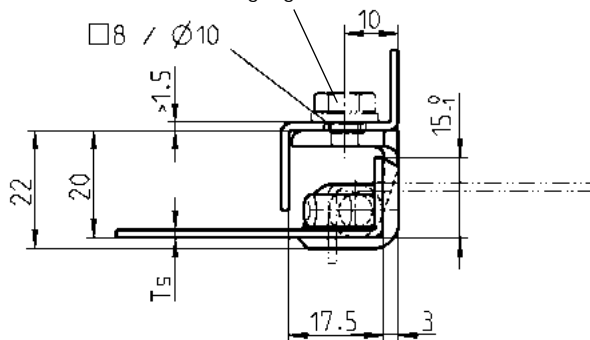
Frame part with M6-thread and centering bolt



Cut out as requested



* Washer DIN ISO 7089 - 6 and hexagon screw DIN ISO 4017 M6 x 6 for metal gauge 1.5



* not included

180° hinge AISI 316, pin AISI 303

for Ts 1.5

1110-U131

for Ts 2.0

1110-U132

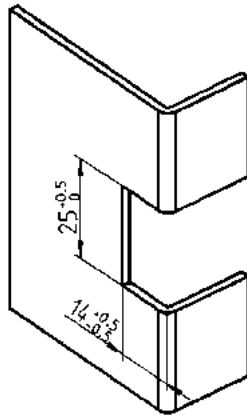
180° hinge stainless steel

PROGRAM 1110

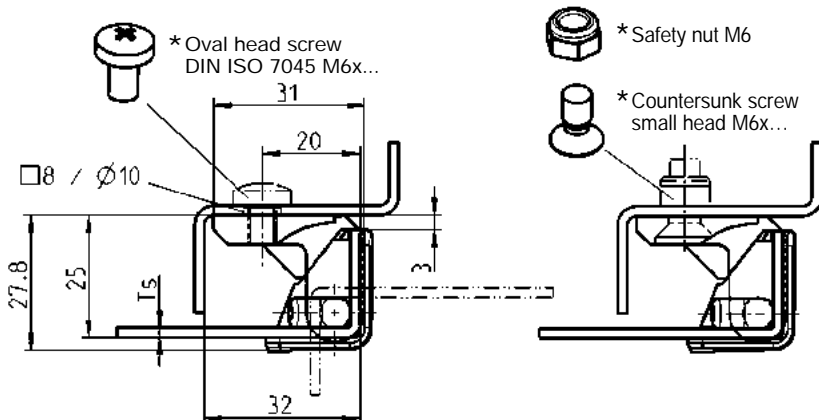
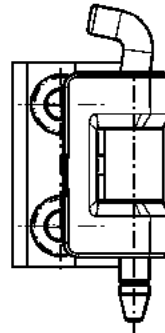
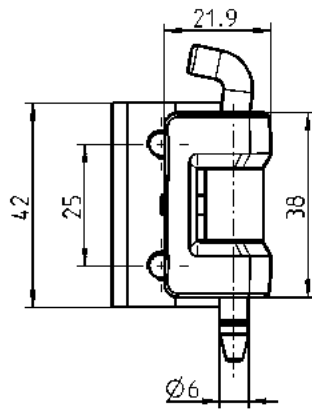
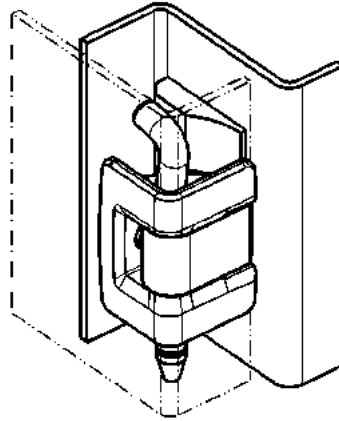
180° hinge for single cabinets for 25 mm door return



STAINLESS STEEL



Cut out



* not included

small head = DIN ISO 2009, 2010, 7046-1, 7046-2, 7047

Further parts see page
– 2D-nut

12E-120

180° hinge AISI 316; pin AISI 303

	Ts 0.8 - 1.0	Ts 1.5 - 2.0
Locking screw M6	1110-U134	1110-U135
Countersunk screw M6 (2D-nut possible)	1110-U136	1110-U137

Info

Quarter turns

1

Notes:

2

Rod controls

3

Locking systems

4

Hinges

5

Gasketing

6

Handles

7

Aluminium windows

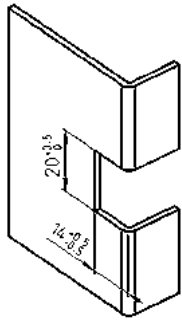
8

Stainless steel

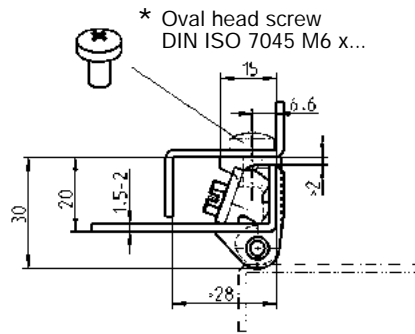
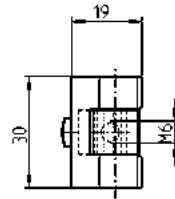
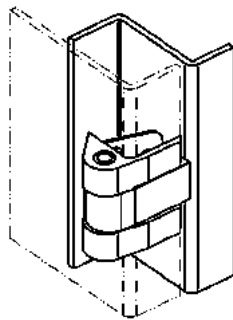
180° hinge stainless steel

PROGRAM 1110

180° hinge for in-line cabinets with adjacent door for 20 mm door return



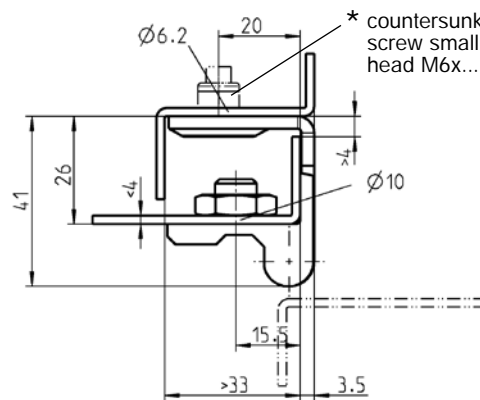
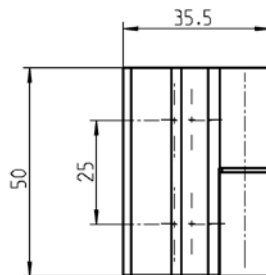
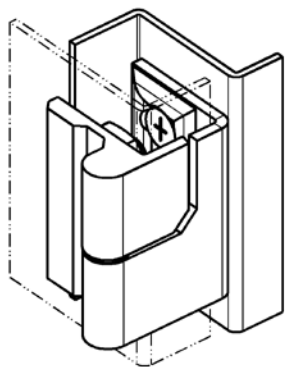
Cut out



180° hinge AISI 316; pin AISI 304; screw AISI 303

1110-U5-NPH

180° hinge for in-line cabinets with adjacent door for 26 mm door return



180° hinge AISI 316

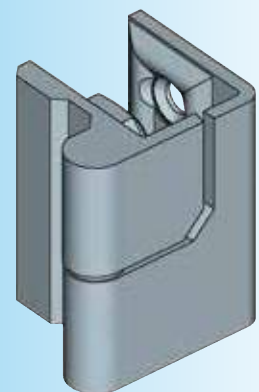
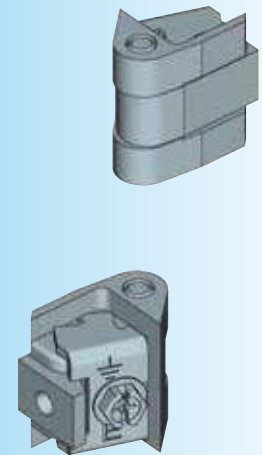
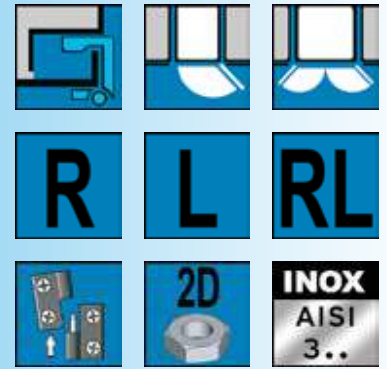
LH (2D-nut possible)

1110-U120-PH

RH (2D-nut possible)

1110-U121-PH

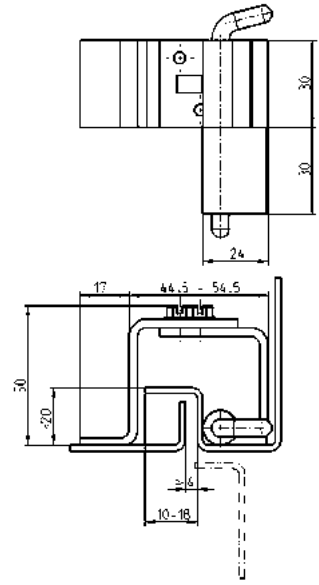
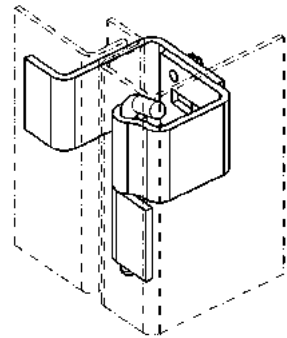
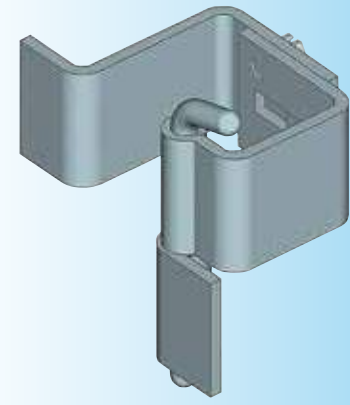
© EMKA Beschlagteile GmbH & Co. KG • 2018 • www.emka.com



small head = DIN ISO 2009, 2010, 7046-1, 7046-2, 7047

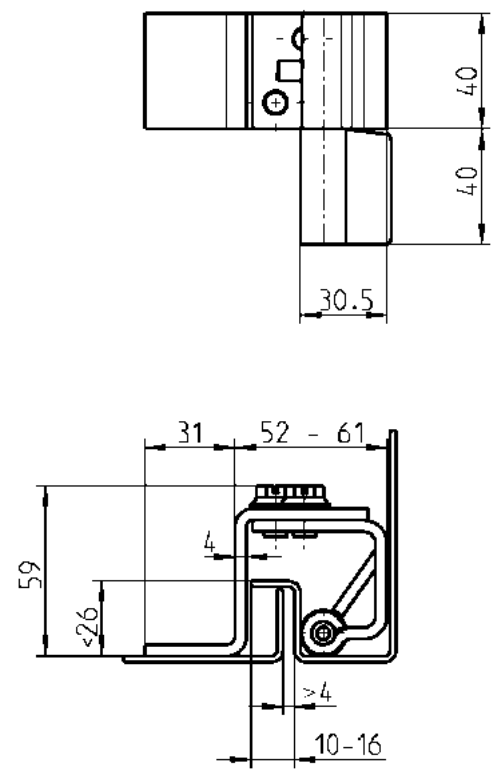
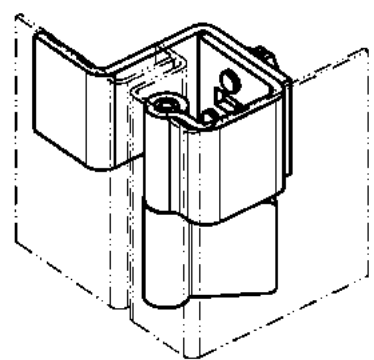
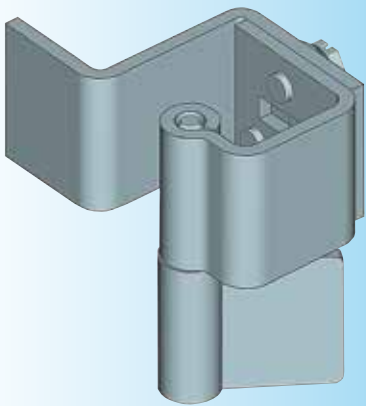
* not included

- Info
- 1 Quarter turns
- 2 Rod controls
- 3 Locking systems
- 4 Hinges
- 5 Gasketing
- 6 Handles
- 7 Aluminium windows
- 8 Stainless steel



Concealed hinge AISI 304 and AISI 303

1006-U1-PC



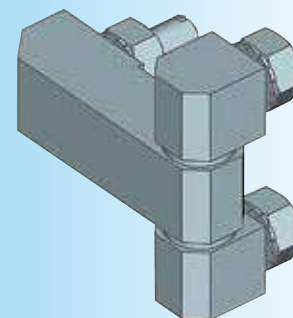
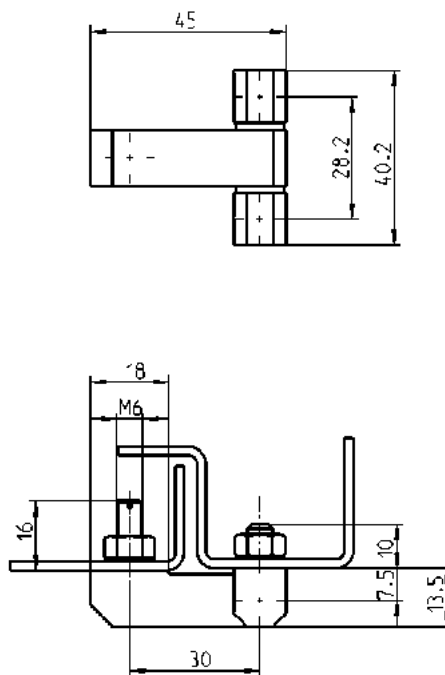
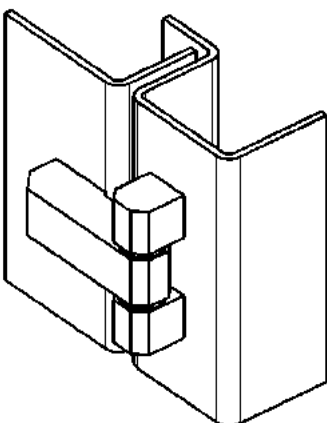
Concealed hinge AISI 304 and AISI 303

1046-U5

Screw-on hinge stainless steel

PROGRAM 1039, 1055

Beschlagteile



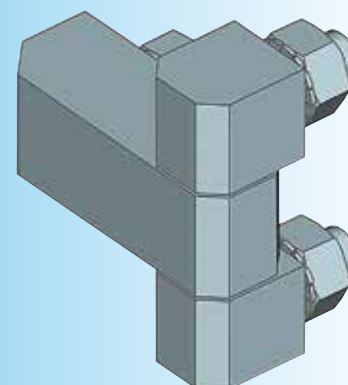
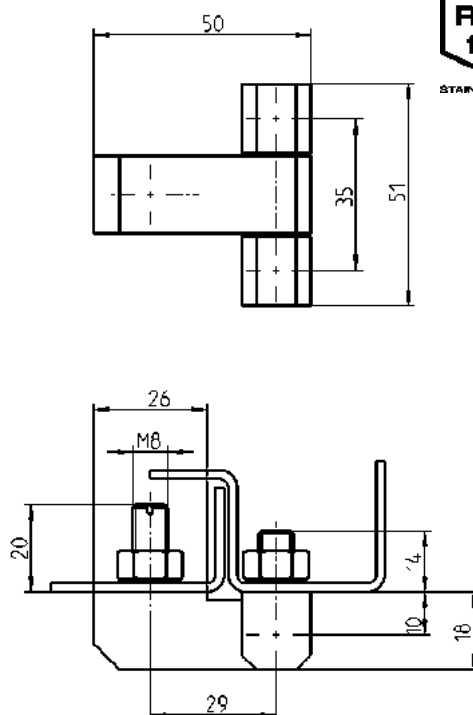
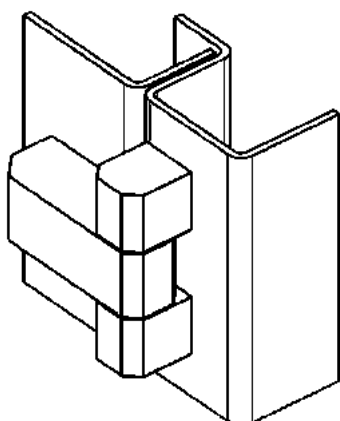
Screw-on hinge

AISI 303

1055-U7

AISI 316

1055-U9



Screw-on hinge

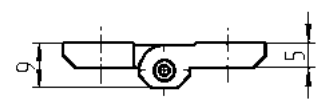
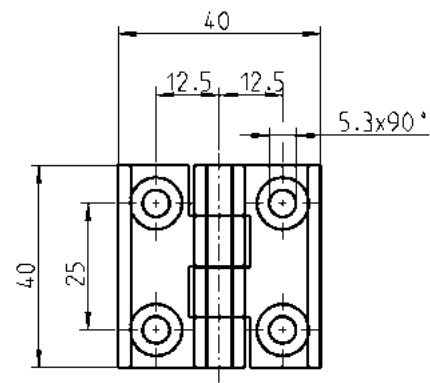
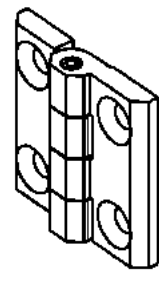
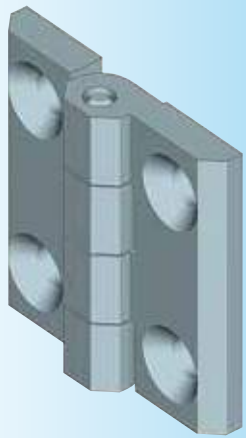
AISI 303

1039-U18

AISI 316

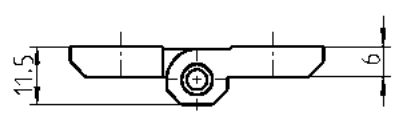
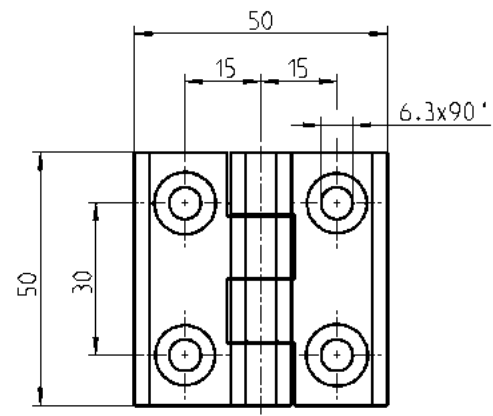
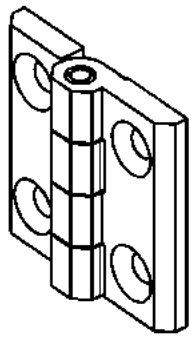
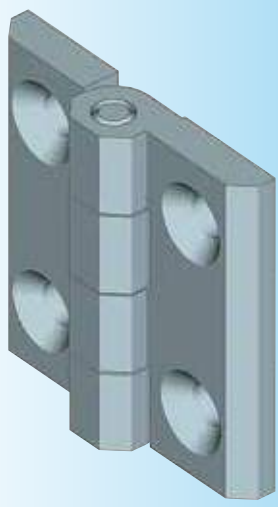
1039-U25

- Info
- 1 Quarter turns
- 2 Rod controls
- 3 Locking systems
- 4 Hinges
- 5 Gasketing
- 6 Handles
- 7 Aluminium windows
- 8 Stainless steel



Screw-on hinge AISI 316 for countersunk screw M5

1056-U5-PH

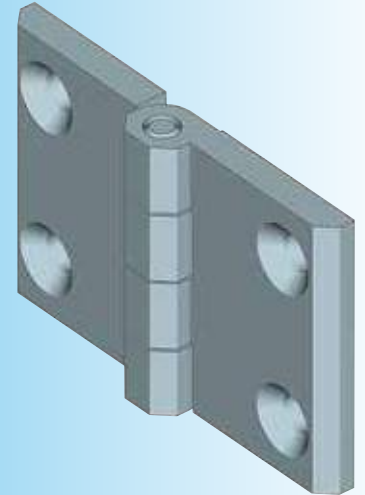
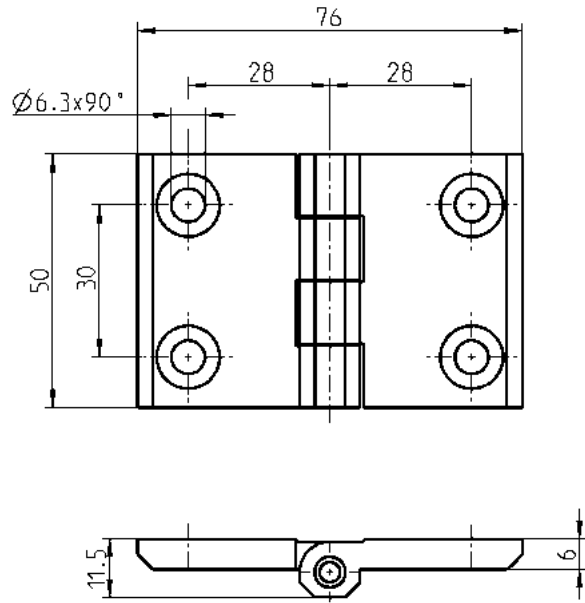
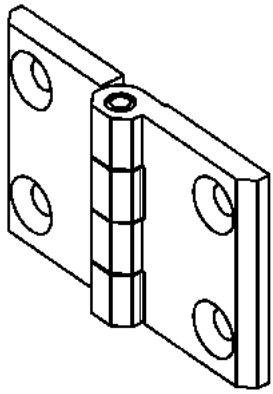


Screw-on hinge AISI 316 for countersunk screw M6

(2D-nut possible)

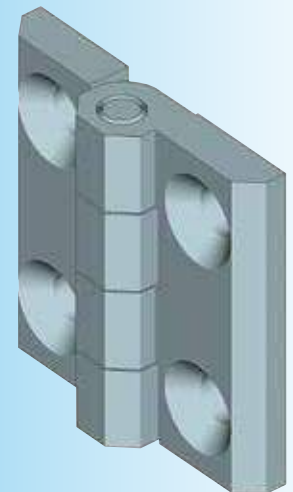
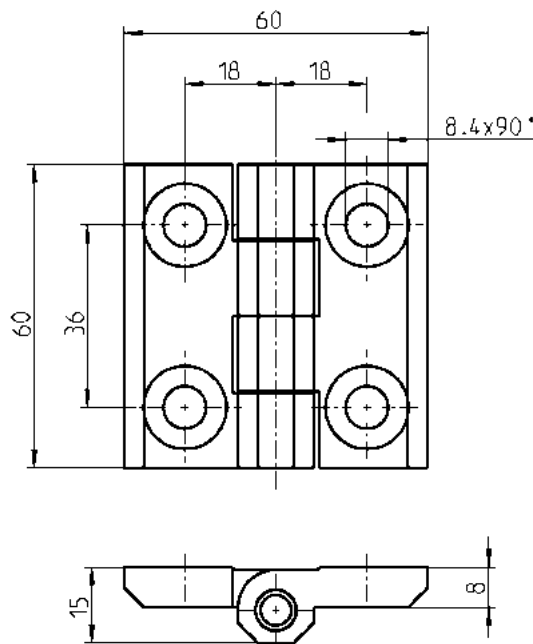
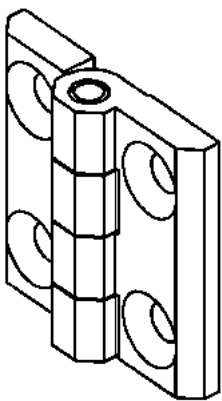
1056-U9-PH

Stainless steel 180° and 270° screw-on hinge PROGRAM 1056



270° Anschraubcharnier AISI 316 für Senkschraube M6
(2D-nut possible)

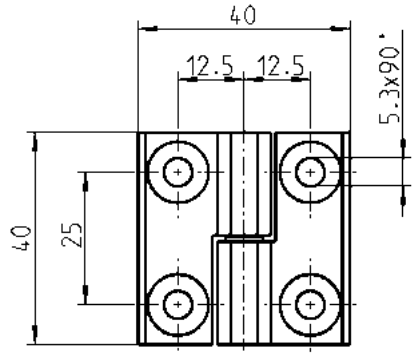
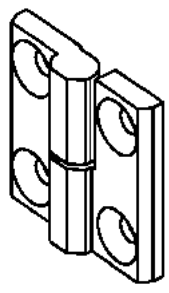
1056-U17-PH



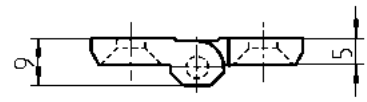
180° screw-on hinge AISI 316 for countersunk screw M8

1056-U13-PH

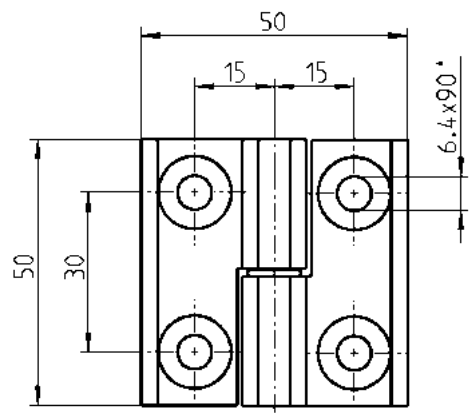
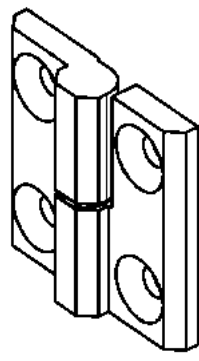
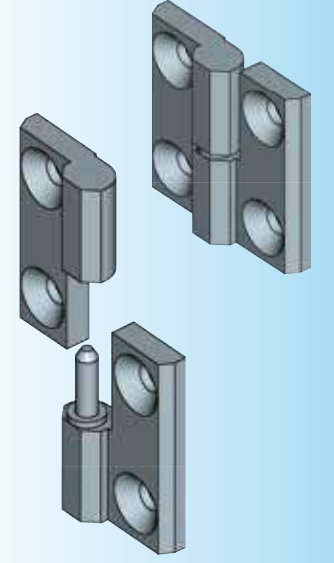
- Info
- 1 Quarter turns
- 2 Rod controls
- 3 Locking systems
- 4 Hinges
- 5 Gasketing
- 6 Handles
- 7 Aluminium windows
- 8 Stainless steel



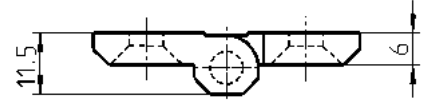
Right-hand version shown
Left-hand version is a mirror-image



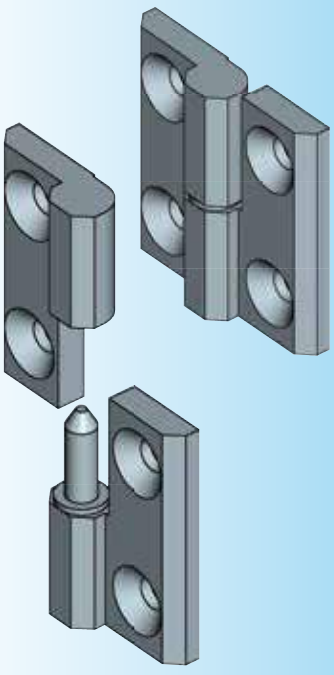
Screw-on hinge AISI 316, washer and pin stainless steel, for countersunk screw M5	
LH version	1056-U54-PH
RH version	1056-U53-PH



Right-hand version shown
Left-hand version is a mirror-image



Screw-on hinge AISI 316, washer and pin stainless steel, for countersunk screw M6 (2D-nut possible)	
LH version	1056-U56-PH
RH version	1056-U55-PH

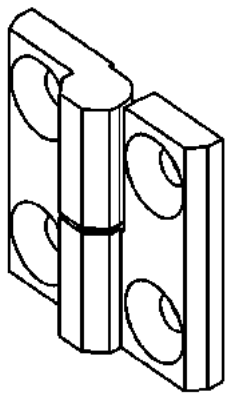


Further parts see page
- 2D-nut 12E-120

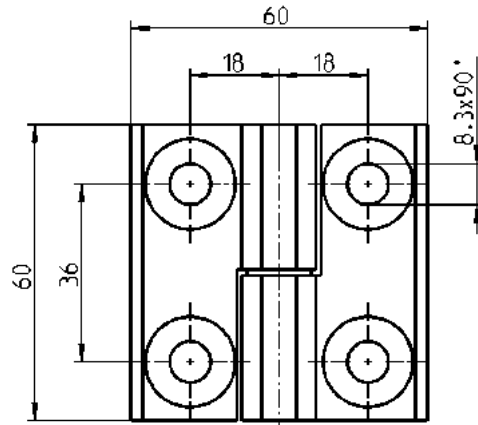
Stainless steel - 180° screw-on hinge

PROGRAM 1056

Beschlagteile

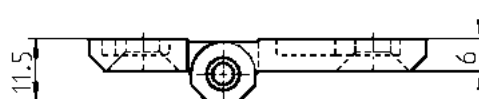
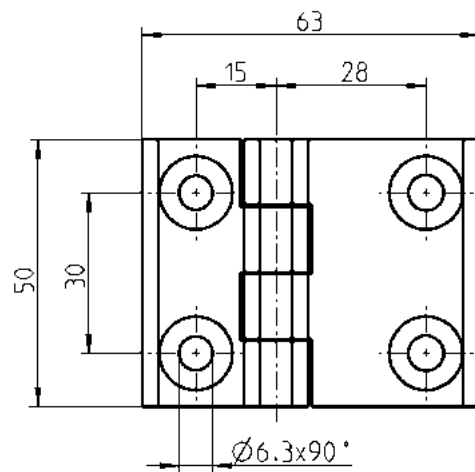
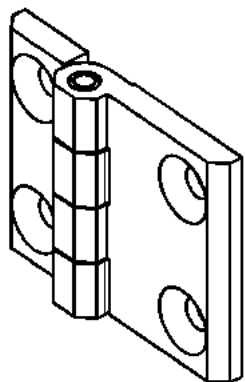


Right-hand version shown
Left-hand version is a mirror-image



Screw-on hinge AISI 316, washer and pin stainless steel, for countersunk screw M8

LH version	1056-U58-PH
RH version	1056-U57-PH



Screw-on hinge AISI 316, pin stainless steel, for countersunk screw M6

(2D-nut possible)	1056-U59-PH
-------------------	-------------

Further parts see page
- 2D-nut

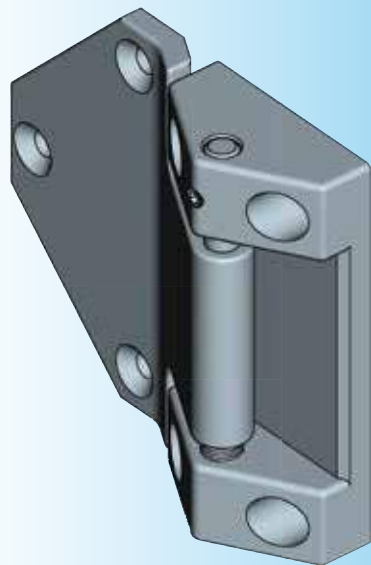
12E-120



RL

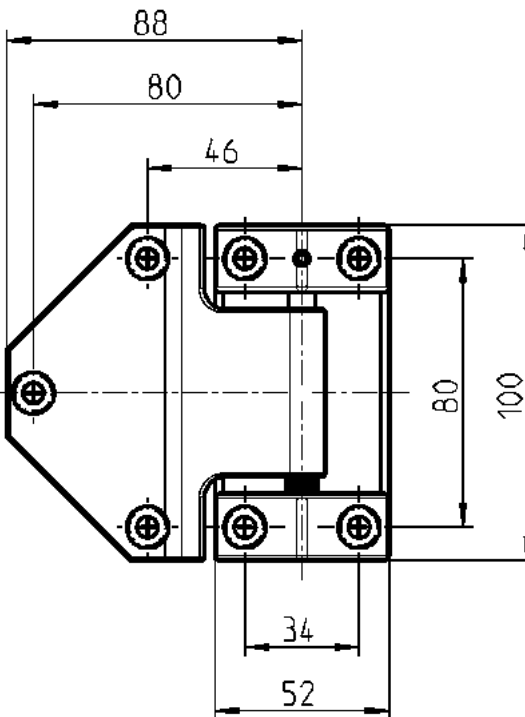
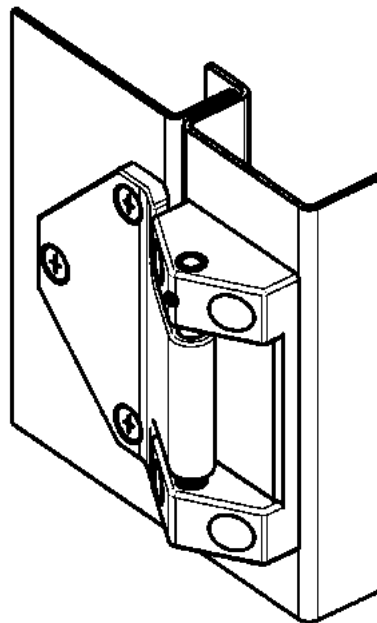


STAINLESS STEEL

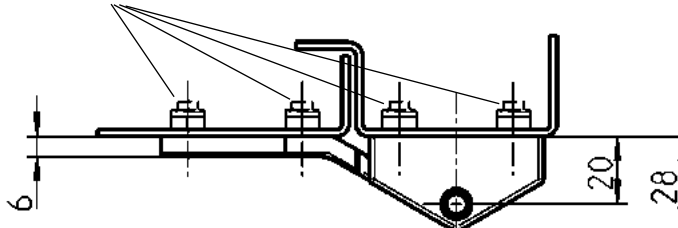


Height adjustment ± 4 mm

RH or LH version by turning around the door part



* Countersunk screw small head M6x...



* not included

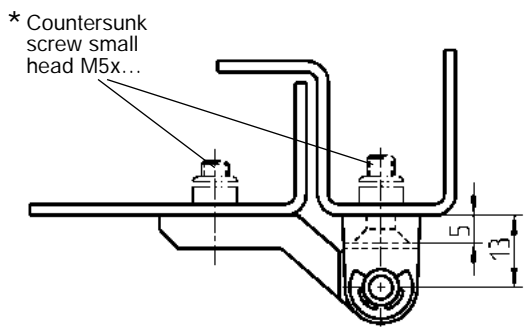
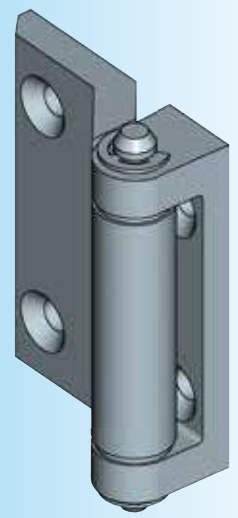
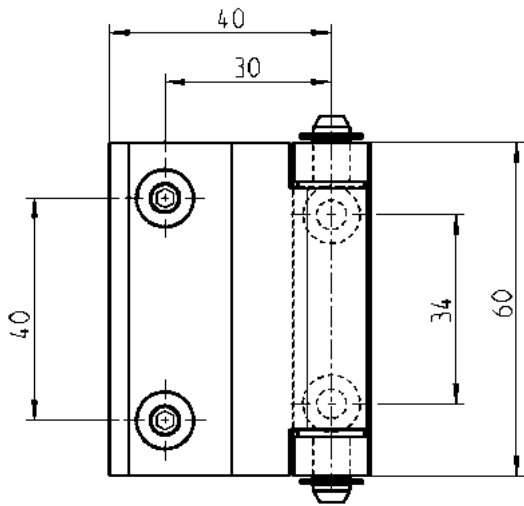
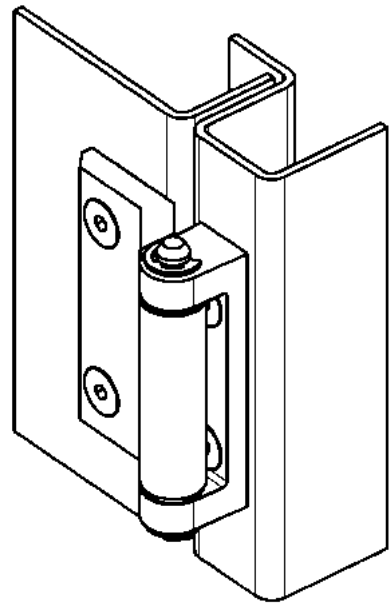
small head \equiv DIN ISO 2009, 2010, 7046-1, 7046-2, 7047

Screw-on hinge adjustable stainless steel 1.4571; washer and hinge pin

1054-U39

Stainless steel - 180° screw-on hinge PROGRAM 1054

Beschlagteile



* not included

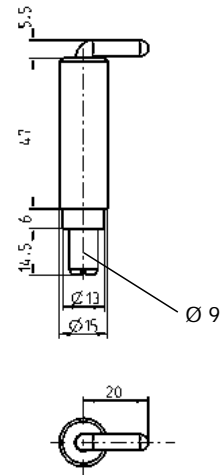
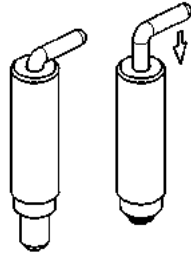
small head = DIN ISO 2009, 2010, 7046-1, 7046-2, 7047

Screw on hinge AISI 316, bushes polyamide

1054-U5-PH



Spring loaded

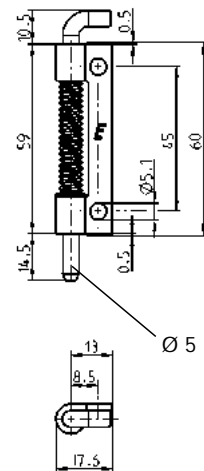
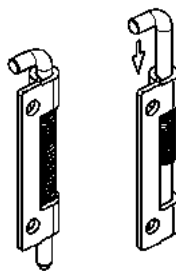


Pin hinge AISI 304, pin AISI 303, spring stainless steel

1117-U1-PF



Spring loaded



Pin hinge AISI 304, pin AISI 303, spring stainless steel

RH

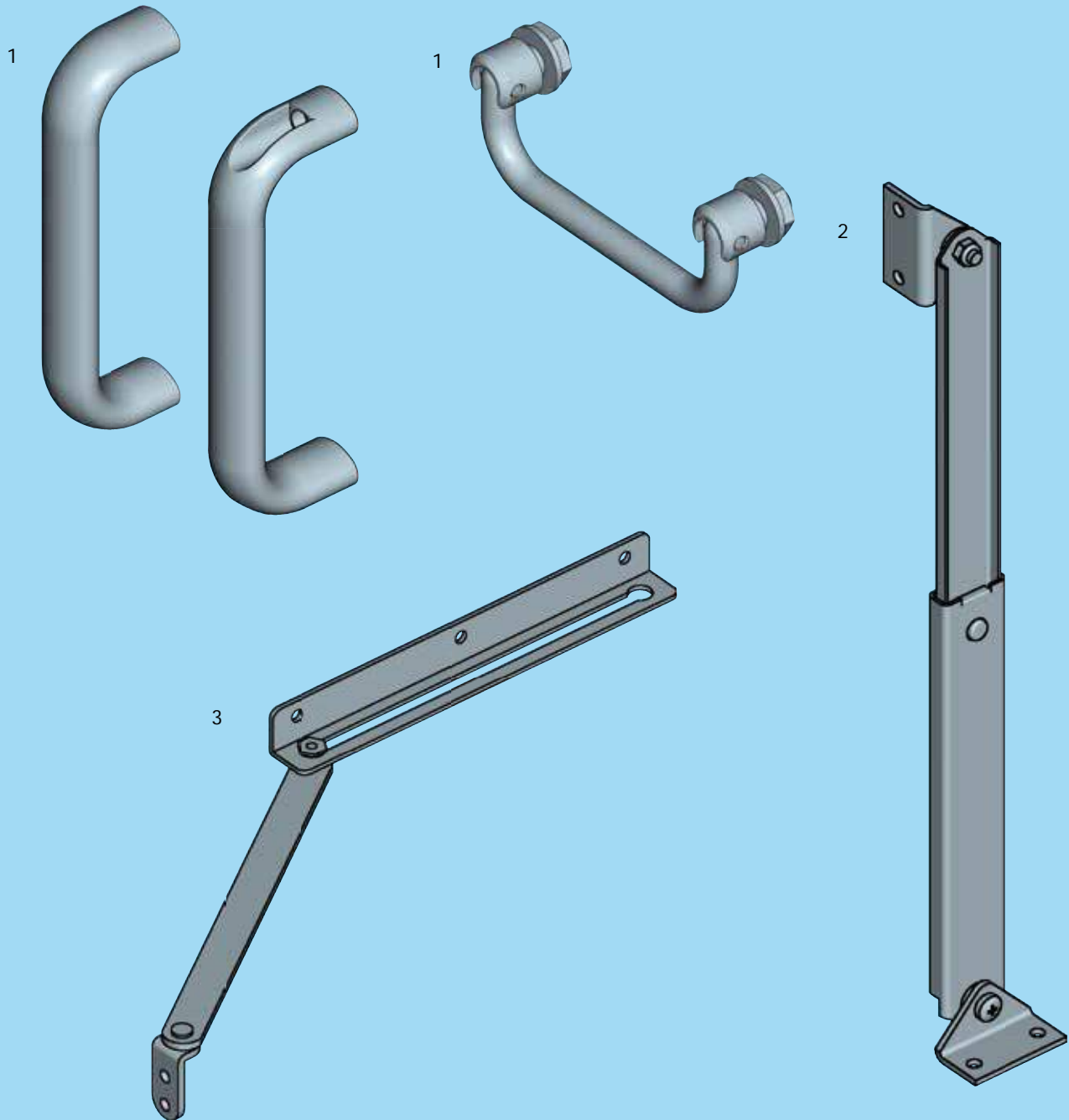
1117-U4-PC

LH

1117-U5-PC

Stainless steel program

Miscellaneous



- | | | |
|---|-----------------------|--------|
| 1 | Handles | 8C-320 |
| 2 | Telescopic cover stay | 8C-520 |
| 3 | Door stop | 8C-540 |

8C-100

Info

1 Quarter turns

2 Rod controls

3 Locking systems

4 Hinges

5 Gasketing

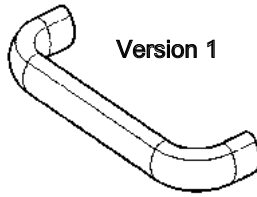
6 Handles

7 Aluminium windows

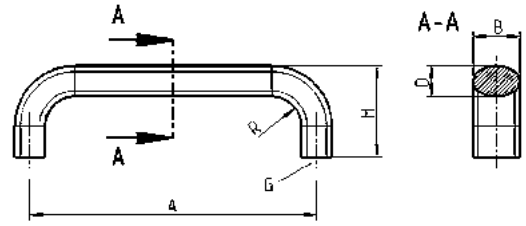
8 Stainless steel



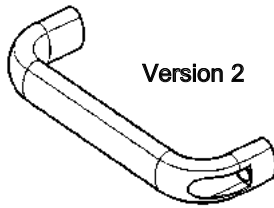
Version 1



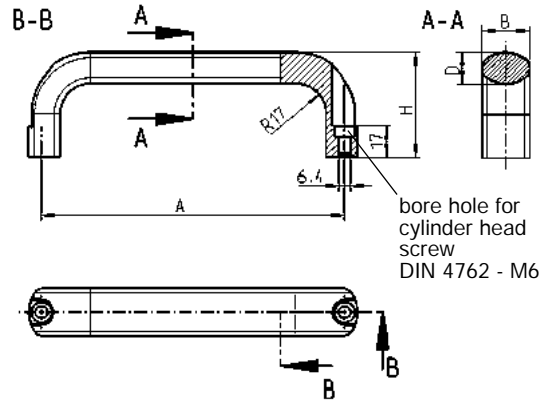
Version 1



Version 2



Version 2



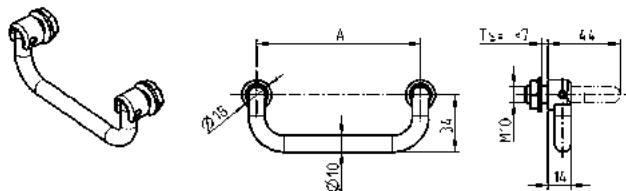
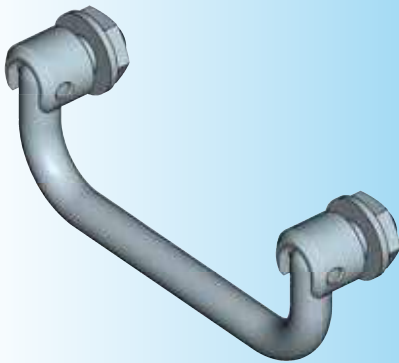
Bow-type handle AISI

Version 1

A	B	D	G	H	R	AISI 304
112	20	13	M6x10	49	13	1095-26-112PC
128	20	13	M6x10	51	13	1095-26-128PC

Version 2

A	B	D	H	AISI 316
116	26	17	53	1095-28-116PH



Folding handle AISI 303, fixing material AISI 303

A	
100	1095-U32-100PF
120	1095-U32-120PF
180	1095-U32-180PF

Fixing material is not included in delivery.

Stainless steel telescopic cover stay with push button for unlocking

PROGRAM 1097

EMKA

®

Info

1 Quarter turns

2 Rod controls

3 Locking systems

4 Hinges

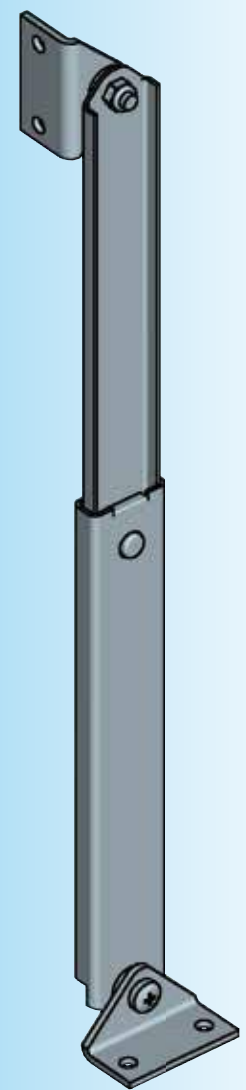
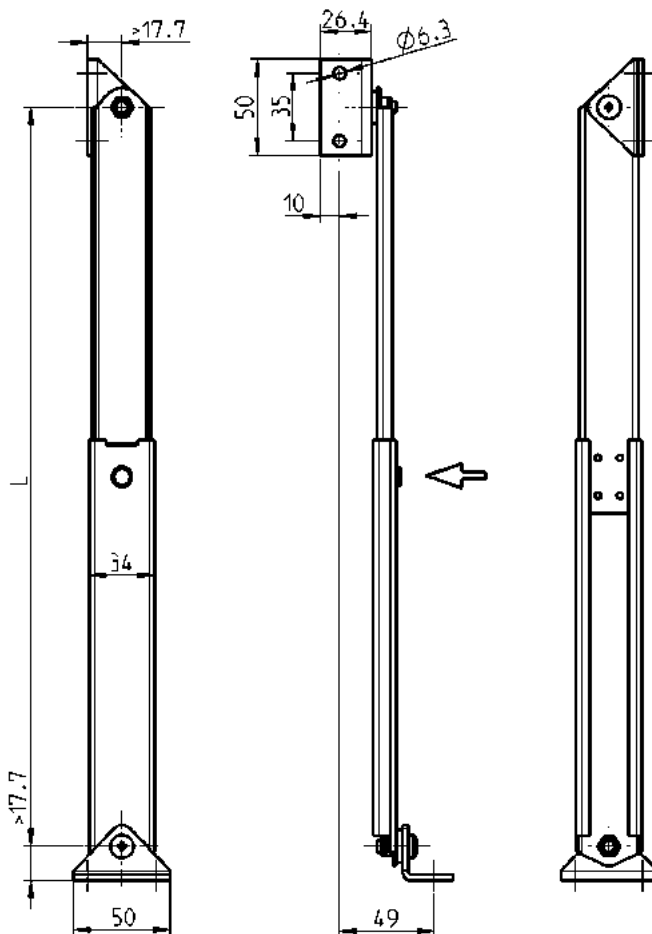
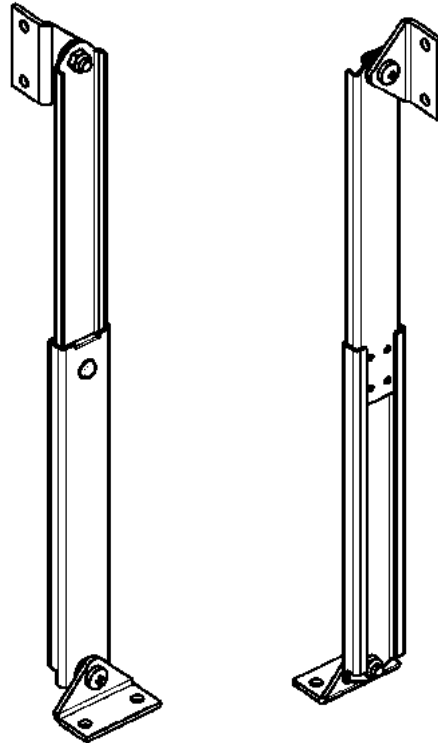
5 Gasketing

6 Handles

7 Aluminium windows

8 Stainless steel

Beschlagteile



Telescopic cover stay AISI 304, push button AISI 303

	retracted	extended	
Dimension L	213	382	1097-U5-PC

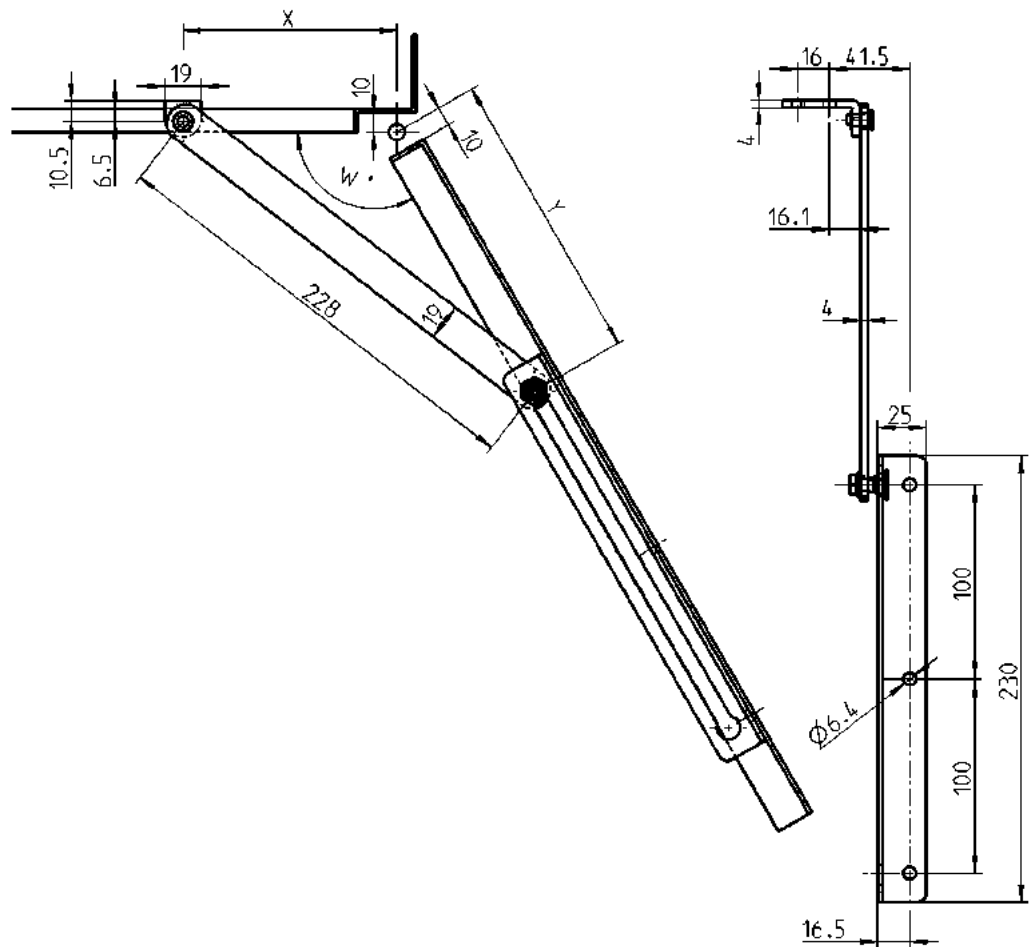
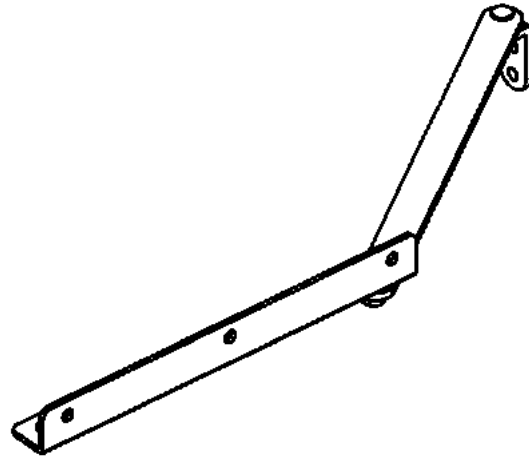
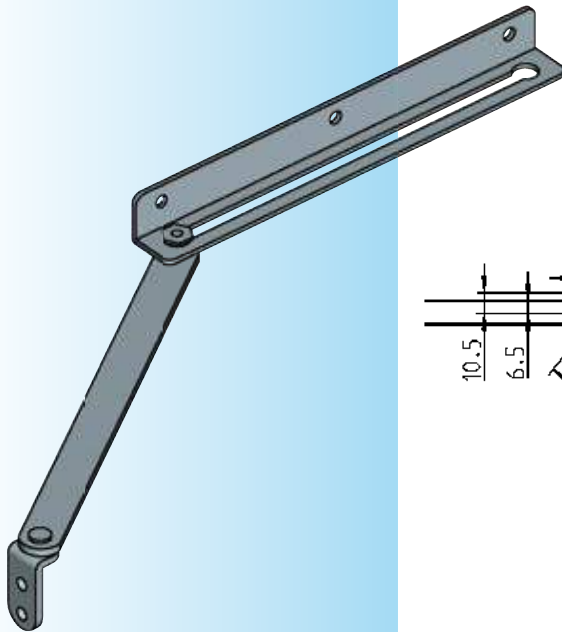
Further parts see page

- Hinge
- 2D-nut

chapter 8B
12E-120



STAINLESS STEEL



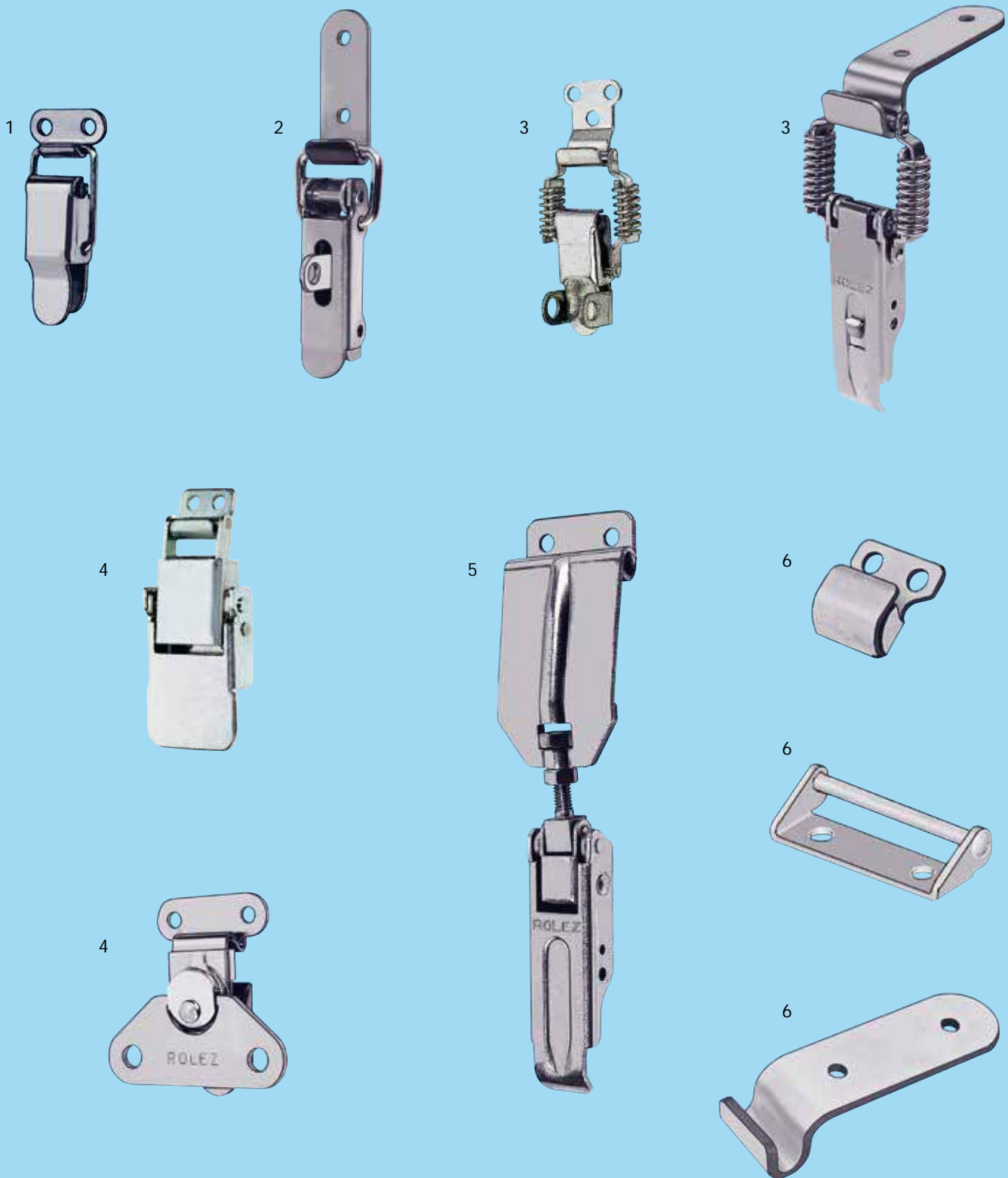
W	X	Y	minimal door width
90°	140	180	403
105°	120	166	389
120°	110	150	373
135°	100	146	369
in case of other variations $y = x + >40$			

Further parts see page
 – Hinge chapter 8B
 – 2D-nut 12E-120

Door stop AISI 304, locking bush and rivet AISI 303

1087-U1-PC

Toggle latch and hook Program 6000



- | | | |
|---|----------------------------|------------------|
| 1 | Wire toggle latch | 9A-120 |
| 2 | Rigid wire toggle latch | 9A-160 |
| 3 | Spring loaded toggle latch | 9A-220 to 9A-240 |
| 4 | Special toggle latch | 9A-260, 9A-280 |
| 5 | Adjustable toggle latch | 9A-320 |
| 6 | Catch plate | 9A-520 to 9A-660 |

Surface with steel parts:
zinc plated, thick-film passivated (DS)
and Top Coat sealed.

9A-100

INOX
AISI
3..



Further parts see page
possible catch plates
6010-01-xxx
6010-11-xxx
6010-08-xxx

9A-520
9A-540
9A-620



Further parts see page
possible catch plates
6010-02-xxx
6010-03-xxx
6010-09-xxx

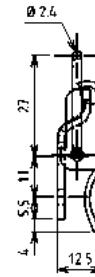
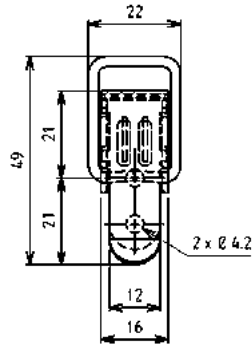
9A-520
9A-520
9A-620



Further parts see page
possible catch plates
6010-02-xxx
6010-09-xxx

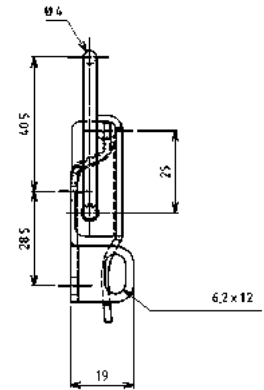
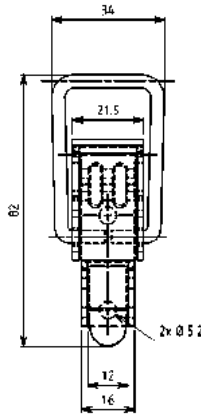
9A-520
9A-620

Edelstahl
Rost frei
STAINLESS STEEL



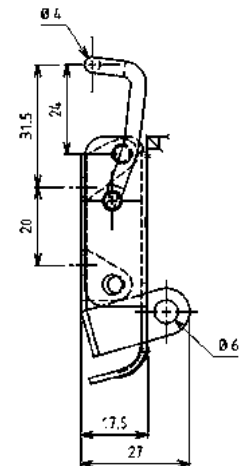
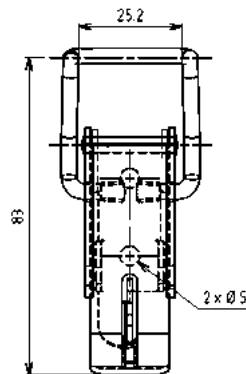
Toggle latch	Without padlock-facility	With padlock-facility
Raw steel drilled	6000-U42-KA	6000-U43-KA
Raw steel undrilled	6000-U42-01KA	6000-U43-01KA
Zinc plated steel DS plus Top Coat drilled	6000-U42-JQ	6000-U43-JQ
AISI 304 drilled	6000-U42-PC	6000-U43-PC
AISI 304, undrilled	6000-U42-01PC	6000-U43-01PC

Edelstahl
Rost frei
STAINLESS STEEL



Toggle latch	Without padlock-facility	With padlock-facility
Raw steel drilled	6000-U44-KA	6000-U45-KA
Raw steel undrilled	6000-U44-01KA	6000-U45-01KA
Zinc plated steel DS plus Top Coat drilled	6000-U44-JQ	6000-U45-JQ
AISI 304 drilled	6000-U44-PC	6000-U45-PC
AISI 304, undrilled	6000-U44-01PC	6000-U45-01PC

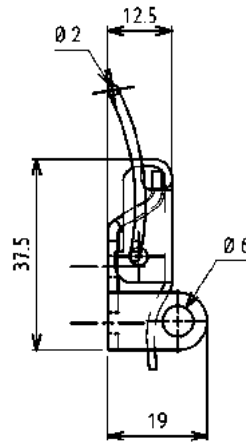
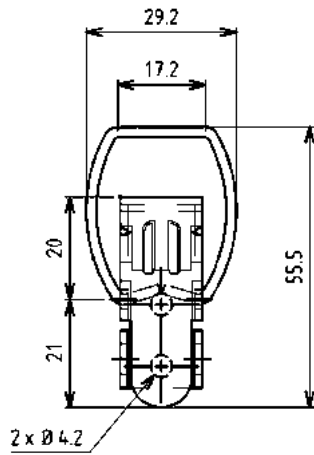
Edelstahl
Rost frei
STAINLESS STEEL



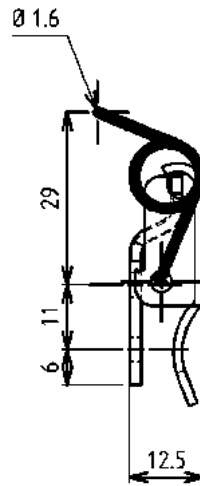
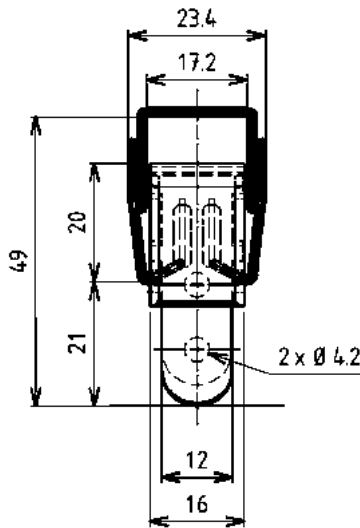
Toggle latch	Without padlock-facility	With padlock-facility
Zinc plated steel DS plus Top Coat drilled	6000-U135-JQ	6000-U635-JQ
AISI 304 drilled	6000-U135-PC	6000-U635-PC

Flexible wire toggle latches

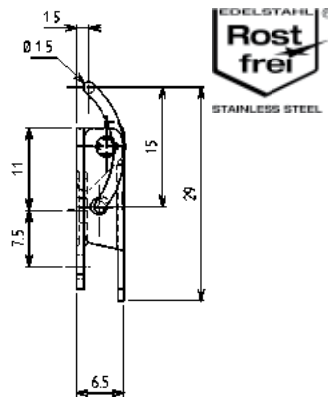
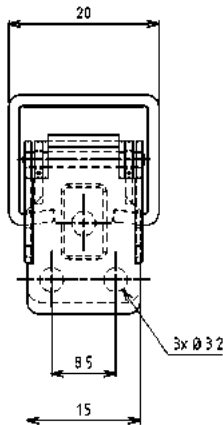
PROGRAM 6000



Toggle latch	Without padlock-facility	With padlock-facility
Zinc plated steel DS plus Top Coat drilled	6001-U32-JQ	6001-U33-JQ



Toggle latch	Without padlock-facility
Zinc plated steel DS plus Top Coat drilled	6001-U36-JQ



Toggle latch	Without padlock-facility
Raw steel drilled	6001-U139-KA
Zinc plated steel DS plus Top Coat drilled	6001-U139-JQ
AISI 304 drilled	6001-U139-PC

INOX
AISI
3..



Further parts see page
possible catch plates
6010-01-xxx
6010-11-xxx
6010-08-xxx

9A-520
9A-540
9A-620



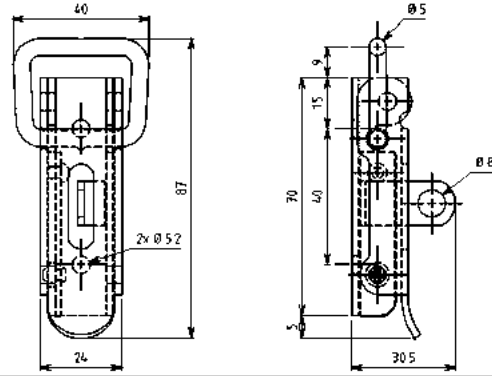
Further parts see page
possible catch plates
6010-01-xxx
6010-11-xxx
6010-08-xxx

9A-520
9A-540
9A-620



Further parts see page
possible catch plates
6010-139-xxx

9A-560



Toggle latch with high opening resistance

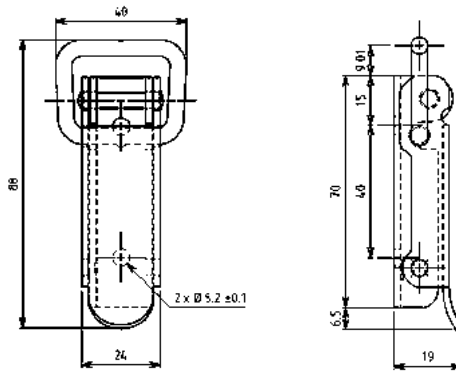
	Without padlock-facility	With padlock-facility
Zinc plated steel DS plus Top Coat drilled	6002-U75-JQ	6002-U74-JQ

Toggle latch with low opening resistance

	Without padlock-facility	With padlock-facility
Zinc plated steel DS plus Top Coat drilled	6002-U77-JQ	6002-U73-JQ
AISI 304 drilled	6002-U77-PC	6002-U73-PC

Further parts see page possible catch plates
6010-12-xxx
6010-13-xxx
6010-14-xxx
6010-339-xxx
6010-958-xxx

9A-620
9A-640
9A-640
9A-640
9A-660

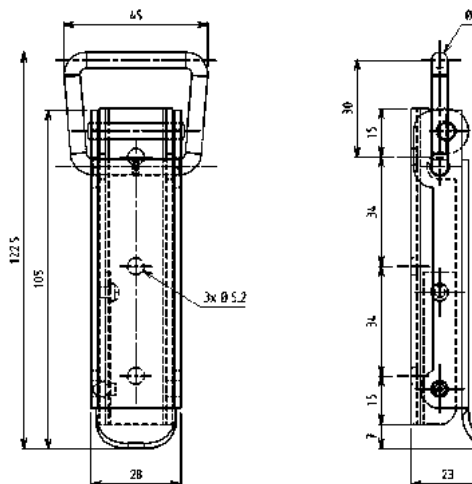


Toggle latch with low opening resistance, economic version

	Without padlock-facility	With padlock-facility
Zinc plated steel, drilled	6002-U76-JB	-

Further parts see page possible catch plates
6010-12-xxx
6010-13-xxx
6010-14-xxx
6010-339-xxx
6010-958-xxx

9A-620
9A-640
9A-640
9A-640
9A-660



Toggle latch with high opening resistance

	Without padlock-facility	With padlock-facility
Raw steel drilled	6002-U15-KA	6002-U14-KA
Zinc plated steel DS plus Top Coat drilled	6002-U15-JQ	6002-U14-JQ
AISI 304 drilled	6002-U15-PC	6002-U14-PC

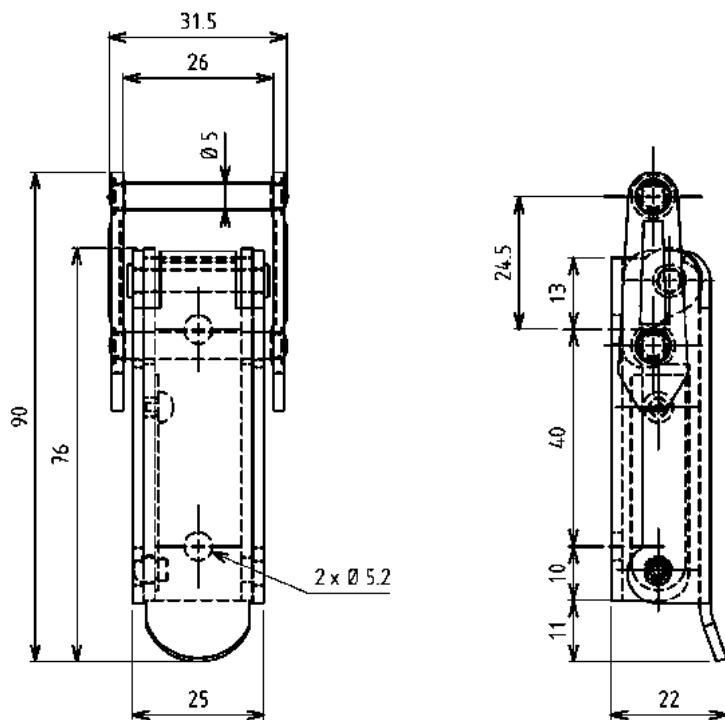
Further parts see page possible catch plates
6010-16-xxx
6010-17-xxx

9A-660
9A-660



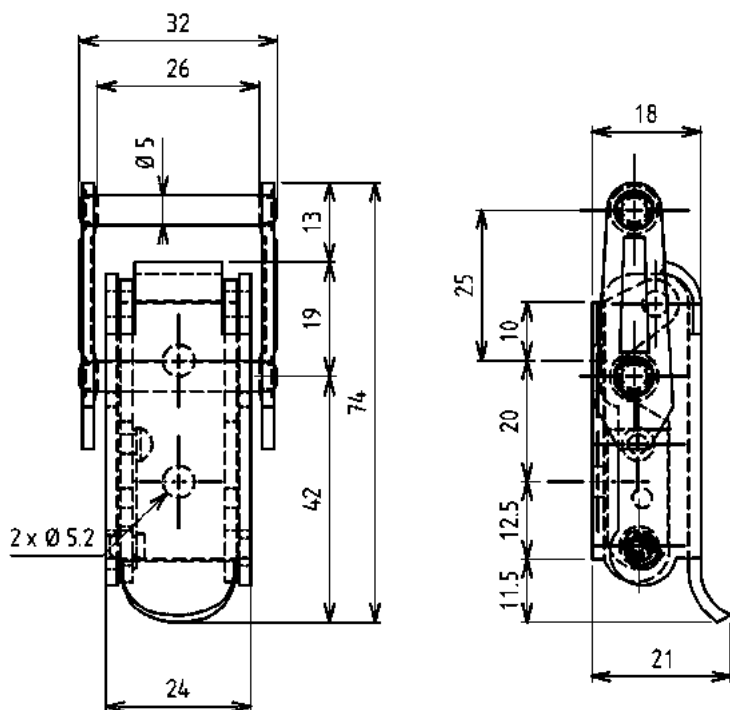
Toggle latch with links

PROGRAM 6000



Toggle latch with low opening resistance

	Without padlock-facility	With padlock-facility
Zinc plated steel DS plus Top Coat drilled	6003-U79-JQ	6003-U80-JQ



Toggle latch with low opening resistance

	Without padlock-facility
Zinc plated steel DS plus Top Coat drilled	6003-U71-JQ
AISI 304 drilled	6003-U71-PC



Further parts see page possible catch plates

- 6010-12-xxx 9A-620
- 6010-13-xxx 9A-640
- 6010-14-xxx 9A-640
- 6010-958-xxx 9A-660
- Back plate 9A-680



Further parts see page possible catch plates

- 6010-12-xxx 9A-620
- 6010-13-xxx 9A-640
- 6010-14-xxx 9A-640
- 6010-958-xxx 9A-660

INOX
AISI
3..



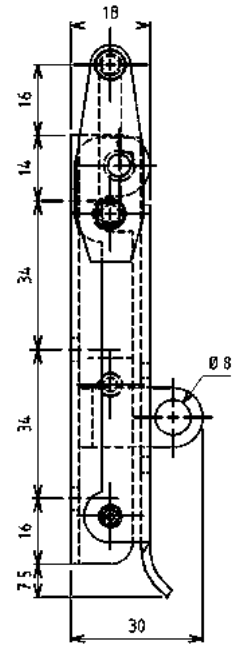
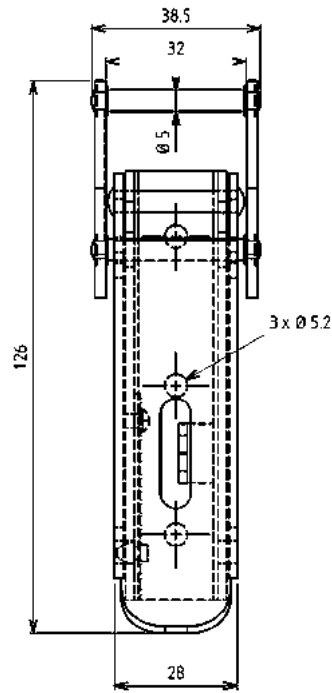
Further parts see page possible catch plates
6010-12-xxx
6010-13-xxx
6010-14-xxx
6010-339-xxx
6010-958-xxx

9A-620
9A-640
9A-640
9A-640
9A-660



Further parts see page possible catch plates
6010-12-xxx
6010-13-xxx
6010-14-xxx
6010-958-xxx

9A-620
9A-640
9A-640
9A-660

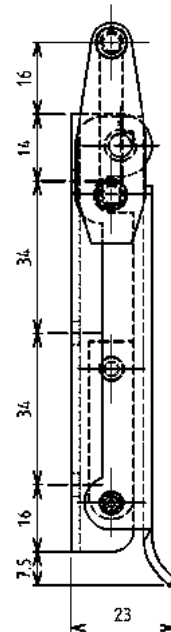
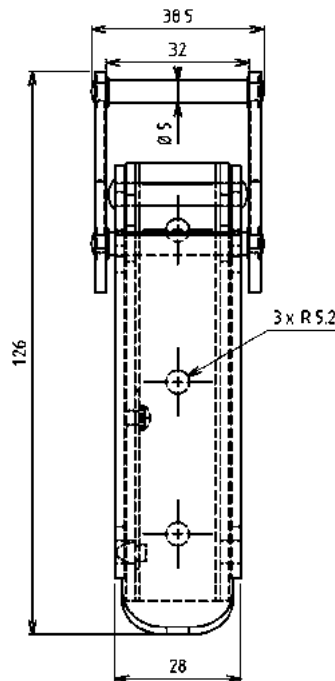


Toggle latch with high opening resistance

	Without padlock-facility	With padlock-facility
Zinc plated steel DS plus Top Coat drilled	6003-U82-JQ	6003-U81-JQ



EDELSTAHL
STAINLESS STEEL

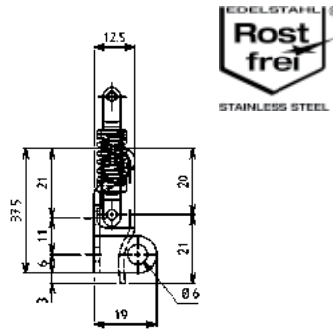
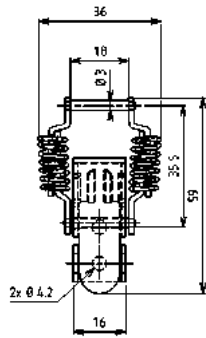


Toggle latch with low opening resistance

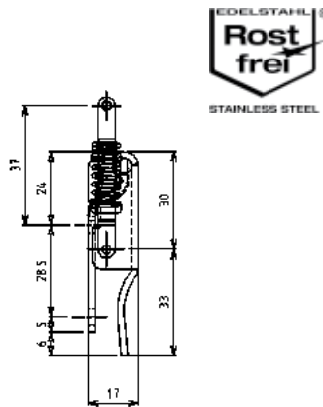
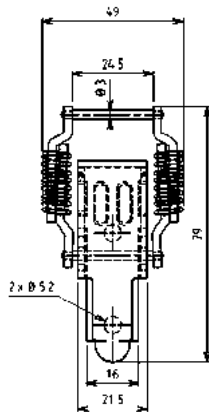
	Without padlock-facility
AISI 304 drilled	6003-U86-PC

Spring loaded toggle latches

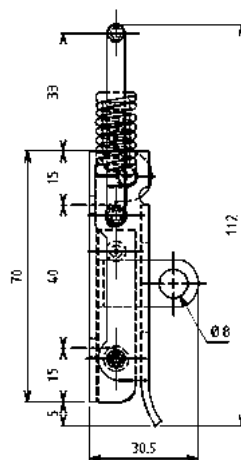
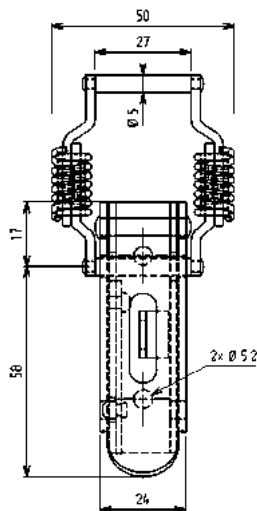
PROGRAM 6000



Toggle latch	Without padlock-facility	With padlock-facility
Raw steel drilled	6004-U22-KA	6004-U23-KA
Zinc plated steel DS plus Top Coat drilled	6004-U22-JQ	6004-U23-JQ
AISI 304 drilled	6004-U22-PC	6004-U23-PC



Toggle latch	Without padlock-facility	With padlock-facility
Raw steel drilled	6004-U24-KA	6004-U25-KA
Zinc plated steel DS plus Top Coat drilled	6004-U24-JQ	6004-U25-JQ
AISI 304 drilled	6004-U24-PC	6004-U25-PC



Toggle latch with high opening resistance	Without padlock-facility	With padlock-facility
Raw steel drilled	6004-U26-KA	6004-U37-KA
Zinc plated steel DS plus Top Coat drilled	6004-U26-JQ	6004-U37-JQ

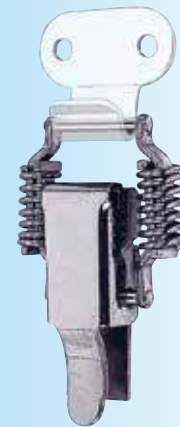
Beschlagteile

INOX
AISI
3..



Further parts see page possible catch plates

6010-04-xxx	9A-520
6010-05-xxx	9A-540
6010-08-xxx	9A-620
6010-243-xxx	9A-570
6010-316-xxx	9A-570



Further parts see page possible catch plates

6010-06-xxx	9A-540
6010-09-xxx	9A-620
6010-12-xxx	9A-620
6010-315-xxx	9A-570
6010-316-xxx	9A-570
6010-958-xxx	9A-660



Further parts see page possible catch plates

6010-12-xxx	9A-620
6010-13-xxx	9A-640
6010-14-xxx	9A-640
6010-339-xxx	9A-640
6010-958-xxx	9A-660



Further parts see page
possible catch plates

- | | |
|--------------|--------|
| 6010-12-xxx | 9A-620 |
| 6010-13-xxx | 9A-640 |
| 6010-14-xxx | 9A-640 |
| 6010-339-xxx | 9A-640 |
| 6010-958-xxx | 9A-660 |

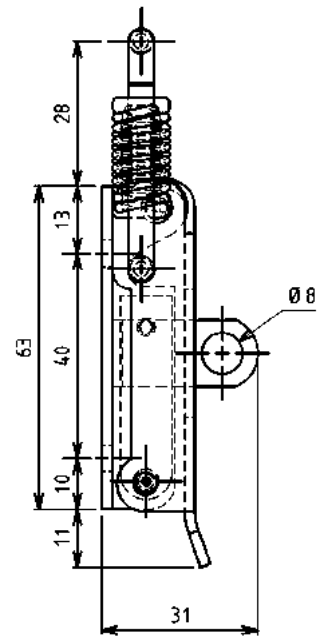
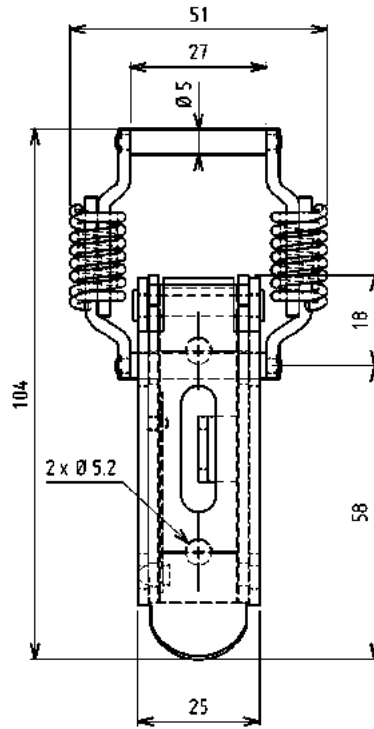


Further parts see page
possible catch plates

- | | |
|-------------|--------|
| 6010-15-xxx | 9A-640 |
| 6010-16-xxx | 9A-660 |
| 6010-17-xxx | 9A-660 |

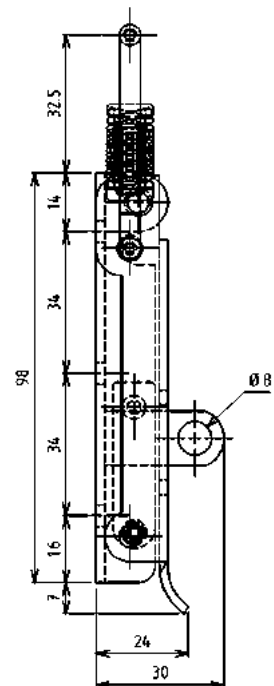
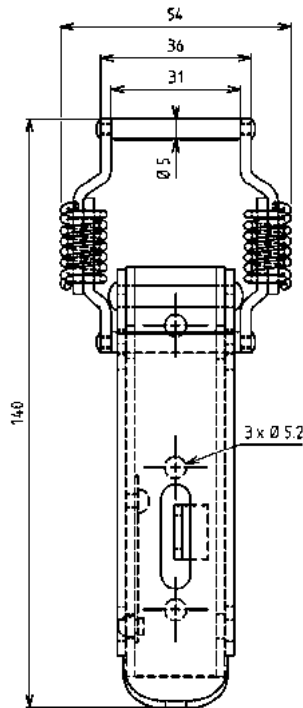
9A-230

(9A-220; 9A-240)



Toggle latch with low opening resistance

	Without padlock-facility	With padlock-facility
Raw steel drilled	6004-U30-KA	6004-U31-KA
Zinc plated steel DS plus Top Coat drilled	6004-U30-JQ	6004-U31-JQ

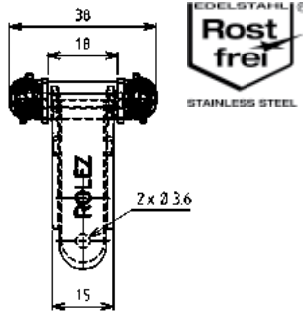
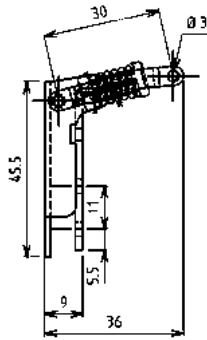


Toggle latch with high opening resistance

	Without padlock-facility	With padlock-facility
Zinc plated steel DS plus Top Coat drilled	6004-U27-JQ	6004-U34-JQ

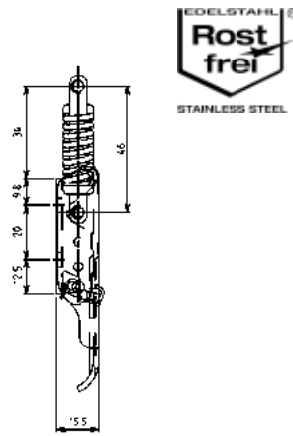
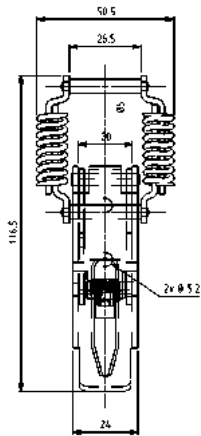
Spring loaded toggle latches

PROGRAM 6000



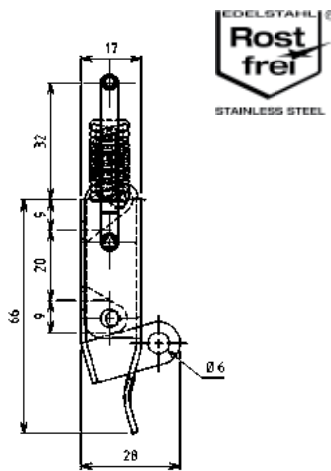
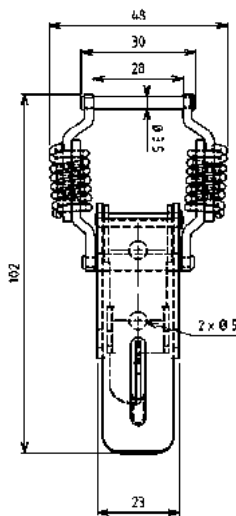
Toggle latch with corner function

	Without padlock-facility
Zinc plated steel DS plus Top Coat drilled	6004-U20-JQ
AISI 304 drilled	6004-U20-PC



Toggle latch

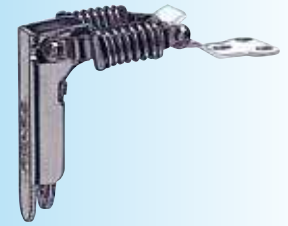
	Without locking latch	With locking latch
Zinc plated steel DS plus Top Coat drilled	6004-U17-JQ	6004-U517-JQ
AISI 304 drilled	6004-U17-PC	6004-U517-PC



Toggle latch with high opening resistance

	Without padlock-facility	With padlock-facility
Raw steel drilled	6004-U18-KA	6004-U518-KA
Zinc plated steel DS plus Top Coat drilled	6004-U18-JQ	6004-U518-JQ

INOX
AISI
3..



Further parts see page possible catch plates

6010-04-xxx	9A-520
6010-05-xxx	9A-540
6010-243-xxx	9A-570
6010-316-xxx	9A-570



Further parts see page possible catch plates

6010-12-xxx	9A-620
6010-13-xxx	9A-640
6010-14-xxx	9A-640
6010-339-xxx	9A-640
6010-958-xxx	9A-660



Further parts see page possible catch plates

6010-06-xxx	9A-540
6010-09-xxx	9A-620
6010-12-xxx	9A-620
6010-315-xxx	9A-570
6010-958-xxx	9A-660

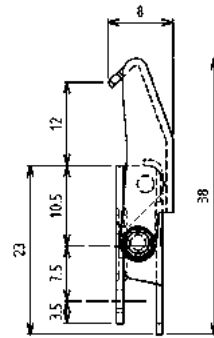
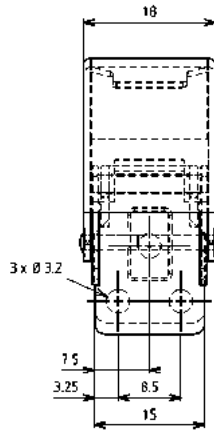
INOX
AISI
3..



Further parts see page
possible catch plates
6010-200-xxx

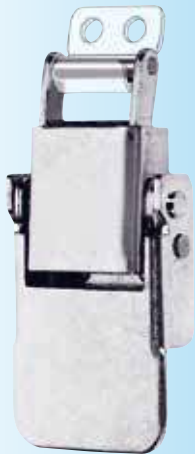
9A-560

EDELSTAHL
**Rost
frei**
STAINLESS STEEL



Toggle latch with claw links

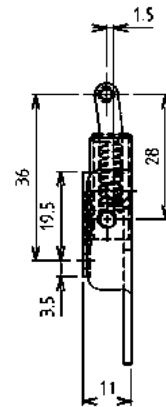
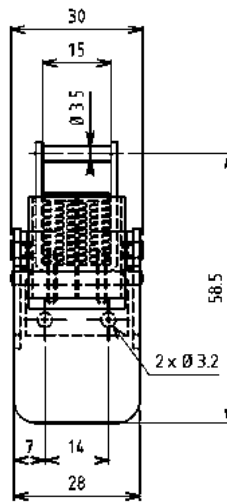
Raw steel drilled	6005-U200-KA
Zinc plated steel DS plus Top Coat drilled	6005-U200-JQ
AISI 304 drilled	6005-U200-PC



Further parts see page
possible catch plates
6010-07-xxx

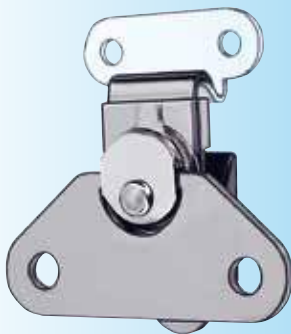
9A-540

EDELSTAHL
**Rost
frei**
STAINLESS STEEL



Toggle latch with claw links

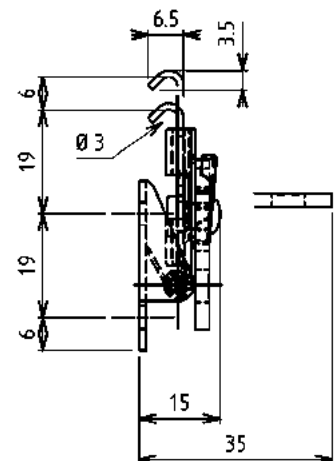
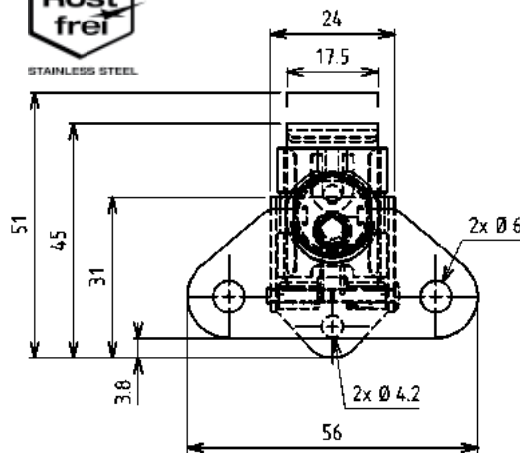
Zinc plated steel DS plus Top Coat drilled	6005-U28-JQ
AISI 304 drilled	6005-U28-PC



Further parts see page
possible catch plates
6010-20-xxx

9A-560

EDELSTAHL
**Rost
frei**
STAINLESS STEEL

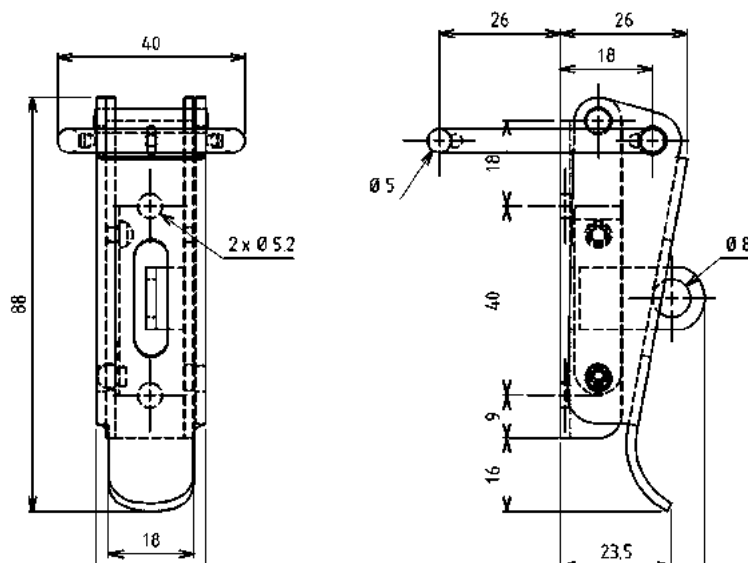


Compression latch

Zinc plated steel DS plus Top Coat drilled	6006-U10-JQ
AISI 304 drilled	6006-U10-PC

Special toggle latches

PROGRAM 6000



Toggle latch with corner function

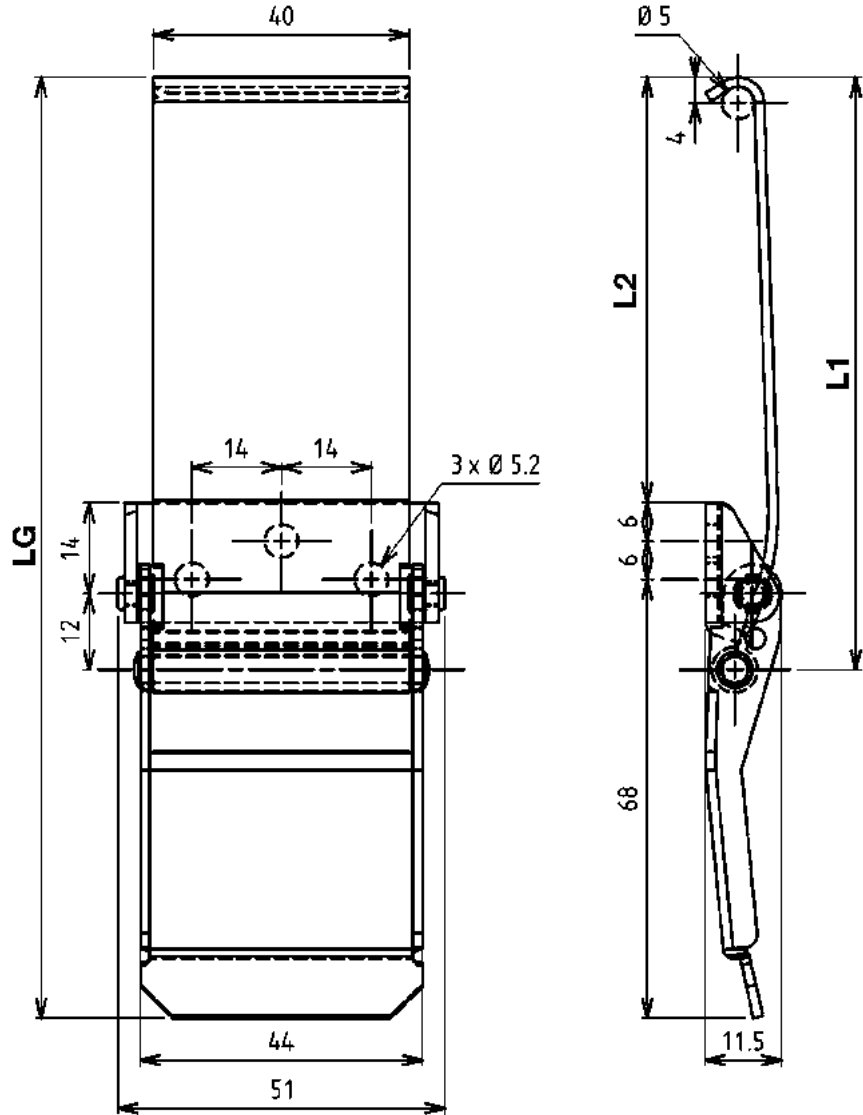
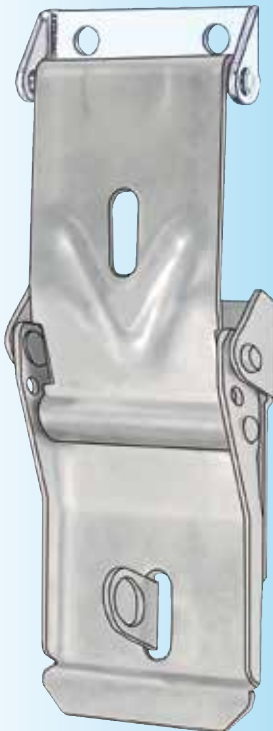
	Without padlock-facility	With padlock-facility
Zinc plated steel DS plus Top Coat drilled	6006-U46-JQ	6006-U47-JQ

Further parts see page
possible catch plates
6010-12-xxx
6010-958-xxx

9A-620
9A-660

INOX
AISI
3..

EDELSTAHL®
**Rost
frei**
STAINLESS STEEL



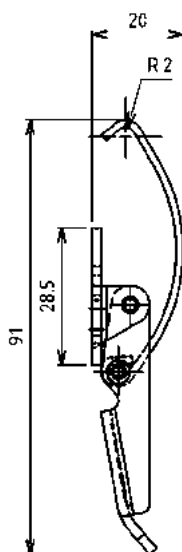
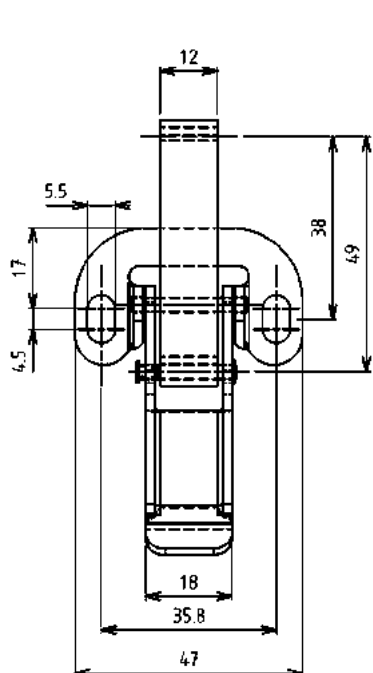
Further parts see page
possible catch plates
6010-18-xxx
6010-261-xxx
6010-690-xxx
6010-694-xxx

9A-560
9A-580
9A-580
9A-580

Toggle latch	LG	L1	L2	Without pad-lock-facility	With pad-lock-facility
Zinc plated steel DS plus Top Coat drilled	110	56	29	6007-U689-56JQ	
AISI 304 drilled	110	56	29	6007-U689-56PC	
Zinc plated steel DS plus Top Coat drilled	120	67	39	6007-U689-67JQ	6007-U692-67JQ
AISI 304 drilled	120	67	39	6007-U689-67PC	6007-U692-67PC
Zinc plated steel DS plus Top Coat drilled	131	77	50	6007-U689-77JQ	
AISI 304 drilled	131	77	50	6007-U689-77PC	
Zinc plated steel DS plus Top Coat drilled	147	93	66	6007-U689-93JQ	
AISI 304 drilled	147	93	66	6007-U689-93PC	

PROGRAM 6000

Beschlagteile



Toggle latch

Zinc plated steel DS plus Top Coat drilled

6007-U435-JQ

AISI 304 drilled

6007-U435-PC

Further parts see page

possible catch plates

6010-01-xxx

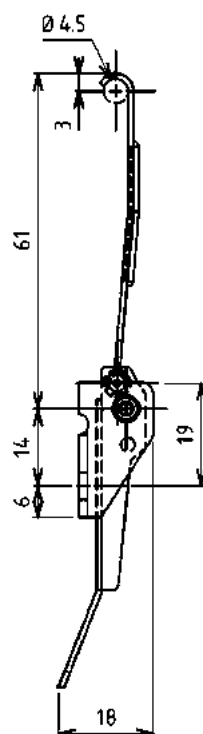
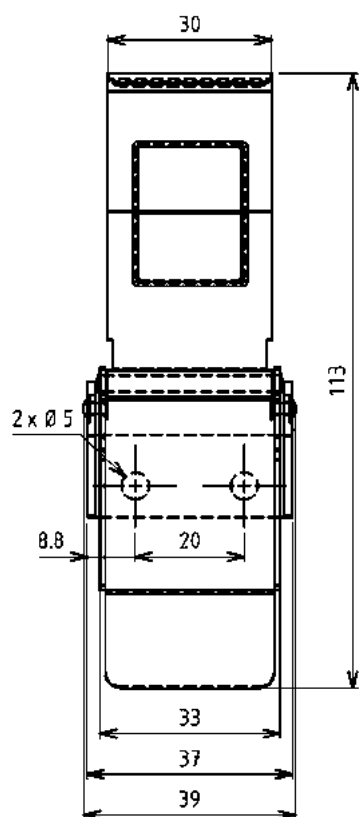
9A-520

6010-05-xxx

9A-540

6010-316-xxx

9A-570



Toggle latch

Zinc plated steel DS plus Top Coat drilled

6007-U80-JQ

AISI 304 drilled

6007-U80-PC

Further parts see page

possible catch plates

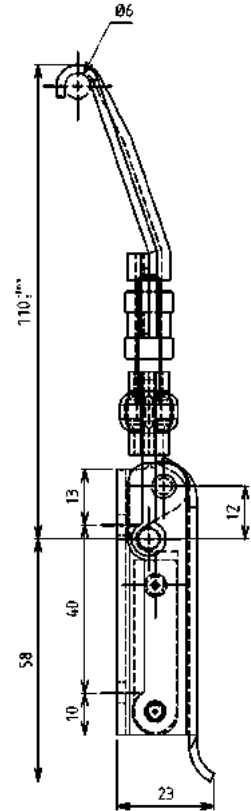
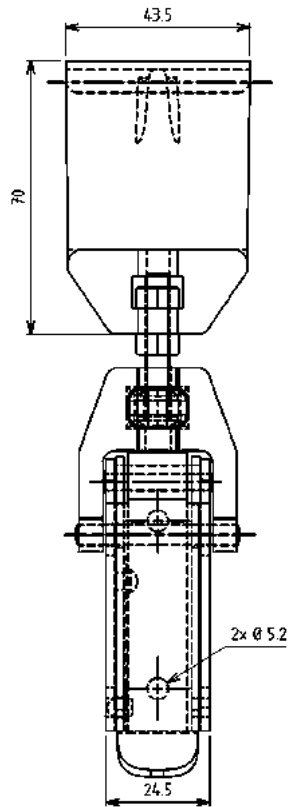
6010-241-xxx

9A-570

6010-866-xxx

9A-580

INOX
AISI
3..



Further parts see page
possible catch plates
6010-18-xxx
6010-261-xxx

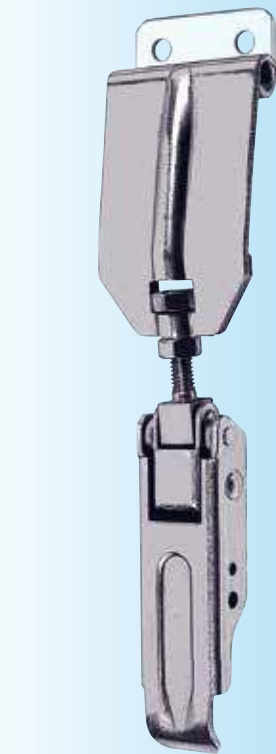
9A-560
9A-580

Toggle latch

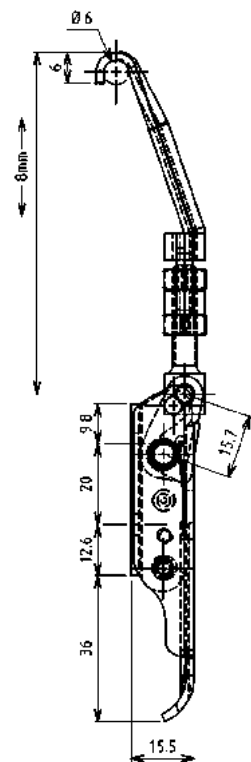
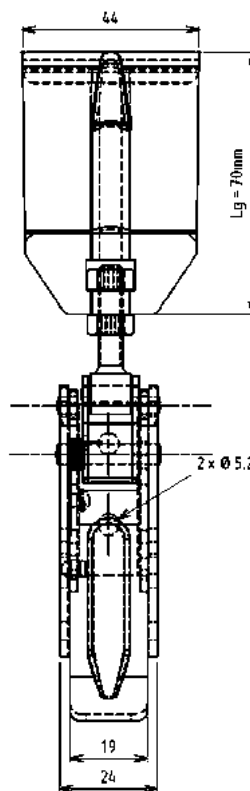
Zinc plated steel DS plus Top Coat drilled

Without padlock-facility

6008-U364-JQ



EDELSTAHL®
Rost frei
STAINLESS STEEL



Further parts see page
possible catch plates
6010-18-xxx
6010-261-xxx

9A-560
9A-580

Toggle latch

Zinc plated steel DS plus Top Coat drilled

AISI 304 drilled

Without locking latch

6008-U365-JQ

6008-U365-PC

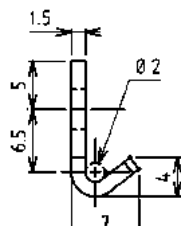
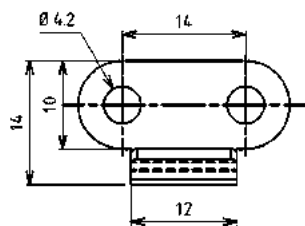
With locking latch

6008-U865-JQ

6008-U865-PC

Catch plate

PROGRAM 6000

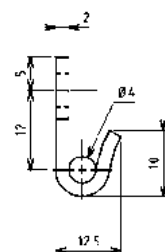
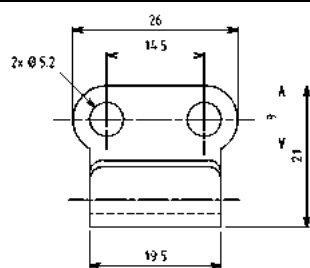


Catch plate

Raw steel drilled	6010-01-KA
Raw steel undrilled	6010-01-01KA
Zinc plated steel DS plus Top Coat drilled	6010-01-JQ
AISI 304 drilled	6010-01-PC
AISI 304, undrilled	6010-01-01PC

Further parts see page
– Toggle latch

9A-120
9A-140
9A-310

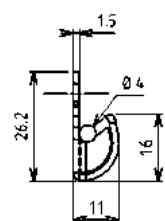
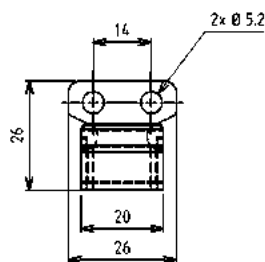


Catch plate

Raw steel drilled	6010-02-KA
Raw steel undrilled	6010-02-01KA
Zinc plated steel DS plus Top Coat drilled	6010-02-JQ
AISI 304 drilled	6010-02-PC
AISI 304, undrilled	6010-02-01PC

Further parts see page
– Toggle latch

9A-120

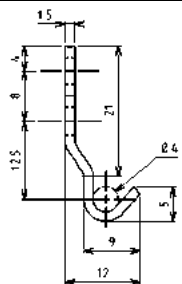
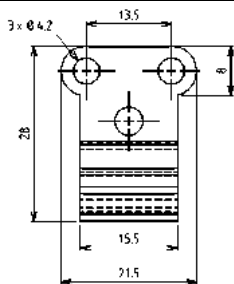


Catch plate

Raw steel drilled	6010-03-KA
Zinc plated steel DS plus Top Coat drilled	6010-03-JQ
AISI 304 drilled	6010-03-PC

Further parts see page
– Toggle latch

9A-120



Catch plate

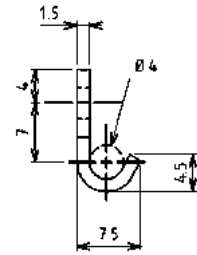
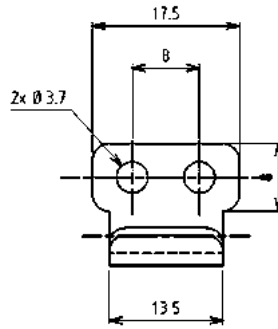
Raw steel drilled	6010-04-KA
Zinc plated steel DS plus Top Coat drilled	6010-04-JQ
AISI 304 drilled	6010-04-PC

Further parts see page
– Toggle latch

9A-220
9A-240



Further parts see page
– Toggle latch 9A-260

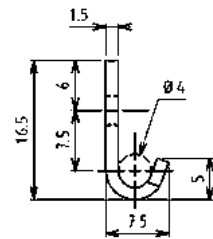
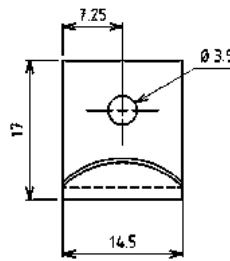


Catch plate

Zinc plated steel DS plus Top Coat drilled	6010-07-JQ
AISI 304 drilled	6010-07-PC



Further parts see page
– Toggle latch 9A-120
9A-140

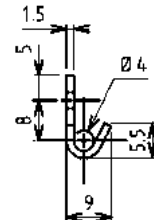
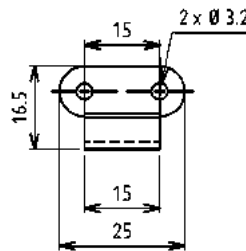


Catch plate

Raw steel drilled	6010-11-KA
Bare steel undrilled	6010-11-01KA
Zinc plated steel DS plus Top Coat drilled	6010-11-JQ
AISI 304 drilled	6010-11-PC
AISI 304, undrilled	6010-11-01PC



Further parts see page
– Toggle latch 9A-220
9A-240
9A-310

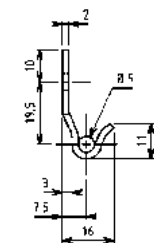
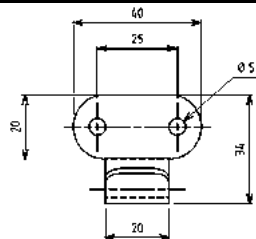


Catch plate

Bare steel drilled	6010-05-KA
Zinc plated steel DS plus Top Coat drilled	6010-05-JQ
AISI 304 drilled	6010-05-PC



Further parts see page
– Toggle latch 9A-220
9A-240

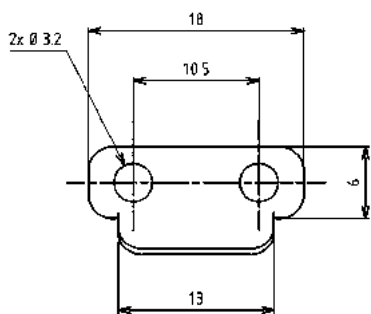


Catch plate

Raw steel drilled	6010-06-KA
Zinc plated steel DS plus Top Coat drilled	6010-06-JQ
AISI 304 drilled	6010-06-PC

Catch plate

PROGRAM 6000

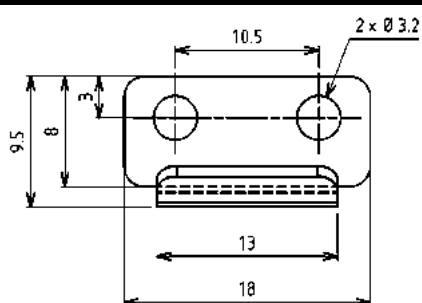


Catch plate

Raw steel drilled	6010-200-KA
Zinc plated steel DS plus Top Coat drilled	6010-200-JQ
AISI 304 drilled	6010-200-PC

Further parts see page
– Toggle latch

9A-260

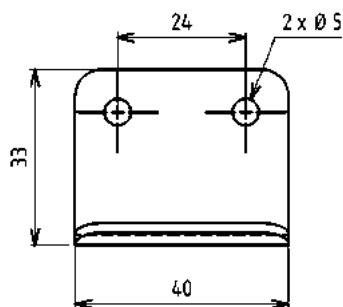


Catch plate

Raw steel drilled	6010-139-KA
Zinc plated steel DS plus Top Coat drilled	6010-139-JQ
AISI 304 drilled	6010-139-PC

Further parts see page
– Toggle latch

9A-140

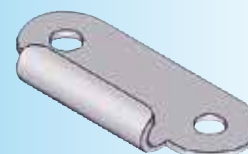
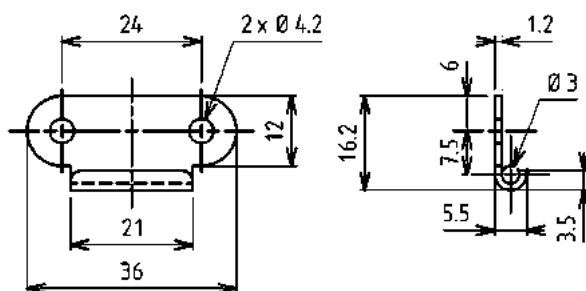


Catch plate

Raw steel drilled	6010-18-KA
Zinc plated steel DS plus Top Coat drilled	6010-18-JQ
AISI 304 drilled	6010-18-PC

Further parts see page
– Toggle latch

9A-320



Catch plate

Zinc plated steel DS plus Top Coat drilled	6010-20-JQ
AISI 304 drilled	6010-20-PC

Further parts see page
– Toggle latch

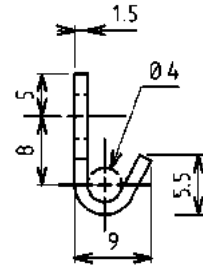
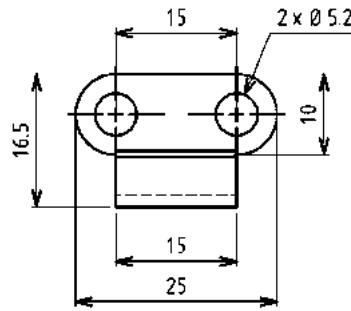
9A-260

Info
Quarter turns
1
2 Rod controls
3 Locking systems
4 Hinges
5 Gasketing
6 Handles
7 Aluminium windows
8 Stainless steel
9 Latches



Further parts see page
– toggle latch

9A-220
9A-240
9A-310



Catch plate

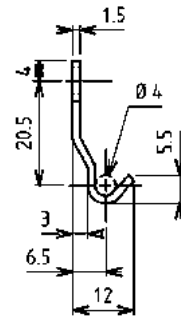
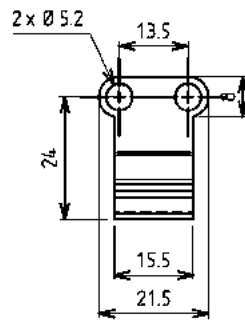
Zinc plated steel DS plus Top Coat drilled

6010-316-JQ



Further parts see page
– Toggle latch

9A-220
9A-240



Catch plate

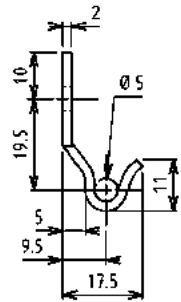
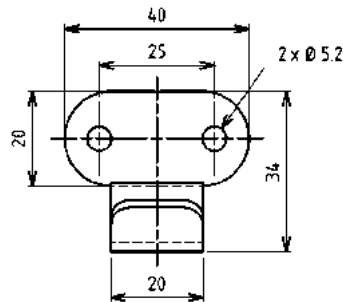
Zinc plated steel DS plus Top Coat drilled

6010-243-JQ



Further parts see page
– Toggle latch

9A-220
9A-240



Catch plate

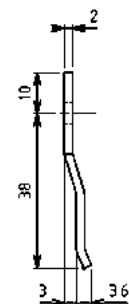
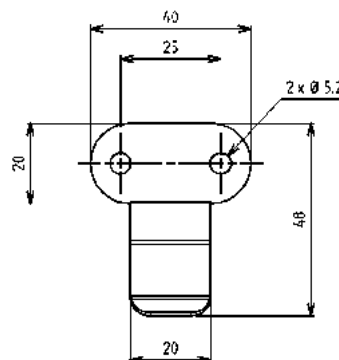
Zinc plated steel DS plus Top Coat drilled

6010-315-JQ



Further parts see page
– Toggle latch

9A-310



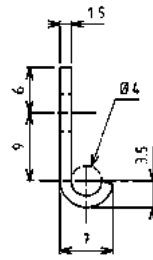
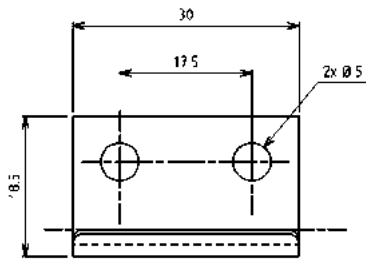
Hook

Zinc plated steel DS plus Top Coat drilled

6010-241-JQ

Catch plate

PROGRAM 6000



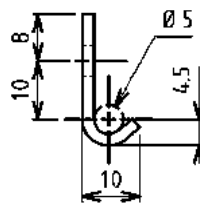
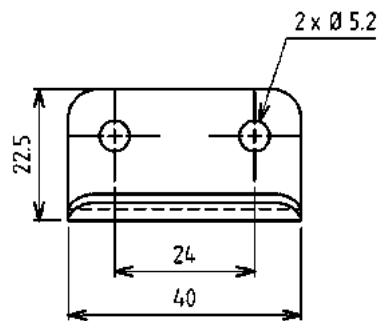
Catch plate

Zinc plated steel DS plus Top Coat drilled

6010-866-JQ

AISI 304 drilled

6010-866-PC



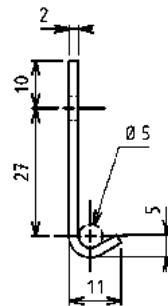
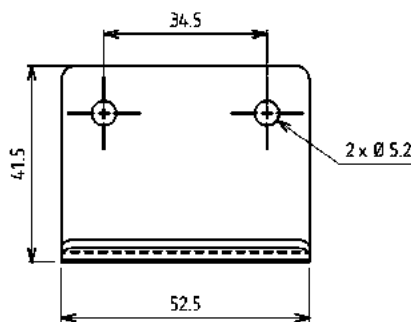
Catch plate

Zinc plated steel DS plus Top Coat drilled

6010-261-JQ

AISI 304 drilled

6010-261-PC



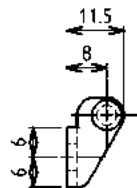
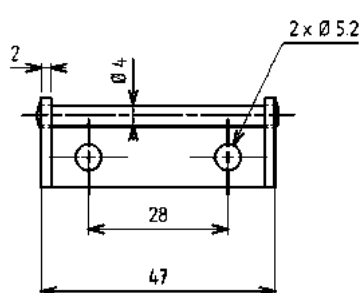
Catch plate

Zinc plated steel DS plus Top Coat drilled

6010-690-JQ

AISI 304 drilled

6010-690-PC



Catch plate

Zinc plated steel DS plus Top Coat drilled

6010-694-JQ

AISI 304 drilled

6010-694-PC



Further parts see page
– Toggle latch

9A-310



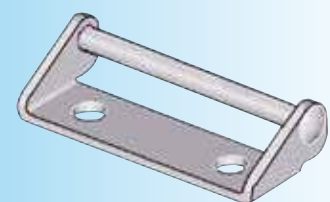
Further parts see page
– Toggle latch

9A-300
9A-320



Further parts see page
– Toggle latch

9A-300



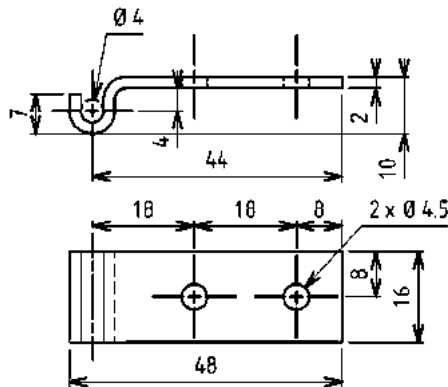
Further parts see page
– Toggle latch

9A-300



Further parts see page
– Toggle latch

9A-120
9A-140
9A-220



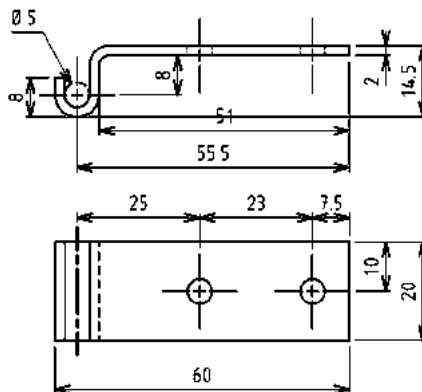
Catch plate

Raw steel drilled	6010-08-KA
Raw steel undrilled	6010-08-01KA
Zinc plated steel DS plus Top Coat drilled	6010-08-JQ
AISI 304 drilled	6010-08-PC
AISI 304, undrilled	6010-08-01PC



Further parts see page
– Toggle latch

9A-120
9A-220
9A-240



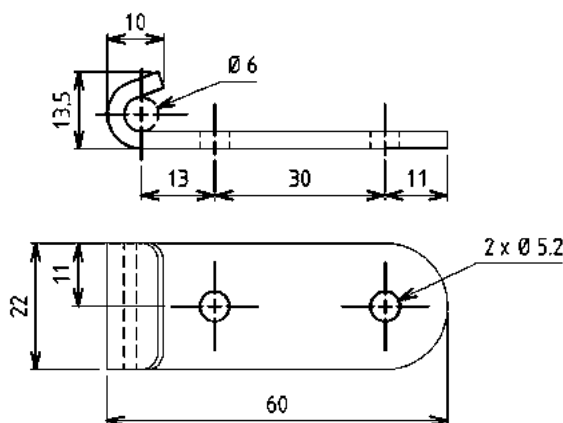
Catch plate

Raw steel drilled	6010-09-KA
Raw steel undrilled	6010-09-01KA
Zinc plated steel DS plus Top Coat drilled	6010-09-JQ
AISI 304 drilled	6010-09-PC
AISI 304, undrilled	6010-09-01PC



Further parts see page
– Toggle latch

9A-160
9A-180
9A-200
9A-220
9A-230
9A-240
9A-280

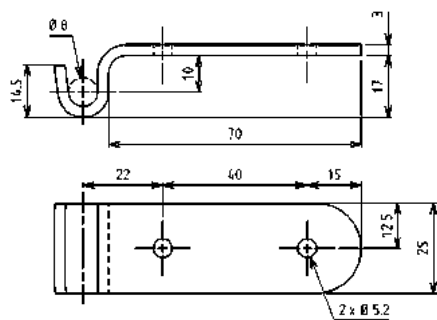


Catch plate

Raw steel drilled	6010-12-KA
Zinc plated steel DS plus Top Coat drilled	6010-12-JQ
AISI 304 drilled	6010-12-PC

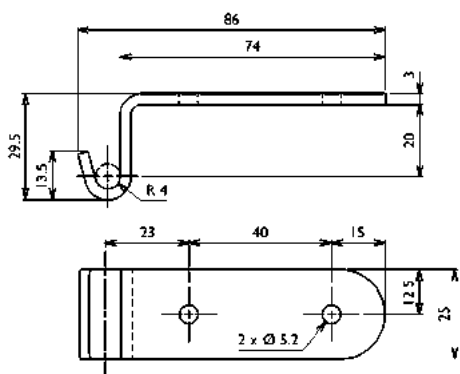
Catch plate

PROGRAM 6000



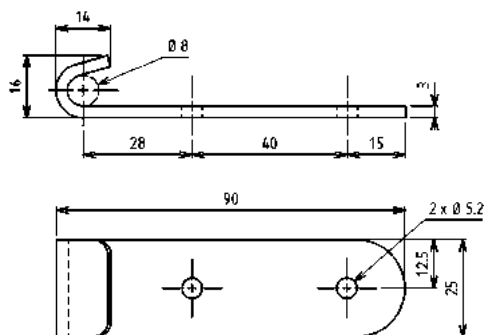
Catch plate

Raw steel drilled	6010-13-KA
Zinc plated steel DS plus Top Coat drilled	6010-13-JQ
AISI 304 drilled	6010-13-PC



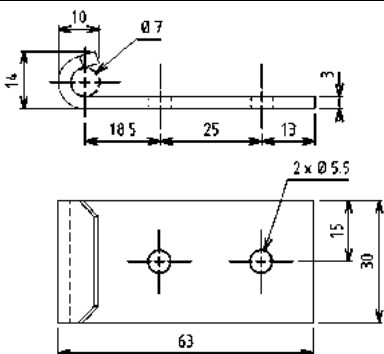
Catch plate

Zinc plated steel DS plus Top Coat drilled	6010-339-JQ
--	-------------



Catch plate

Raw steel drilled	6010-14-KA
Zinc plated steel DS plus Top Coat drilled	6010-14-JQ
AISI 304 drilled	6010-14-PC



Hook

Zinc plated steel DS plus Top Coat drilled	6010-15-JQ
--	------------



Further parts see page
– Toggle latch

- 9A-160
- 9A-180
- 9A-200
- 9A-220
- 9A-230
- 9A-240
- 9A-680

– Back plate



Further parts see page
– Toggle latch

- 9A-160
- 9A-180
- 9A-200
- 9A-220
- 9A-230
- 9A-240
- 9A-680

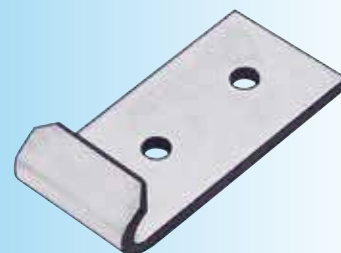
– Back plate



Further parts see page
– Toggle latch

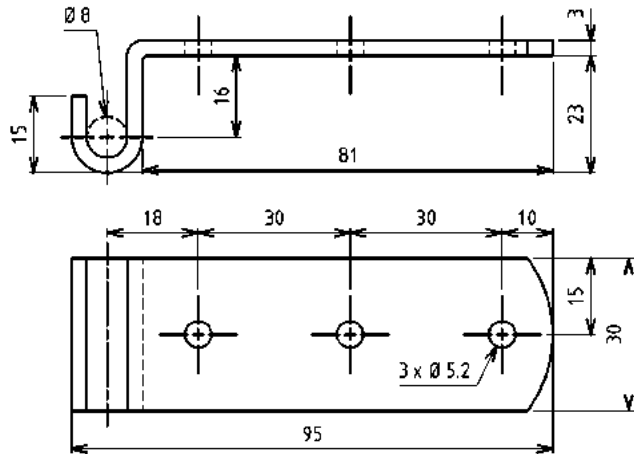
- 9A-160
- 9A-180
- 9A-200
- 9A-220
- 9A-230
- 9A-240
- 9A-680

– Back plate



Further parts see page
– Toggle latch

- 9A-230

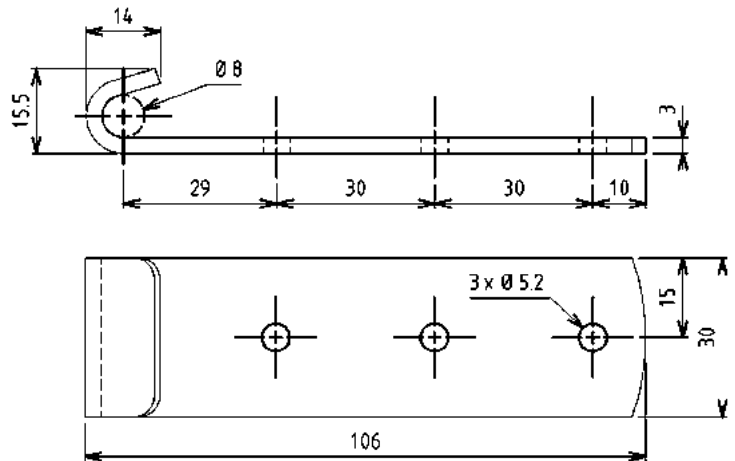
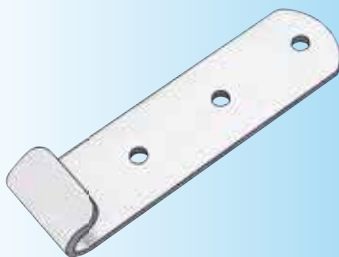


Further parts see page
– Toggle latch

9A-160
9A-230

Catch plate

Raw steel drilled	6010-16-KA
Zinc plated steel DS plus Top Coat drilled	6010-16-JQ
AISI 304 drilled	6010-16-PC

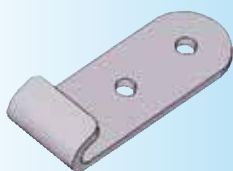


Further parts see page
– toggle latch

9A-160
9A-230

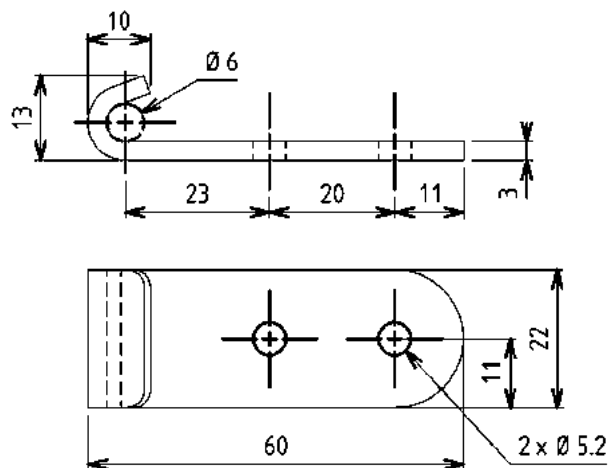
Catch plate

Raw steel drilled	6010-17-KA
Zinc plated steel DS plus Top Coat drilled	6010-17-JQ
AISI 304 drilled	6010-17-PC



Further parts see page
– Toggle latch

9A-160
9A-180
9A-200
9A-220
9A-230
9A-240
9A-280



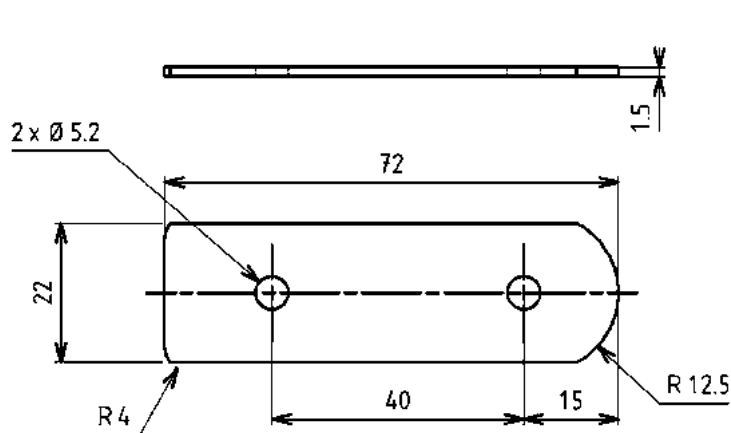
Catch plate

Zinc plated steel DS plus Top Coat drilled	6010-958-JQ
AISI 304 drilled	6010-958-PC

Back plate

PROGRAM 6000

Beschlagteile



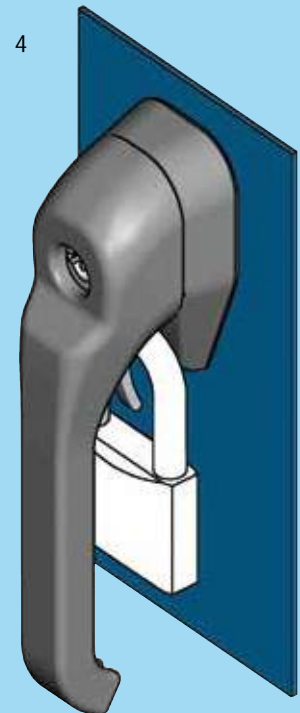
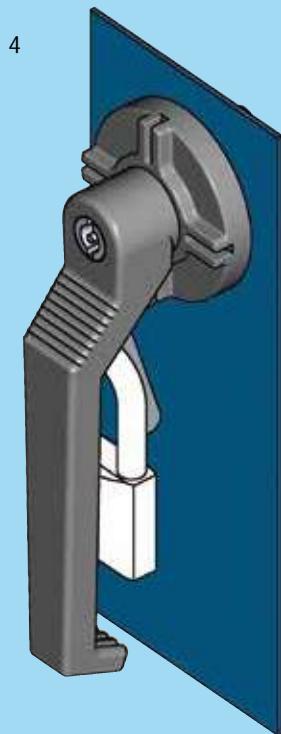
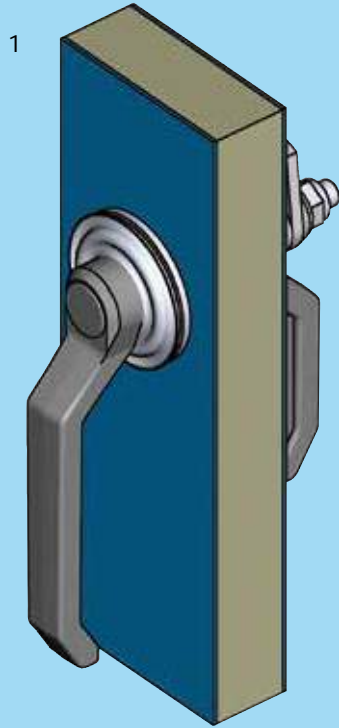
Back plate for toggle latch and catch plate

Raw steel	6042-82-KA
Zinc plated steel DS plus Top Coat drilled	6042-82-JQ
AISI 304	6042-82-PC

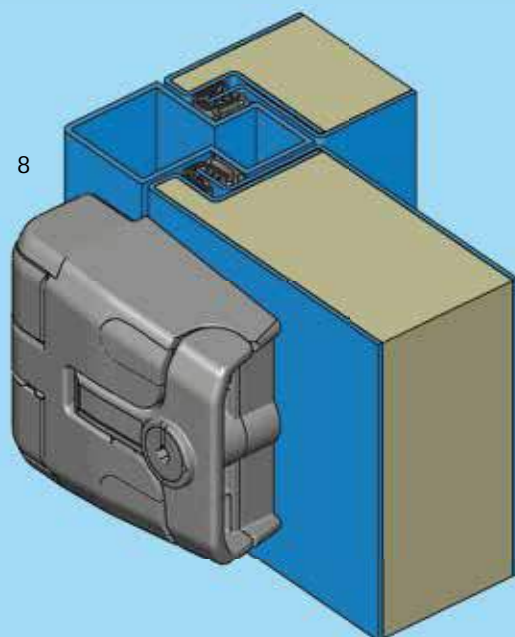
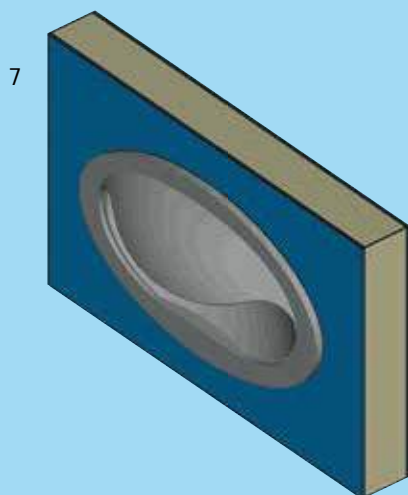
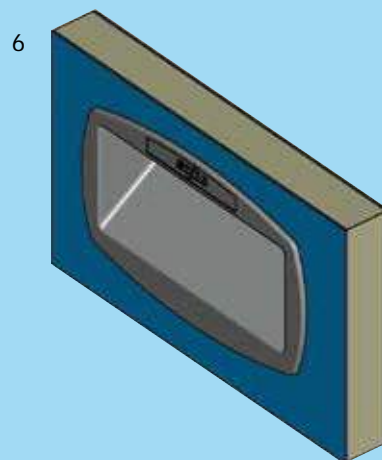
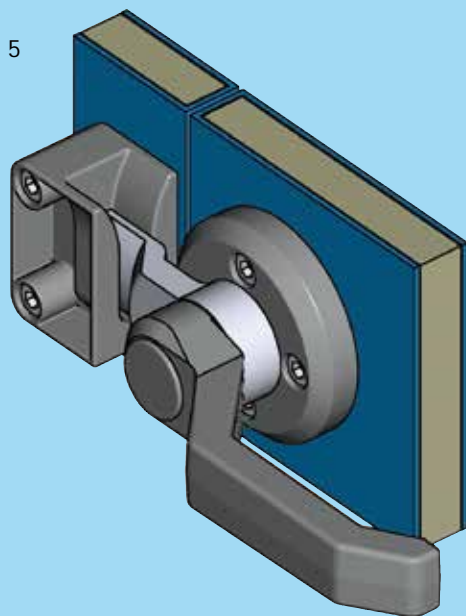
Further parts see page

- Toggle latch 9A-180
- Catch plate 9A-640

Air-Conditioning Program 1091



Info
1 Quarter turns
2 Rod controls
3 Locking systems
4 Hinges
5 Gasketing
6 Handles
7 Aluminium windows
8 Stainless steel
9 Latches



- 1 Heavy Duty latch with mild steel shaft
- 2 Heavy Duty latch
- 3 Lift and turn latch
- 4 Heavy Duty latch
- 5 Heavy Duty latch, outside the door
- 6 Pull
- 7 Pull
- 8 HVAC Compression Latch-Hinge with or without pressure relief

- 10A-120 to 10A-180, 10A-320
 10A-220, 10A-340
 10A-520
 10A-620, 10A-640
 10A-420
 10A-720 to 10A-760, 10A-820
 10A-820
 10A-110, 10A-115

10A-100

HVACR Compression Latch-Hinge with or without pressure relief

PROGRAM 1091

Info

Quarter turns

Rod controls

Locking systems

Hinges

Gasketing

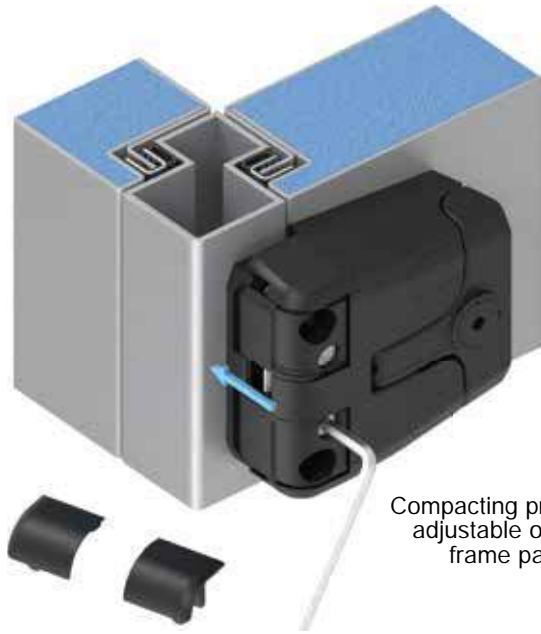
Handles

Aluminium windows

Stainless steel

Latches

Air-conditioning

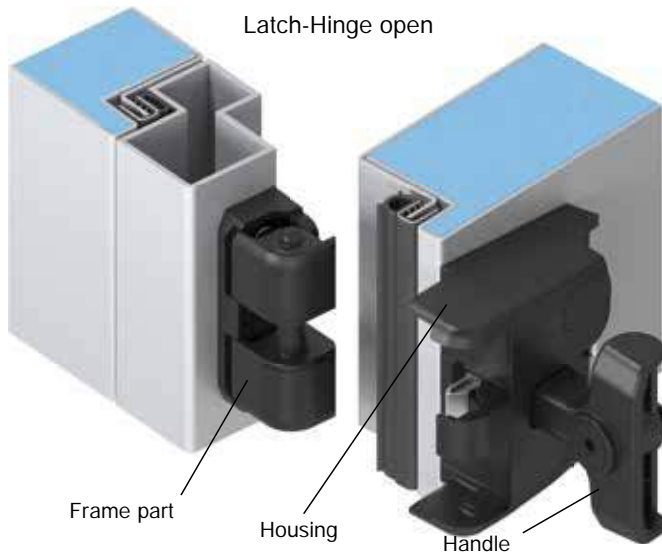
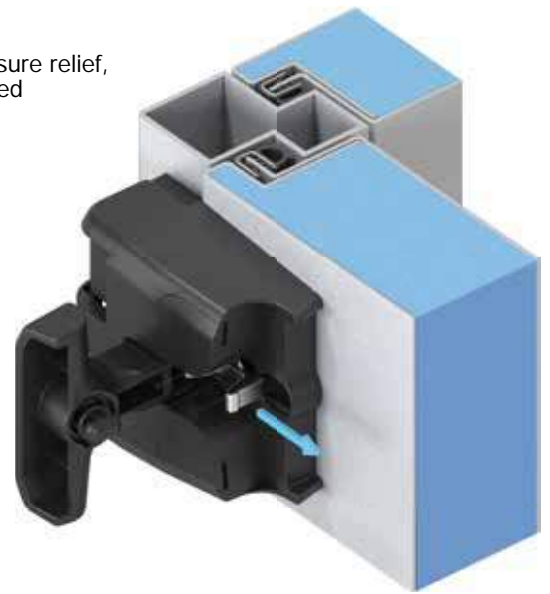


Compression Latch-Hinge locked

Compacting pressure adjustable on the frame part



Latch-Hinge with pressure relief, handle unlocked

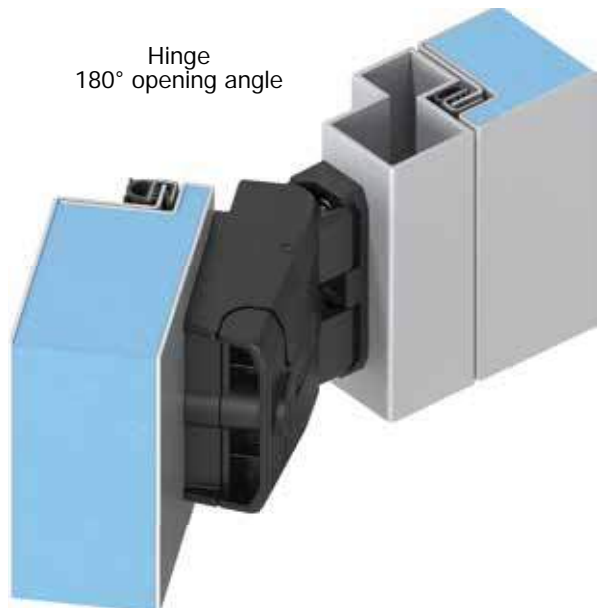


Latch-Hinge open

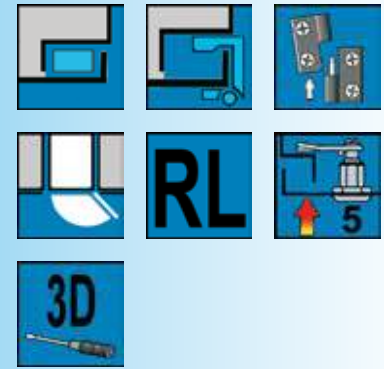
Frame part

Housing

Handle



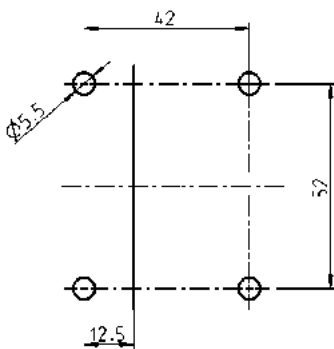
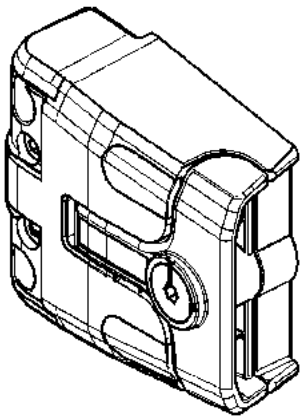
Hinge 180° opening angle



Further inserts on request

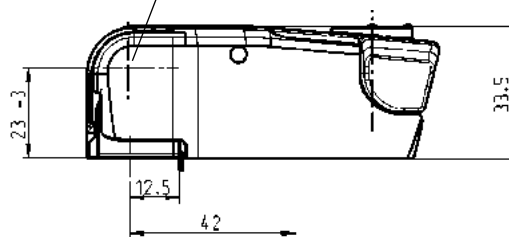
Product benefits

- When the door is closed, the latch is adjustable (3 mm) to achieve perfect alignment
- Compression (5 mm) with low opening and closing force
- Door or panel can be removed by unlatching the handles on both sides
- 3D adjustable
- Latch-Hinge can be mounted as one piece with the door in place
- Right or left hinged
- Hinge 180° opening angle
- Available with or without pressure relief
- Patent submitted
- ATEX-compliant version (explosion protection) available on request

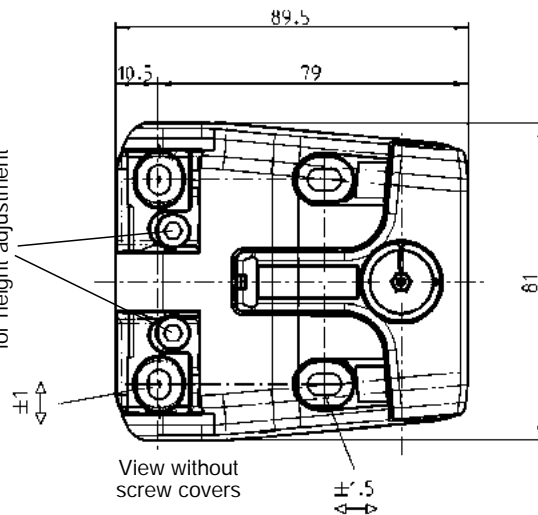


Frame part Housing
Cut out

Centre of rotation



Screw hexagon female SW 4 for height adjustment



View without screw covers

Compression Latch-Hinge large housing, handle, screw covers polyamide GF black; top and bottom frame part zinc die black powder-coated; latch zinc die nickel-plated and Top Coat; pin AISI 303; screw for height adjustment, washer and nut m.s. zinc-plated; with spring

① Insert hexagon female BS 4 polyamide GF black

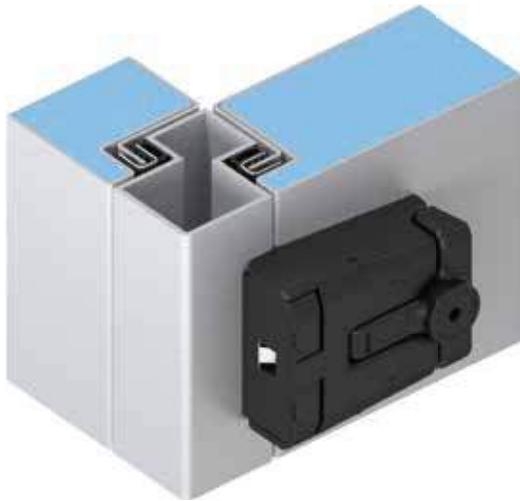
② Round cylinder Series 9000 zinc die with stainless steel cap and dust cap. Each round cylinder has two silver steel nickel plated reversible keys at a ring.

	① Insert	② Keyed 9081	Keyed different
without pressure relief	1091-U146	on request	on request
with pressure relief	1091-U147	on request	on request

HVACR Compression Latch-Hinge small with or without pressure relief

PROGRAM 1091

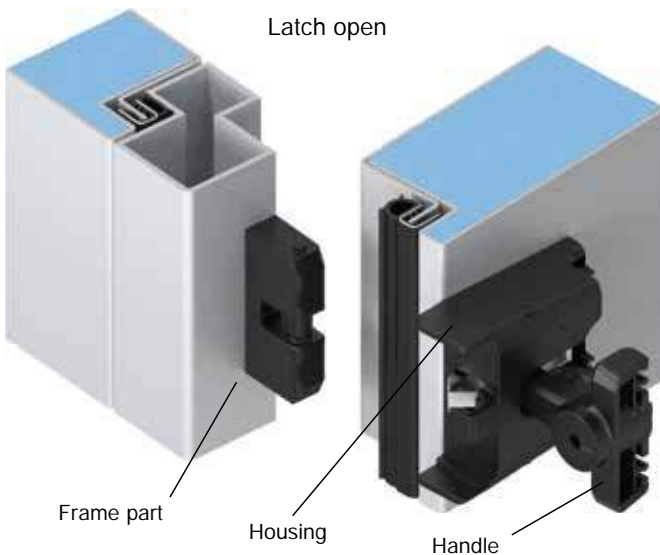
- Info
- Quarter turns
- 2 Rod controls
- 3 Locking systems
- 4 Hinges
- 5 Gasketing
- 6 Handles
- 7 Aluminium windows
- 8 Stainless steel
- 9 Latches
- 10 Air-conditioning



Compression latch locked



Latch with pressure relief, handle unlocked



Latch open

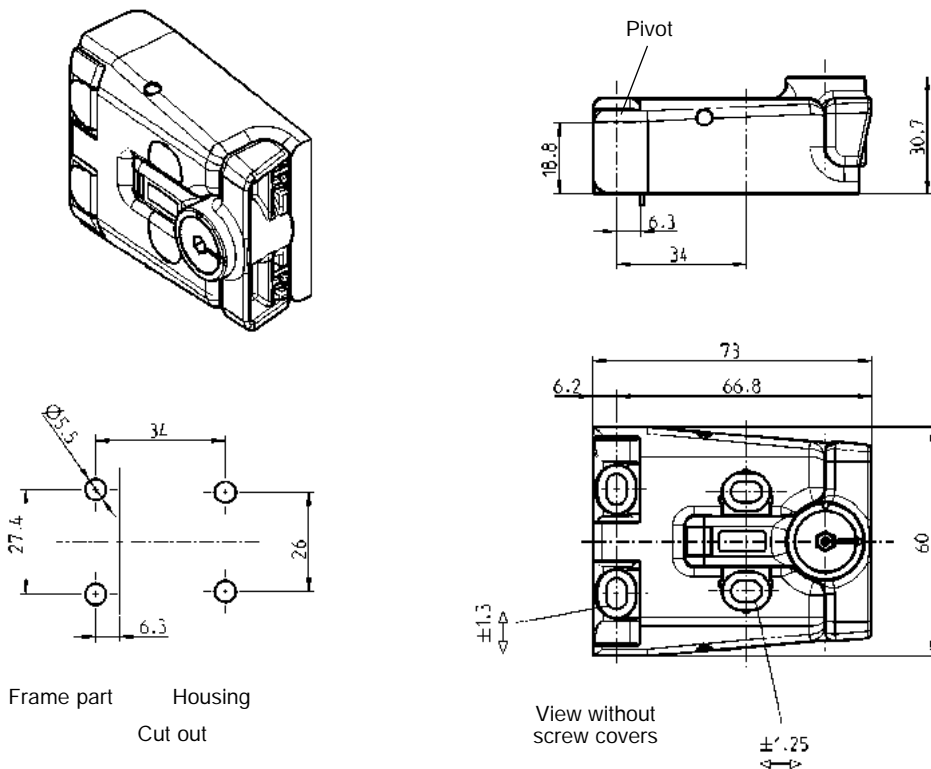


Hinge
180° opening angle



Product benefits

- The favorable pivot point of the handle makes a seal compression of 5 mm possible using low actuation forces
- Door or flap can be removed by unlatching the handles on both sides
- 2D adjustable (tolerance compensation)
- Compression latch can be mounted in one piece with the door / flap in place
- Right or left hinged
- Hinge 180° opening angle
- Available with or without safety feature "pressure relief"
- Patent submitted
- ATEX-compliant version (explosion protection) available on request



Compression Latch-Hinge small housing, handle, frame part polyamide GF black; screw covers polyamide black; latch zinc die nickel-plated and Top Coat; pin AISI 303; with spring

① Insert hexagon female BS 4 polyamide GF black

② Round cylinder Series 9000 zinc die with stainless steel cap and dust cap. Each round cylinder has two silver steel nickel plated reversible keys at a ring.

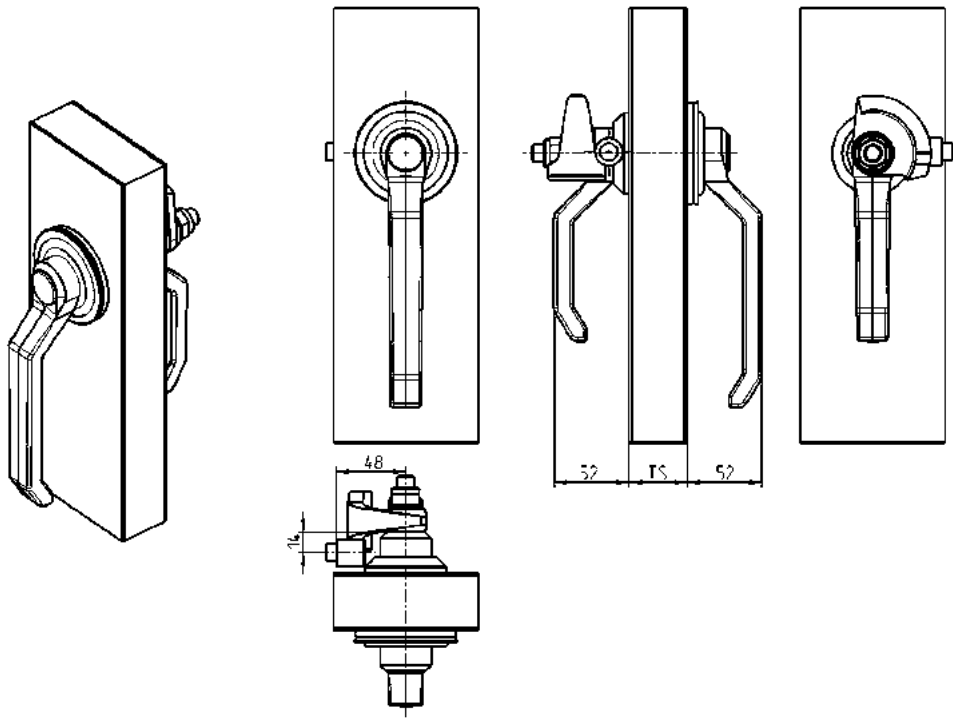
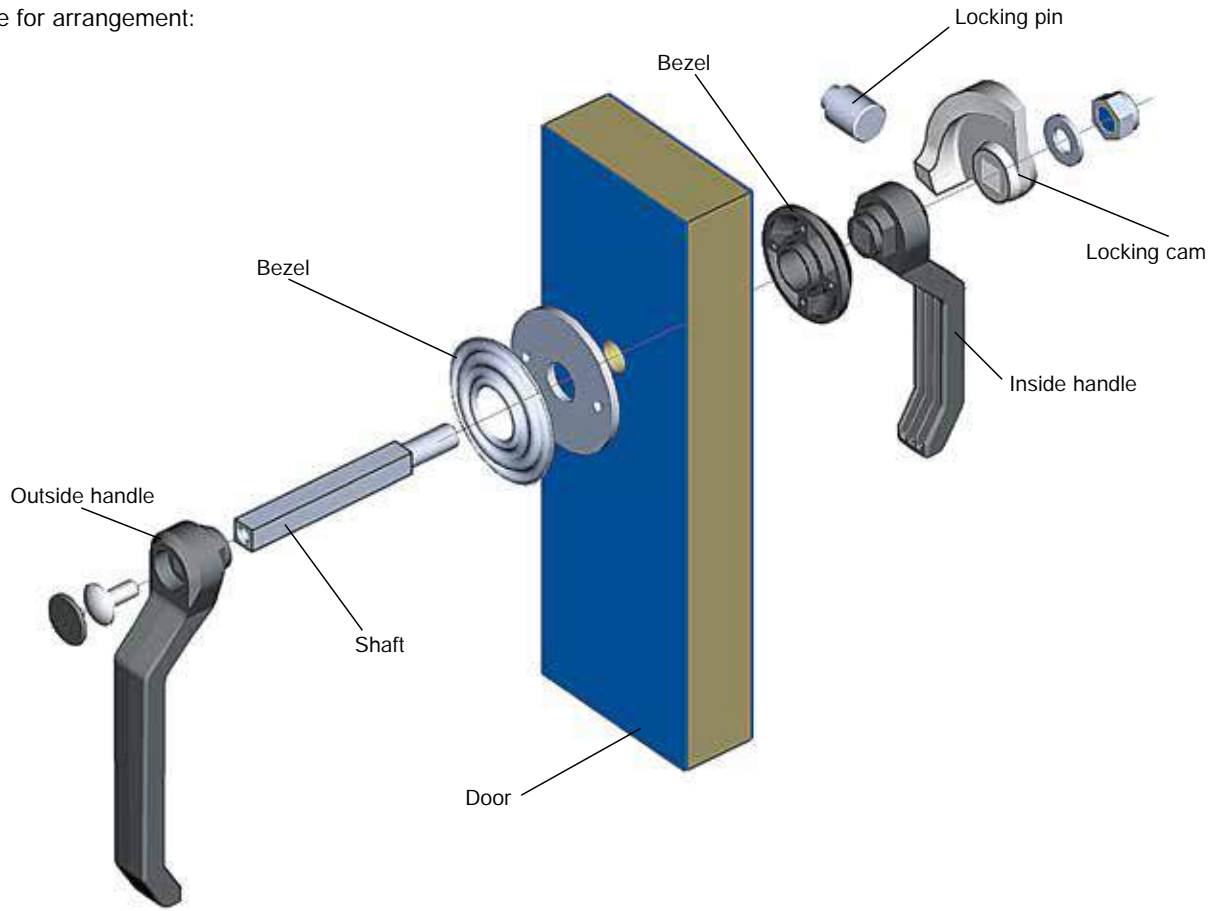
	① Insert	② Keyed 9081	Keyed different
without pressure relief	1091-U169	on request	on request
with pressure relief	1091-U168	on request	on request

Further inserts on request

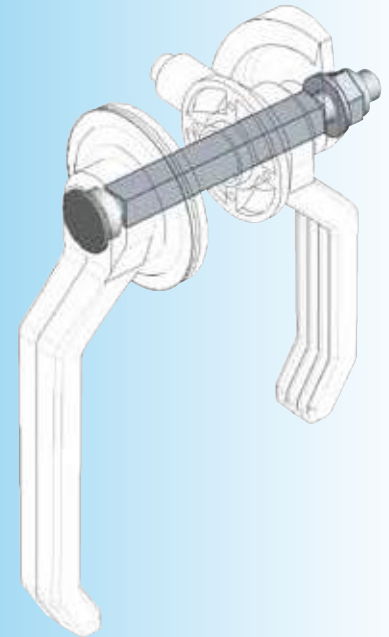
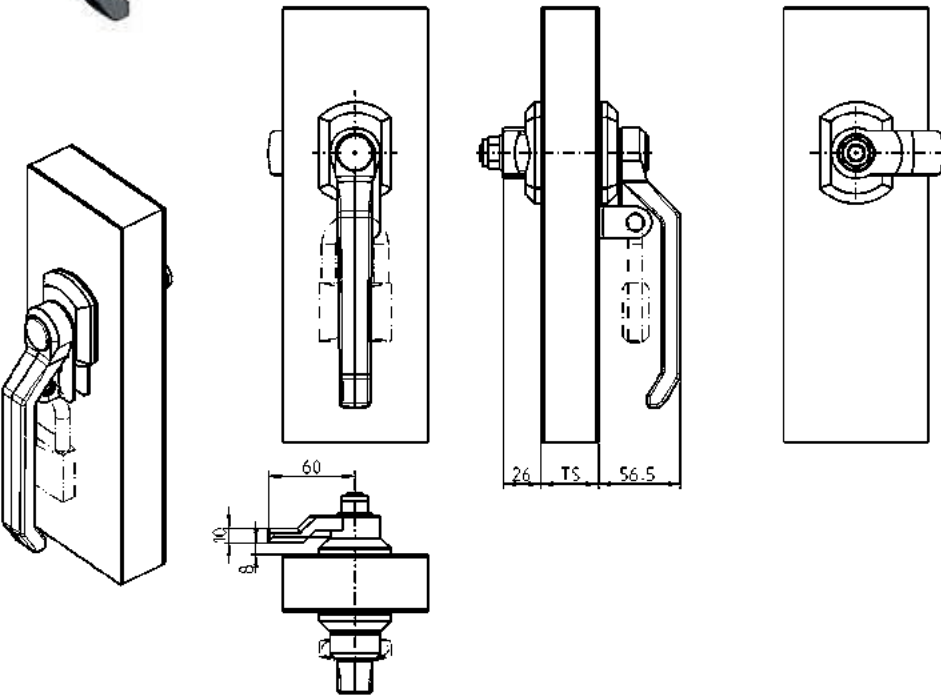
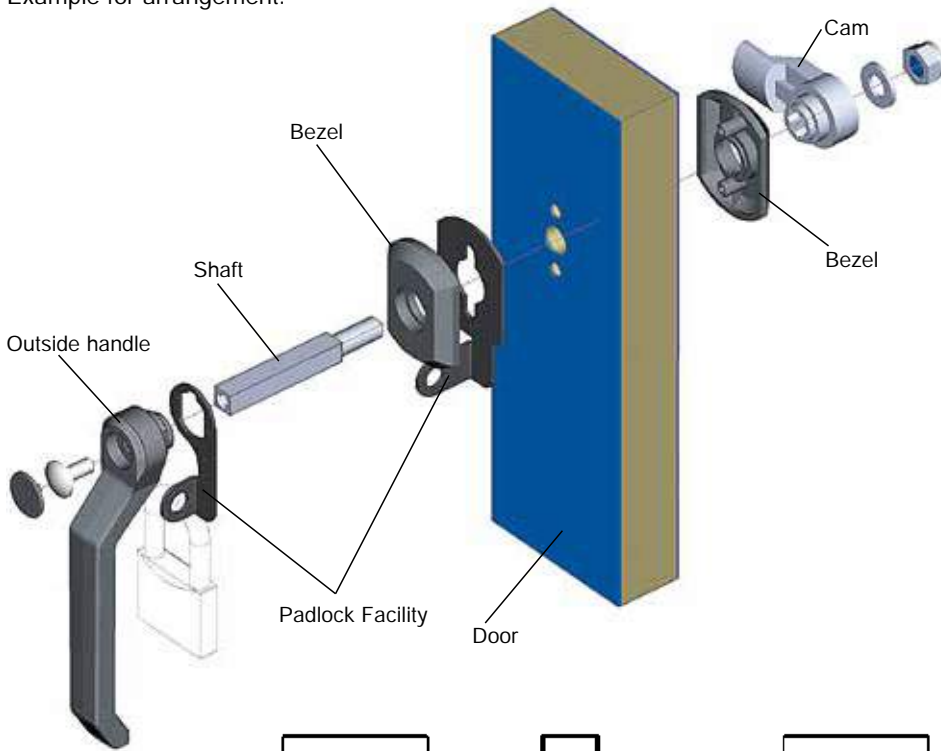
Heavy duty latch with m.s. shaft

PROGRAM 1091

Example for arrangement:



Example for arrangement:



Heavy duty latch consisting of:

Shaft m.s. zinc plated, screw M8, washer A13, Nyloc nut M12, m.s. zinc plated and plastic plug black polyamide

Ts	20	30	40	50	60	80	100	Tolerance
----	----	----	----	----	----	----	-----	-----------

for cam and inside handle

	1091-U8	1091-U9	1091-U10	1091-U11	1091-U12	1091-U13	1091-U14	± 5
--	---------	---------	----------	----------	----------	----------	----------	-----

for cam without inside handle

	1091-U6	1091-U7	1091-U8	1091-U9	1091-U10	1091-U12	1091-U13	- 10
--	---------	---------	---------	---------	----------	----------	----------	------

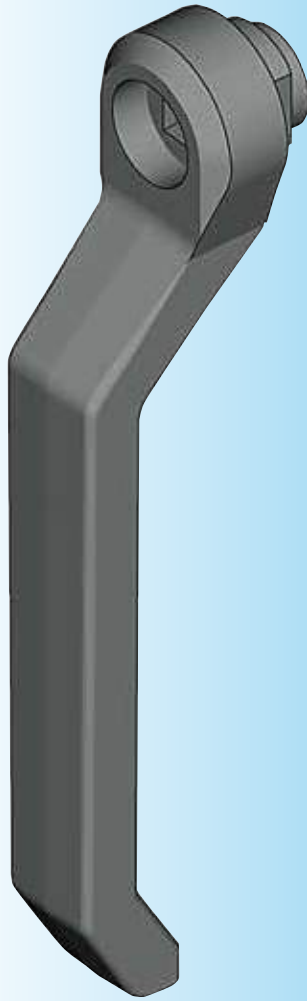
for inside handle, or spacer and locking cam

	1091-U8	1091-U9	1091-U10	1091-U11	1091-U12	1091-U13	1091-U14	± 5
--	---------	---------	----------	----------	----------	----------	----------	-----

Further parts see page

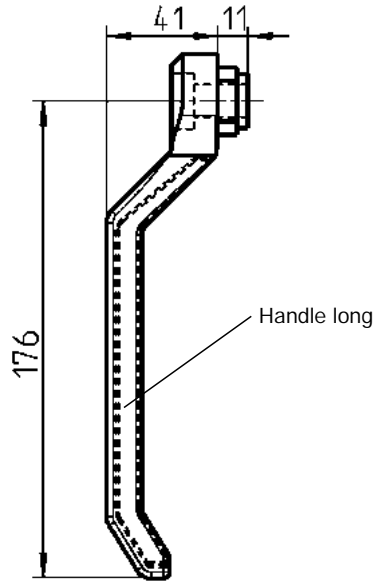
- Handle	10A-140
- Bezel	10A-180
- Locking cam	10A-160
- Cam	10A-160

RL



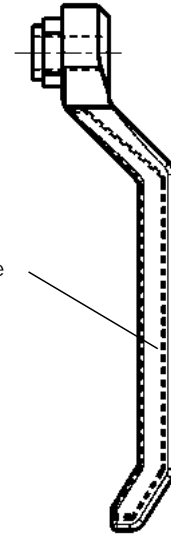
Handle

Outside

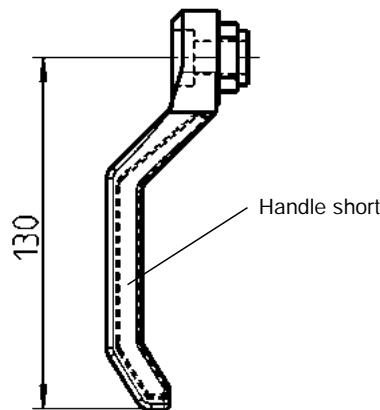


Handle long

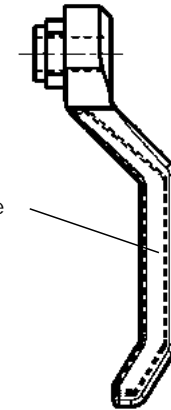
Inside



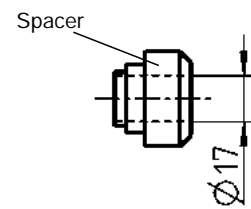
Handle long



Handle short



Handle short



Spacer

Attention:

The spacer is needed when using the cam lock without inner handle.

Further parts see page

- Heavy duty latch 10A-120
- Heavy duty latch, outside the door 10A-420

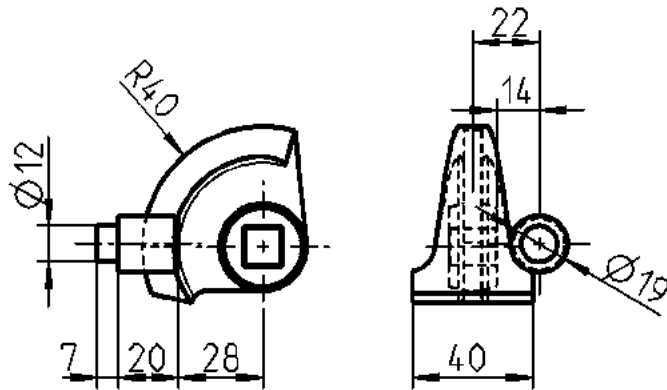
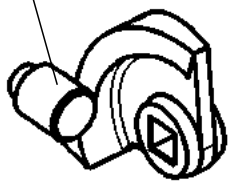
Handle long polyamide GF black		Handle long polyamide GF black with embedded steel	
	1091-20		1091-26
Handle long polyamide GF black with embedded steel		Handle short polyamide GF black	
	1091-22		1091-25
Handle short polyamide GF black		Handle short polyamide GF black with embedded steel	
	1091-21		1091-27
Handle short polyamide GF black with embedded steel		Spacer (replaces handle), m.s. zinc plated	
	1091-23		1091-28

Accessories for heavy duty latch

PROGRAM 1091

Locking cam

Locking pin



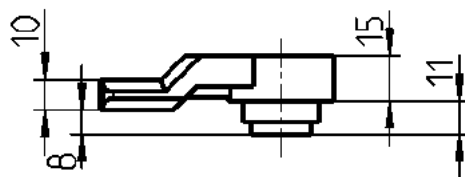
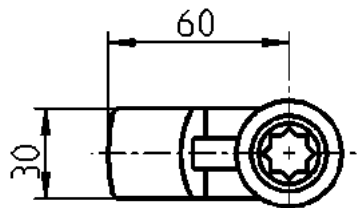
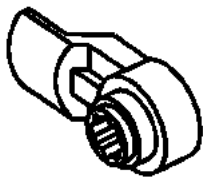
Locking cam zinc die

1091-04

Locking stud m.s. zinc plated

1091-01

Cam



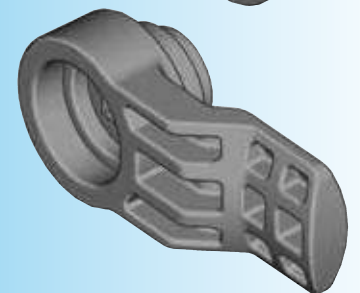
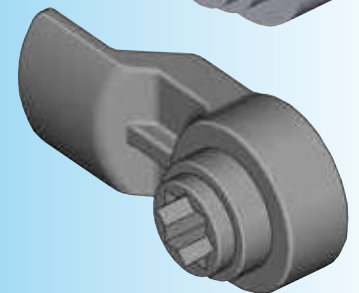
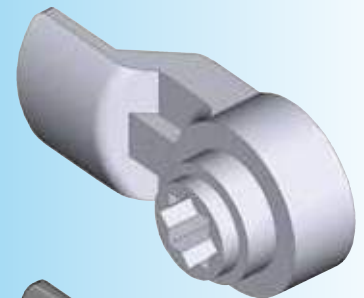
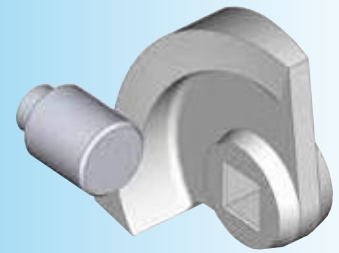
Cam zinc die zinc plated

1091-18

Cam Polyamide GF Black

1091-18-01

Beschlagteile



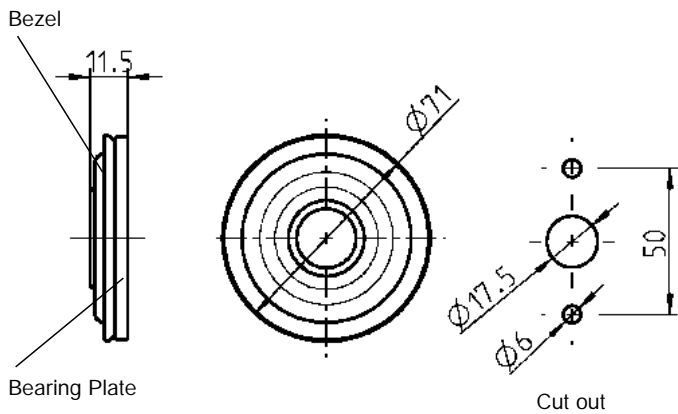
Further parts see page

- Heavy duty latch 10A-120
- 10A-220
- Heavy duty latch, outside the door 10A-420

Accessories for heavy duty latch

PROGRAM 1091

Info
 1 Quarter turns
 2 Rod controls
 3 Locking systems
 4 Hinges
 5 Gasketing
 6 Handles
 7 Aluminium windows
 8 Stainless steel
 9 Latches
 10 Air-conditioning

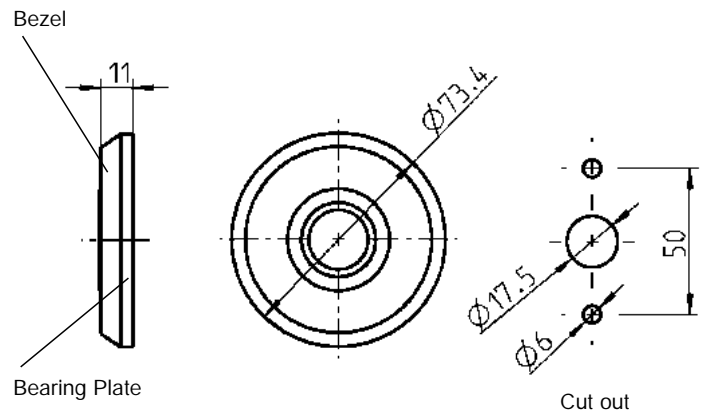


Bezel, m.s. zinc plated

1091-07

Bearing plate, m.s. zinc plated

1091-06

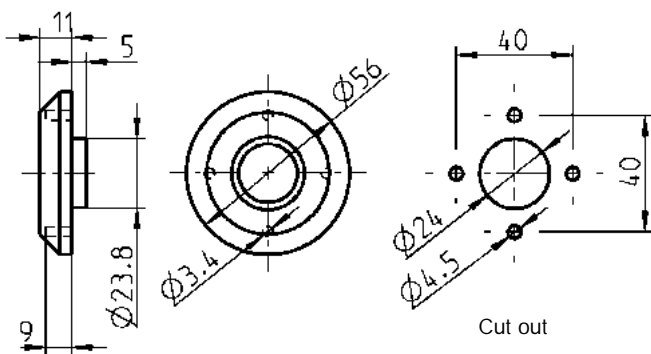


Bezel, polyamide GF black

1091-31

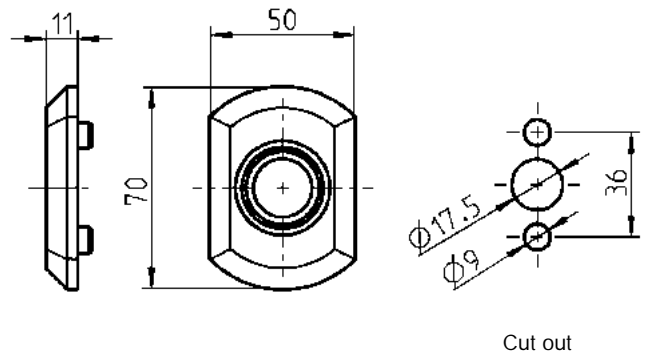
Bearing plate, m.s. zinc plated

1091-06



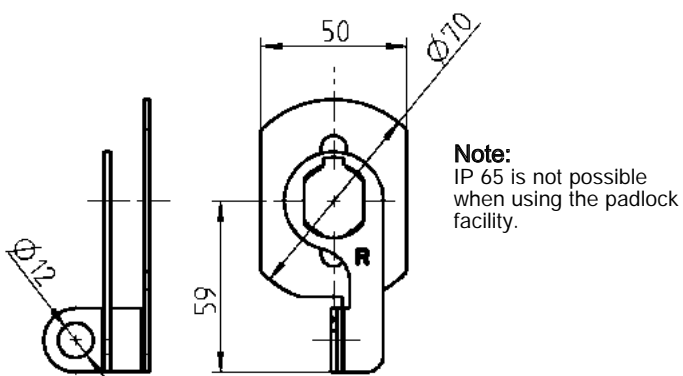
Bezel, polyamide GF black

1091-30



Bezel, polyamide GF black

1091-17



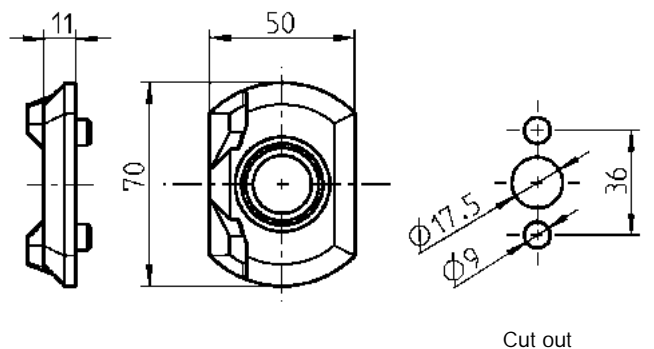
Padlock facility, m.s. black powder coated

RH version

1091-U86

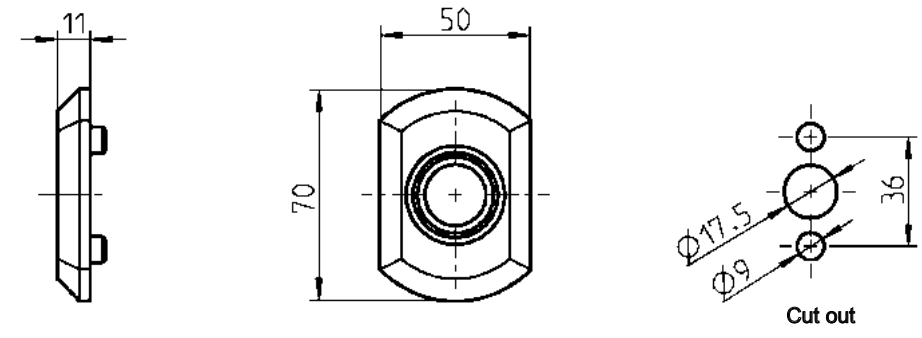
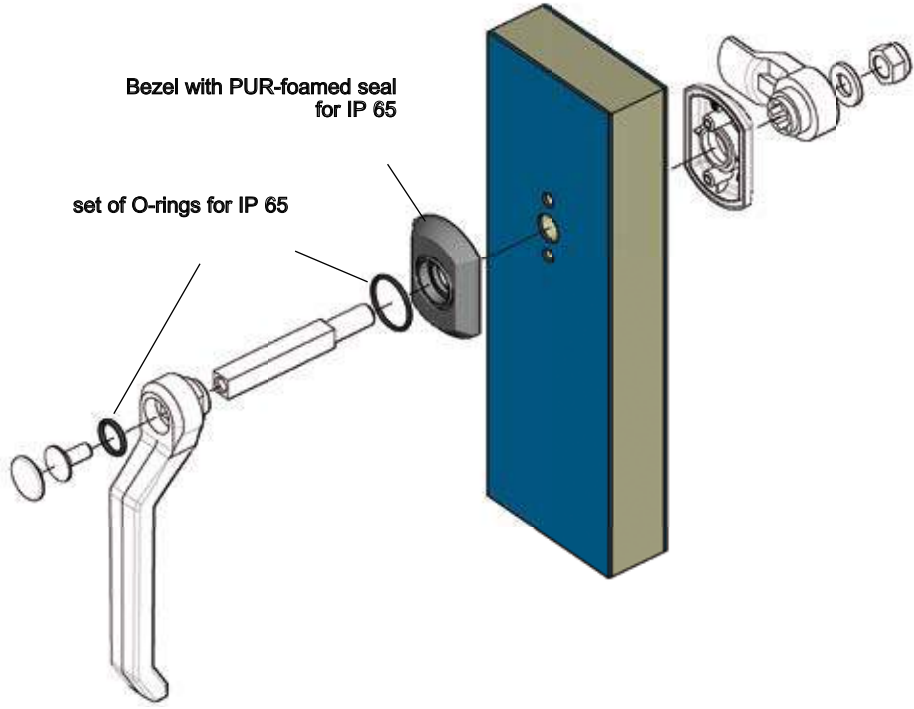
LH version

1091-U87

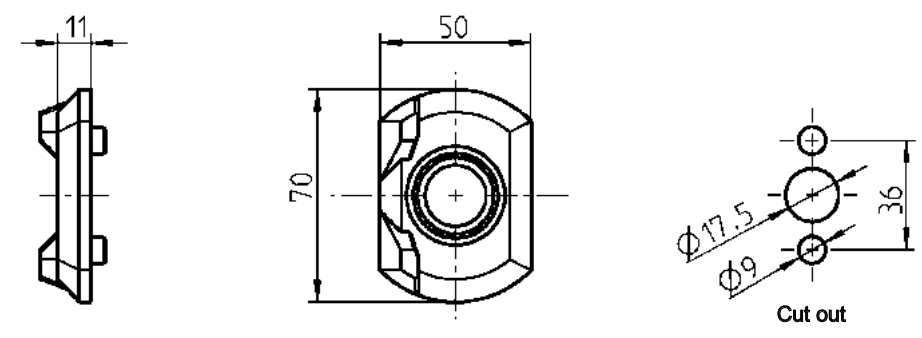


Bezel with dogs, Polyamide GF black

1091-17-01



Bezel with stop dogs, polyamide GF black, with foamed seal	
	1091-17-G
IP 65 with:	
set of O-rings	1091-U90



Bezel with stop dogs, polyamide GF black, with foamed seal	
	1091-17-01G
IP 65 with:	
set of O-rings	1091-U90



Further parts see page
 – Heavy duty latch
 10A-120
 10A-220
 10A-320
 10A-340

Info

1 Quarter turns

2 Rod controls

3 Locking systems

4 Hinges

5 Gasketing

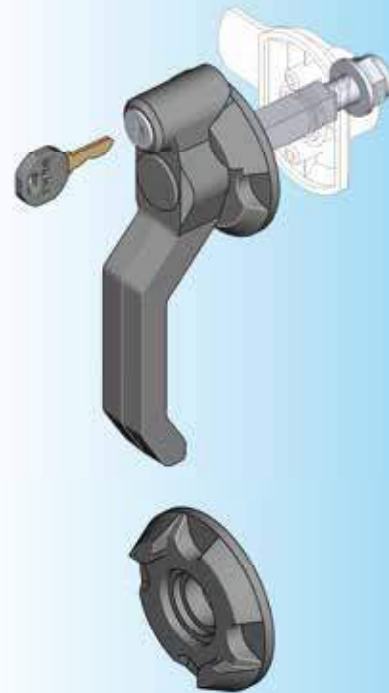
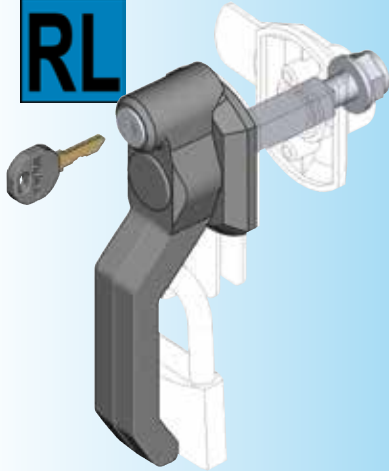
6 Handles

7 Aluminium windows

8 Stainless steel

9 Latches

10 Air-conditioning

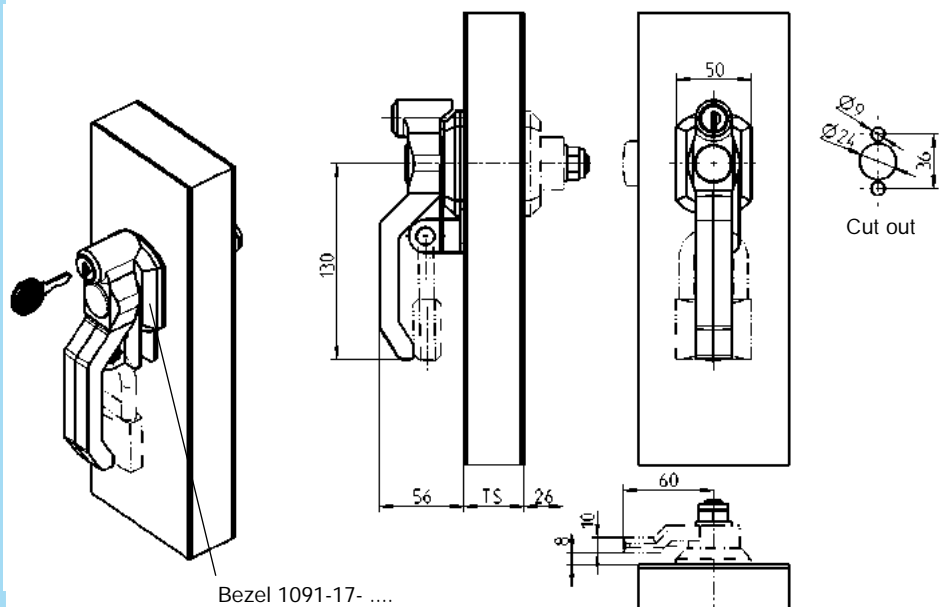


Round bezel with 90°-stopper 1091-97 also suitable for non-locking handles.

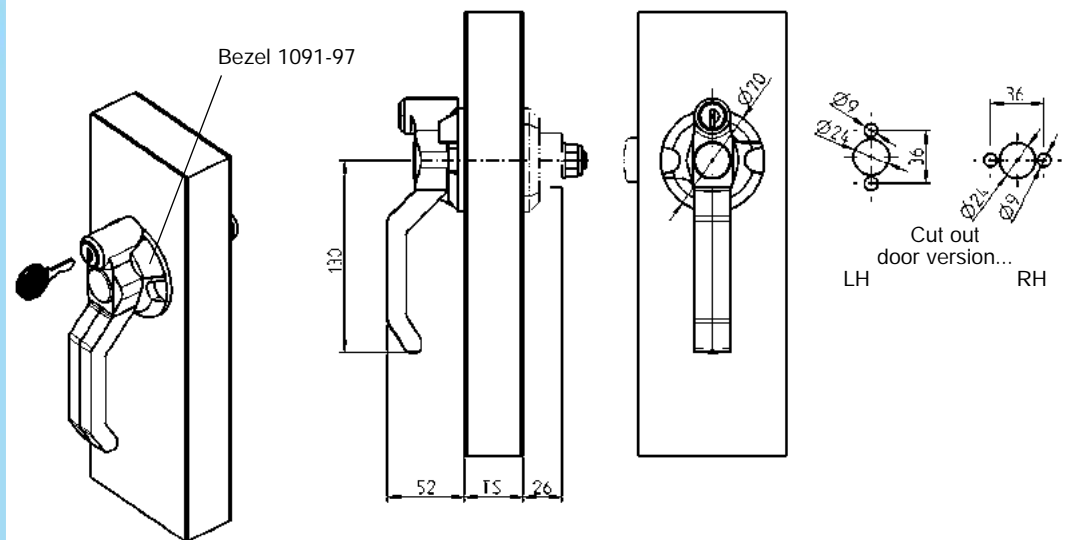
Other inserts available on request

Further parts see page

- Cam 10A-160
- Locking cam 10A-160
- Spacer 10A-140
- Padlock facility 10A-180
- Key 12B-120
- Spare key 12B-140



Bezel 1091-17-



Bezel 1091-97

Handle Polyamide GF black for m.s. shaft, round cylinder zinc die with stainless steel cap and dust cover, insert zinc die chrome plated

Keyed EK 333	1091-U50	Keyed different	1091-U51
Square 7	1091-U52	Square 8	1091-U53
Triangular 8	1091-U54	Double bit 3	1091-U55
Double bit 5	1091-U56	Slot 2 x 4	1091-U57

Bezel Polyamide black for lockable handle

180°-stopper	1091-17-03	90°-stopper, LH	1091-17-04
90°-stopper, RH	1091-17-05	90°-stop, round bezel	1091-97

Shaft m.s., screw, nut M12 and washer A13 m.s. zinc plated, blind plug Polyamide GF black

Ts	20	30	40	50	60	80	100
for cam	1091-U6	1091-U7	1091-U8	1091-U9	1091-U10	1091-U12	1091-U13
for spacer and locking cam	1091-U8	1091-U9	1091-U10	1091-U11	1091-U12	1091-U13	1091-U14

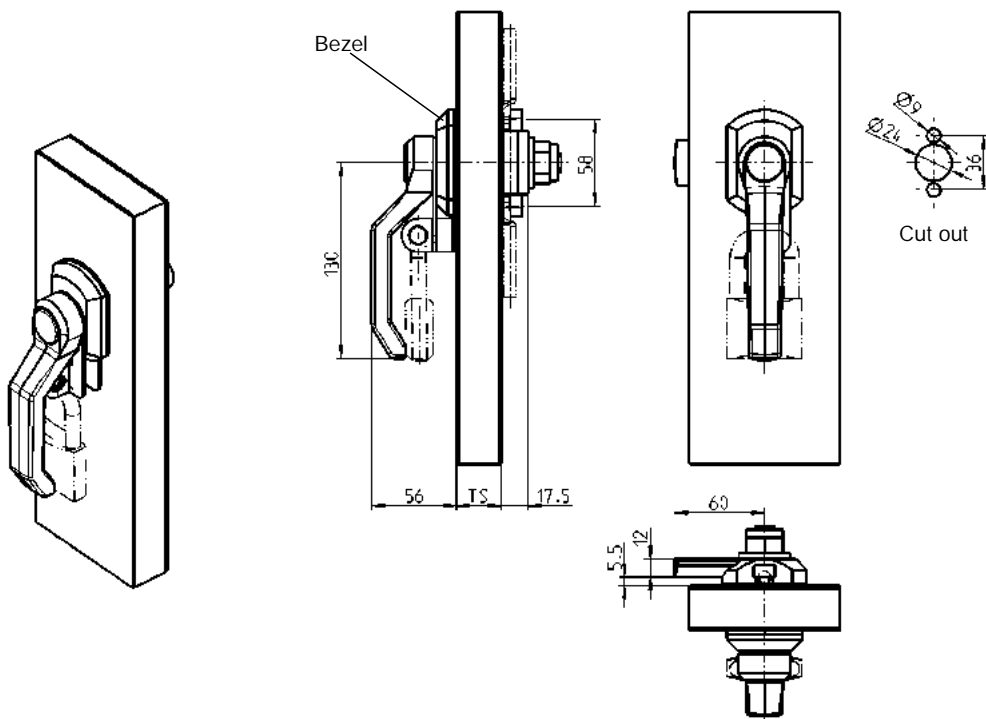
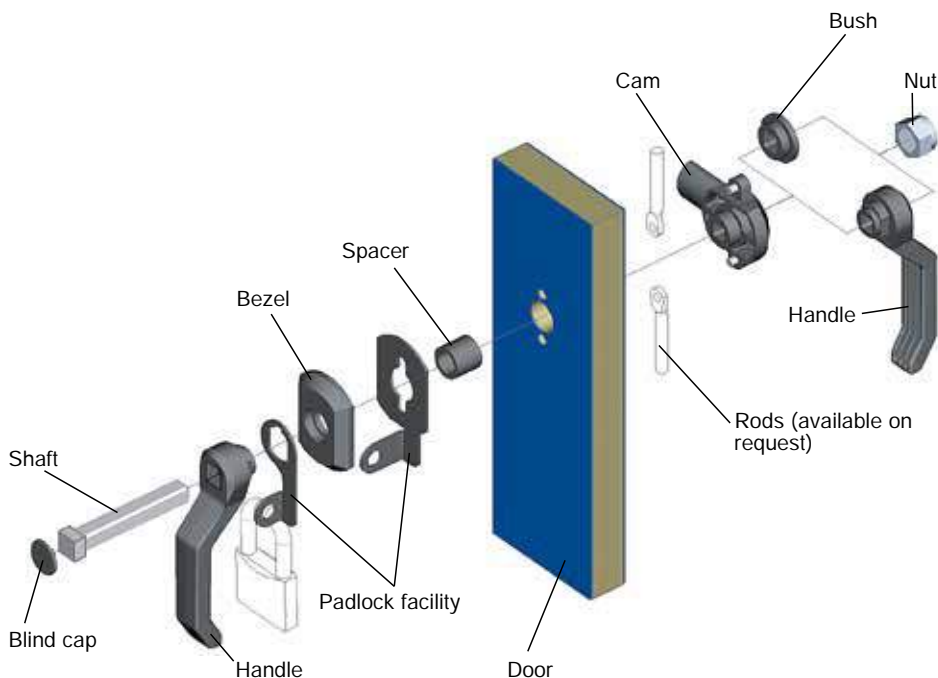
Heavy duty latch with zinc die shaft

PROGRAM 1091

Beschlagteile



Example for arrangement



Attention:
If an internal handle is installed, the maximum door gauge is reduced by 10 mm.

Further parts see page

- Bezel 10A-180
- Padlock facility 10A-180
- Rod on request

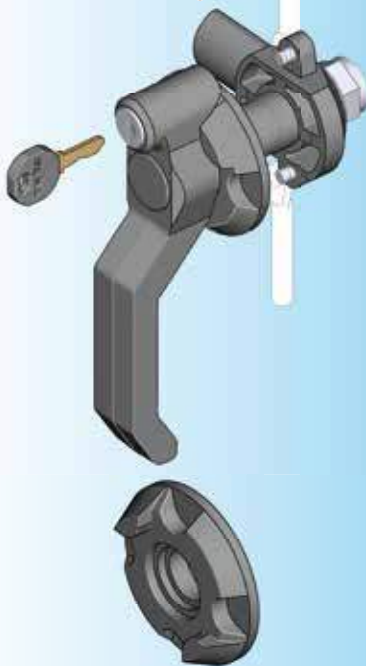
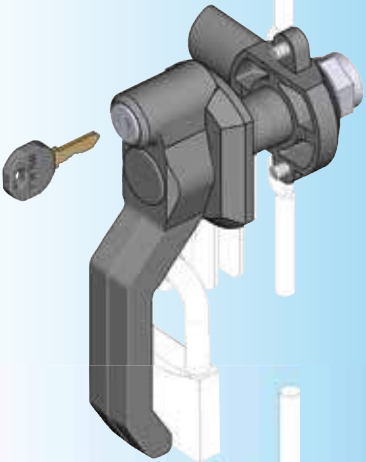
Handle Polyamide GF black (outside and inside)

1091-42

Shaft zinc die, Nut m.s.zinc plated, cam, spacer, bush and blind plug Polyamide GF black

Ts	10 – 30	31 – 50	51 – 70
with single point cam	1091-U80	1091-U81	1091-U82
with 3-point cam	1091-U83	1091-U84	1091-U85

Info
1 Quarter turns
2 Rod controls
3 Locking systems
4 Hinges
5 Gasketing
6 Handles
7 Aluminium windows
8 Stainless steel
9 Latches
10 Air-conditioning



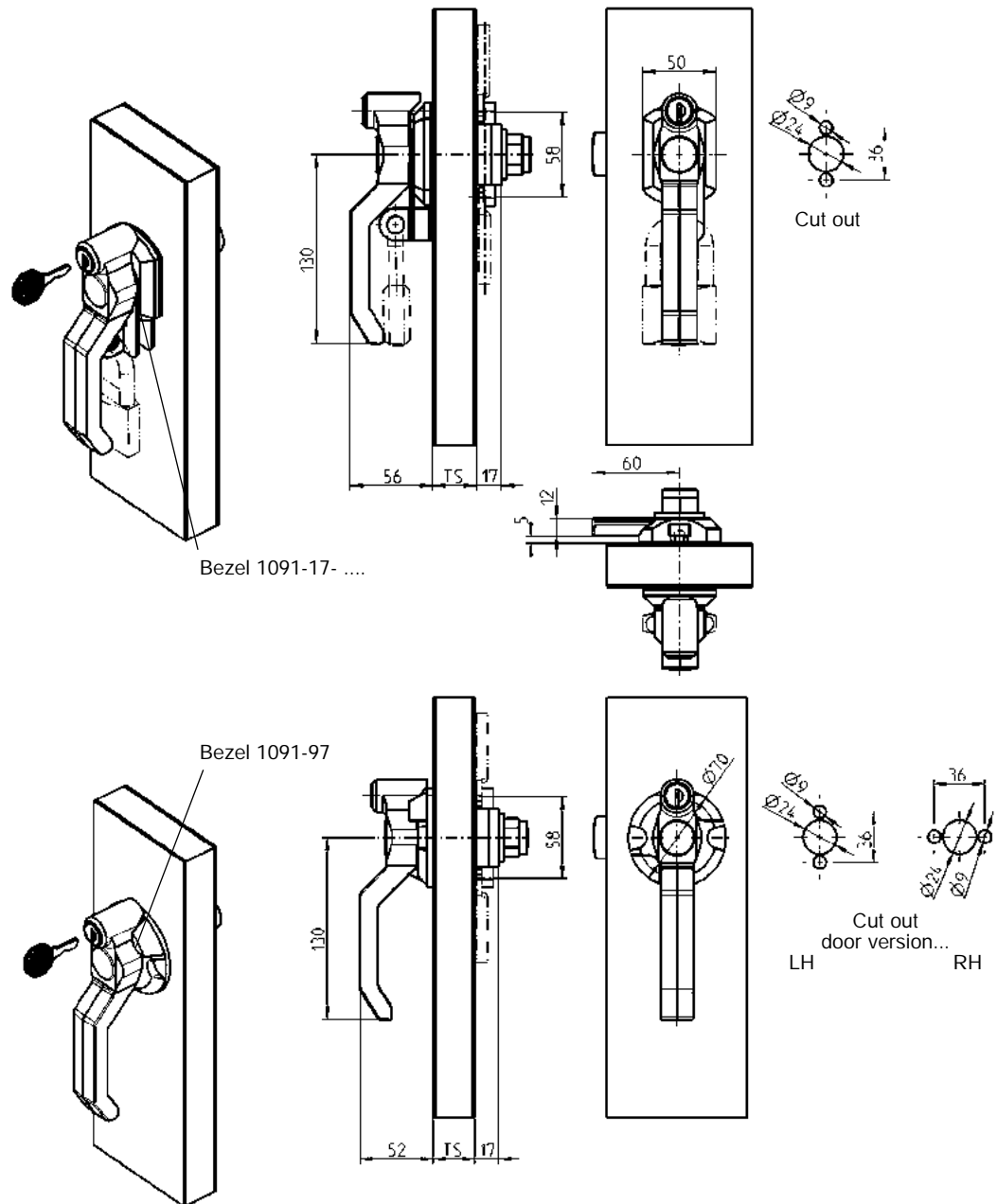
Round bezel with 90°-stopper 1091-97 also suitable for non-locking handles.

Other inserts available on request

Further parts see page

– Padlock facility 10A-180
– Rod on request

– Key 12B-120
– Spare key 12B-140



Handle Polyamide GF black for zinc die shaft, round cylinder zinc die with stainless steel cap and dust cover, insert zinc die chrome plated

Keyed EK 333	1091-U72	Keyed different	1091-U73
Square 7	1091-U74	Square 8	1091-U75
Triangular 8	1091-U76	Double bit 3	1091-U77
Double bit 5	1091-U78	Slot 2 x 4	1091-U79

Bezel Polyamide black for lockable handle

180°-stopper	1091-17-03	90°-stopper, LH	1091-17-04
90°-stopper, RH	1091-17-05	90°-stop, round bezel	1091-97

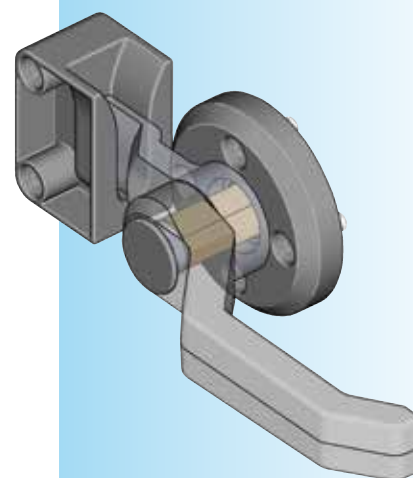
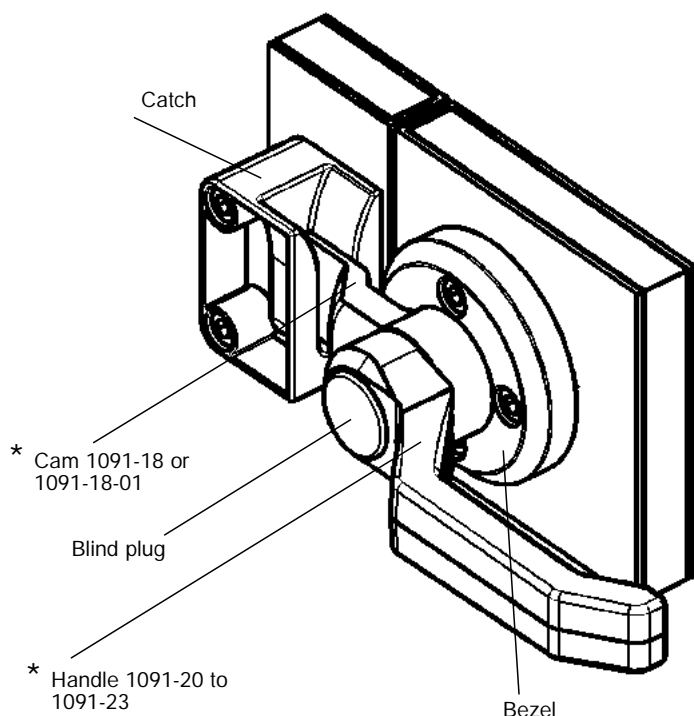
Shaft zinc die, nut M12 m.s., cam, spacer, bush and blind plug Polyamide GF black

Ts	10 – 30	31 – 50	51 – 70
with single point cam	1091-U80	1091-U81	1091-U82
with 3-point cam	1091-U83	1091-U84	1091-U85

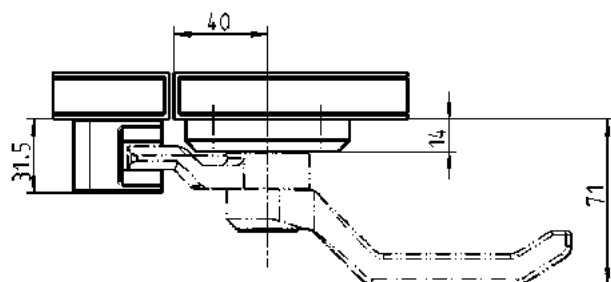
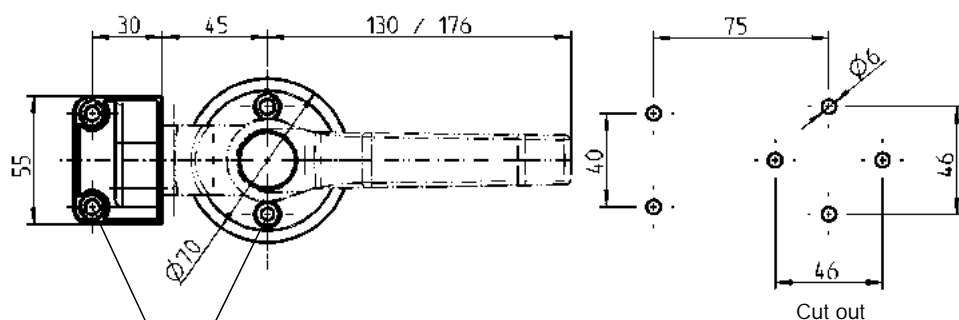
Heavy Duty latch, outside the door

PROGRAM 1091

Beschlagteile



Combination of:
1091-U121; 1091-96,
handle 1091-21 and
cam 1091-18



* must order separately

Bezel and blind plug Polyamide GF black
Shaft brass, fixing m.s. zinc plated

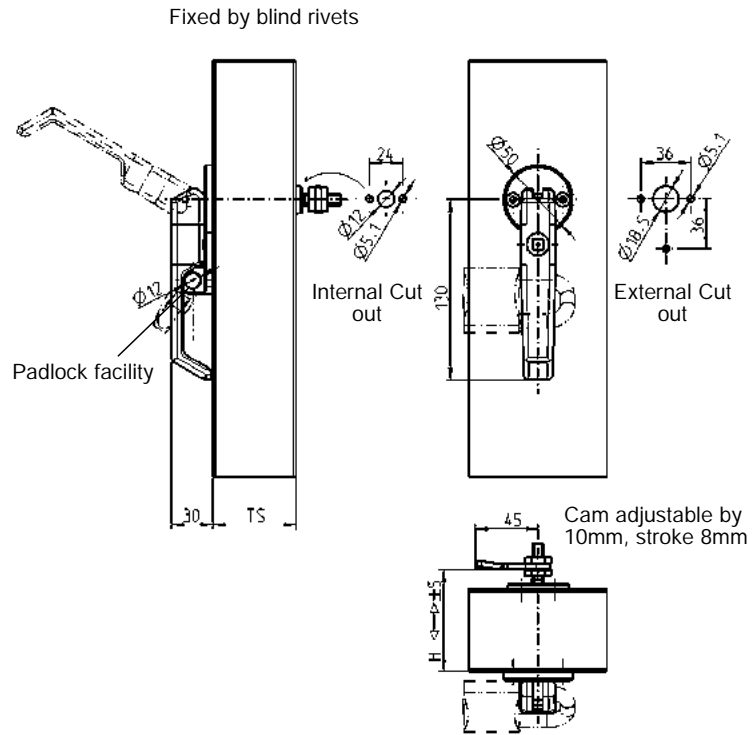
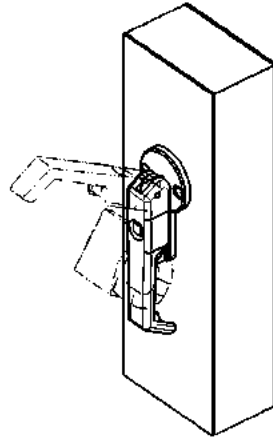
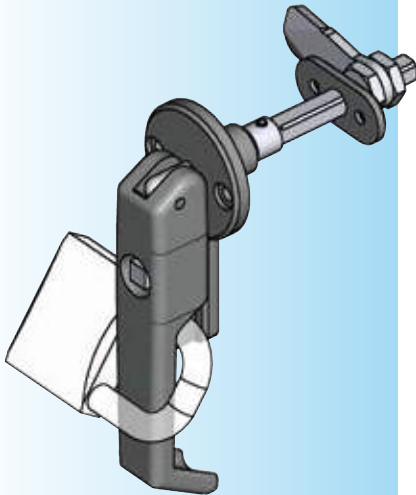
1091-U121

Catch Polyamide GF black

1091-96

Further parts see page

– Outside handle 10A-140
– Cam 10A-160



Lift and turn handle consisting of Handle Polyamide GF black with shaft m.s. zinc plated, back plate zinc die black powder coated, cam for insert m.s. zinc plated, bearing plate zinc die zinc plated, pins and nuts

1091-U95

Cam m.s. zinc plated

straight	1000-203
cranked 10 mm	1000-392
cranked 20 mm	1000-391
cranked 30 mm	1000-390

Insert zinc die chrome plated

Square 6	1121-U11	Double bit 5	1121-U17
Square 7	1121-U12	Daimler Benz	1121-U18
Square 8	1121-U13	Slot 2 x 4	1121-U123
Triangular 7	1121-U14	Eastern European 13 mm dia	1121-U143
Triangular 8	1121-U15	Blind plug	1091-83-AA
Double bit 3	1121-U16	Assembly	1000-990

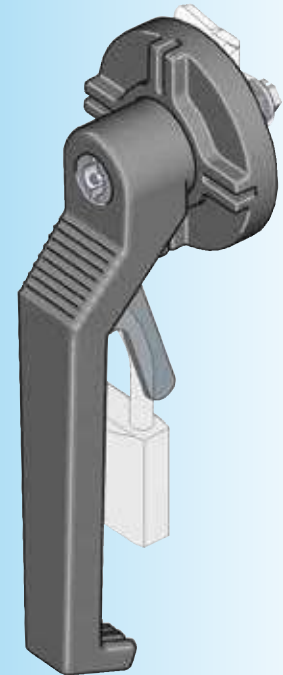
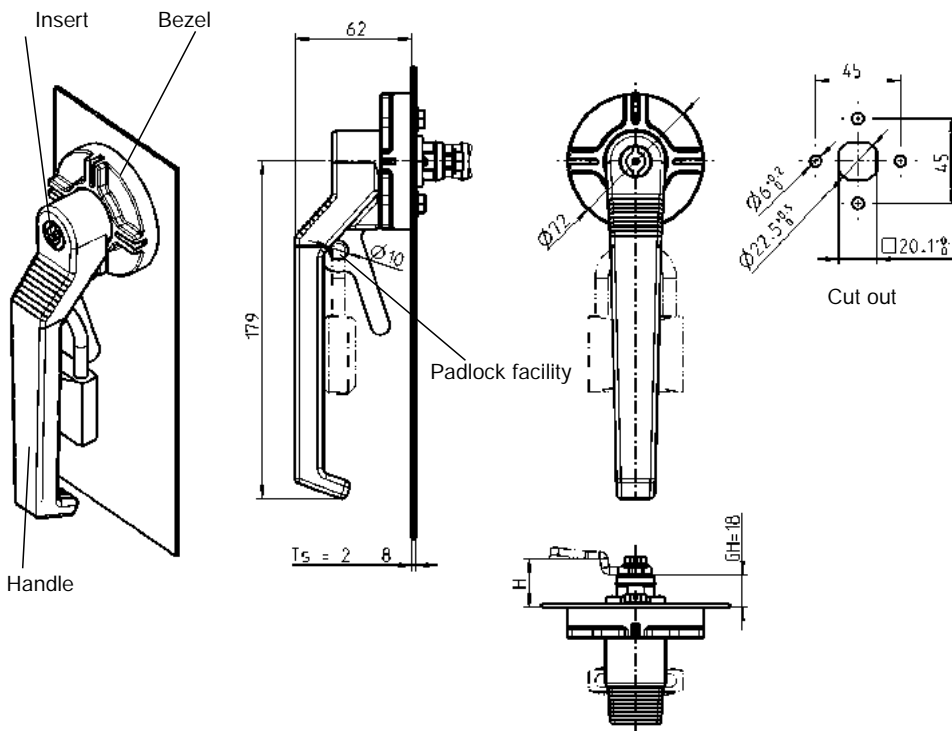
Shaft m.s. zinc plated (to be pinned to the handle boss)

Ts max.	H-dim. depends on the cam				
	1000 - 390	1000 - 391	1000 - 392	1000 - 203	
40	20 - 30	30 - 40	40 - 50	50 - 60	1091-59-01
60	40 - 50	50 - 60	60 - 70	70 - 80	1091-59-02
80	60 - 70	70 - 80	80 - 90	90 - 100	1091-59-03
100	80 - 90	90 - 100	100 - 110	110 - 120	1091-59-04
120	100 - 110	110 - 120	120 - 130	130 - 140	1091-59-05
140	120 - 130	130 - 140	140 - 150	150 - 160	1091-59-06

Further parts see page
- Key 12B-120

Heavy duty latch PROGRAM 1091

Beschlagteile



Insert is spring loaded

Other inserts available on request

Further parts see page

– Cam with catch (GH=18)

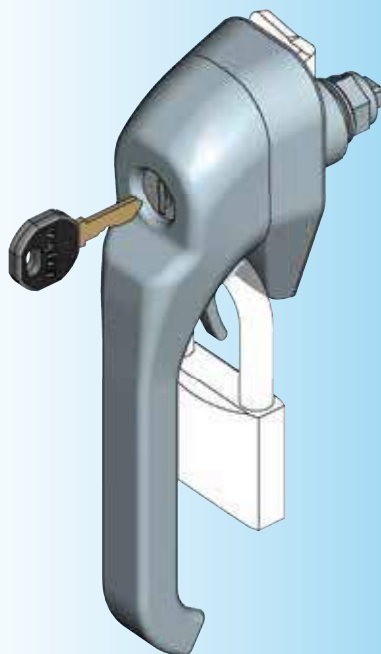
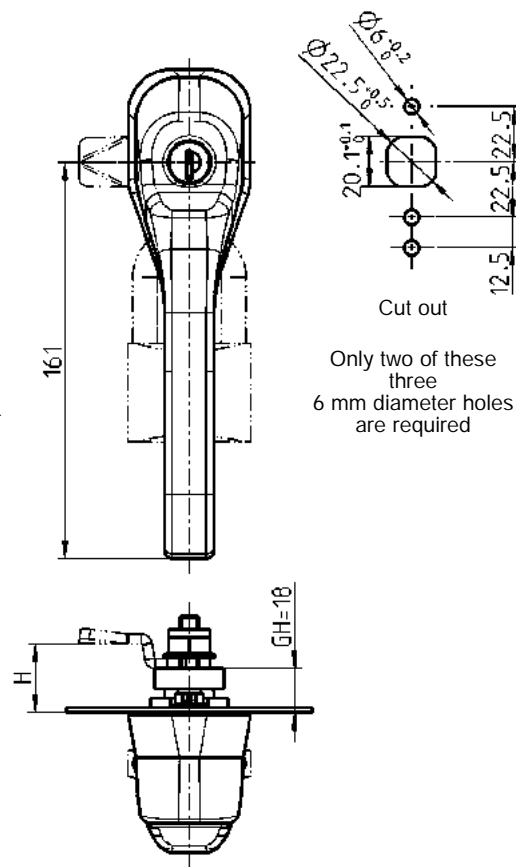
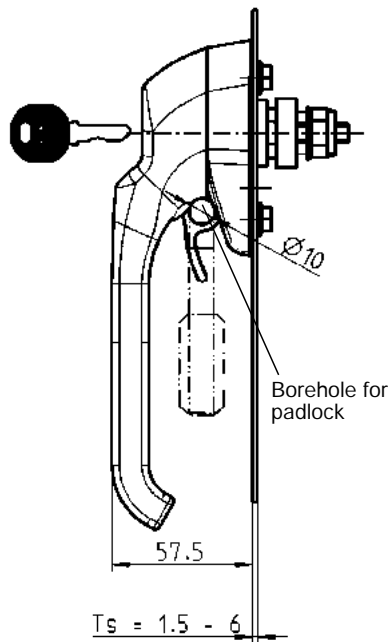
- Ramp up to 1C-120
- Key 1C-160
- Spare key 12B-120
- 12B-140

Handle zinc die black p.c., insert zinc die chrome plated, round cylinder with stainless steel cap and dust cover, padlock facility stainless steel

without insert	1091-U99	Slot 2 x 4	1091-U108
Double bit 3	1091-U105	keyed EK 333	1091-U110
Slot 1,2 x 3	1091-U109	keyed different	1091-U111

Bezel zinc die black p.c., earthing nut m.s. zinc pl., with seal

LH version	1091-U112
RH version	1091-U113



Handle zinc die black p.c., round cylinder with stainless steel cap and dust cap, insert and lever zinc die chrome plated, stop plate zinc die zinc plated, fixing material m.s. zinc plated. Each round cylinder has one key of nickel silver with polyamide grip GF black

spring-loaded

without insert	1091-U122	Triangular 8	1091-U131
Keyed EK 333	1091-U123	Double bit 3	1091-U132
Keyed different	1091-U124	Double bit 5	1091-U133
Square 6	1091-U125	Hexagon female 8	1091-U134
Square 7	1091-U126	Hexagon female 10	1091-U135
Square 8	1091-U127	Square female 8	1091-U136
Square 8 slotted	1091-U128	Slot 2 x 4	1091-U137
Triangular 6.5 CNOMO	1091-U129	Daimler Benz	1091-U138
Triangular 7	1091-U130	Eastern Europe Ø13 half round	1091-U139

not spring-loaded

Keyed EK 333	1091-U140	Keyed different	1091-U141
--------------	-----------	-----------------	-----------

Heavy duty latch AISI 316,

round cylinder with stainless steel cap and dust cap zinc die chrome plated
Each round cylinder has one nickel silver key with polyamide grip GF black.

spring-loaded

without insert	1091-U142	Keyed different	1091-U142-03
Keyed EK 333	1091-U142-02	Slot 2 x 4	1091-U142-01

Further parts see page

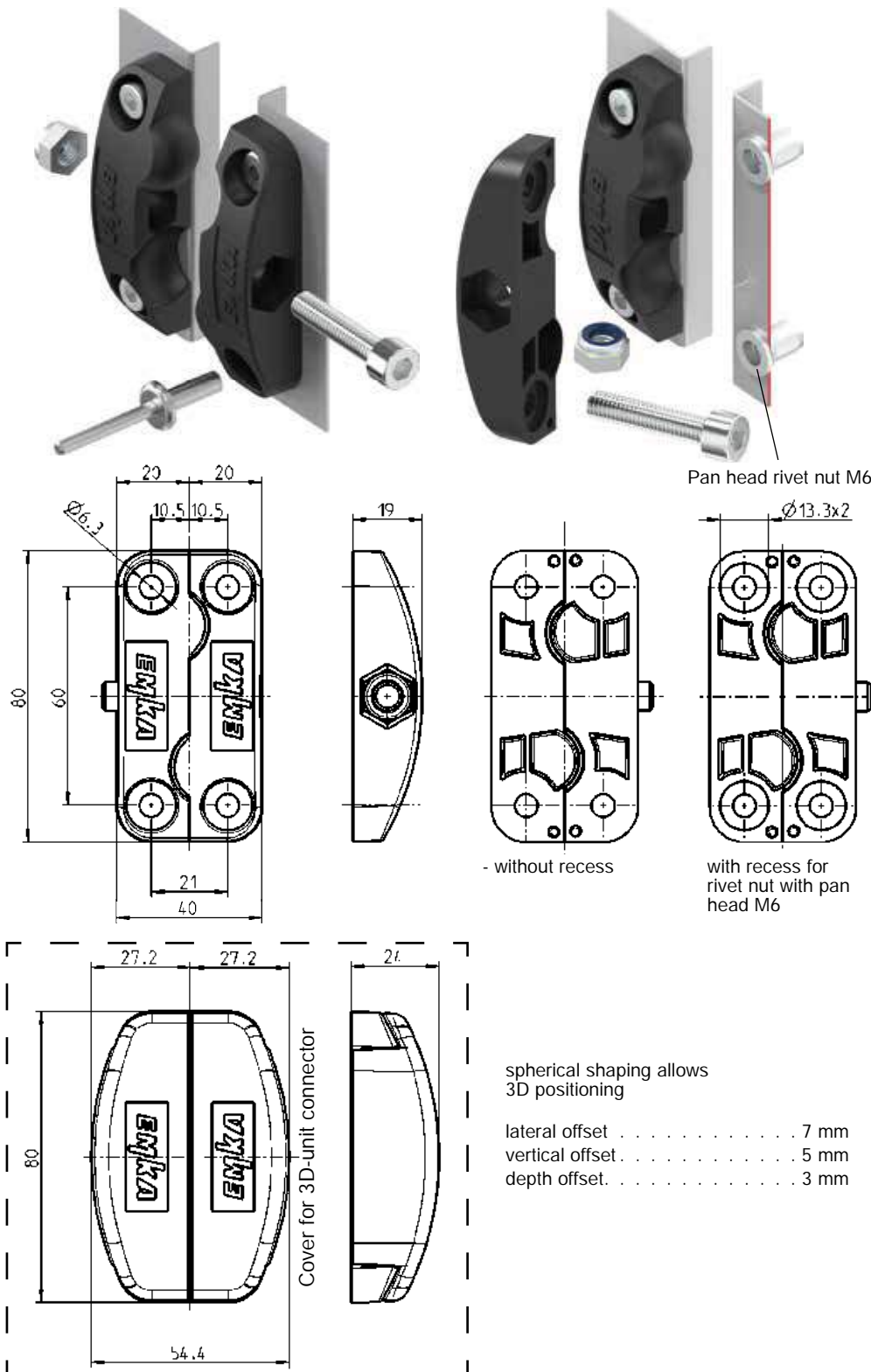
- Cam with catch (GH=18) 1C-120 to 1C-160
- Guiding ramp 1C-170
- Key 12B-120
- Spare key 12B-140

3D-unit connector

PROGRAM 1076

3D-unit connector

- without recess = for cylinder screw M6 DIN EN ISO 4762 and washer 6 DIN EN ISO 7089 / 7090 or blind rivet with pan head DIN EN ISO 15973
- with recess = for cylinder screw M6 DIN EN ISO 4762 and washer 6 DIN EN ISO 7089 / 7090



3D-unit connector polyamide 66 GF 50 black;
safety nut M8 and socket head screw M8x35 m.s. zinc plated

- without recess	1076-U14
- with recess	1076-U15

Cover polyamide black for 3D-unit connector

2-part	1076-U16
--------	----------



Note:
 3D-unit connector
 without fixing material



Pull

PROGRAM 1091

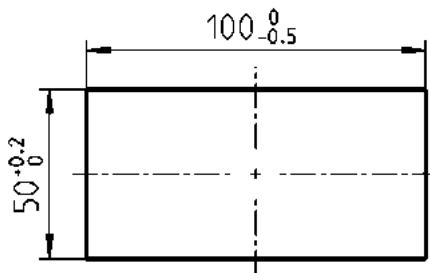
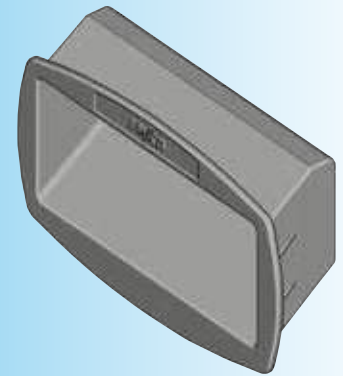
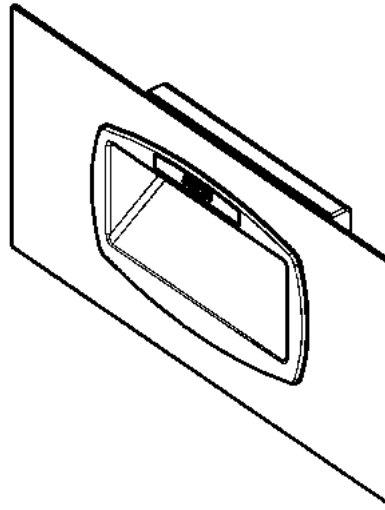
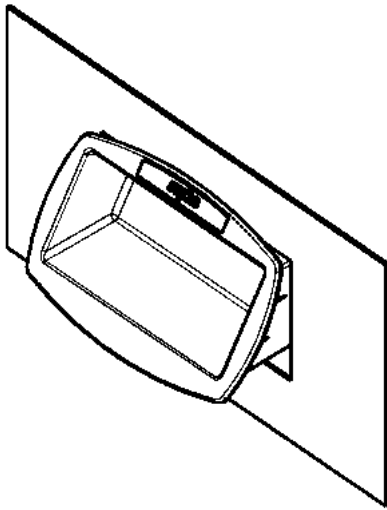
Beschlagteile

RL



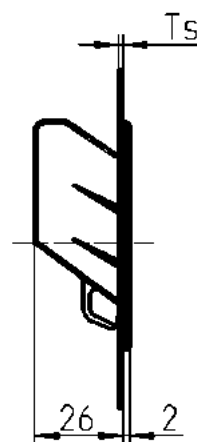
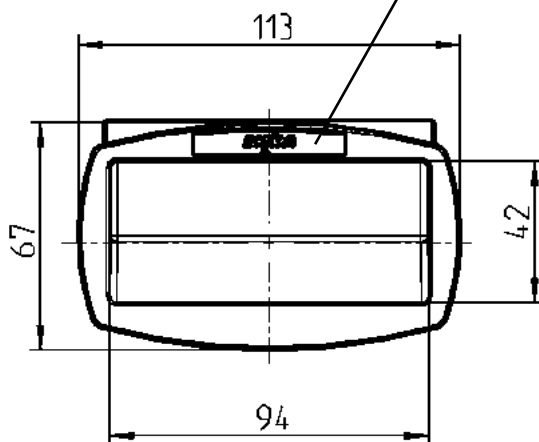
Pull can be clipped into cut out

Ready for operating



Cut out

* Logo field 50 x 8.5 mm (middel, outside 6.8) x 0.3
Pad Printing multicolour print possible



Pull Polyamide black

Ts 0.80 - 1.2 mm	1091-93
Ts 1.20 - 1.6 mm	1091-91
Ts 1.75 - 2.2 mm	1091-92

Assembly

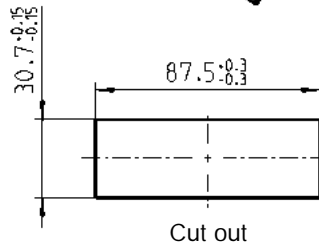
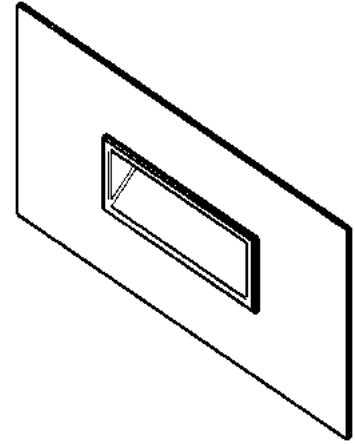
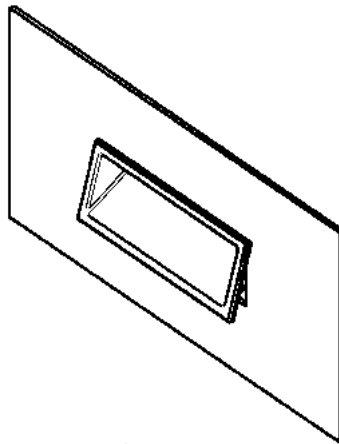
The pull is fitted with clips that automatically snap in behind the door part.

Pull PROGRAM 1091

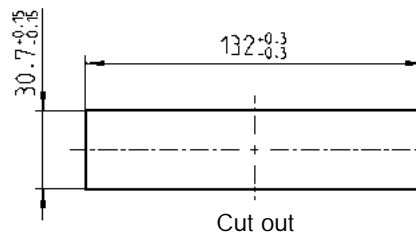
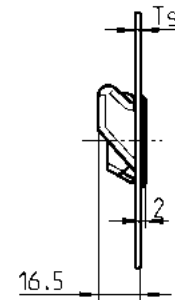
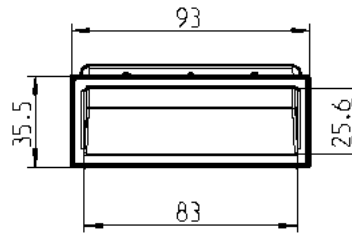


Press pull into cut out

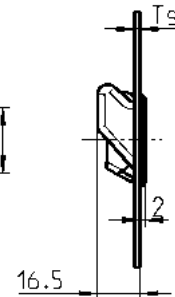
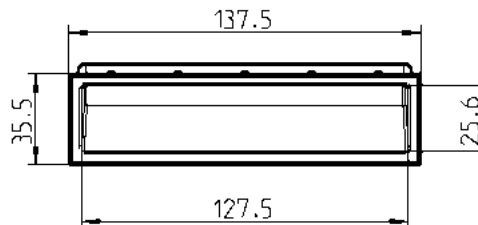
Ready for operating



Version A



Version B



Product benefits

- cost savings due to quick mounting without tools
- escutcheon automatically clicks into place behind the door leaf
- corrosion-resistant of PA6 GF30

Assembling:

The pull is fitted with clips that automatically snap in behind the door part.

Pulls for other door thickness on request

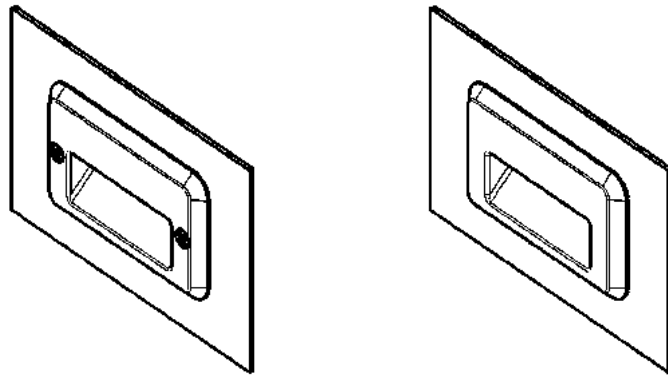
Pull Polyamide GF Black

	Version A	Version B
Ts 0.80 - 1.2 mm	1091-103-01	1091-109-01
Ts 1.20 - 1.6 mm	1091-103-02	1091-109-02
Ts 1.75 - 2.2 mm	1091-103-03	1091-109-03

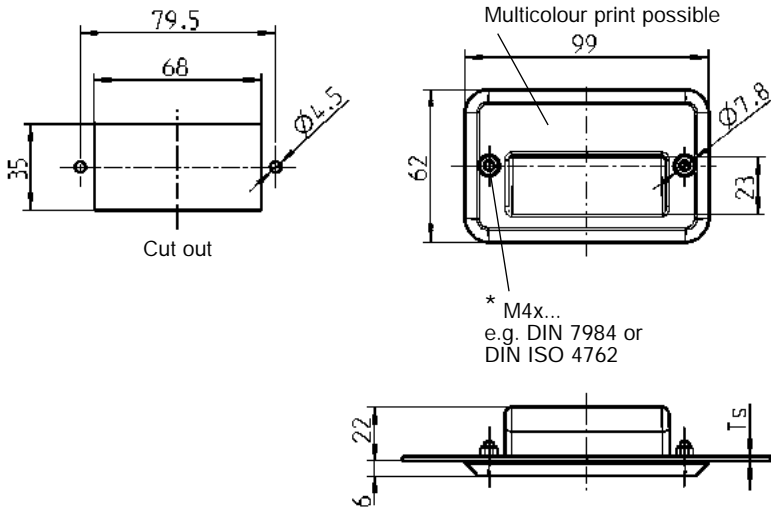
Pull
PROGRAM 1091

Beschlagteile

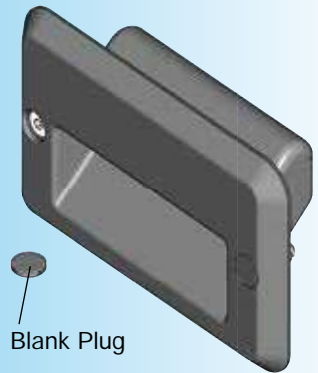
RL **IP 54** **IP 65**



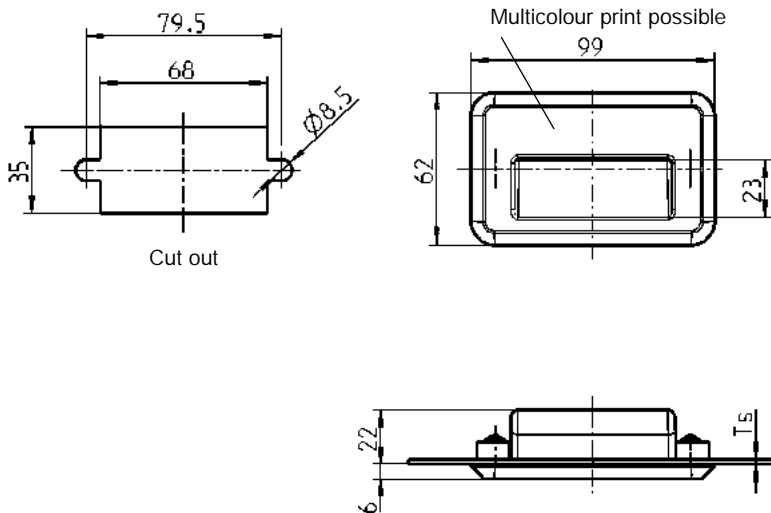
Version A



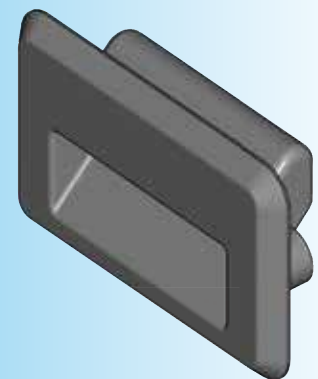
Version A



Version B



Version B



Pull polyamide GF black, with seal

Version B clip polyamide GF black, fixing material m.s. zinc pl.

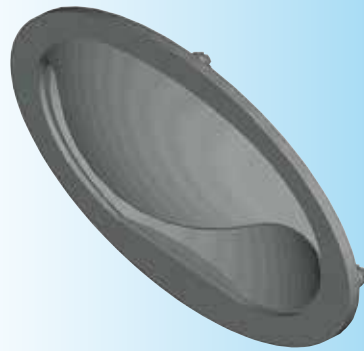
Version A	IP 54	Ts 0.8 - 7	1091-105
Version B	IP 65	Ts 0.8 - 3 **	1091-U144

Plug polyethylene black for version A

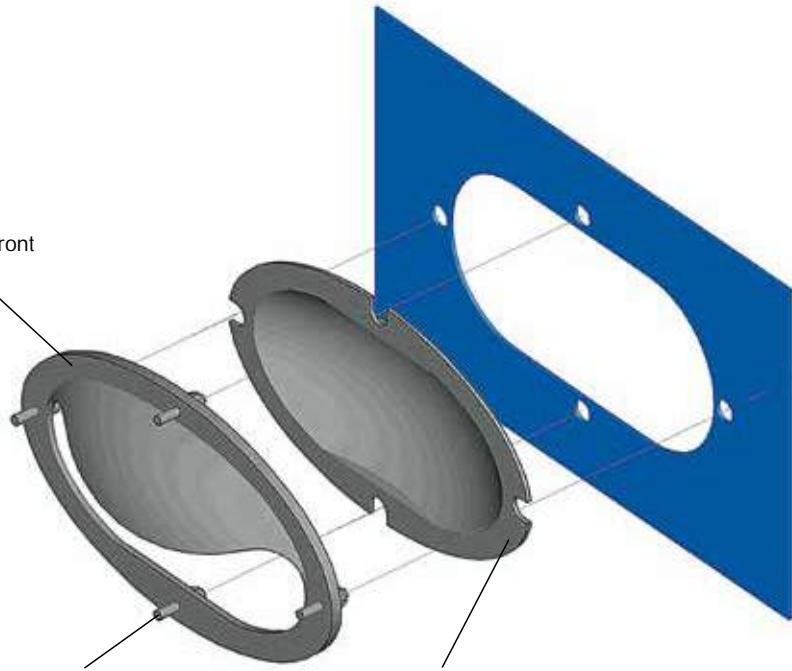
(2 plugs are needed per pull)			1091-106
-------------------------------	--	--	----------

* not included

** other door thickness on request

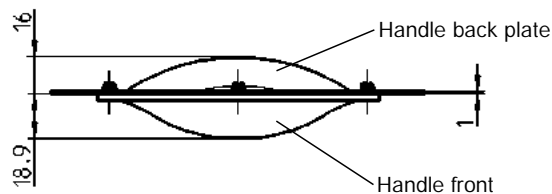
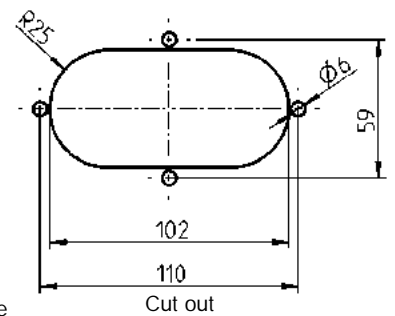
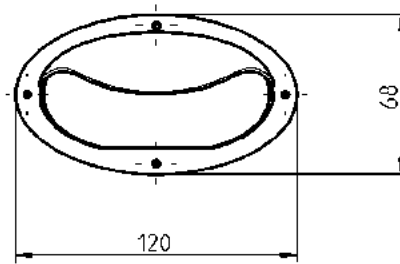


Handle front



Fastening bolt

Handle back plate



Pull Handle Polyamide GF black

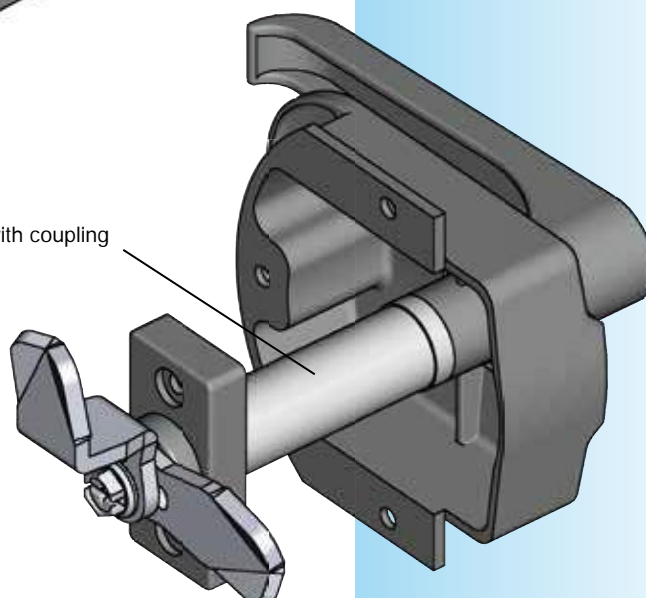
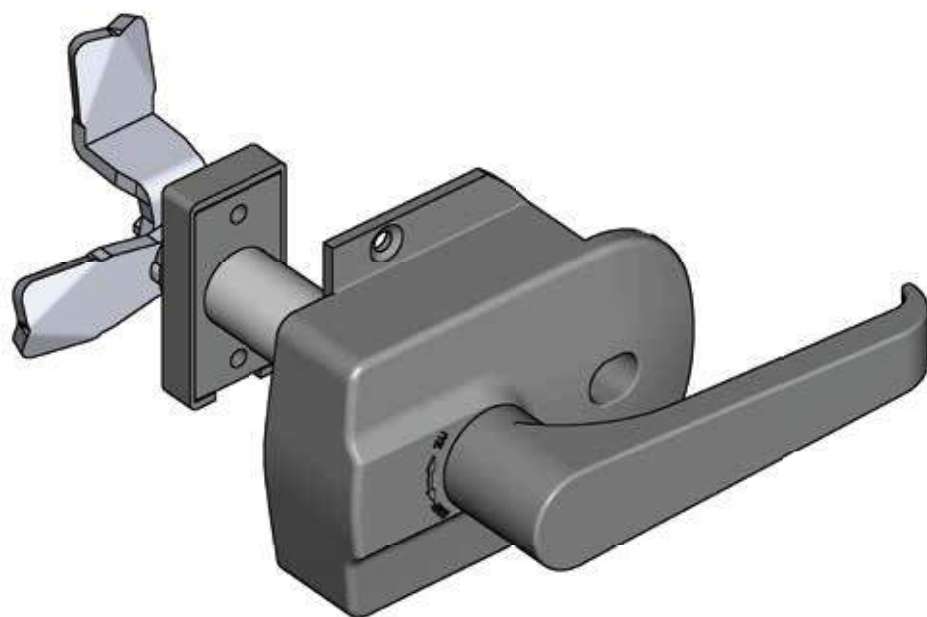
1091-U97

Surface mounted door lock with 2 step opening for pressure relief

PROGRAM 1000



Example

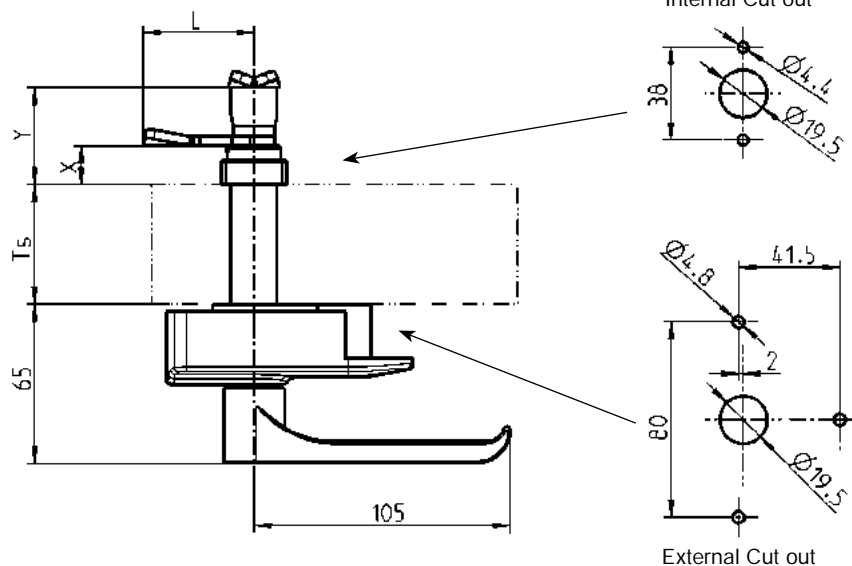


Square shaft with coupling

Combination of articles according to customers' request.

The T_s dimension of square shaft and spacer piece is defined exactly according to customers's request.

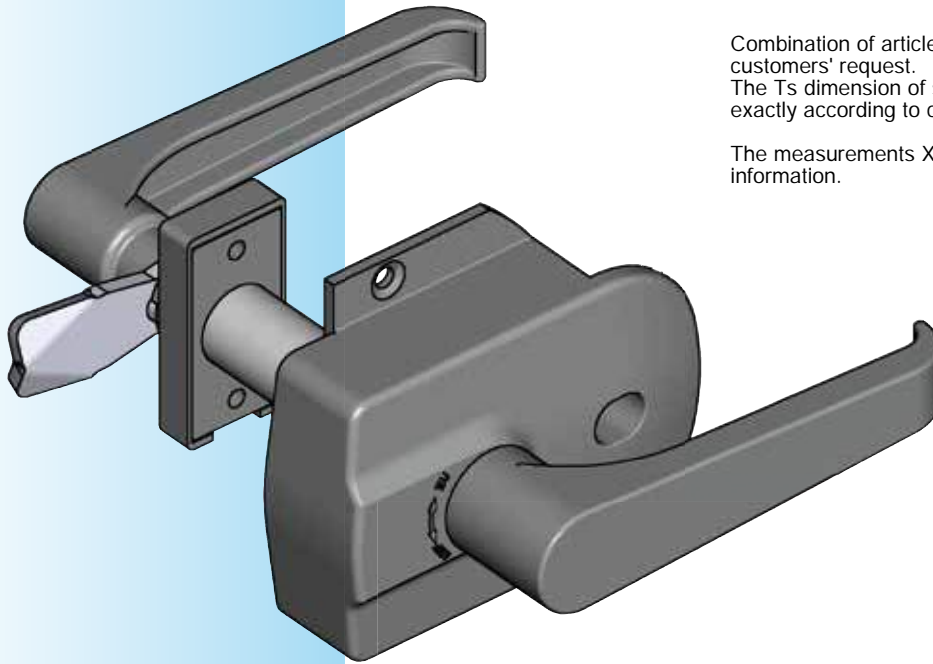
The measurements X and L are fixed according to customer information.



Attention:
Measurements T_s , X and L are specified according to customer information

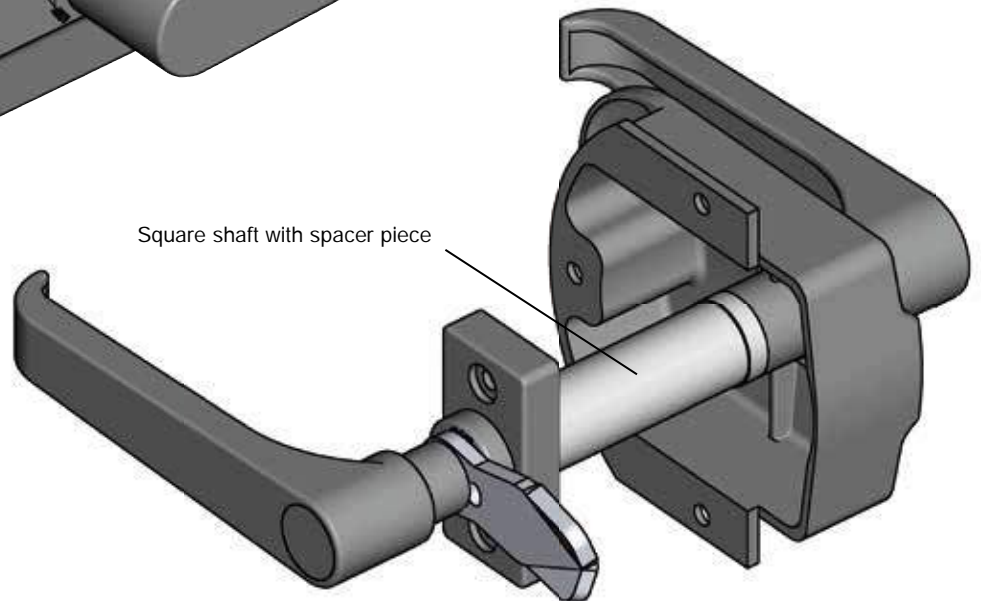


Example

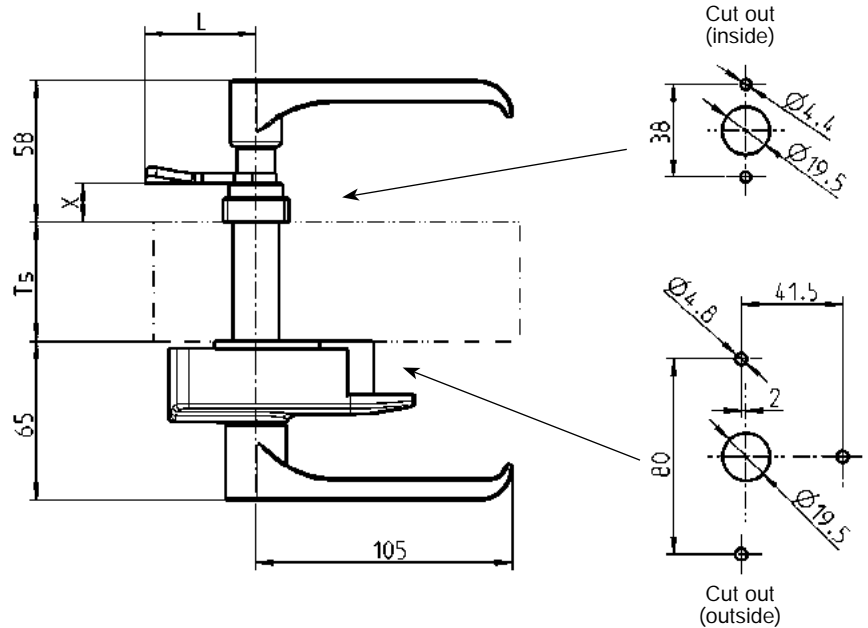


Combination of articles according to customers' request.
The Ts dimension of square shaft and spacer piece is defined exactly according to customers's request.

The measurements X and L are fixed according to customer information.

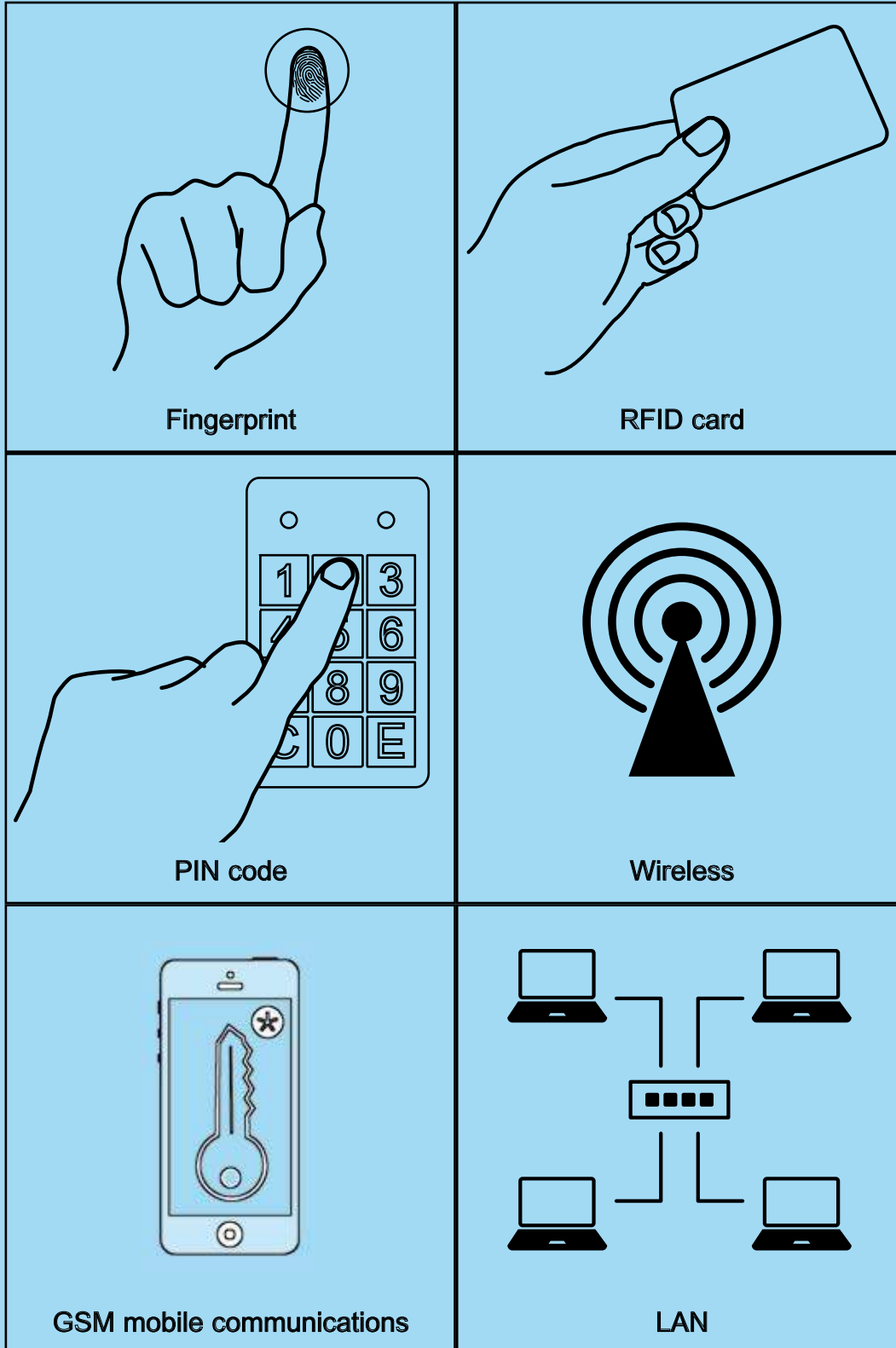


Attention:
Measurements Ts, X and L are specified according to customer information



Electronic Locking & Monitoring Systems

Control technologies for secure access





The ever-increasing requirements on a modern IT infrastructure demand a maximum of physical security. Following this trend EMKA offers, besides the established mechanical locking solutions, electromechanical handle systems with the matching hardware and software components for access control as well as the control, surveillance and analysis of security-relevant processes around the rack management.

Due to the comprehensive and constantly expanding solutions in this sales segment, EMKA has decided to create a separate catalogue for this product area. This gives EMKA the opportunity to have the printed matter updated promptly and to inform the customer about the new developments as quickly as possible.

The EMKA Electronics catalog includes the following chapter:

EMKA Electronics

- 11A..... Rack Management Systems:
 - electromechanical locks
 - Access control and cabinet monitoring by LAN; WLAN and NFC solutions
 - Units, sensors, software, accessories
- 11B..... Stand-alone solution:
 - electromechanical locking systems
 - Accessories

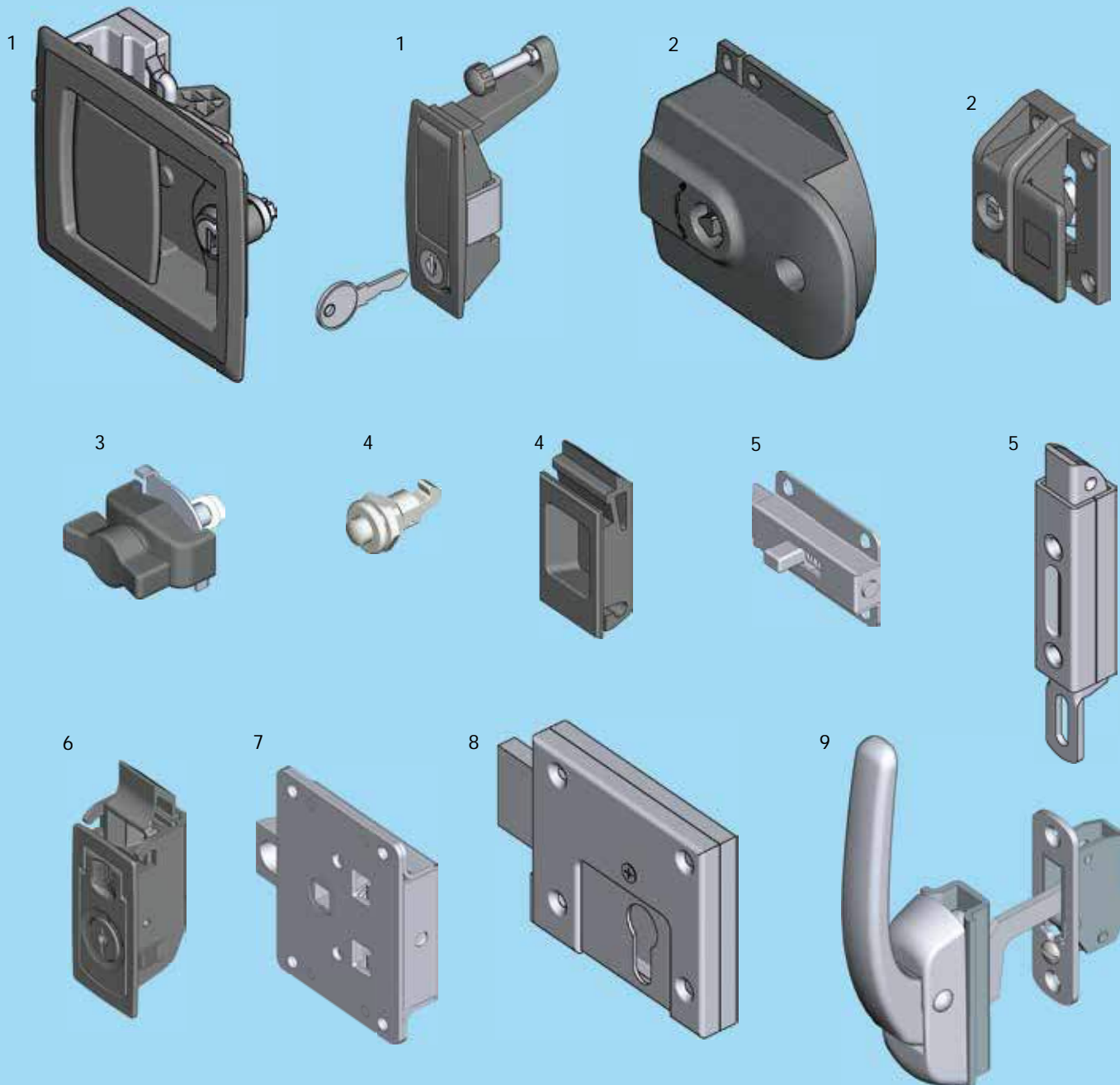
You can request the catalogue via the well-known sales channels in print or download a pdf file in the download area Electronics of the EMKA website under the following address:

https://www.emka.com/de_en/electronics



Locks/Latches

Lock, retractable handle, dead-bolt lock, slam-lock, snap lock, bridge clamp



- | | | |
|---|---------------------|--------------------|
| 1 | Retractable handle | 12A-120 to 12A-160 |
| 2 | Door lock | 12A-220 to 12A-240 |
| 3 | Bridge clamp system | 12A-620 |
| 4 | Snap lock | 12A-240, 12A-420 |
| 5 | Slam-lock | 12A-320, 12A-340 |
| 6 | Side panel latch | 12A-440 |
| 7 | Slam-lock | 12A-320 |
| 8 | Dead-bolt lock | 12A-520 |
| 9 | Heavy duty latch | 12A-820 |

12A-100

Info

1 Quarter turns

2 Rod controls

3 Locking systems

4 Hinges

5 Gasketing

6 Handles

7 Aluminium windows

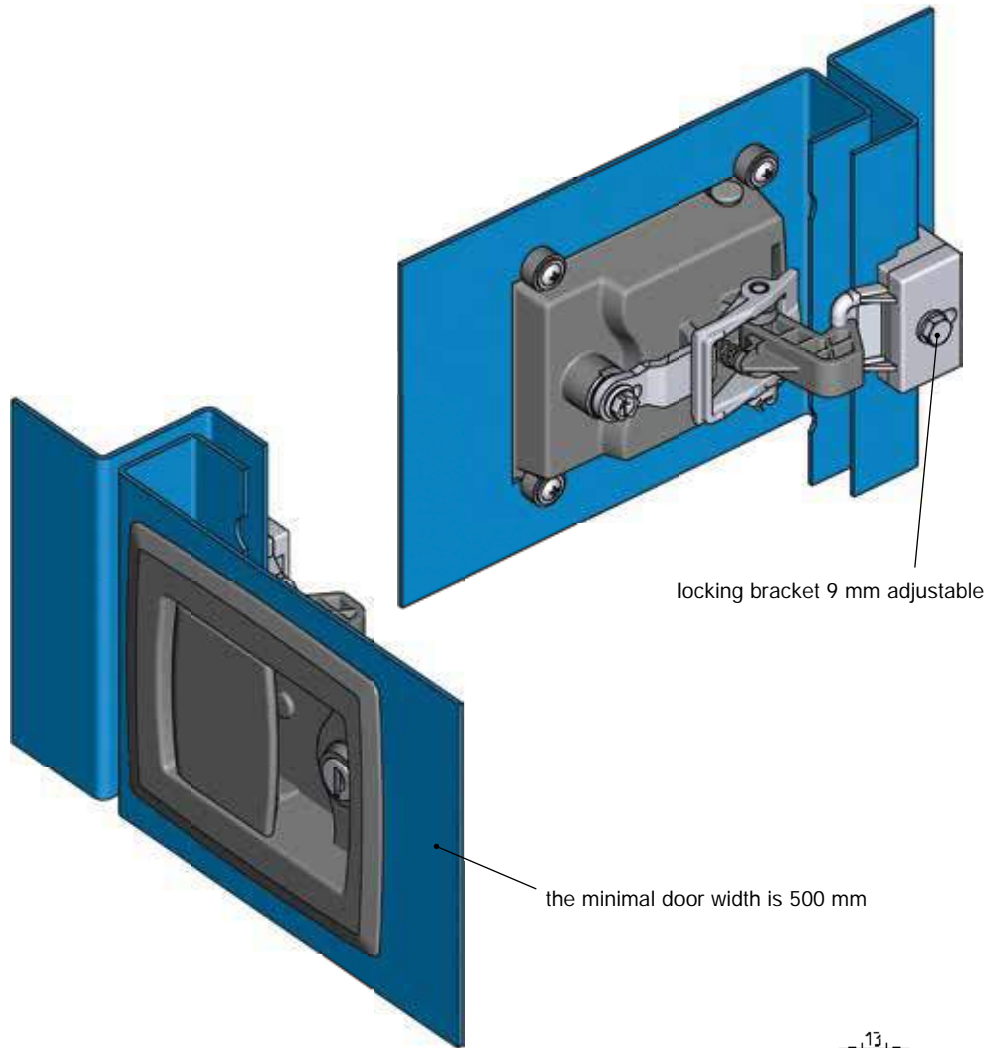
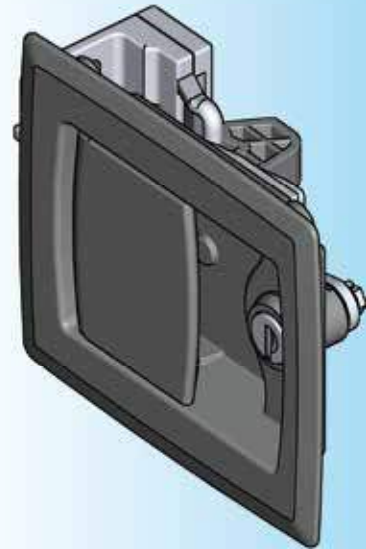
8 Stainless steel

9 Latches

10 Air-conditioning

11 EMKA Electronics

12 Miscellaneous

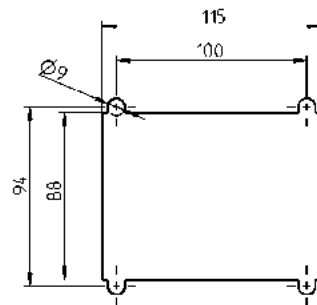


locking bracket 9 mm adjustable

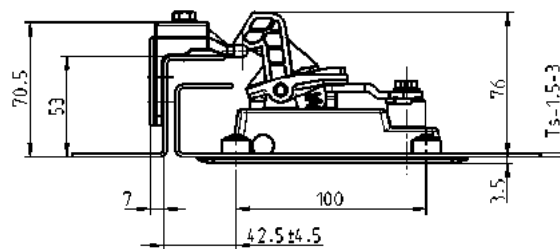
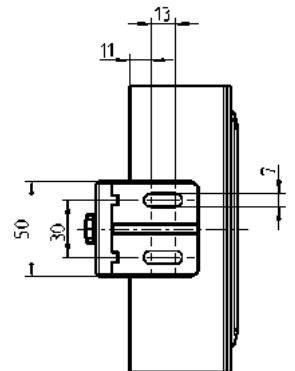
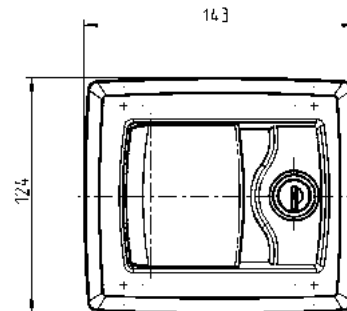
the minimal door width is 500 mm

Note:
The Version 1130-U1 and -U2 are made for RH use by default.

Version for LH use is created by removal of the round cylinder rotating 180° and refitting.



Cut out



Function:
The spring-loaded locking hook is equipped with a "door-slam" effect. Thereby door can also be closed when locked.

Hinged pattern handle polyamide GF black, compensator and lock catch zinc die zinc pl., round cylinder zinc die with stainless steel cap and dust cap, springs stainless steel, cam and fastening material m.s. zinc pl., with seal
Each round cylinder has one silver steel key with polyamide grip GF black.

Further parts see page
– Spare key 12B-140

keyed EK 333

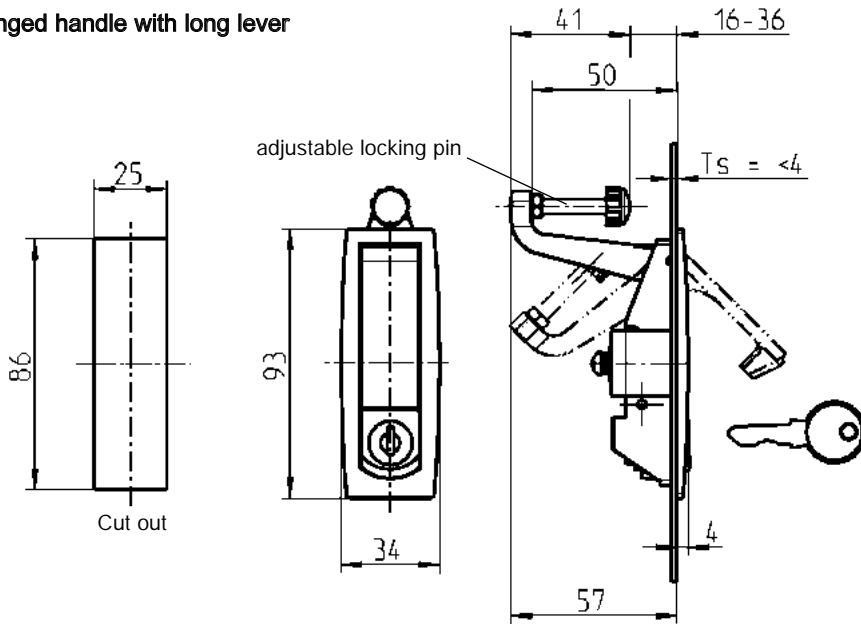
1130-U1

keyed different

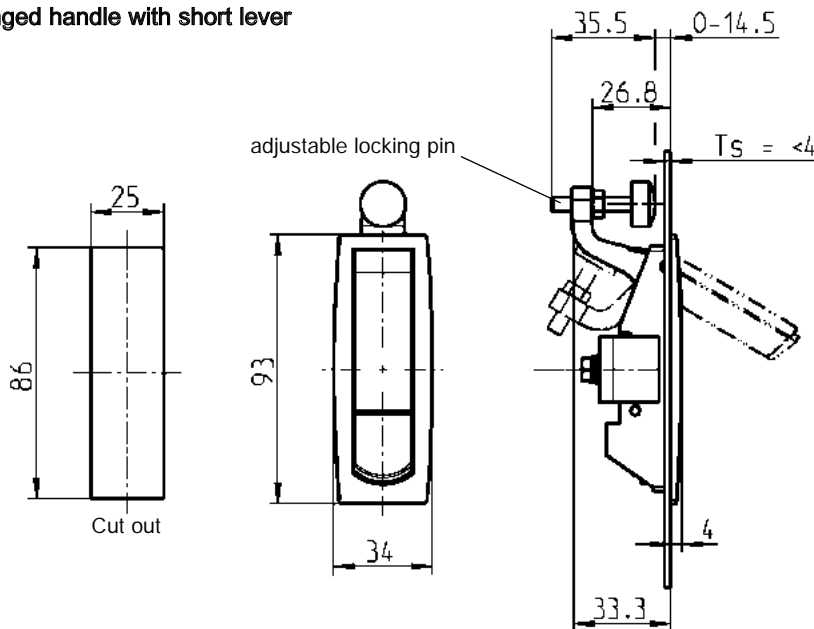
1130-U2



Hinged handle with long lever



Hinged handle with short lever



Hinged handle zinc die black powder coated, locking pin m.s. zinc plated / TPE-V, fixing material m.s. zinc plated.
Each round cylinder has one key m.s. nickel plated.

Hinged handle with long lever

keyed EK 333	on request
Blank	1130-U9

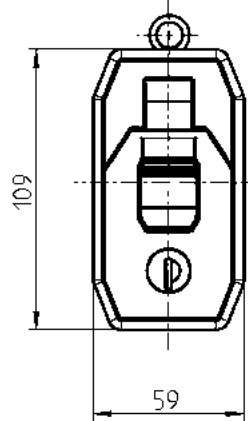
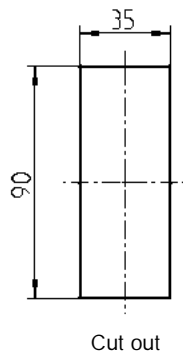
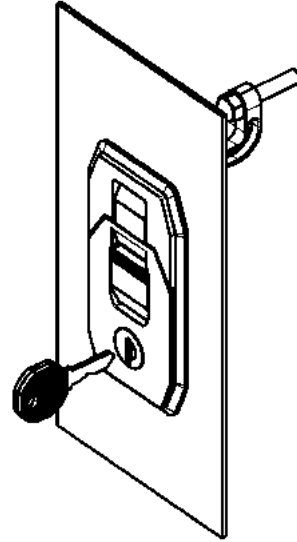
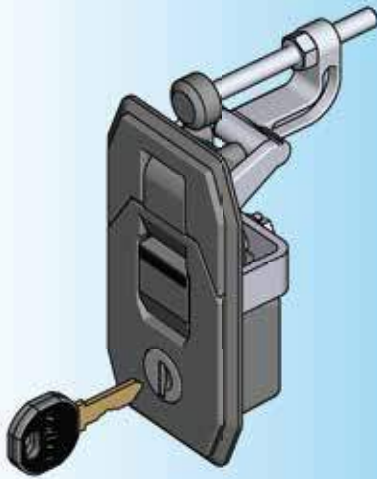
Hinged handle with short lever

keyed EK 333	on request
Blank	1130-U13

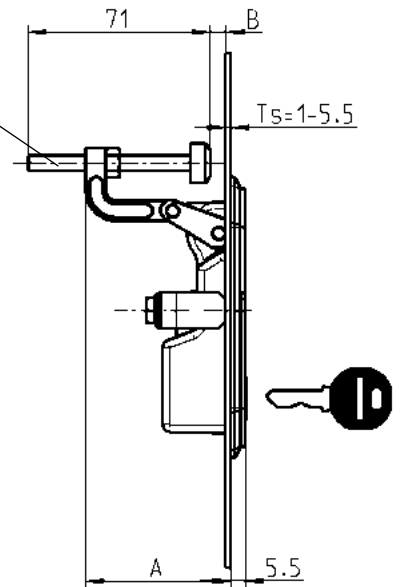
Further parts see page
– Spare key 12B-140



- Info
- 1 Quarter turns
- 2 Rod controls
- 3 Locking systems
- 4 Hinges
- 5 Gasketing
- 6 Handles
- 7 Aluminium windows
- 8 Stainless steel
- 9 Latches
- 10 Air-conditioning
- 11 EMKA Electronics
- 12 Miscellaneous



adjustable locking pin



Hinged handle with other lever arm on request

Further parts see page
– Spare key 12B-140

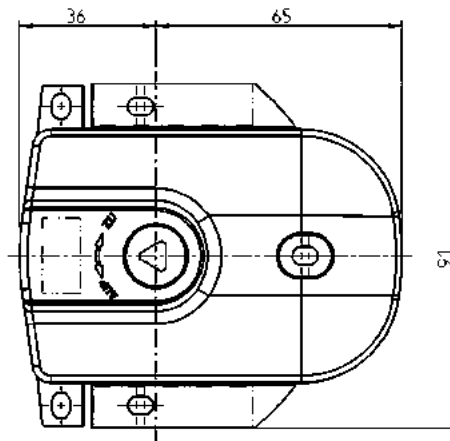
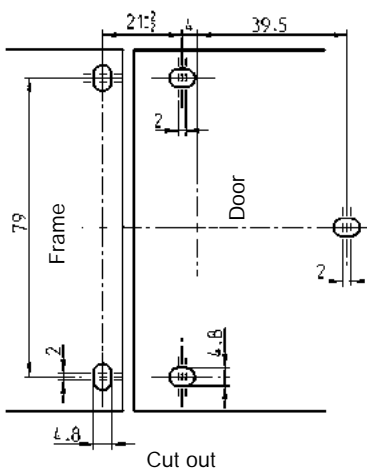
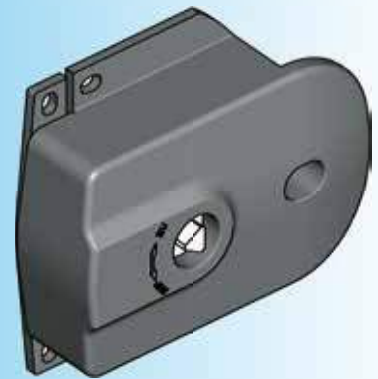
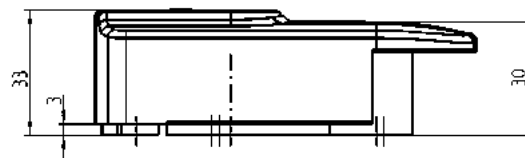
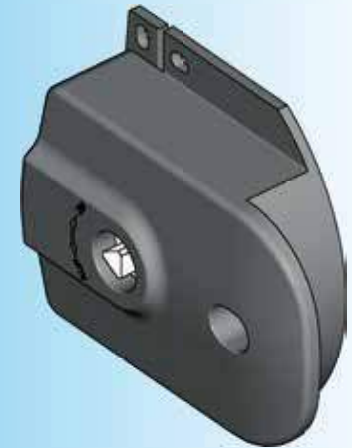
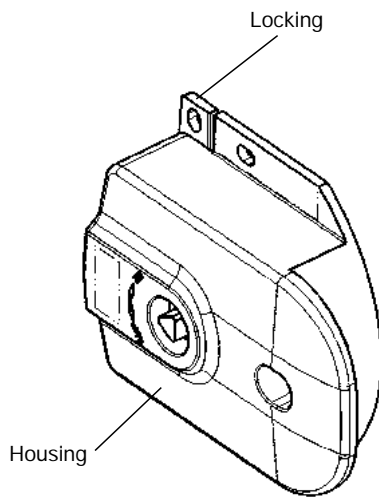
Hinged handle zinc die black powder coated, locking pin m.s. zinc plated / TPE-V, fixing material m.s. zinc plated, round cylinder with stainless steel cap and dust cap, with seal. One key from nickel silver with polyamide grip GF black per round cylinder

A = 57 ; keyed EK 333	1130-U7
A = 57 ; keyed different	1130-U7-V
A = 71 ; keyed EK 333	1130-U7-01
A = 71 ; keyed different	1130-U7-01V

Surface mounted door lock

PROGRAM 1000

Beschlagteile



Attention:
Insert not included

Suitable lockable or non lockable T-handles and L-handles on request!

Further parts see page

- Insert 1B-140
- Key 12B-120

Housing and lock zinc die black p.c., stepped cam zinc die raw

for insert

1000-U778



Info

1 Quarter turns

2 Rod controls

3 Locking systems

4 Hinges

5 Gasketing

6 Handles

7 Aluminium windows

8 Stainless steel

9 Latches

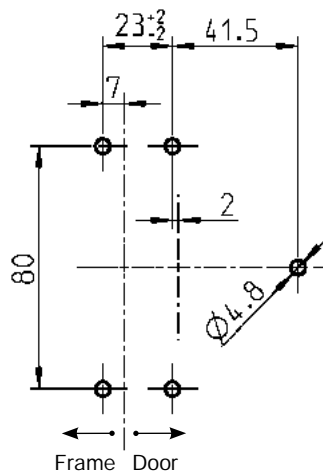
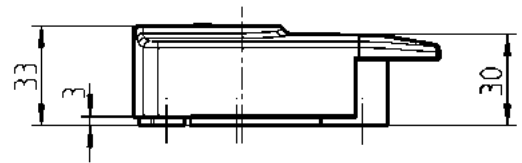
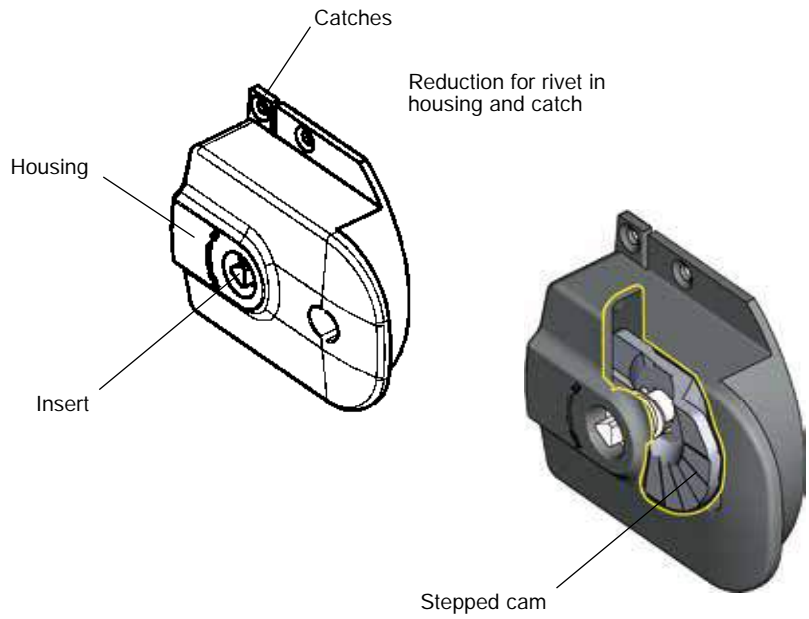
10 Air-conditioning

11 EMKA Electronics

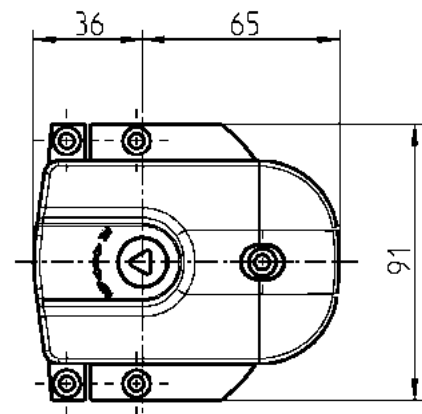
12 Miscellaneous



Catches



Cut out



Attention:

Insert not included

Catch to be ordered separately

Further parts see page

- Door lock with inner handle or Pressure relief 10A-940
- Door lock with inner handle or Pressure relief 10A-920
- Insert 1B-140
- Key 12B-120

Surface mounted door lock black powder coated zinc die, stepped cam zinc die raw

without insert

1000-U779

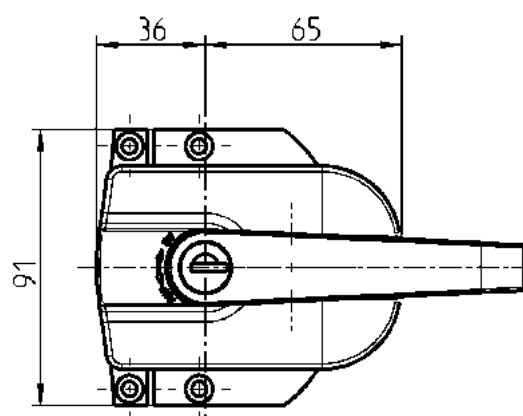
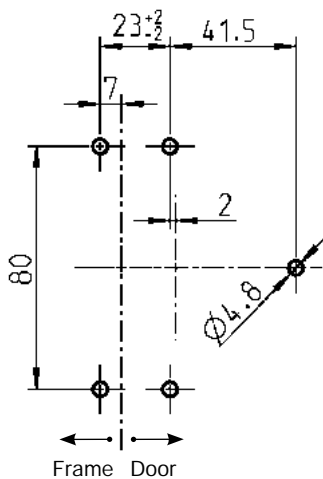
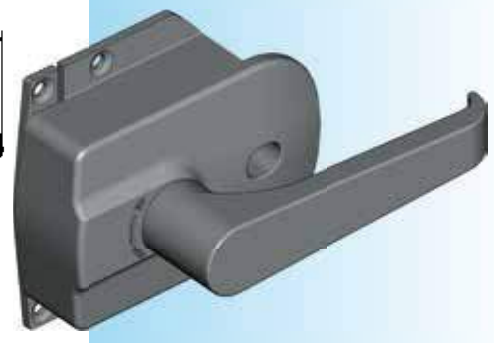
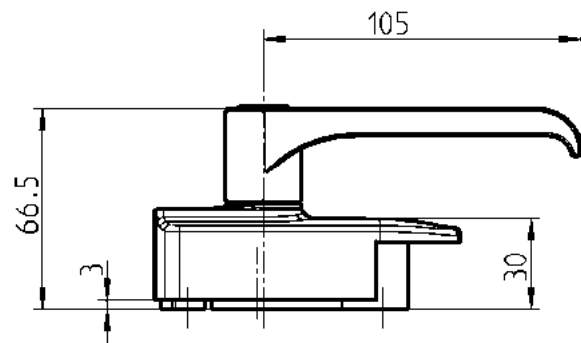
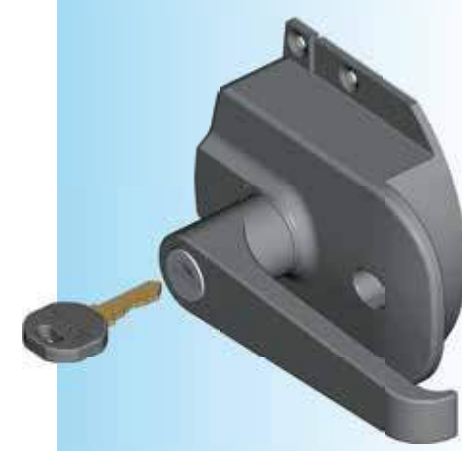
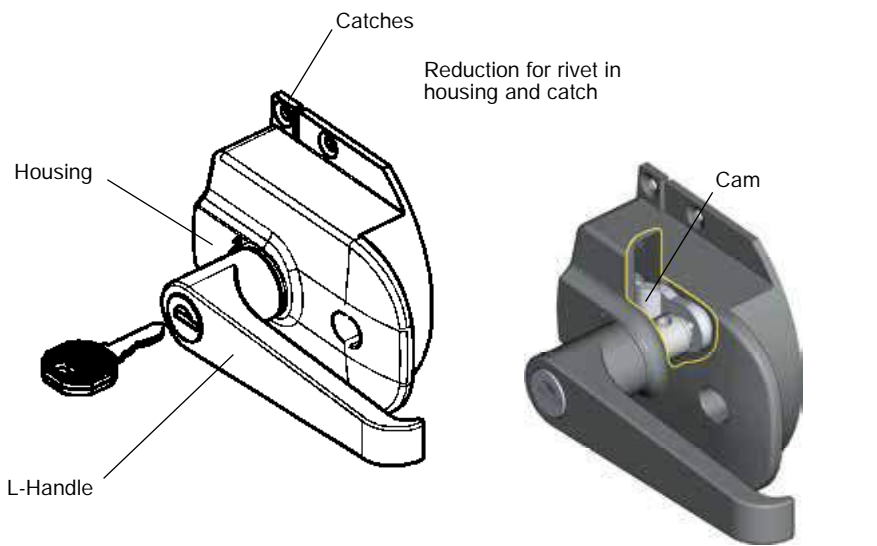
Catch zinc die black powder coated

1000-488-AA

Surface mounted door lock

PROGRAM 1000

Beschlagteile



Catches

Cut out

Surface mounted door lock black powder coated zinc die raw, L-Handle polyamide GF black, stepped cam zinc die, screw zinc plated m.s.

non locking 1000-U780

Surface mounted door lock zinc die black powder coated, L-Handle polyamide GF black, cam and screw m.s. zinc plated, round cylinder zinc die with stainless steel cap and dust cap Each round cylinder has one silver steel key with polyamide grip GF black.

keyed EK 333 1000-U781

keyed different 1000-U781-V

Catch zinc die black powder coated

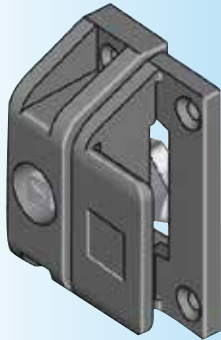
1000-488-AA

Catch to be ordered separately
90° locking stroke with lockable handles

Housing and catch with long slots on request!

Further parts see page

- Door lock with inner handle or Pressure relief 10A-940
- Spare key 10A-920
- 12B-140

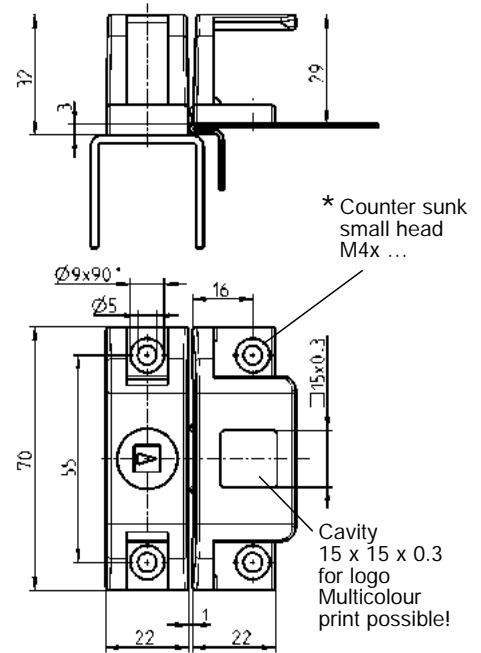
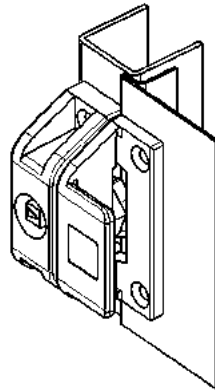


small head = DIN ISO 2009, 2010, 7046-1, 7046-2, 7047

* not included

Further parts see page 12B-120
– Key

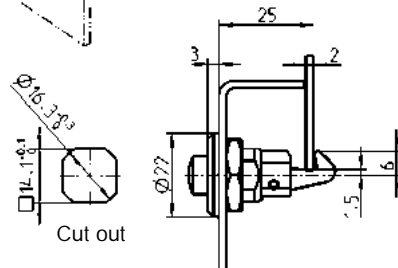
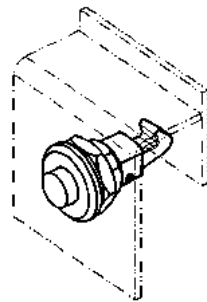
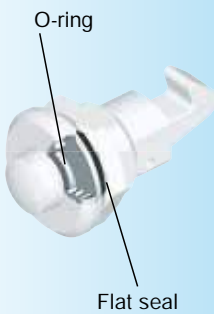
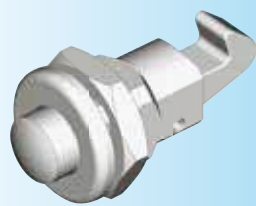
Cam lock



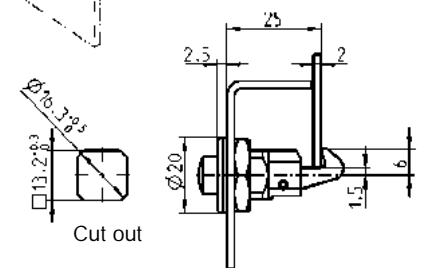
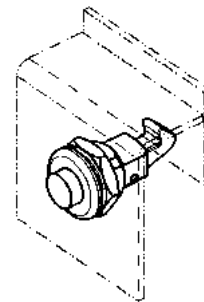
Cam lock polyamide black, insert zinc die chrome pl. cam, screw and wave washer m.s. zinc pl.

Square 7	1076-U5	Double bit 3	1076-U9
Square 8	1076-U6	Double bit 5	1076-U10
Triangular 7	1076-U7	Hexagon female SW 10	1076-U11
Triangular 8	1076-U8	Slot 2 x 4	1076-U12

Snap lock with and without seal



Version A



Version B

Snap lock zinc die chrome plated, without or with seal

Version A		Version B	
without seal	1047-U3	without seal	1047-U2
with seal IP 65	1047-U5	with seal IP 65	1047-U4

with seal IP 65

Slam-lock

PROGRAM 1034, 1085

Slam-lock



1 Quarter turns

2 Rod controls

3 Locking systems

4 Hinges

5 Gasketing

6 Handles

7 Aluminium windows

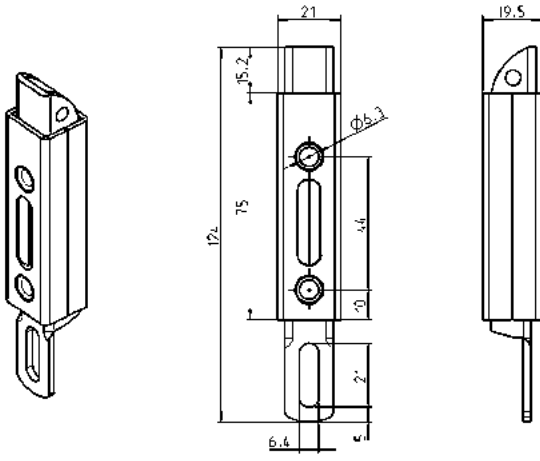
8 Stainless steel

9 Latches

10 Air-conditioning

11 EMKA Electronics

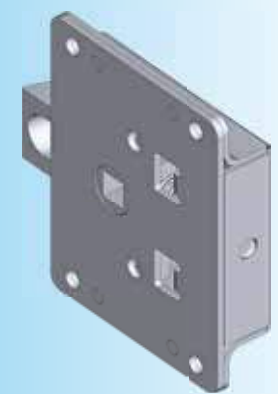
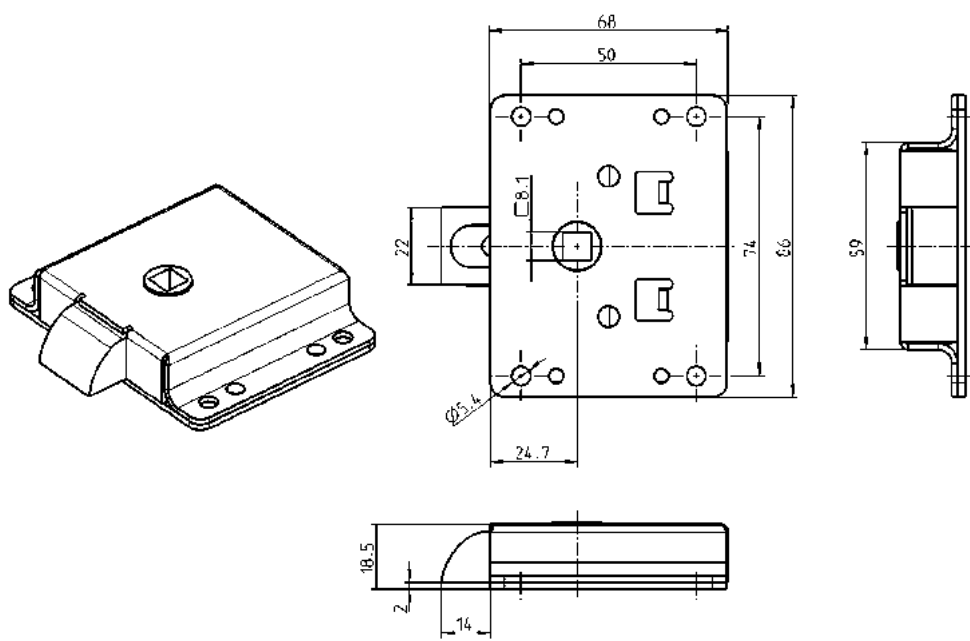
12 Miscellaneous



Rod connection can be bent for hand-operation on request

Slam-lock m.s. zinc plated	1085-U1
----------------------------	---------

Slam-lock



Slam-lock m.s. zinc plated, lock and nut zinc die raw, spring m.s. polyamide	1034-U1
--	---------

Further parts see page
– Lock support and insert 1C-360

Info

1 Quarter turns

2 Rod controls

3 Locking systems

4 Hinges

5 Gasketing

6 Handles

7 Aluminium windows

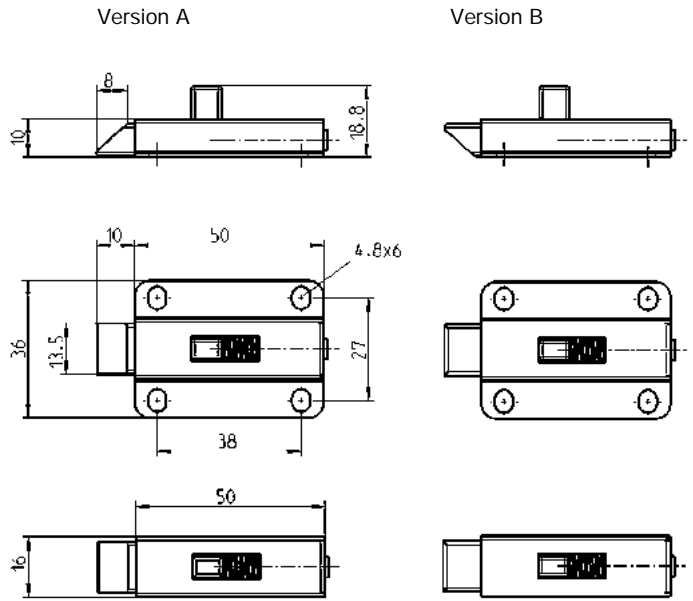
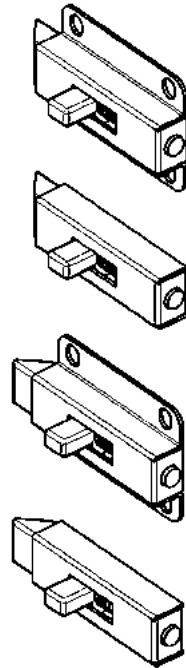
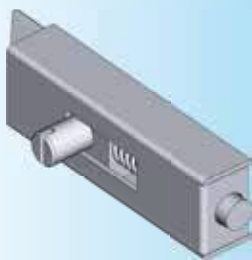
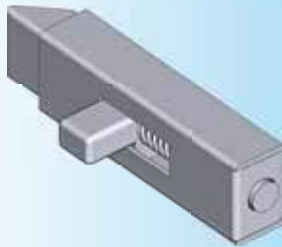
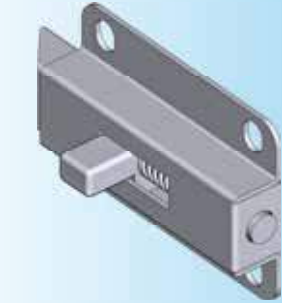
8 Stainless steel

9 Latches

10 Air-conditioning

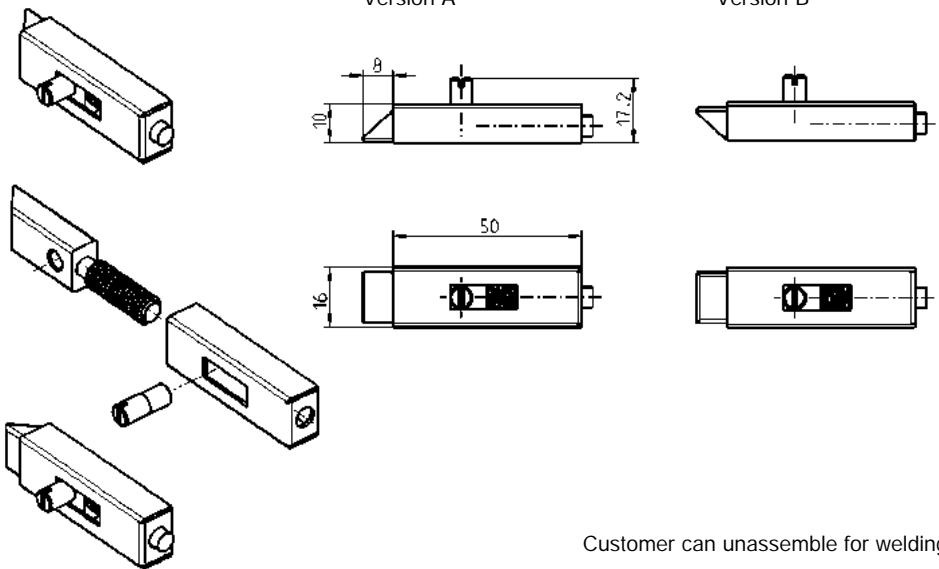
11 EMKA Electronics

12 Miscellaneous



Slam-lock m.s. zinc plated resp. m.s. raw, locking bolt zinc die zinc plated

	Version A	Version B
screw-on m.s. zinc plated	1053-U1	1053-U2
weld-on m.s. raw	1053-U3	1053-U4



Customer can unassemble for welding on

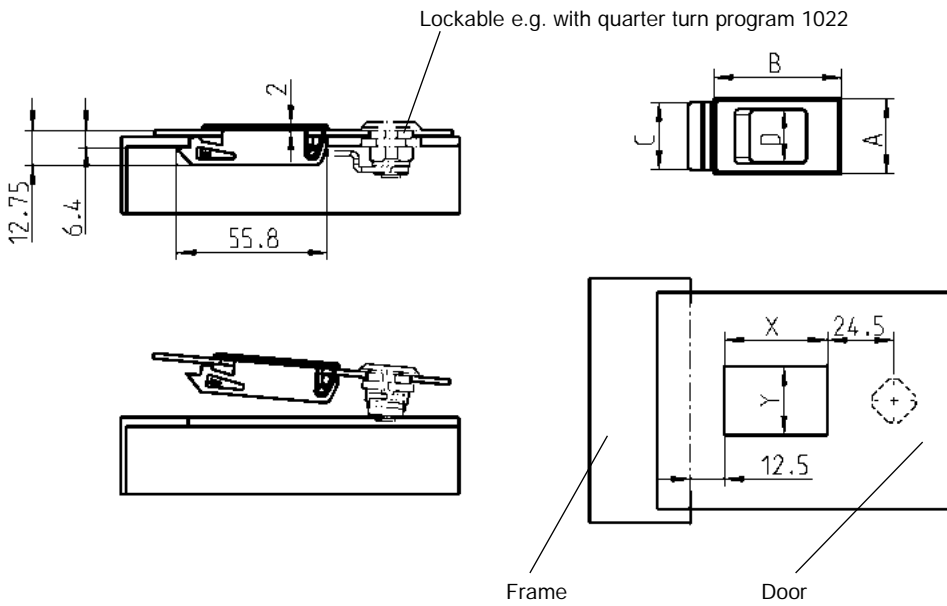
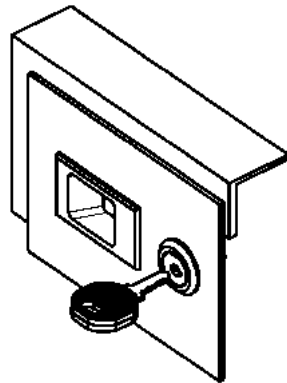
Slam-lock m.s. raw, locking bolt zinc die zinc plated

	Version A	Version B
weld-on	1053-U5	1053-U6

Slide latch, snap-in installation

PROGRAM 1091

Beschlagteile



Slide latch Polyamide black with spring m.s. zinc plated

Size	Ts = 1,2 – 1,6				Ts = 1,75 – 2,2		
1	1091-U114-01				1091-U114		
2	1091-U115-01				1091-U115		
3	on request				1091-U116		
Dim.	A	B	C	D	Door cut out	X	Y
1	28	47	25	20	1	38	25,5
2	47	47	44	39,5	2	38	44,5
3	86	47	83	78,5	3	38	83,5

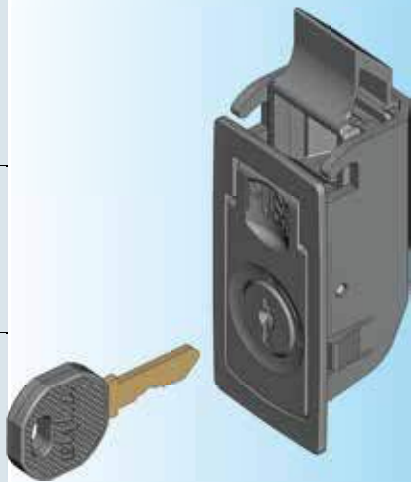
Fit for door gauge 1,2 up to 2,2 mm.

Further parts see page
– Quarter turn 1A-120
up to 1A-160

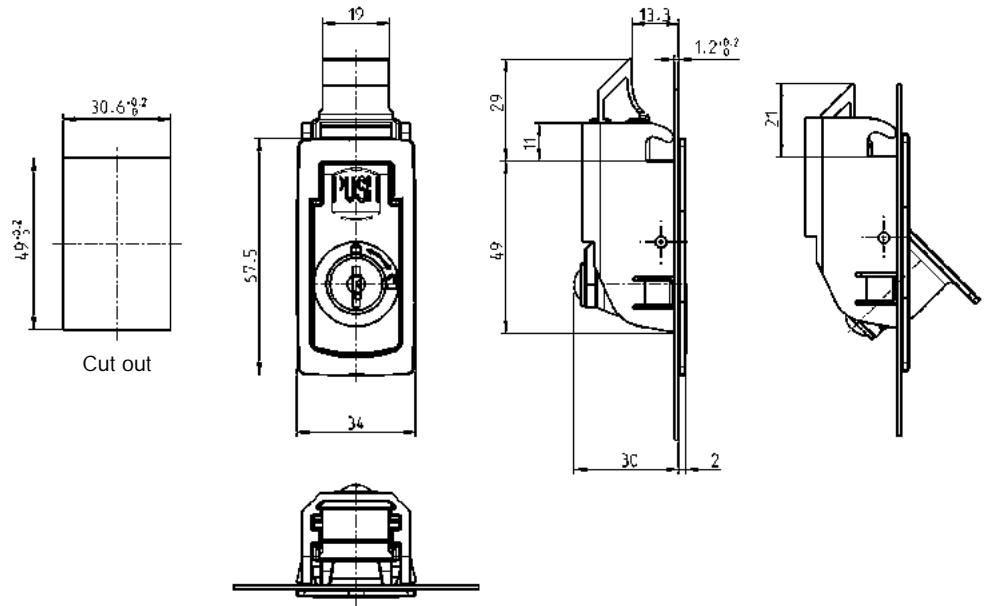
Beschlagteile



- Info
- 1 Quarter turns
- 2 Rod controls
- 3 Locking systems
- 4 Hinges
- 5 Gasketing
- 6 Handles
- 7 Aluminium windows
- 8 Stainless steel
- 9 Latches
- 10 Air-conditioning
- 11 EMKA Electronics
- 12 Miscellaneous



open condition



Further parts see page
– Spare key 12B-140

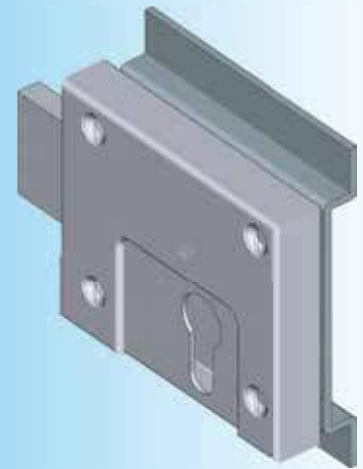
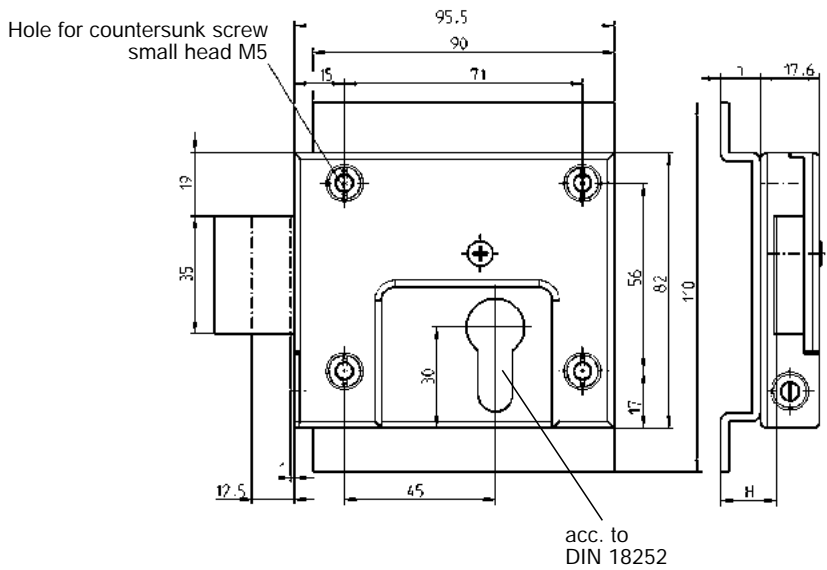
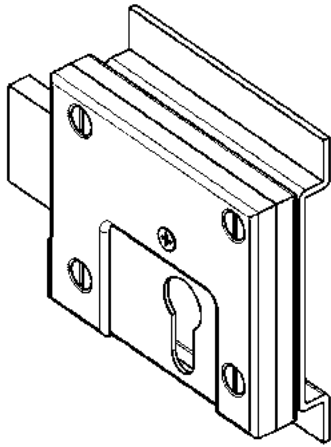
Side panel latch polyamide GF black, screw m.s. zinc plated
Each cylinder has one silver steel key with polyamide GF grip black.
Key removable in both positions

keyed EK 333	1091-U143
keyed different	1091-U143-01V
Blank	1091-U143-02

Dead-bolt lock

PROGRAM 1080

Dead-bolt lock



Dead-bolt lock for both LH/RH

small head ≙ DIN ISO 2009, 2010, 7046-1, 7046-2, 7047

Dead-bolt lock m.s. zinc plated

1080-U1

Lock support m.s. raw

H	h	Profile cylinder length	
16,5	12	40	on request
26,5	22	50	on request

© EMKA Beschlagteile GmbH & Co. KG • 2018 • www.emka.com

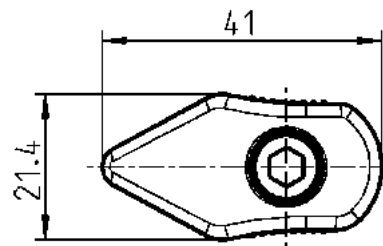
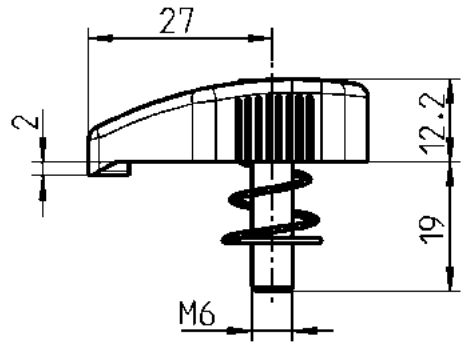
Further parts see page
– Profile half cylinder

2B-220

12A-520 08/16

(6A-310)

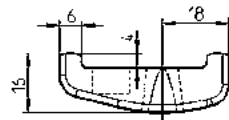
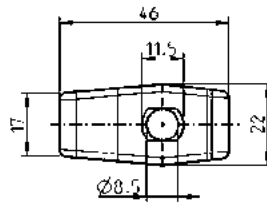
- Info
- 1 Quarter turns
- 2 Rod controls
- 3 Locking systems
- 4 Hinges
- 5 Gasketing
- 6 Handles
- 7 Aluminium windows
- 8 Stainless steel
- 9 Latches
- 10 Air-conditioning
- 11 EMKA Electronics
- 12 Miscellaneous



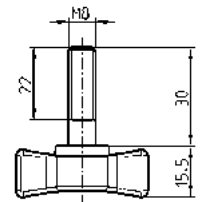
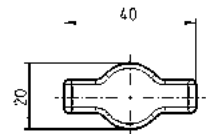
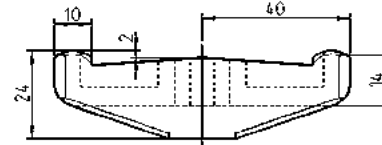
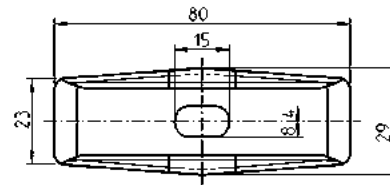
Bridge clamp polyamide GF black;
socket head screw m.s. zinc plated;
with spring

1076-U13

Version A



Version B



Bridge clamp polyamide black

Version A

Version B

1076-19

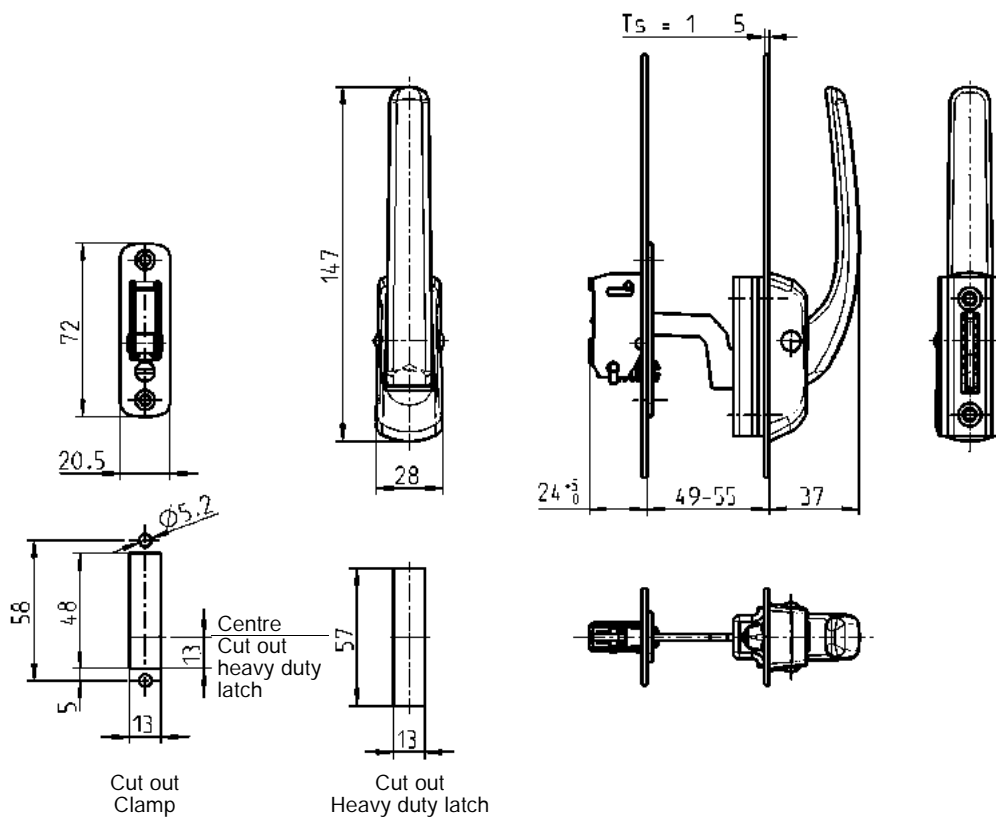
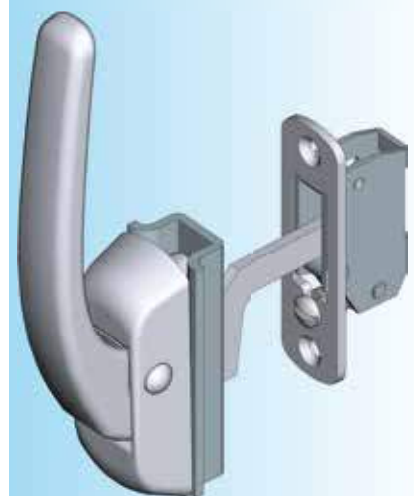
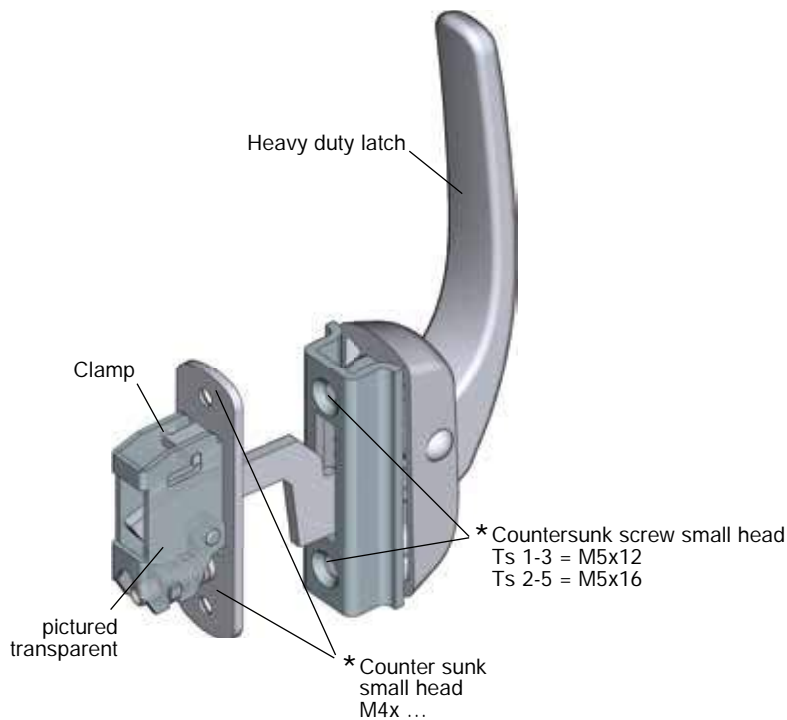
1076-20

Tommy screw m.s. zinc plated; wing knob polyamide GF black

1076-15

Heavy duty latch with adjustable locking block

PROGRAM 2074



* not included in the scope of supply

small head = DIN ISO 2009, 2010, 7046-1, 7046-2, 7047

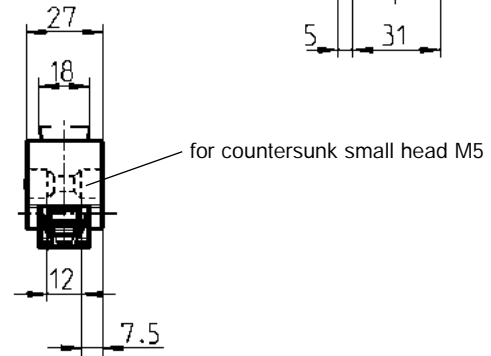
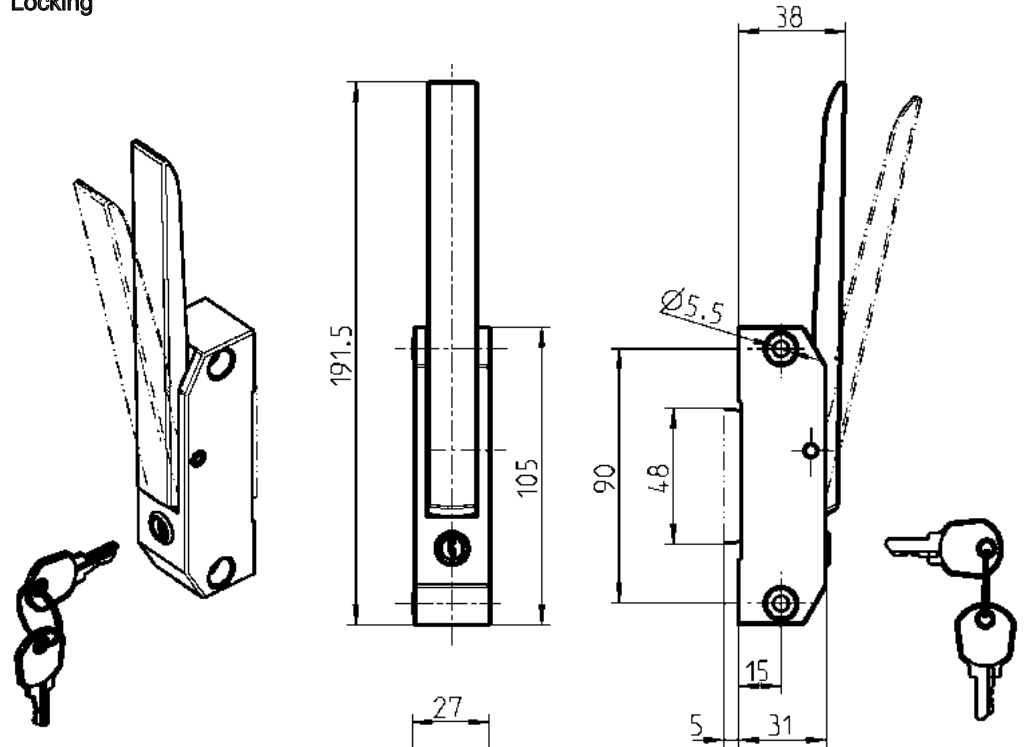
Heavy duty latch zinc die chrome plated, cam AISI 304 chrome plated, fastening bracket and spring setting AISI 304, with spring

2074-U372-137IK

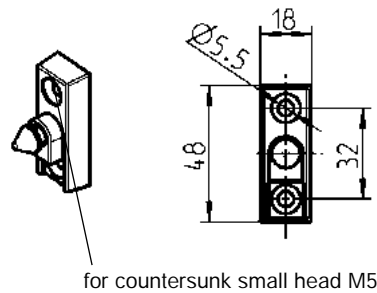
Locking block AISI 304 chrome plated, U-frame and adjusting screw AISI 304, roller and setscrew AISI 303, with spring

2074-U372-156IK

Locking

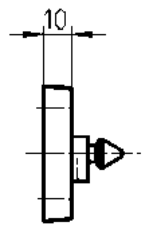
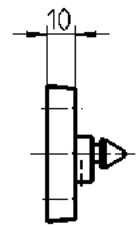


Strike with adjustable striker pin



Version A

Version B



The door can not be pushed open from inside.

The door can be pushed open from inside, if the round cylinder is not closed. (chamfered striker pin)

Application area:
the latch can be attached e.g. at refrigerators



small head = DIN ISO 2009, 2010, 7046-1, 7046-2, 7047

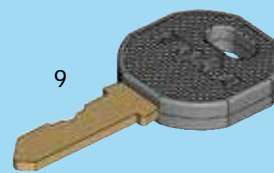
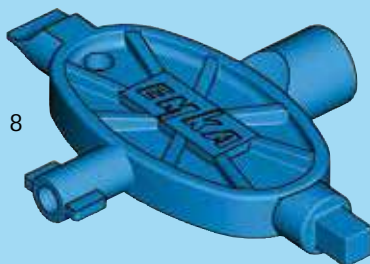
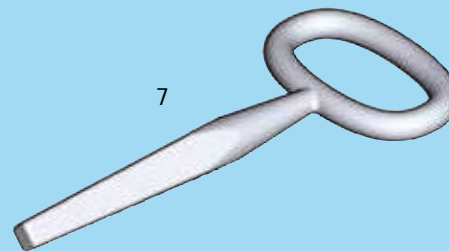
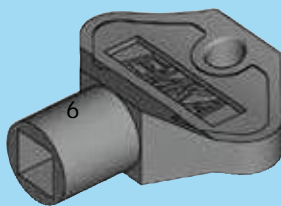
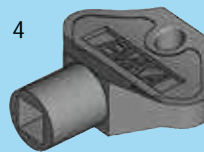
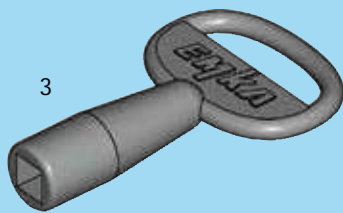
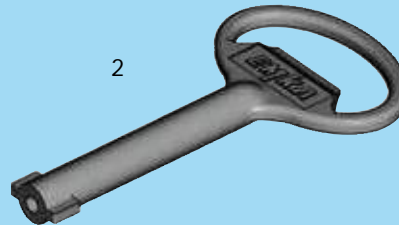
Latch zinc die gloss chrome plated, clamp and other components zinc plated thick-film passivated and Top Coat sealed, two plugs polyethylene grey, with spring. Each round cylinder has two silver steel nickel plated keys at a ring.

non locking	2074-U130-IK
keyed different	2074-U132-IK
same closure	on request

Striker pin stainless steel, strike zinc die chromium plated, setscrew m.s. zinc plated

Version A	2074-U111-IA
Version B	2074-U113-IA

Key Program 1004, 1108



- | | | |
|---|-------------------------------|---------|
| 1 | Key, large e.g. square | 12B-120 |
| 2 | Key double bit large | 12B-120 |
| 3 | Key, small e.g. square | 12B-120 |
| 4 | Key, small e.g. square | 12B-120 |
| 5 | Key double bit small | 12B-120 |
| 6 | Key FIAT | 12B-120 |
| 7 | Key square male 6,5 – 8,5 | 12B-120 |
| 8 | Key universal | 12B-120 |
| 9 | EMKA-key example keyed EK 333 | 12B-140 |

12B-100

Info

1 Quarter turns

2 Rod controls

3 Locking systems

4 Hinges

5 Gasketing

6 Handles

7 Aluminium windows

8 Stainless steel

9 Latches

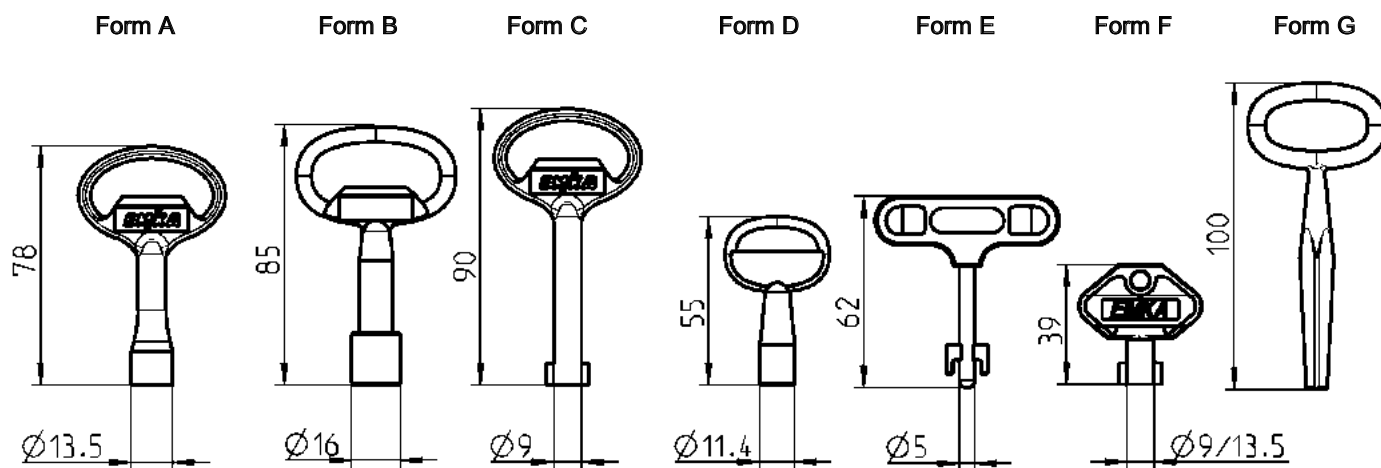
10 Air-conditioning

11 EMKA Electronics

12 Miscellaneous

Key

PROGRAM 1004



Keys can be supplied on request with customer logo

Minimum quantity: Form A, B, C, D

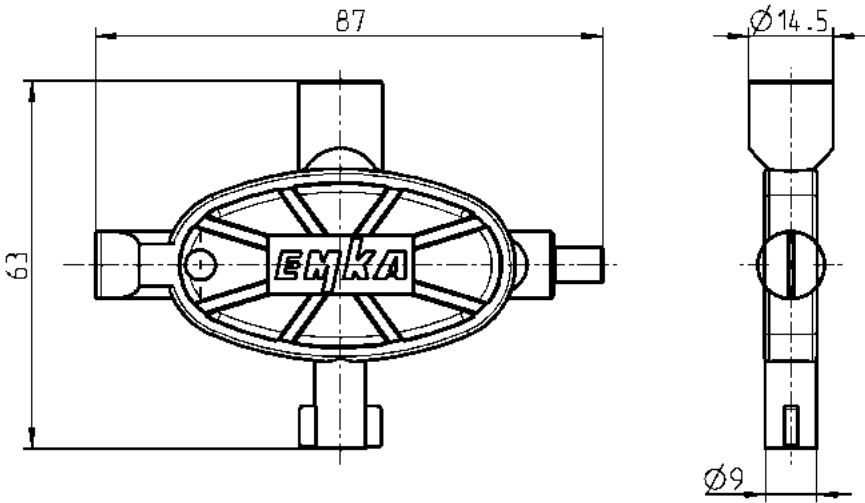
2,000 pieces

Minimum quantity: Form E, F, H

5,000 pieces

Key-Form	A	B	C	D	E	F	G
	Zinc die black	Zinc die black	Zinc die black	Zinc die black	Zinc die/ polyamide black	Polyamide black	GTW nickel plated
Square 6	1004-18	-	-	1004-20	-	1004-37	-
Square 7	1004-01	-	-	-	-	1004-36	-
Square 8	1004-02	-	-	-	-	1004-35	-
Triangular 6,5	-	-	-	1004-21	-	-	-
Triangular 6.5 CNOMO	1004-26	-	-	-	-	-	-
Triangular 7	1004-03	-	-	-	-	1004-39	-
Triangular 8	1004-04	-	-	-	-	1004-38	-
Triangular 10	-	1004-24	-	-	-	-	-
Crown type	-	1004-31	-	-	-	-	-
Eastern Europe Ø13 half round	-	1004-42	-	-	-	-	-
Double bit 3	-	-	1004-05	-	-	1004-34	-
Double bit 5	-	-	1004-06	-	-	1004-33	-
Male hexagon 11.1	-	1004-54	-	-	-	-	-
Daimler Benz	1004-17	-	-	-	-	-	-
FIAT	-	-	-	-	1004-41	-	-
Square male 6	1004-29	-	-	-	-	-	-
Square male 8	1004-30	-	-	-	-	-	-
Square male 6 - 9,5	-	-	-	-	-	-	1004-19
Hexagon head 8 with hole	1004-49	-	-	-	-	-	-
Tube	-	-	-	1004-51	-	-	-

Form H

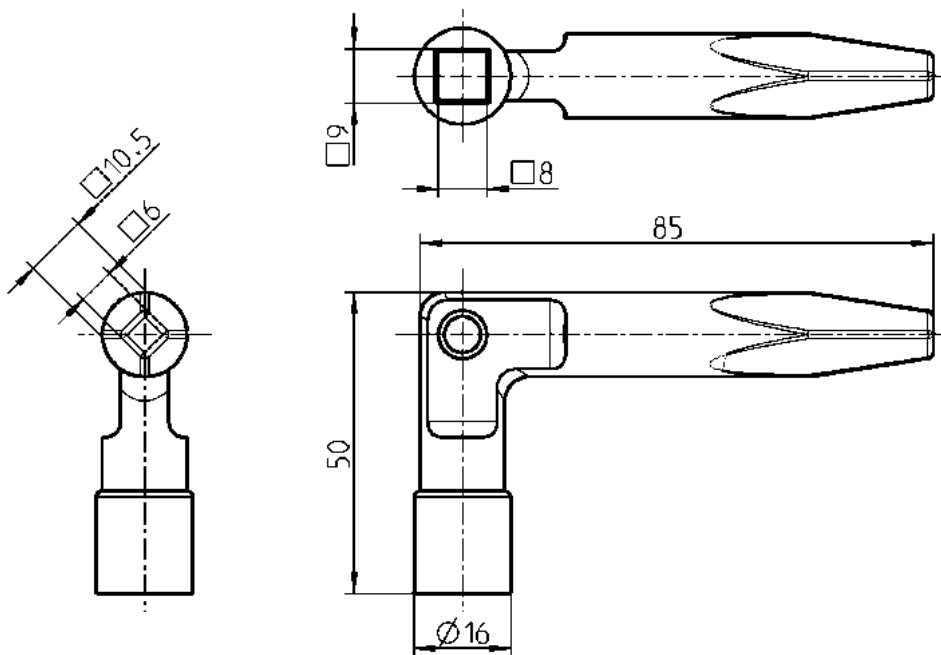


Form H, universal-key polyamide blue

Square male 6, Square 8, Double bit 5 and slot insert

1004-48

Form I



Form I, railway version, zinc die black

Square 8 - 9, square male 6 - 10,5

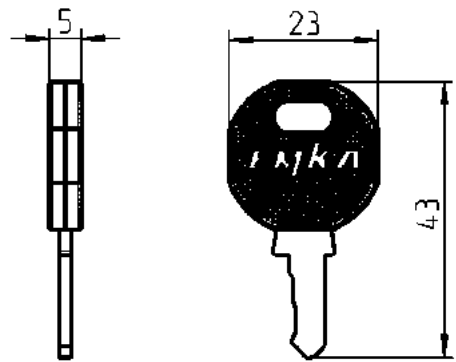
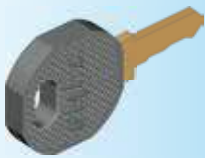
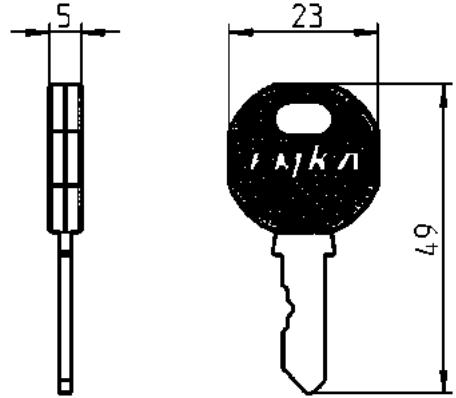
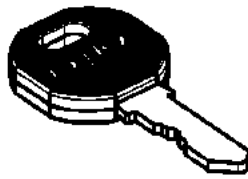
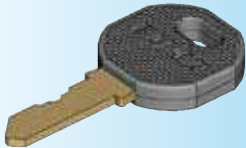
1004-52



Attention:
Keys of form A, B, C, E, F, G and I not suitable for program 1022

Stainless steel key on request

- Info
- 1 Quarter turns
- 2 Rod controls
- 3 Locking systems
- 4 Hinges
- 5 Gasketing
- 6 Handles
- 7 Aluminium windows
- 8 Stainless steel
- 9 Latches
- 10 Air-conditioning
- 11 EMKA Electronics
- 12 Miscellaneous



EMKA-key silver steel with grip polyamide black for program 1000, 1048, 1091, 1109, 1121, 1125, 1150, 1160, 1180, 1200, 1210, 1225, 2100, 2400,

keyed EK 333

1108-U35

keyed different

1108-U36-different

for program 1022, 1109, 1200, 2100, 2400

keyed 2233X

1108-U37

keyed different

1108-U38-different

Note:
Further keys on request

Cover stay and door stop



- | | | |
|---|--|---------|
| 1 | Double stay self catching | 12C-120 |
| 2 | Telescopic cover stay self catching and with push button | 12C-140 |
| 3 | Telescopic cover stay self catching | 12C-160 |
| 4 | Cover stay with locking pawl | 12C-180 |
| 5 | Door stop | 12C-220 |

12C-100

Info

1 Quarter turns

2 Rod controls

3 Locking systems

4 Hinges

5 Gasketing

6 Handles

7 Aluminium windows

8 Stainless steel

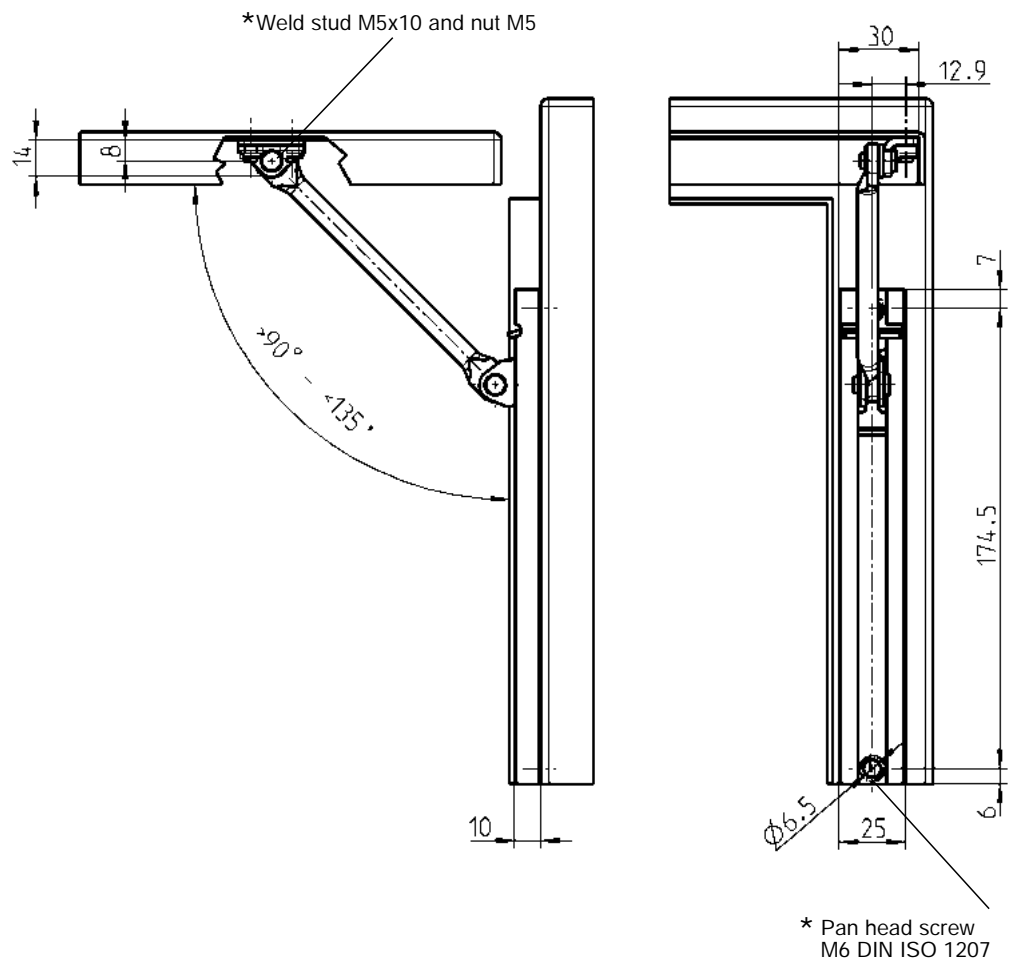
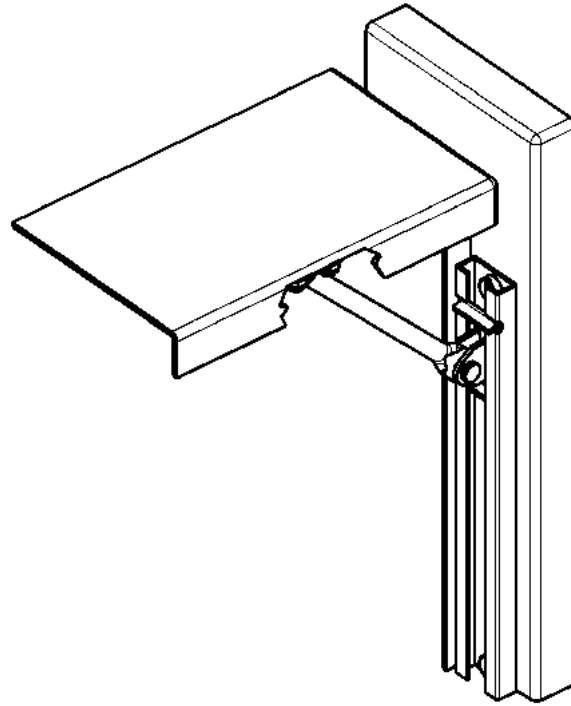
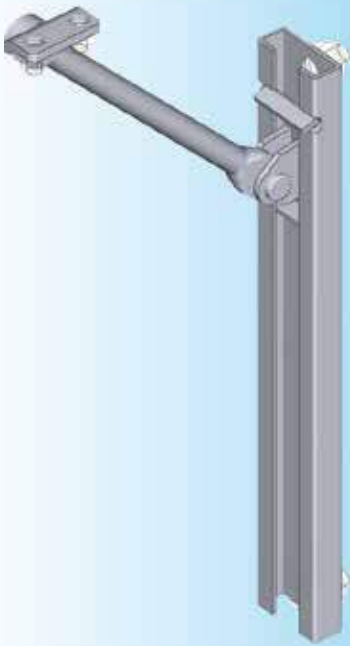
9 Latches

10 Air-conditioning

11 EMKA Electronics

12 Miscellaneous

RL



* not included
The opening angle of 90° - 135° depends on the choice of hinges.

Further parts see page
- Hinge for prominent door

Chapter 4

Cover stay m.s. zinc pl.

1050-U3

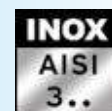
12C-120

(6A-170)

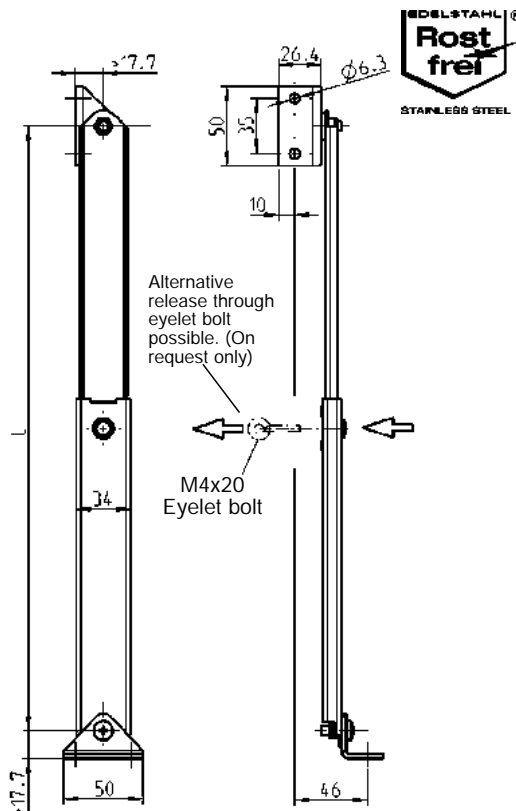
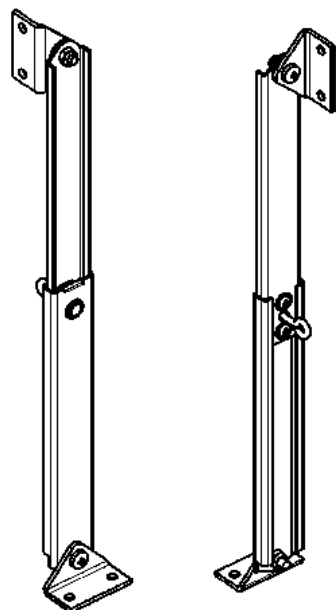
Telescopic cover stay with push button to release

PROGRAM 1097

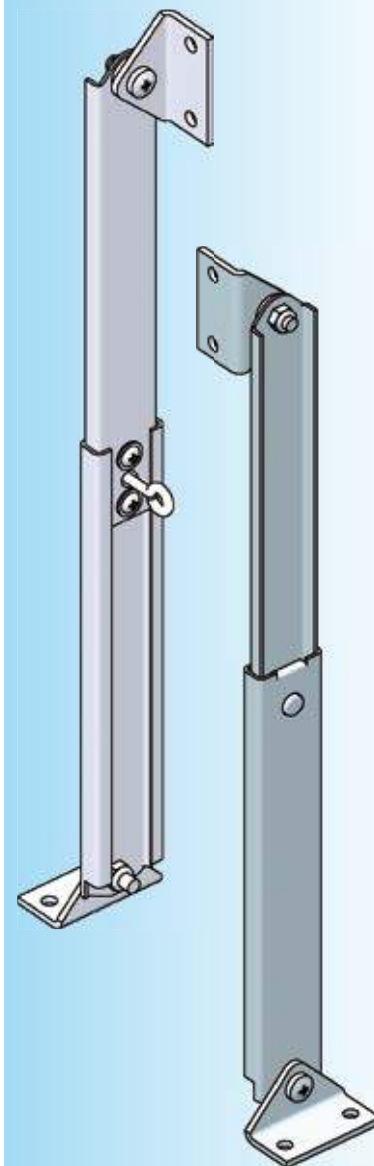
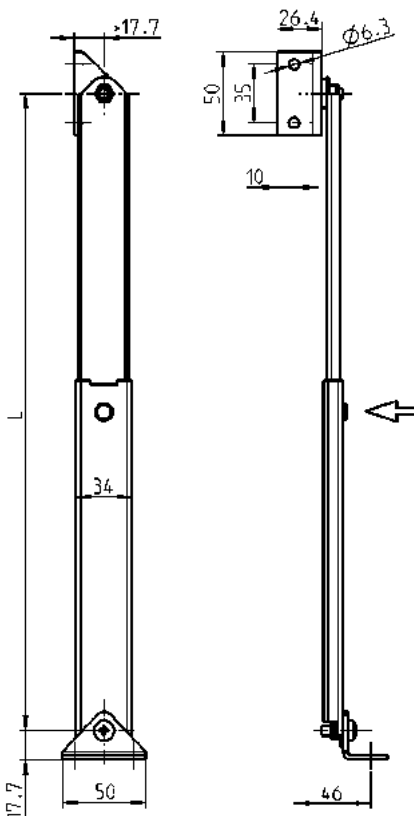
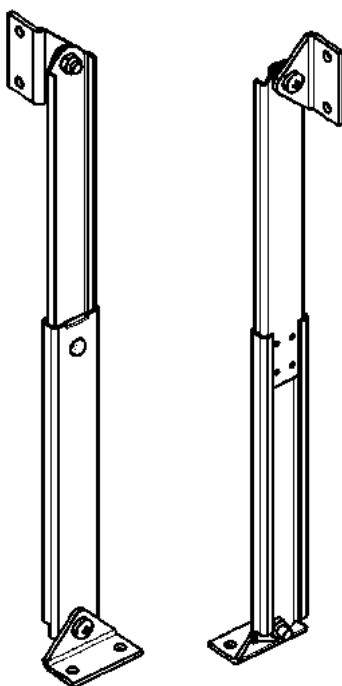
Beschlagteile



Telescopic cover stay m.s. zinc plated



Telescopic cover stay stainless steel



Telescopic cover stay m.s. zinc pl., push button zinc die chrome pl.

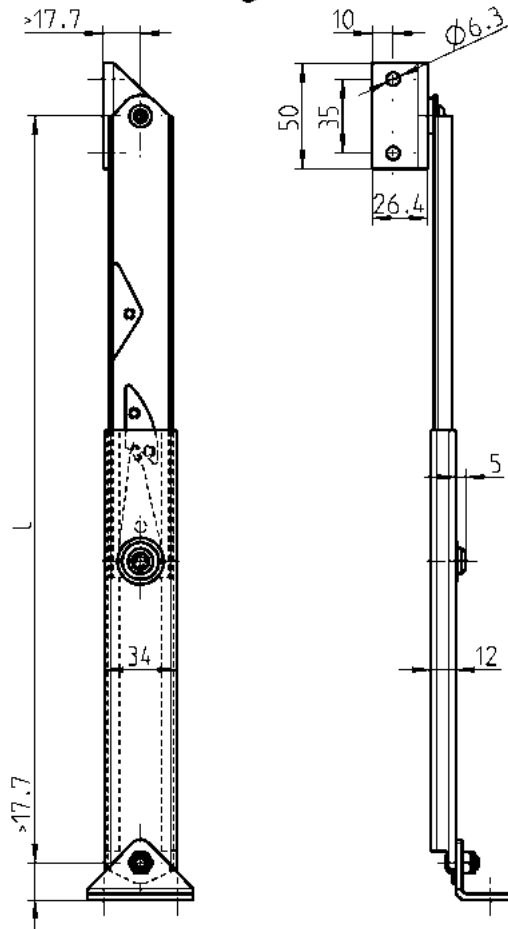
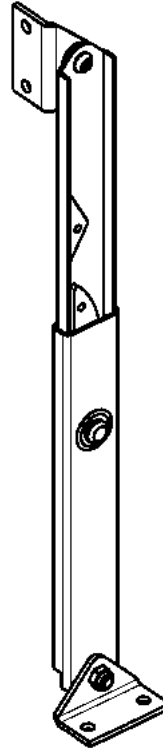
	retracted	extended	
Dimension L	213	382	1097-U5
Dimension L	377	710	1097-U6

Telescopic cover stay AISI 304, push button AISI 303

Dimension L	213	382	1097-U5-PC
-------------	-----	-----	------------

Further parts see page
 – Hinge for prominent door
 – 2D-nut

Chapter 4
 12E-120



Further parts see page
 - Hinge for prominent door Chapter 4
 - 2D-nut 12E-120

Telescopic cover stay m.s. zinc plated

	retracted	extended	
Dimension L	215	360	1097-U1
Dimension L	398	685	1097-U2

Info

Quarter turns

1

2

3

4

5

6

7

8

9

10

11

12

13

14

15

16

17

18

19

20

21

22

23

24

25

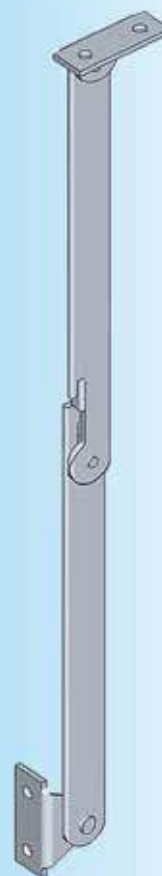
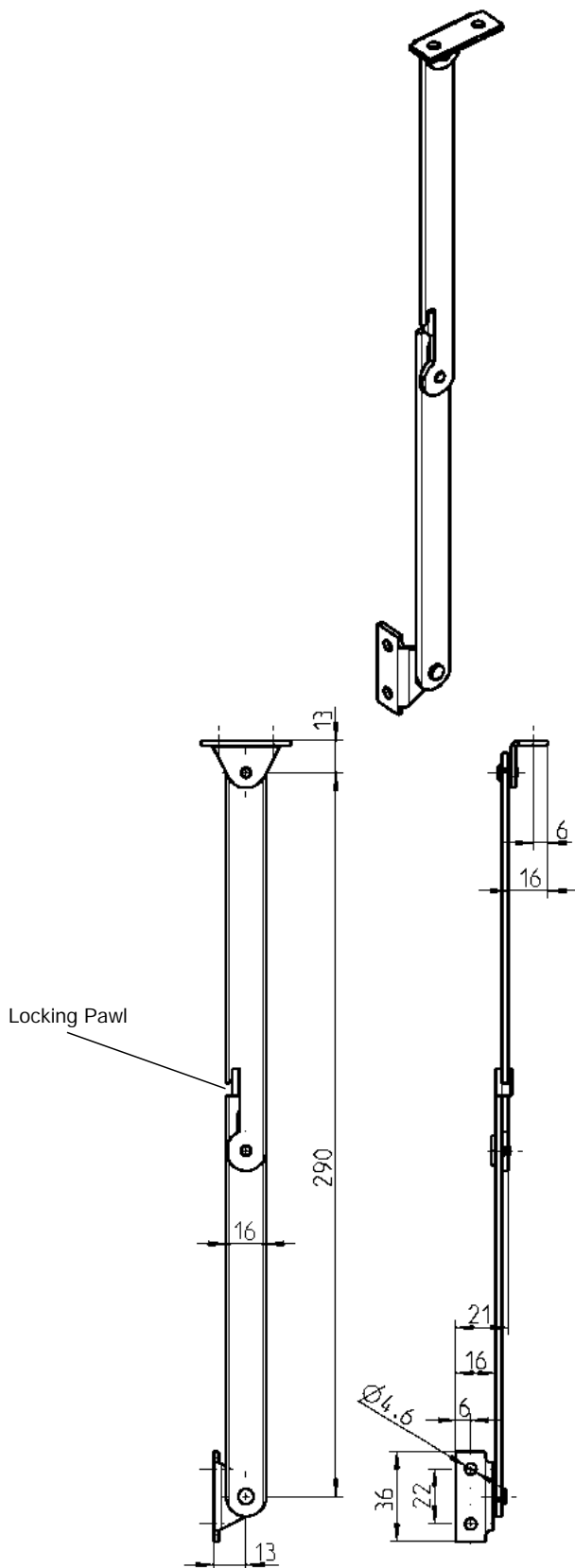
26

27

28

Cover stay PROGRAM 1050

Beschlagteile



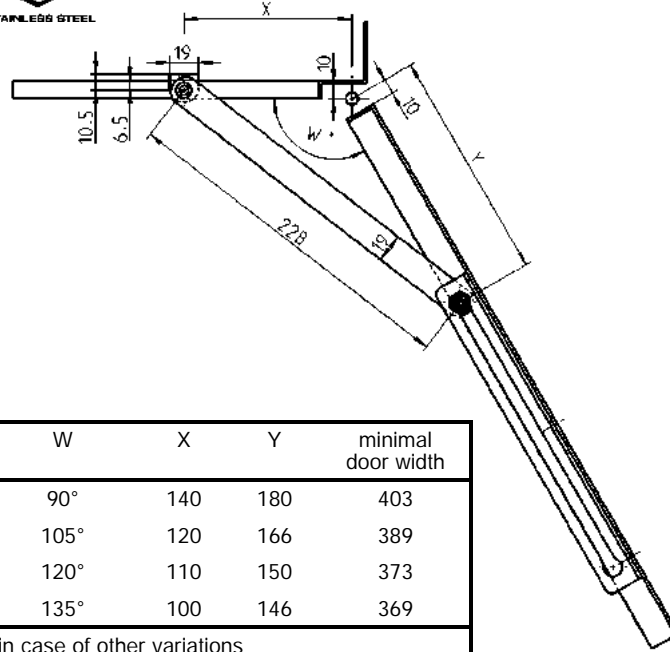
Cover stay material of your choice

	m.s. zinc plated	AISI 304
RH	1050-U1	1050-U1-PC
LH	1050-U2	1050-U2-PC

Further parts see page
– Hinge Chapter 4



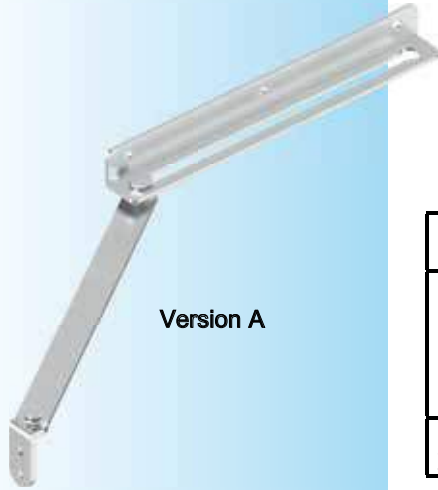
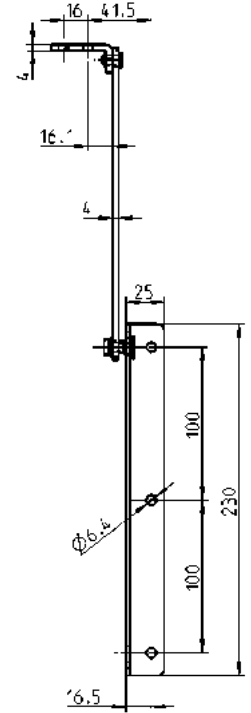
STAINLESS STEEL



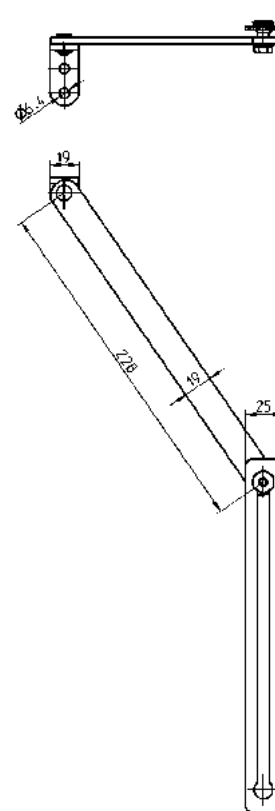
W	X	Y	minimal door width
90°	140	180	403
105°	120	166	389
120°	110	150	373
135°	100	146	369

in case of other variations
y = x + >40

Version A



Version A



Version B



Version B

Door stop m.s. zinc plated

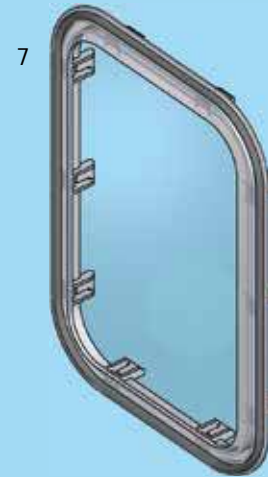
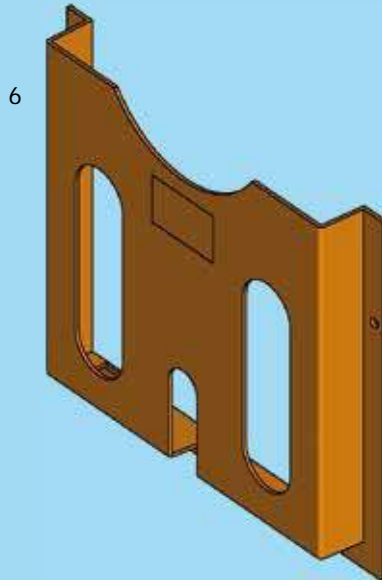
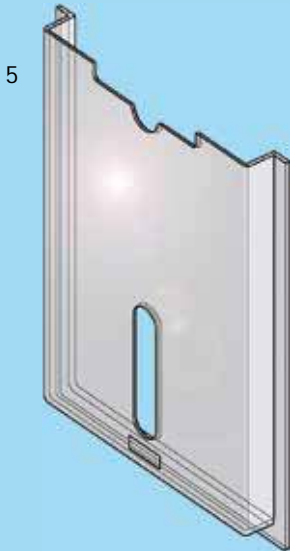
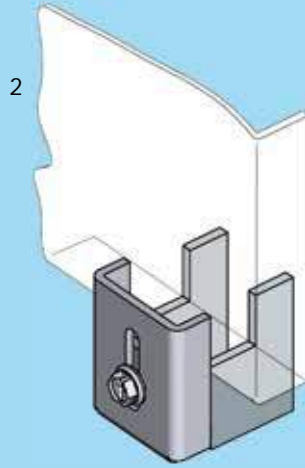
Version A (2D-nut possible)	1087-U1
Version B (2D-nut possible)	1087-U4
Door stop AISI 304, locking bush and rivet AISI 303	
Version A (2D-nut possible)	1087-U1-PC

Further parts see page
– Hinge for prominent door
– 2D-nut

Chapter 4
12E-120

Accessories

Escutcheon, panel mounting device, cable shunting ring, drawing pocket, window



- | | | |
|---|---|------------------|
| 1 | Escutcheon e.g. for profile half cylinder | 12D-120 |
| 2 | Panel mounting device for fitting panels, back plates etc | 12D-220 |
| 3 | Cable shunting ring | 12D-320 |
| 4 | Cable grommet | 12D-320 |
| 5 | Drawing pocket transparent | 12D-420 |
| 6 | Drawing pocket e.g. for DIN A4 format | 12D-420 |
| 7 | Window | 12D-520, 12D-540 |

12D-100

Info

1 Quarter turns

2 Rod controls

3 Locking systems

4 Hinges

5 Gasketing

6 Handles

7 Aluminium windows

8 Stainless steel

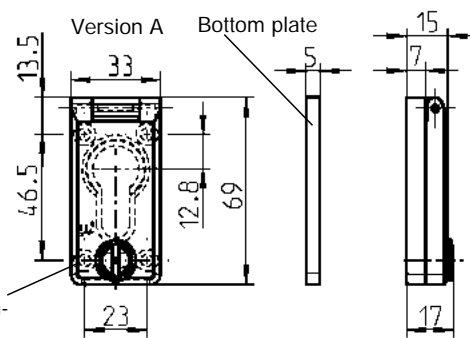
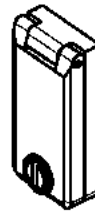
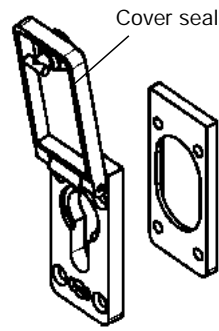
9 Latches

10 Air-conditioning

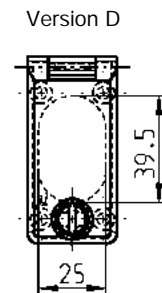
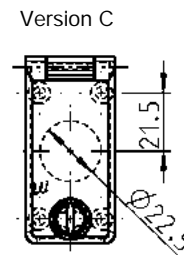
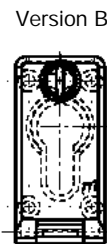
11 EMKA Electronics

12 Miscellaneous

RL



Holes for countersunk screw small head M4



small head ≙ DIN ISO 2009, 2010, 7046-1, 7046-2, 7047

Escutcheon in grey polyamide, RAL 7032

Version A for profile half cylinder	1072-U1	Version A for profile cylinder, sealable	1072-U11
Version B for profile half cylinder	1072-U13	Version B for profile cylinder, sealable	1072-U12
Version C with round hole Ø 22,5	1072-U15	Version C with round hole Ø 22,5, sealable	1072-U14
Version D with universal hole	1072-U16	Version D with universal hole, sealable	1072-U17

Bottom plate, grey polyamide 1072-01

Bottom plate seal, sponge rubber 1072-02

Cover seal, sponge rubber 1072-03

Further parts see page
– suitable for rod system 2A-120
2B-140

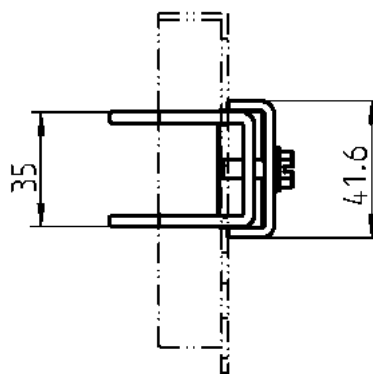
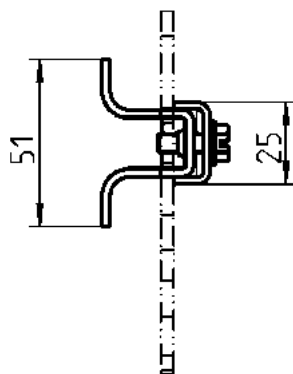
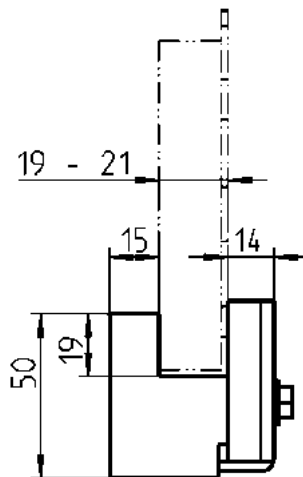
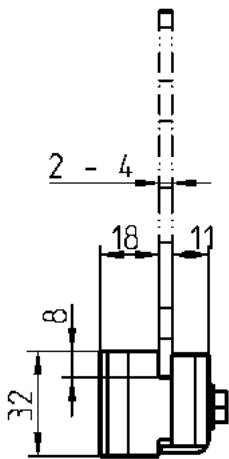
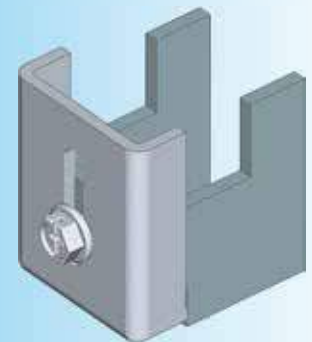
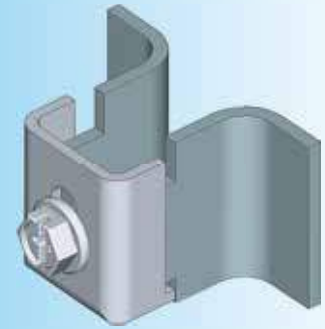
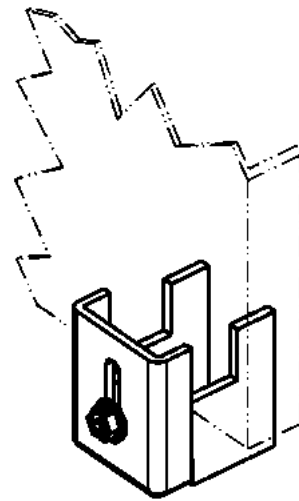
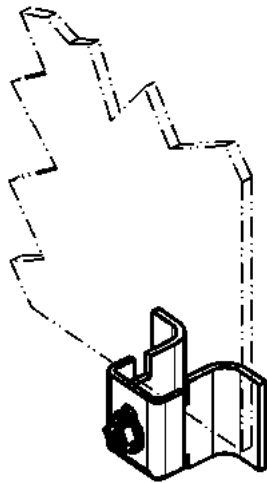
Panel mounting device

PROGRAM 1051

Version A

Version B

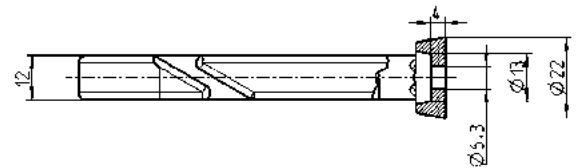
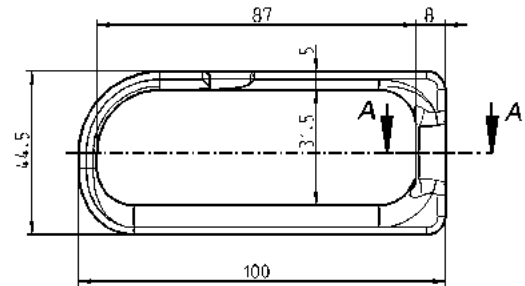
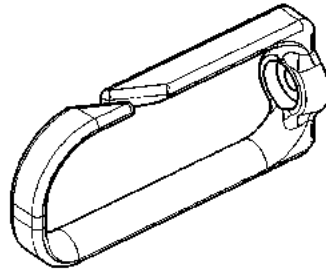
RL



Panel mounting device m.s. zinc plated, weld-on part m.s. raw

	Version A	Version B
	1051-U2	1051-U1

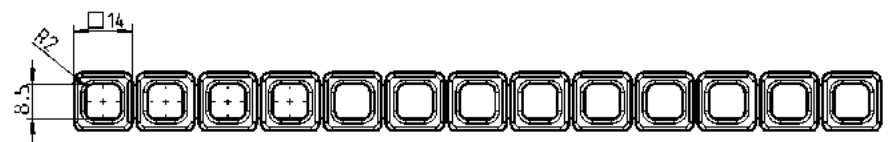
RL



Cable shunting ring polyamide V0 black

fixing material M6

1071-01



Further parts see page
– Electronic locking systems
Chapter 11

Cable grommet low density polyethylene black

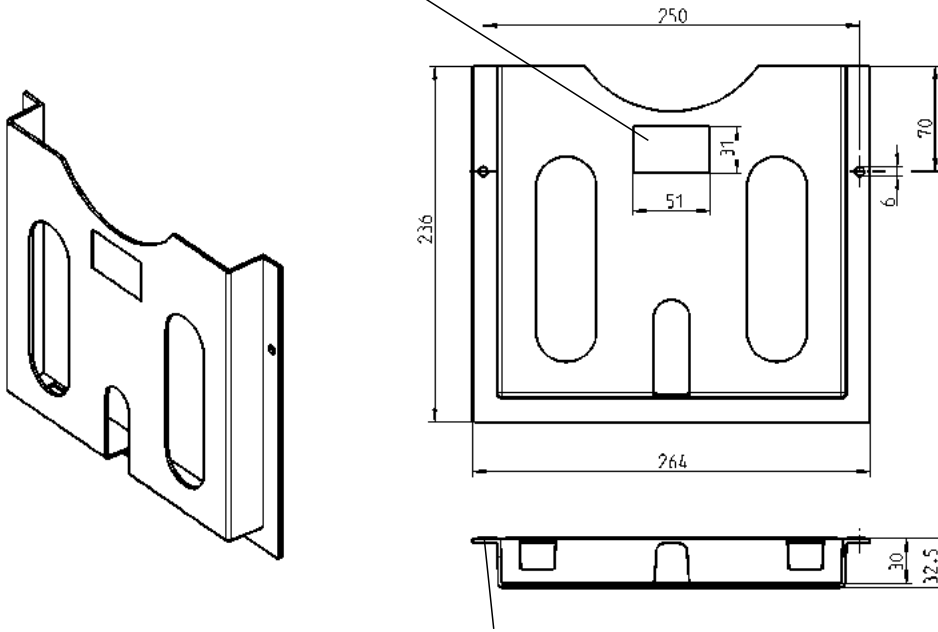
Bar of 13 pieces

1071-U1

Drawing pocket

PROGRAM 1013

cavity 51x31x0,2, moulded logo or multicolour print possible

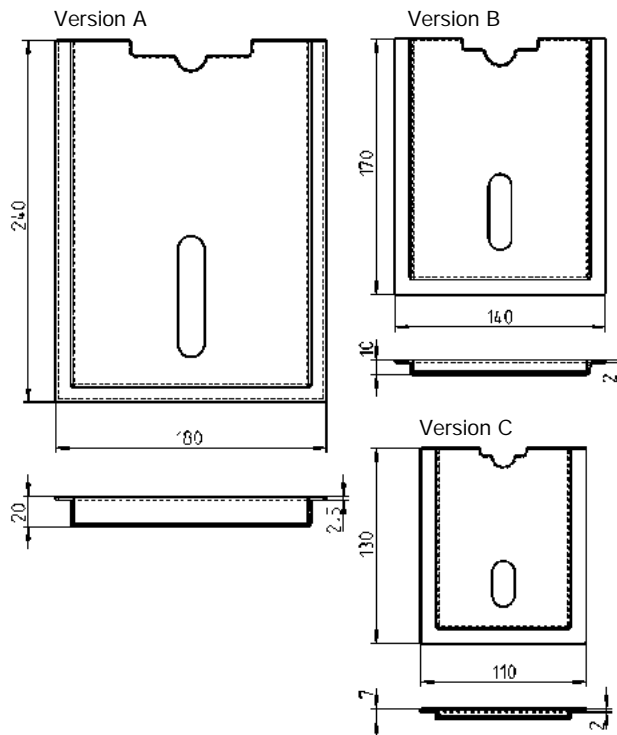
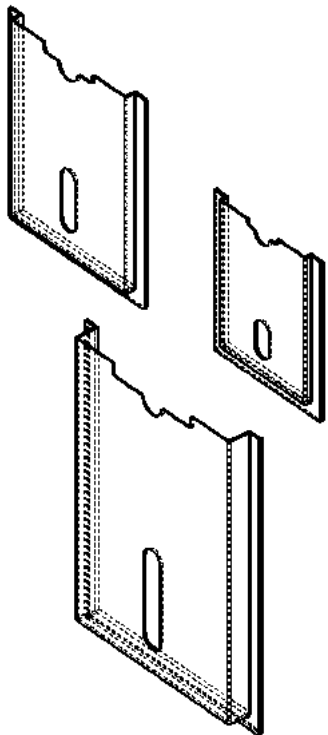
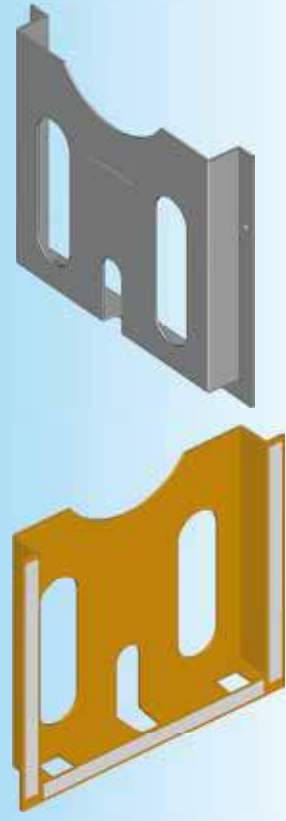


Self-adhesive, for heavy duty application use the 2 installation-holes Size DIN A4

Drawing pocket PS impact proof, self-adhesive

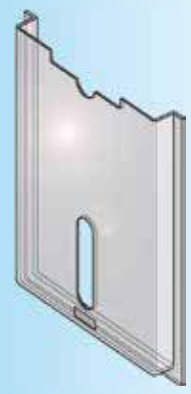
grey	1013-U1
orange	1013-U2

RL



Drawing pocket SAN, transparent, self-adhesive

Version A	1013-U5
Version B	1013-U4
Version C	1013-U3



Info

1 Quarter turns

RL



IP 54

2 Rod controls



3 Locking systems

4 Hinges

5 Gasketing

6 Handles

7 Aluminium windows

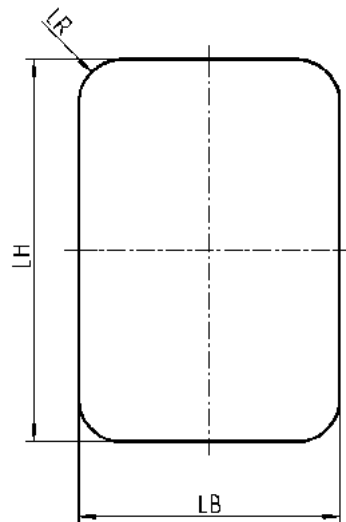
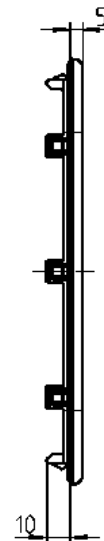
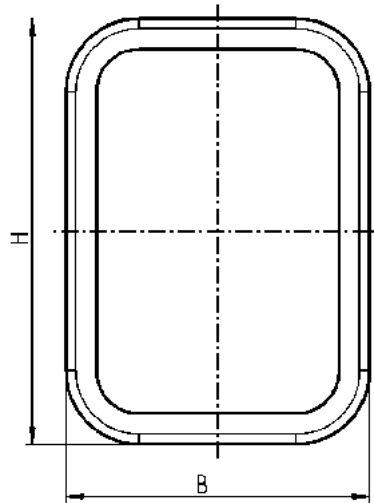
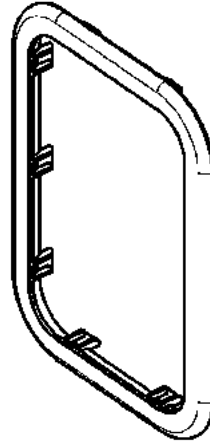
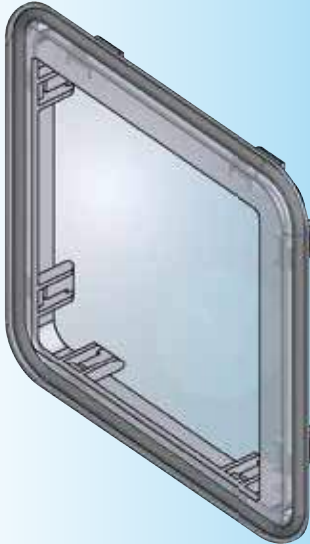
8 Stainless steel

9 Latches

10 Air-conditioning

11 EMKA Electronics

12 Miscellaneous



Cut out

Clip-in window polycarbonate glass clear, with gasketing

H	B	LH	LB	LR	Ts	
110	110	94,4	94,4	6	1,5	1250-U1
110	110	94,4	94,4	6	2	1250-U3
175	125	157,2	107,2	20	1,5	1250-U2

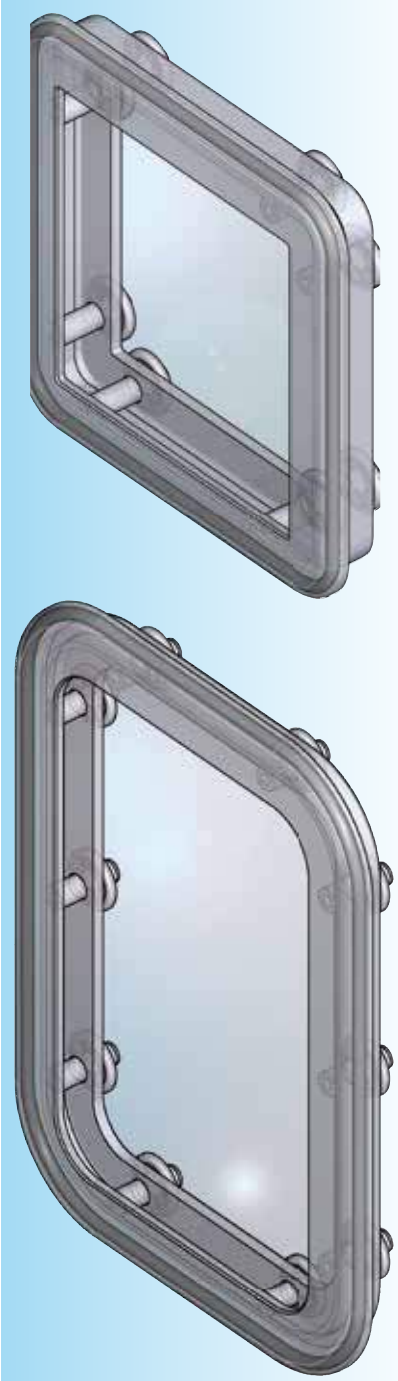
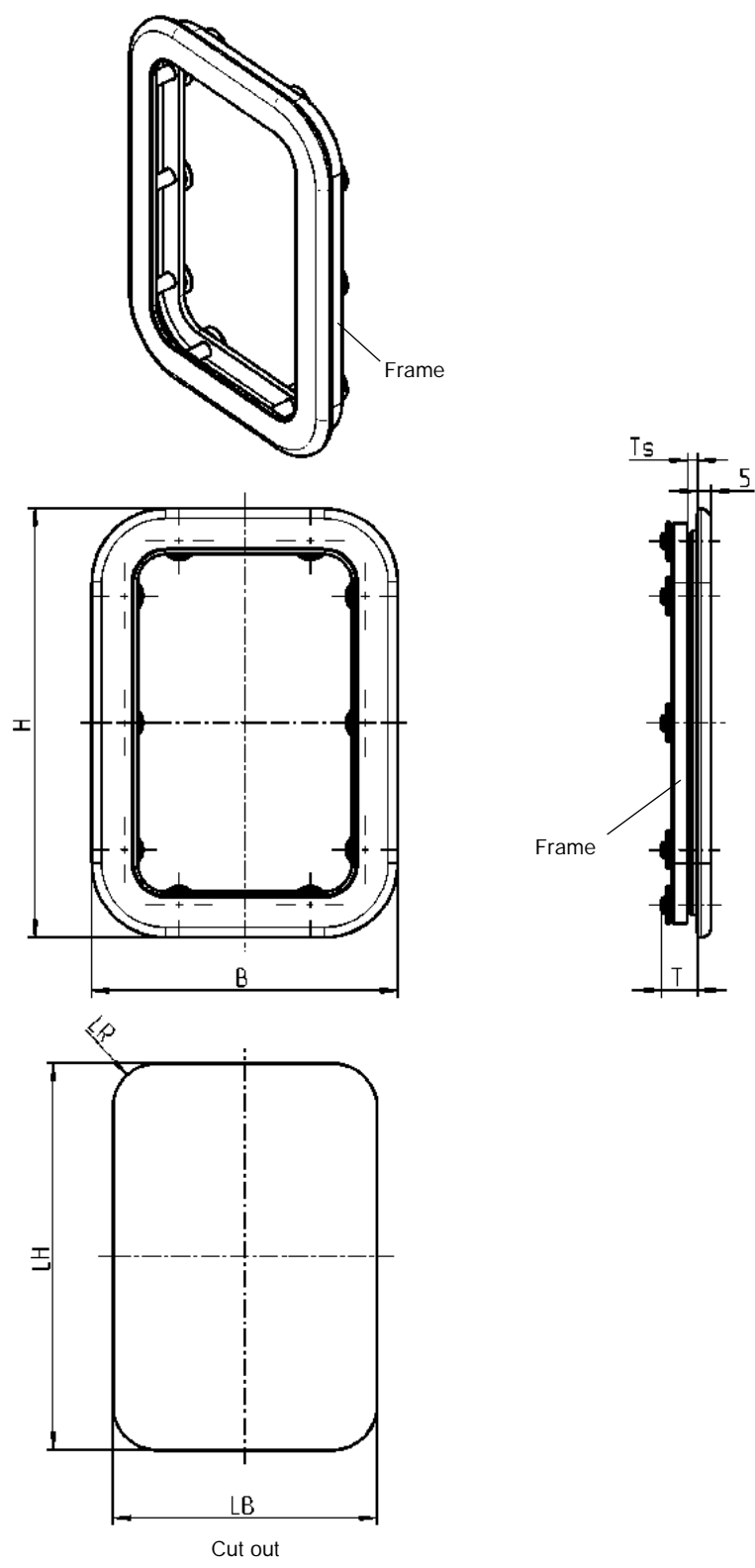
Other sizes on request

12D-520

(6A-260)

Window PROGRAM 1250

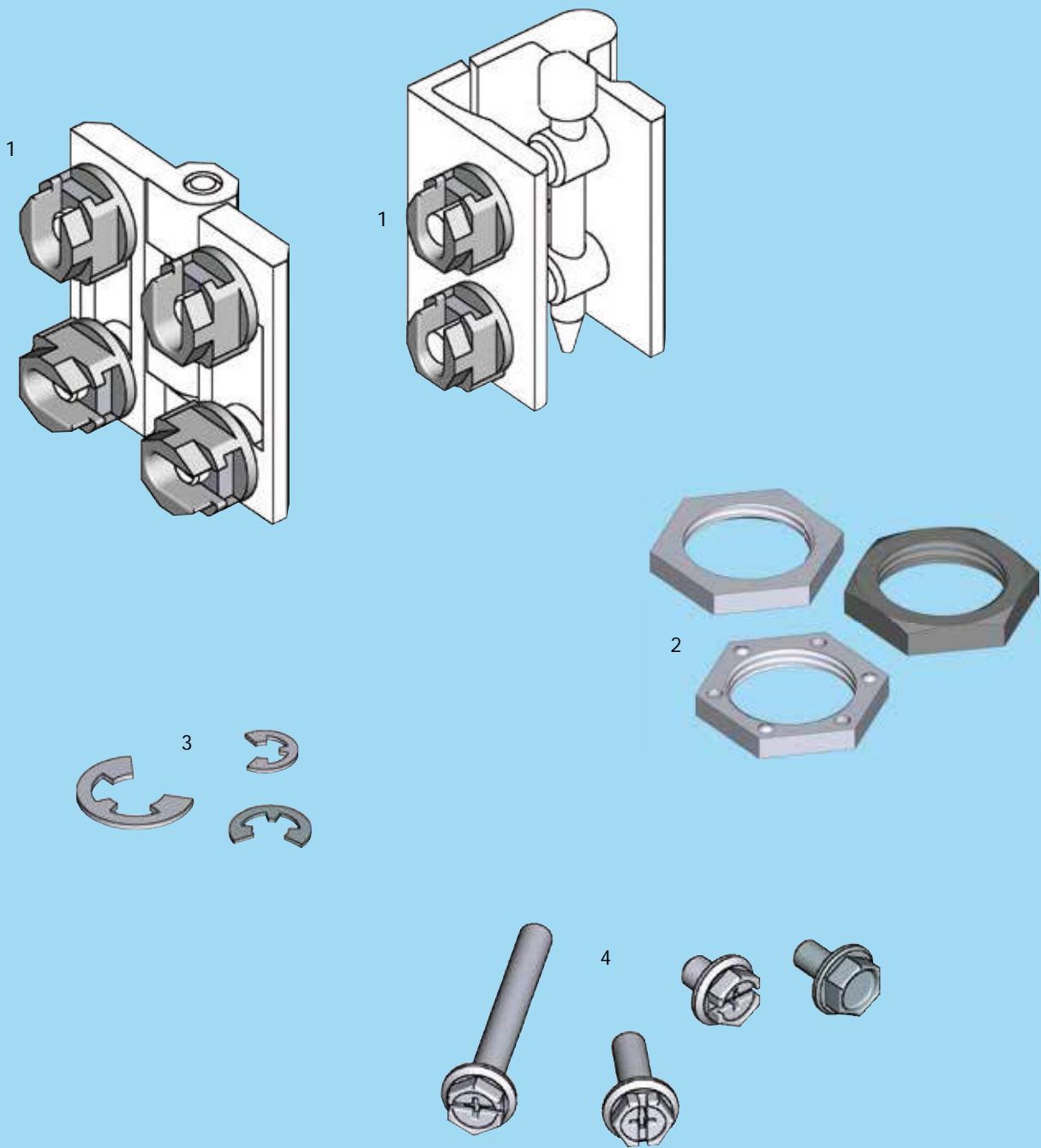
Beschlagteile



Window polycarbonate glass clear, star lock washer m.s. zinc plated, with seal							
H	B	T	LH	LB	LR	Ts	
Window without frame							
110	110	17	95,5	95,5	6	3 - 13	1250-U4
175	125	15	156,5	107	20	3 - 12	1250-U6
Window with frame polycarbonate							
110	110	17	95,5	95,5	6	< 5	1250-U5
175	125	15	156,5	107	20	< 6	1250-U7

Other sizes on request

Fixing material

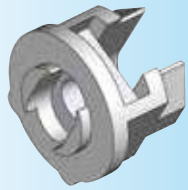


- 1 2D-nut example for assembling hinge 12E-120
- 2 Nut for program 1000, 1001, 1022, 1102, 1103 und 1107 12E-140
- 3 Circlip DIN 6799 12E-140
- 4 Vibration proof screw with and without loctite 12E-160

12E-100

Info
1 Quarter turns
2 Rod controls
3 Locking systems
4 Hinges
5 Gasketing
6 Handles
7 Aluminium windows
8 Stainless steel
9 Latches
10 Air-conditioning
11 EMKA Electronics
12 Miscellaneous

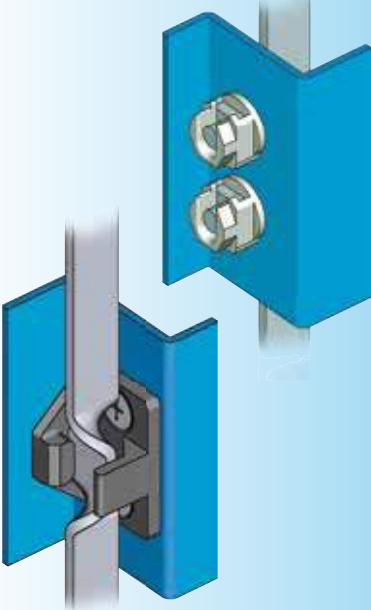
Info
1 Quarter turns
2 Rod controls
3 Locking systems
4 Hinges
5 Gasketing
6 Handles
7 Aluminium windows
8 Stainless steel
9 Latches
10 Air-conditioning
11 EMKA Electronics
12 Miscellaneous



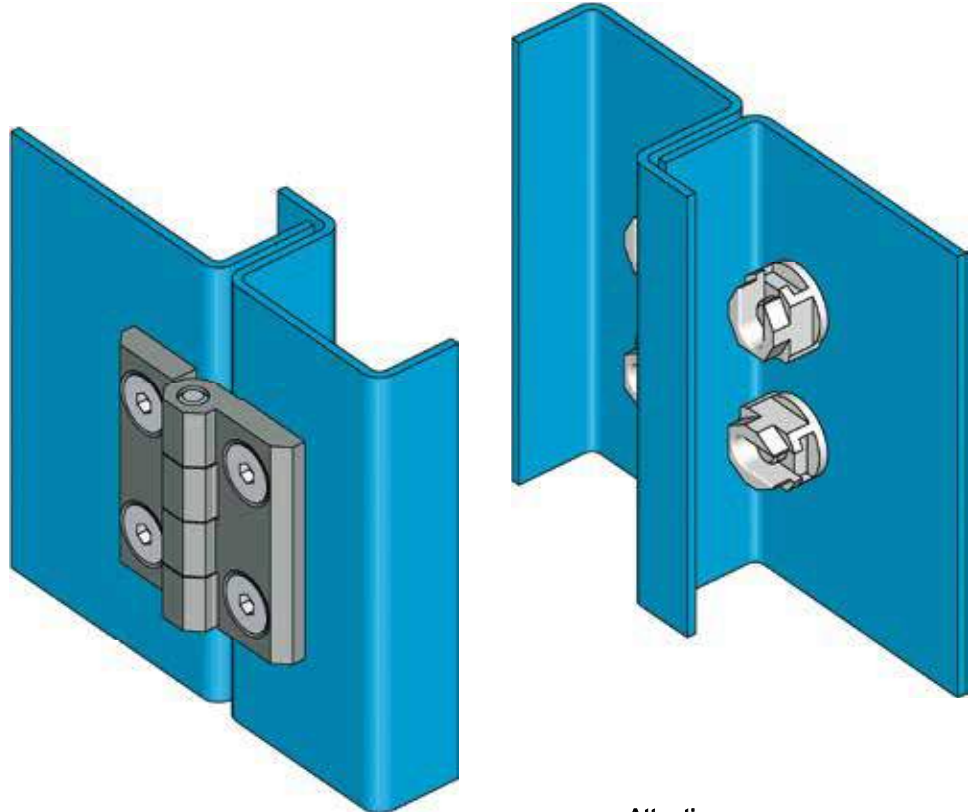
Cut out
Ø10



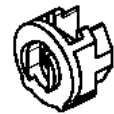
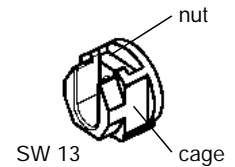
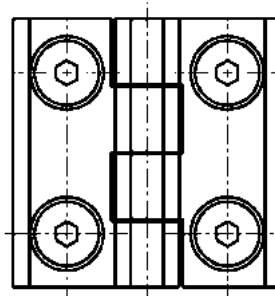
Example for assembling catch



Example for assembling hinge for in-line door

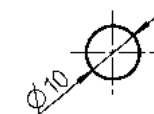
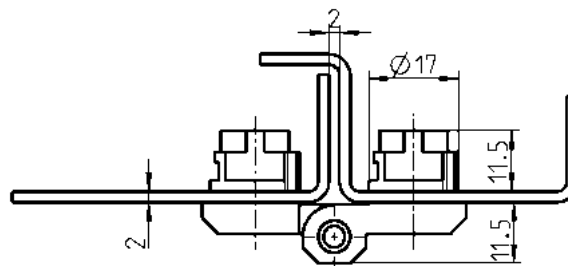


Attention:
every 2D-nut is adjustable ± 2 mm in the horizontal and vertical direction.



Further parts see page

- Catch 3ZA-1220
- Hinge for prominent door
 - 4A-138
 - 4A-140
 - 4A-170
 - 4A-210
 - 4A-215
 - 8B-180
- Hinge for in-line door
 - 4B-200
 - 4B-210
 - 4B-212
 - 4B-215
 - 4B-245
 - 4B-320
 - 8B-360
 - up to 8B-390
- Cover stay
 - 8C-520
 - 8C-540
 - 12C-140
 - 12C-160
 - 12C-220



Cut out for 2D-nut M6

Convenience:
1. Identification of adjustability is not possible from the outside.

2. By using the 2D-nut it is possible to use every front mounted hinge or catch as an 2D part.

other thread parameters on request

2D-nut cage zinc die zinc plated, nut m.s. zinc plated

M6 with SW 13

1056-U51

Nut, circlip

PROGRAM UNIVERSAL

Nut



Screw-in safety earthing quarter turn program

By use of the earthenut our screw-in quarter turn is in accordance to the standard VDE-regulation 0660/part 5.

The earthenut is produced with teeth, which under pressure removes the enamel in a limited way and makes sure there is a metallic contact (earthing).

Standard nuts could not meet this requirement due to the high quality of the enamel.

Earthing of a cabinet should be inspected by qualified personnel.

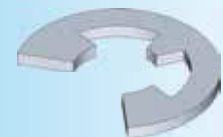
Nut M16x1 for program 1022

	Zinc die	m.s. zinc pl.
Nut	-	1022-05-JB
Earthnut	1022-11-01KA	1022-11-JB

Nut M22x1,5 for program 1000

	m.s. zinc plated	AISI 303	polyamide
Nut	1000-02-JB	1000-02-PF	1000-02-SI
Earthnut	1000-111-JB	-	-

Circlip

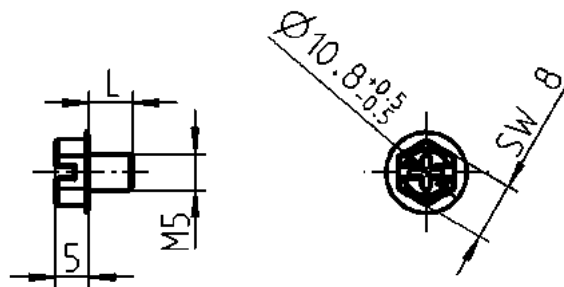
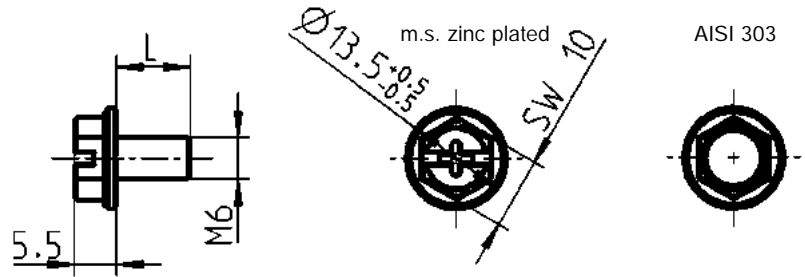


Circlip DIN 6799

d	m.s. zinc pl.	AISI 303
4	000039	-
5	000042	000041
6	000048	-
8	000154	-



locking teeth



Vibration proof screw with Philips head, slot and hexagon (not AISI 303)

M6xL	m.s. zinc plated	m.s. zinc plated with loctite	AISI 303
6	1000-277-02JB	1000-277-02JC	-
8	1000-277-03JB	1000-277-03JC	-
10	1000-277-01JB	1000-277-01JC	1000-277-01PI
16	1000-277-11JB	1000-277-11JC	-
20	1000-277-04JB	1000-277-04JC	-
23	-	1000-277-13JC	-
25	1000-277-05JB	1000-277-05JC	-
30	1000-277-06JB	-	-
40	1000-277-07JB	-	-
50	1000-277-21JB	-	-
M5xL			m.s. zinc plated
6			1000-277-09JB

Part no.	Catalogue page	Part no.	Catalogue page	Part no.	Catalogue page	Part no.	Catalogue page
000039	12E-140	1000-20	1B-820	1000-50	3YA-820	1000-223	1C-120
000041	12E-140	1000-20	1C-120	1000-50	3YA-840	1000-223	8A-320
000042	12E-140	1000-21	1B-340	1000-50	3YB-440	1000-223-PD	1C-120
000048	12E-140	1000-21	1B-820	1000-51	1B-820	1000-223-PD	8A-320
000104	3ZA-340	1000-21	1C-120	1000-51	1C-120	1000-225	1C-120
000154	12E-140	1000-22	1B-340	1000-51	3YA-820	1000-225	8A-320
		1000-22	1B-820	1000-51	3YA-840	1000-225-PD	1C-120
1000-02-B	12E-140	1000-22	1C-120	1000-51	3YB-440	1000-225-PD	8A-320
1000-02-PF	12E-140	1000-23	1B-140	1000-52	1B-820	1000-227	1C-120
1000-02-SI	12E-140	1000-23	1B-160	1000-52	1C-120	1000-227	8A-320
1000-04	2A-120	1000-23	1B-360	1000-52	3YA-820	1000-227-PD	1C-120
1000-05	2A-120	1000-23	1B-760	1000-52	3YA-840	1000-227-PD	8A-320
1000-06	2A-120	1000-23	1B-840	1000-52	3YB-440	1000-228	1C-120
1000-07	2A-120	1000-23	1B-860	1000-53	1B-820	1000-228	8A-320
1000-08	2A-120	1000-23	1C-320	1000-53	1C-120	1000-228-PD	1C-120
1000-09	2A-120	1000-23	2A-120	1000-53	3YA-820	1000-228-PD	8A-320
1000-10	1C-120	1000-23	8A-290	1000-53	3YA-840	1000-229	1C-120
1000-10	3YA-820	1000-24	1B-140	1000-53	3YB-440	1000-229	8A-320
1000-10	3YA-840	1000-24	1B-160	1000-54	1B-820	1000-229-PD	1C-120
1000-10	3YB-440	1000-24	1B-360	1000-54	1C-120	1000-229-PD	8A-320
1000-11	1B-820	1000-24	1B-760	1000-54	3YA-820	1000-230	1C-120
1000-11	1C-120	1000-24	1B-840	1000-54	3YA-840	1000-230	8A-320
1000-11	3YA-820	1000-24	1B-860	1000-54	3YB-440	1000-230-PD	1C-120
1000-11	3YA-840	1000-24	2A-120	1000-55	1B-820	1000-230-PD	8A-320
1000-11	3YB-440	1000-24	8A-290	1000-55	1C-120	1000-244	1B-240
1000-12	1B-820	1000-25	1B-820	1000-55	3YA-820	1000-264	1C-380
1000-12	1C-120	1000-25	1C-120	1000-55	3YA-840	1000-265	1C-380
1000-12	3YA-820	1000-25	3YA-820	1000-55	3YB-440	1000-266	1C-380
1000-12	3YA-840	1000-25	3YA-840	1000-56	1B-820	1000-277-01B	1C-125
1000-12	3YB-440	1000-25	3YB-440	1000-56	1C-120	1000-277-01B	12E-160
1000-13	1B-340	1000-26	1B-820	1000-56	3YA-820	1000-277-01C	12E-160
1000-13	1B-820	1000-26	1C-120	1000-56	3YA-840	1000-277-01PI	12E-160
1000-13	1C-120	1000-26	3YA-820	1000-56	3YB-440	1000-277-02B	12E-160
1000-13	3YA-820	1000-26	3YA-840	1000-59	2A-120	1000-277-02C	12E-160
1000-13	3YA-840	1000-26	3YB-440	1000-61	1C-160	1000-277-03B	12E-160
1000-13	3YB-440	1000-27	1B-340	1000-64	2A-120	1000-277-03C	12E-160
1000-14	1B-340	1000-27	1B-820	1000-91	1C-160	1000-277-04B	1C-360
1000-14	1B-820	1000-27	1C-120	1000-93	1C-160	1000-277-04B	12E-160
1000-14	1C-120	1000-27	3YA-820	1000-97-01	1C-320	1000-277-04C	12E-160
1000-14	3YA-820	1000-27	3YA-840	1000-97-02	1C-340	1000-277-05B	12E-160
1000-14	3YA-840	1000-27	3YB-440	1000-111-B	12E-140	1000-277-05C	12E-160
1000-14	3YB-440	1000-27	4A-280	1000-112	1B-340	1000-277-06B	12E-160
1000-15	1B-340	1000-28	1B-340	1000-112	1B-820	1000-277-07B	12E-160
1000-15	1B-820	1000-28	1B-820	1000-112	1C-120	1000-277-09B	12E-160
1000-15	1C-120	1000-28	1C-120	1000-113	1B-340	1000-277-11B	12E-160
1000-15	3YA-820	1000-28	3YA-820	1000-113	1B-820	1000-277-11C	12E-160
1000-15	3YA-840	1000-28	3YA-840	1000-113	1C-120	1000-277-13C	12E-160
1000-15	3YB-440	1000-28	3YB-440	1000-114	1C-620	1000-277-21B	12E-160
1000-16	1B-340	1000-33	1C-620	1000-114	3ZB-120	1000-293	3YB-440
1000-16	1B-820	1000-33	3ZB-120	1000-115	1C-620	1000-294	3YB-440
1000-16	1C-120	1000-34	1C-620	1000-115	3ZB-120	1000-295	3YB-440
1000-16	3YA-820	1000-34	3ZB-120	1000-127	1B-240	1000-296	3YB-440
1000-16	3YA-840	1000-35	1C-620	1000-179	1C-120	1000-297	3YB-440
1000-16	3YB-440	1000-35	3ZB-120	1000-179	8A-320	1000-298	3YB-440
1000-17	1B-340	1000-36	1C-620	1000-179-PD	1C-120	1000-299	3YB-440
1000-17	1B-820	1000-36	3ZB-120	1000-179-PD	8A-320	1000-300	3YB-440
1000-17	1C-120	1000-37	1C-620	1000-180	1C-120	1000-301	3YB-440
1000-17	3YA-820	1000-37	3ZB-120	1000-180	8A-320	1000-302	3YB-440
1000-17	3YA-840	1000-38	1C-620	1000-180-PD	1C-120	1000-303	3YB-440
1000-17	3YB-440	1000-38	3ZB-120	1000-180-PD	8A-320	1000-304	3YB-440
1000-18	1B-340	1000-39	1C-620	1000-203	10A-520	1000-305	3YB-440
1000-18	1B-820	1000-39	3ZB-120	1000-211-L	1C-620	1000-306	3YB-440
1000-18	1C-120	1000-48	1C-180	1000-211-L	3ZB-120	1000-307	3YB-440
1000-19	1B-340	1000-49	1C-180	1000-221	1C-120	1000-308	3YB-440
1000-19	1B-820	1000-50	1B-340	1000-221	8A-320	1000-309	3YB-440
1000-19	1C-120	1000-50	1B-820	1000-221-PD	1C-120	1000-310	3YB-440
1000-20	1B-340	1000-50	1C-120	1000-221-PD	8A-320	1000-311	3YB-440

1	Quarter turns
2	Rod controls
3	Locking systems
4	Hinges
5	Gasketing
6	Handles
7	Aluminium windows
8	Stainless steel
9	Latches
10	Air-conditioning
11	EMKA Electronics
12	Miscellaneous

Part no.	Catalogue page	Part no.	Catalogue page	Part no.	Catalogue page	Part no.	Catalogue page
1000-352	2A-120	1000-5161	1B-160	1000-U33	3YB-440	1000-U103	1B-580
1000-358	1C-320	1000-5161	1C-120	1000-U34	1C-120	1000-U104	1B-580
1000-358-01	1C-320	1000-5161	3YA-820	1000-U34	3YB-440	1000-U105	1B-580
1000-359	1C-320	1000-5161	3YA-840	1000-U35	1C-120	1000-U106	1B-580
1000-386-18	1B-160	1000-5164	1B-160	1000-U35	3YB-440	1000-U107	1B-580
1000-386-18	1C-120	1000-5164	1C-120	1000-U36	1C-120	1000-U108	1B-580
1000-386-20	1B-160	1000-5164	3YA-820	1000-U36	3YB-440	1000-U109	1B-580
1000-386-20	1C-120	1000-5164	3YA-840	1000-U37	1C-120	1000-U110	1B-580
1000-386-22	1B-160			1000-U37	3YB-440	1000-U111	1B-580
1000-386-22	1C-120	1000-SU324	1B-222	1000-U38	1C-120	1000-U112	1B-580
1000-386-24	1B-160	1000-SU720	1B-222	1000-U38	3YB-440	1000-U113	1B-580
1000-386-24	1C-120	1000-SU724	1B-222	1000-U39	1C-120	1000-U114	1B-580
1000-386-28	1B-160	1000-SU725	1B-222	1000-U39	3YB-440	1000-U115	1B-580
1000-386-28	1C-120	1000-SU730	1B-222	1000-U40	1C-120	1000-U116	1B-560
1000-386-30	1B-160	1000-SU733	1B-222	1000-U40	3YB-440	1000-U117	1B-560
1000-386-30	1C-120	1000-SU735	1B-222	1000-U41	1C-120	1000-U118	1B-560
1000-387	1B-240	1000-SU736	1B-222	1000-U41	3YB-440	1000-U119	1B-560
1000-390	10A-520	1000-SU752	1B-222	1000-U42	1C-120	1000-U120	1B-560
1000-391	10A-520	1000-SU861	1B-222	1000-U42	3YB-440	1000-U121	1B-560
1000-392	10A-520			1000-U43	1C-120	1000-U122	1B-560
1000-456-AA	1C-360	1000-U1	1B-140	1000-U43	3YB-440	1000-U123	1B-560
1000-456-B	1C-360	1000-U2	1B-140	1000-U44	1C-120	1000-U124	1B-560
1000-460	1C-340	1000-U3	1B-140	1000-U44	3YB-440	1000-U125	1B-560
1000-476	1C-137	1000-U4	1B-140	1000-U45	1B-140	1000-U126	1B-560
1000-477	1C-137	1000-U5	1B-140	1000-U45-G	1B-140	1000-U127	1B-560
1000-478	1C-137	1000-U6	1B-140	1000-U46	1B-140	1000-U128	1B-560
1000-488-AA	12A-222	1000-U7	1B-140	1000-U46-D	1B-120	1000-U129	1B-560
1000-488-AA	12A-224	1000-U7-G	1B-140	1000-U47	1B-140	1000-U130	1B-560
1000-526-AA	3ZB-180	1000-U9	1B-560	1000-U47-G	1B-140	1000-U131	1B-560
1000-551	1B-180	1000-U10	1B-560	1000-U49	1C-620	1000-U132	1B-560
1000-551-01	1B-180	1000-U10-PH	1B-560	1000-U49	1C-620	1000-U133	1B-560
1000-551-02	1B-180	1000-U10-PH	8A-260	1000-U49	3ZB-120	1000-U134	1B-140
1000-556-KA	1C-125	1000-U11	1B-560	1000-U49	3ZB-120	1000-U134	8A-220
1000-590	1B-170	1000-U11-PH	1B-560	1000-U51	1B-140	1000-U135	1B-140
1000-591	1B-170	1000-U11-PH	8A-260	1000-U54	1B-140	1000-U135	8A-220
1000-592	1B-170	1000-U12	1C-180	1000-U54-G	1B-140	1000-U136	1B-140
1000-593	1B-170	1000-U13	1B-140	1000-U55	1B-140	1000-U136	8A-220
1000-594	1B-170	1000-U14	1B-580	1000-U55-G	1B-140	1000-U137	1B-140
1000-595	1B-170	1000-U15	1B-580	1000-U56	1B-140	1000-U137	8A-220
1000-597	1B-170	1000-U15-PH	1B-580	1000-U56-G	1B-140	1000-U138	1B-140
1000-598	1B-170	1000-U15-PH	8A-260	1000-U57	1B-580	1000-U138	8A-220
1000-599	1B-170	1000-U16	1B-580	1000-U58	1B-580	1000-U139	8A-320
1000-600	1B-170	1000-U16-PH	1B-580	1000-U59	1B-580	1000-U140	8A-320
1000-601	1B-170	1000-U16-PH	8A-260	1000-U60	1B-560	1000-U141	1C-620
1000-602	1B-170	1000-U17	1B-140	1000-U61	1B-560	1000-U141	1C-620
1000-603	1B-170	1000-U18	1B-140	1000-U62	1B-560	1000-U141	3ZB-120
1000-990	1B-120	1000-U20	1B-140	1000-U63	1C-120	1000-U141	8A-360
1000-990	1B-140	1000-U21	1C-120	1000-U64	1C-120	1000-U142	1B-140
1000-990	1B-840	1000-U22	1C-120	1000-U65	1B-140	1000-U144-L	1C-620
1000-990	1B-860	1000-U23	1C-120	1000-U66	1B-140	1000-U144-L	3ZB-120
1000-990	8A-290	1000-U24	1C-120	1000-U67	1B-140	1000-U149	1B-540
1000-990	10A-520	1000-U25	1C-120	1000-U68	1B-140	1000-U150	1B-540
1000-991	1B-140	1000-U26	1C-120	1000-U69	1B-140	1000-U150-PH	1B-540
1000-991	1B-840	1000-U26	3YB-440	1000-U78	1B-140	1000-U150-PH	8A-260
1000-991	1B-860	1000-U27	1C-120	1000-U89	1B-620	1000-U151	1B-540
1000-991	8A-220	1000-U27	3YB-440	1000-U90	1B-620	1000-U151-PH	1B-540
1000-991	8A-290	1000-U28	1C-120	1000-U91	1B-620	1000-U151-PH	8A-260
1000-5043-SI	1C-120	1000-U28	3YB-440	1000-U92	1B-620	1000-U152	1B-540
1000-5046	1B-160	1000-U29	1C-120	1000-U93	1B-620	1000-U153	1B-540
1000-5046	1C-120	1000-U29	3YB-440	1000-U94	1B-620	1000-U154	1B-540
1000-5046	3YA-820	1000-U30	1C-120	1000-U95	1B-620	1000-U155	1B-140
1000-5046	3YA-840	1000-U30	3YB-440	1000-U96	1B-140	1000-U155-D	1B-120
1000-5046-SI	1C-120	1000-U31	1C-120	1000-U98	1B-580	1000-U155-G	1B-140
1000-5119	1B-160	1000-U31	3YB-440	1000-U99	1B-580	1000-U156	8A-220
1000-5119	1C-120	1000-U32	1C-120	1000-U100	1B-580	1000-U157	1B-240
1000-5119	3YA-820	1000-U32	3YB-440	1000-U101	1B-580	1000-U158	1B-240
1000-5119	3YA-840	1000-U33	1C-120	1000-U102	1B-580	1000-U159	1B-240

Part no.	Catalogue page	Part no.	Catalogue page	Part no.	Catalogue page	Part no.	Catalogue page
1000-U160	1B-240	1000-U236-NPH	1C-180	1000-U343	1B-540	1000-U408	1B-540
1000-U164	1B-140	1000-U236-NPH	8A-340	1000-U344	1B-540	1000-U409	1B-540
1000-U164	1B-240	1000-U237	1B-540	1000-U345	1B-540	1000-U410	1B-540
1000-U165	1B-140	1000-U238	1B-540	1000-U346	1B-540	1000-U411	1B-540
1000-U165	1B-240	1000-U239	1B-540	1000-U347	1B-540	1000-U412	1B-540
1000-U166	1B-140	1000-U240	1B-540	1000-U348	1B-540	1000-U413	1B-540
1000-U166	1B-240	1000-U241	1B-540	1000-U349	1B-760	1000-U414	1B-540
1000-U167	1C-120	1000-U242	1B-540	1000-U350	1B-760	1000-U415	1B-540
1000-U167	3YB-440	1000-U246	1B-140	1000-U351	1B-140	1000-U416	1B-540
1000-U168	1B-140	1000-U247	1B-240	1000-U351	8A-220	1000-U417	1B-540
1000-U169	1B-140	1000-U248	1B-140	1000-U352	1B-140	1000-U418	1B-540
1000-U182	1B-140	1000-U249	1B-140	1000-U352	8A-220	1000-U419	1B-540
1000-U183	1B-140	1000-U250	1B-240	1000-U353	1B-580	1000-U420	1B-540
1000-U183	8A-220	1000-U252-01	1B-320	1000-U354	1B-580	1000-U422	1B-620
1000-U184-N	1B-140	1000-U254-01	1B-320	1000-U355	1B-580	1000-U423	1B-620
1000-U184-N2	1B-120	1000-U256-01	1B-320	1000-U356	1B-580	1000-U426	1B-860
1000-U185-N	1B-140	1000-U258-01	1B-320	1000-U357	1B-580	1000-U427	1B-860
1000-U185-N2	1B-120	1000-U260-01	1B-320	1000-U358	1B-580	1000-U429-01	1B-680
1000-U186-N	1B-140	1000-U262-01	1B-320	1000-U359	1B-580	1000-U429-01PH	1B-680
1000-U186-N2	1B-120	1000-U264-01	1B-320	1000-U360	1B-580	1000-U429-01PH	8A-270
1000-U187-N	1B-140	1000-U266-01	1B-320	1000-U361	1B-580	1000-U431	1B-860
1000-U187-N2	1B-120	1000-U268-01	1B-320	1000-U362	1B-580	1000-U431-01	1B-860
1000-U188-N	1B-140	1000-U269	1B-540	1000-U363	1B-580	1000-U431-PF	1B-860
1000-U188-N2	1B-120	1000-U270	1B-540	1000-U364	1B-580	1000-U431-PF	8A-290
1000-U189	1B-620	1000-U271	1B-540	1000-U365	1B-580	1000-U432	1B-860
1000-U194	1B-140	1000-U272	1B-540	1000-U366	1B-580	1000-U434	1B-620
1000-U195	1B-140	1000-U273	1B-540	1000-U367	1B-580	1000-U435	1B-620
1000-U196-N	1B-140	1000-U274	1B-540	1000-U368	1B-580	1000-U436	1B-680
1000-U196-N2	1B-120	1000-U275	1B-540	1000-U369	1B-580	1000-U436-PF	1B-680
1000-U197	1B-140	1000-U276	1B-540	1000-U370	1B-580	1000-U437	1B-680
1000-U198	1B-140	1000-U277	1B-540	1000-U371	1B-580	1000-U438	1B-680
1000-U198	1B-240	1000-U278	1B-540	1000-U372	1B-560	1000-U439	1B-680
1000-U202-01	1B-320	1000-U279	1B-540	1000-U373	1B-560	1000-U499	1B-860
1000-U204-01	1B-320	1000-U280	1B-540	1000-U374	1B-560	1000-U500	1B-860
1000-U206-01	1B-320	1000-U281	1B-540	1000-U375	1B-560	1000-U501	1B-620
1000-U208-01	1B-320	1000-U282	1B-540	1000-U376	1B-560	1000-U502	1B-620
1000-U210-01	1B-320	1000-U283	1B-540	1000-U377	1B-560	1000-U504	1B-140
1000-U212-01	1B-320	1000-U284	1B-540	1000-U378	1B-560	1000-U505	1B-140
1000-U214-01	1B-320	1000-U285	1B-540	1000-U379	1B-560	1000-U506	1B-140
1000-U216-01	1B-320	1000-U286	1B-540	1000-U380	1B-560	1000-U507	1B-140
1000-U218-01	1B-320	1000-U315-N	1C-180	1000-U381	1B-560	1000-U509	1B-140
1000-U219	1B-140	1000-U316-N	1C-180	1000-U382	1B-560	1000-U510	1B-140
1000-U219-G	1B-140	1000-U317	1B-140	1000-U383	1B-560	1000-U510	8A-220
1000-U220	1B-140	1000-U318	1B-140	1000-U384	1B-560	1000-U512	1B-540
1000-U220-G	1B-140	1000-U322	1B-140	1000-U385	1B-560	1000-U513	1B-540
1000-U221	1B-140	1000-U323	1B-140	1000-U386	1B-560	1000-U514	1B-540
1000-U221-G	1B-140	1000-U324	1B-140	1000-U387	1B-560	1000-U515	1B-540
1000-U222	1B-140	1000-U325	1B-140	1000-U388	1B-560	1000-U516	1B-540
1000-U222-G	1B-140	1000-U326	1B-140	1000-U389	1B-560	1000-U517	1B-540
1000-U223	1B-140	1000-U327	1B-140	1000-U390	1B-580	1000-U518	1B-540
1000-U223-G	1B-140	1000-U328	1B-140	1000-U391	1B-580	1000-U519	1B-540
1000-U224	1B-140	1000-U329	1B-140	1000-U392	1B-580	1000-U520	1B-540
1000-U224-G	1B-140	1000-U330	1B-140	1000-U393	1B-580	1000-U521	1B-540
1000-U225	1B-140	1000-U331	1B-140	1000-U394	1B-580	1000-U522	1B-540
1000-U226	1B-140	1000-U332	1B-140	1000-U395	1B-620	1000-U523	1B-540
1000-U227	1B-140	1000-U333	1B-140	1000-U396	1B-620	1000-U524	1B-540
1000-U228	1B-140	1000-U334	1B-140	1000-U397	1B-620	1000-U525	1B-540
1000-U229	1B-140	1000-U334	8A-220	1000-U398	1B-620	1000-U526	1B-540
1000-U230	1B-140	1000-U335	1B-140	1000-U399	1B-620	1000-U527	1B-540
1000-U231	1B-240	1000-U335	8A-220	1000-U400	1B-620	1000-U528	1B-540
1000-U232	1B-240	1000-U336	1B-140	1000-U401	1B-620	1000-U529	1B-540
1000-U233	1B-240	1000-U337	1B-560	1000-U402	1B-620	1000-U530	1B-140
1000-U234	1B-240	1000-U338	1B-560	1000-U403	1B-540	1000-U530	8A-220
1000-U235-N	1C-180	1000-U339	1B-560	1000-U404	1B-540	1000-U531	1B-140
1000-U235-NPH	1C-180	1000-U340	1B-560	1000-U405	1B-540	1000-U531	8A-220
1000-U235-NPH	8A-340	1000-U341	1B-560	1000-U406	1B-540	1000-U532	1B-140
1000-U236-N	1C-180	1000-U342	1B-560	1000-U407	1B-540	1000-U532	8A-220

Part no.	Catalogue page	Part no.	Catalogue page	Part no.	Catalogue page	Part no.	Catalogue page
1000-U533	1B-140	1000-U554	1B-560	1000-U621	1B-580	1000-U662-23	3YB-420
1000-U533	8A-220	1000-U555	1B-560	1000-U622	1B-580	1000-U662-23	3YC-120
1000-U534	1B-140	1000-U556	1B-560	1000-U623	1B-580	1000-U662-23	3YC-140
1000-U534	8A-220	1000-U557	1B-560	1000-U624	1B-580	1000-U662-25	3YB-420
1000-U535	1B-140	1000-U558	1B-560	1000-U625	1B-580	1000-U662-25	3YC-120
1000-U536	1B-140	1000-U559	1B-560	1000-U626	1B-580	1000-U662-25	3YC-140
1000-U536	8A-220	1000-U560	1B-560	1000-U627	1B-580	1000-U662-27	3YB-420
1000-U537	1B-140	1000-U561	1B-560	1000-U628	1B-580	1000-U662-27	3YC-120
1000-U537	8A-220	1000-U562	1B-560	1000-U629	1B-580	1000-U662-27	3YC-140
1000-U538-L	1C-620	1000-U563	1B-560	1000-U630	1B-140	1000-U662-29	3YB-420
1000-U538-L	3ZB-120	1000-U564	1B-560	1000-U630	8A-220	1000-U662-29	3YC-120
1000-U538-L	8A-360	1000-U565	1B-560	1000-U631	1B-140	1000-U662-29	3YC-140
1000-U539	1B-240	1000-U566	1B-560	1000-U631	8A-220	1000-U662-31	3YB-420
1000-U540	1B-240	1000-U567	1B-560	1000-U632	3YB-420	1000-U662-31	3YC-120
1000-U541	1B-240	1000-U568	1B-560	1000-U632	3YC-120	1000-U662-31	3YC-140
1000-U542	1B-240	1000-U569	1B-560	1000-U632	3YC-140	1000-U662-35	3YB-420
1000-U543	1B-240	1000-U570	1B-580	1000-U633	1B-540	1000-U662-35	3YC-120
1000-U544-23	3YB-420	1000-U571	1B-580	1000-U634	1B-540	1000-U662-35	3YC-140
1000-U544-23	3YC-120	1000-U572	1B-580	1000-U635	1B-540	1000-U662-38	3YB-420
1000-U544-23	3YC-140	1000-U573	1B-580	1000-U636	1B-540	1000-U662-38	3YC-120
1000-U544-25	3YB-420	1000-U574	1B-580	1000-U637	1B-540	1000-U662-38	3YC-140
1000-U544-25	3YC-120	1000-U575	1B-580	1000-U638	1B-540	1000-U662-40	3YB-420
1000-U544-25	3YC-140	1000-U576	1B-580	1000-U639	1B-540	1000-U662-40	3YC-120
1000-U544-27	3YB-420	1000-U577	1B-580	1000-U640	1B-540	1000-U662-40	3YC-140
1000-U544-27	3YC-120	1000-U578	1B-580	1000-U641	1B-540	1000-U663	3YB-420
1000-U544-27	3YC-140	1000-U579	1B-580	1000-U642	1B-540	1000-U663	3YC-120
1000-U544-29	3YB-420	1000-U580	1B-580	1000-U643	1B-540	1000-U663	3YC-140
1000-U544-29	3YC-120	1000-U581	1B-580	1000-U644	1B-540	1000-U664	1B-560
1000-U544-29	3YC-140	1000-U582	1B-580	1000-U645	1B-540	1000-U664	8A-260
1000-U544-31	3YB-420	1000-U583	1B-580	1000-U646	1B-540	1000-U665	1B-540
1000-U544-31	3YC-120	1000-U584	1B-580	1000-U647	1B-540	1000-U665	8A-260
1000-U544-31	3YC-140	1000-U585	1B-580	1000-U648	1B-540	1000-U666	1B-160
1000-U544-35	3YB-420	1000-U586	1B-580	1000-U649	1B-540	1000-U667	1B-160
1000-U544-35	3YC-120	1000-U587	1B-580	1000-U650	1B-540	1000-U675	1B-160
1000-U544-35	3YC-140	1000-U588	1B-580	1000-U652-01	1B-320	1000-U676	1B-160
1000-U544-38	3YB-420	1000-U589	1B-580	1000-U653	1B-840	1000-U677	1B-160
1000-U544-38	3YC-120	1000-U590	1B-580	1000-U655-01	1B-320	1000-U678	1B-160
1000-U544-38	3YC-140	1000-U591	1B-580	1000-U656	1B-620	1000-U679	1B-160
1000-U545-23	3YB-420	1000-U592	1B-580	1000-U657	1B-620	1000-U680	1B-160
1000-U545-23	3YC-120	1000-U593	1B-580	1000-U658	1B-580	1000-U681	1C-170
1000-U545-23	3YC-140	1000-U594	1B-560	1000-U658	8A-260	1000-U682	1C-170
1000-U545-25	3YB-420	1000-U595	1B-560	1000-U659	1B-620	1000-U683	1C-170
1000-U545-25	3YC-120	1000-U596	1B-560	1000-U660	1B-620	1000-U684	1C-170
1000-U545-25	3YC-140	1000-U597	1B-560	1000-U661-23	3YB-420	1000-U685	1C-170
1000-U545-27	3YB-420	1000-U598	1B-560	1000-U661-23	3YC-120	1000-U686	1C-170
1000-U545-27	3YC-120	1000-U599	1B-560	1000-U661-23	3YC-140	1000-U687	1B-320
1000-U545-27	3YC-140	1000-U600	1B-560	1000-U661-25	3YB-420	1000-U688	1B-320
1000-U545-29	3YB-420	1000-U601	1B-560	1000-U661-25	3YC-120	1000-U689	1B-320
1000-U545-29	3YC-120	1000-U602	1B-560	1000-U661-25	3YC-140	1000-U690	1B-320
1000-U545-29	3YC-140	1000-U603	1B-560	1000-U661-27	3YB-420	1000-U691	1B-320
1000-U545-31	3YB-420	1000-U604	1B-560	1000-U661-27	3YC-120	1000-U692	1B-320
1000-U545-31	3YC-120	1000-U605	1B-560	1000-U661-27	3YC-140	1000-U693	1B-320
1000-U545-31	3YC-140	1000-U606	1B-560	1000-U661-29	3YB-420	1000-U694	1B-320
1000-U545-35	3YB-420	1000-U607	1B-560	1000-U661-29	3YC-120	1000-U695	1B-160
1000-U545-35	3YC-120	1000-U608	1B-560	1000-U661-29	3YC-140	1000-U696	1B-160
1000-U545-35	3YC-140	1000-U609	1B-560	1000-U661-31	3YB-420	1000-U709	1B-160
1000-U545-38	3YB-420	1000-U610	1B-560	1000-U661-31	3YC-120	1000-U710-01	1B-320
1000-U545-38	3YC-120	1000-U611	1B-560	1000-U661-31	3YC-140	1000-U710-01	8A-240
1000-U545-38	3YC-140	1000-U612	1B-580	1000-U661-35	3YB-420	1000-U711	1B-160
1000-U546	1B-560	1000-U613	1B-580	1000-U661-35	3YC-120	1000-U712-01	1B-320
1000-U547	1B-560	1000-U614	1B-580	1000-U661-35	3YC-140	1000-U712-01	8A-240
1000-U548	1B-560	1000-U615	1B-580	1000-U661-38	3YB-420	1000-U713-01	1B-320
1000-U549	1B-560	1000-U616	1B-580	1000-U661-38	3YC-120	1000-U714-01	1B-320
1000-U550	1B-560	1000-U617	1B-580	1000-U661-38	3YC-140	1000-U714-01	8A-240
1000-U551	1B-560	1000-U618	1B-580	1000-U661-40	3YB-420	1000-U715-01	1B-320
1000-U552	1B-560	1000-U619	1B-580	1000-U661-40	3YC-120	1000-U715-01	8A-240
1000-U553	1B-560	1000-U620	1B-580	1000-U661-40	3YC-140	1000-U716-01	1B-320

Part no.	Catalogue page	Part no.	Catalogue page	Part no.	Catalogue page	Part no.	Catalogue page
1000-U716-01	8A-240	1000-U769	8A-220	1000-U818-03IA	1B-332	1000-U874	1C-125
1000-U717-01	1B-320	1000-U769	8A-290	1000-U818-04IA	1B-332	1000-U876	1B-140
1000-U717-01	8A-240	1000-U770	1B-640	1000-U818-05IA	1B-332	1000-U878	1B-140
1000-U718-01	1B-320	1000-U771	1B-640	1000-U819-01IA	1B-332	1000-U879	1B-140
1000-U718-01	8A-240	1000-U773	1B-520	1000-U819-02IA	1B-332	1000-U880	1B-222
1000-U719-01	1B-320	1000-U773-01	1B-520	1000-U819-03IA	1B-332	1000-U882	1B-220
1000-U719-01	8A-240	1000-U774	1B-520	1000-U819-04IA	1B-332	1000-U883	1B-180
1000-U720-01	1B-320	1000-U774-01	1B-520	1000-U820	1B-230	1000-U892	1C-135
1000-U720-01	8A-240	1000-U775	1B-520	1000-U821	1B-230	1000-U895	1B-180
1000-U721-01	1B-320	1000-U775-01	1B-520	1000-U822	1B-230	1000-U902	1B-170
1000-U721-01	8A-240	1000-U776	1C-120	1000-U823	1B-230	1000-U903	1B-170
1000-U722-01	1B-320	1000-U776-PH	1C-120	1000-U824	1B-230	1000-U904	1B-170
1000-U722-01	8A-240	1000-U776-PH	8A-340	1000-U825	1B-230	1000-U905	1B-170
1000-U723-01	1B-320	1000-U777	1B-220	1000-U826	1B-230	1000-U907	1B-170
1000-U723-01	8A-240	1000-U777-01	1B-220	1000-U827	1B-230	1000-U908	1B-170
1000-U724-01	1B-320	1000-U777-01	8A-230	1000-U828	1B-230	1000-U909	1B-170
1000-U724-01	8A-240	1000-U778	12A-220	1000-U829	2A-180	1000-U910	1B-140
1000-U725	1B-320	1000-U779	12A-222	1000-U830	1B-222	1000-U912	1B-170
1000-U725	8A-240	1000-U780	12A-224	1000-U831	1B-220	1000-U913	1B-170
1000-U726	1B-320	1000-U781	12A-224	1000-U831-01	1B-220	1000-U914	1B-170
1000-U726	8A-240	1000-U781-V	12A-224	1000-U831-01	8A-230	1000-U915	1B-170
1000-U727	1B-320	1000-U783	1B-220	1000-U835	1B-335	1000-U916	1B-170
1000-U727	8A-240	1000-U784	1B-230	1000-U837	1B-850	1000-U917	1B-170
1000-U728	1B-320	1000-U785	1B-230	1000-U838-02	1B-835	1000-U918	1B-170
1000-U728	8A-240	1000-U786	1B-222	1000-U838-02	8A-290	1000-U919	1B-170
1000-U729	1B-140	1000-U787	1B-230	1000-U838-02PF	1B-835	1000-U920	1B-170
1000-U729	8A-220	1000-U788	1B-230	1000-U838-02PF	8A-290	1000-U921	1B-170
1000-U732-01	1B-320	1000-U789	1B-230	1000-U841	1B-140	1000-U922	1B-170
1000-U733-01	1B-320	1000-U790	1B-230	1000-U842	1B-690	1000-U923	1B-170
1000-U734	1B-680	1000-U791	1B-230	1000-U842	8A-276	1000-U924	1B-170
1000-U735	1B-680	1000-U792	1B-230	1000-U844	1B-520	1000-U925	1B-170
1000-U736	1B-140	1000-U793	1B-230	1000-U845	1B-520		
1000-U737	1B-140	1000-U794	1B-222	1000-U846	1B-237	1001-11	1C-620
1000-U738	1B-140	1000-U795	1B-220	1000-U848	1B-237	1001-12	1C-620
1000-U739	1B-140	1000-U796	1B-220	1000-U852	1B-210	1001-13	1C-620
1000-U740	1B-760	1000-U798	1B-220	1000-U852-IA	1B-210	1001-14	1C-620
1000-U740-01	1B-760	1000-U799	1B-222	1000-U852-PH	1B-210	1001-15	1C-620
1000-U742	1B-380	1000-U802	1B-222	1000-U852-PH	8A-225	1001-16	1C-620
1000-U743	1B-380	1000-U803	1B-222	1000-U853	1B-210	1001-17	1C-620
1000-U744	1B-720	1000-U804	1B-222	1000-U853-PH	1B-210	1001-18	2B-120
1000-U745	1B-720	1000-U805	1B-220	1000-U853-PH	8A-225	1001-18	2B-120
1000-U746-01	1B-340	1000-U807	1B-220	1000-U854	1B-210	1001-18	2B-130
1000-U747	1B-340	1000-U808	1B-222	1000-U854-PH	1B-210	1001-18	2B-135
1000-U748	1B-220	1000-U809	1B-220	1000-U854-PH	8A-225	1001-18	2B-180
1000-U748-01	1B-220	1000-U811	1B-220	1000-U855	1B-210	1001-19	2B-120
1000-U748-01	8A-230	1000-U812	1B-222	1000-U855-PH	1B-210	1001-19	2B-120
1000-U749	1B-220	1000-U813	1B-222	1000-U855-PH	8A-225	1001-19	2B-130
1000-U749-01	1B-220	1000-U816	1B-222	1000-U856	1B-210	1001-19	2B-135
1000-U749-01	8A-230	1000-U817-01PH	1B-330	1000-U856-PH	1B-210	1001-20	1C-640
1000-U751	1B-380	1000-U817-01PH	8A-242	1000-U856-PH	8A-225	1001-21	1C-640
1000-U752	1B-380	1000-U817-02IA	1B-330	1000-U857	1B-690	1001-22	1C-640
1000-U753	1B-540	1000-U817-03IA	1B-330	1000-U858	1C-170	1001-23	2B-160
1000-U754	1B-540	1000-U817-03PH	1B-330	1000-U859-IA	1B-210	1001-24	2B-160
1000-U755-01	1B-220	1000-U817-03PH	8A-242	1000-U859-PH	1B-210	1001-25	2B-160
1000-U755-01	8A-230	1000-U817-04IA	1B-330	1000-U859-PH	8A-225	1001-26	2B-160
1000-U757	1B-140	1000-U817-05IA	1B-330	1000-U860	1B-650	1001-27	2B-160
1000-U757-01	1B-140	1000-U817-05PH	1B-330	1000-U860	8A-274	1001-28	2B-160
1000-U762	1B-720	1000-U817-05PH	8A-242	1000-U860-01AA	1B-650	1001-28	2B-180
1000-U763	1B-720	1000-U817-07PH	1B-330	1000-U860-01IA	1B-650	1001-29	2B-160
1000-U764	1B-720	1000-U817-07PH	8A-242	1000-U861	1B-837	1001-29	2B-180
1000-U765	1B-720	1000-U817-08IA	1B-330	1000-U861	8A-285	1001-30	2B-160
1000-U768	1B-840	1000-U817-16IA	1B-330	1000-U862	1B-837	1001-31	2B-160
1000-U769	1B-140	1000-U817-17IA	1B-330	1000-U862	8A-285	1001-32	2B-160
1000-U769	1B-360	1000-U817-23IA	1B-330	1000-U864-IA	1B-210	1001-33	2B-160
1000-U769	1B-760	1000-U817-24PH	1B-330	1000-U864-PH	1B-210	1001-33	2B-180
1000-U769	1B-840	1000-U817-24PH	8A-242	1000-U864-PH	8A-225	1001-34	2B-160
1000-U769	1B-860	1000-U818-02IA	1B-332	1000-U873	1B-180	1001-35	2B-160

Part no.	Catalogue page	Part no.	Catalogue page	Part no.	Catalogue page	Part no.	Catalogue page
1001-36	2B-160	1003-14-N	5A-120	1010-03-01	5A-520	1012-U1	1A-420
1001-45	2A-120	1003-15-N	5A-120	1010-04-01	5A-520	1012-U2	1A-420
1001-46	2A-120	1003-24-N	5A-120	1010-04-02	5A-520	1012-U3	1A-420
1001-47	2A-120			1010-05	5A-540	1012-U4	1A-420
1001-48	2A-120	1004-01	12B-120	1010-06	5A-560		
1001-49	2A-120	1004-02	12B-120	1010-06-01	5A-560	1013-U1	12D-420
1001-50	2A-120	1004-03	12B-120	1010-08	5A-560	1013-U2	12D-420
1001-50	3A-220	1004-04	12B-120	1010-09	5A-540	1013-U3	12D-420
1001-50	3AB-220	1004-05	12B-120	1010-10	5A-520	1013-U4	12D-420
1001-65	2A-180	1004-06	12B-120	1010-11	5A-560	1013-U5	12D-420
1001-69	2A-180	1004-17	12B-120	1010-11-01	5A-560		
1001-70	2A-180	1004-18	12B-120	1010-12	5A-540	1016-13	5A-440
1001-71	2A-180	1004-19	12B-120			1016-14	5A-440
1001-72	2A-180	1004-20	1A-120	1011-05	5A-220	1016-15	5A-440
1001-73	2A-180	1004-20	12B-120	1011-05-09	5B-120	1016-16	5A-440
		1004-21	1A-120	1011-05-E	5C-120	1016-17	5A-440
1001-U1	2B-135	1004-21	1A-420	1011-05-FR01	5D-120	1016-18	5A-440
1001-U2	2B-135	1004-21	12B-120	1011-06	5A-260	1016-19	5A-440
1001-U9	2B-180	1004-24	12B-120	1011-06-09	5B-120	1016-20	5A-440
1001-U10	2B-180	1004-26	12B-120	1011-06-E	5C-120	1016-21	5A-440
1001-U11	1C-640	1004-29	12B-120	1011-08	5A-300	1016-22	5A-440
1001-U11	3ZC-220	1004-29-01	1B-360	1011-09	5A-240	1016-23	5A-440
1001-U12	1C-640	1004-30	12B-120	1011-09-09	5B-140	1016-24	5A-440
1001-U12	3ZC-220	1004-31	12B-120	1011-09-E	5C-120	1016-61	5A-440
1001-U13	2A-120	1004-33	12B-120	1011-09-FR01	5D-120	1016-62	5A-440
1001-U14	2A-120	1004-33-01	1B-720	1011-10	5A-220	1016-63	5A-440
1001-U15	2A-120	1004-34	1A-420	1011-10-09	5B-120	1016-64	5A-440
1001-U16	2A-120	1004-34	12B-120	1011-10-E	5C-120	1016-65	5A-440
1001-U17	2A-120	1004-34-01	1B-720	1011-12	5A-280	1016-66	5A-440
1001-U18	2A-120	1004-35	12B-120	1011-15	5A-220	1016-67	5A-440
1001-U19	2B-120	1004-36	1A-420	1011-16	5A-260	1016-68	5A-440
1001-U20	2B-120	1004-36	12B-120	1011-17	5A-300	1016-69	5A-440
1001-U21	2A-180	1004-37	12B-120	1011-18	5A-240	1016-70	5A-440
1001-U22	2A-180	1004-38	12B-120	1011-19	5A-280	1016-71	5A-440
1001-U23	2A-180	1004-39	12B-120	1011-20	5A-260	1016-72	5A-440
1001-U24	2A-120	1004-41	12B-120	1011-21	5A-240	1016-75	5A-440
1001-U25	2A-120	1004-42	12B-120	1011-22	5A-280	1016-76	5A-440
1001-U26	2A-120	1004-44-01AA	3AB-120	1011-23	5A-260	1016-77	5A-440
1001-U27	2A-120	1004-44-01AA	3AB-160	1011-24	5A-220	1016-78	5A-440
1001-U28	2A-120	1004-45	1B-340	1011-25	5A-260	1016-79	5A-440
1001-U29	2A-120	1004-48	12B-120	1011-26	5A-300	1016-80	5A-440
1001-U30	2B-120	1004-49	12B-120	1011-27	5A-340	1016-81	5A-440
1001-U31	2B-120	1004-51	12B-120	1011-29	5A-360	1016-82	5A-440
1001-U32	2A-120	1004-52	12B-120	1011-30	5A-340	1016-83	5A-440
1001-U33	2A-120	1004-53	1B-835	1011-31	5A-360	1016-84	5A-440
1001-U40	1C-640	1004-53	1B-837	1011-32	5A-360	1016-85	5A-440
1001-U40	3ZC-220	1004-53	8A-285	1011-33	5A-320	1016-86	5A-440
1001-U41	1C-640	1004-53	8A-290	1011-34	5A-240	1016-87	5A-440
1001-U41	3ZC-220	1004-54	12B-120	1011-35	5A-320	1016-88	5A-440
1001-U47	1C-630			1011-36	5A-340	1016-89	5A-440
1001-U47	3ZC-210	1005-U1	2B-160	1011-37	5A-360	1016-90	5A-440
		1005-U2	2B-160	1011-40	5A-320	1016-91	5A-440
1002-04	2B-120	1005-U3	2B-160	1011-41	5A-300	1016-92	5A-440
1002-05	2B-120	1005-U4	2B-160	1011-44	5A-320	1016-93	5A-440
		1005-U5	2B-160	1011-45	5A-280	1016-94	5A-440
1002-U1	2B-120	1005-U6	2B-160	1011-45-FR01	5D-120	1016-95	5A-440
				1011-46	5A-300	1016-96	5A-440
1003-01	5A-120	1006-U1	4B-120	1011-47	5A-220	1016-97	5A-440
1003-02	5A-120	1006-U1-PC	4B-120	1011-48	5A-300	1016-98	5A-440
1003-03	5A-120	1006-U1-PC	8B-320	1011-49	5A-220	1016-99	5A-440
1003-04	5A-120			1011-50	5A-220	1016-100	5A-440
1003-07	5A-140	1007-U1	4B-120	1011-51-FR01	5D-120	1016-101	5A-440
1003-11-N	5A-120	1007-U2	4B-120			1016-102	5A-440
1003-11-N9	5B-140			1012-05	1A-420	1016-103	5A-440
1003-12-N	5A-120	1010-01	5A-540	1012-06-G	1A-420	1016-104	5A-440
1003-12-N9	5B-140	1010-02	5A-520	1012-08	1A-420	1016-105	5A-440
1003-13-N	5A-120	1010-03	5A-520			1016-106	5A-440

Part no.	Catalogue page	Part no.	Catalogue page	Part no.	Catalogue page	Part no.	Catalogue page
1016-107	5A-440	1016-174	5A-440	1022-U3	1A-120	1022-U71	1A-120
1016-108	5A-440	1016-175	5A-440	1022-U4	1A-120	1022-U72	1A-120
1016-109	5A-440	1016-176	5A-440	1022-U8	1A-120	1022-U73	1A-120
1016-110	5A-440	1016-177	5A-440	1022-U9	1A-120	1022-U74	1A-120
1016-111	5A-440	1016-178	5A-440	1022-U10	1A-160	1022-U75	1A-120
1016-112	5A-440	1016-179	5A-440	1022-U11	1A-160	1022-U76	1A-120
1016-113	5A-440	1016-180	5A-440	1022-U12	1A-160	1022-U77	1A-120
1016-114	5A-440	1016-181	5A-440	1022-U13	1A-160	1022-U78	1A-120
1016-115	5A-440	1016-182	5A-440	1022-U14	1A-160	1022-U82	1A-120
1016-116	5A-440	1016-183	5A-440	1022-U15	1A-160	1022-U83	1A-220
1016-117	5A-440	1016-184	5A-440	1022-U16	1A-160	1022-U83-IA	1A-220
1016-118	5A-440	1016-185	5A-440	1022-U17	1A-160	1022-U84	1A-220
1016-119	5A-440	1016-186	5A-440	1022-U18	1A-160	1022-U84-IA	1A-220
1016-120	5A-440	1016-187	5A-440	1022-U19	1A-160	1022-U85	1A-220
1016-121	5A-440	1016-188	5A-440	1022-U20	1A-160	1022-U85-IA	1A-220
1016-122	5A-440	1016-189	5A-440	1022-U21	1A-160	1022-U86	1E-320
1016-123	5A-440	1016-190	5A-440	1022-U22	1A-160	1022-U89	1A-320
1016-124	5A-440	1016-191	5A-440	1022-U23	1A-160	1022-U90	1A-320
1016-125	5A-440	1016-192	5A-440	1022-U24	1A-160	1022-U91	1A-320
1016-126	5A-440	1016-193	5A-440	1022-U25	1A-160	1022-U94	1A-220
1016-127	5A-440	1016-194	5A-440	1022-U26	1A-160		
1016-128	5A-440	1016-220-127E	5C-120	1022-U27	1A-160	1030-01	5A-620
1016-129	5A-440	1016-220-220E	5C-120	1022-U29	1A-140	1030-02	5A-620
1016-130	5A-440	1016-220-254E	5C-120	1022-U30	1A-140	1030-03	5A-620
1016-131	5A-440			1022-U31	1A-140	1030-04	5A-620
1016-132	5A-440	1017-14	2B-140	1022-U32	1A-140	1030-05	5A-620
1016-133	5A-440	1017-15	2B-140	1022-U33	1A-140	1030-07	5A-620
1016-134	5A-440			1022-U34	1A-140	1030-10	5A-620
1016-135	5A-440	1019-U1	1C-620	1022-U37	1A-140		
1016-136	5A-440			1022-U38	1A-140	1030-U1	5A-620
1016-137	5A-440	1022-01-02	1A-120	1022-U39	1A-140		
1016-138	5A-440	1022-05-B	12E-140	1022-U40	1A-140	1031-U1	4A-130
1016-139	5A-440	1022-07	1A-120	1022-U41	1A-140	1031-U2	4A-130
1016-140	5A-440	1022-07	1A-140	1022-U42	1A-140	1031-U2	8B-140
1016-141	5A-440	1022-07-PC	1A-120	1022-U43	1A-120	1031-U7	4A-134
1016-142	5A-440	1022-07-PC	8A-120	1022-U44	1A-120	1031-U10	4A-130
1016-143	5A-440	1022-08	1A-120	1022-U45	1A-120	1031-U12	4A-135
1016-144	5A-440	1022-08	1A-140	1022-U46	1A-120	1031-U13	4A-135
1016-145	5A-440	1022-08-PC	1A-120	1022-U47	1A-120	1031-U13	8B-150
1016-146	5A-440	1022-08-PC	8A-120	1022-U48	1A-140	1031-U14	4A-137
1016-147	5A-440	1022-09	1A-120	1022-U49	1A-140	1031-U14	8B-150
1016-148	5A-440	1022-10	1A-120	1022-U50	1A-140	1031-U15	4A-136
1016-149	5A-440	1022-11-JB	12E-140	1022-U51	1A-140	1031-U15	8B-152
1016-150	5A-440	1022-11-01KA	12E-140	1022-U52	1A-140	1031-U16	4A-133
1016-151	5A-440	1022-20	1A-120	1022-U53	1A-140	1031-U17-PC	4A-133
1016-152	5A-440	1022-20	1A-140	1022-U54	1A-140	1031-U18	4A-137
1016-153	5A-440	1022-20-PC	1A-120	1022-U55	1A-140	1031-U19	4A-135
1016-154	5A-440	1022-20-PC	8A-120	1022-U56	1A-140	1031-U20	4A-135
1016-155	5A-440	1022-23-01	1A-120	1022-U57	1A-140	1031-U21	4A-136
1016-156	5A-440	1022-49	1A-240	1022-U58	1A-140	1031-U22	4A-135
1016-157	5A-440	1022-50	1A-240	1022-U59	1A-140		
1016-158	5A-440	1022-51	1A-240	1022-U60	1A-120	1032-U1	4A-130
1016-159	5A-440	1022-54-01	1A-320	1022-U60	8A-120	1032-U2	4A-130
1016-160	5A-440	1022-54-02	1A-320	1022-U61	1A-120	1032-U2	8B-140
1016-161	5A-440	1022-54-03	1A-320	1022-U61	8A-120	1032-U5	4A-130
1016-162	5A-440	1022-55-01	1A-320	1022-U62	1A-120	1032-U6	4A-121
1016-163	5A-440	1022-55-02	1A-320	1022-U62	8A-120		
1016-164	5A-440	1022-55-03	1A-320	1022-U63	1A-120	1033-U1	4A-300
1016-165	5A-440	1022-56-01	1A-320	1022-U63	8A-120	1033-U2	4A-300
1016-166	5A-440	1022-56-02	1A-320	1022-U64	1A-120	1033-U3	4A-300
1016-167	5A-440	1022-56-03	1A-320	1022-U64	8A-120	1033-U4	4A-300
1016-168	5A-440	1022-990	1A-120	1022-U65	1A-160	1033-U5	4A-300
1016-169	5A-440	1022-991	1A-120	1022-U66	1A-160	1033-U7	4A-300
1016-170	5A-440	1022-991	8A-120	1022-U67	1A-160	1033-U8	4A-300
1016-171	5A-440			1022-U68	1A-160	1033-U9	4A-300
1016-172	5A-440	1022-U1	1A-120	1022-U69	1A-160	1033-U11	4A-300
1016-173	5A-440	1022-U2	1A-120	1022-U70	1A-160	1033-U13	4A-300

Part no.	Catalogue page	Part no.	Catalogue page	Part no.	Catalogue page	Part no.	Catalogue page
1033-U14	4A-300	1036-U4	4A-290			1049-U14	8A-360
1033-U15	4A-300	1036-U5	4A-290	1047-U2	12A-240	1049-U15	1C-620
1033-U16	4A-300	1036-U6	4A-290	1047-U3	12A-240	1049-U15	3ZB-120
1033-U17	4A-300	1036-U7	4A-290	1047-U4	12A-240	1049-U15	8A-360
1033-U18	4A-300	1036-U9	4A-295	1047-U5	12A-240	1049-U16	1C-620
1033-U20	4A-300	1036-U10	4A-295			1049-U16	3ZB-120
1033-U21	4A-300			1048-U1	1B-420	1049-U16	8A-360
1033-U22	4A-300	1038-01	5A-140	1048-U2	1B-420	1049-U17	1C-620
1033-U24	4A-300	1038-02	5A-140	1048-U3	1B-420	1049-U17	3ZB-120
1033-U26	4A-300	1038-06	5A-140	1048-U4	1B-420	1049-U17	8A-360
1033-U27	4A-300	1038-07	5A-160	1048-U6	1B-420	1049-U18-L	3ZB-120
1033-U28	4A-300	1038-10	5A-160	1048-U6-PH	1B-420	1049-U19	2A-120
1033-U29	4A-300			1048-U6-PH	8A-250	1049-U19	2B-130
1033-U30	4A-300	1039-36	4A-260	1048-U7	1B-420	1049-U20	2A-120
1033-U31	4A-300			1048-U7-PH	1B-420	1049-U20	2B-130
1033-U32	4A-300	1039-U6	4A-260	1048-U7-PH	8A-250		
1033-U33	4A-300	1039-U7	4A-260	1048-U8	1B-420	1050-U1	12C-180
1033-U34	4A-300	1039-U8	4A-260	1048-U9	1B-420	1050-U1-PC	12C-180
1033-U35	4A-300	1039-U10	4B-160	1048-U10	1B-420	1050-U2	12C-180
1033-U36	4A-300	1039-U11	4B-160	1048-U11	1B-420	1050-U2-PC	12C-180
1033-U37	4A-300	1039-U12	4A-250	1048-U12	1B-420	1050-U3	12C-120
1033-U38	4A-300	1039-U13	4B-170	1048-U13	1B-420		
1033-U39	4A-300	1039-U14	4B-170	1048-U14	1B-420	1051-U1	12D-220
1033-U40	4A-300	1039-U15	4B-170	1048-U15	1B-420	1051-U2	12D-220
1033-U41	4A-300	1039-U17	4A-250	1048-U16	1B-420		
1033-U42	4A-300	1039-U18	4B-160	1048-U17	1B-420	1053-U1	12A-340
1033-U44	4A-295	1039-U18	8B-340	1048-U18	1B-420	1053-U2	12A-340
1033-U45	8B-165	1039-U19	4A-250	1048-U19	1B-420	1053-U3	12A-340
1033-U46	8B-165	1039-U19	8B-120	1048-U20	1B-420	1053-U4	12A-340
1033-U47	8B-165	1039-U25	4B-160	1048-U21	1B-420	1053-U5	12A-340
1033-U48	8B-165	1039-U25	8B-340	1048-U22	1B-360	1053-U6	12A-340
1033-U49	8B-165	1039-U26	4A-250	1048-U23	1B-360		
1033-U50	8B-165	1039-U26	8B-120	1048-U25	1B-420	1054-U1	4A-280
1033-U51	8B-165			1048-U26	1B-420	1054-U2	4A-310
1033-U52	8B-165	1042-U1	4B-140	1048-U27	1B-420	1054-U3	4A-310
1033-U55	4A-300			1048-U28	1B-420	1054-U4	4B-280
1033-U56	4A-300	1043-U1	4B-140			1054-U5	4B-280
1033-U57	4A-300			1049-18-L	1C-620	1054-U5-PH	4B-280
1033-U58	4A-300	1044-U1	2B-160	1049-19-L	1C-620	1054-U5-PH	8B-400
1033-U60	4A-300	1044-U2	2B-160	1049-19-L	3ZB-120	1054-U6	4B-290
1033-U61	4A-300	1044-U3	2B-160			1054-U7	4B-280
1033-U63	4A-300	1044-U4	2B-160	1049-U1	2A-120	1054-U8	4A-310
1033-U64	4A-300	1044-U5	2B-160	1049-U1	2B-130	1054-U9	4A-310
1033-U70	4A-300	1044-U6	2B-160	1049-U2	2A-120	1054-U10	4B-280
1033-U70	8B-162	1044-U7	2B-160	1049-U2	2B-130	1054-U11	4B-290
1033-U71	4A-300	1044-U8	2B-160	1049-U3	1C-620	1054-U12	4B-290
1033-U71	8B-162	1044-U9	2B-160	1049-U3	3ZB-120	1054-U13	4B-290
1033-U72	4A-300	1044-U10	2B-160	1049-U4	1C-620	1054-U14	4A-310
1033-U72	8B-162	1044-U11	2B-160	1049-U4	3ZB-120	1054-U15	4A-310
1033-U73	4A-300	1044-U12	2B-160	1049-U5	1C-620	1054-U16	4A-310
1033-U73	8B-162	1044-U13	2B-160	1049-U5	3ZB-120	1054-U17	4A-310
1033-U74	4A-300	1044-U14	2B-160	1049-U6	1C-620	1054-U18	4B-280
1033-U74	8B-162	1044-U15	2B-160	1049-U6	3ZB-120	1054-U19	4B-280
1033-U75	4A-300	1044-U16	2B-160	1049-U7	1C-620	1054-U20	4B-280
1033-U75	8B-162	1044-U17	2B-160	1049-U7	3ZB-120	1054-U21	4B-280
		1044-U18	2B-160	1049-U8	1C-620	1054-U22	4B-280
1034-03	1C-360	1044-U19	2B-160	1049-U8	3ZB-120	1054-U23	4A-310
		1044-U20	2B-160	1049-U9	1C-620	1054-U24	4A-310
1034-U1	1C-360	1044-U21	2B-160	1049-U9	3ZB-120	1054-U25	4A-310
1034-U1	12A-320	1044-U22	2B-160	1049-U12	1C-620	1054-U26	4A-310
				1049-U12	3ZB-120	1054-U27	4B-280
1035-U1	4A-260	1046-U1	4B-130	1049-U12	8A-360	1054-U28	4B-280
1035-U2	4A-260	1046-U2	4B-130	1049-U13	1C-620	1054-U29	4B-280
1035-U3	4A-260	1046-U3	4B-130	1049-U13	3ZB-120	1054-U30	4A-280
		1046-U4	4B-130	1049-U13	8A-360	1054-U31	4B-260
1036-U2	4A-290	1046-U5	4B-130	1049-U14	1C-620	1054-U31-01	4B-260
1036-U3	4A-290	1046-U5	8B-320	1049-U14	3ZB-120	1054-U32	4B-260

Part no.	Catalogue page	Part no.	Catalogue page	Part no.	Catalogue page	Part no.	Catalogue page
1054-U32-01	4B-260	1056-U30	4B-190	1069-U3	4A-120	1089-U2	2B-220
1054-U33-01	4B-250	1056-U31	4B-200	1069-U3	8B-140	1089-U2	3XB-120
1054-U33-02	4B-250	1056-U32	4B-190	1069-U4	4A-120	1089-U2	3XB-220
1054-U34-01	4B-250	1056-U33	4B-240	1069-U4	8B-140	1089-U2	3XB-320
1054-U34-02	4B-250	1056-U34	4A-285	1069-U5	4A-120	1089-U3	2B-220
1054-U35-01	4B-250	1056-U34-PH	4A-285	1069-U6	4A-120	1089-U4	2B-220
1054-U35-02	4B-250	1056-U34-PH	8B-155	1069-U7	4A-134	1089-U5	3XA-120
1054-U36-LI	4B-255	1056-U35	4B-240	1069-U8	4A-134	1089-U6	3XA-120
1054-U36-RE	4B-255	1056-U37	4B-245				
1054-U37	4B-248	1056-U38	4B-245	1071-01	12D-320	1091-01	10A-160
1054-U39	4B-320	1056-U39	4B-245			1091-04	10A-160
1054-U39	8B-390	1056-U40	4B-245	1071-U1	12D-320	1091-06	10A-180
1054-U42-01	4B-252	1056-U41	4B-190			1091-07	10A-180
1054-U43-01	4B-253	1056-U42	4B-200	1072-01	12D-120	1091-17	10A-180
1054-U44-01	4B-253	1056-U43	4B-240	1072-02	12D-120	1091-17-01	10A-180
		1056-U44	4B-240	1072-03	12D-120	1091-17-03	10A-220
1055-U2	4A-250	1056-U49	4B-240			1091-17-03	10A-340
1055-U3	4B-160	1056-U50	4B-240	1072-U1	12D-120	1091-17-04	10A-220
1055-U4	4B-160	1056-U51	12E-120	1072-U11	12D-120	1091-17-04	10A-220
1055-U5	4A-250	1056-U53	4B-212	1072-U12	12D-120	1091-17-05	10A-340
1055-U6	4A-250	1056-U53-PH	4B-212	1072-U13	12D-120	1091-17-05	10A-340
1055-U6	8B-120	1056-U53-PH	8B-385	1072-U14	12D-120	1091-17-G	10A-180
1055-U7	4B-160	1056-U54	4B-212	1072-U15	12D-120	1091-17-01G	10A-180
1055-U7	8B-340	1056-U54-PH	4B-212	1072-U16	12D-120	1091-18	10A-160
1055-U8	4A-250	1056-U54-PH	8B-385	1072-U17	12D-120	1091-18-01	10A-160
1055-U8	8B-120	1056-U55	4B-212			1091-20	10A-140
1055-U9	4B-160	1056-U55-PH	4B-212	1074-01	5A-640	1091-21	10A-140
1055-U9	8B-340	1056-U55-PH	8B-385	1074-02	5A-640	1091-22	10A-140
		1056-U56	4B-212	1074-03	5A-640	1091-23	10A-140
1056-U3	4B-190	1056-U56-PH	4B-212	1074-04	5A-640	1091-24	10A-140
1056-U4	4B-190	1056-U56-PH	8B-385			1091-25	10A-140
1056-U5	4B-190	1056-U57	4B-213	1076-15	12A-620	1091-26	10A-140
1056-U5-PH	4B-190	1056-U57-PH	4B-213	1076-19	12A-620	1091-27	10A-140
1056-U5-PH	8B-360	1056-U57-PH	8B-386	1076-20	12A-620	1091-28	10A-140
1056-U6	4B-190	1056-U58	4B-213			1091-30	10A-180
1056-U6-01	4B-185	1056-U58-PH	4B-213	1076-U5	12A-240	1091-31	10A-180
1056-U7	4B-200	1056-U58-PH	8B-386	1076-U6	12A-240	1091-42	10A-320
1056-U8	4B-200	1056-U59	4B-210	1076-U7	12A-240	1091-59-01	10A-520
1056-U9	4B-200	1056-U59-PH	4B-210	1076-U8	12A-240	1091-59-02	10A-520
1056-U9-PH	4B-200	1056-U59-PH	8B-386	1076-U9	12A-240	1091-59-03	10A-520
1056-U9-PH	8B-360	1056-U60	4B-190	1076-U10	12A-240	1091-59-04	10A-520
1056-U10	4B-200	1056-U61	4B-190	1076-U11	12A-240	1091-59-05	10A-520
1056-U10-01	4B-185	1056-U62	4B-243	1076-U12	12A-240	1091-59-06	10A-520
1056-U11	4B-205	1056-U63	4B-243	1076-U13	12A-620	1091-83-AA	10A-520
1056-U12	4B-205	1056-U64	4B-243	1076-U14	10A-700	1091-91	10A-720
1056-U13	4B-205	1056-U65	4B-243	1076-U15	10A-700	1091-92	10A-720
1056-U13-PH	4B-205	1056-U66	4B-207	1076-U16	10A-700	1091-93	10A-720
1056-U13-PH	8B-380	1056-U66-HW	4B-207			1091-96	10A-420
1056-U14	4B-205	1056-U67	4B-207	1079-U2	4A-285	1091-97	10A-220
1056-U14-01	4B-185	1056-U68	4B-207	1079-U4	4A-285	1091-97	10A-340
1056-U15	4B-200	1056-U110	4B-180	1079-U5-PH	4A-285	1091-103-01	10A-740
1056-U16	4B-200			1079-U5-PH	8B-155	1091-103-02	10A-740
1056-U17	4B-200	1057-U1	1B-820			1091-103-03	10A-740
1056-U17-PH	4B-200	1057-U2	1B-820	1080-U1	12A-520	1091-105	10A-760
1056-U17-PH	8B-380					1091-106	10A-760
1056-U18	4B-200	1059-U1	2B-140	1085-U1	12A-320	1091-109-01	10A-740
1056-U19	4B-210	1059-U1	2B-220			1091-109-02	10A-740
1056-U20	4B-210	1059-U2	2B-140	1087-U1	12C-220	1091-109-03	10A-740
1056-U21	4B-230	1059-U2	2B-220	1087-U1-PC	8C-540		
1056-U22	4B-230			1087-U1-PC	12C-220	1091-U6	10A-120
1056-U23	4B-230	1068-U1	2A-120	1087-U4	12C-220	1091-U6	10A-220
1056-U24	4B-230	1068-U1	2B-140			1091-U7	10A-120
1056-U25	4B-230	1068-U2	2A-120			1091-U7	10A-220
1056-U26	4B-230	1068-U2	2B-140	1089-U1	2B-220	1091-U8	10A-120
1056-U27	4B-215			1089-U1	3XB-120	1091-U8	10A-220
1056-U28	4B-215	1069-U1	4A-120	1089-U1	3XB-220	1091-U9	10A-120
1056-U29	4B-215	1069-U2	4A-120	1089-U1	3XB-320	1091-U9	10A-220

Part no.	Catalogue page	Part no.	Catalogue page	Part no.	Catalogue page	Part no.	Catalogue page
1091-U10	10A-120	1091-U131	10A-640	1095-25-300AA	6A-140	1095-36	6A-120
1091-U10	10A-220	1091-U132	10A-640	1095-25-300KB	6A-140	1095-37	6A-120
1091-U11	10A-120	1091-U133	10A-640	1095-26-100AA	6A-160	1095-38-125AA	6A-190
1091-U11	10A-220	1091-U134	10A-640	1095-26-100KB	6A-160	1095-38-125PC	6A-190
1091-U12	10A-120	1091-U135	10A-640	1095-26-100NA	6A-160	1095-38-125RA	6A-190
1091-U12	10A-220	1091-U136	10A-640	1095-26-112AA	6A-160	1095-38-250AA	6A-190
1091-U13	10A-120	1091-U137	10A-640	1095-26-112KB	6A-160	1095-38-250PC	6A-190
1091-U13	10A-220	1091-U138	10A-640	1095-26-112NA	6A-160	1095-38-250RA	6A-190
1091-U14	10A-120	1091-U139	10A-640	1095-26-112PC	6A-160	1095-39-125PC	6A-190
1091-U14	10A-220	1091-U140	10A-640	1095-26-112PC	8C-320	1095-40-100AA	6A-200
1091-U50	10A-220	1091-U141	10A-640	1095-26-128AA	6A-160	1095-40-120AA	6A-200
1091-U51	10A-220	1091-U142	8A-840	1095-26-128KB	6A-160	1095-40-180AA	6A-200
1091-U52	10A-220	1091-U142	10A-640	1095-26-128NA	6A-160	1095-40-200AA	6A-200
1091-U53	10A-220	1091-U142-01	8A-840	1095-26-128PC	6A-160	1095-41-500AA	6A-210
1091-U54	10A-220	1091-U142-01	10A-640	1095-26-128PC	8C-320	1095-41-600AA	6A-210
1091-U55	10A-220	1091-U142-02	8A-840	1095-26-160AA	6A-160	1095-41-800AA	6A-210
1091-U56	10A-220	1091-U142-02	10A-640	1095-26-160KB	6A-160	1095-42-100AA	6A-160
1091-U57	10A-220	1091-U142-03	8A-840	1095-26-160NA	6A-160	1095-42-100KB	6A-160
1091-U72	10A-340	1091-U142-03	10A-640	1095-26-160PC	6A-160	1095-42-112AA	6A-160
1091-U73	10A-340	1091-U143	12A-440	1095-26-192AA	6A-160	1095-42-112KB	6A-160
1091-U74	10A-340	1091-U143-02	12A-440	1095-26-192KB	6A-160	1095-42-112PS	6A-160
1091-U75	10A-340	1091-U143-01V	12A-440	1095-26-192NA	6A-160	1095-42-120AA	6A-160
1091-U76	10A-340	1091-U144	10A-760	1095-26-200AA	6A-160	1095-42-120KB	6A-160
1091-U77	10A-340	1091-U146	10A-110	1095-26-200KB	6A-160	1095-42-128AA	6A-160
1091-U78	10A-340	1091-U147	10A-110	1095-26-300AA	6A-160	1095-42-128KB	6A-160
1091-U79	10A-340	1091-U150	10A-110	1095-26-300KB	6A-160	1095-42-128PS	6A-160
1091-U80	10A-320	1091-U151	10A-110	1095-26-300NA	6A-160	1095-42-160AA	6A-160
1091-U80	10A-340	1091-U154	10A-110	1095-26-400AA	6A-160	1095-42-160KB	6A-160
1091-U81	10A-320	1091-U155	10A-110	1095-26-400KB	6A-160	1095-42-160PS	6A-160
1091-U81	10A-340	1091-U168	10A-115	1095-26-400NA	6A-160	1095-U01	6A-240
1091-U82	10A-320	1091-U169	10A-115	1095-26-500AA	6A-160	1095-U24-250AA	6A-140
1091-U82	10A-340			1095-26-500KB	6A-160	1095-U24-250KB	6A-140
1091-U83	10A-320	1092-03	2B-180	1095-26-500NA	6A-160	1095-U24-300AA	6A-140
1091-U83	10A-340			1095-27-112AA	6A-160	1095-U24-300AA	6A-140
1091-U84	10A-320	1092-U03	2B-180	1095-27-112KB	6A-160	1095-U24-300KB	6A-140
1091-U84	10A-340	1092-U04	2B-180	1095-27-112NA	6A-160	1095-U24-350AA	6A-140
1091-U85	10A-320			1095-27-128AA	6A-160	1095-U24-350KB	6A-140
1091-U85	10A-340	1095-05	6A-120	1095-27-128KB	6A-160	1095-U24-400AA	6A-140
1091-U86	10A-180	1095-06	6A-120	1095-27-128NA	6A-160	1095-U24-400KB	6A-140
1091-U87	10A-180	1095-07	6A-220	1095-27-160AA	6A-160	1095-U25-250AA	6A-140
1091-U90	10A-180	1095-08	6A-220	1095-27-160KB	6A-160	1095-U25-250KB	6A-140
1091-U95	10A-520	1095-08	6A-240	1095-27-160NA	6A-160	1095-U25-350AA	6A-140
1091-U97	10A-820	1095-09	6A-220	1095-28-116AA	6A-160	1095-U25-350KB	6A-140
1091-U99	10A-620	1095-09	6A-240	1095-28-116KB	6A-160	1095-U25-500AA	6A-140
1091-U105	10A-620	1095-10	6A-220	1095-28-116NA	6A-160	1095-U25-500KB	6A-140
1091-U108	10A-620	1095-10	6A-240	1095-28-116PH	6A-160	1095-U26-200AA	6A-320
1091-U109	10A-620	1095-11	6A-220	1095-28-116PH	8C-320	1095-U26-200NA	6A-320
1091-U110	10A-620	1095-11	6A-240	1095-28-132AA	6A-160	1095-U26-250AA	6A-320
1091-U111	10A-620	1095-12-L	6A-220	1095-28-132KB	6A-160	1095-U26-250NA	6A-320
1091-U112	10A-620	1095-12-L	6A-240	1095-28-132NA	6A-160	1095-U26-300AA	6A-320
1091-U113	10A-620	1095-13	6A-220	1095-28-164AA	6A-160	1095-U26-300NA	6A-320
1091-U114	12A-420	1095-13	6A-240	1095-28-164KB	6A-160	1095-U26-400AA	6A-320
1091-U114-01	12A-420	1095-14	6A-220	1095-28-164NA	6A-160	1095-U26-400NA	6A-320
1091-U115	12A-420	1095-14	6A-240	1095-28-196AA	6A-160	1095-U26-500AA	6A-320
1091-U115-01	12A-420	1095-19	6A-120	1095-28-196KB	6A-160	1095-U26-500NA	6A-320
1091-U116	12A-420	1095-20	6A-220	1095-28-196NA	6A-160	1095-U26-600AA	6A-320
1091-U117	4B-300	1095-21	6A-220	1095-29-120AA	6A-180	1095-U26-600NA	6A-320
1091-U121	10A-420	1095-24-200AA	6A-140	1095-29-120KB	6A-180	1095-U27-200AA	6A-320
1091-U122	10A-640	1095-24-200KB	6A-140	1095-29-180AA	6A-180	1095-U27-200NA	6A-320
1091-U123	10A-640	1095-24-250AA	6A-140	1095-29-180KB	6A-180	1095-U27-250AA	6A-320
1091-U124	10A-640	1095-24-250KB	6A-140	1095-30-120AA	6A-180	1095-U27-250NA	6A-320
1091-U125	10A-640	1095-24-300AA	6A-140	1095-30-120KB	6A-180	1095-U27-300AA	6A-320
1091-U126	10A-640	1095-24-300KB	6A-140	1095-30-180AA	6A-180	1095-U27-300NA	6A-320
1091-U127	10A-640	1095-24-350AA	6A-140	1095-30-180KB	6A-180	1095-U27-400AA	6A-320
1091-U128	10A-640	1095-24-350KB	6A-140	1095-31-200AA	6A-440	1095-U27-400NA	6A-320
1091-U129	10A-640	1095-25-200AA	6A-140	1095-32-200AA	6A-440	1095-U27-500AA	6A-320
1091-U130	10A-640	1095-25-200KB	6A-140	1095-35	6A-120	1095-U27-500NA	6A-320

Part no.	Catalogue page	Part no.	Catalogue page	Part no.	Catalogue page	Part no.	Catalogue page
1095-U27-600AA	6A-320	1095-U35-100PK	6A-190	1103-U26	2A-140	1107-U131	3YB-420
1095-U27-600NA	6A-320	1095-U35-100RA	6A-190	1103-U27	2A-140	1107-U131	3YC-120
1095-U28-200AA	6A-340	1095-U35-200AA	6A-190	1103-U28	2A-140	1107-U132	3YB-420
1095-U28-200NA	6A-340	1095-U35-200PF	6A-190	1103-U29	2A-140	1107-U132	3YC-120
1095-U28-250AA	6A-340	1095-U35-200PK	6A-190	1103-U30	2A-140	1107-U133	3YB-420
1095-U28-250NA	6A-340	1095-U35-200RA	6A-190	1103-U31	2A-140	1107-U133	3YC-120
1095-U28-300AA	6A-340	1095-U36-500AA	6A-210	1103-U32	2A-140	1107-U134	3YB-420
1095-U28-300NA	6A-340	1095-U36-600AA	6A-210	1103-U33	2A-140	1107-U134	3YC-120
1095-U28-400AA	6A-340	1095-U36-800AA	6A-210	1103-U34	2A-140	1107-U135	3YB-420
1095-U28-400NA	6A-340	1095-U37-AA	6A-440	1103-U35	2A-140	1107-U135	3YC-120
1095-U28-500AA	6A-340	1095-U38-125PK	6A-200	1103-U36	2A-140	1107-U158-G	3A-120
1095-U28-500NA	6A-340	1095-U39-200PK	6A-200	1103-U37	2A-140	1107-U159-G	3A-120
1095-U28-600AA	6A-340			1103-U38	2A-140	1107-U164-G	3A-140
1095-U28-600NA	6A-340	1097-U1	12C-160	1103-U39	2A-140	1107-U169-G	3A-120
1095-U29-200AA	6A-340	1097-U2	12C-160	1103-U40	2A-140	1107-U170	3A-120
1095-U29-200NA	6A-340	1097-U5	12C-140			1107-U170	3A-140
1095-U29-250AA	6A-340	1097-U5-PC	8C-520	1105-U1	4A-280	1107-U170	3AB-140
1095-U29-250NA	6A-340	1097-U5-PC	12C-140			1107-U242-25	3YC-140
1095-U29-300AA	6A-340	1097-U6	12C-140	1107-11-03AA	3AB-140	1107-U243-25	3YC-140
1095-U29-300NA	6A-340			1107-53	3A-120	1107-U246	3YB-460
1095-U29-400AA	6A-340	1098-U1	2B-190	1107-53	3A-140	1107-U246	3YC-180
1095-U29-400NA	6A-340	1098-U2	8A-265	1107-53	3AB-140	1107-U246-PH	3YB-460
1095-U29-500AA	6A-340	1099-03	2B-230			1107-U246-PH	3YC-180
1095-U29-500NA	6A-340	1099-U1	2B-230	1107-U1-G	3A-120	1107-U246-PH	8A-790
1095-U29-600AA	6A-340	1099-U4	2B-230	1107-U2-G	3A-120		
1095-U29-600NA	6A-340	1099-U6	2B-230	1107-U5	3YB-420	1108-U35	12B-140
1095-U30-200AA	6A-360			1107-U5	3YC-120	1108-U36	12B-140
1095-U30-200NA	6A-360	1101-03	5A-160	1107-U6	3YB-420	1108-U37	12B-140
1095-U30-250AA	6A-360			1107-U6	3YC-120	1108-U38	12B-140
1095-U30-250NA	6A-360	1102-U1	2A-140	1107-U14-G	3A-220	1108-U52	3XB-120
1095-U30-300AA	6A-360	1102-U2	2A-140	1107-U32-G	3A-120	1108-U52-V	3XB-120
1095-U30-300NA	6A-360	1102-U3	2A-140	1107-U88	3YB-420		
1095-U30-400AA	6A-360	1102-U4	2A-140	1107-U88	3YC-120	1109-09-AA	2B-220
1095-U30-400NA	6A-360	1102-U5	2A-140	1107-U96-G	3A-140	1109-09-AA	3G-320
1095-U30-500AA	6A-360	1102-U6	2A-140	1107-U102-G	3A-120	1109-09-AA	3XB-120
1095-U30-500NA	6A-360	1102-U7	2A-140	1107-U104-G	3A-220	1109-09-AA	3XB-220
1095-U30-600AA	6A-360	1102-U8	2A-140	1107-U112	3YC-120	1109-990	3XC-120
1095-U30-600NA	6A-360	1102-U9	2A-140	1107-U113	3YC-120		
1095-U31-200AA	6A-360	1102-U10	2A-140	1107-U114	3YC-120	1109-U1-N	3XB-120
1095-U31-200NA	6A-360	1102-U11	2A-140	1107-U115	3YC-120	1109-U2-N	3XB-120
1095-U31-250AA	6A-360	1102-U12	2A-140	1107-U116	3YC-120	1109-U3	3XB-120
1095-U31-250NA	6A-360			1107-U117	3YC-120	1109-U4-N	3XB-120
1095-U31-300AA	6A-360	1103-U1	2A-140	1107-U118	3YC-120	1109-U5-N	3B-420
1095-U31-300NA	6A-360	1103-U2	2A-140	1107-U119	3YB-420	1109-U5-N	3XB-120
1095-U31-400AA	6A-360	1103-U3	2A-140	1107-U119	3YC-120	1109-U6-N	3XB-120
1095-U31-400NA	6A-360	1103-U4	2A-140	1107-U120	3YB-420	1109-U7-N	3XB-120
1095-U31-500AA	6A-360	1103-U5	2A-140	1107-U120	3YC-120	1109-U8-N	3XB-120
1095-U31-500NA	6A-360	1103-U6	2A-140	1107-U121	3YB-420	1109-U9-N	3XB-120
1095-U31-600AA	6A-360	1103-U7	2A-140	1107-U121	3YC-120	1109-U10-N	3XB-120
1095-U31-600NA	6A-360	1103-U8	2A-140	1107-U122	3YB-420	1109-U11-N	3XB-120
1095-U32-AA	6A-420	1103-U9	2A-140	1107-U122	3YC-120	1109-U12-N	3XB-120
1095-U32-100IA	6A-420	1103-U10	2A-140	1107-U123	3YB-420	1109-U13-N	3XB-120
1095-U32-100PF	6A-420	1103-U11	2A-140	1107-U123	3YC-120	1109-U14-N	3XB-120
1095-U32-100PF	8C-320	1103-U12	2A-140	1107-U124	3YB-420	1109-U15-N	3XB-120
1095-U32-120IA	6A-420	1103-U13	2A-140	1107-U124	3YC-120	1109-U17-N	3XB-120
1095-U32-120PF	6A-420	1103-U14	2A-140	1107-U125	3YB-420	1109-U18	3XA-120
1095-U32-120PF	8C-320	1103-U15	2A-140	1107-U125	3YC-120	1109-U18-01	3XB-320
1095-U32-180IA	6A-420	1103-U16	2A-140	1107-U126	3YB-420	1109-U19	3XA-120
1095-U32-180PF	6A-420	1103-U17	2A-140	1107-U126	3YC-120	1109-U19-01	3XB-320
1095-U32-180PF	8C-320	1103-U18	2A-140	1107-U127	3YB-420	1109-U20	3XA-120
1095-U33-100AA	6A-420	1103-U19	2A-140	1107-U127	3YC-120	1109-U20-01	3XB-320
1095-U33-200AA	6A-420	1103-U20	2A-140	1107-U128	3YB-420	1109-U21	3XA-120
1095-U33-300AA	6A-420	1103-U21	2A-140	1107-U128	3YC-120	1109-U21-01	3XB-320
1095-U33-400AA	6A-420	1103-U22	2A-140	1107-U129	3YB-420	1109-U22	3XA-120
1095-U33-500AA	6A-420	1103-U23	2A-140	1107-U129	3YC-120	1109-U22-01	3XB-320
1095-U35-100AA	6A-190	1103-U24	2A-140	1107-U130	3YB-420	1109-U23	3XA-120
1095-U35-100PF	6A-190	1103-U25	2A-140	1107-U130	3YC-120	1109-U23-01	3XB-320

Part no.	Catalogue page	Part no.	Catalogue page	Part no.	Catalogue page	Part no.	Catalogue page
1109-U24	3XA-120	1110-39-03	4B-240	1110-U134	4A-145	1121-108-AA	3ZA-1240
1109-U24-01	3XB-320			1110-U134	8B-175	1121-109	3ZC-120
1109-U25	3XA-120	1110-U1	4A-121	1110-U135	4A-145	1121-112	3ZB-220
1109-U25-01	3XB-320	1110-U2	4A-150	1110-U135	8B-175	1121-113	3ZB-220
1109-U26	3XA-120	1110-U3	4A-150	1110-U136	4A-145	1121-115	3ZA-340
1109-U26-01	3XB-320	1110-U4-N	4A-150	1110-U136	8B-175	1121-115-01	3ZA-340
1109-U27	3XA-120	1110-U5-N	4A-150	1110-U137	4A-145	1121-116-01	3ZA-340
1109-U27-01	3XB-320	1110-U5-NPH	4A-150	1110-U137	8B-175	1121-117	3YA-720
1109-U28	3XA-120	1110-U5-NPH	8B-180	1110-U140	4A-139	1121-135	3ZC-170
1109-U28-01	3XB-320	1110-U19	4A-140	1110-U141	4A-160	1121-148	3ZA-605
1109-U29	3XA-120	1110-U20	4A-140	1110-U142	4A-217	1121-149	3ZA-605
1109-U29-01	3XB-320	1110-U21	4A-140				
1109-U30	3XA-120	1110-U22	4A-140	1117-U1	4C-120	1121-U1-C	3YA-160
1109-U30-01	3XB-320	1110-U23	4A-140	1117-U1-PF	4C-120	1121-U1-K	3YA-115
1109-U31	3XA-120	1110-U24	4A-140	1117-U1-PF	8B-520	1121-U11	3B-120
1109-U31-01	3XB-320	1110-U26	4A-450	1117-U2	4C-120	1121-U11	3BA-120
1109-U32	3XA-120	1110-U50	4A-150	1117-U3	4C-120	1121-U11	3G-120
1109-U32-01	3XB-320	1110-U50	8B-165	1117-U4	4C-120	1121-U11	3H-120
1109-U33	3XA-120	1110-U51	4A-150	1117-U4-PC	4C-120	1121-U11	10A-520
1109-U33-01	3XB-320	1110-U51	8B-165	1117-U4-PC	8B-520	1121-U12	3B-120
1109-U34	3XA-120	1110-U52	4A-170	1117-U5	4C-120	1121-U12	3BA-120
1109-U34-01	3XB-320	1110-U53	4A-170	1117-U5-PC	4C-120	1121-U12	3G-120
1109-U35	3XA-120	1110-U66	4A-210	1117-U5-PC	8B-520	1121-U12	3H-120
1109-U35-01	3XB-320	1110-U67	4A-210	1117-U6	4C-130	1121-U12	10A-520
1109-U50	3XA-120	1110-U68	4A-210	1117-U6-01	4C-130	1121-U12-PH	3B-120
1109-U50-01	3XB-320	1110-U69	4A-210	1117-U6-02	4C-130	1121-U12-PH	8A-510
1109-U51	3XA-120	1110-U70	4A-210			1121-U13	3B-120
1109-U51-01	3XB-320	1110-U71	4A-210	1121-18-01	3ZA-1220	1121-U13	3BA-120
1109-U52	3XA-120	1110-U78	4A-220	1121-18-02	3ZA-600	1121-U13	3G-120
1109-U53	3XA-120	1110-U79	4A-220	1121-18-02	3ZA-610	1121-U13	3H-120
1109-U54-N	3XB-120	1110-U80	4A-220	1121-18-02	3ZA-1220	1121-U13	10A-520
1109-U55-N	3XB-120	1110-U81	4A-220	1121-18-02PH	3ZA-1220	1121-U14	3B-120
1109-U58	3XA-120	1110-U82	4A-220	1121-19-N	3ZC-120	1121-U14	3BA-120
1109-U58-01	3XB-320	1110-U83	4A-220	1121-32	3B-120	1121-U14	3G-120
1109-U59	3XB-120	1110-U86	4A-190	1121-32	3BA-120	1121-U14	3H-120
1109-U60	3XB-120	1110-U104	4A-210	1121-32	3BA-210	1121-U14	10A-520
1109-U61	3XB-120	1110-U105	4A-210	1121-32	3G-120	1121-U14-PH	3B-120
1109-U101	3XC-120	1110-U106	4A-210	1121-32	3H-120	1121-U14-PH	8A-510
1109-U103	3XC-120	1110-U107	4A-210	1121-53-P	3ZA-1220	1121-U15	3B-120
1109-U104	3XC-120	1110-U108	4A-210	1121-54-P	3ZA-1220	1121-U15	3BA-120
1109-U105	3XC-120	1110-U109	4A-210	1121-68-01RA	3ZA-260	1121-U15	3G-120
1109-U106	3XC-120	1110-U111	4A-480	1121-68-03RA	3ZA-260	1121-U15	3H-120
1109-U107	3XC-120	1110-U112	4A-460	1121-68-05RA	3ZA-260	1121-U15	10A-520
1109-U108	3XC-120	1110-U113	4A-460	1121-68-07RA	3ZA-260	1121-U16	3B-120
1109-U109	3XC-120	1110-U114	4A-450	1121-70	3ZA-1220	1121-U16	3BA-120
1109-U110	3XC-120	1110-U118	4A-210	1121-70-01	3ZA-1220	1121-U16	3G-120
1109-U111	3XC-120	1110-U119	4A-210	1121-70-04SK	3ZA-1220	1121-U16	3H-120
1109-U112	3XC-120	1110-U120	4A-210	1121-71-01PC	3ZA-220	1121-U16	10A-520
1109-U113	3XC-120	1110-U120-PH	4A-210	1121-71-01RA	3ZA-220	1121-U16-PH	3B-120
1109-U114	3XC-120	1110-U120-PH	8B-180	1121-71-01TA	3ZA-220	1121-U16-PH	8A-510
1109-U115	3XC-120	1110-U121	4A-210	1121-71-03PC	3ZA-220	1121-U17	3B-120
1109-U116	3XC-120	1110-U121-PH	4A-210	1121-71-03RA	3ZA-220	1121-U17	3BA-120
1109-U117	3XC-120	1110-U121-PH	8B-180	1121-71-03TA	3ZA-220	1121-U17	3G-120
1109-U118	3XC-120	1110-U122	4A-215	1121-71-05PC	3ZA-220	1121-U17	3H-120
1109-U119	3XC-120	1110-U123	4A-170	1121-71-05RA	3ZA-220	1121-U17	10A-520
1109-U120	3XC-120	1110-U125	4A-140	1121-71-05TA	3ZA-220	1121-U17-PH	3B-120
1109-U121	3XC-120	1110-U126	4A-215	1121-71-07PC	3ZA-220	1121-U17-PH	8A-510
1109-U122	3XC-120	1110-U127	4A-138	1121-71-07RA	3ZA-220	1121-U18	3B-120
1109-U123	3XC-120	1110-U128	4A-138	1121-71-07TA	3ZA-220	1121-U18	3BA-120
		1110-U129	4A-138	1121-89-11	3ZA-600	1121-U18	3G-120
1110-39	4A-210	1110-U130	4A-138	1121-89-11	3ZA-610	1121-U18	3H-120
1110-39	4A-215	1110-U130-IA	4A-138	1121-89-11	3ZA-610	1121-U18	10A-520
1110-39-01	4A-210	1110-U131	4A-160	1121-89-11	3ZC-120	1121-U19-6	3B-120
1110-39-01	4A-215	1110-U131	8B-170	1121-106	3ZA-600	1121-U19-N6	3B-120
1110-39-02	4A-220	1110-U132	4A-160	1121-106	3ZA-610	1121-U20-6	3B-120
1110-39-02	4B-240	1110-U132	8B-170	1121-106	3ZA-610	1121-U20-N6	3B-120
1110-39-03	4A-220	1110-U133	4A-215	1121-106	3ZC-120	1121-U22-6	3B-120

Part no.	Catalogue page	Part no.	Catalogue page	Part no.	Catalogue page	Part no.	Catalogue page
1121-U22-6PH	3B-120	1121-U139	8A-740	1123-U10-6	3B-180	1125-81-080	3YB-120
1121-U22-6PH	8A-510	1121-U140	3YA-440	1123-U11-6	3B-180	1125-81-080	3YB-140
1121-U23-6	3B-120	1121-U140	8A-760	1123-U12-6	3B-180	1125-81-100	3YB-120
1121-U24	3B-120	1121-U143	10A-520	1123-U13-6	3B-180	1125-81-100	3YB-140
1121-U24	3BA-120	1121-U144-L	3ZB-320	1123-U13-N6	3B-180	1125-81-110	3YB-120
1121-U24	3H-120	1121-U144-L	3ZB-420	1123-U14-6	3B-180	1125-81-110	3YB-140
1121-U25	3YA-820	1121-U145-L	3ZB-820	1123-U14-N6	3B-180	1125-81-120	3YB-120
1121-U26-C	3YA-120	1121-U146-L	3ZB-440	1123-U15-6	3B-180	1125-81-120	3YB-140
1121-U26-K	3YA-110	1121-U147-L	3ZB-540	1123-U15-N6	3B-180	1125-81-020PH	3YB-120
1121-U28-L	3ZB-120	1121-U146-L	3ZB-540	1123-U16-6	3B-180	1125-81-020PH	8A-780
1121-U29-C	3YA-140	1121-U146-L	3ZB-720	1123-U17-6	3B-180	1125-81-020QA	3YB-120
1121-U30-L	3ZB-120	1121-U147-L	3ZB-440	1123-U18-6	3B-180	1125-83-010	3YB-120
1121-U37-C	3YA-160	1121-U145-L	3ZB-520	1123-U19-6	3B-180	1125-83-010	3YB-140
1121-U38-C	3YA-120	1121-U145-L	3ZB-620	1123-U20-6	3B-180	1125-83-015	1C-125
1121-U39-C	3YA-140	1121-U147-L	3ZB-720	1123-U21-6	3B-180	1125-83-015	3YB-120
1121-U40	3YA-820	1121-U148	3ZB-120	1123-U22-6	3B-180	1125-83-015	3YB-140
1121-U51-C	3YA-220	1121-U152	3ZA-1220	1123-U25-6	3B-180	1125-83-020	1C-125
1121-U52-C	3YA-240	1121-U153-C	3YA-160	1123-U26-6	3B-180	1125-83-020	3YB-120
1121-U53-C	3YA-220	1121-U154-C	3YA-160	1123-U27-6	3B-180	1125-83-020	3YB-140
1121-U60-C	3YA-160	1121-U155	3ZA-260	1123-U28-6	3B-180	1125-83-025	3YB-120
1121-U61-C	3YA-160	1121-U155-01	3ZA-1210	1123-U29-6	3B-180	1125-83-025	3YB-140
1121-U62-6	3B-120	1121-U158	3ZA-260	1123-U30-6	3B-180	1125-83-030	3YB-120
1121-U63-6	3B-120	1121-U158-01	3ZA-1210	1123-U31-6	3B-180	1125-83-030	3YB-140
1121-U63-N6	3B-120	1121-U161	3ZA-260	1123-U32-6	3B-180	1125-83-040	3YB-120
1121-U65	3YA-180	1121-U161-01	3ZA-1210	1123-U33-6	3B-180	1125-83-040	3YB-140
1121-U71-N	3ZC-120	1121-U164	3ZA-260	1123-U34-6	3B-180	1125-83-050	3YB-120
1121-U71-PH	3ZC-120	1121-U164-01	3ZA-1210	1123-U34-6	8A-520	1125-83-050	3YB-140
1121-U71-PH	8A-780	1121-U167	3B-120	1123-U34-N6	3B-180	1125-83-060	3YB-120
1121-U72	3B-120	1121-U167	3BA-120	1123-U34-N6	8A-520	1125-83-060	3YB-140
1121-U72	3BA-120	1121-U167	3G-120	1123-U35-6	3B-180	1125-84-010	3YB-120
1121-U72	3G-120	1121-U167	3H-120	1123-U35-6	8A-520	1125-84-010	3YB-140
1121-U74-N	3ZC-120	1121-U168	3B-140	1123-U36-6	3B-180	1125-84-015	1C-125
1121-U76	3ZA-600	1121-U169	3B-120	1123-U36-6	8A-520	1125-84-015	3YB-120
1121-U76	3ZA-610	1121-U169	3BA-120	1123-U37-6	3B-180	1125-84-015	3YB-140
1121-U76	3ZA-1220	1121-U169	3G-120	1123-U37-6	8A-520	1125-84-020	1C-125
1121-U85-C	3YA-120	1121-U169	3H-120	1123-U38-6	3B-180	1125-84-020	3YB-120
1121-U86-C	3YA-120	1121-U170	3ZA-1120	1123-U38-6	8A-520	1125-84-020	3YB-140
1121-U99	3ZA-220	1121-U177-C	3YA-160	1123-U38-N6	3B-180	1125-84-025	3YB-120
1121-U100	3ZA-220	1121-U178-C	3YA-120	1123-U38-N6	8A-520	1125-84-025	3YB-140
1121-U101	3ZA-220	1121-U180-C	3YA-480	1123-U39-6	3B-180	1125-84-030	3YB-120
1121-U105	3ZA-220	1121-U181-C	3YA-480	1123-U39-6	8A-520	1125-84-030	3YB-140
1121-U106	3ZA-220	1121-U187-L	3ZB-200	1123-U40-6	3B-180	1125-84-040	3YB-120
1121-U107	3ZA-220	1121-U188	3YA-840	1123-U40-6	8A-520	1125-84-040	3YB-140
1121-U111	3ZA-220	1121-U189	3ZB-200	1123-U41-6	3B-180	1125-84-050	3YB-120
1121-U112	3ZA-220	1121-U194	3ZA-1210	1123-U41-6	8A-520	1125-84-050	3YB-140
1121-U113	3ZA-220	1121-U19A-6	3B-120	1123-U41-N6	3B-180	1125-84-060	3YB-120
1121-U117	3ZA-220	1121-U22A-6	3B-120	1123-U41-N6	8A-520	1125-84-060	3YB-140
1121-U118	3ZA-220			1123-U42-6	3B-180		
1121-U119	3ZA-220	1122-117	3YA-190	1123-U42-6	8A-520	1125-U51-A	3B-320
1121-U123	3B-120					1125-U53-A	3B-320
1121-U123	3BA-120	1122-U26-K	3YA-190	1125-73	3B-220	1125-U55-A	3B-320
1121-U123	3G-120			1125-81-010	3YB-120	1125-U56-A	3B-320
1121-U123	3H-120	1123-U1-6	3B-180	1125-81-010	3YB-140	1125-U57-A	3B-320
1121-U123	10A-520	1123-U1-N6	3B-180	1125-81-015	3YB-120	1125-U58-A	3B-320
1121-U124-C	3YA-160	1123-U2-6	3B-180	1125-81-015	3YB-140	1125-U59-A	3B-320
1121-U125-C	3YA-120	1123-U2-N6	3B-180	1125-81-020	3YB-120	1125-U60-A	3B-320
1121-U126-C	3YA-220	1123-U3-6	3B-180	1125-81-020	3YB-140	1125-U61-A	3B-320
1121-U132-6	3B-120	1123-U3-N6	3B-180	1125-81-025	3YB-120	1125-U184-A	3B-420
1121-U133-6	3B-120	1123-U4-6	3B-180	1125-81-025	3YB-140	1125-U184-APH	3B-420
1121-U133-6PH	3B-120	1123-U5-6	3B-180	1125-81-030	3YB-120	1125-U184-APH	8A-660
1121-U133-6PH	8A-510	1123-U6-6	3B-180	1125-81-030	3YB-140	1125-U185-A	3B-220
1121-U134-6	3B-120	1123-U7-6	3B-180	1125-81-040	3YB-120	1125-U186-A	3B-220
1121-U135-6	3B-120	1123-U7-N6	3B-180	1125-81-040	3YB-140	1125-U190-A	3B-220
1121-U137	3ZA-1220	1123-U8-6	3B-180	1125-81-050	3YB-120	1125-U190-NA	3B-220
1121-U138	3YA-160	1123-U8-N6	3B-180	1125-81-050	3YB-140	1125-U191-A	3B-220
1121-U138	8A-720	1123-U9-6	3B-180	1125-81-060	3YB-120	1125-U191-NA	3B-220
1121-U139	3YA-120	1123-U9-N6	3B-180	1125-81-060	3YB-140	1125-U191-APH	3B-220

1	Quarter turns
2	Rod controls
3	Locking systems
4	Hinges
5	Gasketing
6	Handles
7	Aluminium windows
8	Stainless steel
9	Latches
10	Air-conditioning
11	EMKA Electronics
12	Miscellaneous

Part no.	Catalogue page	Part no.	Catalogue page	Part no.	Catalogue page	Part no.	Catalogue page
1125-U191-APH	8A-660	1125-U248-A	3B-220	1150-U4-01	3C-120	1150-U17-12	3C-720
1125-U191-AQA	3B-220	1125-U248-NA	3B-220	1150-U4-02	3C-120	1150-U17-13	3C-730
1125-U193-A	3B-220	1125-U249-A	3B-220	1150-U4-03	3C-120	1150-U18	3C-120
1125-U194-A	3B-220	1125-U249-NA	3B-220	1150-U4-11	3C-720	1150-U18-01	3C-120
1125-U195-A	3B-220	1125-U250-A	3B-220	1150-U4-12	3C-720	1150-U18-02	3C-120
1125-U195-NA	3B-220	1125-U250-NA	3B-220	1150-U4-13	3C-730	1150-U18-03	3C-120
1125-U196-A	3B-220	1125-U251-A	3B-220	1150-U9	3C-120	1150-U18-11	3C-720
1125-U196-NA	3B-220	1125-U251-NA	3B-220	1150-U9-01	3C-120	1150-U18-12	3C-720
1125-U198-A	3B-220	1125-U252-A	3B-220	1150-U9-02	3C-120	1150-U18-13	3C-730
1125-U200-A	3B-420	1125-U252-NA	3B-220	1150-U9-03	3C-120	1150-U19	3C-120
1125-U201-A	3B-420	1125-U253-A	3B-220	1150-U9-11	3C-720	1150-U19-01	3C-120
1125-U202-A	3B-220	1125-U253-NA	3B-220	1150-U9-12	3C-720	1150-U19-02	3C-120
1125-U202-NA	3B-220	1125-U254-A	3B-220	1150-U9-13	3C-730	1150-U19-03	3C-120
1125-U203-A	3B-220	1125-U254-NA	3B-220	1150-U10	3C-120	1150-U19-11	3C-720
1125-U203-NA	3B-220	1125-U255-A	3B-220	1150-U10-01	3C-120	1150-U19-12	3C-720
1125-U206-A	3B-220	1125-U255-NA	3B-220	1150-U10-02	3C-120	1150-U19-13	3C-730
1125-U206-NA	3B-220	1125-U256-A	3B-220	1150-U10-03	3C-120	1150-U2*	3C-120
1125-U207-A	3B-220	1125-U256-NA	3B-220	1150-U10-11	3C-720	1150-U20	3C-120
1125-U207-NA	3B-220	1125-U257-A	3B-220	1150-U10-12	3C-720	1150-U20-02	3C-120
1125-U210-A	3B-220	1125-U257-NA	3B-220	1150-U10-13	3C-730	1150-U20-03	3C-120
1125-U210-NA	3B-220	1125-U268-A	3B-220	1150-U11	3C-120	1150-U20-11	3C-720
1125-U211-A	3B-220	1125-U269-A	3B-220	1150-U11-01	3C-120	1150-U20-12	3C-720
1125-U211-NA	3B-220	1125-U275-A	3B-220	1150-U11-02	3C-120	1150-U20-13	3C-730
1125-U212-A	3B-220	1125-U276-A	3B-220	1150-U11-03	3C-120	1150-U21	3C-120
1125-U212-NA	3B-220	1125-U282-A	3B-220	1150-U11-11	3C-720	1150-U21-02	3C-120
1125-U213-A	3B-220	1125-U282-NA	3B-220	1150-U11-12	3C-720	1150-U21-03	3C-120
1125-U213-NA	3B-220	1125-U283-A	3B-220	1150-U11-13	3C-730	1150-U22	3C-120
1125-U214-A	3B-220	1125-U283-NA	3B-220	1150-U12	3C-120	1150-U22-02	3C-120
1125-U214-NA	3B-220	1125-U284	3YB-120	1150-U12-01	3C-120	1150-U22-03	3C-120
1125-U215-A	3B-220	1125-U284-PH	3YB-120	1150-U12-02	3C-120	1150-U23	3C-120
1125-U215-NA	3B-220	1125-U284-PH	8A-780	1150-U12-03	3C-120	1150-U23-02	3C-120
1125-U216-A	3B-220	1125-U285	3YB-120	1150-U12-11	3C-720	1150-U23-03	3C-120
1125-U216-NA	3B-220	1125-U286	3YB-120	1150-U12-12	3C-720	1150-U24	3C-120
1125-U217-A	3B-220	1125-U286	3YB-140	1150-U12-13	3C-730	1150-U24-02	3C-120
1125-U217-NA	3B-220	1125-U286-PH	3YB-120	1150-U13	3C-120	1150-U24-03	3C-120
1125-U218-A	3B-220	1125-U286-PH	8A-780	1150-U13-01	3C-120	1150-U25	3C-120
1125-U218-NA	3B-220	1125-U287	3YB-120	1150-U13-02	3C-120	1150-U25-02	3C-120
1125-U219-A	3B-220	1125-U288	3YB-120	1150-U13-03	3C-120	1150-U25-03	3C-120
1125-U219-NA	3B-220	1125-U289	3B-320	1150-U13-11	3C-720	1150-U26	3C-120
1125-U220-A	3B-220			1150-U13-12	3C-720	1150-U26-02	3C-120
1125-U220-NA	3B-220	1126-S1	4A-510	1150-U13-13	3C-730	1150-U26-03	3C-120
1125-U221-A	3B-220			1150-U14	3C-120	1150-U27	3C-120
1125-U221-NA	3B-220	1130-U1	12A-120	1150-U14-01	3C-120	1150-U27-02	3C-120
1125-U222-A	3B-220	1130-U2	12A-120	1150-U14-02	3C-120	1150-U27-03	3C-120
1125-U222-NA	3B-220	1130-U7	12A-170	1150-U14-03	3C-120	1150-U28	3C-120
1125-U223-A	3B-220	1130-U7-01	12A-170	1150-U14-11	3C-720	1150-U28-02	3C-120
1125-U223-NA	3B-220	1130-U7-V	12A-170	1150-U14-12	3C-720	1150-U28-03	3C-120
1125-U224-A	3B-220	1130-U7-01V	12A-170	1150-U14-13	3C-730	1150-U29	3C-120
1125-U224-NA	3B-220	1130-U9	12A-160	1150-U15	3C-120	1150-U29-02	3C-120
1125-U225-A	3B-220	1130-U13	12A-160	1150-U15-01	3C-120	1150-U29-03	3C-120
1125-U225-NA	3B-220			1150-U15-02	3C-120	1150-U30	3C-120
1125-U236-A	3B-220	1150-B33	3C-160	1150-U15-03	3C-120	1150-U30-02	3C-120
1125-U236-NA	3B-220			1150-U15-11	3C-720	1150-U30-03	3C-120
1125-U239-A	3B-220	1150-U1	3C-120	1150-U15-12	3C-720	1150-U31	3C-120
1125-U239-NA	3B-220	1150-U1-02	3C-120	1150-U15-13	3C-730	1150-U31-01	3C-120
1125-U242-A	3B-220	1150-U1-03	3C-120	1150-U16	3C-120	1150-U31-02	3C-120
1125-U242-NA	3B-220	1150-U2	3C-120	1150-U16-01	3C-120	1150-U31-03	3C-120
1125-U243-A	3B-220	1150-U2-01	3C-120	1150-U16-02	3C-120	1150-U31-11	3C-720
1125-U243-NA	3B-220	1150-U2-02	3C-120	1150-U16-03	3C-120	1150-U31-12	3C-720
1125-U244-A	3B-220	1150-U2-03	3C-120	1150-U16-11	3C-720	1150-U31-13	3C-730
1125-U244-NA	3B-220	1150-U2-11	3C-720	1150-U16-12	3C-720	1150-U32	3C-120
1125-U245-A	3B-220	1150-U2-12	3C-720	1150-U16-13	3C-730	1150-U32-02	3C-120
1125-U245-NA	3B-220	1150-U2-13	3C-730	1150-U17	3C-120	1150-U32-03	3C-120
1125-U246-A	3B-220	1150-U3	3C-120	1150-U17-01	3C-120	1150-U33-03	3C-140
1125-U246-NA	3B-220	1150-U3-02	3C-120	1150-U17-02	3C-120	1150-U33-22	3C-740
1125-U247-A	3B-220	1150-U3-03	3C-120	1150-U17-03	3C-120	1150-U33-13PH	8A-630
1125-U247-NA	3B-220	1150-U4	3C-120	1150-U17-11	3C-720	1150-U33-22PH	8A-630

Part no.	Catalogue page	Part no.	Catalogue page	Part no.	Catalogue page	Part no.	Catalogue page
1150-U34-03	3C-140	1150-U53-PH	8A-634	1160-08-01RA	3ZA-420	1160-U118	3D-220
1150-U34-22	3C-740	1150-U54	3C-780	1160-08-03RA	3ZA-420	1160-U119	3D-220
1150-U34-22PH	8A-630	1150-U55-03	3C-120	1160-08-05RA	3ZA-420	1160-U120	3D-220
1150-U35-03	3C-140	1150-U56	3C-160	1160-08-07RA	3ZA-420	1160-U121	3D-220
1150-U35-22	3C-740	1150-U56-01	3C-160	1160-09-01RA	3ZA-420	1160-U122	3D-220
1150-U35-30	3C-740	1150-U56-V	3C-160	1160-09-03RA	3ZA-420	1160-U123	3D-220
1150-U35-31	3C-740	1150-U56-01V	3C-160	1160-09-05RA	3ZA-420	1160-U124	3D-220
1150-U35-22PH	8A-630	1150-U57	3YC-180	1160-09-07RA	3ZA-420	1160-U125	3D-220
1150-U36-03	3C-140	1150-U57	8A-790			1160-U126	3D-220
1150-U36-22	3C-740	1150-U58	3C-160	1160-U1	3D-120	1160-U127	3D-220
1150-U36-30	3C-740	1150-U58-01	3C-160	1160-U2	3D-120	1160-U128	3D-220
1150-U36-31	3C-740	1150-U58-V	3C-160	1160-U3	3D-120	1160-U129	3D-220
1150-U37-03	3C-140	1150-U58-01V	3C-160	1160-U4	3D-120	1160-U130	3D-220
1150-U37-22	3C-740	1150-U63	1C-130	1160-U9	3D-120	1160-U131	3D-220
1150-U37-30	3C-740	1150-U63-01	3YC-190	1160-U10	3D-120	1160-U132	3D-220
1150-U37-31	3C-740	1150-U63-02	3YC-190	1160-U11	3D-120	1160-U135	3D-220
1150-U37-22PH	8A-630			1160-U12	3D-120	1160-U136	3D-220
1150-U38-03	3C-140	1151-05	3C-420	1160-U13	3D-120	1160-U152	3D-220
1150-U38-22	3C-740	1151-05-01	3C-420	1160-U14	3D-120	1160-U153	3D-220
1150-U38-30	3C-740			1160-U15	3D-120	1160-U154	3D-220
1150-U38-31	3C-740	1151-U1	3C-420	1160-U16	3D-120	1160-U155	3D-220
1150-U38-22PH	8A-630	1151-U3	3C-440	1160-U17	3D-120	1160-U156	3D-220
1150-U39-03	3C-140			1160-U18	3D-120	1160-U157	3D-220
1150-U39-22	3C-740	1152-U1	3C-520	1160-U19	3D-120	1160-U158	3D-220
1150-U39-30	3C-740	1152-U2	3C-520	1160-U20	3D-120	1160-U159	3D-220
1150-U39-31	3C-740	1152-U3	3C-520	1160-U21	3D-120	1160-U160	3D-220
1150-U40-03	3C-140	1152-U4	3C-520	1160-U22	3D-120	1160-U161	3D-220
1150-U40-22	3C-740	1152-U9	3C-540	1160-U23	3D-120	1160-U162	3D-220
1150-U40-30	3C-740	1152-U9-01	3C-540	1160-U24	3D-120	1160-U163	3D-220
1150-U40-31	3C-740	1152-U10	3C-540	1160-U25	3D-120	1160-U164	3D-220
1150-U40-22PH	8A-630	1152-U10-01	3C-540	1160-U26	3D-120	1160-U165	3D-220
1150-U41-03	3C-140	1152-U11	3C-540	1160-U27	3D-120	1160-U166	3D-220
1150-U41-22	3C-740	1152-U11-01	3C-540	1160-U28	3D-120	1160-U200-LI	3D-140
1150-U41-30	3C-740	1152-U12	3C-540	1160-U29	3D-120	1160-U200-RE	3D-140
1150-U41-31	3C-740	1152-U12-01	3C-540	1160-U30	3D-120	1160-U201	3D-140
1150-U41-22PH	8A-630			1160-U31	3D-120	1160-U202	3D-140
1150-U42-03	3C-140	1153-U1	3C-320	1160-U32	3D-120	1160-U203	3D-140
1150-U42-22	3C-740	1153-U2	3C-320	1160-U35	3D-120	1160-U204	3D-140
1150-U42-30	3C-740			1160-U36	3D-120	1160-U235	3D-140
1150-U42-31	3C-740	1154-U1	3C-220	1160-U52	3D-120	1160-U236	3D-140
1150-U42-22PH	8A-630	1154-U2	3C-220	1160-U53	3D-120		
1150-U43-03	3C-140	1154-U2	8A-620	1160-U54	3D-120	1180-08-01RA	3ZA-520
1150-U43-22	3C-740	1154-U3	3C-220	1160-U55	3D-120	1180-08-03RA	3ZA-520
1150-U43-30	3C-740	1154-U4	3C-260	1160-U56	3D-120	1180-08-05RA	3ZA-520
1150-U43-31	3C-740	1154-U4	8A-680	1160-U57	3D-120	1180-08-07RA	3ZA-520
1150-U43-22PH	8A-630	1154-U5	3C-260	1160-U58	3D-120	1180-09-01RA	3ZA-520
1150-U44-03	3C-140	1154-U5	8A-680	1160-U59	3D-120	1180-09-03RA	3ZA-520
1150-U44-22	3C-740	1154-U6	3C-240	1160-U60	3D-120	1180-09-05RA	3ZA-520
1150-U44-30	3C-740	1154-U6-01	3C-240	1160-U61	3D-120	1180-09-07RA	3ZA-520
1150-U44-31	3C-740	1154-U6-02	3C-240	1160-U62	3D-120		
1150-U45-03	3C-140	1154-U6-03	3C-240	1160-U63	3D-120	1180-U1	3E-120
1150-U45-22	3C-740	1154-U6-04	3C-240	1160-U64	3D-120	1180-U2	3E-120
1150-U45-30	3C-740	1154-U6-05	3C-240	1160-U65	3D-120	1180-U3	3E-120
1150-U45-31	3C-740	1154-U6-V	3C-240	1160-U66	3D-120	1180-U4	3E-120
1150-U46-03	3C-140	1154-U6-01V	3C-240	1160-U101	3D-220	1180-U5	3E-120
1150-U46-22	3C-740	1154-U6-02V	3C-240	1160-U102	3D-220	1180-U6	3E-120
1150-U46-30	3C-740	1154-U6-03V	3C-240	1160-U103	3D-220	1180-U7	3E-120
1150-U46-31	3C-740	1154-U6-04V	3C-240	1160-U104	3D-220	1180-U8	3E-120
1150-U46-30PH	8A-632	1154-U6-05V	3C-240	1160-U109	3D-220	1180-U9	3E-120
1150-U46-31PH	8A-632	1154-U11	3C-280	1160-U110	3D-220	1180-U10	3E-120
1150-U50-01	3C-780	1154-U12	3C-280	1160-U111	3D-220	1180-U11	3E-120
1150-U50-02	3C-780			1160-U112	3D-220	1180-U12	3E-120
1150-U50-03	3C-780	1155-U1	3C-620	1160-U113	3D-220	1180-U13	3E-120
1150-U51-02	3C-780	1155-U1-11	3C-750	1160-U114	3D-220	1180-U14	3E-120
1150-U52	3C-780	1155-U2	3C-620	1160-U115	3D-220	1180-U15	3E-120
1150-U52-PH	8A-634	1155-U2-11	3C-750	1160-U116	3D-220	1180-U16	3E-120
1150-U53	3C-780			1160-U117	3D-220	1180-U101	3E-220

Part no.	Catalogue page	Part no.	Catalogue page	Part no.	Catalogue page	Part no.	Catalogue page
1180-U102	3E-220	1190-U23	3F-420	1221-U22	3G-120	1225-U214	3G-220
1180-U103	3E-220	1190-U24	3F-420	1221-U23	3G-120	1225-U215	3G-220
1180-U104	3E-220	1190-U25	3F-420	1221-U133	3G-120	1225-U216	3G-220
1180-U105	3E-220	1190-U26	3F-420	1221-U134	3G-120	1225-U219	3G-220
1180-U106	3E-220	1190-U27	3F-420	1221-U135	3G-120	1225-U220	3G-220
1180-U107	3E-220	1190-U28	3F-420	1221-U19A	3G-120	1225-U221	3G-220
1180-U108	3E-220	1190-U29	3F-420	1221-U22A	3G-120	1225-U222	3G-220
1180-U109	3E-220	1190-U30	3F-420			1225-U224	3G-220
1180-U110	3E-220	1190-U31	3F-420	1223-U1	3G-180	1225-U225	3G-220
1180-U111	3E-220	1190-U32	3F-420	1223-U2	3G-180	1225-U236	3G-220
1180-U112	3E-220	1190-U106	3F-430	1223-U3	3G-180	1225-U239	3G-220
1180-U113	3E-220	1190-U107	3F-430	1223-U4	3G-180	1225-U242	3G-220
1180-U114	3E-220	1190-U206	3F-320	1223-U5	3G-180	1225-U243	3G-220
1180-U115	3E-220	1190-U206-V	3F-320	1223-U6	3G-180	1225-U244	3G-220
1180-U116	3E-220	1190-U209	3F-320	1223-U7	3G-180	1225-U245	3G-220
1180-U200-LI	3E-140	1190-U210	3F-320	1223-U8	3G-180	1225-U246	3G-220
1180-U200-RE	3E-140	1190-U211	3F-320	1223-U9	3G-180	1225-U247	3G-220
1180-U201	3E-320	1190-U212	3F-320	1223-U10	3G-180	1225-U248	3G-220
1180-U301	3E-140	1190-U213	3F-320	1223-U11	3G-180	1225-U249	3G-220
		1190-U214	3F-320	1223-U12	3G-180	1225-U250	3G-220
1185-U1	3E-520	1190-U215	3F-320	1223-U13	3G-180	1225-U251	3G-220
1185-U2	3E-520	1190-U216	3F-320	1223-U14	3G-180	1225-U252	3G-220
1185-U3	3E-540	1190-U217	3F-320	1223-U15	3G-180	1225-U253	3G-220
1185-U4	3E-540	1190-U218	3F-320	1223-U16	3G-180	1225-U254	3G-220
1185-U4-V	3E-540	1190-U219	3F-320	1223-U17	3G-180	1225-U256	3G-220
1185-U5	3E-540	1190-U231	3F-320	1223-U18	3G-180	1225-U257	3G-220
1185-U5-V	3E-540	1190-U306	3F-330	1223-U19	3G-180	1225-U268	3G-220
				1223-U20	3G-180	1225-U269	3G-220
1190-25-01B	3ZA-560	1200-U... 01	7A-120	1223-U21	3G-180	1225-U275	3G-220
1190-25-01B	3ZA-560	1200-U... 02	7A-120	1223-U22	3G-180	1225-U276	3G-220
1190-25-01TA	3ZA-560	1200-U... 03	7A-120	1223-U25	3G-180	1225-U282	3G-220
1190-25-02B	3ZA-560	1200-U... 04	7A-120	1223-U26	3G-180	1225-U283	3G-220
1190-25-02B	3ZA-560	1200-U... 05	7A-120	1223-U27	3G-180	1225-U291	3G-420
1190-25-02TA	3ZA-560	1200-U... 06	7A-120	1223-U28	3G-180		
1190-25-02TA	3ZA-560	1200-U... 07	7A-120	1223-U29	3G-180	1240-U1	3G-520
1190-27-01B	3ZA-560	1200-U... 08	7A-120	1223-U30	3G-180	1240-U2	3G-520
1190-27-01B	3ZA-560	1200-U... 09	7A-120	1223-U31	3G-180		
1190-27-01TA	3ZA-560	1200-U... 10	7A-120	1223-U32	3G-180	1250-U1	12D-520
1190-27-01TA	3ZA-560	1200-U... 11	7A-120	1223-U33	3G-180	1250-U2	12D-520
1190-27-01TA	3ZA-560	1200-U... 12	7A-120			1250-U3	12D-520
1190-27-02B	3ZA-560	1200-U... 13	7A-120	1225-U60	3G-320	1250-U4	12D-540
1190-27-02B	3ZA-560	1200-U... 14	7A-120	1225-U62	3G-320	1250-U5	12D-540
1190-27-02TA	3ZA-560	1200-U... 15	7A-120	1225-U184	3G-220	1250-U6	12D-540
1190-27-02TA	3ZA-560	1200-U... 16	7A-120	1225-U185	3G-220	1250-U7	12D-540
		1200-U... 17	7A-120	1225-U185-01	3G-220		
		1200-U... 18	7A-120	1225-U186	3G-220	1300-U1-BW	7C-120
1190-U1	3F-120			1225-U186-01	3G-220		
1190-U3	3F-220	1210-U...	7B-120	1225-U190	3G-220	1317-U102	3AB-120
1190-U4	3F-220	1210-U...	7B-320	1225-U190-01	3G-220	1317-U102-BO	3AB-120
1190-U5	3F-220			1225-U191	3G-220	1317-U102-HJ	3AB-120
1190-U6	3F-420			1225-U191-01	3G-220	1317-U103	3AB-120
1190-U6-V	3F-420	1210-X...	7B-120	1225-U191-E	3G-220	1317-U103-BO	3AB-120
1190-U7	3F-420	1210-X...	7B-320	1225-U193	3G-220	1317-U103-HJ	3AB-120
1190-U7-V	3F-420			1225-U194	3G-220	1317-U122	3AB-120
1190-U9	3F-420	1215-U1	7B-220	1225-U195	3G-220	1317-U122-BO	3AB-120
1190-U10	3F-420	1215-U1-V	7B-220	1225-U196	3G-220	1317-U122-HJ	3AB-120
1190-U11	3F-420	1215-U2-U78	7B-220	1225-U198	3G-420	1317-U123	3AB-120
1190-U12	3F-420	1215-U2-U322	7B-220	1225-U200	3G-220	1317-U123-BO	3AB-120
1190-U13	3F-420	1215-U2-U323	7B-220	1225-U201	3G-220	1317-U123-HJ	3AB-120
1190-U14	3F-420	1215-U2-U324	7B-220	1225-U202	3G-220	1317-U131	3AB-120
1190-U15	3F-420	1215-U2-U325	7B-220	1225-U203	3G-220	1317-U131-HJ	3AB-120
1190-U16	3F-420	1215-U2-U326	7B-220	1225-U206	3G-220	1317-U151-02	3AB-120
1190-U17	3F-420	1215-U2-U327	7B-220	1225-U207	3G-220	1317-U151-02HJ	3AB-120
1190-U18	3F-420	1215-U2-U328	7B-220	1225-U210	3G-220	1317-U161-02	3AB-120
1190-U19	3F-420	1215-U2-U329	7B-220	1225-U211	3G-220	1317-U161-02HJ	3AB-120
1190-U20	3F-420	1215-U2-U739	7B-220	1225-U212	3G-220	1317-U201	3AB-160
1190-U21	3F-420	1221-U19	3G-120	1225-U213	3G-220	1317-U201-HJ	3AB-160
1190-U22	3F-420	1221-U20	3G-120				

Part no.	Catalogue page	Part no.	Catalogue page	Part no.	Catalogue page	Part no.	Catalogue page
1317-U202	3AB-160	1390-12-07B	3ZA-610	1500-U546	1D-220	2100-U45	3XA-140
1317-U202-HJ	3AB-160			1500-U548	1D-220	2100-U46	3XA-140
1317-U221	3AB-160	1390-U1	3FA-120	1500-U550	1D-220	2100-U47	3XA-140
1317-U221-HJ	3AB-160	1390-U10-01	3ZA-610	1500-U570	1D-220	2100-U48	3XA-140
1317-U222	3AB-160	1390-U10-03	3ZA-610	1500-U572	1D-220	2100-U49	3XA-140
1317-U222-HJ	3AB-160	1390-U10-05	3ZA-610	1500-U574	1D-220	2100-U50	3XA-140
1317-U301	3AB-160	1390-U10-07	3ZA-610	1500-U773	1D-220	2100-U51	3XA-140
1317-U301-BO	3AB-160	1390-U11-01	3ZA-610	1500-U774	1D-220	2100-U53	3XA-140
1317-U302	3AB-160	1390-U11-03	3ZA-610	1500-U776-LIPH	1D-420	2100-U54	3XA-140
1317-U302-BO	3AB-160	1390-U11-05	3ZA-610	1500-U775	1D-220	2100-U56	3XA-240
1317-U321	3AB-160	1390-U11-07	3ZA-610			2100-U57	3XA-140
1317-U321-01	3AB-220			1715-U331	4D-120	2100-U58	3XA-140
1317-U321-BO	3AB-160	1500-01	1D-140	1715-U332	4D-120	2100-U59	3H-320
1317-U322	3AB-160	1500-01-G	1D-140	1715-U333	4D-120		
1317-U322-BO	3AB-160	1500-01-HW	1D-140			2121-U26-C	3YA-520
1317-U401	3AB-140	1500-01-GHW	1D-140	2074-U111-IA	12A-840	2121-U27-C	3YA-520
1317-U401-01	3AB-140	1500-02-10	1D-140	2074-U113-IA	12A-840	2121-U28-C	3YA-420
1317-U403-01	3AB-140	1500-02-15	1D-140	2074-U130-IK	12A-840	2121-U29-C	3YA-420
1317-U406	3AB-140	1500-05-10	1D-220	2074-U132-IK	12A-840		
1317-U406-01	3AB-140	1500-05-10	1D-240	2074-U372-137IK	12A-820	2150-U1	3H-120
1317-U421	3AB-140	1500-05-15	1D-220	2074-U372-156IK	12A-820	2150-U2	3H-120
1317-U421-01	3AB-140	1500-05-15	1D-240			2150-U3	3H-120
1317-U421-02	3AB-220	1500-136-H16	1D-140	2100-B14	3XA-240	2150-U4	3H-160
1317-U423-01	3AB-140	1500-136-H18	1D-140	2100-B15	3XA-240	2150-U4-01	3H-160
1317-U426	3AB-140	1500-136-H22	1D-140	2100-B16	3XA-240	2150-U5	3H-160
1317-U426-01	3AB-140	1500-136-H24	1D-140	2100-B17	3XA-240	2150-U5-01	3H-160
		1500-136-H28	1D-140	2100-B18	3XA-240	2150-U6	3H-160
1321-U1	3BA-120	1500-136-H30	1D-140	2100-B19	3XA-240	2150-U6-01	3H-160
1321-U2	3BA-120	1500-140-H16	1D-140	2100-B20	3XA-240	2150-U7	3H-160
1321-U3	3BA-120	1500-140-H18	1D-140	2100-B21	3XA-240	2150-U7-01	3H-160
1321-U4	3BA-120	1500-140-H22	1D-140	2100-B22	3XA-240	2150-U8	3H-160
		1500-140-H24	1D-140	2100-B23	3XA-240	2150-U8-01	3H-160
		1500-140-H28	1D-140	2100-B24	3XA-240	2150-U9	3H-160
1325-14-01B	3ZA-600	1500-140-H30	1D-140	2100-B25	3XA-240	2150-U9-01	3H-160
1325-14-03B	3ZA-600	1500-140-H30	1D-140	2100-B26	3XA-240		
1325-14-05B	3ZA-600	1500-140-H18HW	1D-140	2100-B27	3XA-240	2153-U3	3H-220
1325-14-07B	3ZA-600	1500-152-H16	1D-140	2100-B28	3XA-240	2153-U4	3H-220
1325-15-01B	3ZA-600	1500-152-H18	1D-140	2100-B29	3XA-240	2153-U5	3H-220
1325-15-03B	3ZA-600	1500-152-H22	1D-140	2100-B30	3XA-240	2153-U6	3H-220
1325-15-05B	3ZA-600	1500-152-H24	1D-140	2100-B31	3XA-240	2153-U7	3H-220
1325-15-07B	3ZA-600	1500-152-H28	1D-140	2100-B32	3XA-240	2153-U8	3H-220
		1500-152-H30	1D-140	2100-B33	3XA-240	2153-U9	3H-220
1325-U1	3BA-220	1500-156-H16	1D-140	2100-B34	3XA-240	2153-U10	3H-220
1325-U1-01	3BA-220	1500-156-H18	1D-140	2100-B36	3XA-240	2153-U11	3H-220
1325-U2	3BA-220	1500-156-H22	1D-140			2200-05	3YA-540
1325-U2-01	3BA-220	1500-156-H24	1D-140	2100-U1	3H-320	2200-06	3YA-540
1325-U3	3BA-220	1500-156-H28	1D-140	2100-U2	3H-320		
1325-U3-01	3BA-220	1500-156-H30	1D-140	2100-U6	3XA-120	2200-U1-C	3YA-540
1325-U4	3BA-220	1500-160-H16	1D-140	2100-U9	3H-420		
1325-U4-01	3BA-220	1500-160-H18	1D-140	2100-U11	3XA-120	2300-04	3ZC-120
1325-U22	3BA-210	1500-160-H22	1D-140	2100-U31	3C-440		
1325-U101	3BA-210	1500-160-H24	1D-140	2100-U31	3F-120	2400-18-01RA	3ZA-580
1325-U101	3BA-220	1500-160-H28	1D-140	2100-U31	3H-320	2400-18-03RA	3ZA-580
1325-U201	3BA-320	1500-160-H30	1D-140	2100-U32	3XA-140	2400-18-05RA	3ZA-580
1325-U202	3BA-320	1500-177-H16	1D-140	2100-U32	3H-420	2400-18-07RA	3ZA-580
1325-U202	3ZA-605	1500-177-H18	1D-140	2100-U33	3XA-140	2400-19-01RA	3ZA-580
1325-U220-01	3ZA-605	1500-177-H22	1D-140	2100-U33	3XA-140	2400-19-03RA	3ZA-580
1325-U220-03	3ZA-605	1500-177-H24	1D-140	2100-U34	3XA-140	2400-19-05RA	3ZA-580
1325-U220-05	3ZA-605	1500-177-H28	1D-140	2100-U35	3XA-140	2400-19-07RA	3ZA-580
1325-U220-07	3ZA-605	1500-177-H30	1D-140	2100-U36	3XA-140		
				2100-U37	3XA-140	2400-U3	3K-220
1390-11-01B	3ZA-610	1500-B156-H28	1D-140	2100-U38	3XA-140	2400-U4	3K-220
1390-11-03B	3ZA-610			2100-U39	3XA-140		
1390-11-05B	3ZA-610	1500-U18	1D-240	2100-U40	3XA-140		
1390-11-07B	3ZA-610	1500-U19	1D-240	2100-U41	3XA-140		
1390-12-01B	3ZA-610	1500-U343	1D-220	2100-U42	3XA-140	2600-12	3ZA-600
1390-12-03B	3ZA-610	1500-U345	1D-220	2100-U43	3XA-140	2600-12	3ZA-610
1390-12-05B	3ZA-610	1500-U347	1D-220	2100-U44	3XA-140		

Part no.	Catalogue page	Part no.	Catalogue page	Part no.	Catalogue page	Part no.	Catalogue page
3000-87	3N-110	6002-U77-PC	9A-160	6007-U692-67PC	9A-300	6010-20-PC	9A-560
3000-87	3N-120					6010-139-Q	9A-560
3000-87	3N-130	6003-U71-Q	9A-180	6008-U364-Q	9A-320	6010-139-KA	9A-560
3000-88	3N-110	6003-U71-PC	9A-180	6008-U365-Q	9A-320	6010-139-PC	9A-560
3000-88	3N-120	6003-U79-Q	9A-180	6008-U365-PC	9A-320	6010-200-Q	9A-560
3000-88	3N-130	6003-U80-Q	9A-180	6008-U865-Q	9A-320	6010-200-KA	9A-560
		6003-U81-Q	9A-200	6008-U865-PC	9A-320	6010-200-PC	9A-560
3000-U102	3N-110	6003-U82-Q	9A-200			6010-241-Q	9A-570
3000-U102	3N-130	6003-U86-PC	9A-200	6010-01-Q	9A-520	6010-243-Q	9A-570
3000-U104-01	3N-110			6010-01-KA	9A-520	6010-261-Q	9A-580
3000-U104-01	3N-120	6004-U17-Q	9A-240	6010-01-PC	9A-520	6010-261-PC	9A-580
3000-U104-01	3N-130	6004-U17-PC	9A-240	6010-01-01KA	9A-520	6010-315-Q	9A-570
3000-U900-21	3N-130	6004-U18-Q	9A-240	6010-01-01PC	9A-520	6010-316-Q	9A-570
3000-U900-22	3N-130	6004-U18-KA	9A-240	6010-02-Q	9A-520	6010-339-Q	9A-640
3000-U900-31	3N-110	6004-U20-Q	9A-240	6010-02-KA	9A-520	6010-690-Q	9A-580
3000-U900-32	3N-110	6004-U20-PC	9A-240	6010-02-PC	9A-520	6010-690-PC	9A-580
3000-U900-41	3N-110	6004-U22-Q	9A-220	6010-02-01KA	9A-520	6010-694-Q	9A-580
3000-U900-42	3N-110	6004-U22-KA	9A-220	6010-02-01PC	9A-520	6010-694-PC	9A-580
3000-U901-31	3N-120	6004-U22-PC	9A-220	6010-03-Q	9A-520	6010-866-Q	9A-580
3000-U901-32	3N-120	6004-U23-Q	9A-220	6010-03-KA	9A-520	6010-866-PC	9A-580
3000-U901-41	3N-120	6004-U23-KA	9A-220	6010-03-PC	9A-520	6010-958-Q	9A-660
3000-U901-42	3N-120	6004-U23-PC	9A-220	6010-04-Q	9A-520	6010-958-PC	9A-660
		6004-U24-Q	9A-220	6010-04-KA	9A-520		
6000-U42-Q	9A-120	6004-U24-KA	9A-220	6010-04-PC	9A-520	6020-U1098-PP	4B-220
6000-U42-KA	9A-120	6004-U24-PC	9A-220	6010-05-Q	9A-540		
6000-U42-PC	9A-120	6004-U25-Q	9A-220	6010-05-KA	9A-540	6040-15-Q	6B-220
6000-U42-01KA	9A-120	6004-U25-KA	9A-220	6010-05-PC	9A-540	6040-15-KA	6B-220
6000-U42-01PC	9A-120	6004-U25-PC	9A-220	6010-06-Q	9A-540	6040-15-PC	6B-220
6000-U43-Q	9A-120	6004-U26-Q	9A-220	6010-06-KA	9A-540	6040-15-01KA	6B-220
6000-U43-KA	9A-120	6004-U26-KA	9A-220	6010-06-PC	9A-540		
6000-U43-PC	9A-120	6004-U27-Q	9A-230	6010-07-Q	9A-540	6040-U12-Q	6B-120
6000-U43-01KA	9A-120	6004-U30-Q	9A-230	6010-07-PC	9A-540	6040-U12-KA	6B-120
6000-U43-01PC	9A-120	6004-U30-KA	9A-230	6010-08-Q	9A-620	6040-U12-01KA	6B-120
6000-U44-Q	9A-120	6004-U31-Q	9A-230	6010-08-KA	9A-620	6040-U13-Q	6B-120
6000-U44-KA	9A-120	6004-U31-KA	9A-230	6010-08-PC	9A-620	6040-U13-PC	6B-120
6000-U44-PC	9A-120	6004-U34-Q	9A-230	6010-08-01KA	9A-620	6040-U14-Q	6B-120
6000-U44-01KA	9A-120	6004-U37-Q	9A-220	6010-08-01PC	9A-620	6040-U14-PC	6B-120
6000-U44-01PC	9A-120	6004-U37-KA	9A-220	6010-09-Q	9A-620	6040-U19-LA	6B-220
6000-U45-Q	9A-120	6004-U517-Q	9A-240	6010-09-KA	9A-620	6040-U23-Q	6B-140
6000-U45-KA	9A-120	6004-U517-PC	9A-240	6010-09-PC	9A-620	6040-U23-PC	6B-140
6000-U45-PC	9A-120	6004-U518-Q	9A-240	6010-09-01KA	9A-620	6040-U24-Q	6B-140
6000-U45-01KA	9A-120	6004-U518-KA	9A-240	6010-09-01PC	9A-620	6040-U24-PC	6B-140
6000-U45-01PC	9A-120			6010-11-Q	9A-540	6040-U33-Q	6B-140
6000-U135-Q	9A-120	6005-U28-Q	9A-260	6010-11-KA	9A-540	6040-U33-PC	6B-140
6000-U135-PC	9A-120	6005-U28-PC	9A-260	6010-11-PC	9A-540	6040-U34-Q	6B-140
6000-U635-Q	9A-120	6005-U200-Q	9A-260	6010-11-01KA	9A-540	6040-U34-PC	6B-140
6000-U635-PC	9A-120	6005-U200-KA	9A-260	6010-11-01PC	9A-540	6040-U35-Q	6B-160
		6005-U200-PC	9A-260	6010-12-Q	9A-620	6040-U35-PC	6B-160
6001-U32-Q	9A-140			6010-12-KA	9A-620	6040-U41-Q	6B-160
6001-U33-Q	9A-140	6006-U10-Q	9A-260	6010-12-PC	9A-620	6040-U41-PC	6B-160
6001-U36-Q	9A-140	6006-U10-PC	9A-260	6010-13-Q	9A-640	6040-U46-Q	6B-180
6001-U139-Q	9A-140	6006-U46-Q	9A-280	6010-13-KA	9A-640	6040-U53-Q	6B-180
6001-U139-KA	9A-140	6006-U47-Q	9A-280	6010-13-PC	9A-640	6040-U53-PC	6B-180
6001-U139-PC	9A-140			6010-14-Q	9A-640	6040-U54-Q	6B-180
		6007-U80-Q	9A-310	6010-14-KA	9A-640	6040-U54-PC	6B-180
6002-U14-Q	9A-160	6007-U80-PC	9A-310	6010-14-PC	9A-640	6040-U80-Q	6B-240
6002-U14-KA	9A-160	6007-U435-Q	9A-310	6010-15-Q	9A-640	6040-U80-PC	6B-240
6002-U14-PC	9A-160	6007-U435-PC	9A-310	6010-16-Q	9A-660	6040-U94-Q	6B-240
6002-U15-Q	9A-160	6007-U689-56Q	9A-300	6010-16-KA	9A-660		
6002-U15-KA	9A-160	6007-U689-56PC	9A-300	6010-16-PC	9A-660	6042-63-Q	6B-320
6002-U15-PC	9A-160	6007-U689-67Q	9A-300	6010-17-Q	9A-660	6042-69-Q	6B-320
6002-U73-Q	9A-160	6007-U689-67PC	9A-300	6010-17-KA	9A-660	6042-69-PC	6B-320
6002-U73-PC	9A-160	6007-U689-77Q	9A-300	6010-17-PC	9A-660	6042-82-Q	9A-680
6002-U74-Q	9A-160	6007-U689-77PC	9A-300	6010-18-Q	9A-560	6042-82-KA	9A-680
6002-U75-Q	9A-160	6007-U689-93Q	9A-300	6010-18-KA	9A-560	6042-82-PC	9A-680
6002-U76-Q	9A-160	6007-U689-93PC	9A-300	6010-18-PC	9A-560	6042-278-Q	6B-320
6002-U77-Q	9A-160	6007-U692-67Q	9A-300	6010-20-Q	9A-560		



Represented worldwide



朝瑞實業(香港)有限公司
BEACON ENTERPRISE CO., LIMITED

EMKA is represented worldwide with its own subsidiaries as well as agencies and offers personal consultancy on the customer's site in more than 50 countries.

Contact data see next page.

Address: SuiteC1, 11/F Bold Win Industrial Building,
16-18 Wah Sing Street, Kwai Chung, Hong Kong.

Tel: +852 3955 0527

Mobile: +852 9718 1860

Fax: +852 2364 3989

E-Mail: Matthew.li@beaconenterpriseco.com

Tel: +852 3955 1360

Mobile: +852 9198 0679

E-Mail: justin@beaconenterpriseco.com